

BED ASSEMBLY INSTRUCTIONS

Assembly requires 2 adults for safety and ease.

PARTS INCLUDED

A



HEADBOARD (1) PC

B



FOOTBOARD (1) PC

C



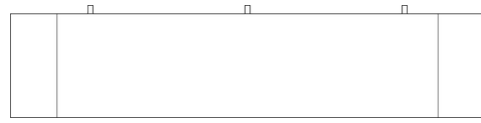
SIDE RAILS (2) PC

D



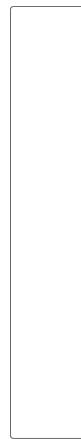
SLATS (3) PC

E



PLATFORM (1) PC

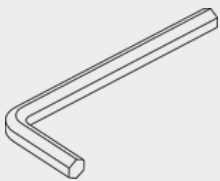
G



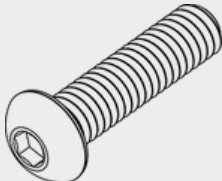
WINGS (2) PC

HARDWARE KIT

**ALLEN KEY
(1) PC**



**SCREWS
(25) PC**



**FLAT
WASHER
(25) PC**



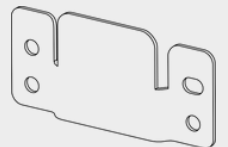
**L BRACKETS
(4) PC**



**WING
BRACKETS
(4) PC**



**WALL
BRACKETS
(2) PC**



⚠ Important Note:

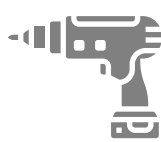
Screws and wall plugs for mounting to the wall are not included, as they must be selected according to your specific wall type (drywall, concrete, brick, etc.). Please ensure you use appropriate fasteners for a secure installation.

2 wall brackets come pre-installed on the back of the headboard. The remaining 2 must be mounted to the wall.
1 screw and 1 flat washer are included as spare. Only 24 are required for assembly.

TOOLS REQUIRED (NOT INCLUDED):



SCREWDRIVER



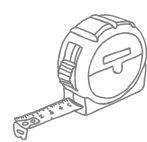
DRILL



SCREWS



WALL PLUGS

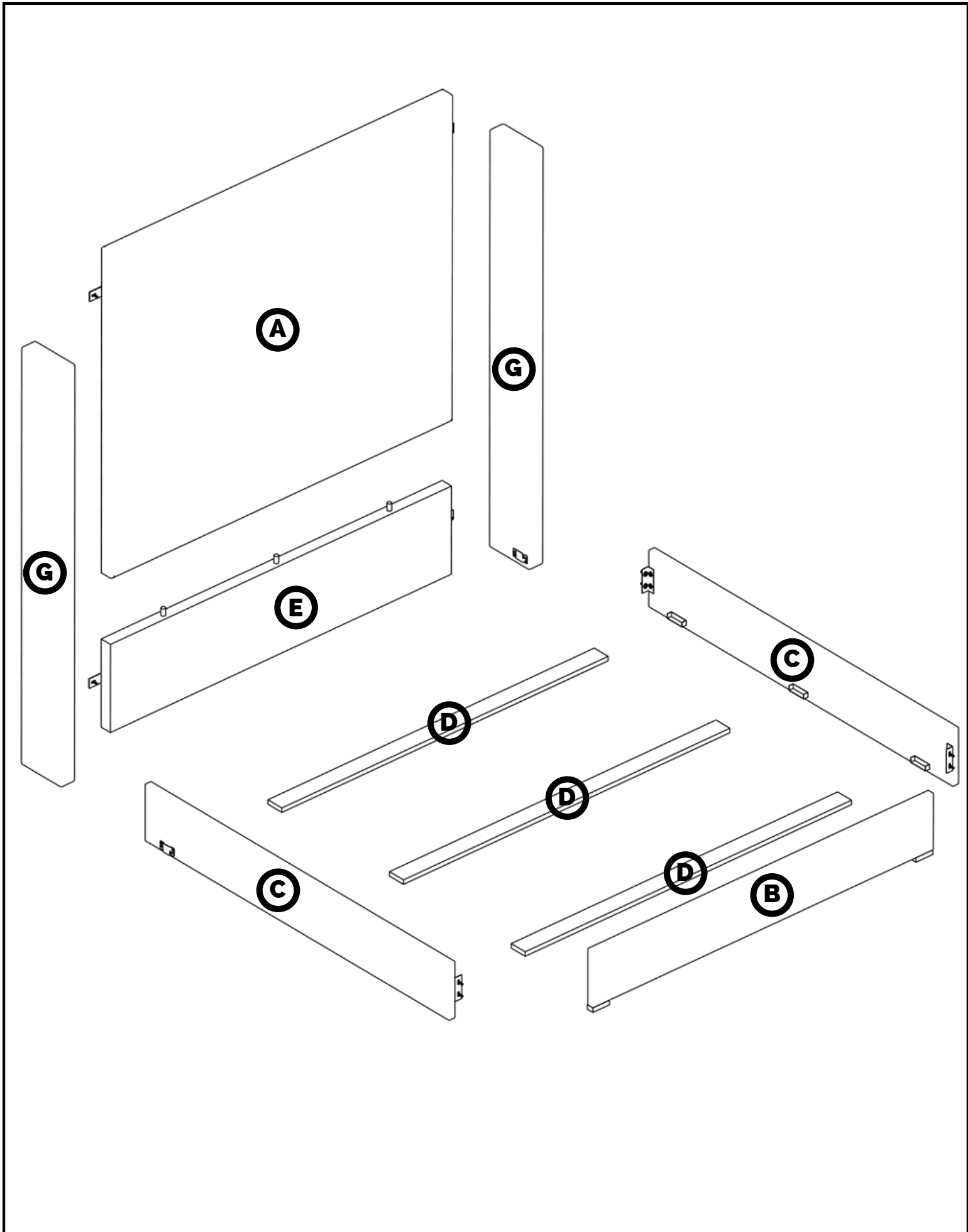


MEASURING TAPE

BED ASSEMBLY INSTRUCTIONS

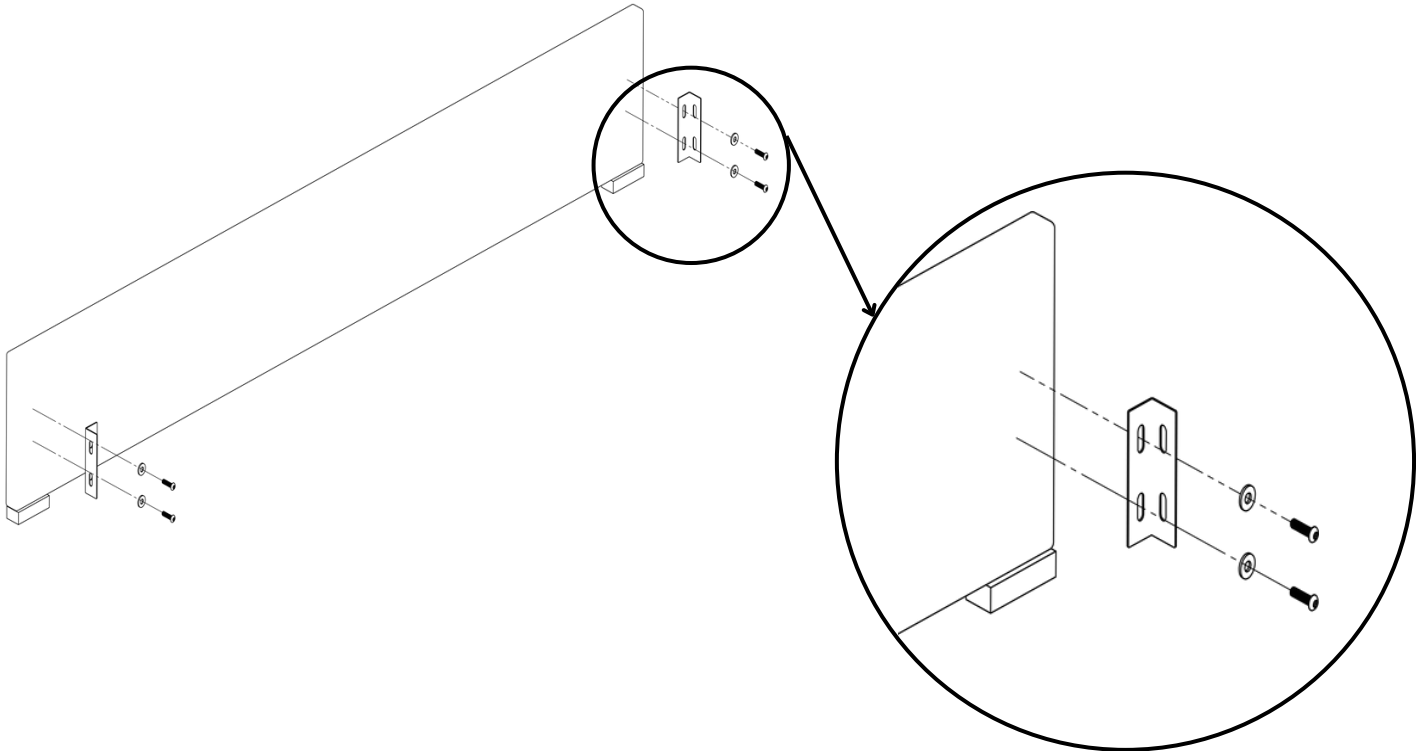
Assembly requires 2 adults for safety and ease.

IDENTIFY ALL THE PARTS INCLUDED LISTED AT THE BEGINNING OF THIS DOCUMENT ACCORDING TO THE MODEL OF YOUR BED.



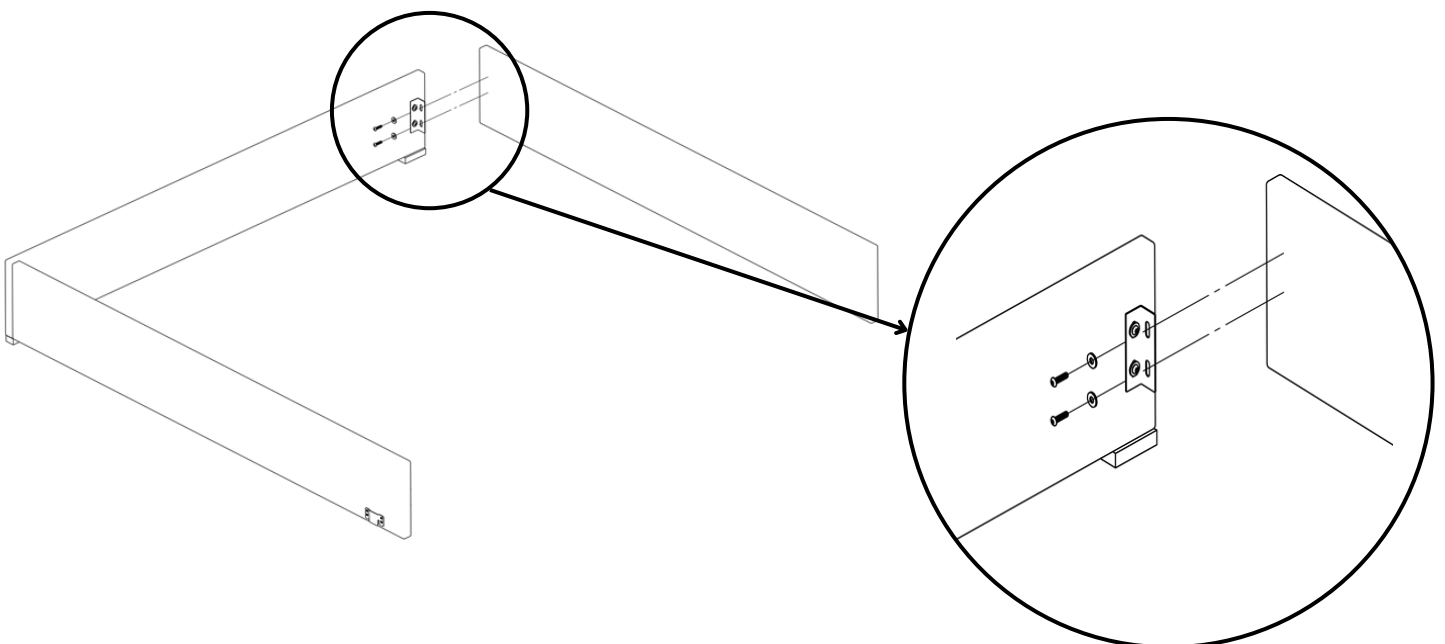
STEP 1 – ATTACH L BRACKETS TO THE FOOTBOARD

- Place the **L brackets** on the inner face of the **footboard (B)**.
- Insert a **flat washer** between the **L bracket** and the **screw**, then tighten using the **Allen key**.



STEP 2 – CONNECT FOOTBOARD TO THE SIDE RAILS

- Align the **L brackets** on the **footboard (B)** with the ends of the **side rails (C)**.
- Insert **screws with flat washers** and tighten securely using the **Allen key**.

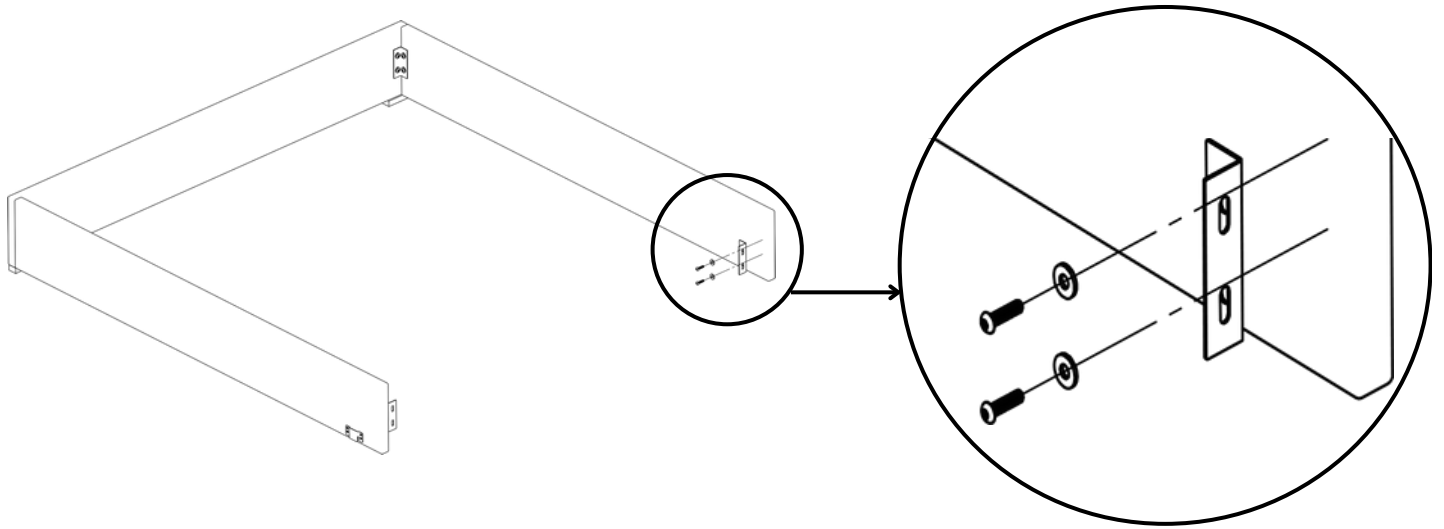


Each side rail (C) has a clip that connects to the headboard panel (E).
These clips must be facing the headboard, not the footboard

STEP 3 – ATTACH L BRACKETS TO THE INNER ENDS OF THE SIDE RAILS

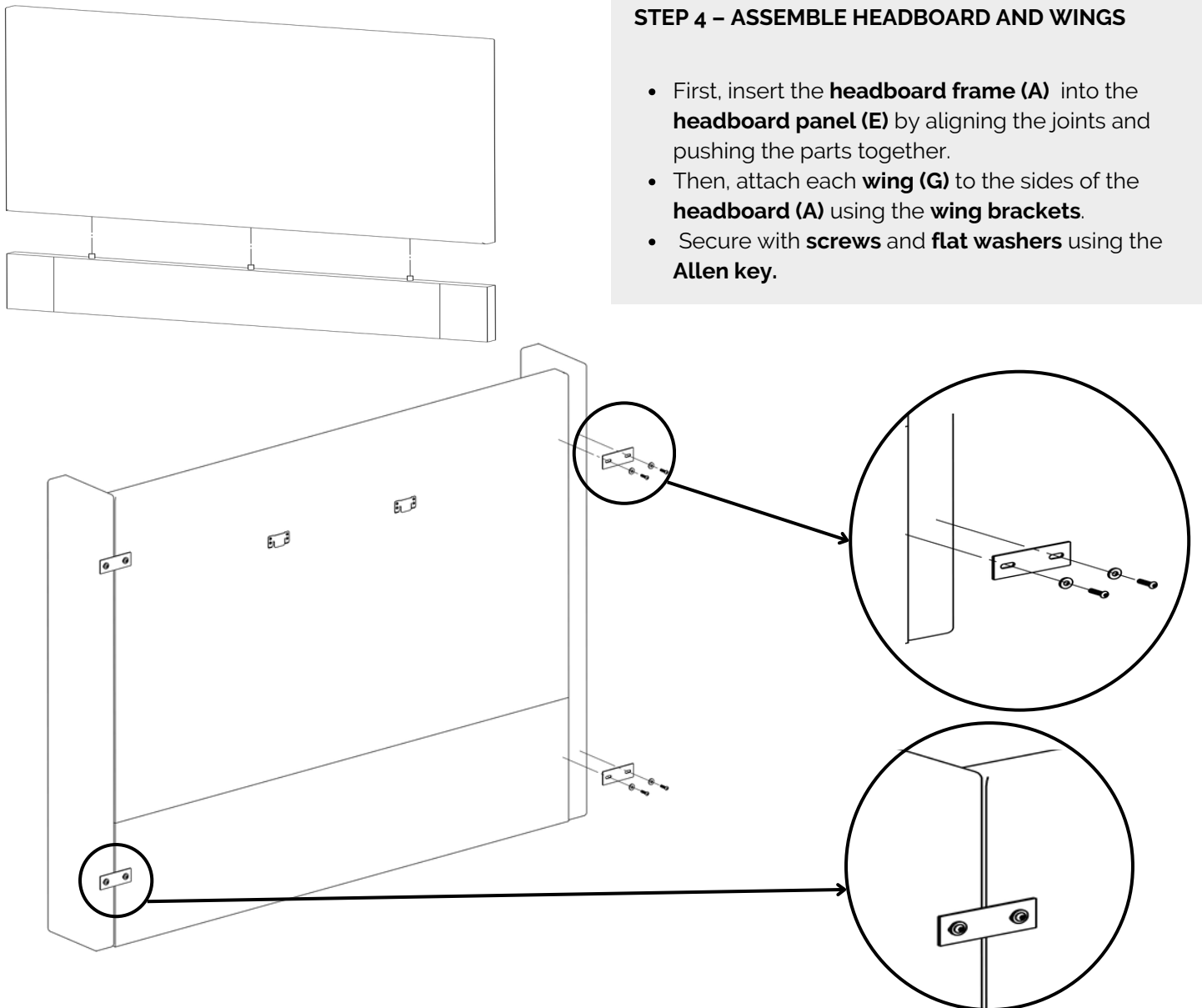
- Place the **L brackets** on the inner ends of each **side rail (C)**.
- Secure each **L bracket** with screws and **flat washer** using the **Allen key**.

Do not attach the headboard yet — it must be assembled first.



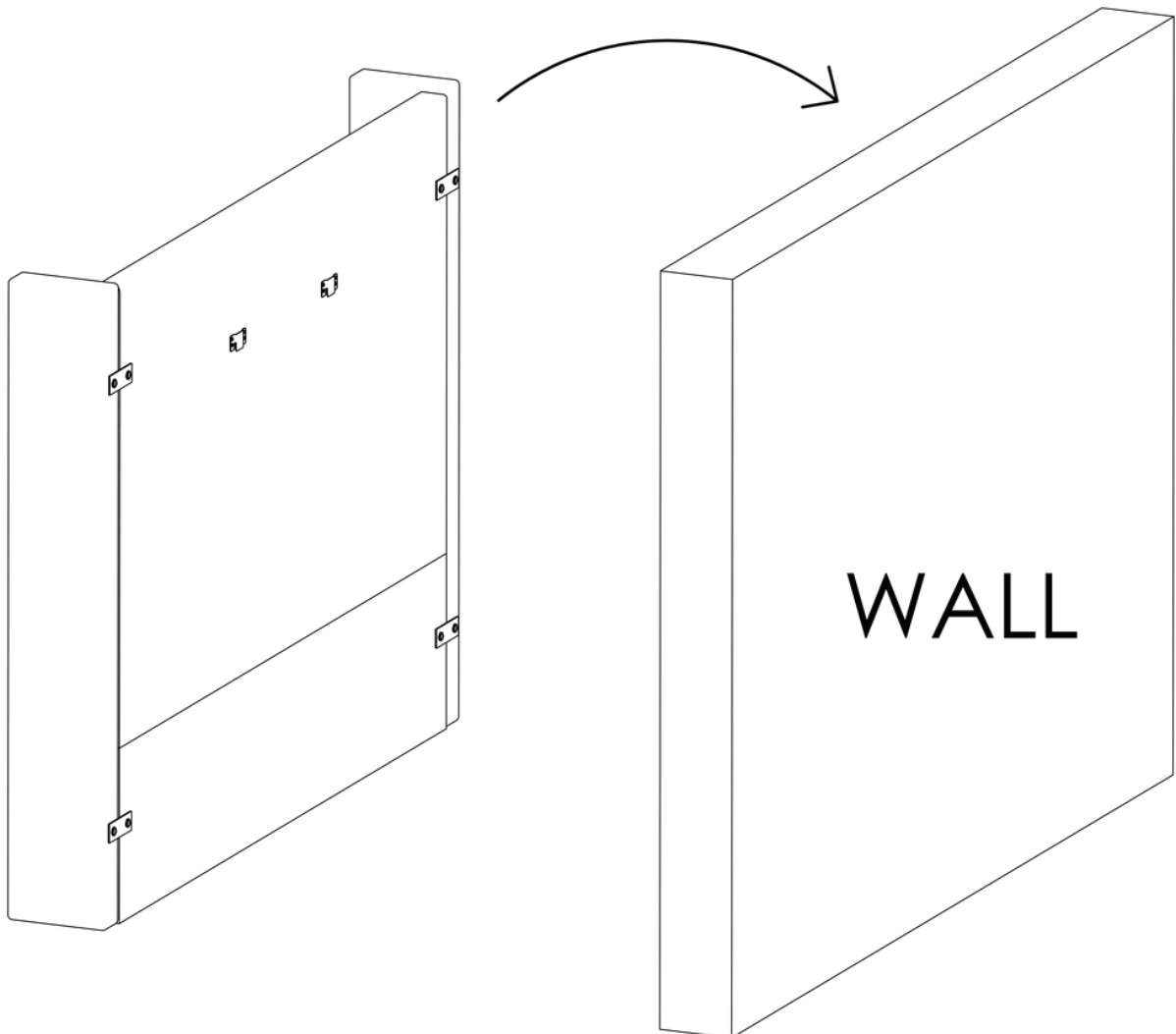
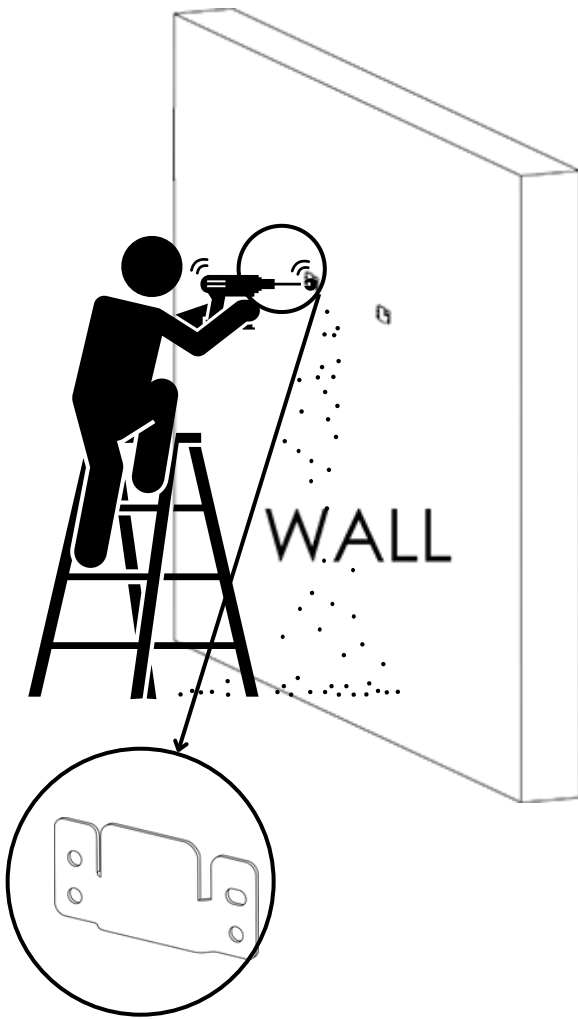
STEP 4 – ASSEMBLE HEADBOARD AND WINGS

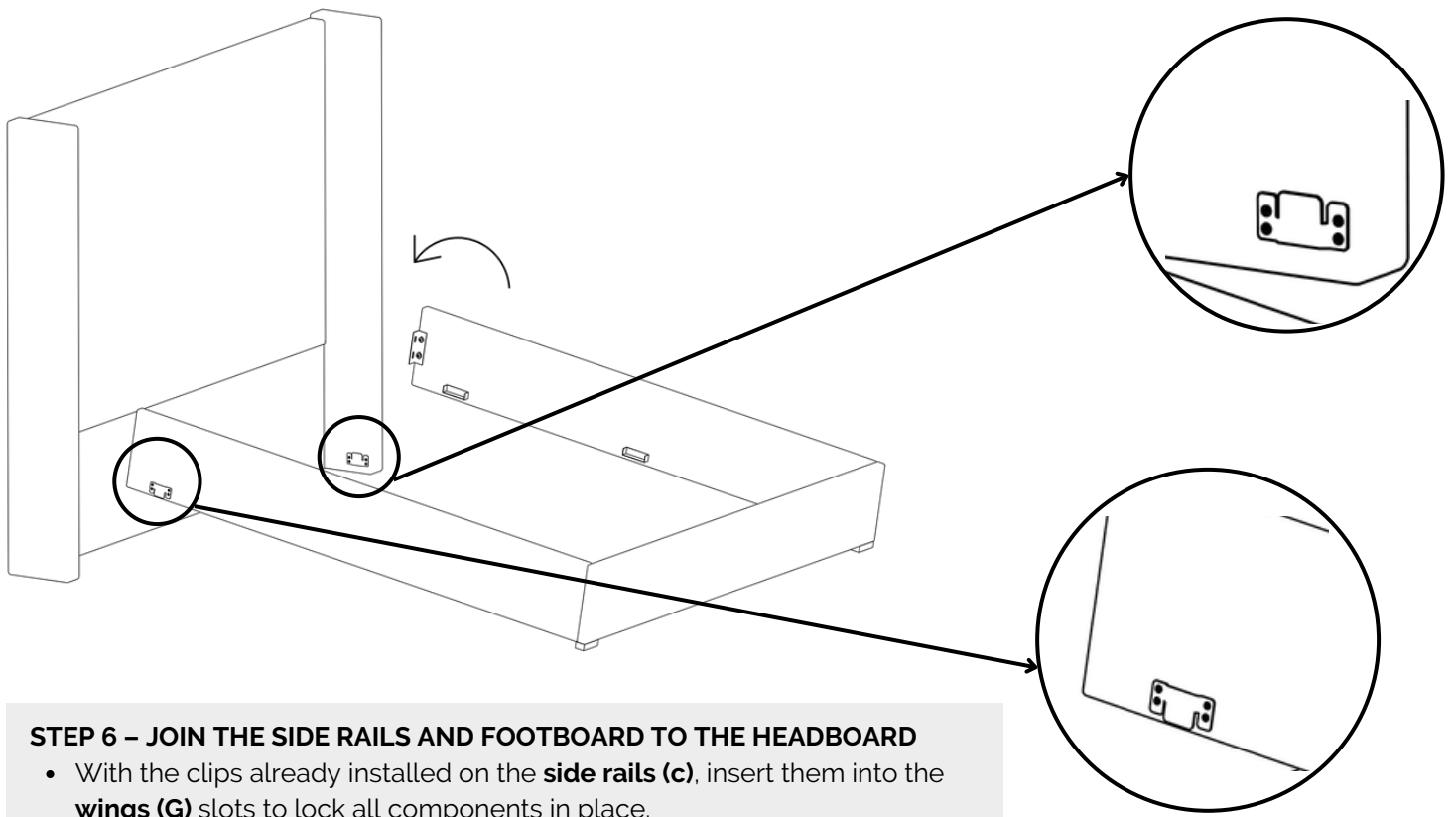
- First, insert the **headboard frame (A)** into the **headboard panel (E)** by aligning the joints and pushing the parts together.
- Then, attach each **wing (G)** to the sides of the **headboard (A)** using the **wing brackets**.
- Secure with **screws** and **flat washers** using the **Allen key**.



STEP 5 - INSTALL WALL BRACKETS

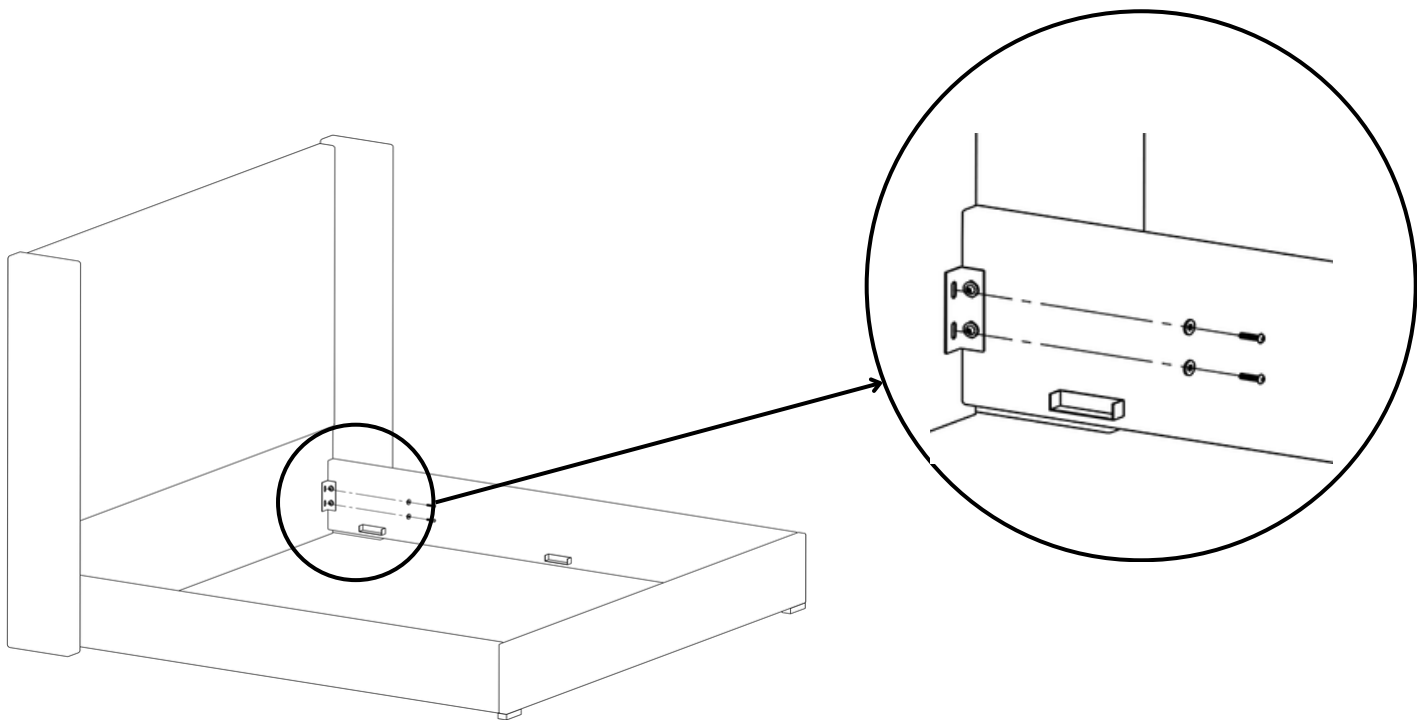
1. On the back of the **headboard (A)**, you will find two **wall brackets** pre-installed. These will align with two separate **wall brackets** that need to be mounted on the wall.
 2. Use a measuring tape and level to determine the correct height and position where the two **wall brackets** should be mounted. Make sure they match the location of the brackets on the **headboard (A)**.
 3. Mark the positions of the holes to be drilled on the wall.
 4. Drill the holes and insert the appropriate wall plugs.
 5. Secure the two **wall brackets** to the wall using screws suitable for your wall type.
 6. Once installed, lift the **headboard (A)** and align the **two wall brackets** on the **headboard (A)** with the ones on the wall.
 7. Carefully hook the **headboard brackets** onto the **wall brackets** to secure it in place.
- ⚠️ Ensure the brackets are properly locked together and the headboard sits firmly before continuing.





STEP 6 – JOIN THE SIDE RAILS AND FOOTBOARD TO THE HEADBOARD

- With the clips already installed on the **side rails (c)**, insert them into the **wings (G)** slots to lock all components in place.



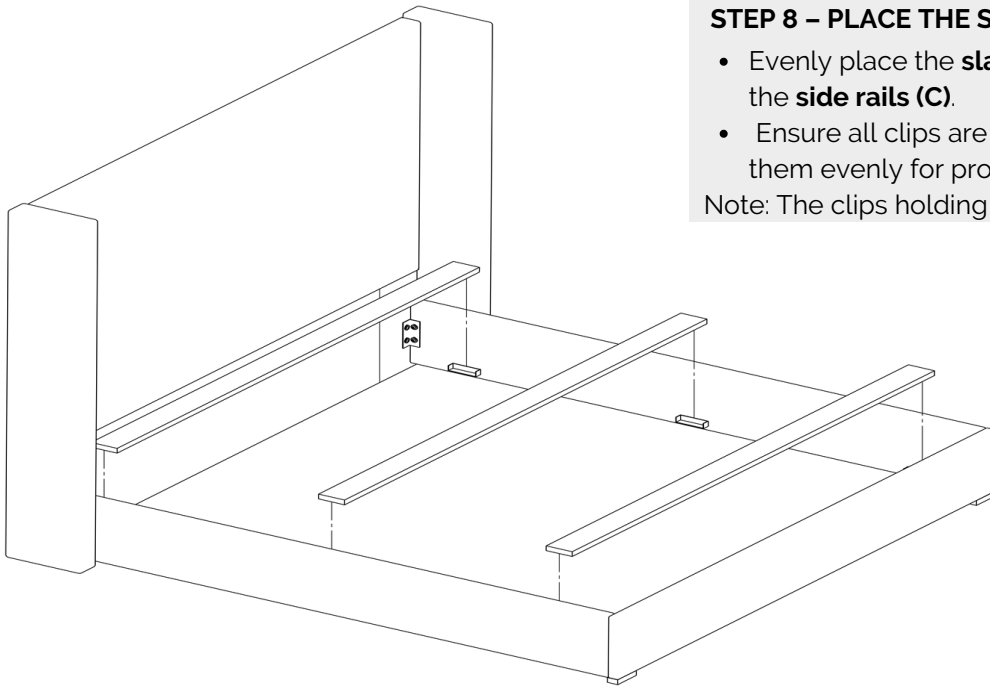
STEP 7 – SECURE THE FINAL L BRACKETS

- Attach the remaining **L brackets** located at the inner ends of the **side rails (C)** to the **panel (E)** behind the **headboard (A)**.
- Secure with **screws** and **flat washers** using the **Allen key**.

STEP 8 – PLACE THE SLATS

- Evenly place the **slats (D)** on the internal supports of the **side rails (C)**.
- Ensure all clips are properly engaged. Distribute them evenly for proper mattress support.

Note: The clips holding the slats are pre-installed.



FOR ADJUSTABLE BEDS

If using an adjustable base:

Remove the **6 brackets** holding the **slats (D)** using a screwdriver.

Do not use the **slats (D)**.