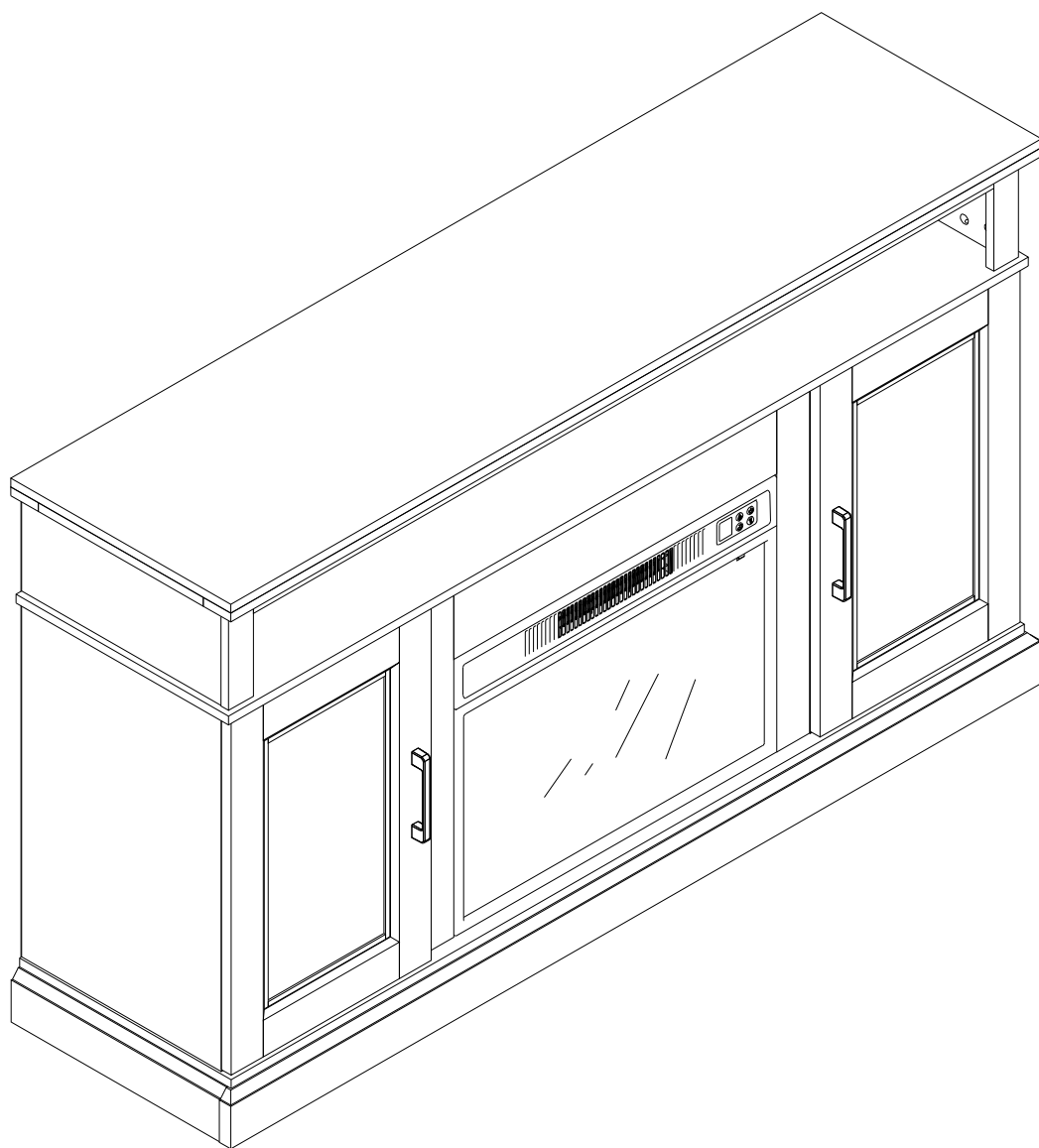
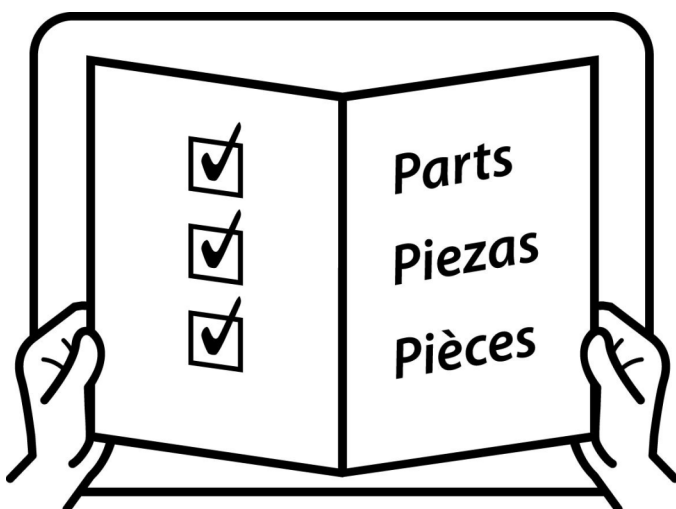
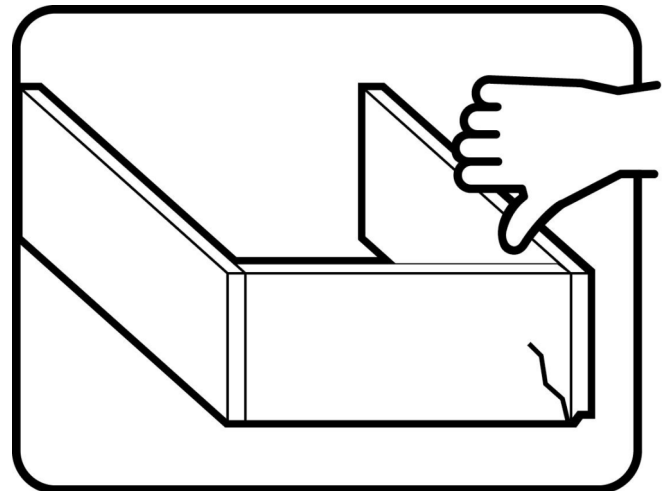
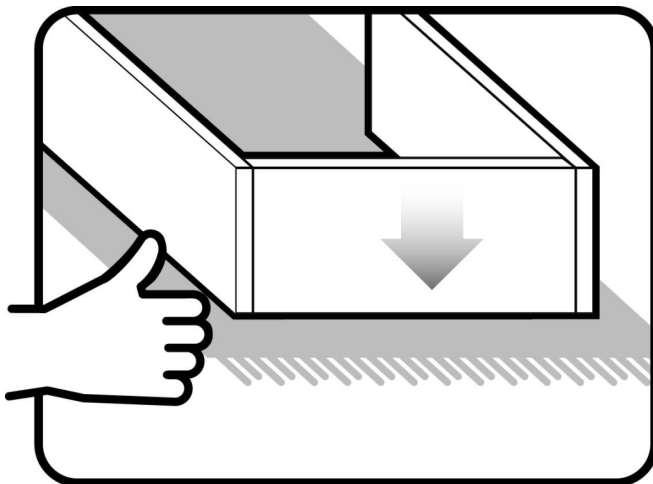
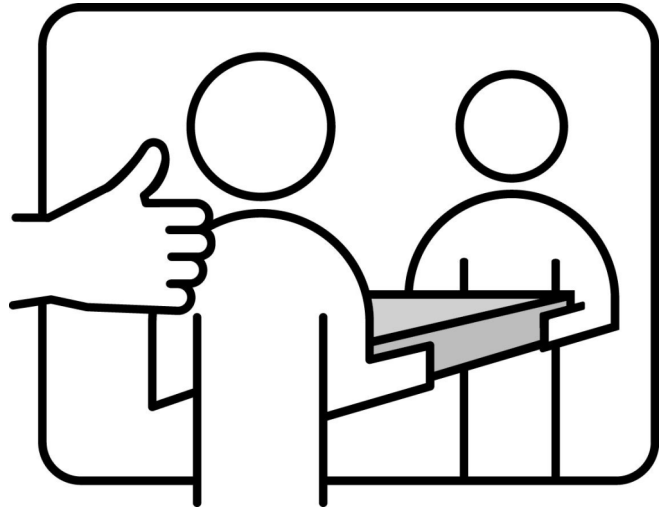
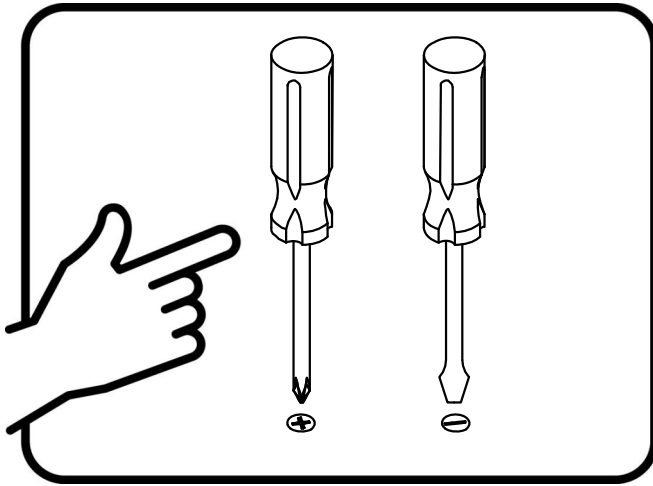


Assembly | Asambla | Assemblage

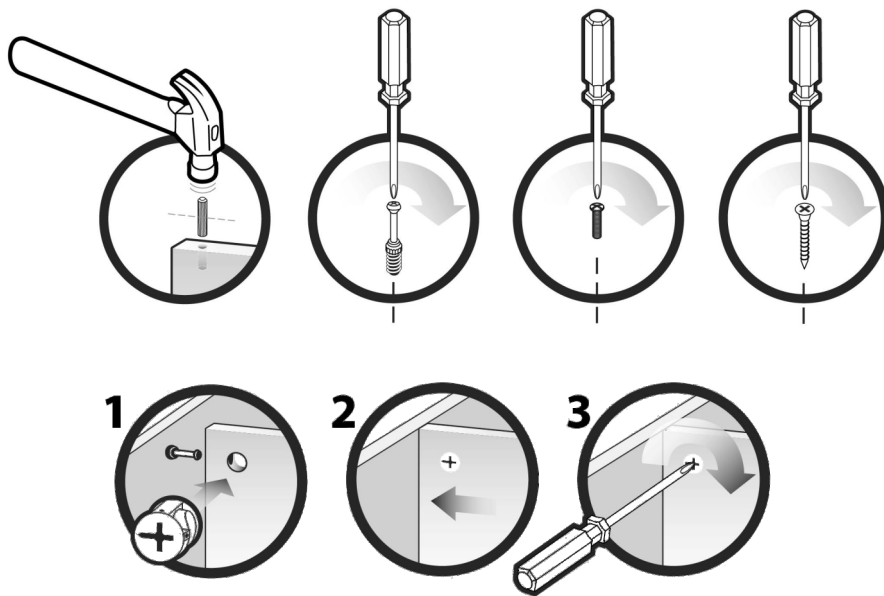


Assembly | Asamblea | Assemblage



Assembly | Asamblea | Assemblage

Techniques | Técnicas | Techniques



Care | Cuidado | Entretien



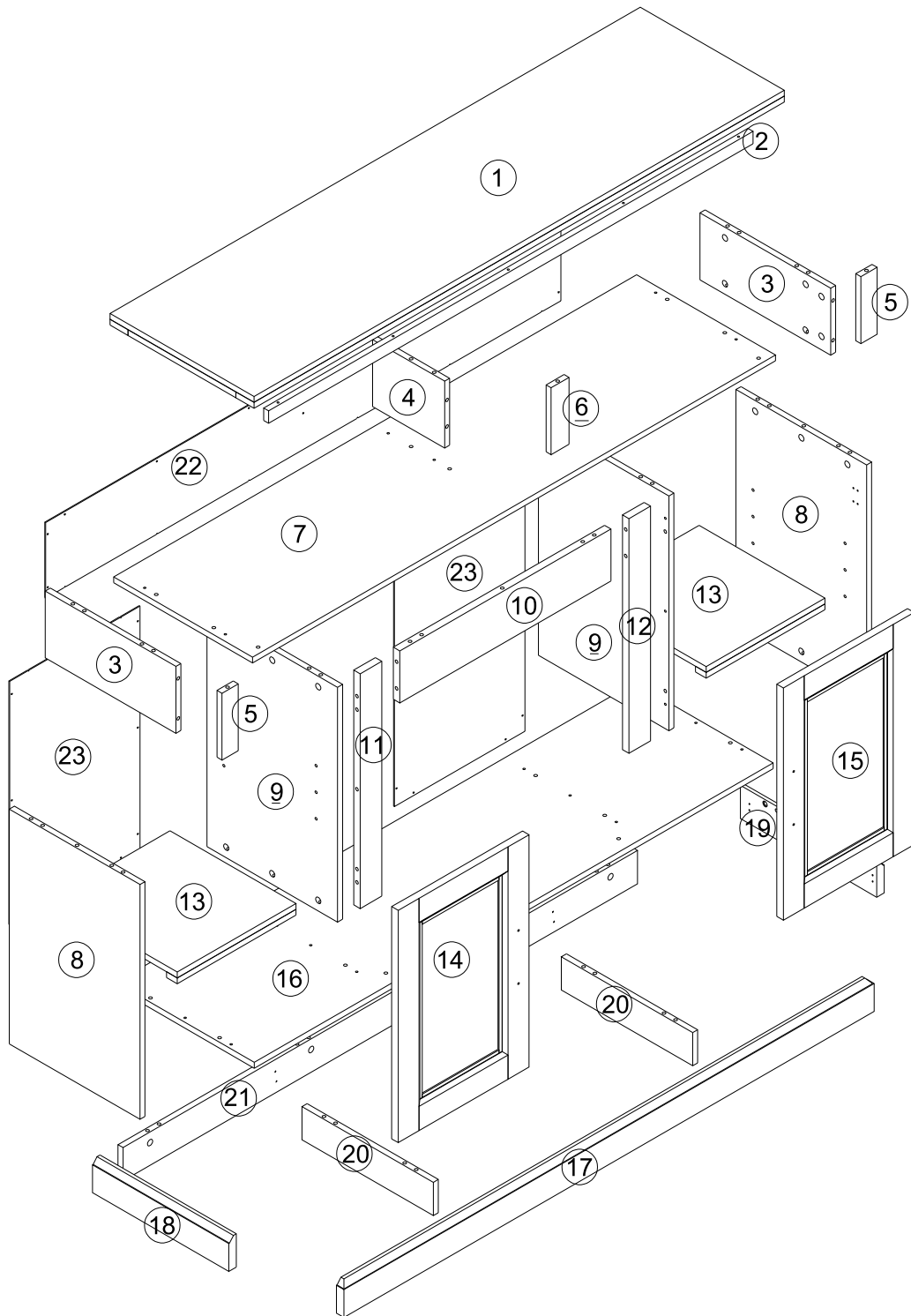
Safety | Seguridad | Sécurité



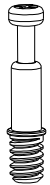
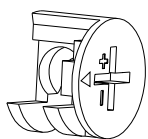


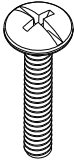
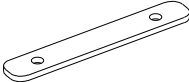

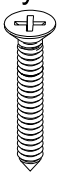

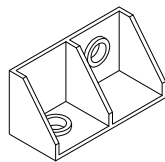

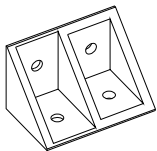

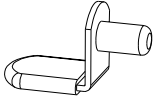
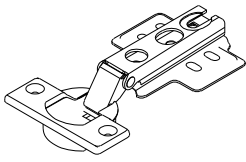
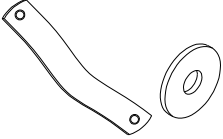
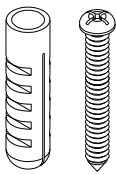
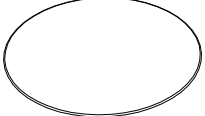
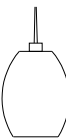
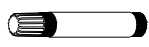
Note! | ¡Nota! | Remarque!



Assembly | Asamblea | Assemblage

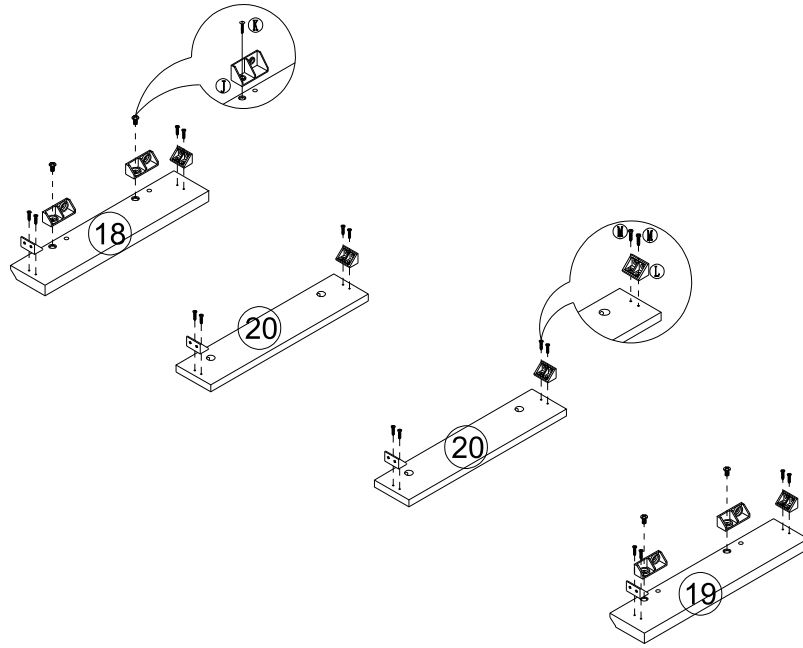


Assembly | Asambla | Assemblage

<p>(A)</p>  <p>59X+2X</p>	<p>(B)</p> <p>Ø15</p>  <p>59X+2X</p>	<p>(C)</p> <p>Ø8x30mm</p>  <p>52X+2X</p>	<p>(D)</p>  <p>2X</p>
<p>Ø5/32"×22mm (E)</p>  <p>4X</p>	<p>(F)</p>  <p>2X</p>	<p>ST3.5×12mm (G)</p> <p>Silvery</p>  <p>28X+2X</p>	<p>ST3.9×40mm (H)</p> <p>Silvery</p>  <p>5X</p>
<p>Ø3.5x16mm (I)</p>  <p>33X+2X</p>	<p>(J)</p> <p>58*29*29</p>  <p>8X</p>	<p>(K)</p> <p>Ø1/4"×12mm</p>  <p>16X</p>	<p>(L)</p> <p>32*19*19mm</p>  <p>8X</p>
<p>ST3.9×15mm (M)</p> <p>Silvery</p>  <p>32X+2X</p>	<p>(N)</p>  <p>8X</p>	<p>(O)</p>  <p>4X</p>	<p>(P)</p>  <p>2X+4X</p>
<p>(Q)</p>  <p>2X+2X</p>	<p>(R)</p>  <p>59X</p>	 <p>1X</p>	 <p>1X</p>

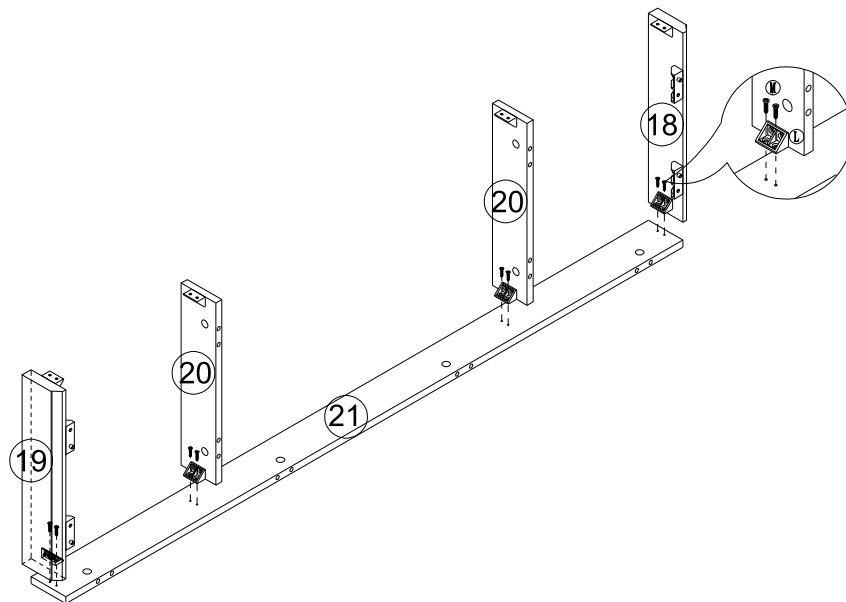
Assembly | Asambla | Assemblage

Step 1



J		4
K		4
L		8
M		16

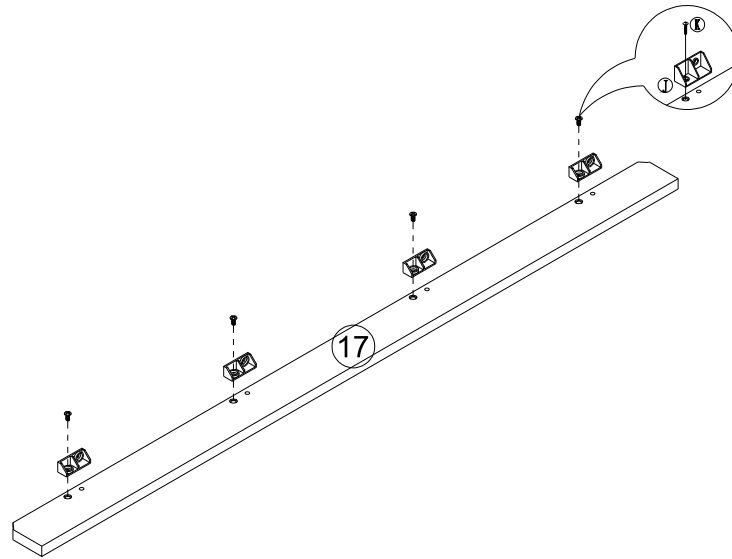
Step 2



M		8
---	--	---

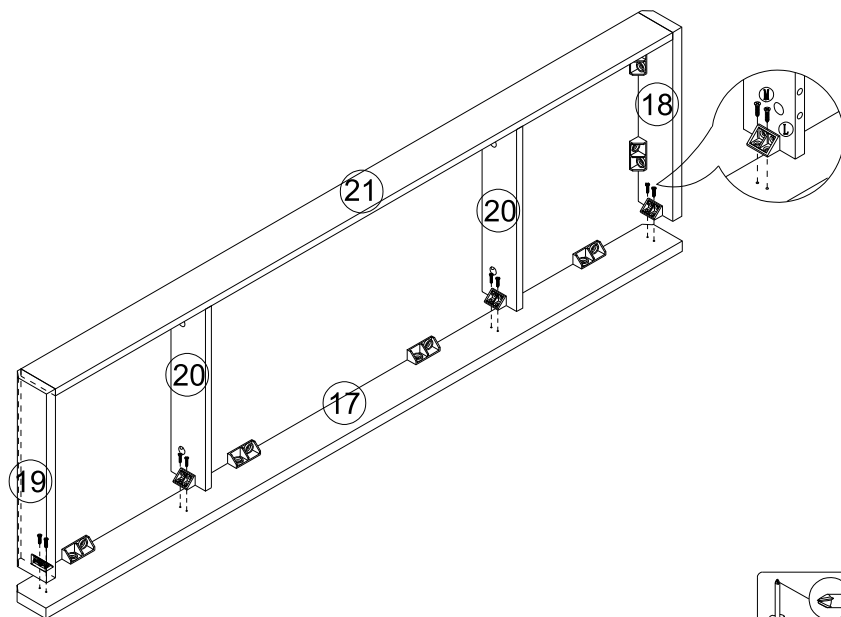
Assembly | Asambla | Assemblage

Step 3



J		4
K		4

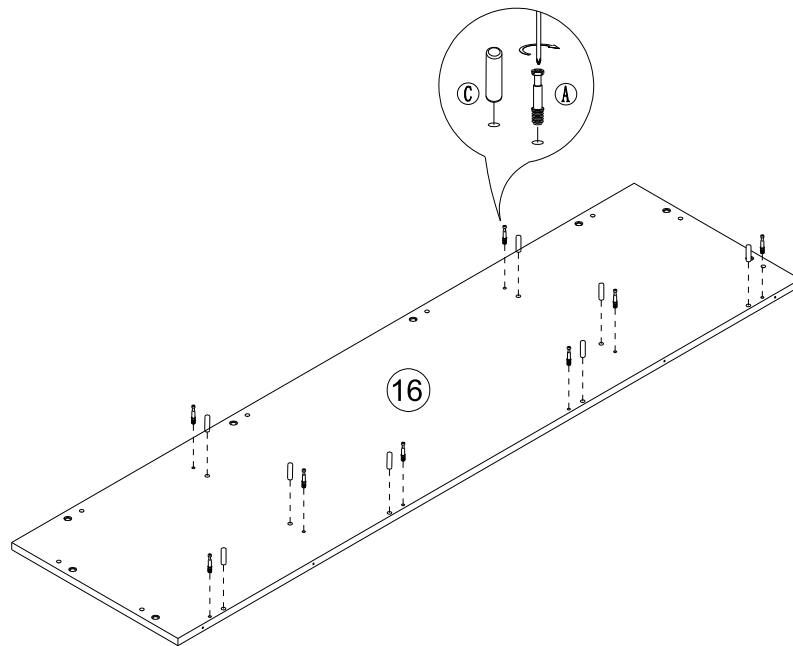
Step 4



M		8
---	--	---

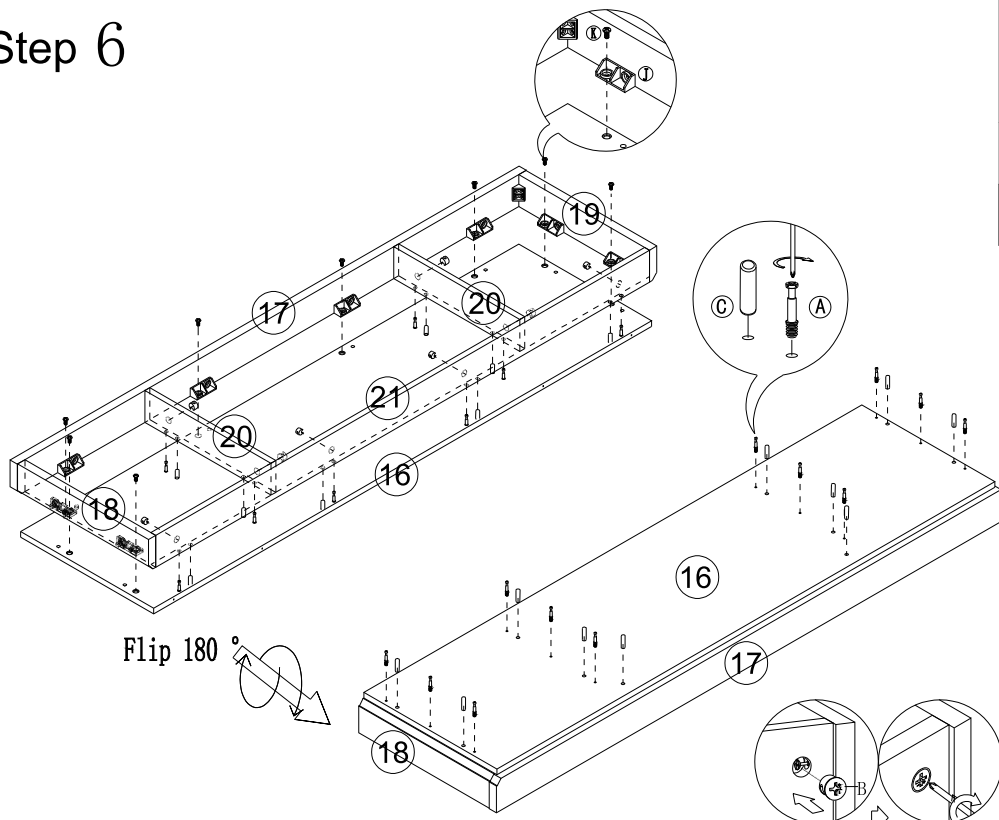
Assembly | Asambla | Assemblage

Step 5



A		8
C		8

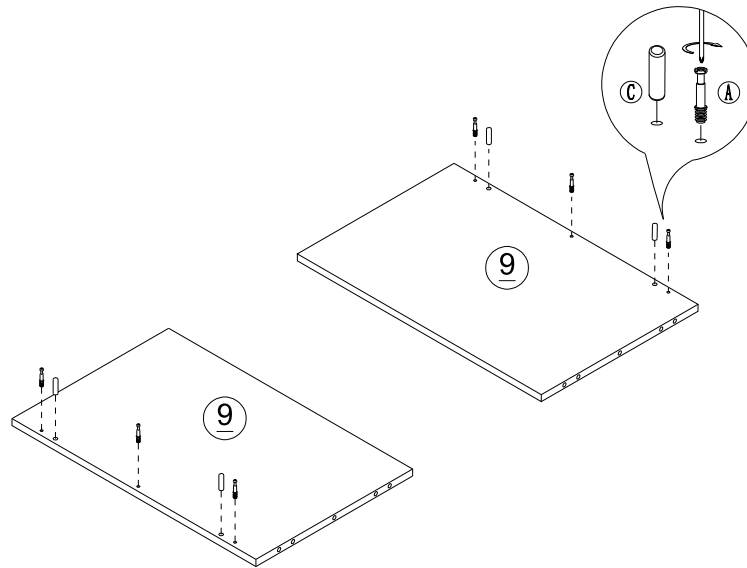
Step 6



A		12
C		10
K		8
B		8

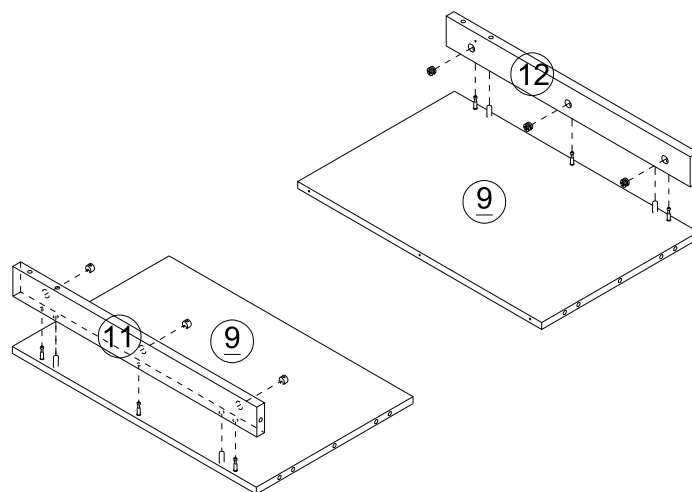
Assembly | Asambla | Assemblage

Step 7

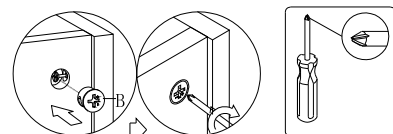


A		6
C		4

Step 8




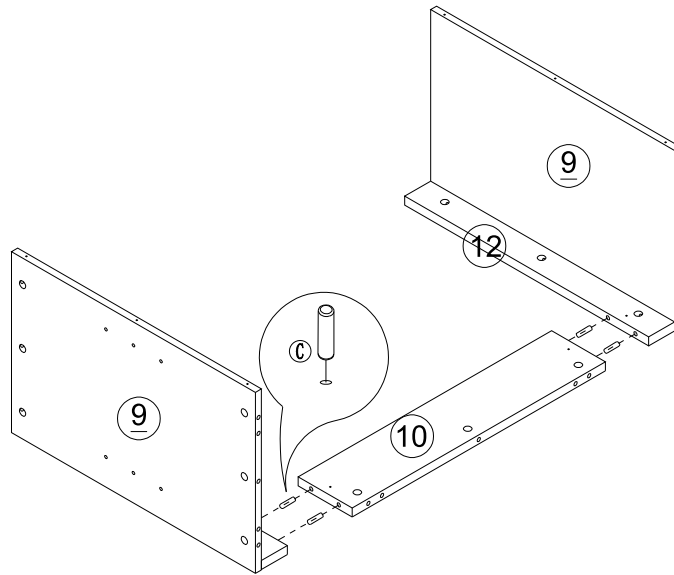
B		6
---	--	---





Assembly | Asambla | Assemblage

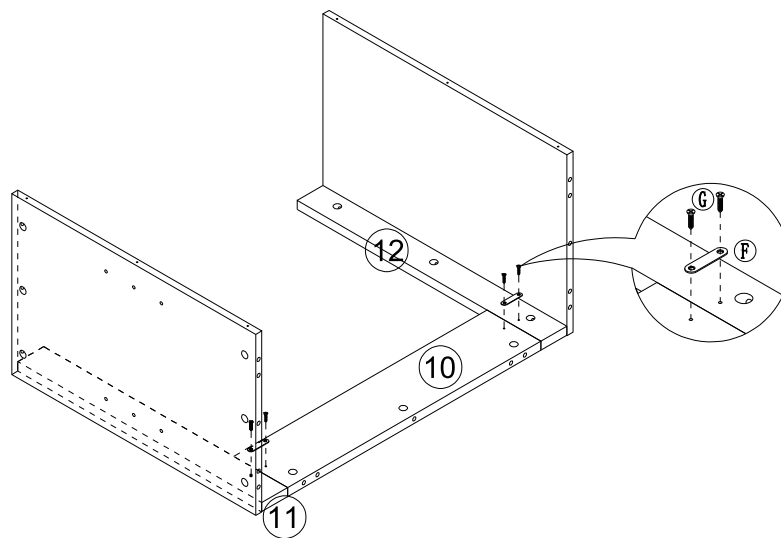
Step 9

C		4
---	---	---




Step 10

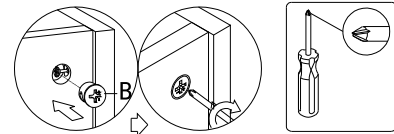
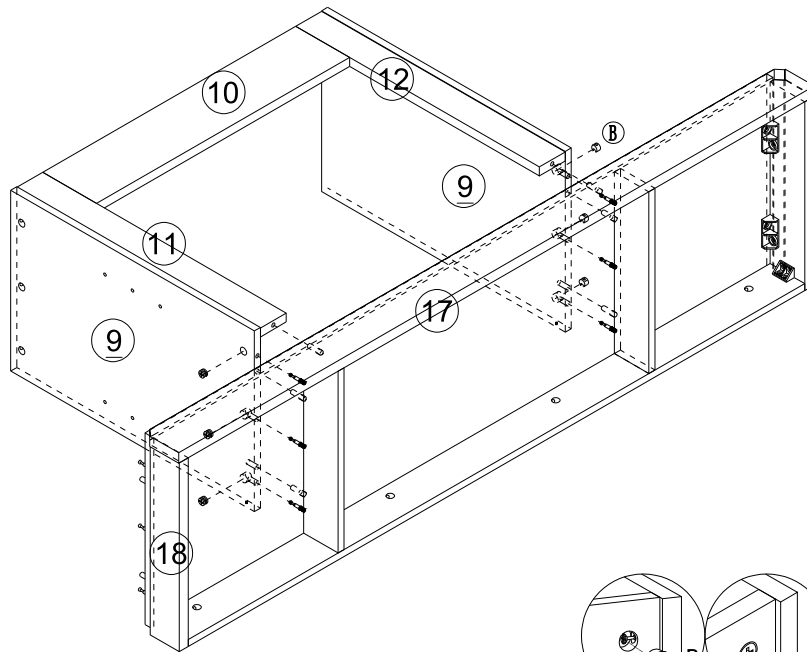
F		2
G		4




Assembly | Asambla | Assemblage

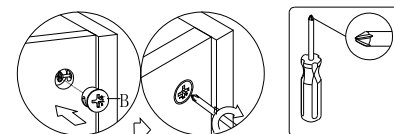
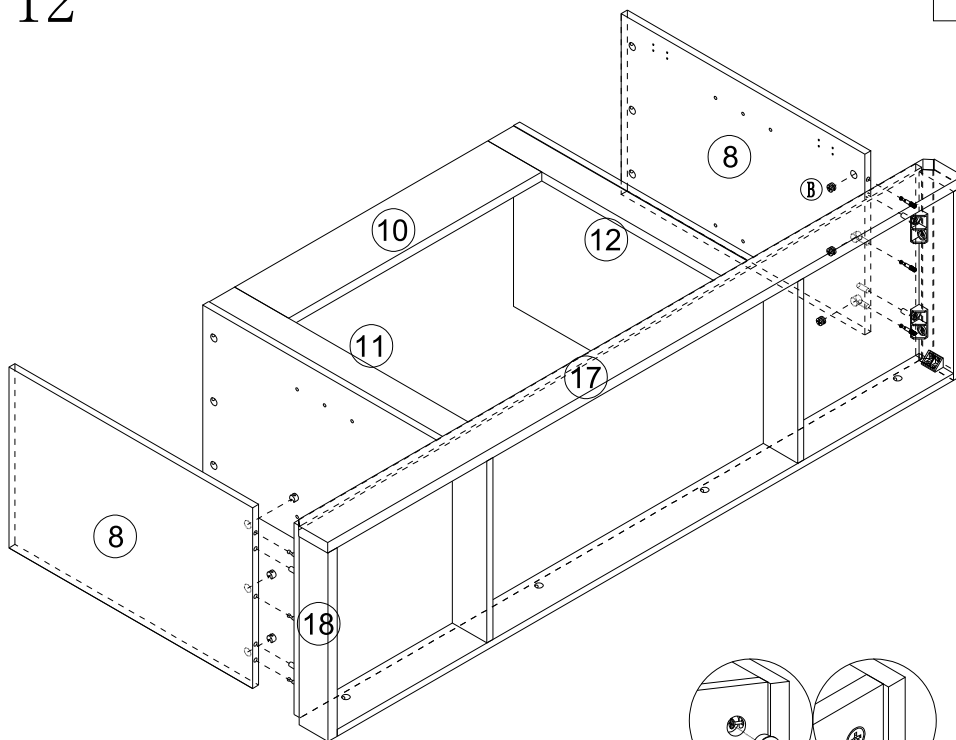
Step 11

B  6



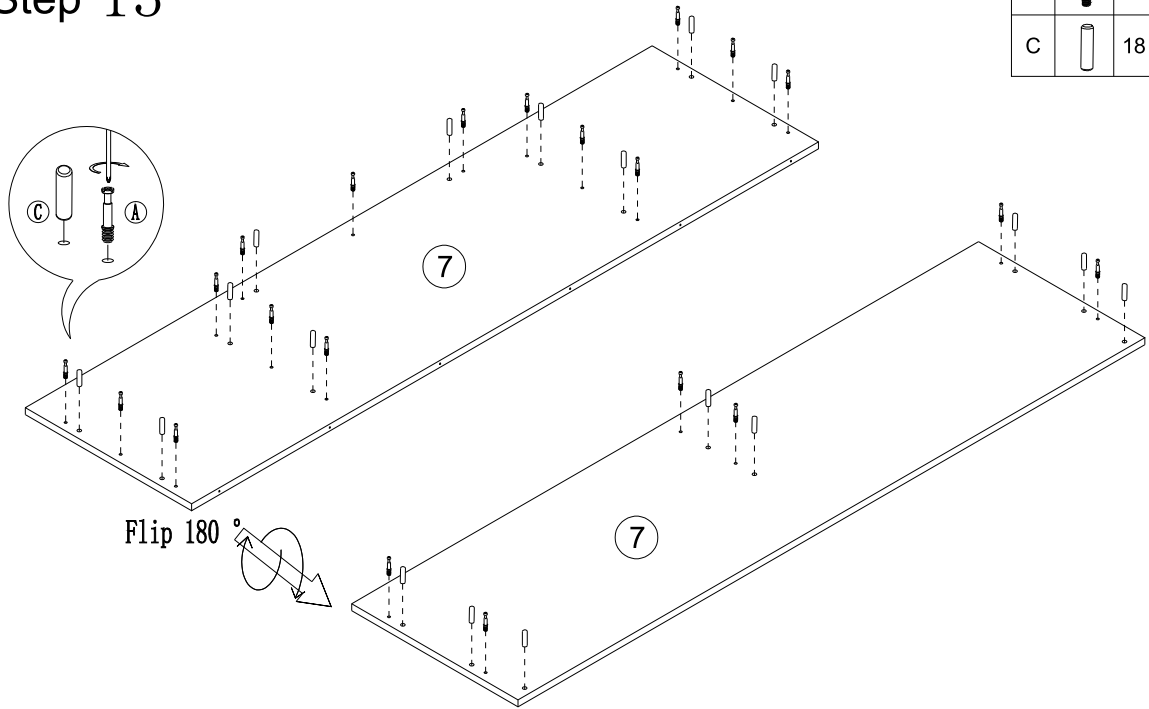
Step 12

B  6

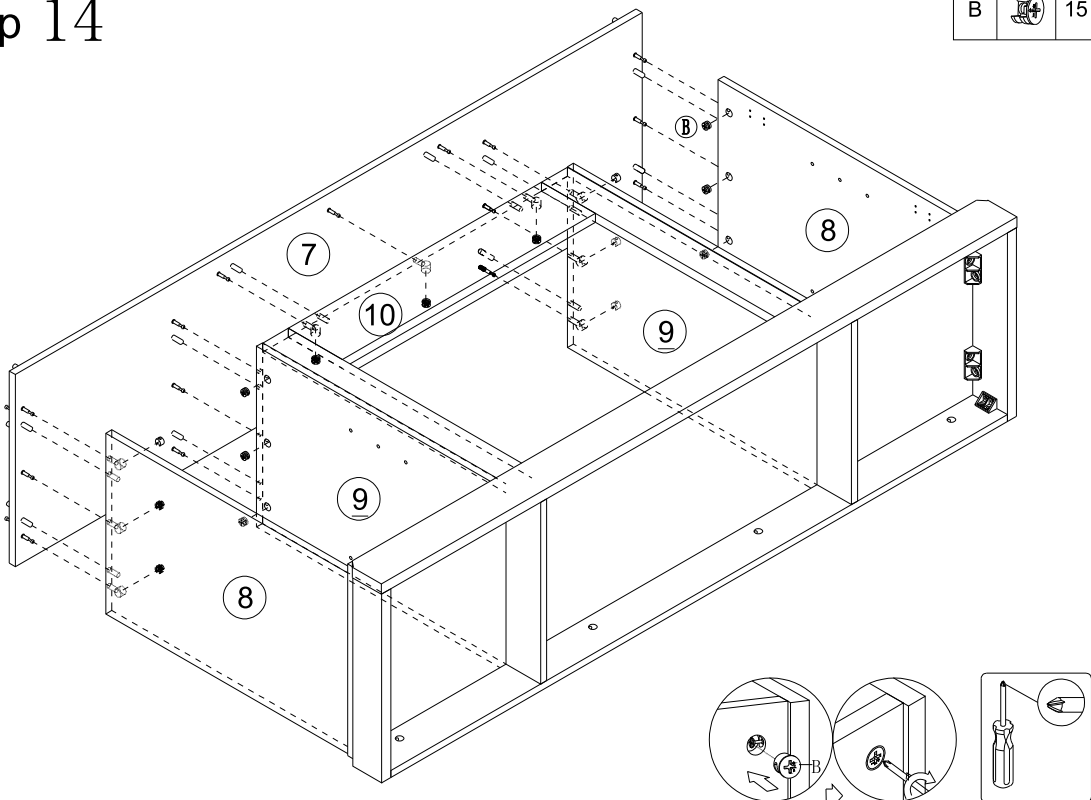


Assembly | Asambla | Assemblage

Step 13

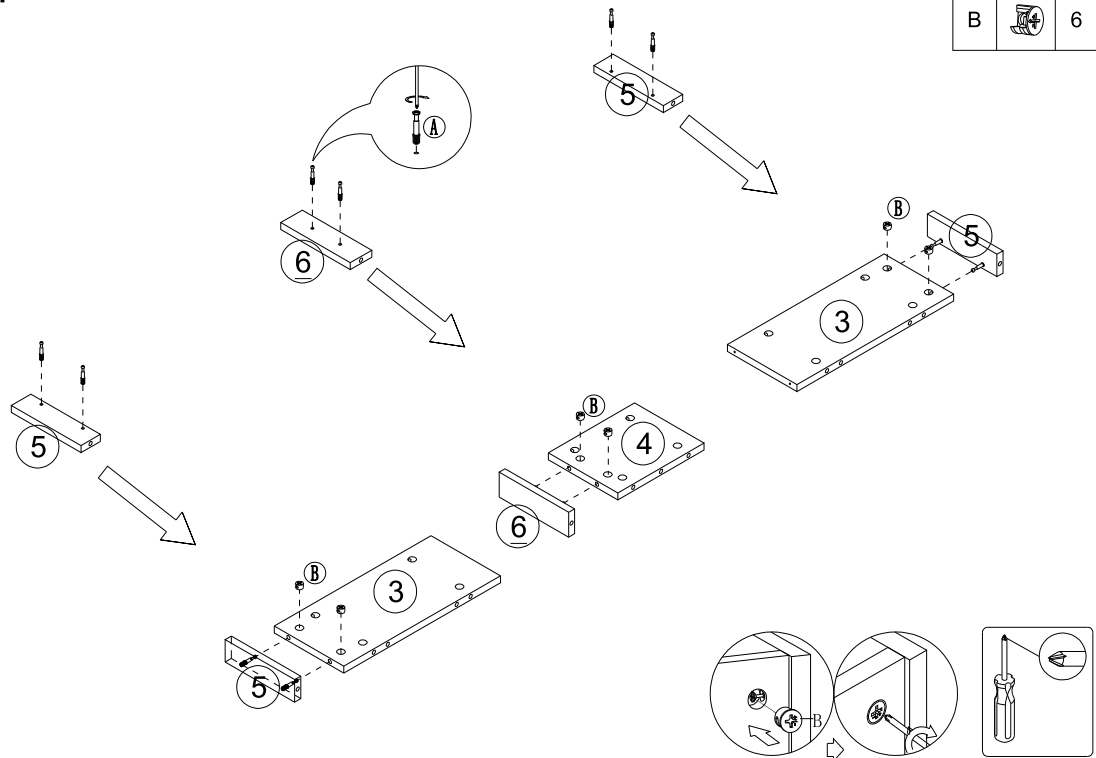


Step 14

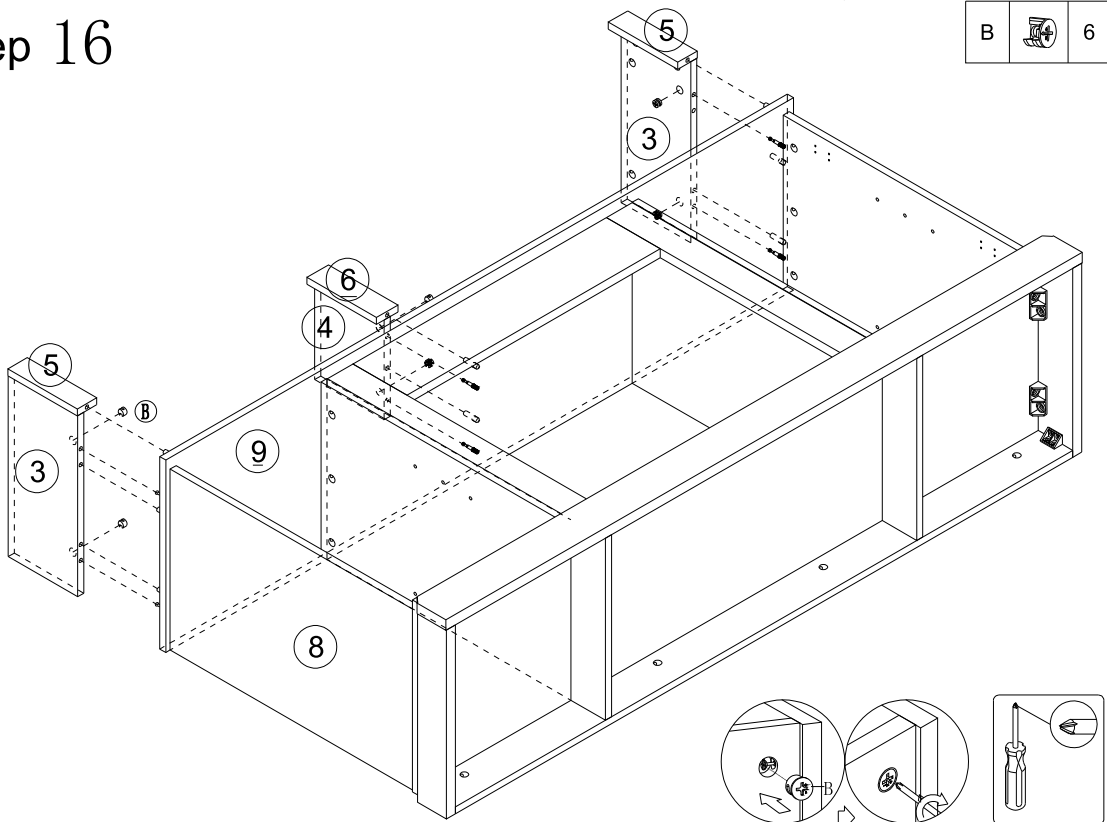


Assembly | Asambla | Assemblage

Step 15

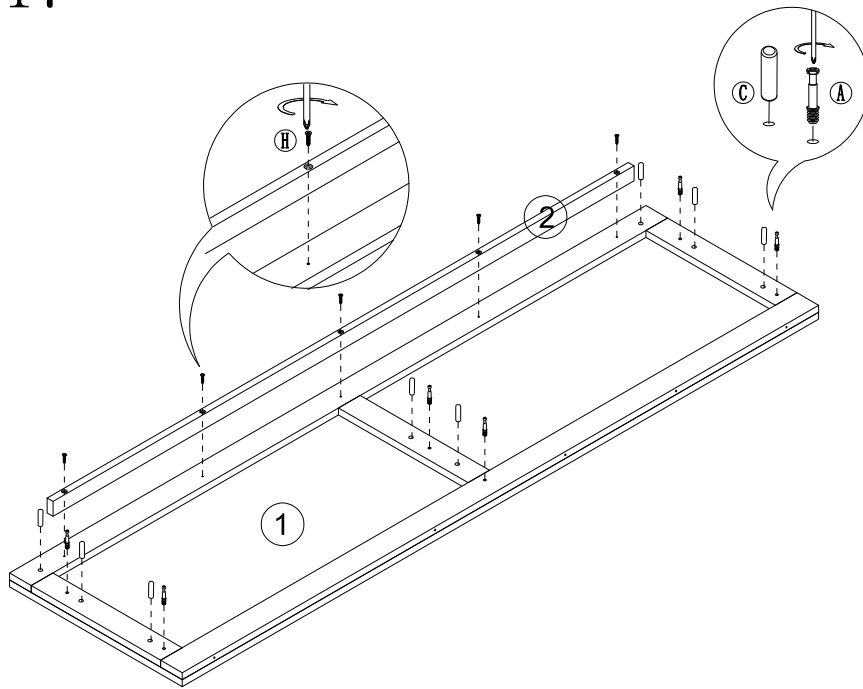


Step 16



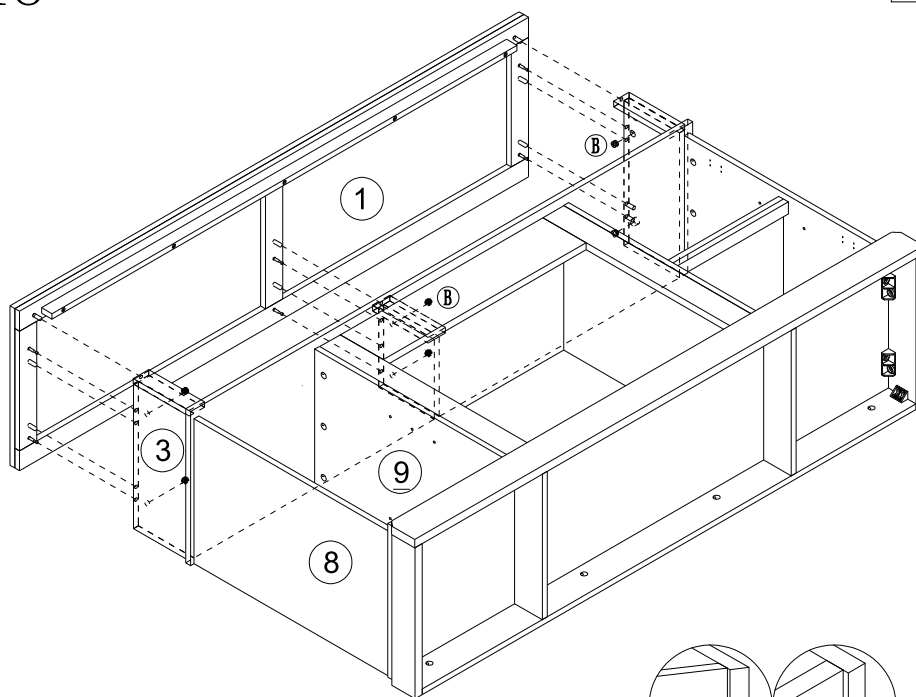
Assembly | Asambla | Assemblage

Step 17

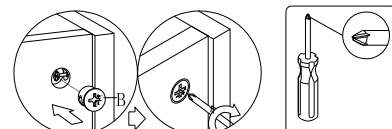


A		6
C		8
H		5

Step 18





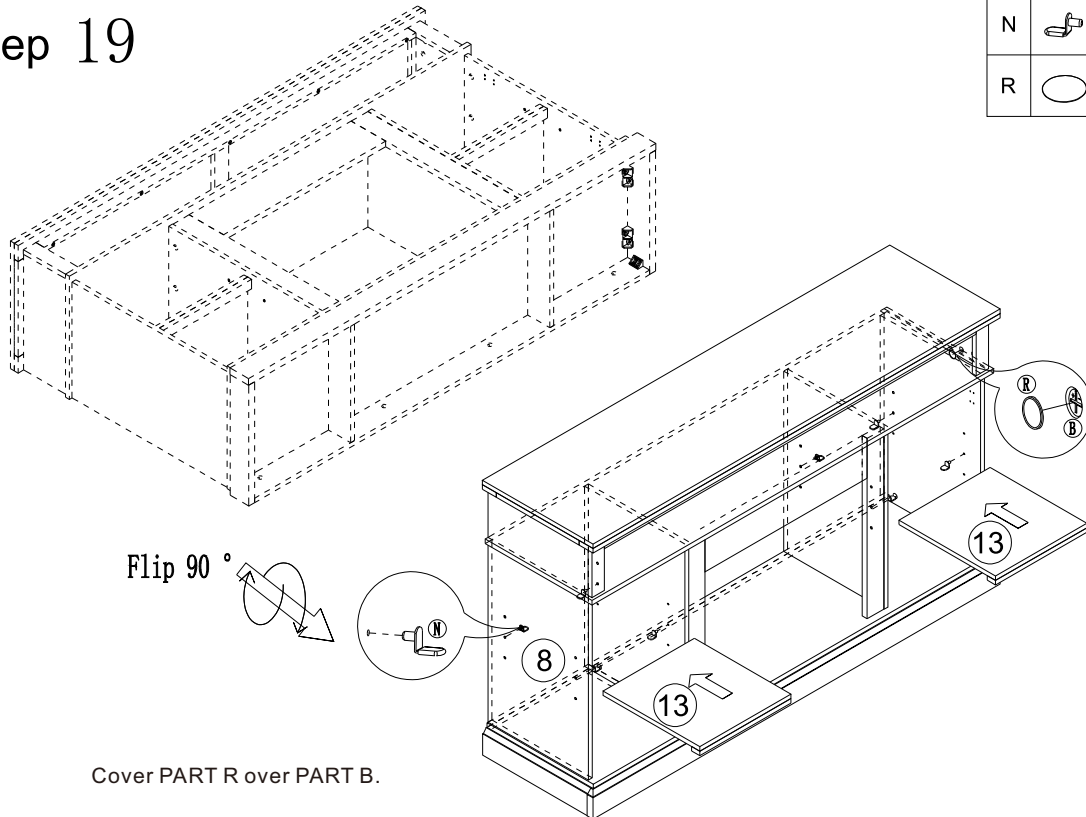
B		6
---	--	---



Assembly | Asambla | Assemblage

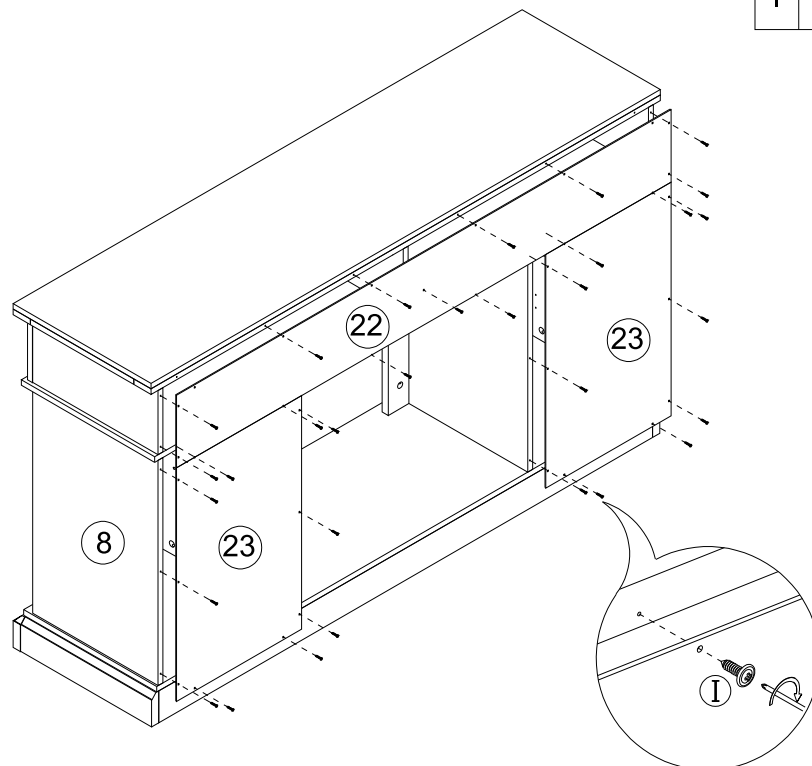
Step 19

N		8
R		59



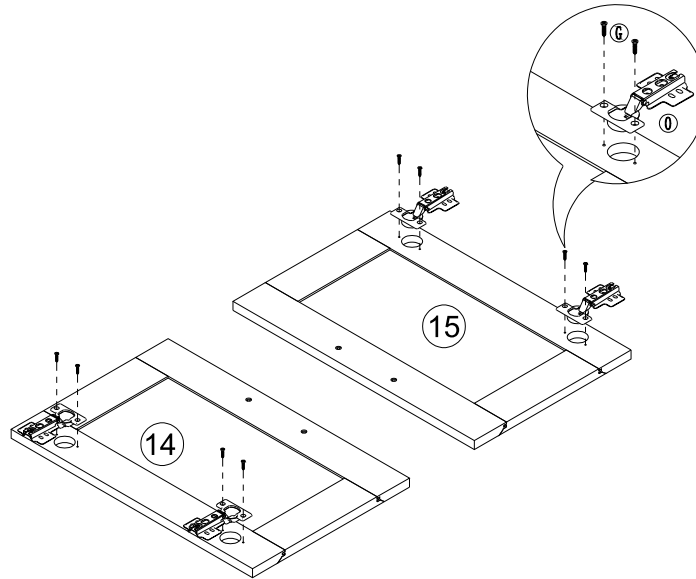
Step 20



I		31
---	---	----



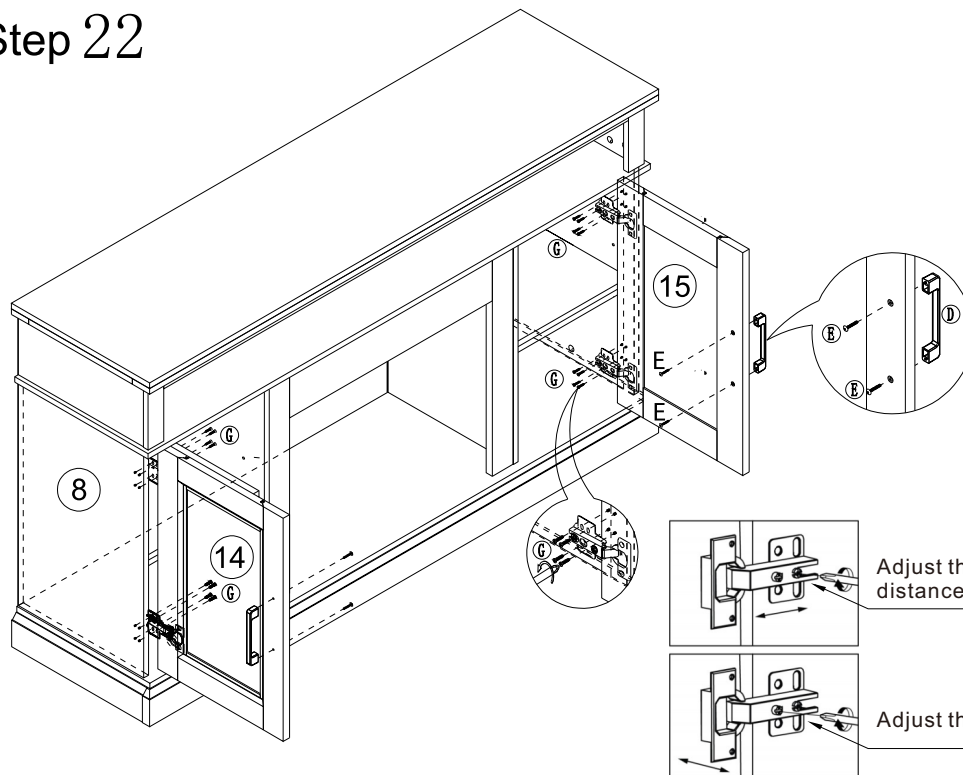
Assembly | Asambla | Assemblage




Step 21



O		4
G		8

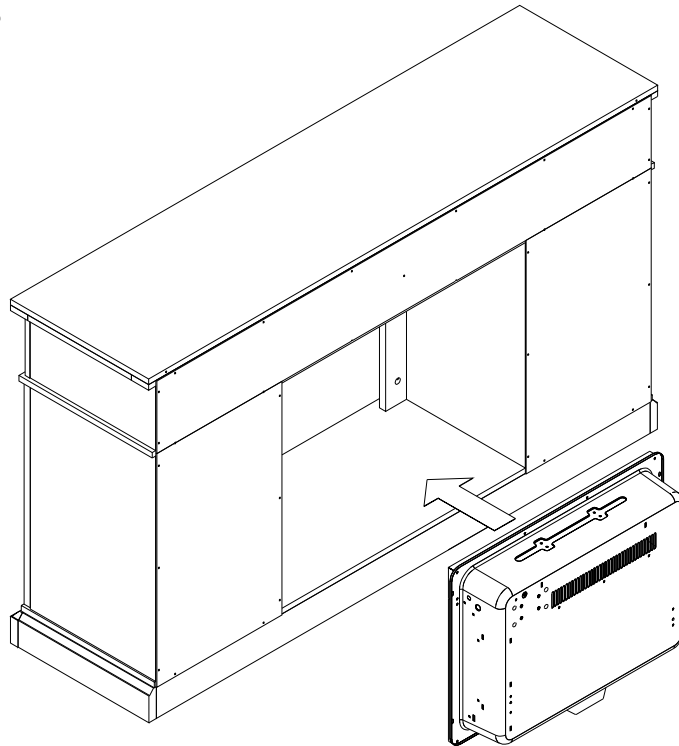
Step 22



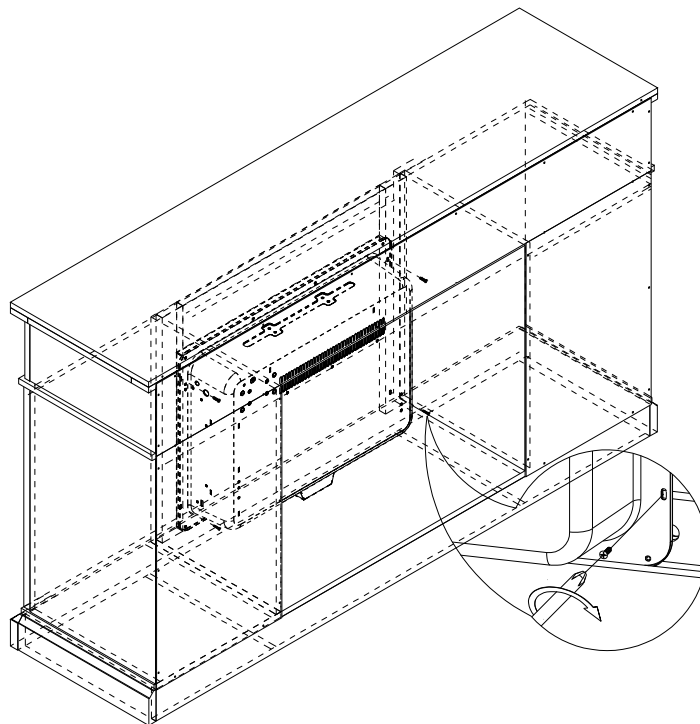
D		2
E		4
G		16

Assembly | Asambla | Assemblage

Step 23

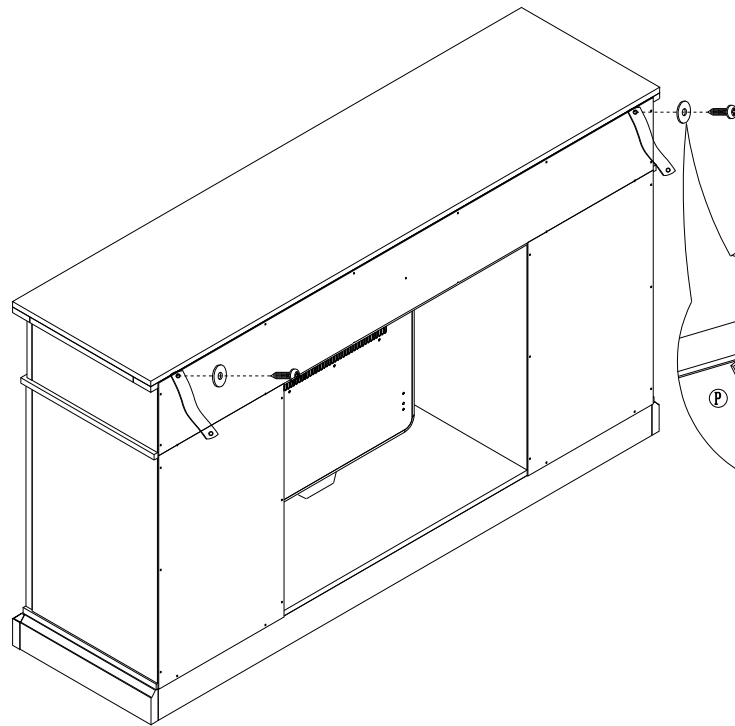


Step 24



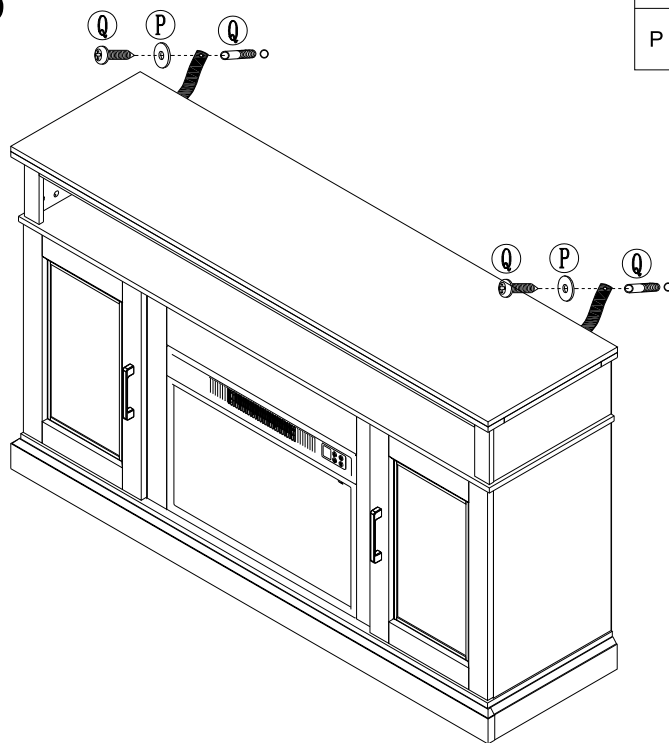
Assembly | Asambla | Assemblage

Step 25



P		2
I		2
P		2

Step 26



Q		2
P		2

