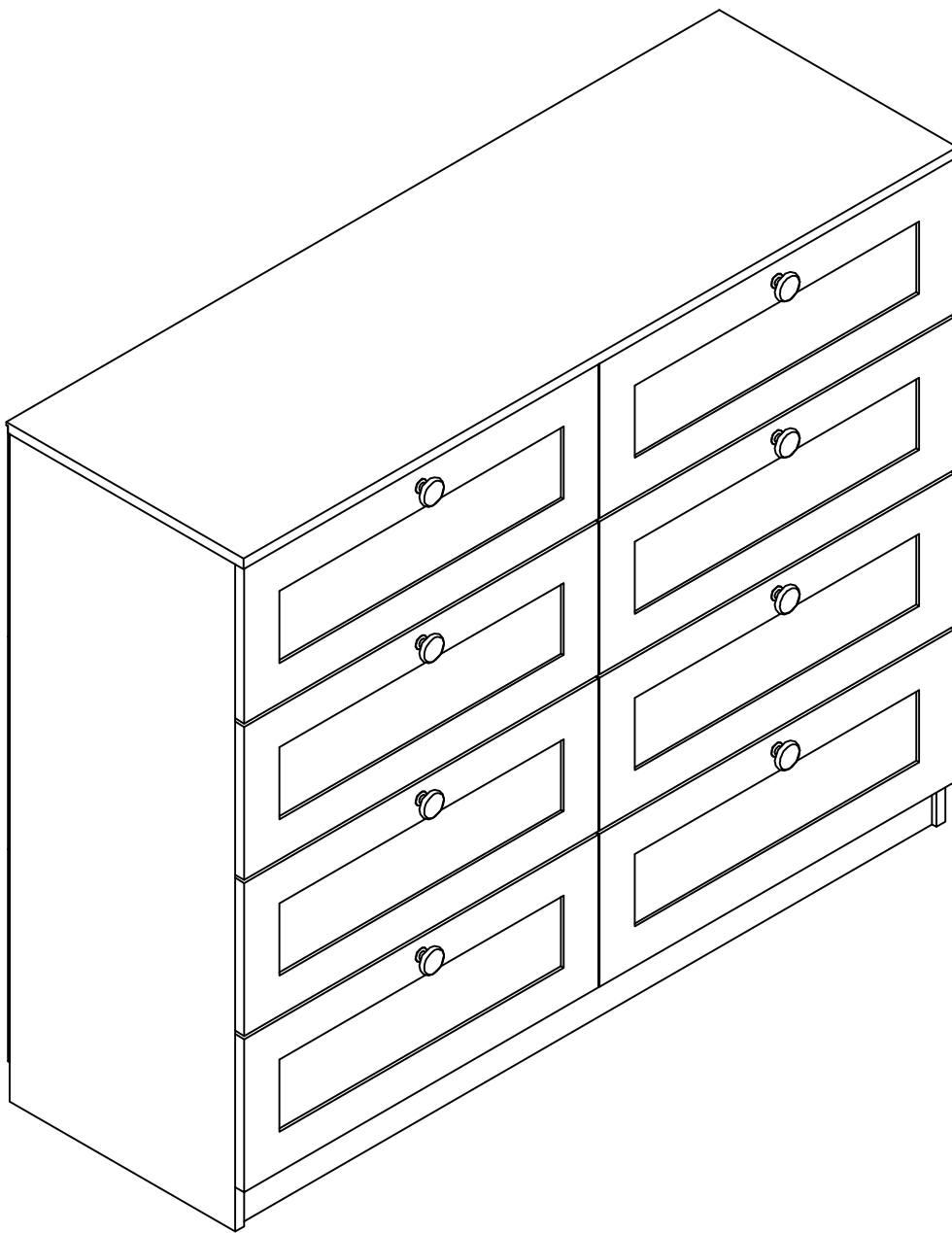


4+4 DRAWER CHEST

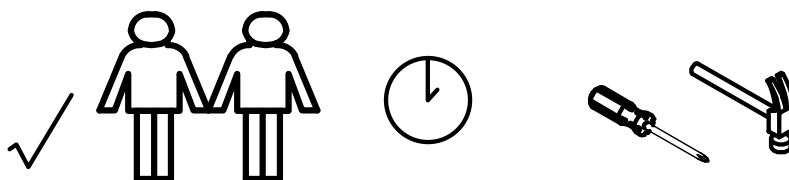
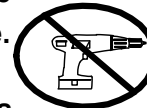
ASSEMBLY INSTRUCTION - Please Keep For Future Reference



Safety and Care Advice

IMPORTANT - Please Read This Instruction Carefully Before Assembly.

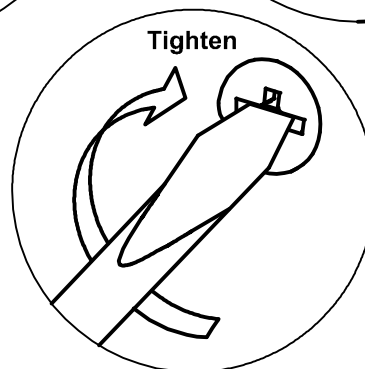
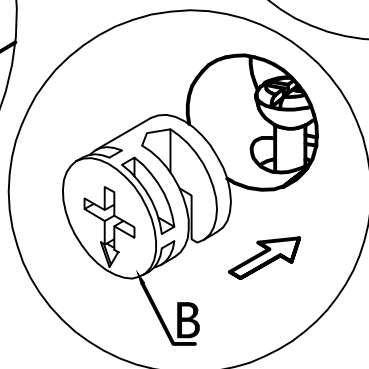
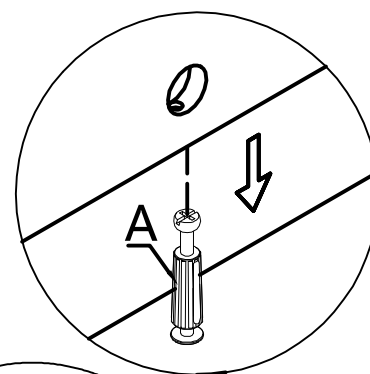
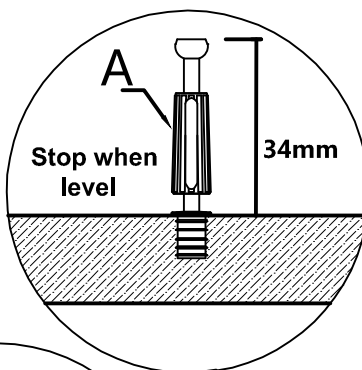
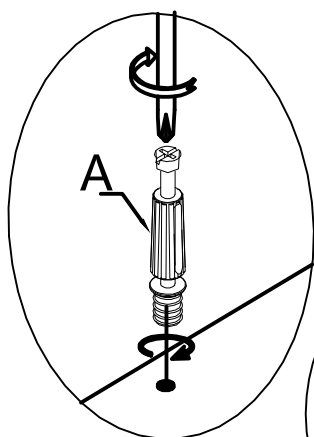
- Check you have all the components and tools listed on page 3.
- Remove all settings from the plastic bags and separate them into their groups.
- Keep children and animals away from the work area, small parts could choke if swallowed.
- Make sure you have enough space to layout the parts before assembly.
- Do not stand or put weight on the product, this could cause damage.
- Assemble the item as close to its intended position (in the same room) as possible.
- Assemble on a soft level surface to avoid damaging the unit.
- Parts of the assembly will be easier with 2 people.
- Do not use power drill/drivers for assembly, or the unit may be damaged.
- Dispose of all packaging carefully and responsibly.



CARE and MAINTENANCE

- Only clean using a damp cloth and mild detergent, do not use bleach or abrasive cleaners.
- From time to time check that there are no loose screws on this unit.
- This product should not be discarded with household waste. Take to your local authority waste disposal center.

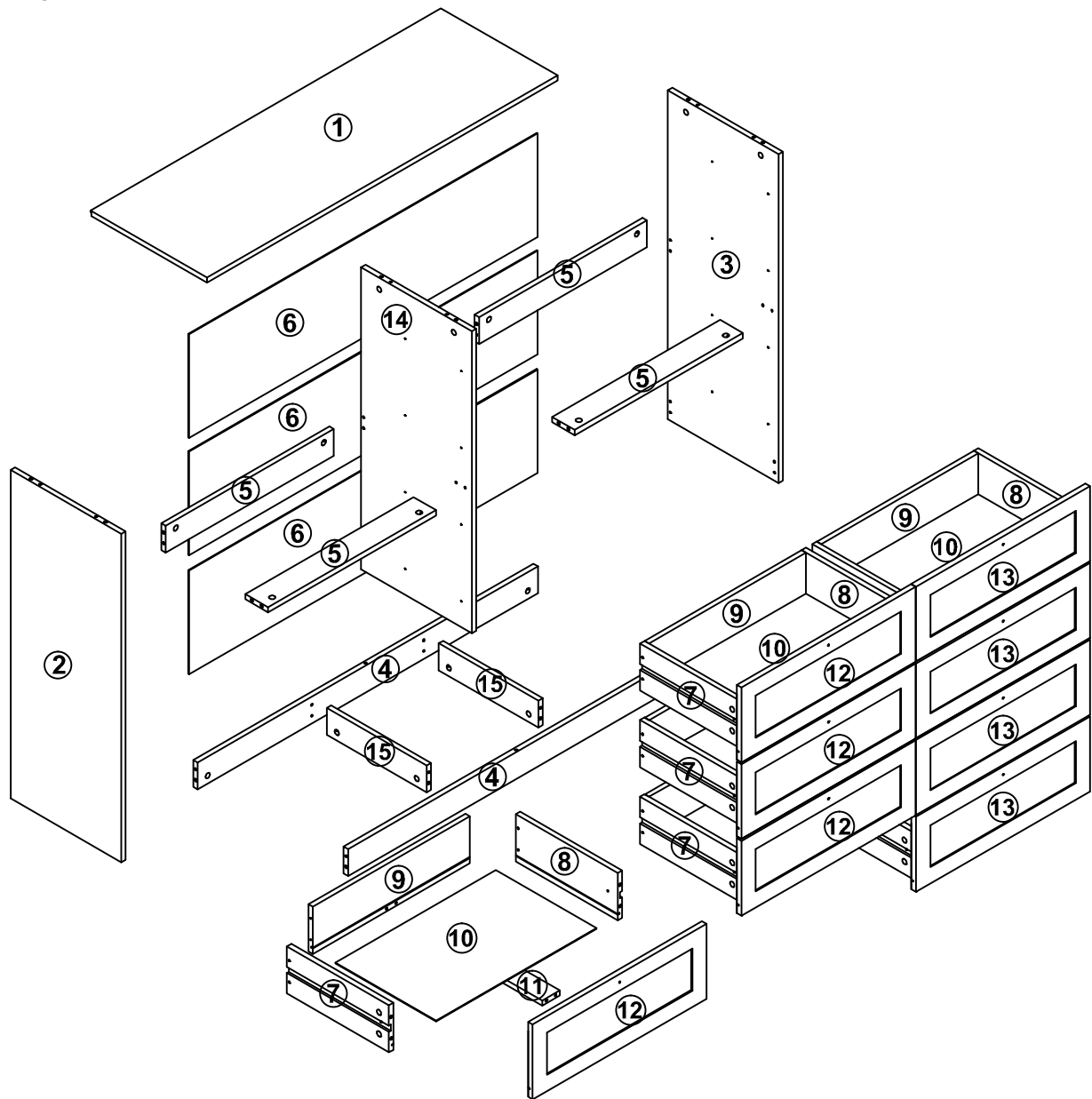
General Hints & Tips

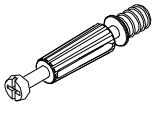
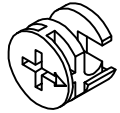
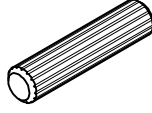
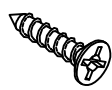

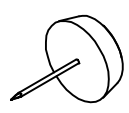
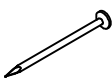

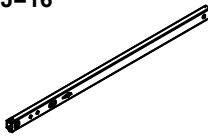
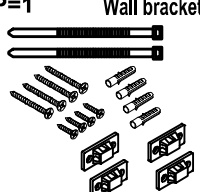
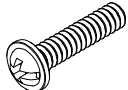



Components and Tools

IMPORTANT - Please Check If You Have All The Components and Tools.

Note: The quantities below are the correct amount to complete the assembly. In some cases more pieces may be supplied than are required.



A=54  Peg M6*34mm	B=54  Lock M15*12mm	C=56  Dowel M8*30mm	D=32  Screw M3.5*14mm	E=32  Screw M4*38	F=8  Plastic Feet
G=20  Pin	H=16  Screw M4*12mm	J=16  Drawer Runner	P=1 Wall bracket 	I=8  Screw M4*18	K=8  Handle O5

1OF2 ①,④X2,⑥X3,⑨X8,⑩X8,⑫X4,⑬X4,

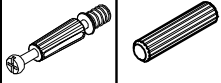
2OF2 ②,③,⑤X4,⑦X8,⑧X8,⑪X8,⑭,⑮X2,FITTING KIT

Assembly Instruction

Step 1

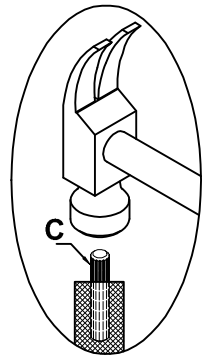
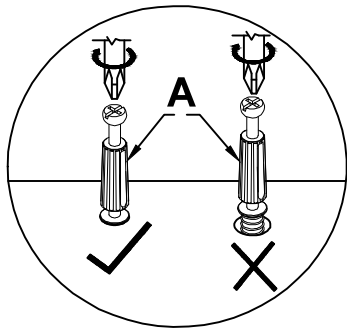
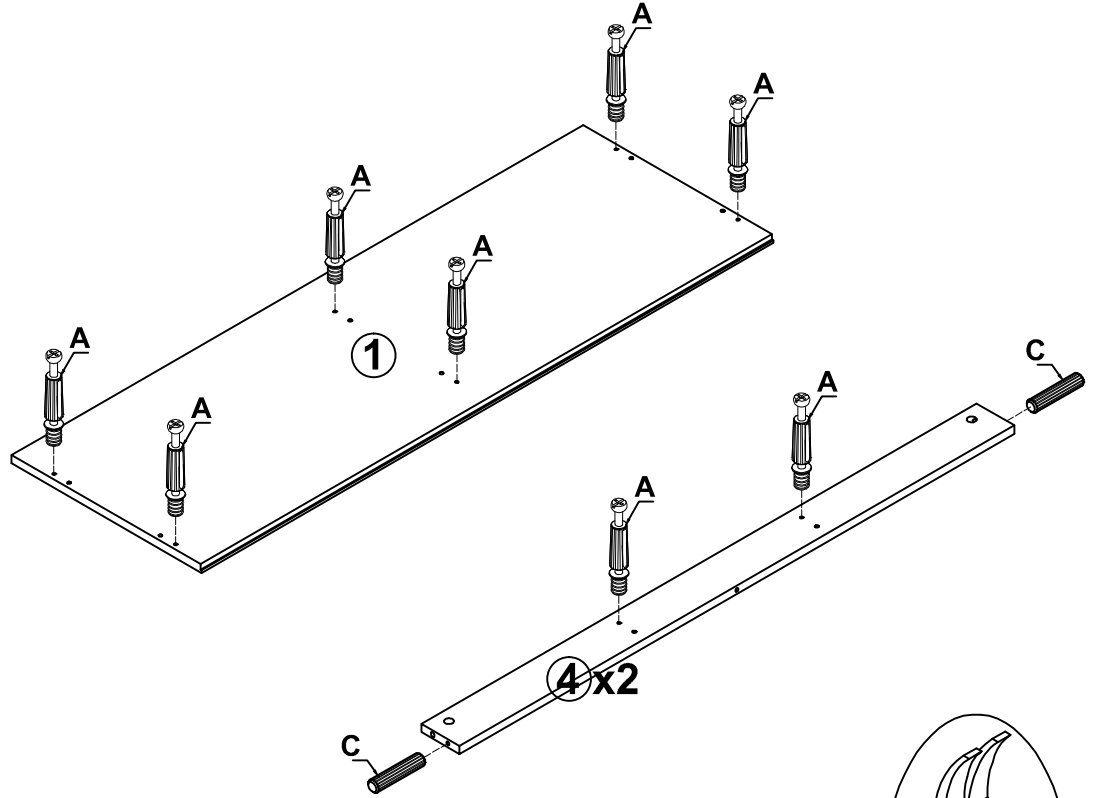
A=10

C=4



Peg

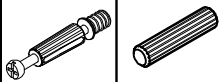
Dowel



Step 2

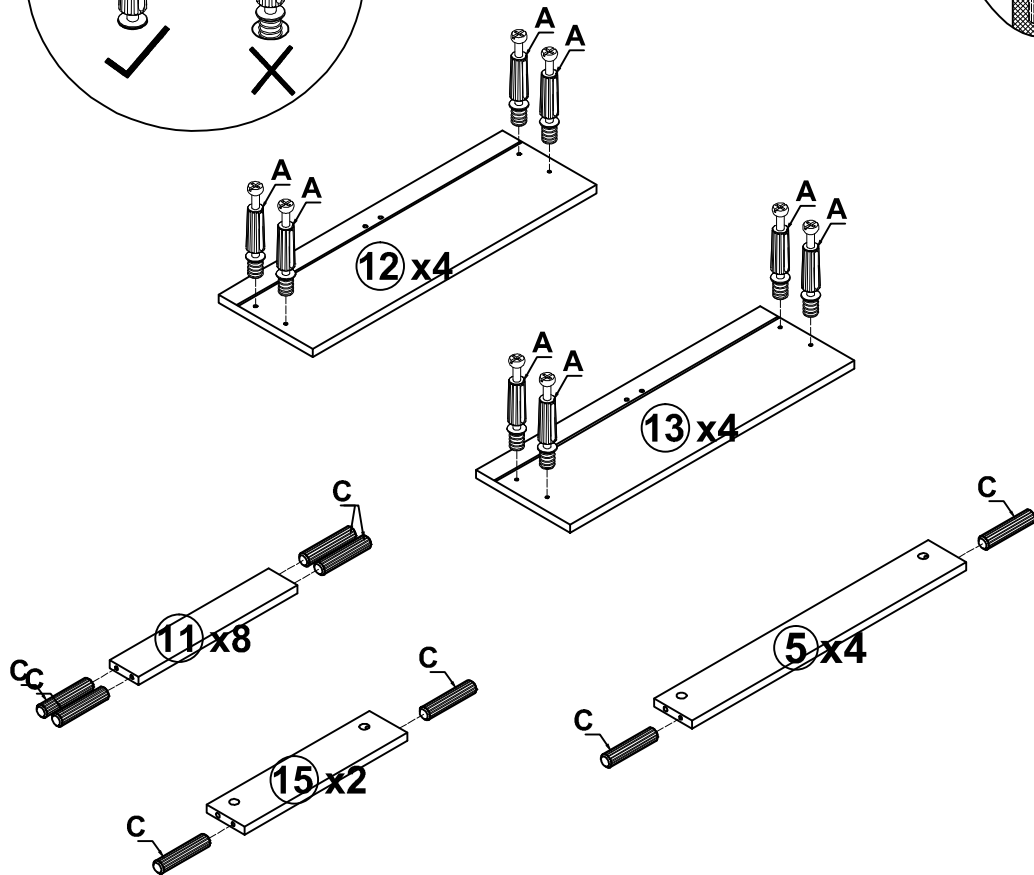
A=32

C=44



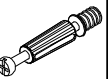



Peg

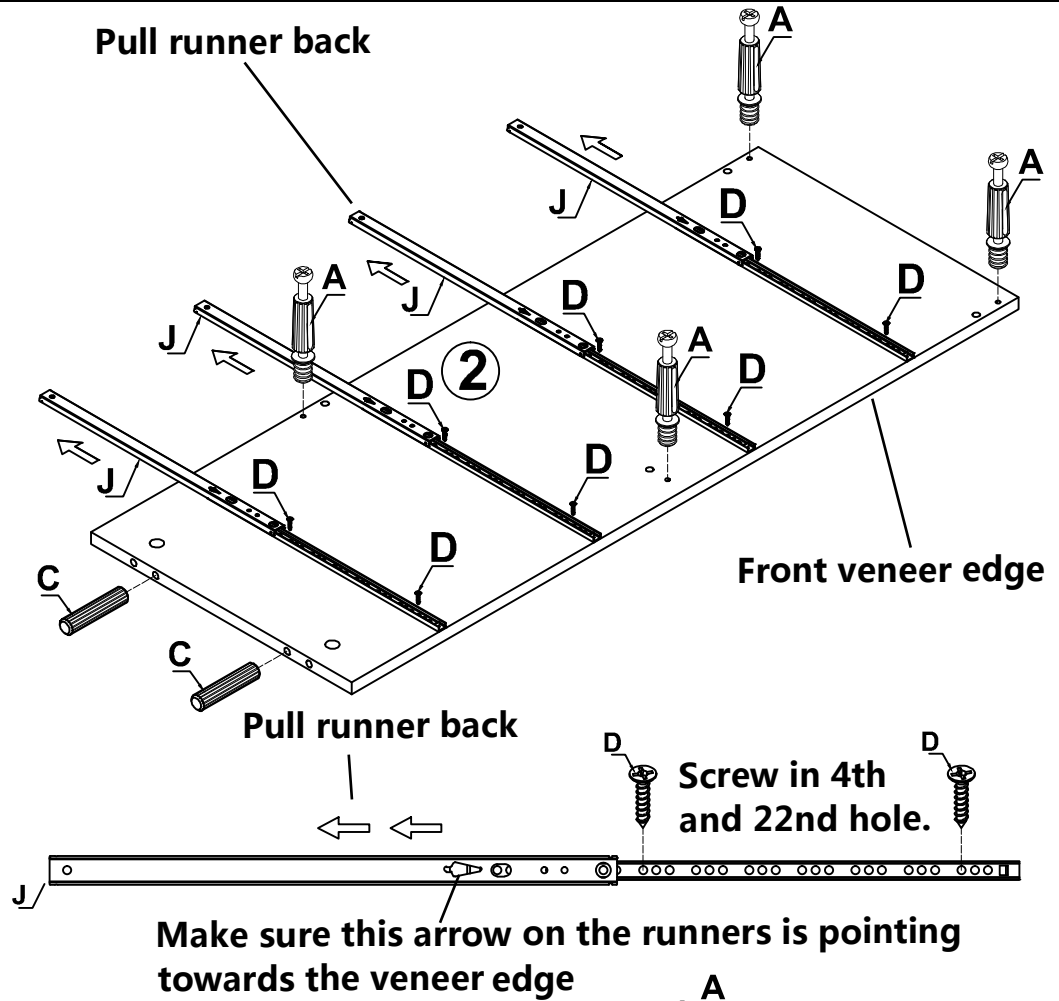
Dowel



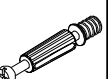



Assembly Instruction

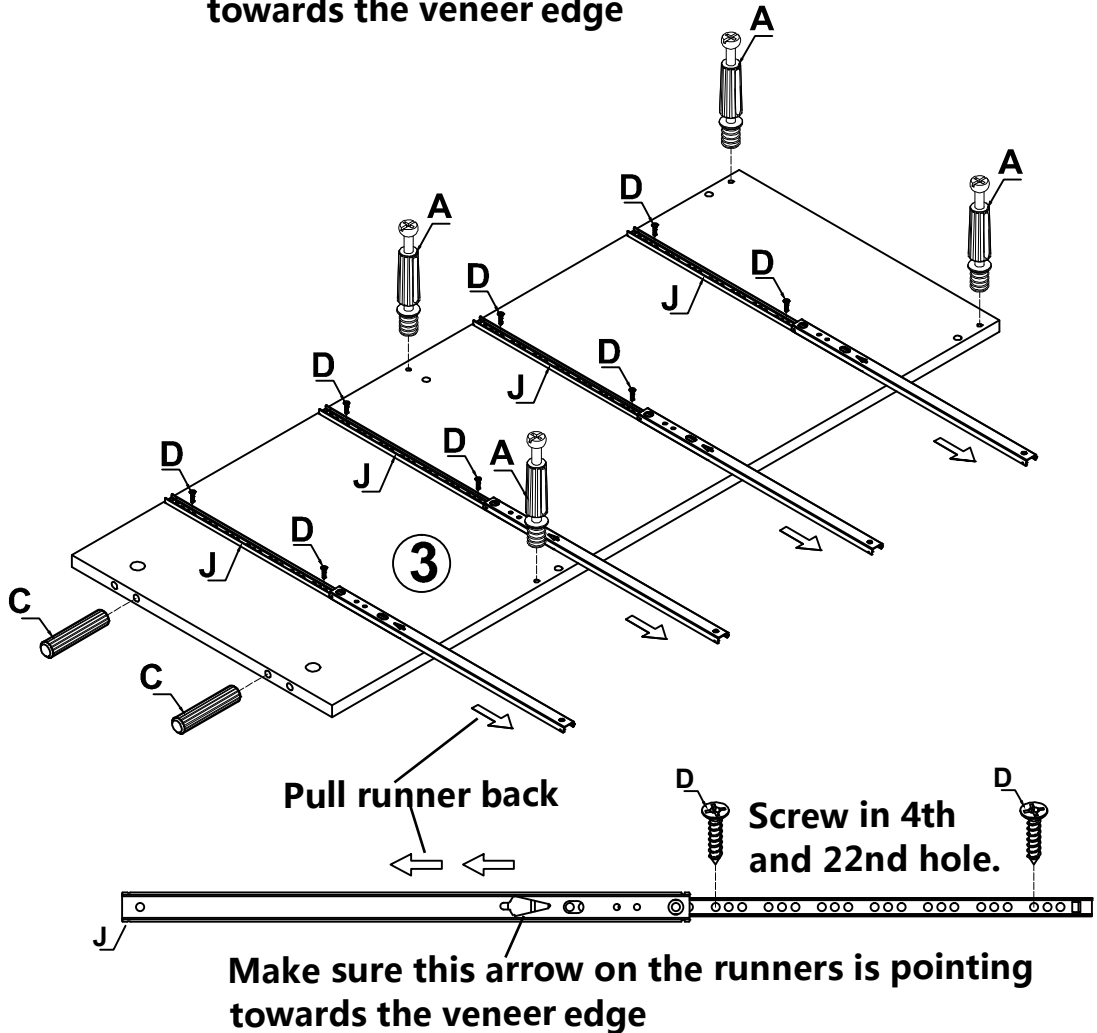
Step 3

A=4	C=2
	
Peg	Dowel
J=4	D=8
	
Drawer Runner	Screw M3.5*14mm







Step 4

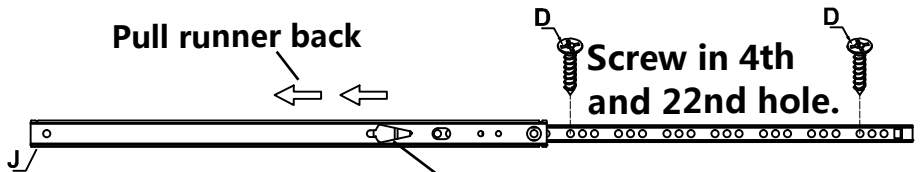
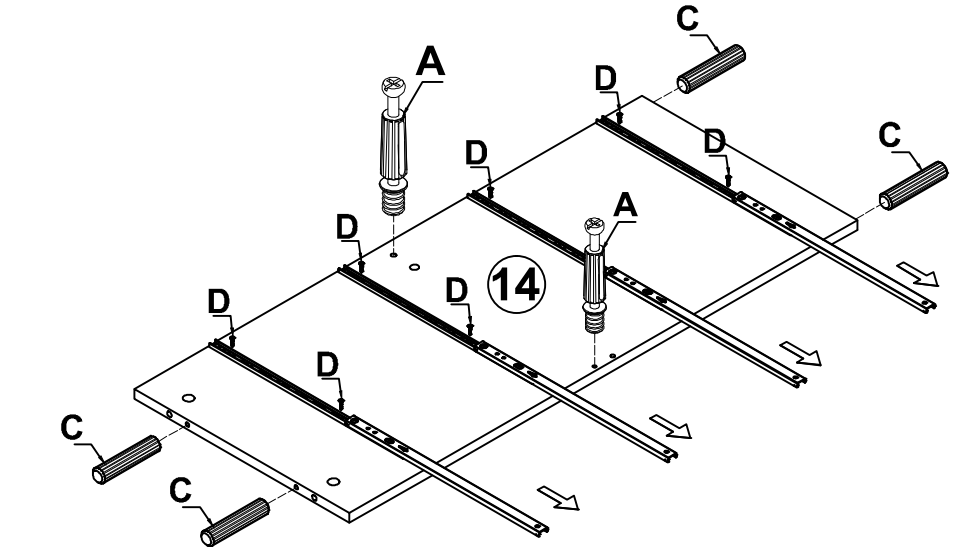
A=4	C=2
	
Peg	Dowel
J=4	D=8
	
Drawer Runner	Screw M3.5*14mm



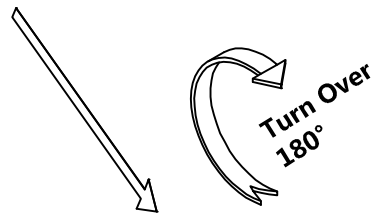
Assembly Instruction

Step 5

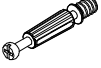


A=2	C=4
	
Peg	Dowel
J=4	D=8
	
Drawer Runner	Screw M3.5*14mm

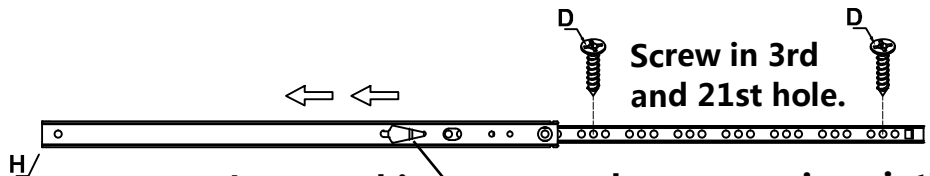
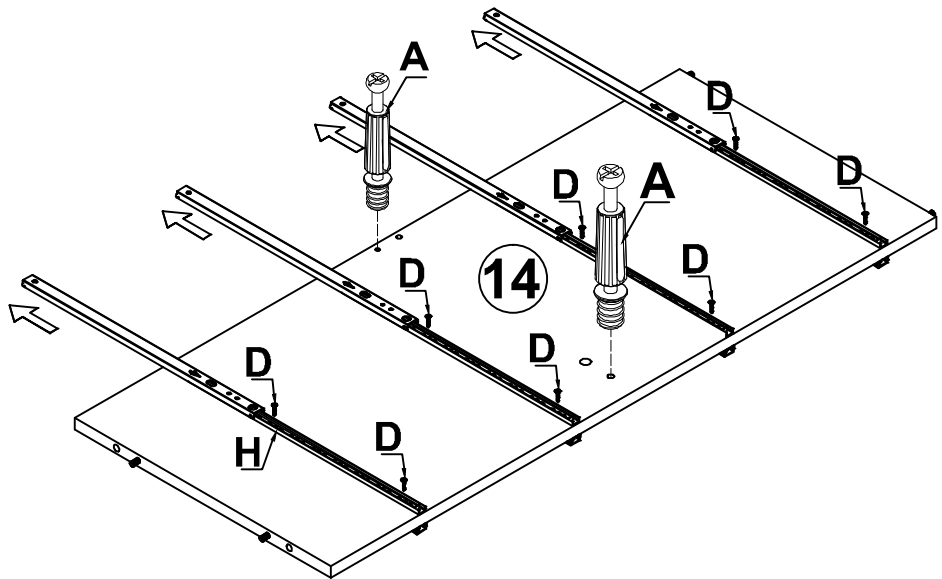


Make sure this arrow on the runners is pointing towards the veneer edge



Step 6

A=2	J=4
	
Peg	Drawer Runner
D=8	
	
Screw M3.5*14mm	



Make sure this arrow on the runners is pointing towards the veneer edge

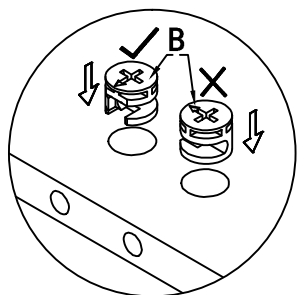
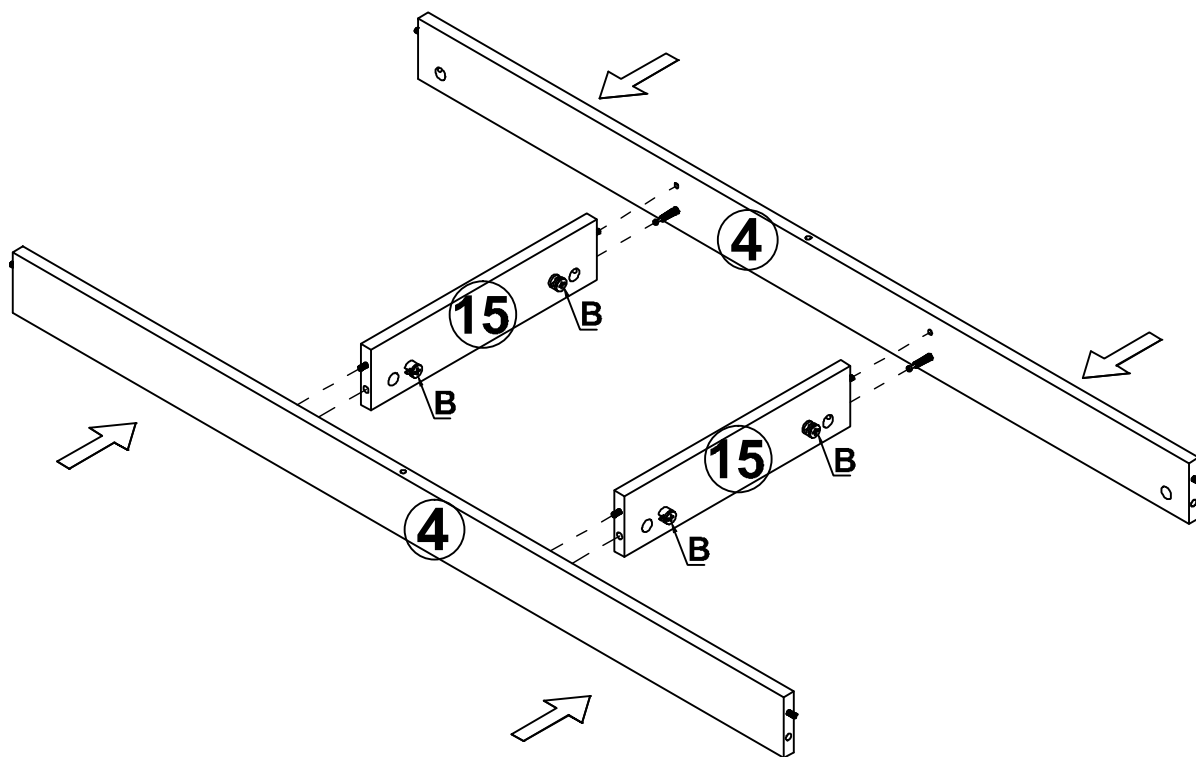
Assembly Instruction

Step 7

B=4



Lock

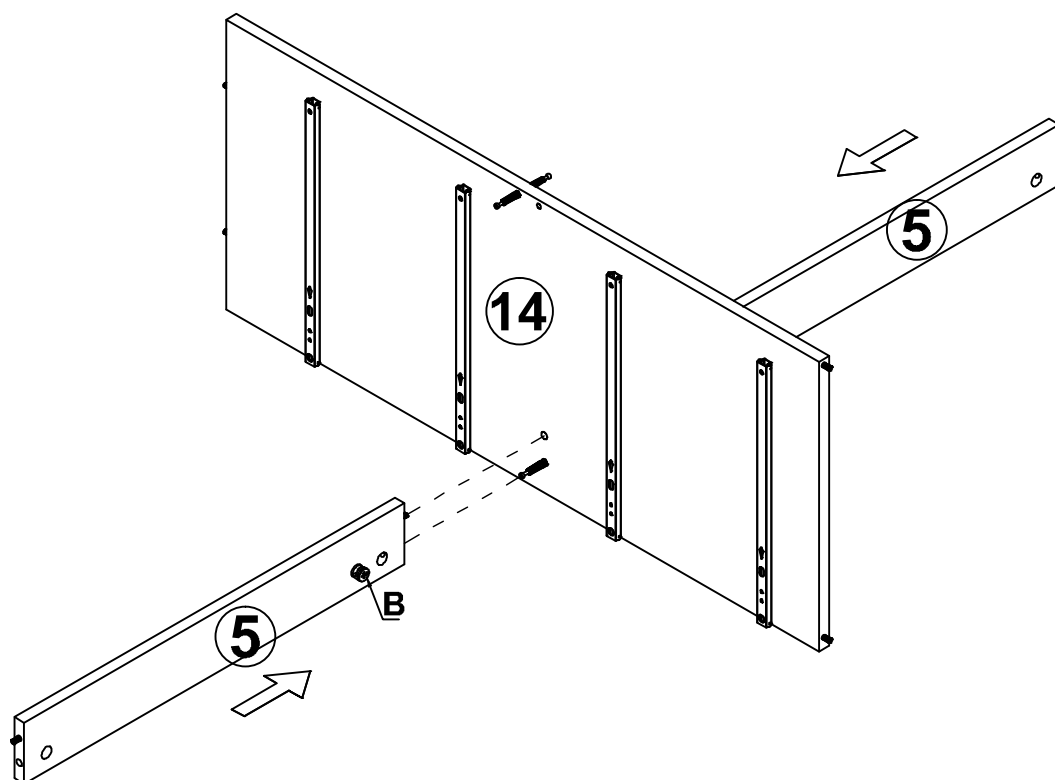


Step 8

B=2

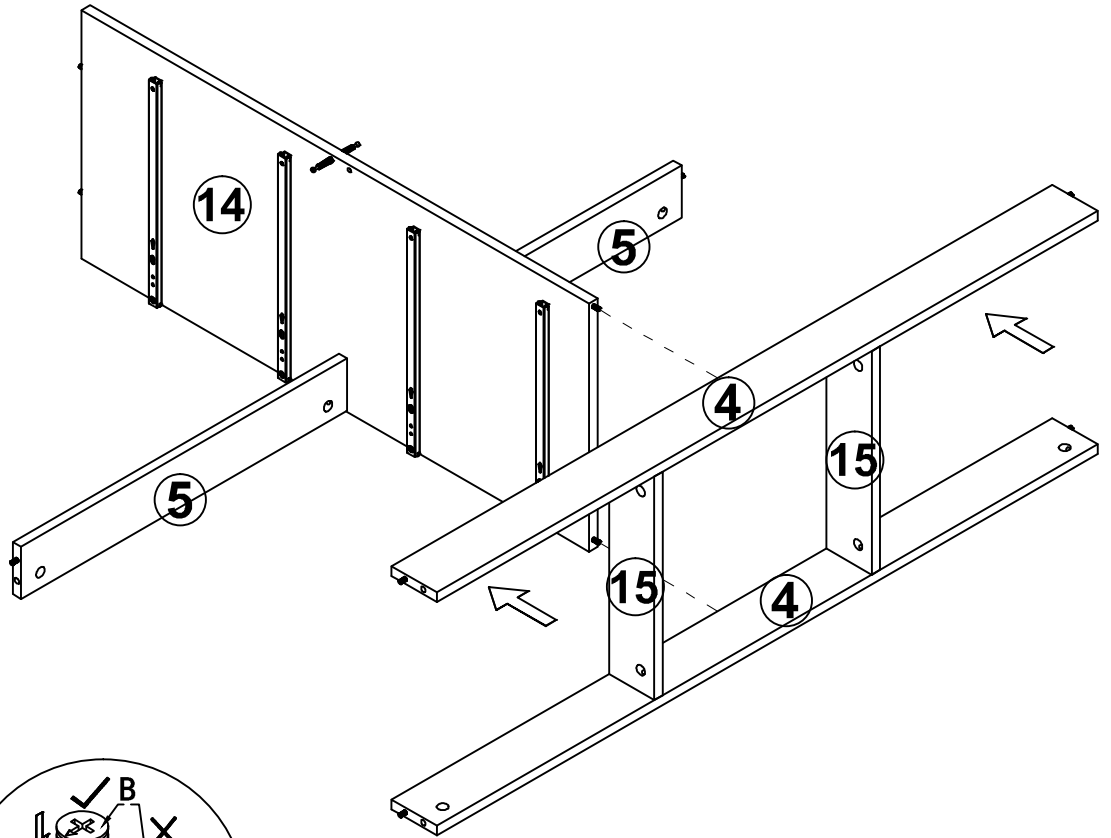


Lock



Assembly Instruction

Step 9

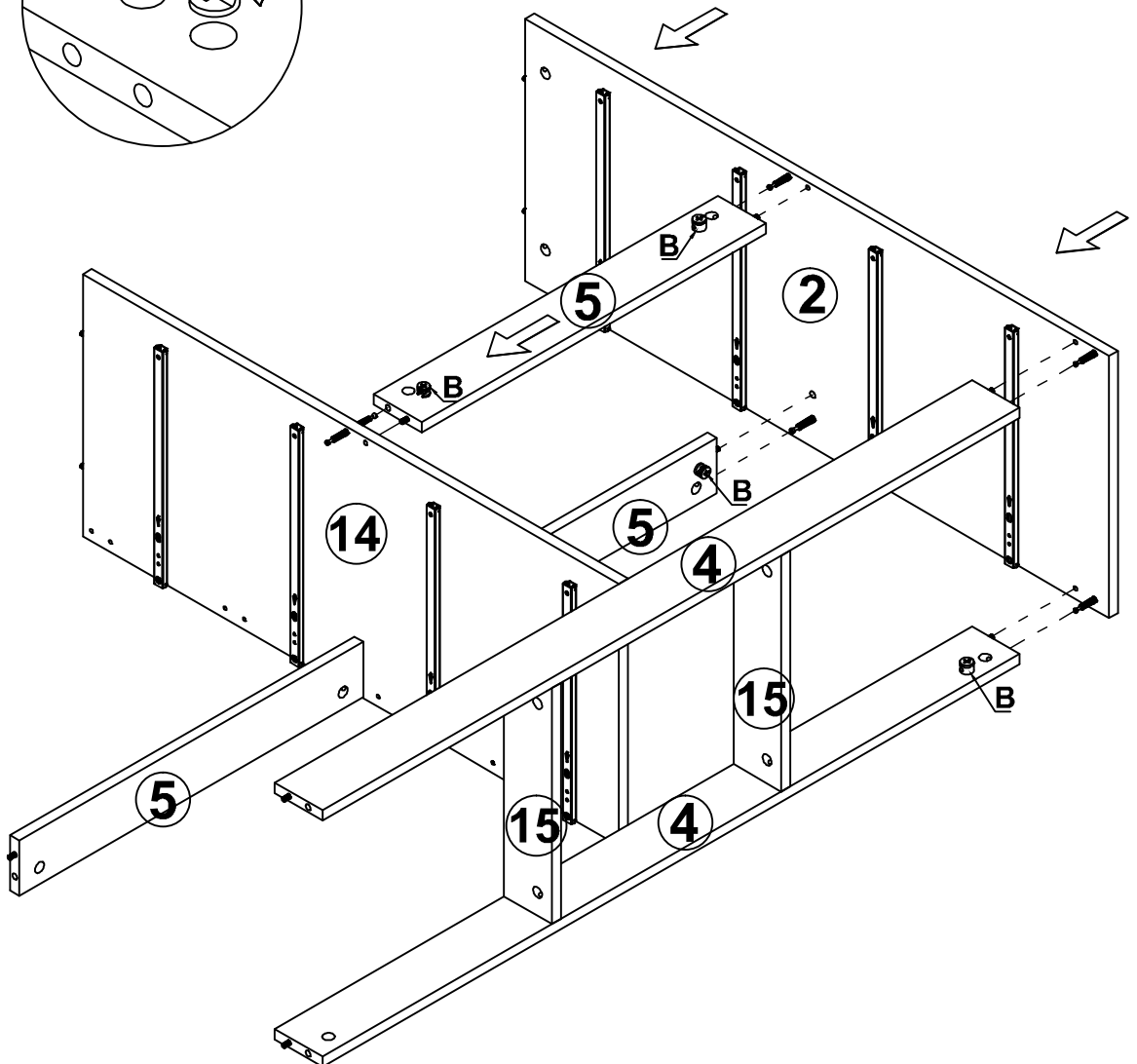


Step 10

B=5



Lock



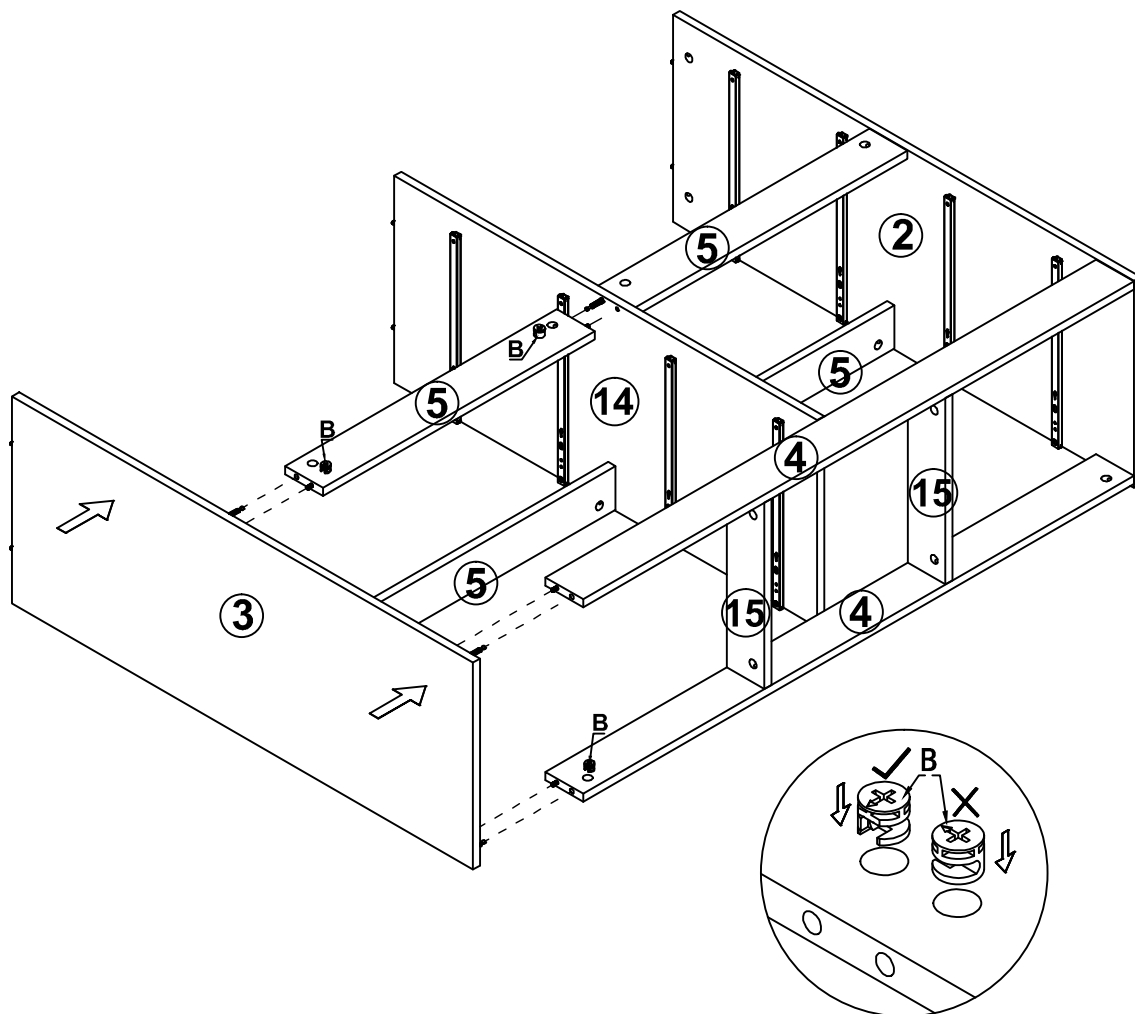
Assembly Instruction

Step 11

B=5



Lock

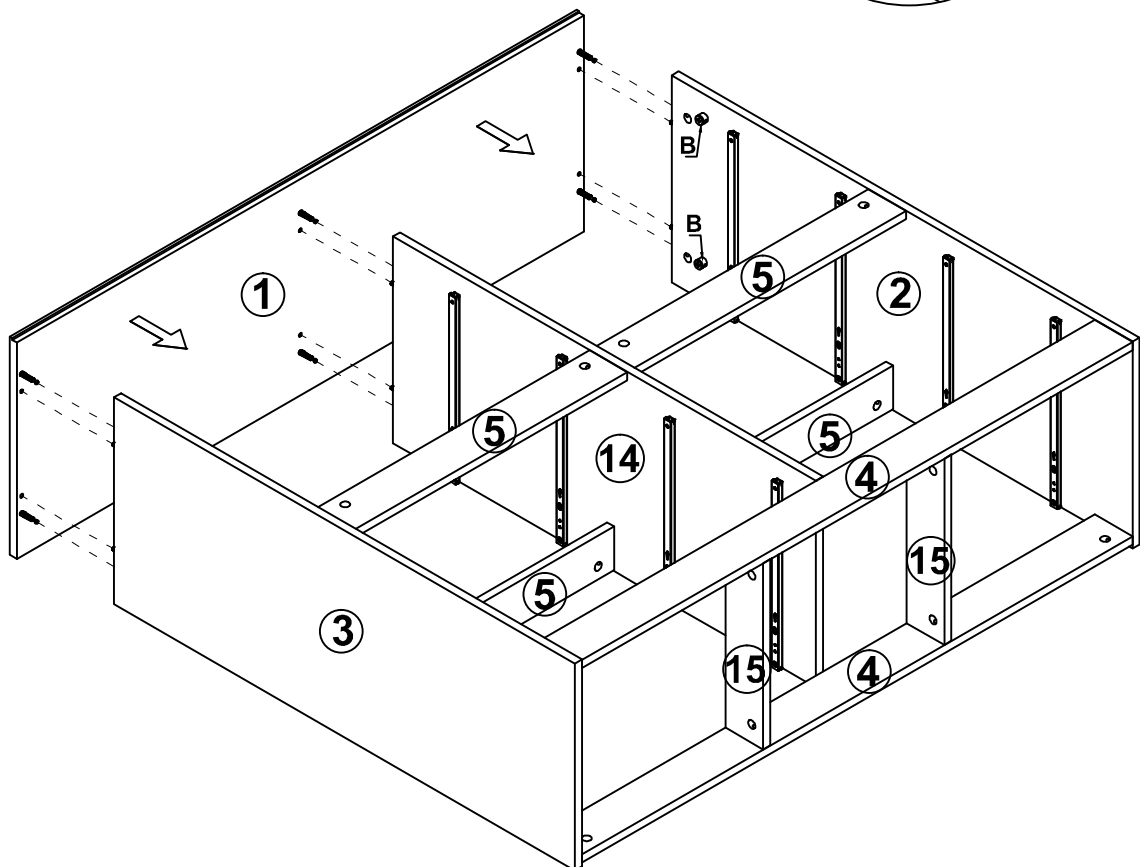


Step 12

B=6

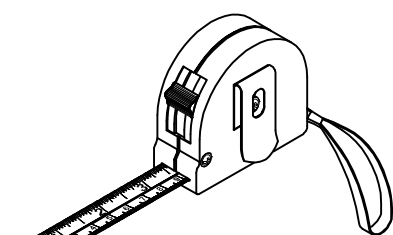


Lock

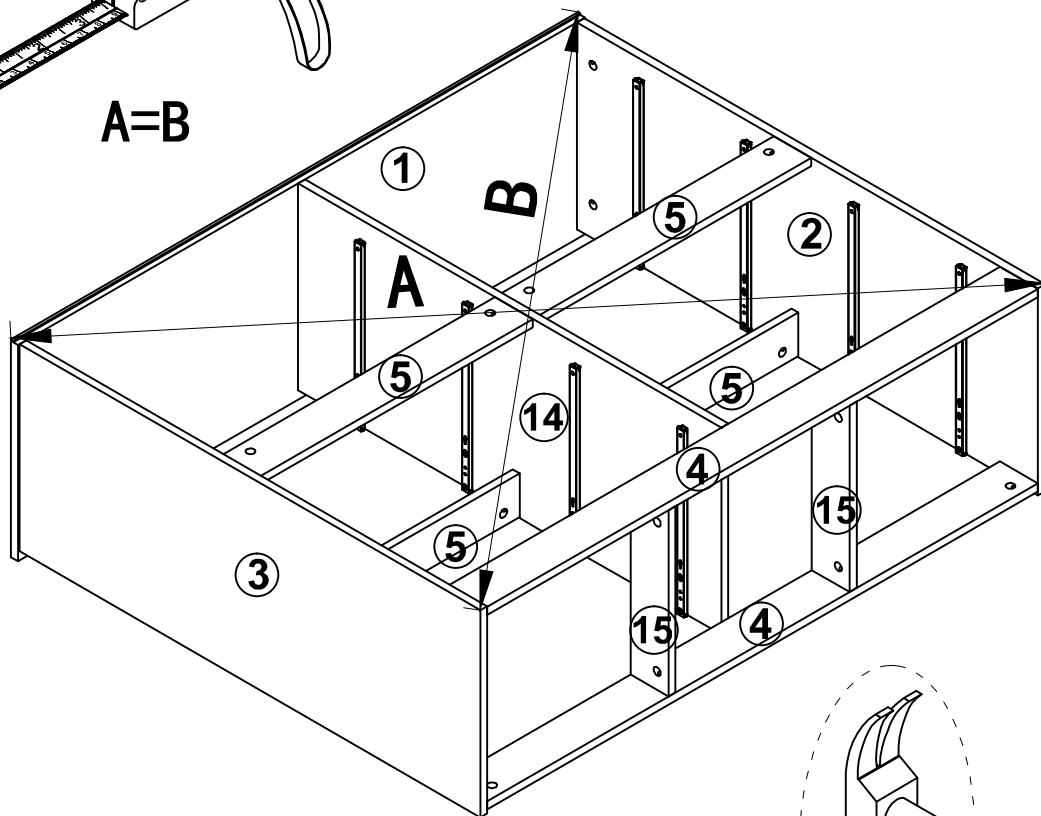


Assembly Instruction

Step 13



A=B



Step 14

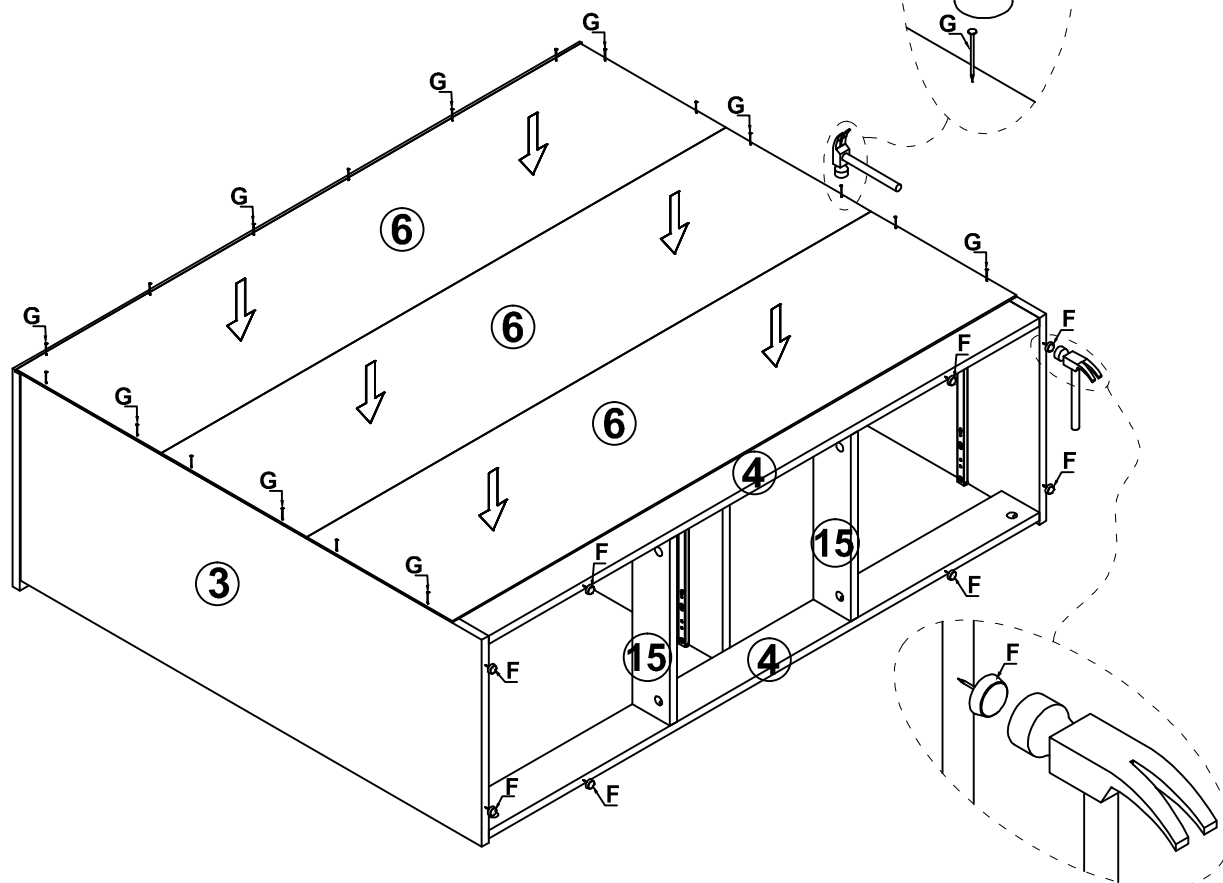
G=18

F=8



Pin

Plastic Foot



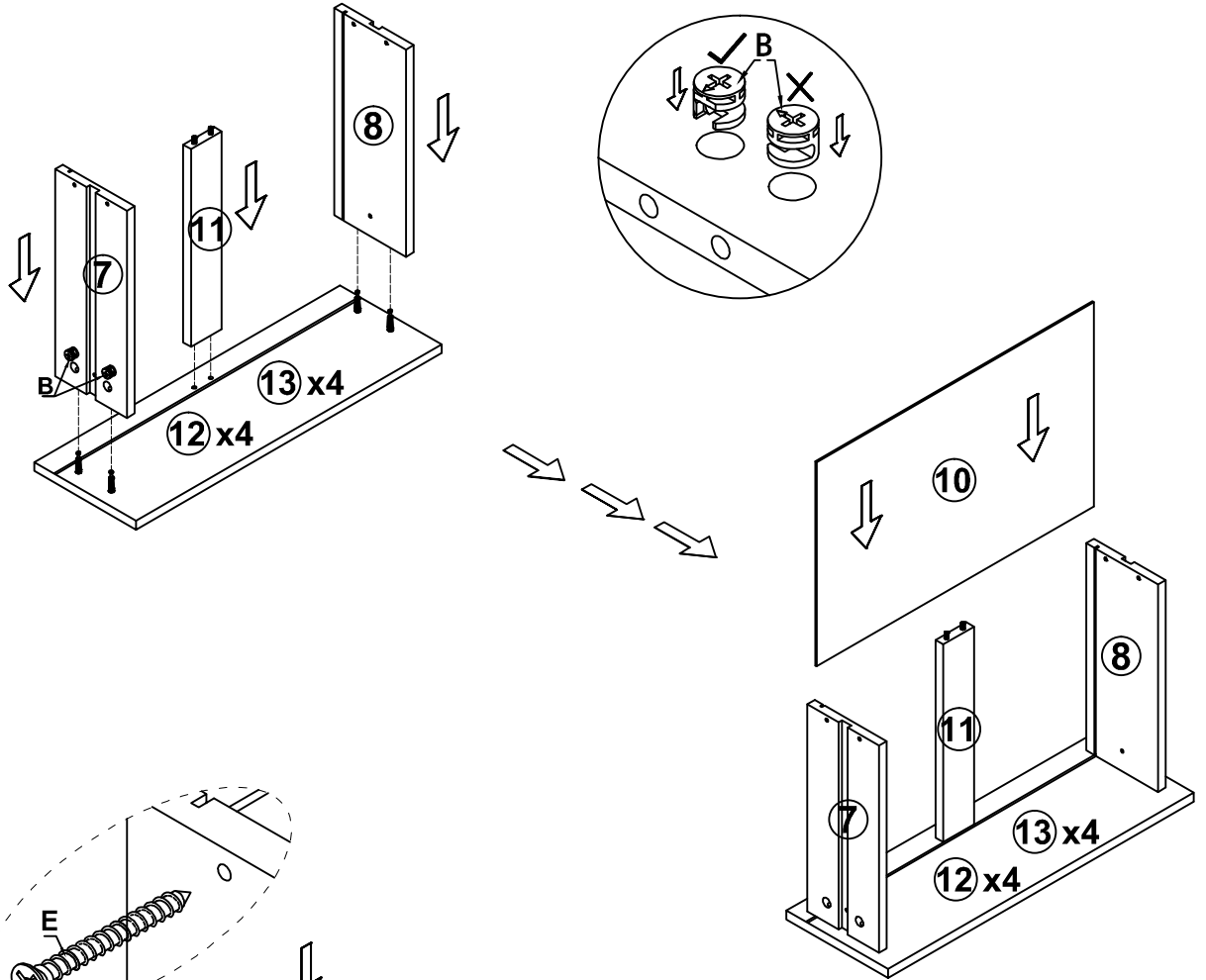
Assembly Instruction

Step 15

B=32



Lock



Step 16

E=32

K=8



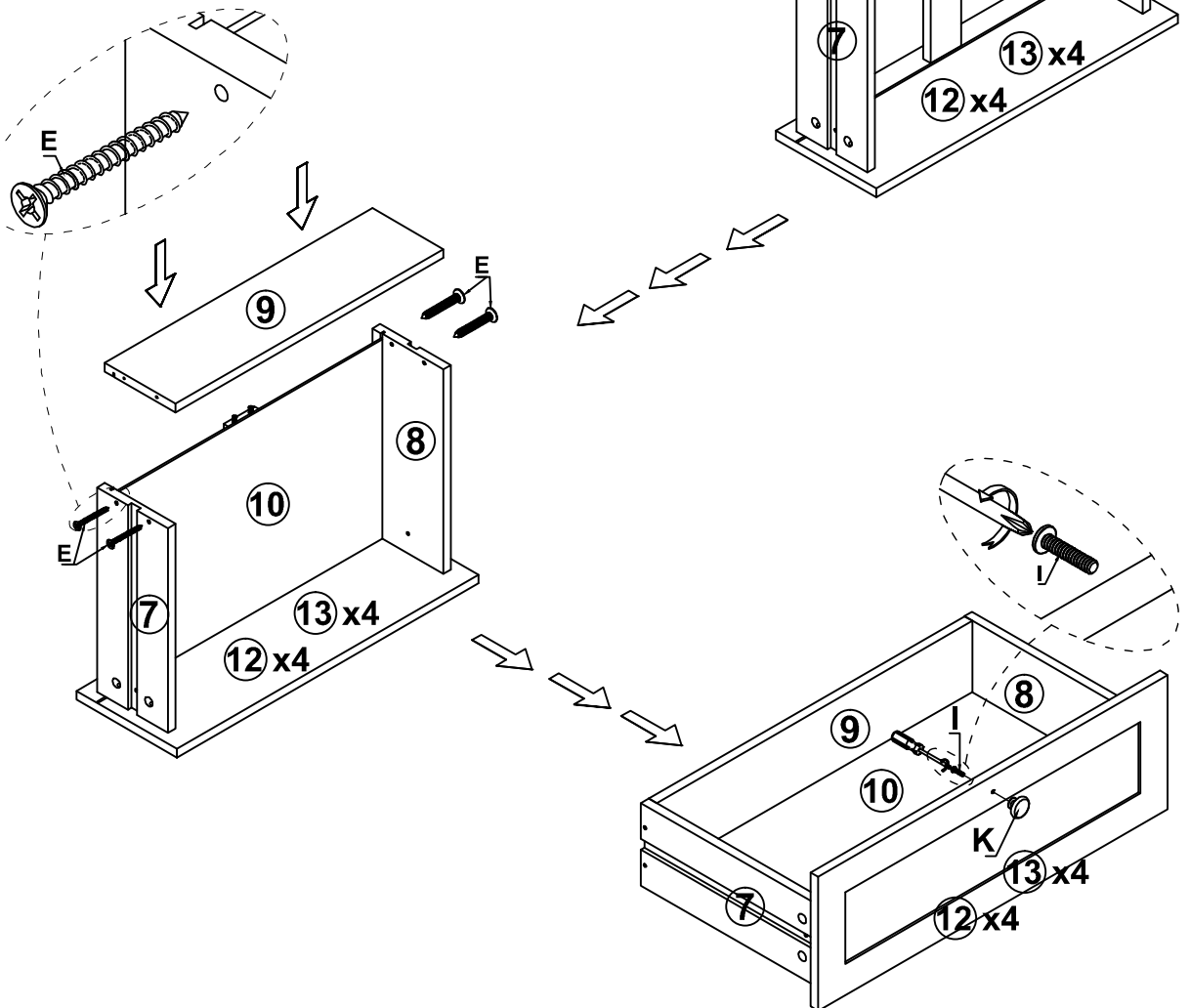
Screw
M4*38

Handle

I=8

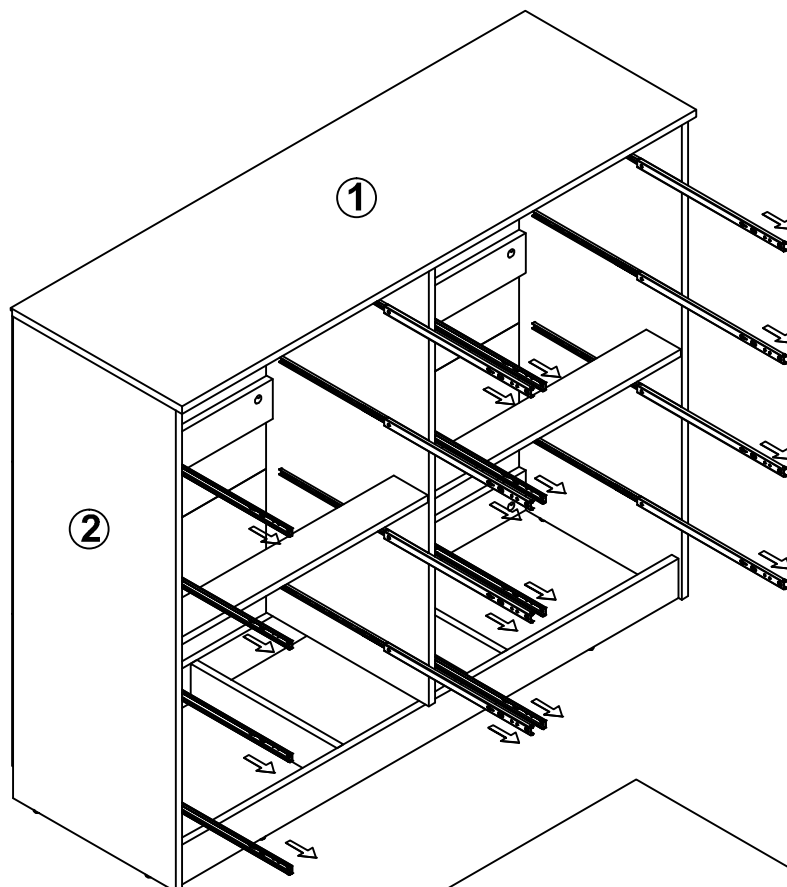


Screw

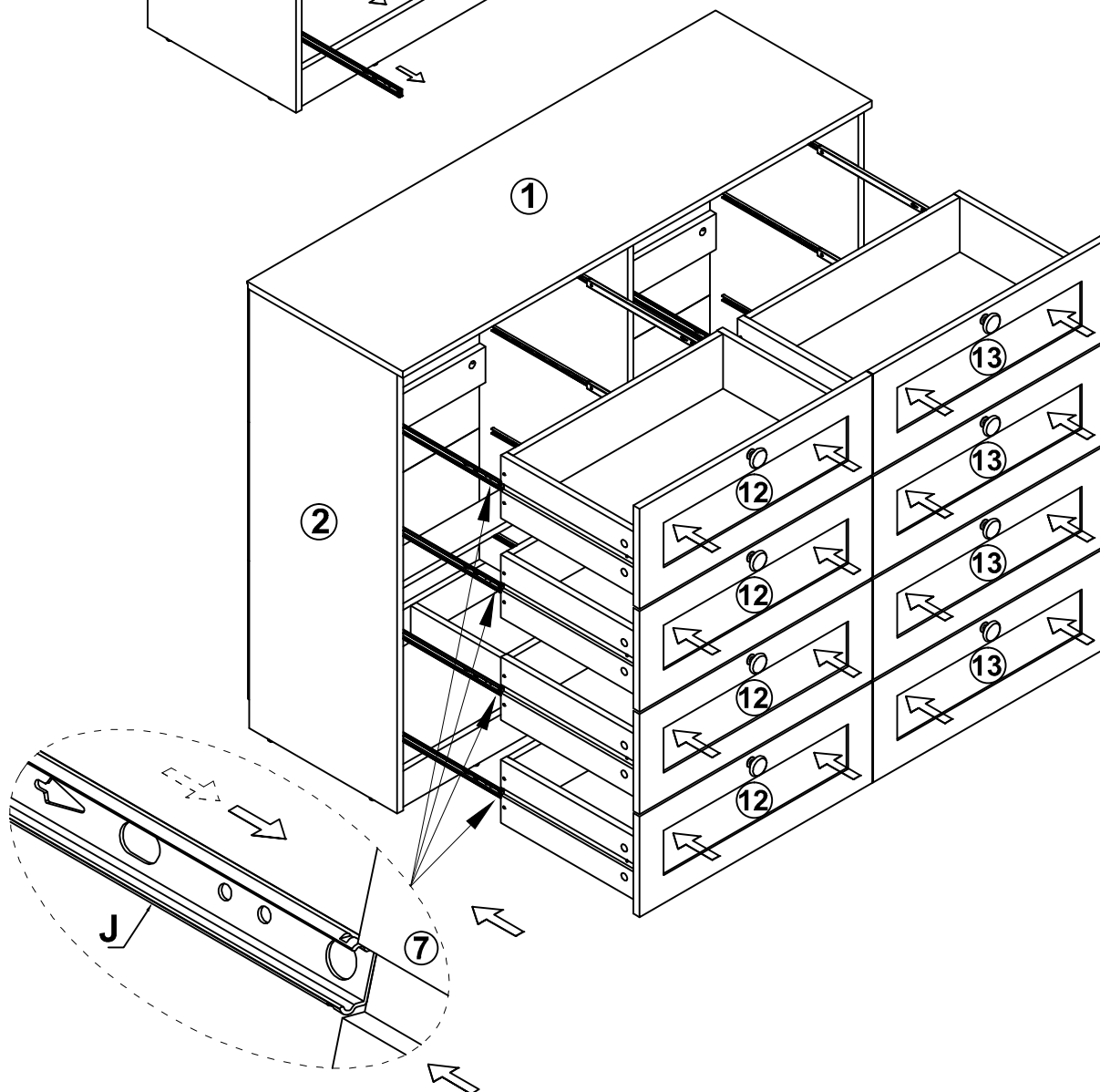


Assembly Instruction

Step 17



Step 18



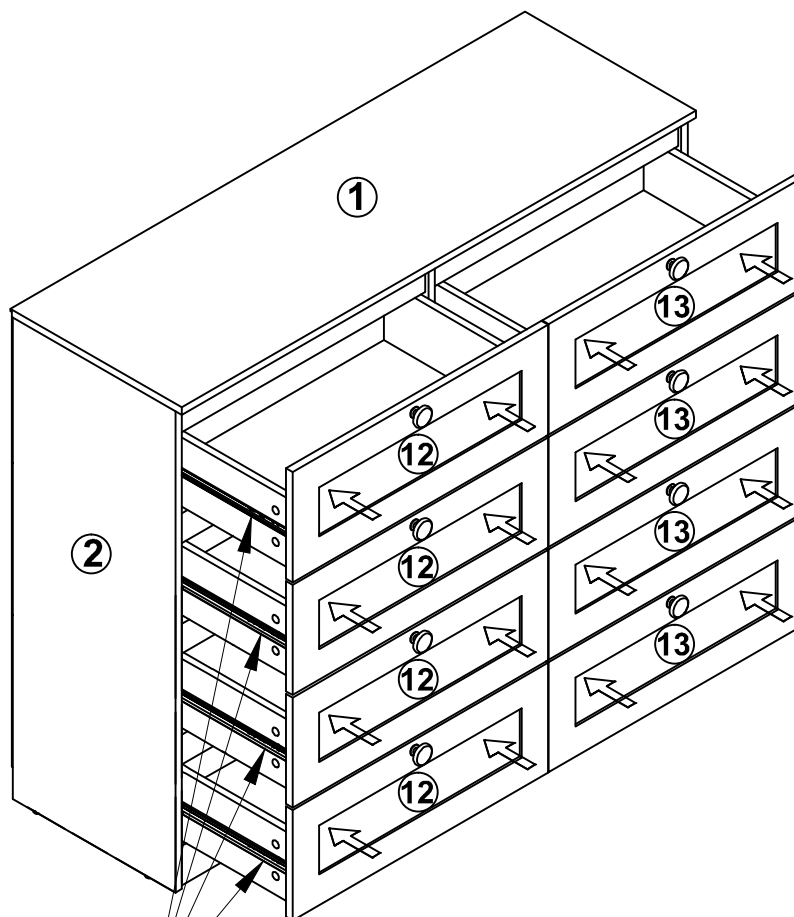
Assembly Instruction

Step 19

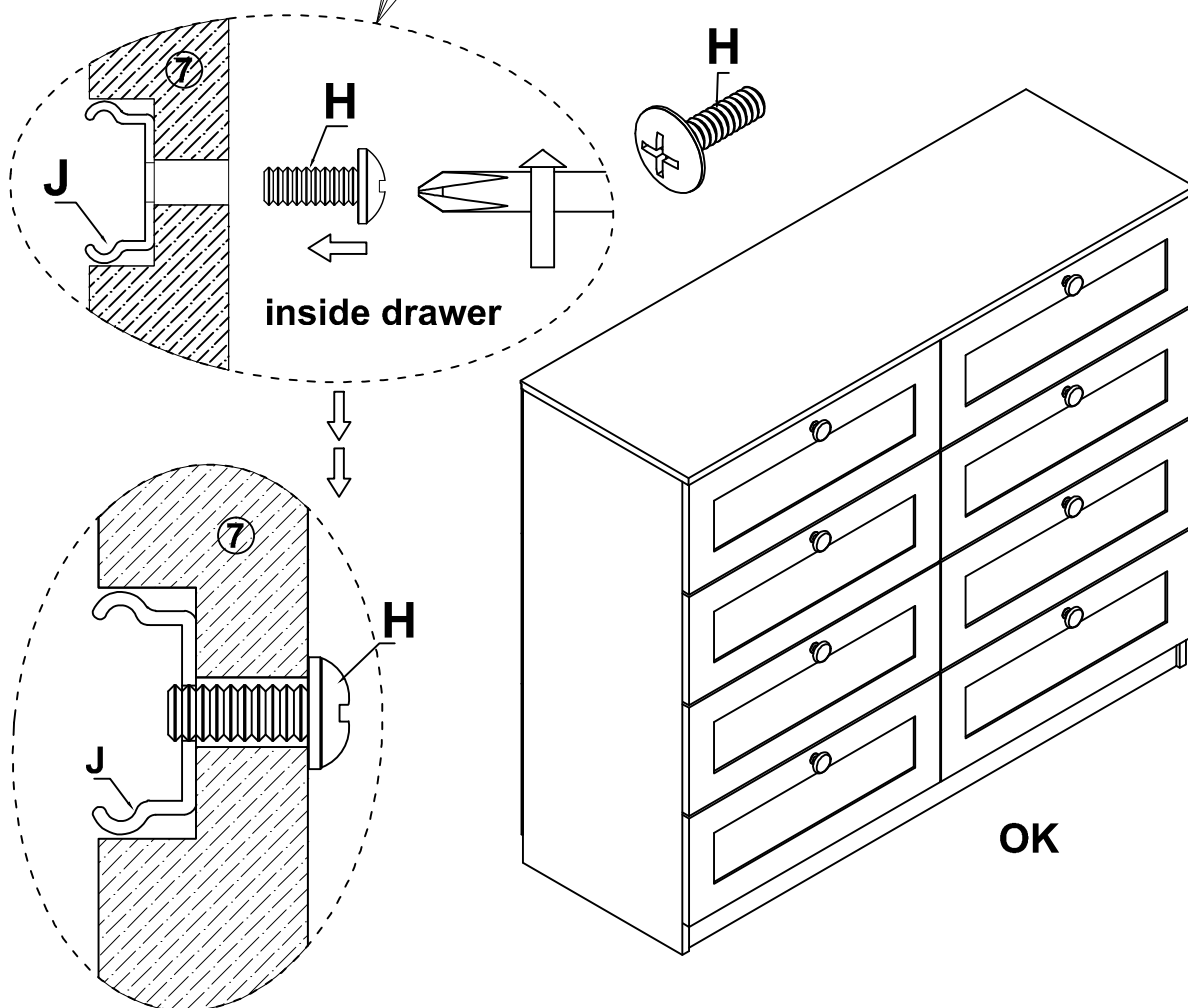
H=16



Screw
M4*12mm



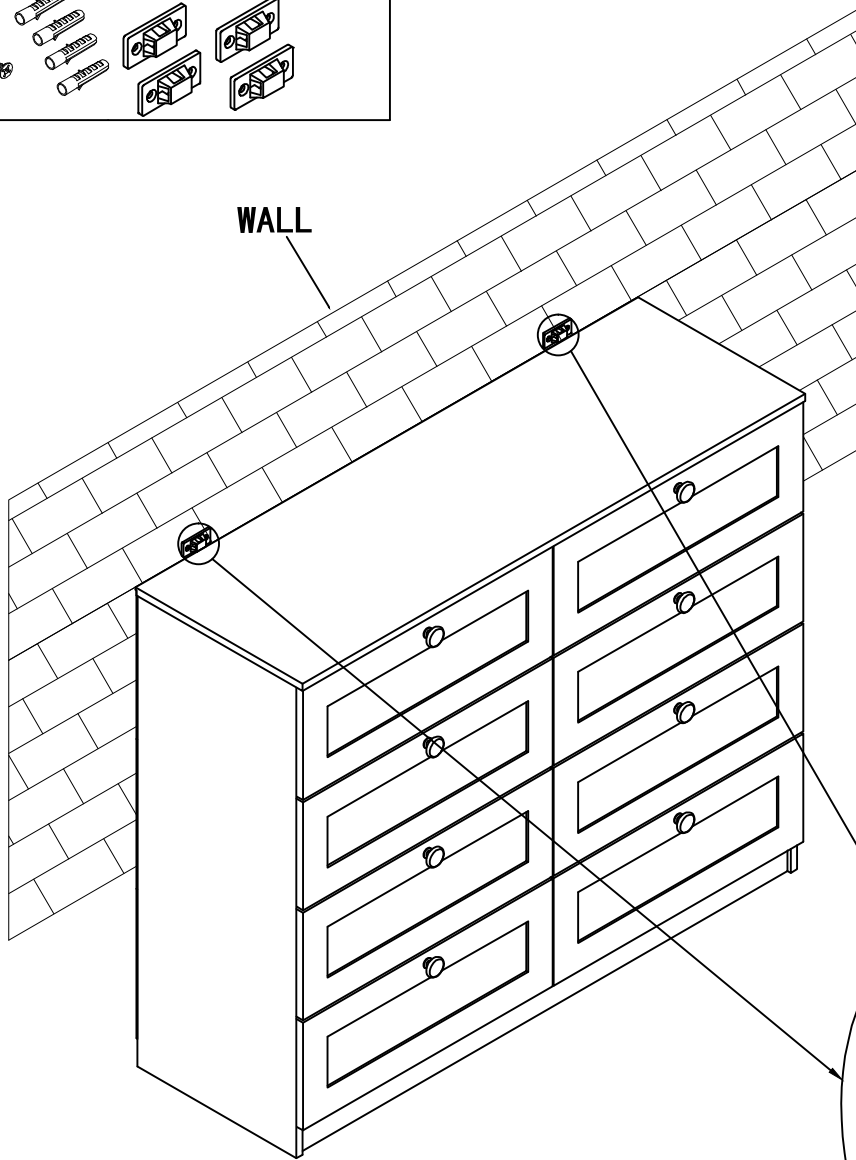
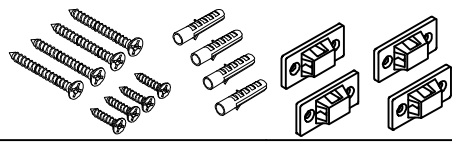
Step 20



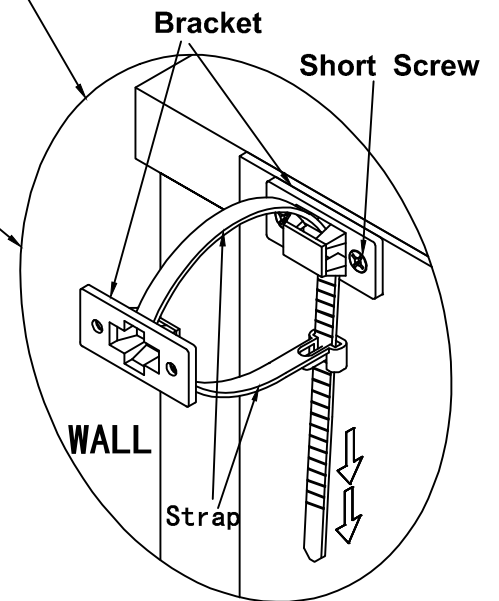
P=1



Wall bracket



WALL

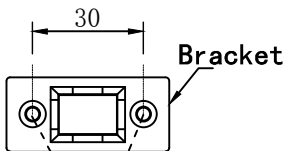


Bracket

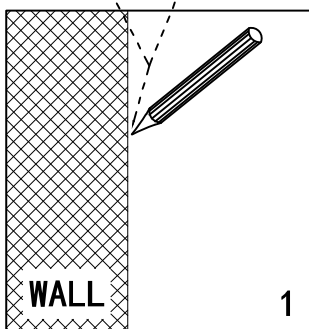
Short Screw

WALL

Strap

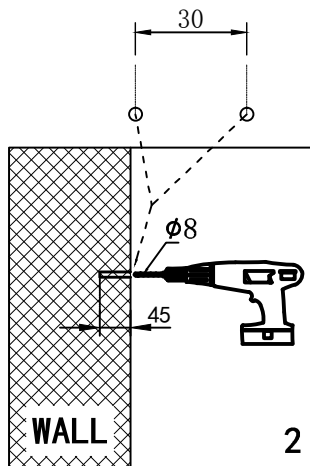


Bracket



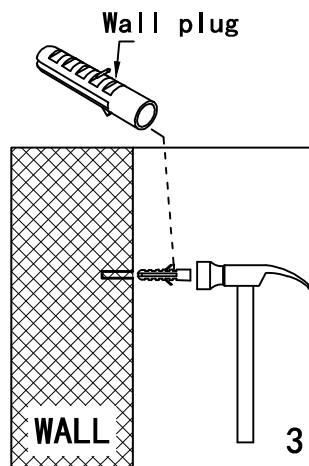
WALL

1



WALL

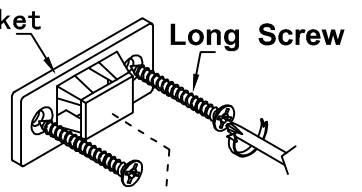
2



Wall plug

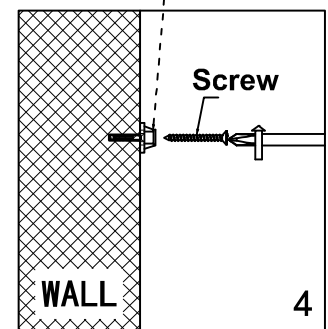
WALL

3



Bracket

Long Screw



Screw

WALL

4