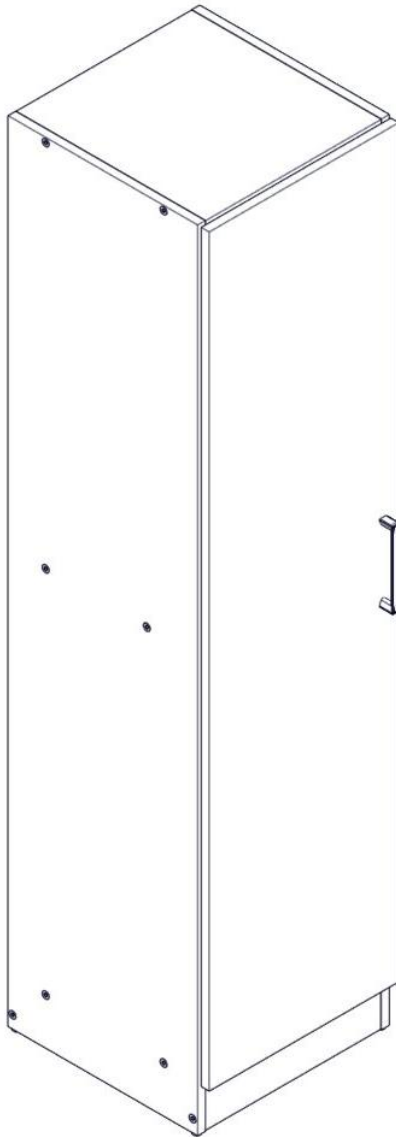


Assembly Instructions

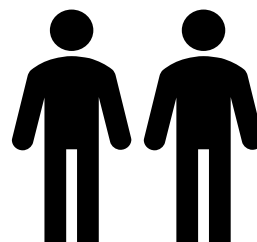
Assembly instructions

Warning -CHOKING HAZARD - Small Parts Not for children under 3 years. Adult assembly required.



Images for illustrative purposes only.

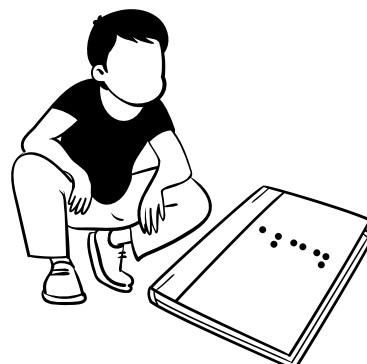
The assembly must be done by 2 people.

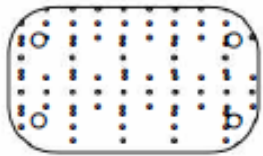


Tools needed to assemble the furniture.

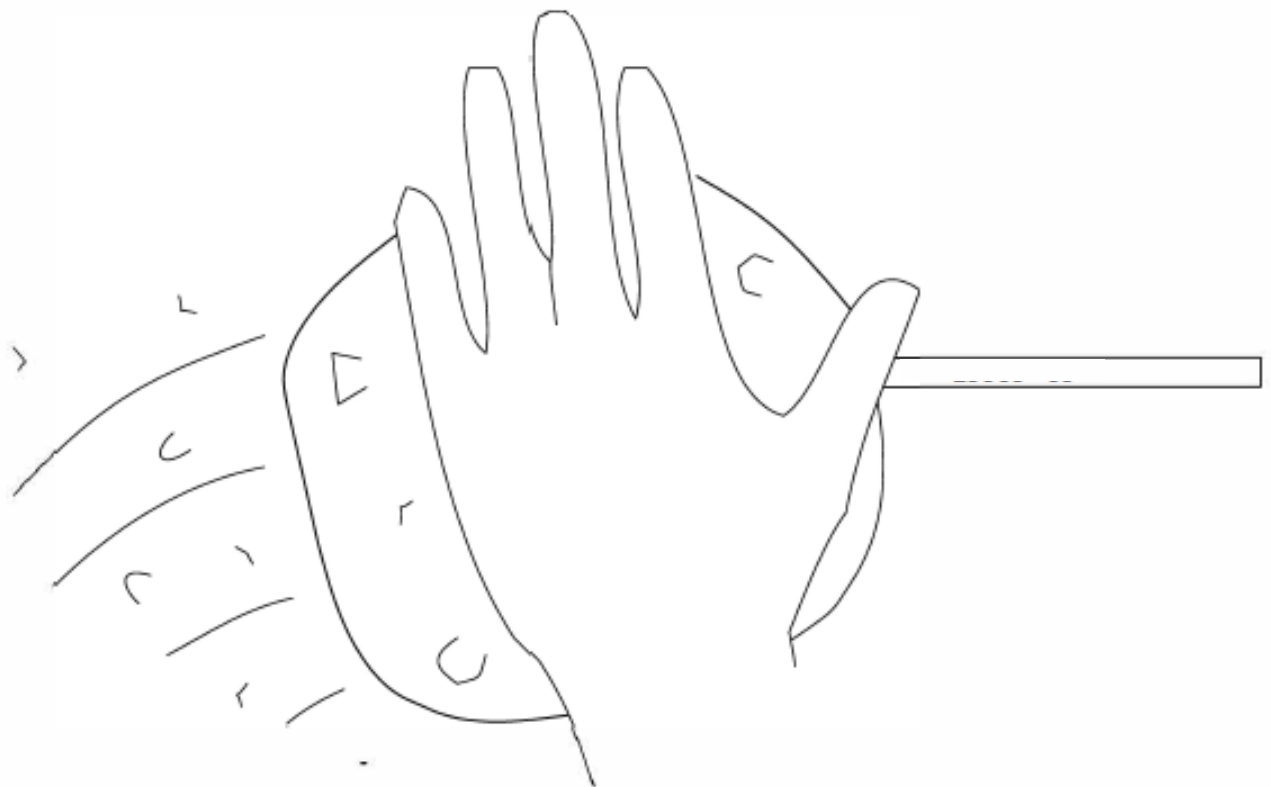


Assemble the furniture on a clean, flat surface.





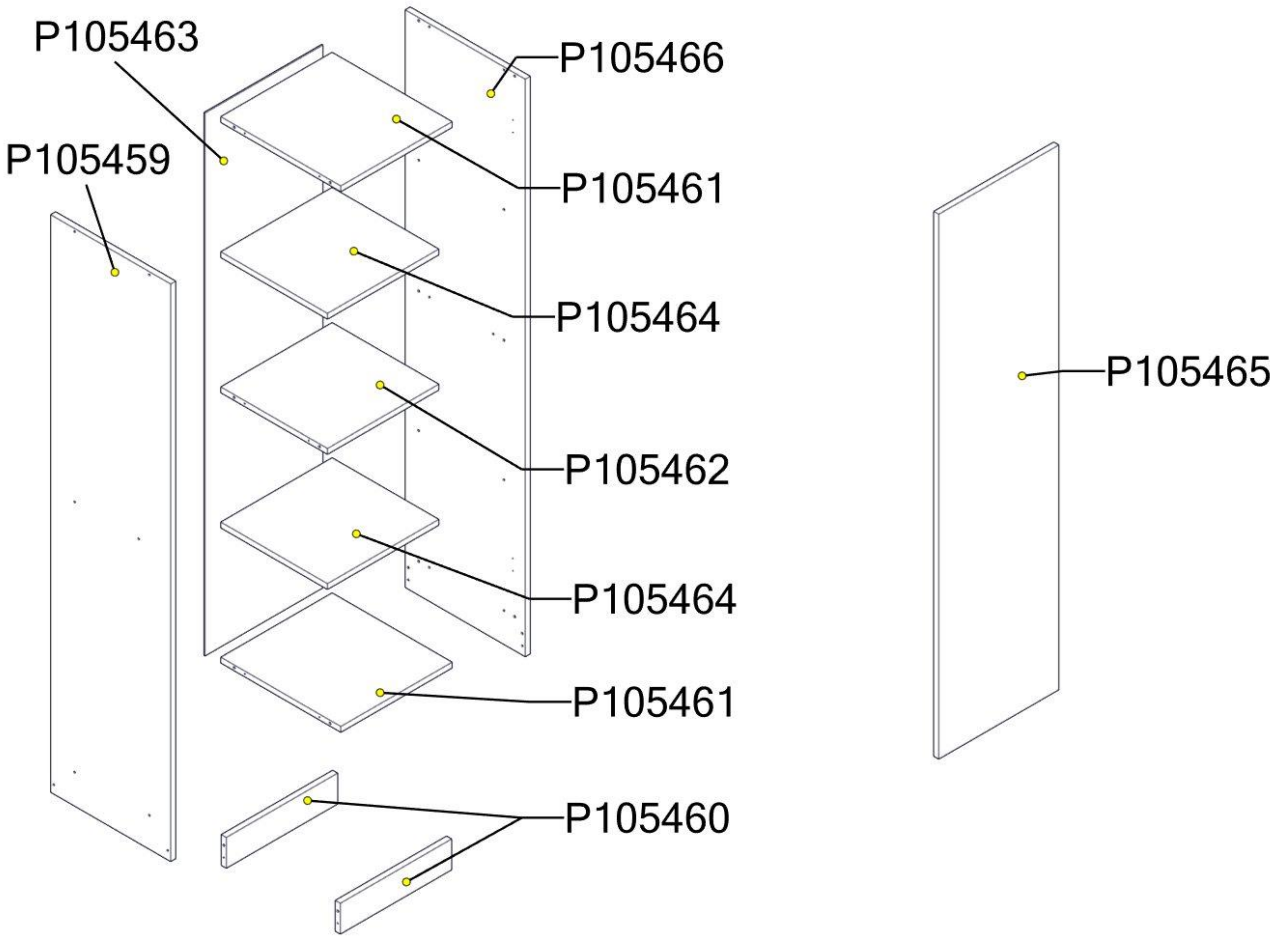
To Remove the printed number, apply a small amount of Glass Cleaner or Hand sanitizer and wipe with a paper towel.



**IDENTIFICAÇÃO DAS PEÇAS / IDENTIFICACIÓN DE LAS PIEZAS PARTS
IDENTIFICATION**

QTD.	CÓDIGO / CODE	DESCRIÇÃO (Internal production data)	Description	C x L x E	L x W x T
1	P105459	LATERAL ESQUERDA	LEFT SIDE	1500 x 360 x 15 mm	59.06 x 14.17 x 0.59 in
2	P105460	RODAPE	BASEBOARD	334 x 80 x 15 mm	13.15 x 3.15 x 0.59 in
2	P105461	BASE / CHAPÉU	BASE / HAT	334 x 360 x 15 mm	13.15 x 14.17 x 0.59 in
1	P105462	PRATELEIRA	SHELF	334 x 320 x 15 mm	13.15 x 12.60 x 0.59 in
1	P105463	COSTA	COAST	1410 x 354 x 3 mm	55.51 x 13.94 x 0.12 in
2	P105464	PRATELEIRA SOLTA	SHELF	334 x 320 x 15 mm	13.15 x 12.60 x 0.59 in
1	P105465	PORTA	DOOR	1415 x 360 x 15 mm	55.71 x 14.17 x 0.59 in
1	P105466	LATERAL DIREITA	RIGHT SIDE	1500 x 360 x 15 mm	59.06 x 14.17 x 0.59 in

Mobile



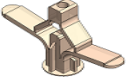

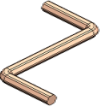



IDENTIFICATION OF ACCESSORIES

NOTE: Separating the accessories before starting assembly will make it easier. In case of doubt in the identification, place the accessory on the ruler.

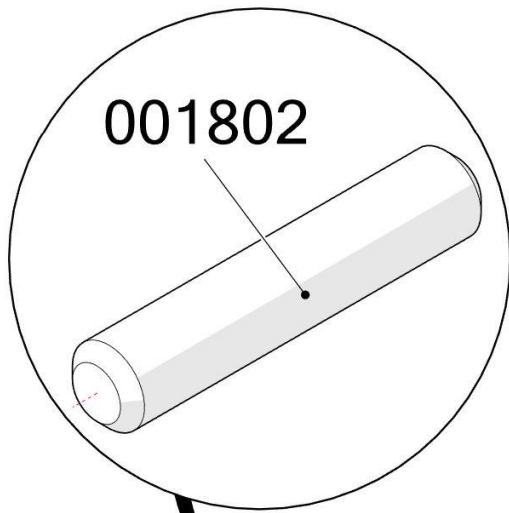
	QTD.	CÓDIGO / CODE	DESCRIÇÃO (Internal production data)	Description
	38	000107	PREGO 10 X 10 LISO	NAIL 10 X 10
	5	000108	PREGO 12 X 12 ARDOX	NAIL 12 X 12
	9	000118	SUP. P/ PRAT. 6 X 8MM BEGE	SHELF SUPPORT 6 X 8
	2	000899	CANTONEIRA PLASTICA PRETA	PLASTIC SUPPORT
	2	001178	P.FLANGE 3,5 X 16 CAB. PHILLIPS BC	SCREW 3,5 X 16
	16	001802	CAVILHAS DE MADEIRA 6X30 PINUS	DOWEL 6X30MM
	5	001901	SAPATA DESLIZADORA PRETA 15 X 6	SHOE 15 X 6
	8	004214	P.CHATO 3,5 X 14 CAB. PHILLIPS REBAIXADA ZB	SCREW 3,5 X 14MM
	3	014773	P.FLANGE 3,5 X 25 ZB	SCREW 3,5 X 25

IDENTIFICATION OF ACCESSORIES

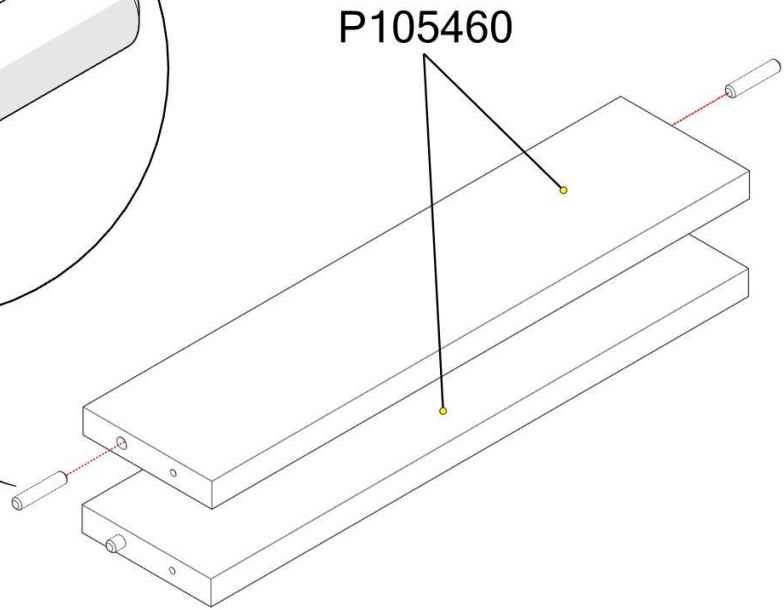
NOTE: Separating the accessories before starting assembly will make it easier. In case of doubt in the identification, place the accessory on the ruler.

	2	032069	BUCHA PARA GESSO FLY 2	FIXING BUSHING FOR PLASTER
	2	051980	P.CHATO 4,5 X 50 BC	FLAT HEAD SCREW 4,5 X 50MM
	2	055606	SUP. P/ FIXACAO DE PAREDE (EUA)	FIXATION SUPPORT
	1	055607	ABRACADEIRA NYLON 300 MM	NYLON CLAMP 300 MM
	1	058788	CHAVE ALLEN Z 3X40MM BC 04618 ZB/BC	ALLEN WRENCH
	8	061971	P.PANELA 4,0 X 14 ZB P/DOBRADICA	SCREW 4,0 X 14
	1	PX	PUX. ALENO FIT ANODIZADO 145MM	DOOR HANDLE 145MM
	17	075515	P.ESTRUTURAL 5 X 40 CAB. 13 ALLEN 3 C/PONTA ZB/BC	SCREW 5 X 40
	2	DO51	DOBRAD. RETA 35MM C/ CALCO H-2 NIQUELADA	HINGE AND SHIM
	16	13MM	TAPA FURO 13MM	SCREW CAP COVER 13MM

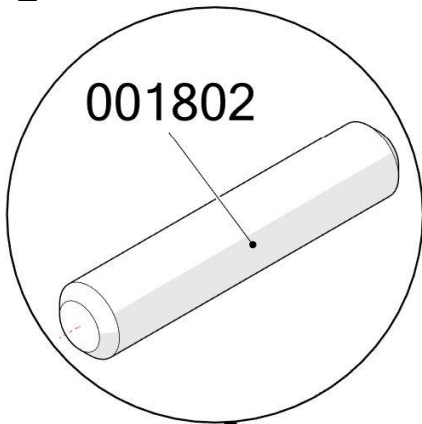
STEP 1



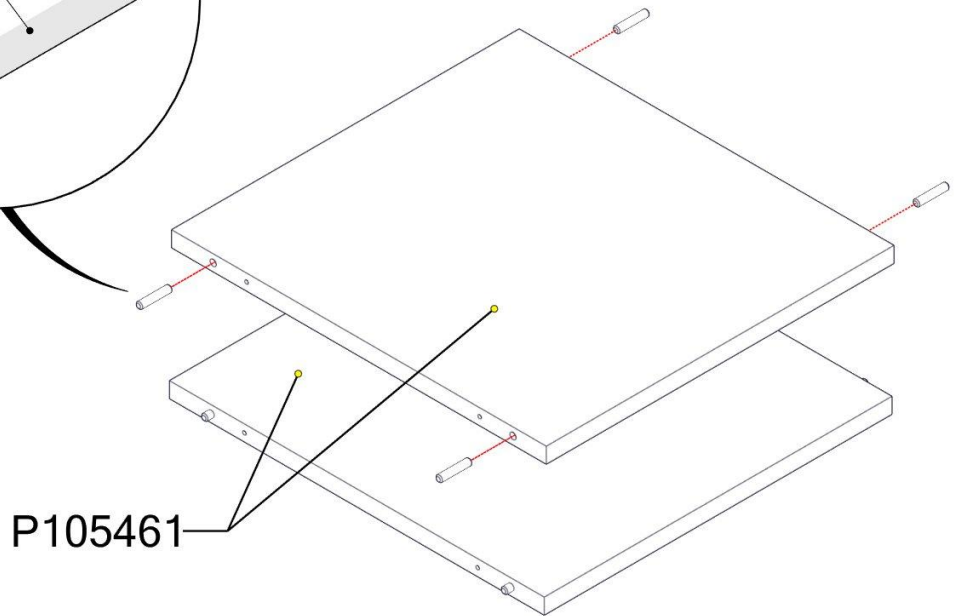
Cód.	Qtde.
001802	4



STEP 2

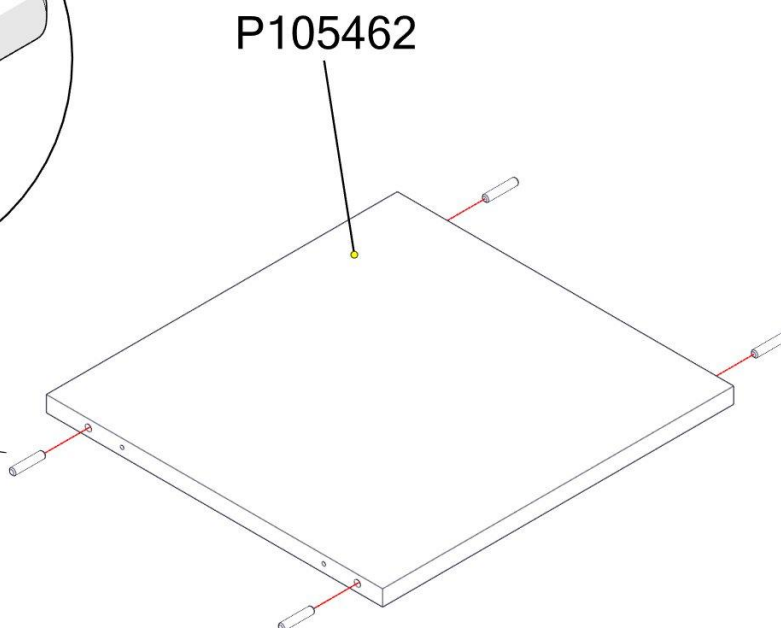
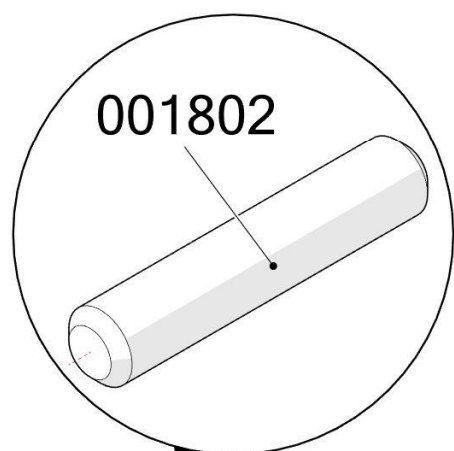


Cód.	Qtde.
001802	8



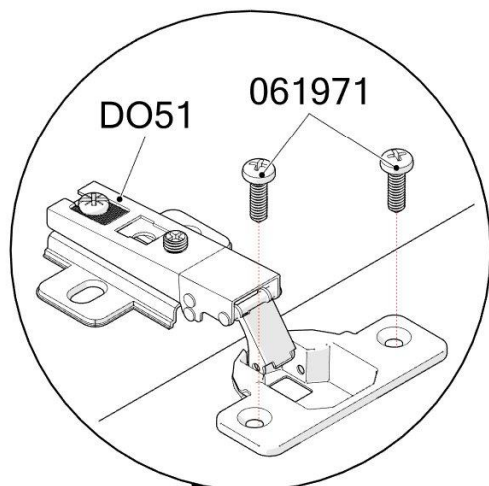
STEP 3

Cód.	Qtde.
001802	4

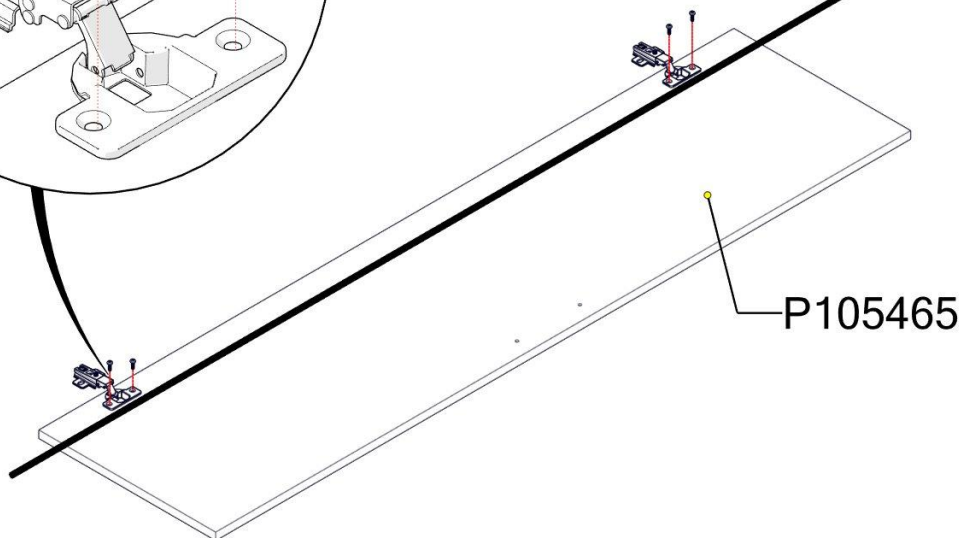


STEP 4

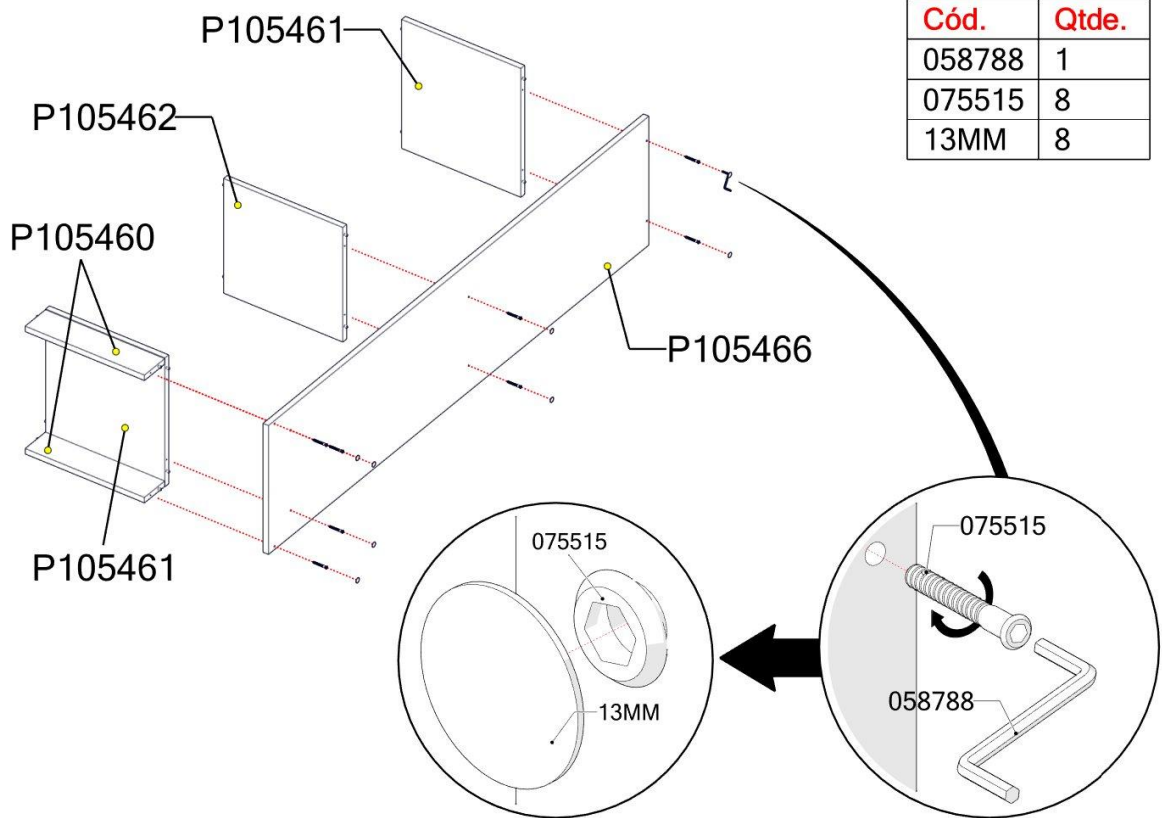
Cód.	Qtde.
061971	4
DO51	2



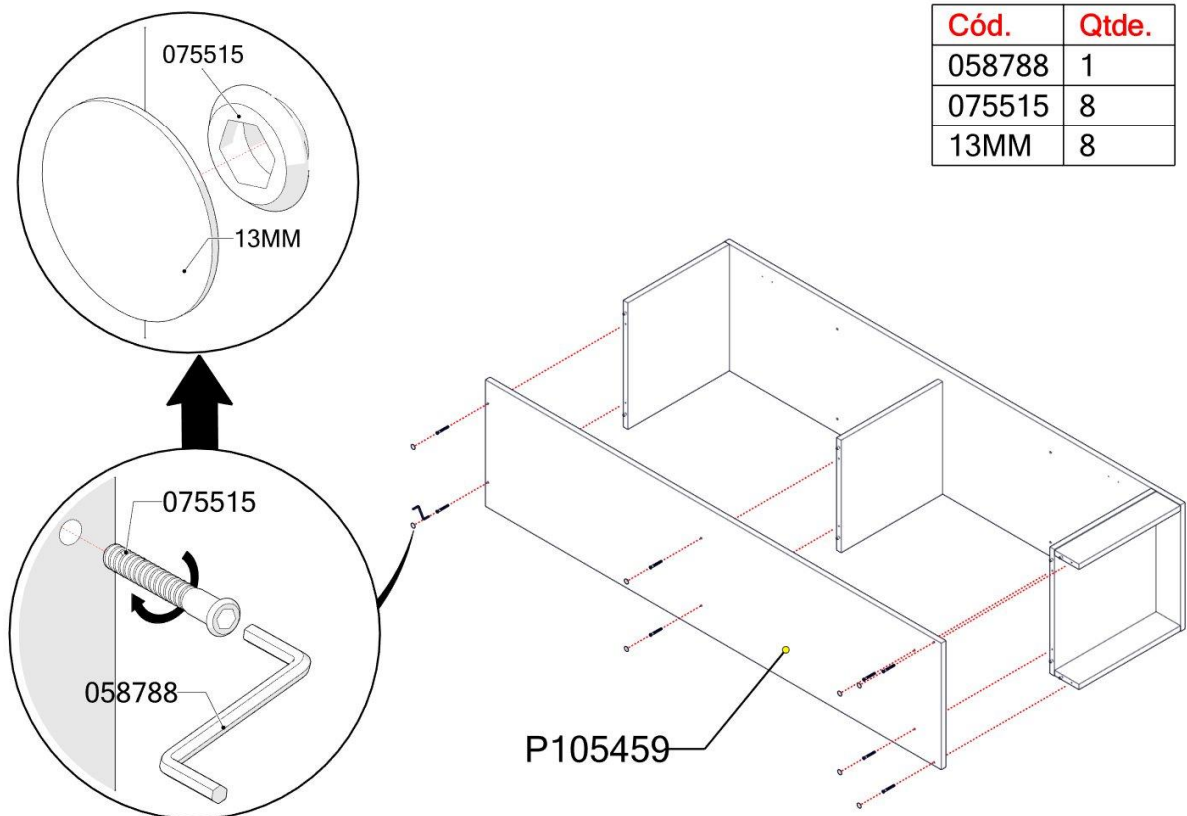
ATTENTION TO
THE ALIGNMENT
OF THE HINGES



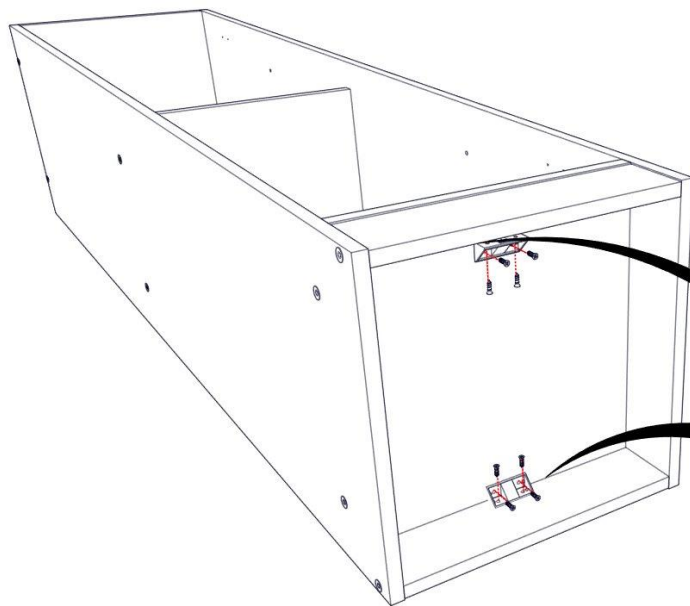
STEP 5



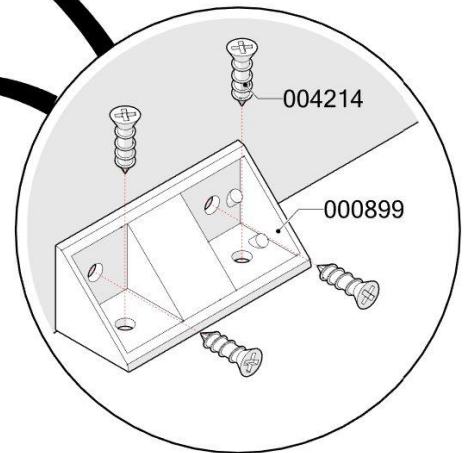
STEP 6



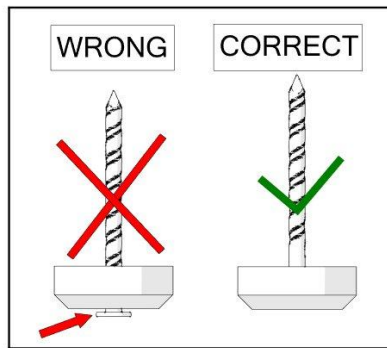
STEP 7



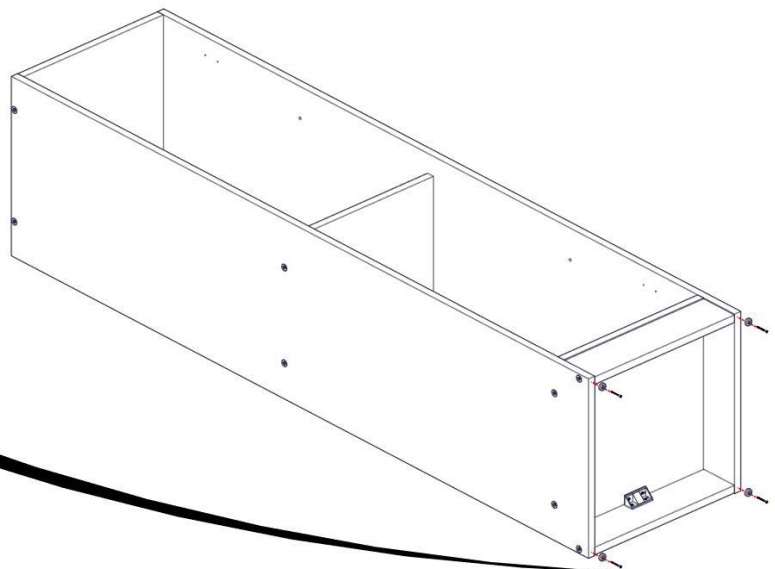
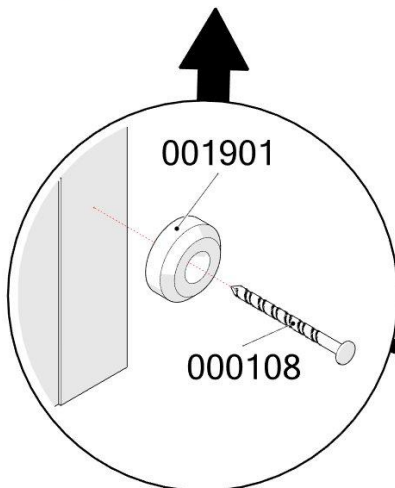
Cód.	Qtde.
000899	2
004214	8



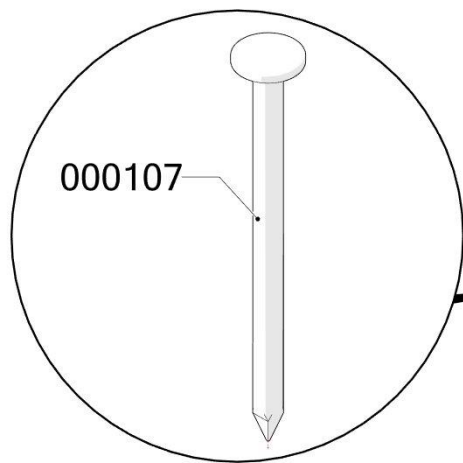
STEP 8



Cód.	Qtde.
000108	4
001901	4



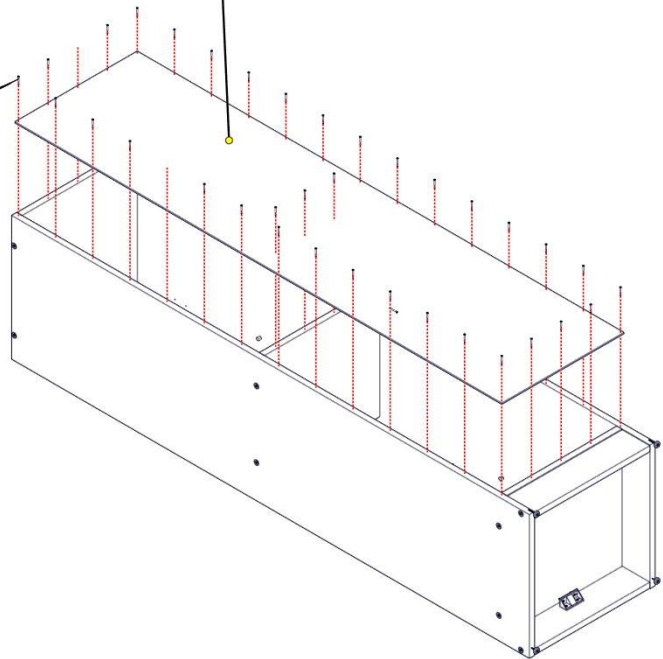
STEP 9



000107

Cód.	Qtde.
000107	38

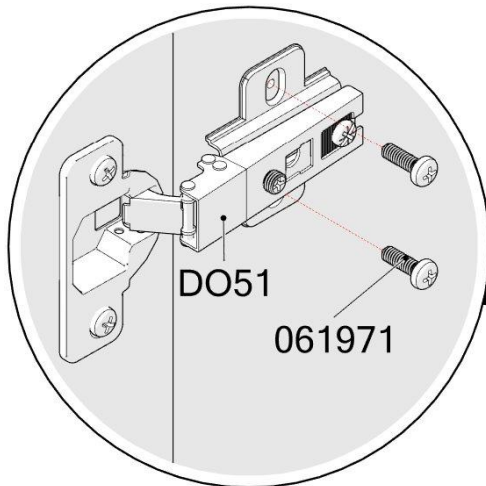
P105463



After checking that the back panel is squared to the side and top, nail the back panel in place.

Note: It is essential to place the furniture straight/ squared to avoid problems with the functioning and alignment of the doors.

STEP 10

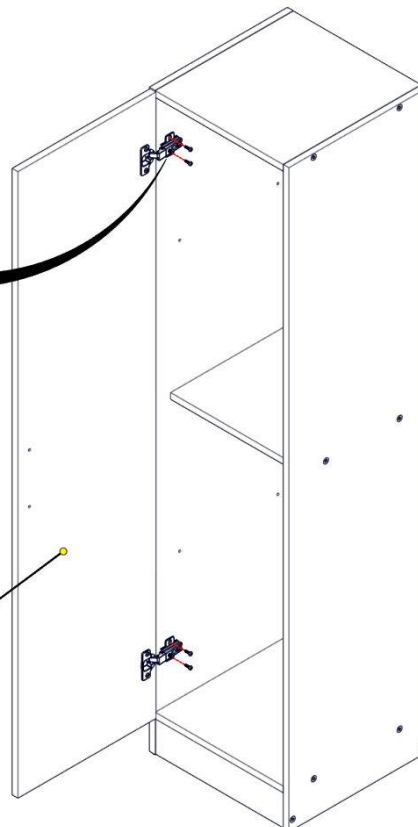


DO51

061971

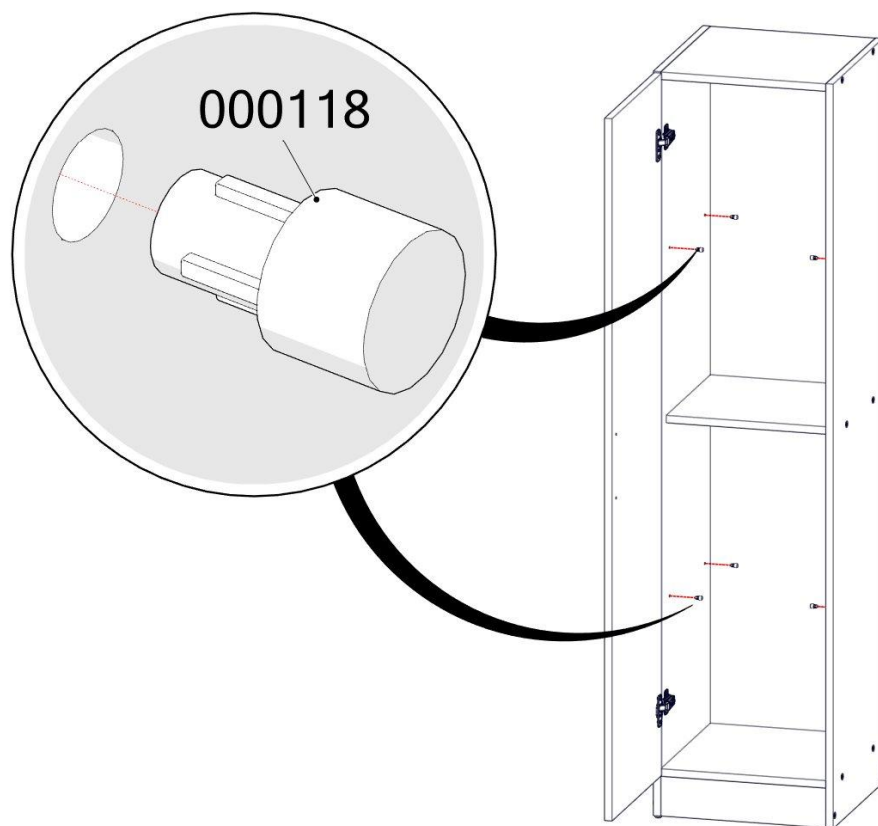
Cód.	Qtde.
061971	4

P105465

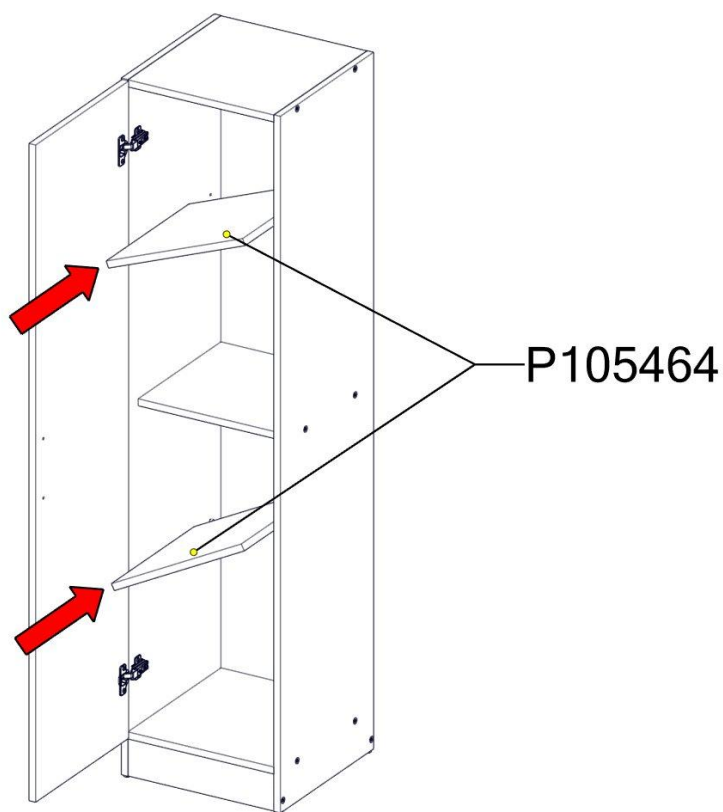


STEP 11

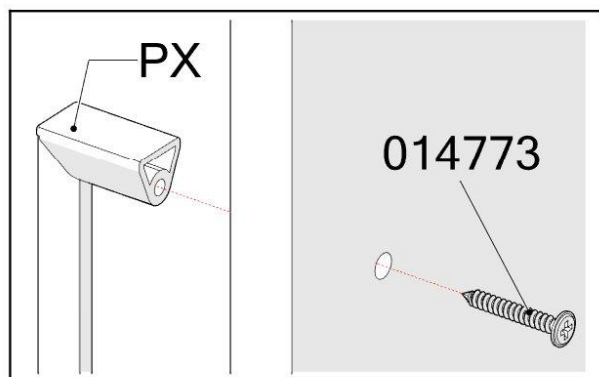
Cód.	Qtde.
000118	8



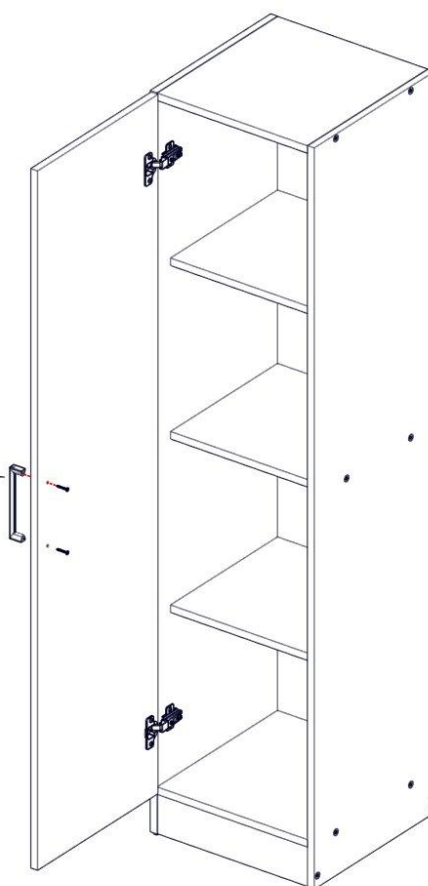
STEP 12



STEP 13



Cód.	Qtde.
014773	2
PX	1

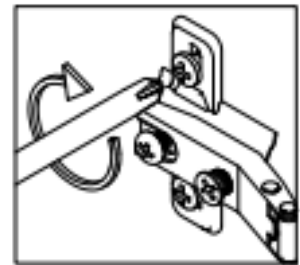
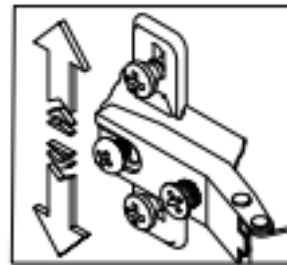
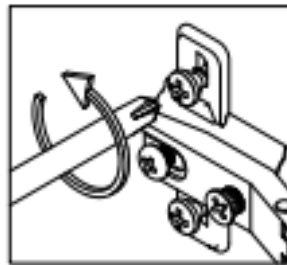
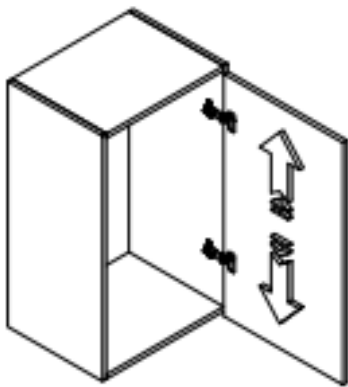


STEP 14

Doors adjustment

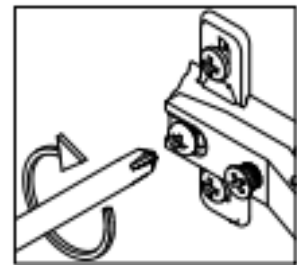
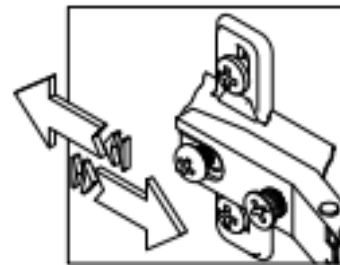
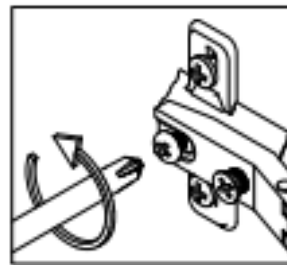
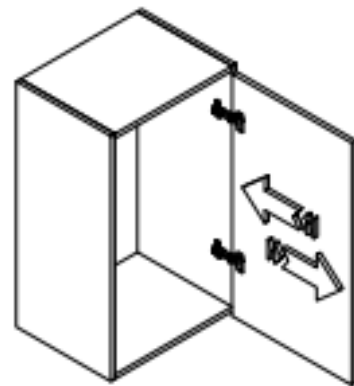
VERTICAL ADJUSTMENT

ILLUSTRATIVE



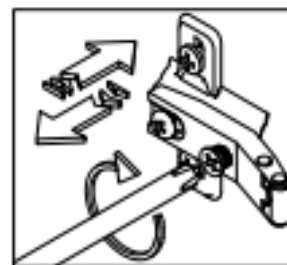
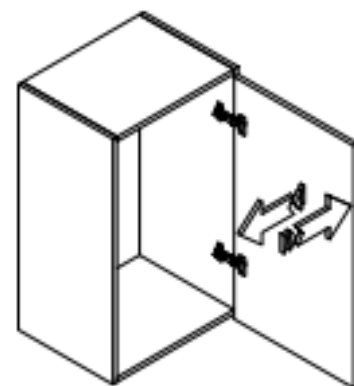
DEPTH ADJUSTMENT

ILLUSTRATIVE



HORIZONTAL ADJUSTMENT

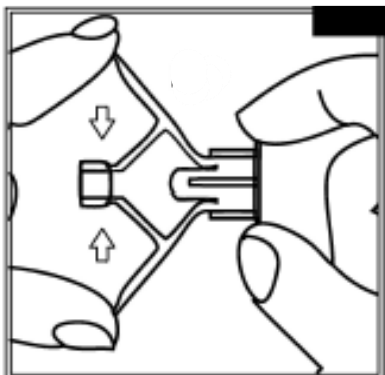
ILLUSTRATIVE



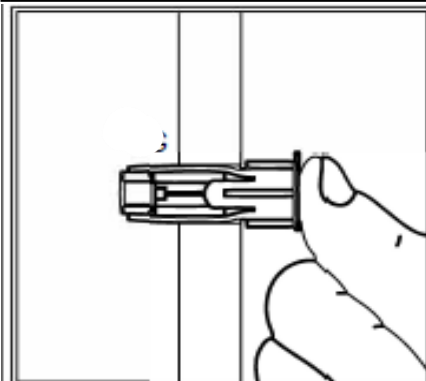
STEP 15

NOTE: Do not turn the DRYWALL ANCHOR into a 10 fasten the SAFETY ANTI-TIPPING

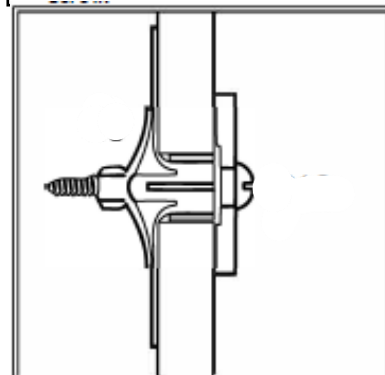
Compress the wings of anchor before inserting.



Insert the chuck into the hole of the base material.

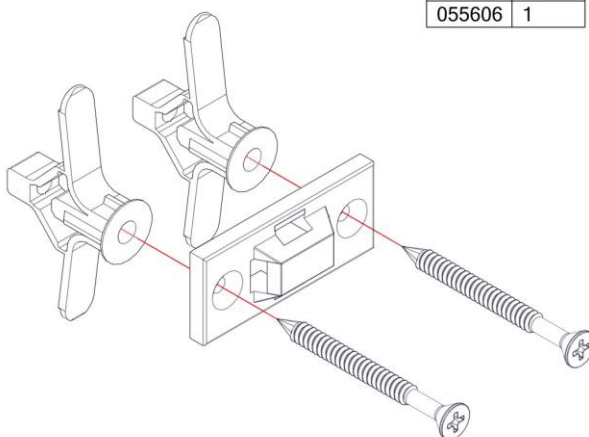


Position the object over the bushing and secure it with a screw.



WALL

Cód.	Qtde.
032069	2
051980	2
055606	1



Important

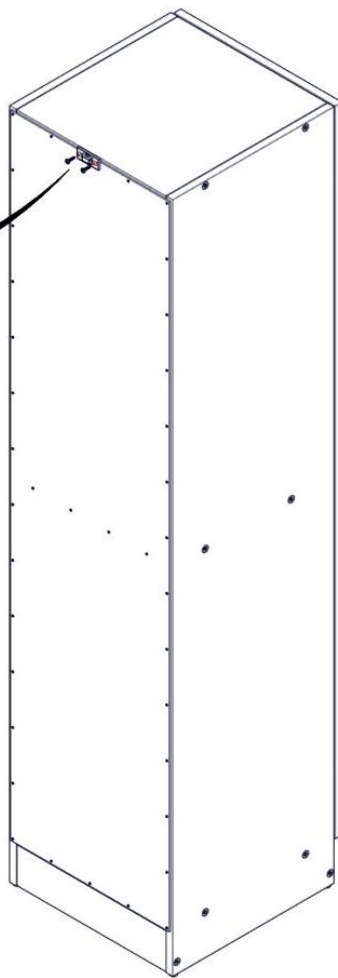
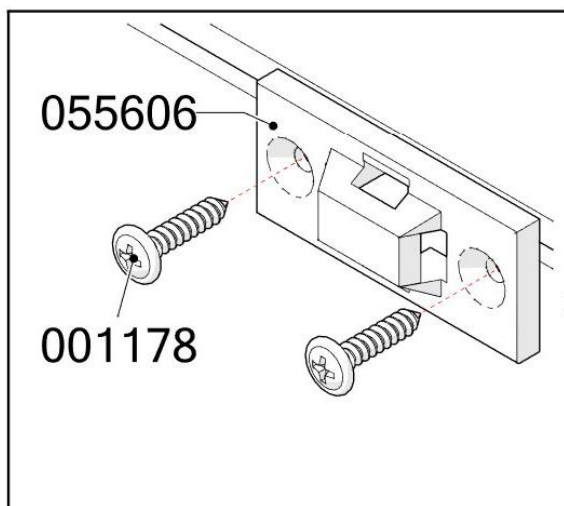
The minimum length of the screw must be the bushing length + object thickness that will be fixed.

To guarantee the wing expansion function of the bushing, after the screw head is at the object to be fixed, one must continue to rotate the screw until maximum torque is reached.

Pierce the base material a 0.39 in. drill.

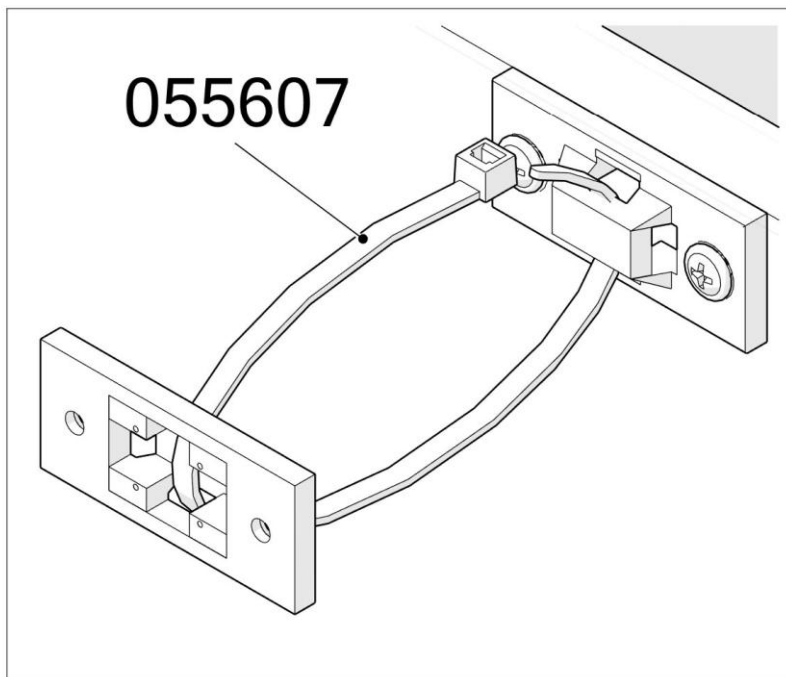


STEP 16



Cód.	Qtde.
001178	2
055606	1

STEP 17



A WARNING – Anti-Tip Advisory

Potential of serious fatal crushing injuries may occur from furniture tip-over. To help prevent tip-over:

ALWAYS INSTALL the tip-over restrain that came with your furniture. This tip-over restrains only reduces but does **NOT** completely eliminate the risk of tip-over

- **ALWAYS** Place the heaviest items in the lowest/bottom drawer.
- **NEVER** place heavy objects on top of this product.
- **NEVER** allow children to scale/climb/hang on the drawers, doors, or shelves.
- **NEVER** open more than one drawer at a time.

B ADVERTENCIA - Aviso antivuelco

Pueden producirse lesiones graves por aplastamiento mortales debido al vuelco de los muebles. Para ayudar a prevenir vuelcos:

- **SIEMPRE INSTALE** el sistema de retención que viene con sus muebles. Este sistema antivuelco solo reduce pero **NO** elimina por completo el riesgo de vuelco.
- **SIEMPRE** coloque los artículos más pesados en el cajón más bajo /inferior.
- **NUNCA** coloque objetos pesados encima de este producto.
- **NUNCA** permita que los niños escalen, trepen o se cuelguen de los cajones, puertas o estantes.
- **NUNCA** abra más de un cajón a la vez