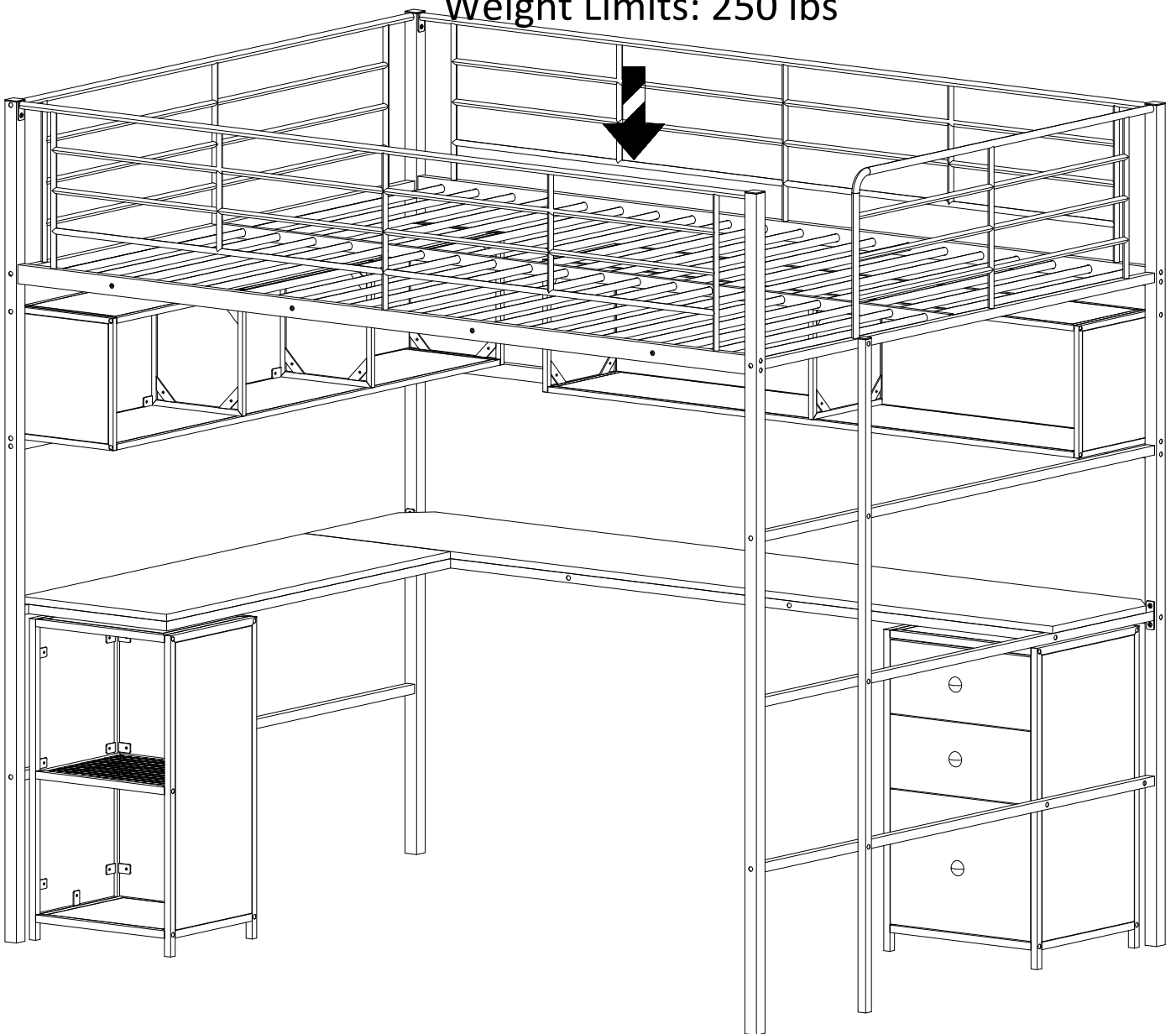


ASSEMBLY INSTRUCTIONS

SKU CODE: MF310759/MF310760

Weight Limits: 250 lbs





SAFETY WARNING



1. This bed is designed for use only mattress (es) meeting the following specifications on the upper bunk:

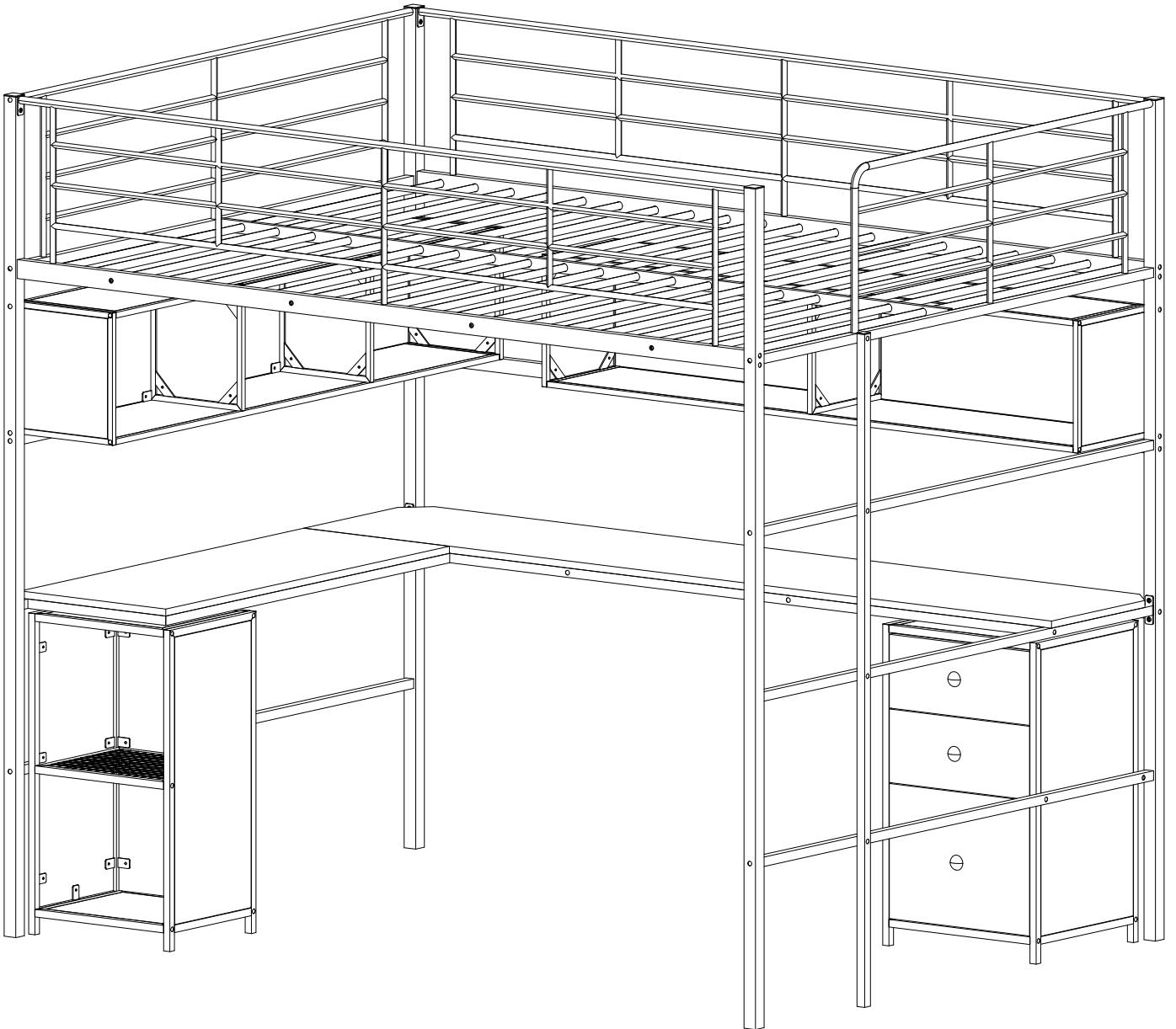
Upper bunk

Bed type	Length	Width	Thickness
Full Standard	74" - 75"	53 ½"	6" max

2. Replacement parts, including additional guardrails, maybe obtained from any of our (GIGACLOUD TECHNOLOGY (USA) INC. 18961 ARENTH AVENUE CITY OF INDUSTRY, CA, 91748) dealers
3. Follow the information on the warnings appearing on the upper bunk bed end structure and on the carton. Do not remove warning label from bed.
4. Always use the recommended size mattresses or mattress supports, or both, to help prevent the likelihood of entrapment or falls.
5. Surface of mattress must be at least 5" (127mm) below the upper edge of guardrails.
6. Do not allow children under 6 years of age to use the upper bunk.
7. Periodically check and ensure that the guardrail, ladder, and other components are in their proper position, free from damage, and that all connectors are tight.
8. Do not allow horseplay on or under the bed and prohibit jumping on the bed.
9. Always use the ladder for entering and leaving the upper bunk.
10. Do not use substitute part. Contact the manufacture or dealer for replacement part.
11. Use of a night light may provide added safety precaution for a child using the upper bunk.
12. Always use guardrails on both long sides of the upper bunk. If the bunk bed will be placed next to the wall, the guardrail that runs the full length of the bed should be placed against the wall to prevent entrapment between the bed and wall.
13. The use of water or sleep flotation mattresses is prohibited.
14. STRANGULATION HAZARD - Never attach or hang items to any part of the bunk bed that are not designed for use with the bed; for example, but not limited to, hook, belts and jump ropes.
15. Keep these instruction for future reference.
16. Prohibit more than one person on upper bunk
17. We recommend assembling your bunk bed on the shipping carton to protect your floor or carpet.
18. Be certain all staples are out of the box before beginning assembly on the shipping carton.

ASSEMBLY INSTRUCTIONS

LOFT BED WITH SHELF



Thank you for purchasing this quality product. Be sure to check all packing material carefully for small parts which may have come loose inside the carton during shipment. Separate, identify and count all parts and hardware.

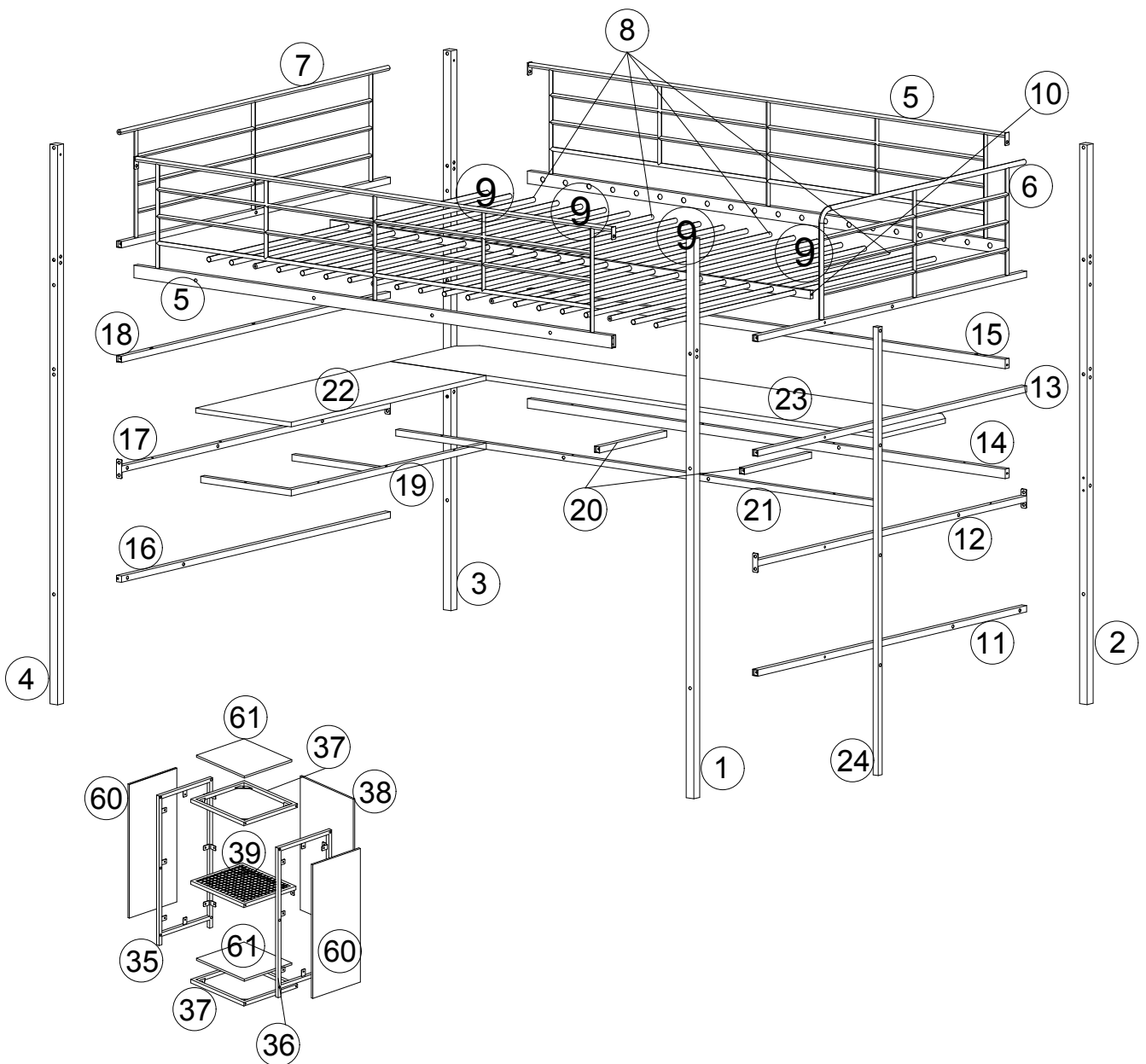
Compare with the parts list to be sure all parts are present.

"DO NOT TIGHTEN SCREWS UNTIL COMPLETELY ASSEMBLED"

Detail View

LOFT BED WITH SHELF

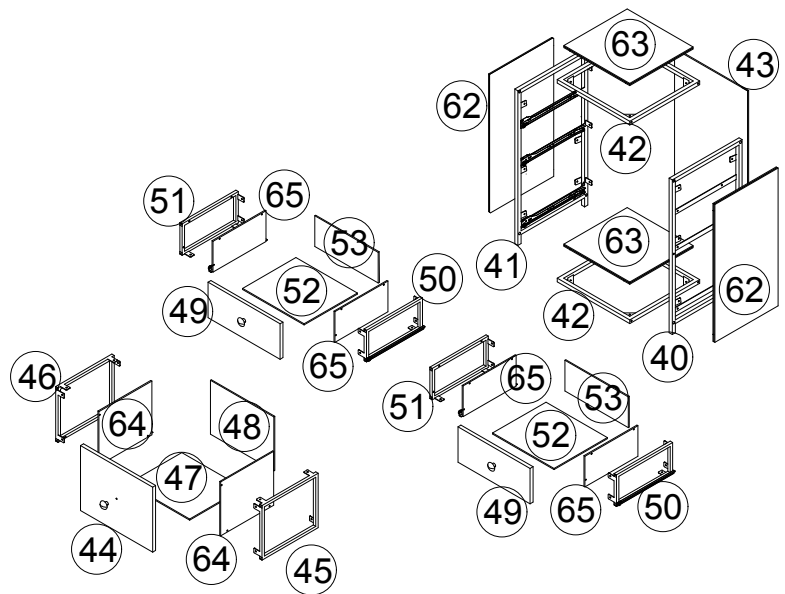
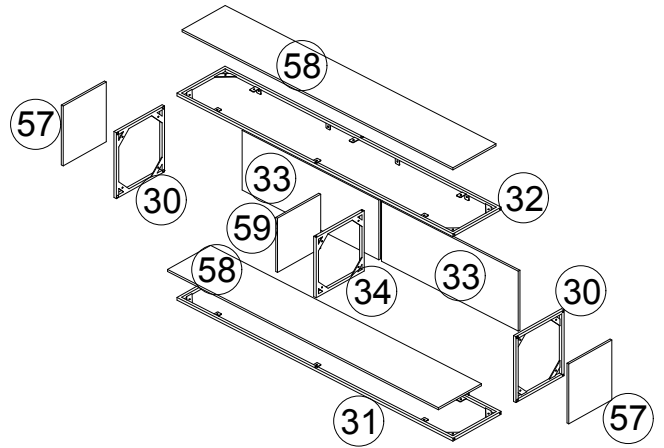
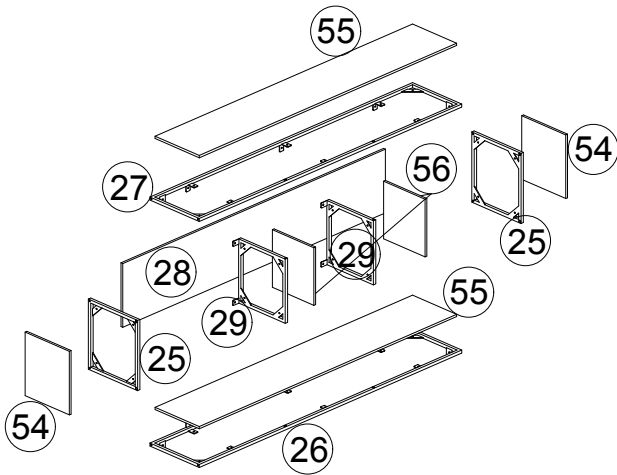
IMPORTANT:
PLEASE READ INSTRUCTION BEFORE STARTING THE ASSEMBLY







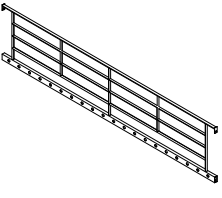


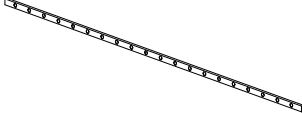



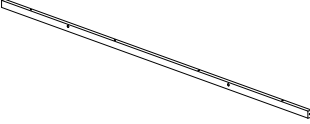
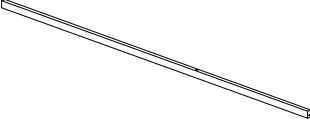

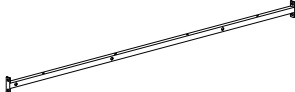

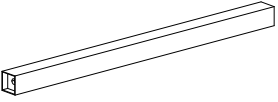
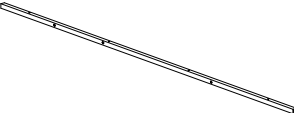



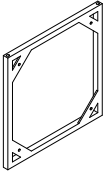
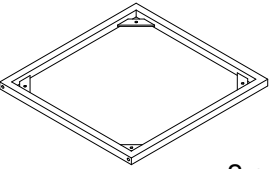


Detail View

LOFT BED WITH SHELF

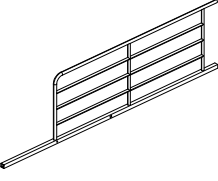
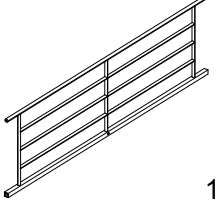
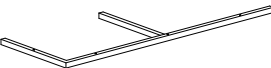
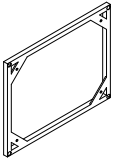
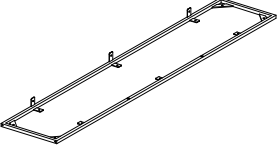
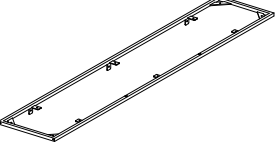

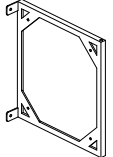
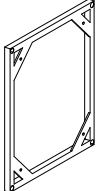
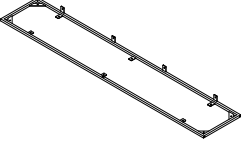
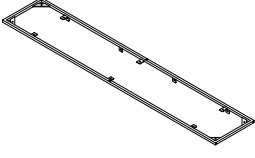

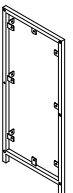
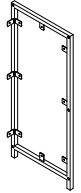
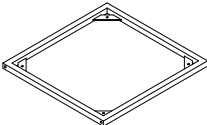

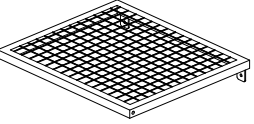
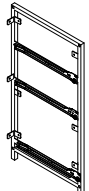
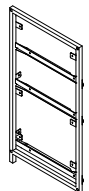

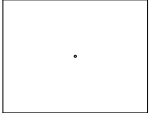
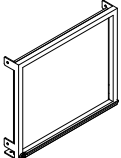
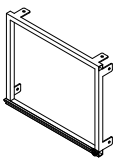

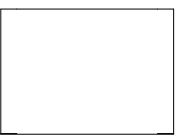
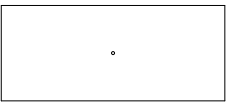
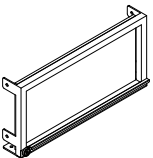
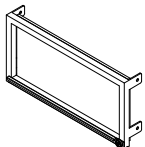
IMPORTANT:
PLEASE READ INSTRUCTION BEFORE STARTING THE ASSEMBLY






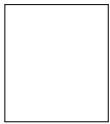



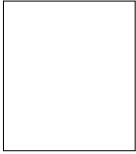


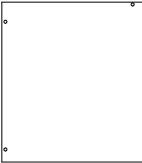

PART LIST MF310759

<p>① Vertical bar</p>  <p>1 pc</p>	<p>② Vertical bar</p>  <p>1 pc</p>	<p>③ Vertical bar</p>  <p>1 pc</p>	<p>④ Vertical bar</p>  <p>1 pc</p>
<p>⑤ Guard Frame</p>  <p>2 pcs</p>	<p>⑧ Slats</p>  <p>4 pcs</p>	<p>⑨ Slats</p>  <p>16 pcs</p>	<p>⑩ Horizontal bar</p>  <p>1 pc</p>
<p>⑪ Horizontal bar</p>  <p>1 pc</p>	<p>⑫ Horizontal bar</p>  <p>1 pc</p>	<p>⑬ Horizontal bar</p>  <p>1 pc</p>	<p>⑭ Horizontal bar</p>  <p>1 pc</p>
<p>⑮ Horizontal bar</p>  <p>1 pc</p>	<p>⑯ Horizontal bar</p>  <p>1 pc</p>	<p>⑰ Horizontal bar</p>  <p>1 pc</p>	<p>⑱ Horizontal bar</p>  <p>1 pc</p>
<p>⑳ Horizontal bar</p>  <p>2 pcs</p>	<p>㉑ Horizontal bar</p>  <p>1 pc</p>	<p>㉒ Desktop</p>  <p>1 pc</p>	<p>㉓ Desktop</p>  <p>1 pc</p>
<p>㉔ Stair slats</p>  <p>1 pc</p>	<p>㉔ Shelf Frame</p>  <p>1 pc</p>	<p>㉔ Shelf Frame</p>  <p>2 pcs</p>	<p>㉔ plank</p>  <p>2 pcs</p>
<p>㉔ plank</p>  <p>1 pc</p>			

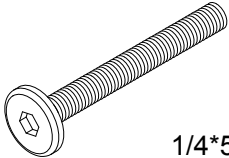
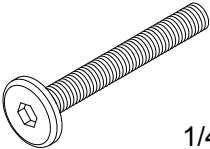
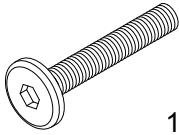
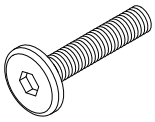
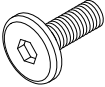
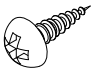
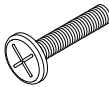

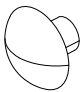
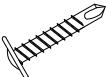
PART LIST MF310760

<p>⑥ Guard Frame</p>  <p>1 pc</p>	<p>⑦ Guard Frame</p>  <p>1 pc</p>	<p>⑱ Desk Frame</p>  <p>1 pc</p>	<p>⑲ Shelf Frame</p>  <p>2 pcs</p>
<p>⑳ Shelf Frame</p>  <p>1 pc</p>	<p>㉑ Shelf Frame</p>  <p>1 pc</p>	<p>㉒ plank</p>  <p>1 pc</p>	<p>㉓ Shelf Frame</p>  <p>2 pcs</p>
<p>㉔ Shelf Frame</p>  <p>2 pcs</p>	<p>㉕ Shelf Frame</p>  <p>1 pc</p>	<p>㉖ Shelf Frame</p>  <p>1 pc</p>	<p>㉗ plank</p>  <p>2 pcs</p>
<p>㉘ Shelf Frame</p>  <p>1 pc</p>	<p>㉙ Shelf Frame</p>  <p>1 pc</p>	<p>㉚ Shelf Frame</p>  <p>2 pcs</p>	<p>㉛ plank</p>  <p>1 pc</p>
<p>㉜ Shelf Frame</p>  <p>1 pc</p>	<p>㉝ Cabinet side</p>  <p>1 pc</p>	<p>㉞ Cabinet side</p>  <p>1 pc</p>	<p>㉟ plank</p>  <p>1 pc</p>
<p>㊱ plank</p>  <p>1 pc</p>	<p>㊲ Drawer sides</p>  <p>1 pc</p>	<p>㊳ Drawer sides</p>  <p>1 pc</p>	<p>㊴ plank</p>  <p>1 pc</p>
<p>㊵ plank</p>  <p>1 pc</p>	<p>㊶ plank</p>  <p>2 pcs</p>	<p>㊷ Drawer sides</p>  <p>2 pcs</p>	<p>㊸ Drawer sides</p>  <p>2 pcs</p>

PART LIST MF310760

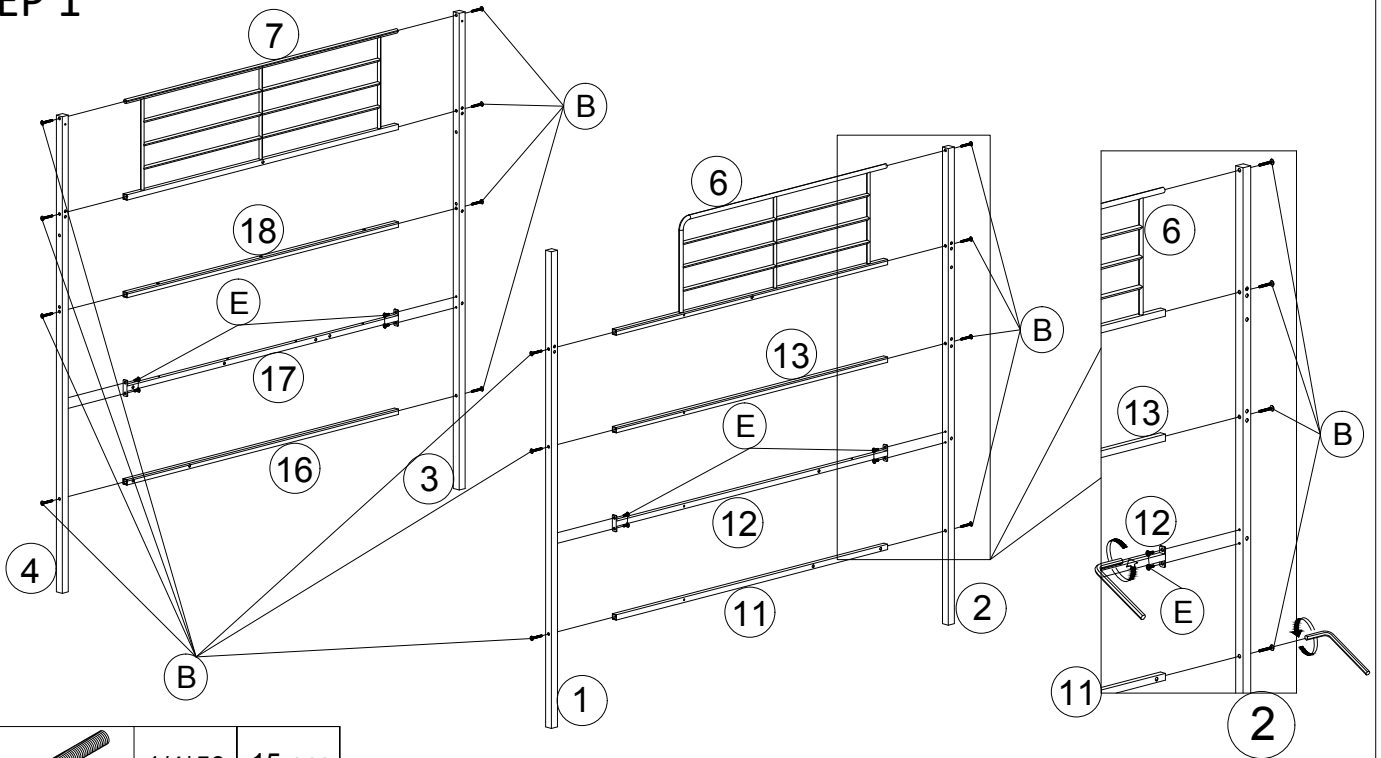
52 plank  2 pcs	54 plank  2 pcs	55 plank  2 pcs	56 plank  2 pcs
57 plank  2 pcs	58 plank  2 pcs	60 plank  2 pcs	61 plank  2 pcs
62 plank  2 pcs	63 plank  2 pcs	64 plank  2 pcs	65 plank  4 pcs

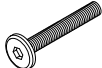

HARDWARE LIST MF310759

A Bolts  1/4*55 7 pcs	B Bolts  1/4*50 23 pcs	C Bolts  1/4*40 15 pcs	D Bolts  1/4*32 48 pcs
E Bolts  1/4*18 20 pcs	F Screws  #8*10 190 pcs	G Bolts  5/32*25 3 pcs	H Allen Key  4*59 1 pc
I cabinet knob  3 pcs	K Screws  JPMT 4.2X16 18 pcs	L Electric screwdriver (Not included)	

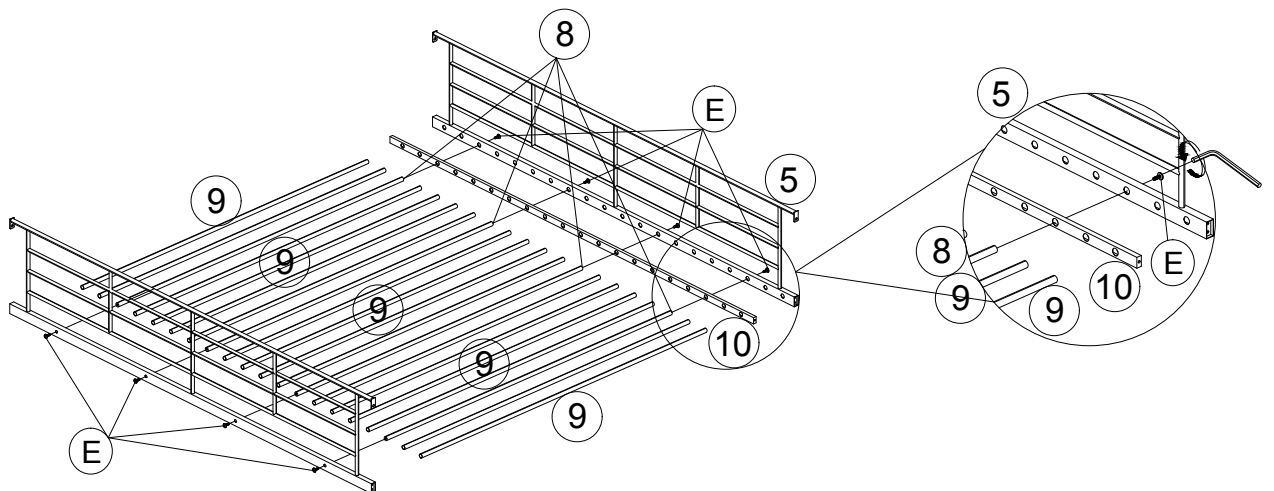
LOFT BED WITH SHELF ASSEMBLY INSTRUCTIONS ITEM: MF310759/MF310760


STEP 1



B		1/4*50	15 pcs
E		1/4*18	8 pcs

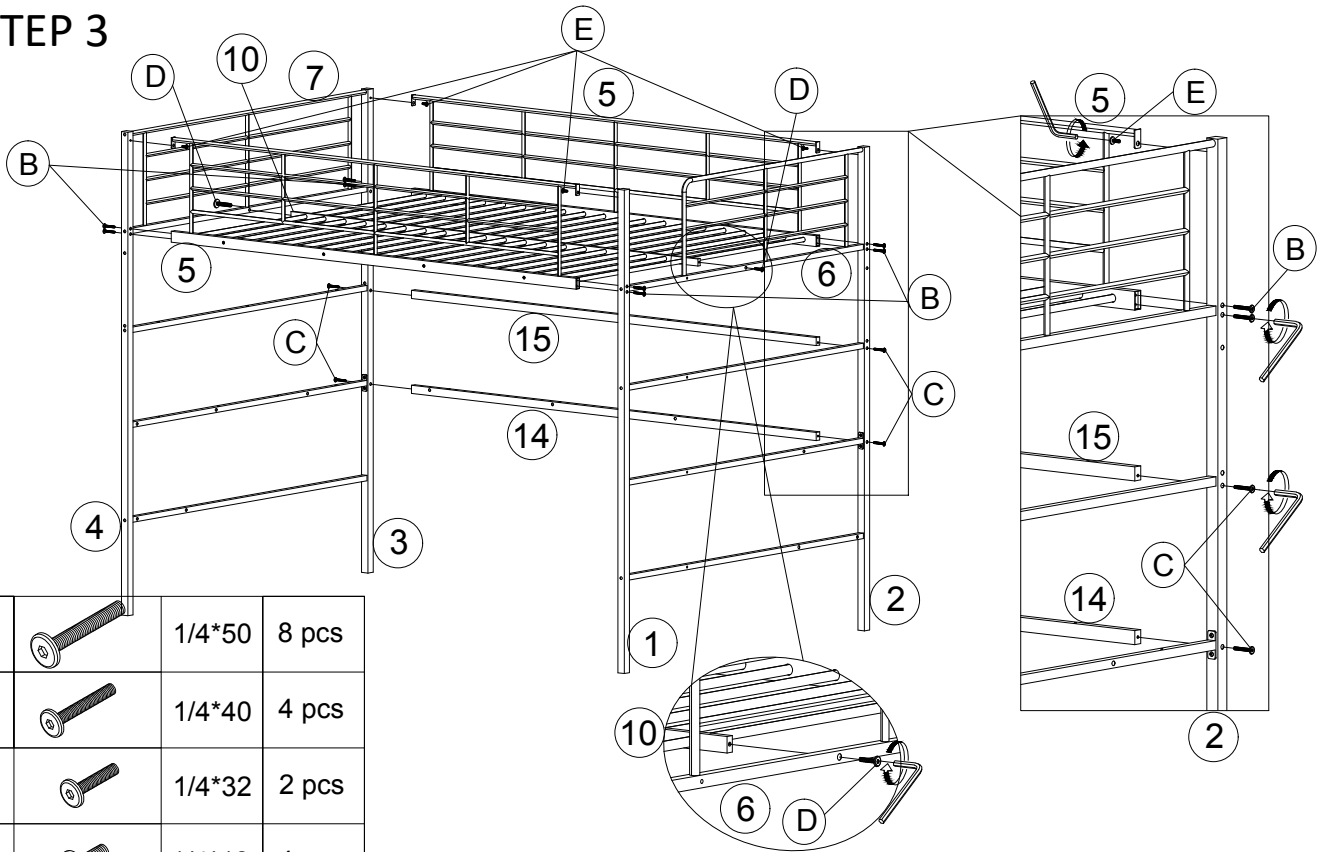
STEP 2

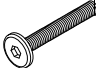

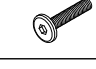



E		1/4*18	8 pcs
---	---	--------	-------

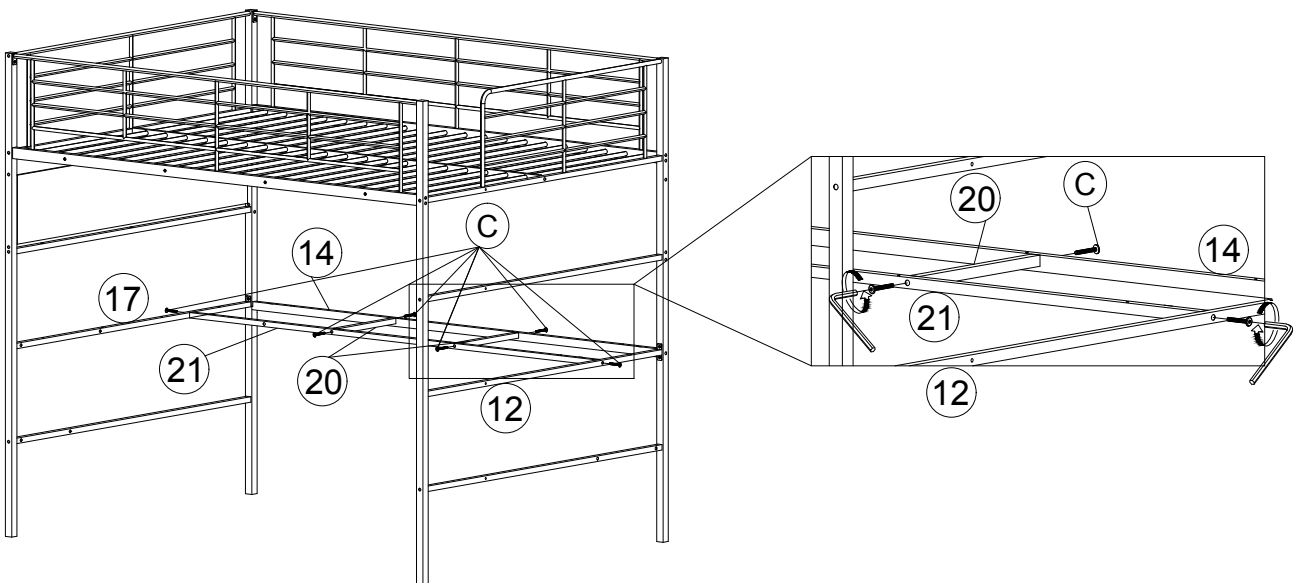
LOFT BED WITH SHELF ASSEMBLY INSTRUCTIONS ITEM: MF310759/MF310760

STEP 3



(B)		1/4*50	8 pcs
(C)		1/4*40	4 pcs
(D)		1/4*32	2 pcs
(E)		1/4*18	4 pcs

STEP 4



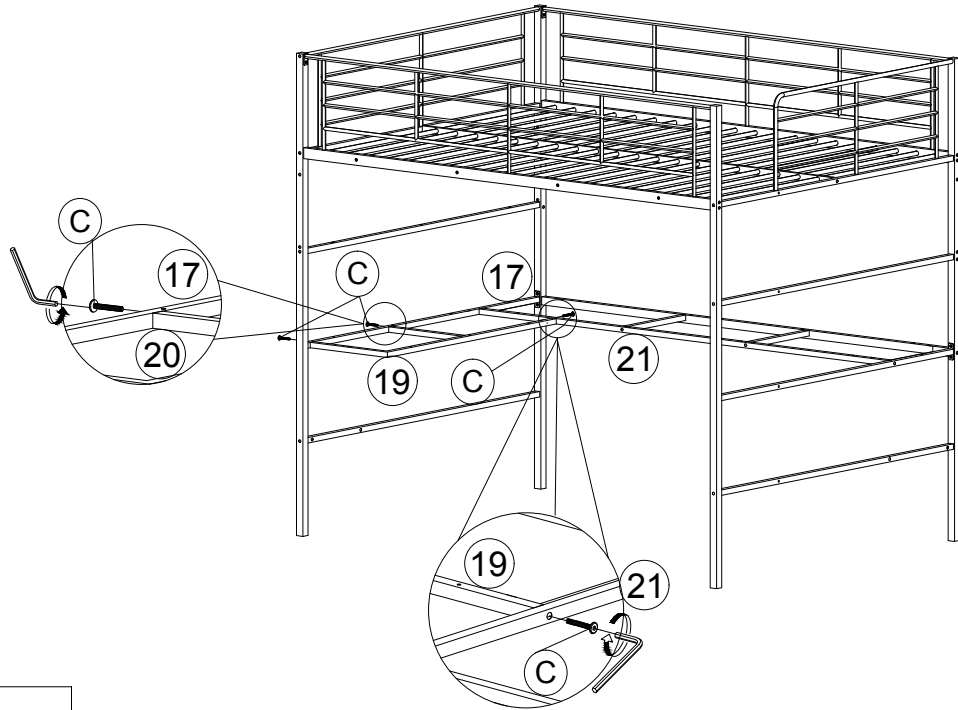
(C)		1/4*40	6 pcs
-----	---	--------	-------

LOFT BED WITH SHELF

ASSEMBLY INSTRUCTIONS

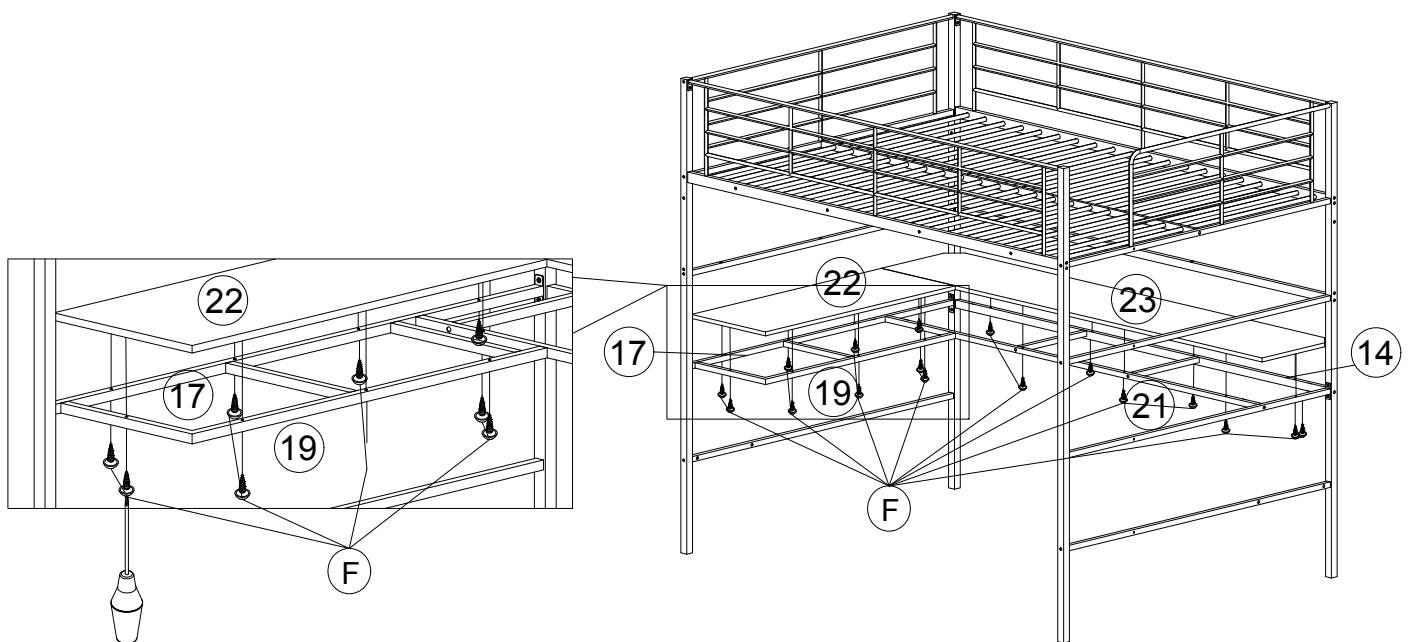
ITEM: MF310759/MF310760

STEP 5



C		1/4*40	3 pcs
---	---	--------	-------

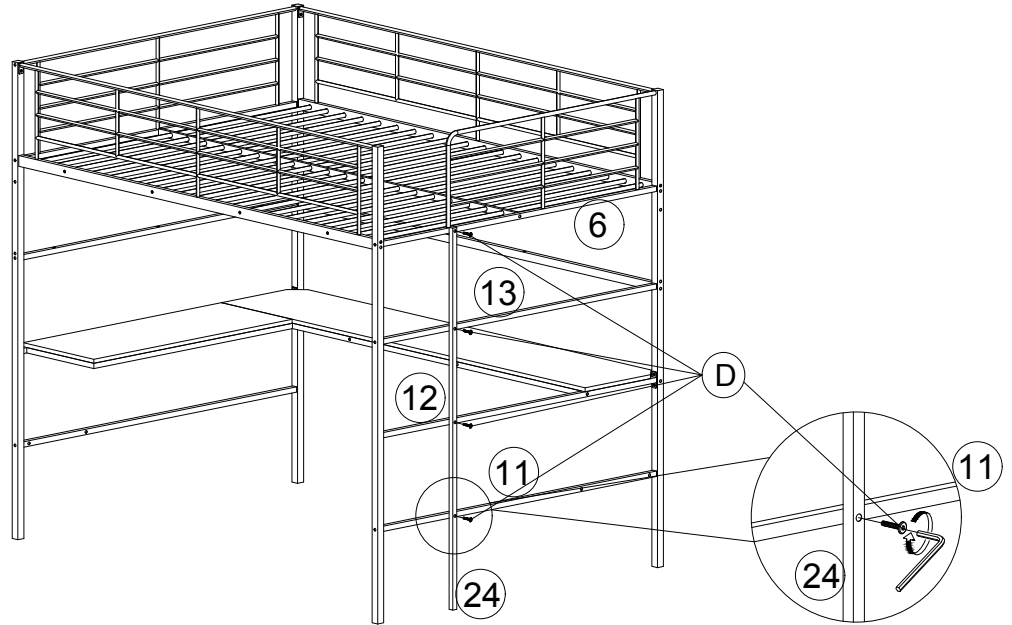
STEP 6




F		#8*10	17 pcs
---	---	-------	--------

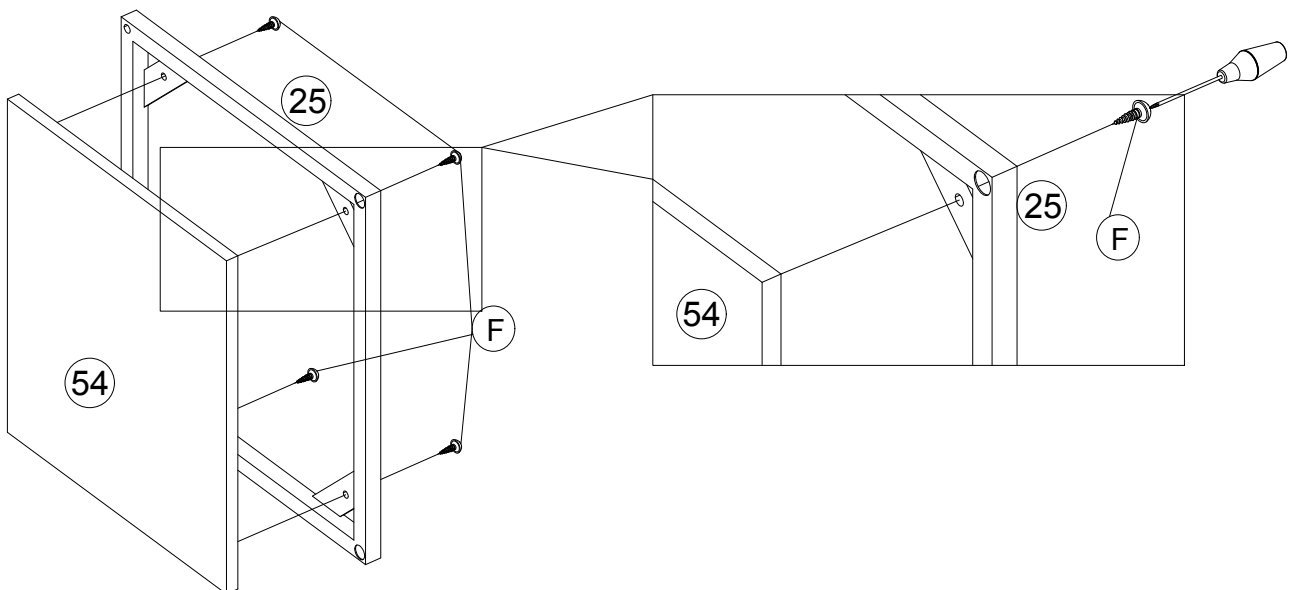
LOFT BED WITH SHELF ASSEMBLY INSTRUCTIONS ITEM: MF310759/MF310760


STEP 7



D		1/4*32	4 pcs
---	---	--------	-------

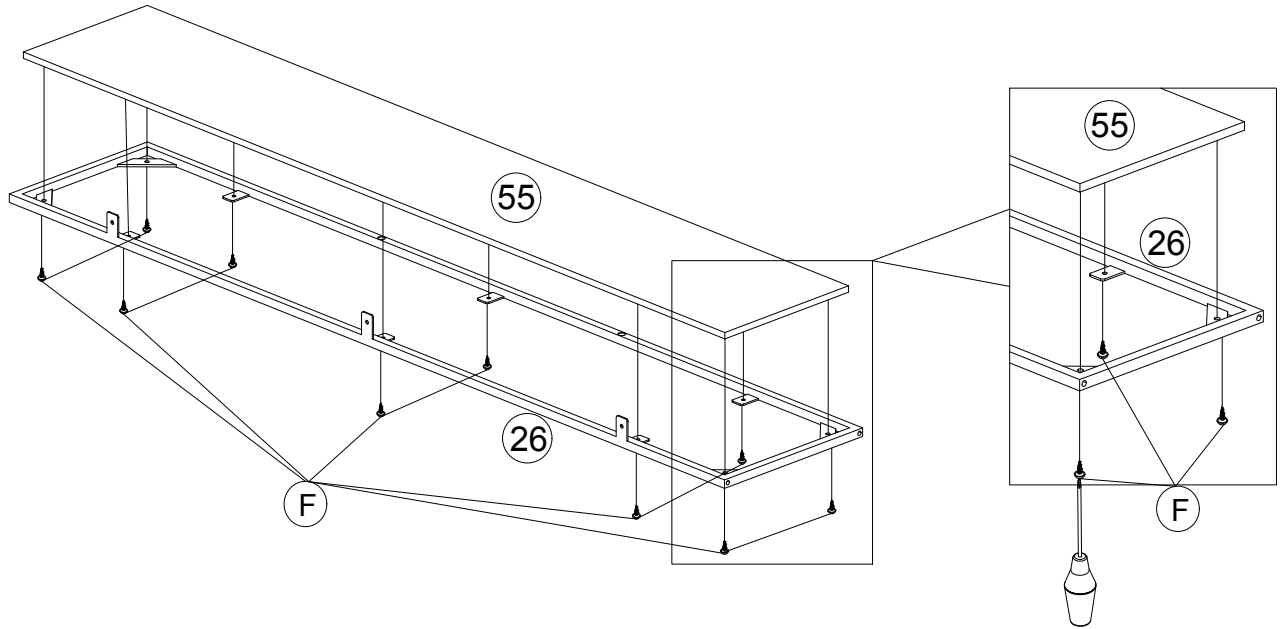
STEP 8 X2




F		#8*10	4 pcs X2
---	---	-------	----------

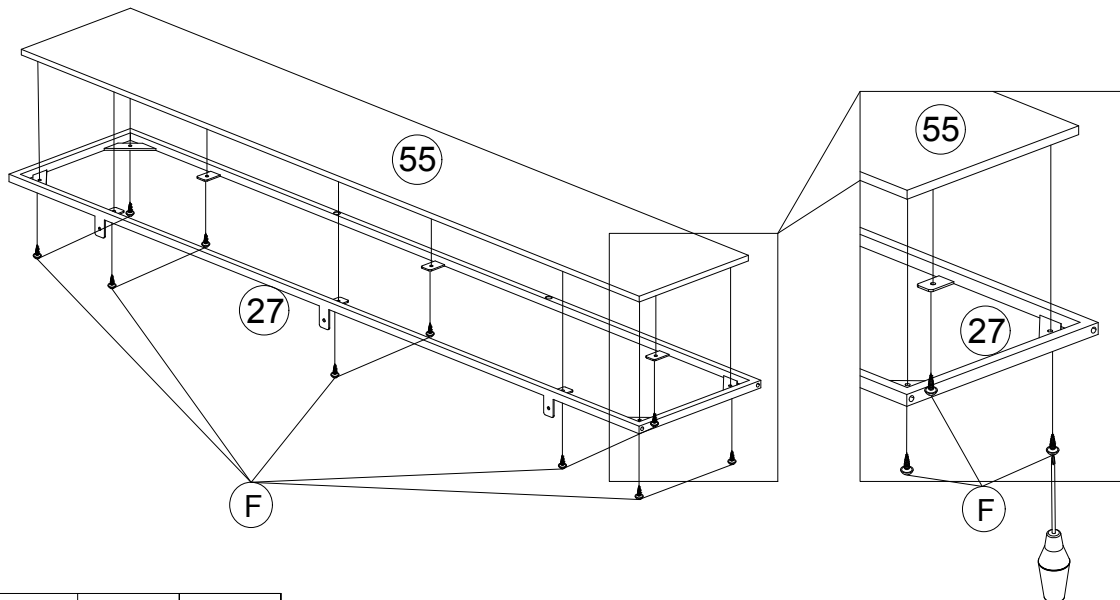
LOFT BED WITH SHELF ASSEMBLY INSTRUCTIONS ITEM: MF310759/MF310760


STEP 9



F		#8*10	10 pcs
---	---	-------	--------

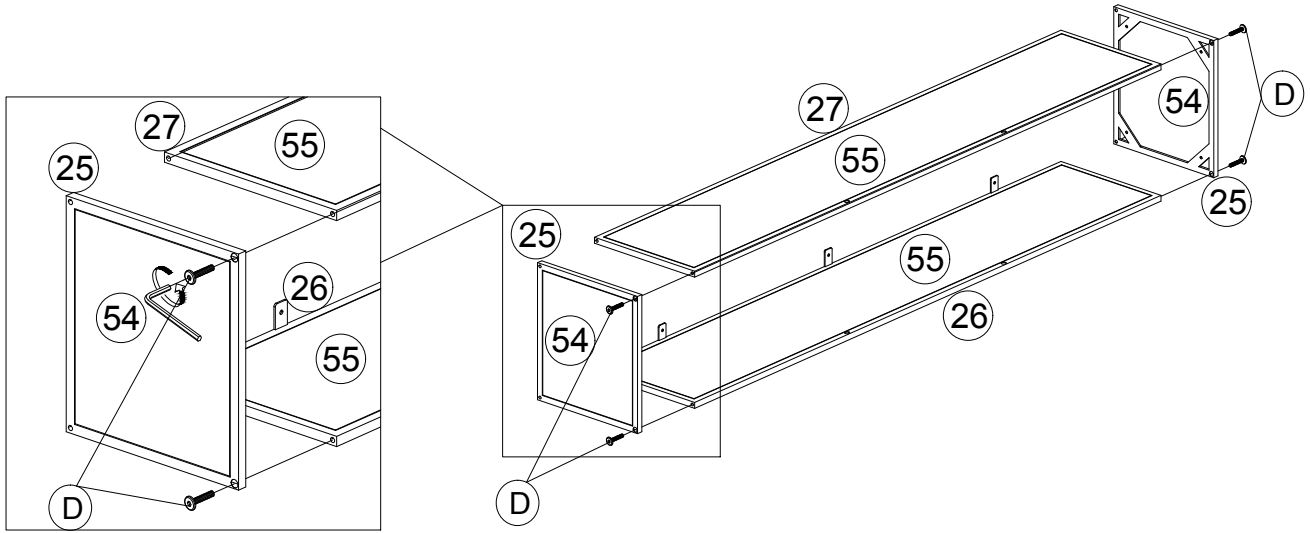
STEP 10



F		#8*10	10 pcs
---	---	-------	--------

LOFT BED WITH SHELF
ASSEMBLY INSTRUCTIONS
ITEM: MF310759/MF310760

STEP 11



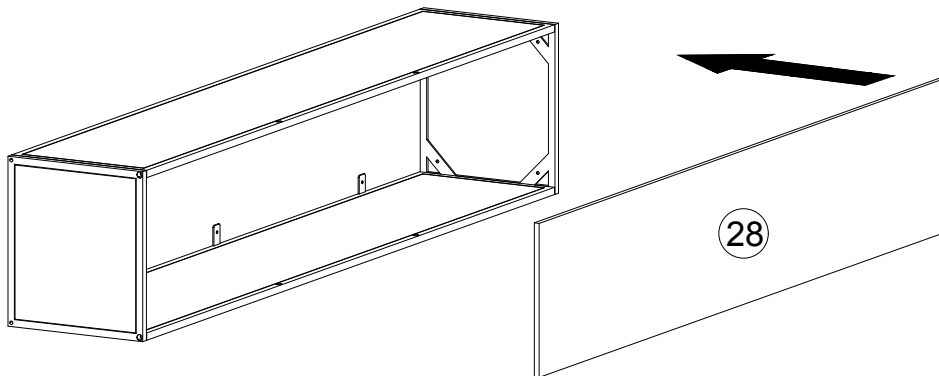
(D)



1/4*32

4 pcs

STEP 12

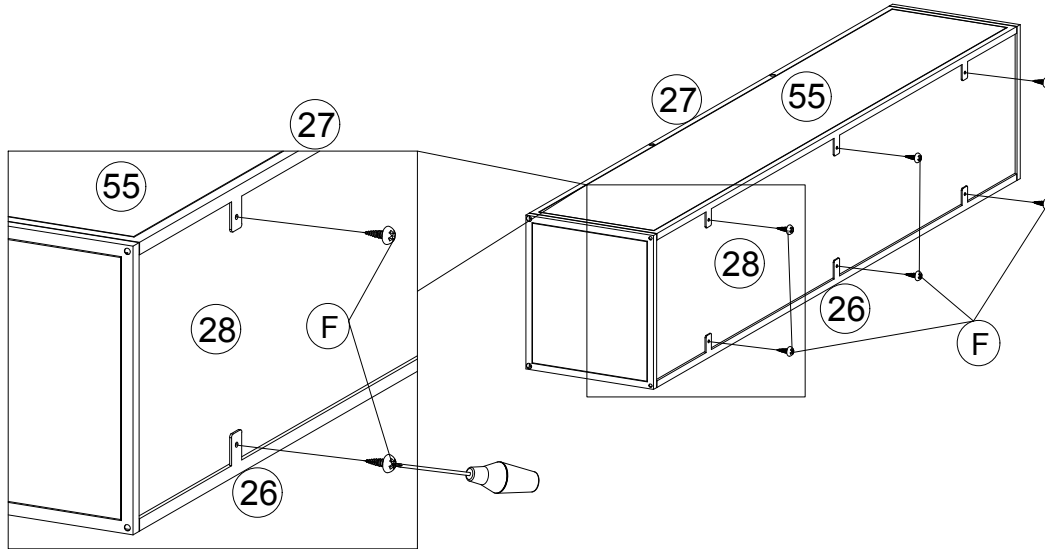



LOFT BED WITH SHELF

ASSEMBLY INSTRUCTIONS

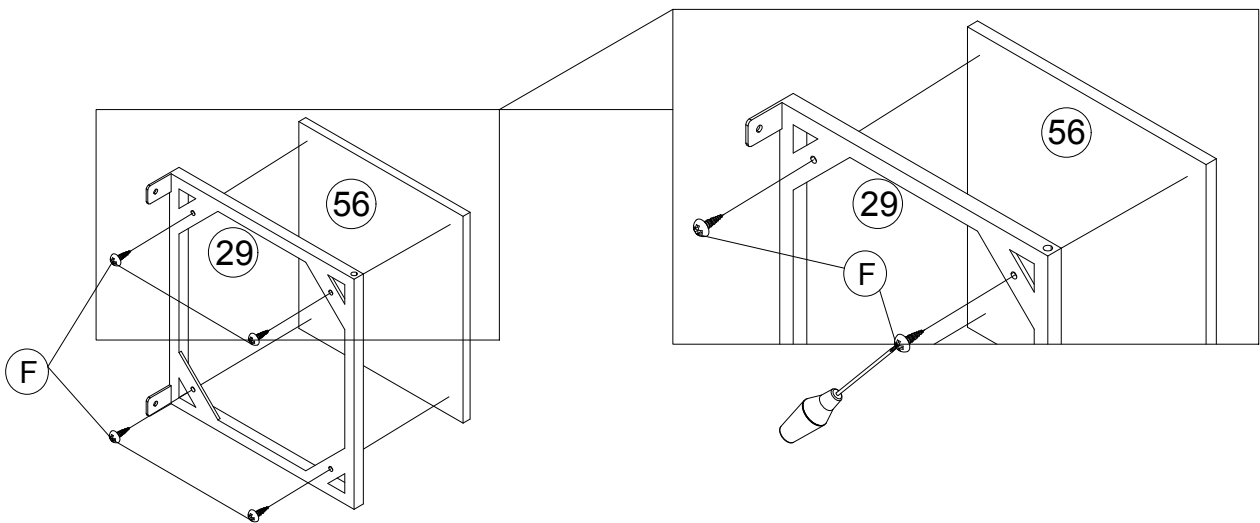
ITEM: MF310759/MF310760


STEP 13



(F)		#8*10	6 pcs
-----	---	-------	-------

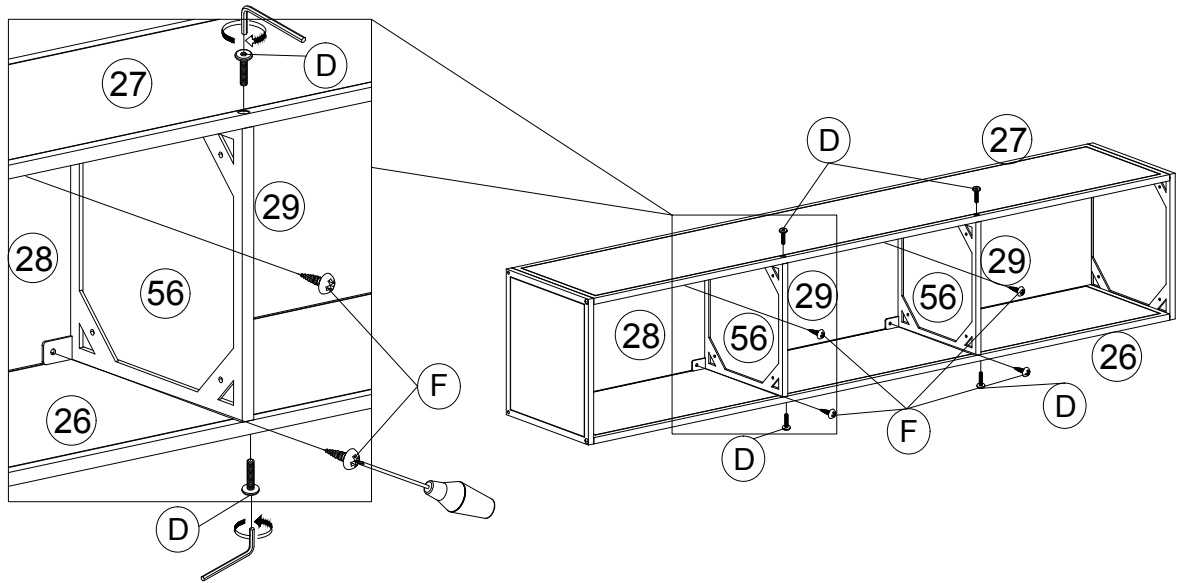
STEP 14 X2





(F)		#8*10	4 pcs X2
-----	---	-------	----------

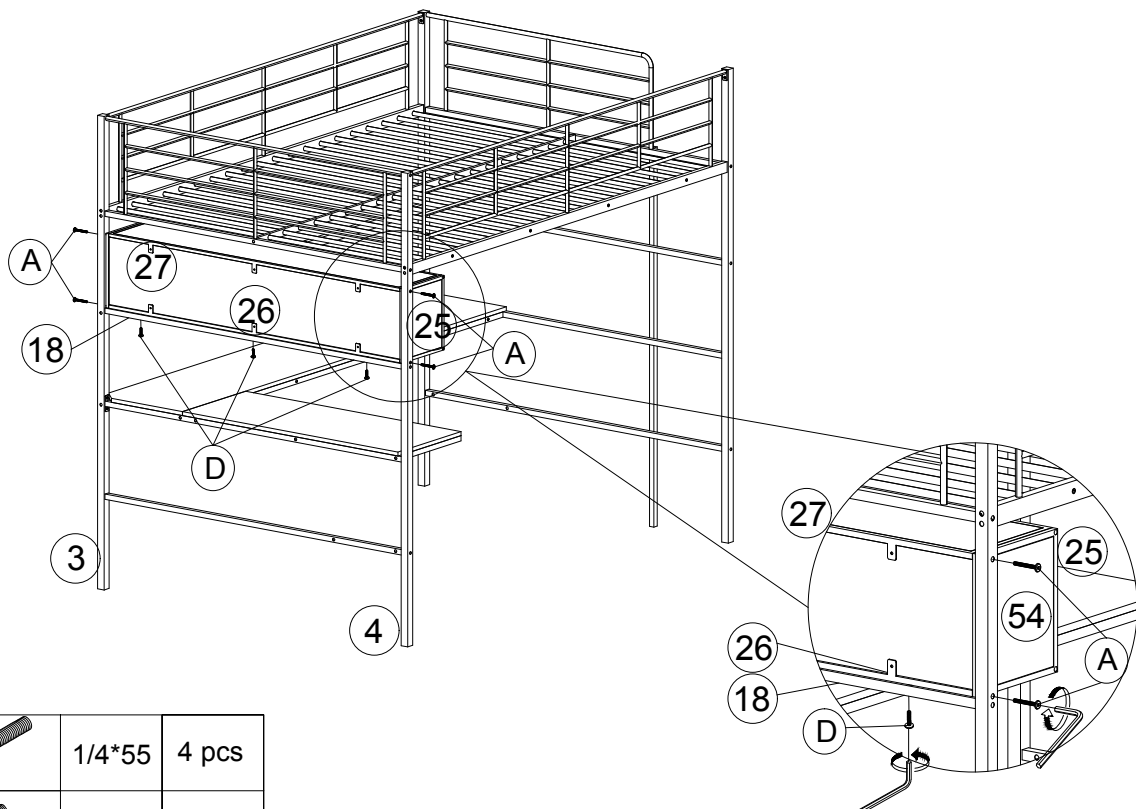
LOFT BED WITH SHELF ASSEMBLY INSTRUCTIONS ITEM: MF310759/MF310760

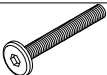

STEP 15



D		1/4*32	4 pcs
F		#8*10	4 pcs

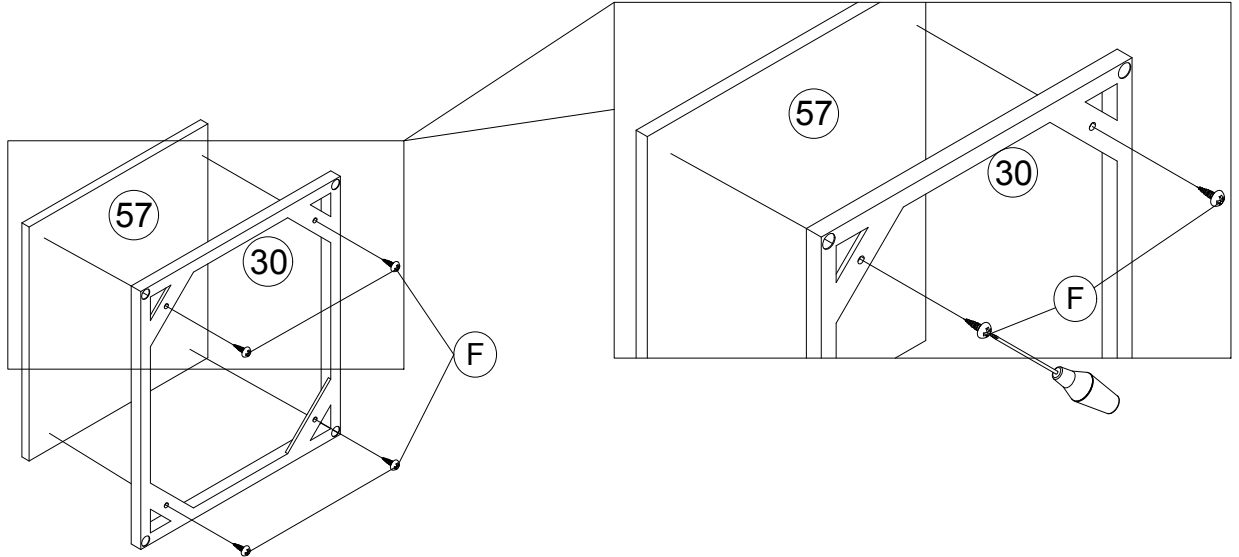
STEP 16




A		1/4*55	4 pcs
D		1/4*32	3 pcs

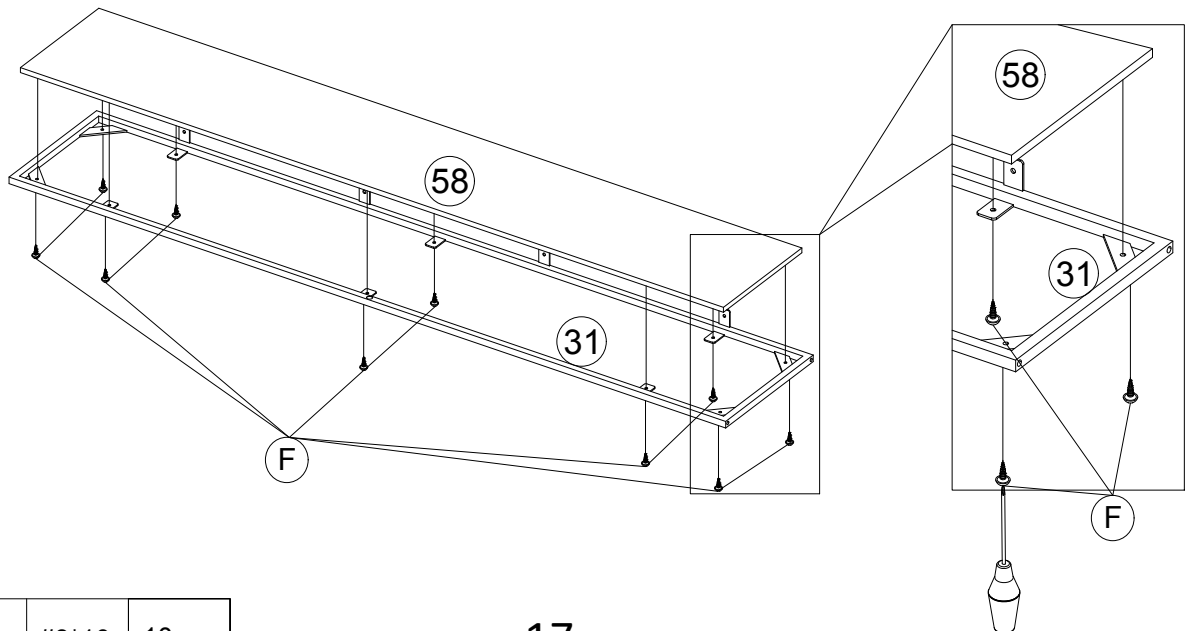
LOFT BED WITH SHELF ASSEMBLY INSTRUCTIONS ITEM: MF310759/MF310760


STEP 17 X2



(F)		#8*10	4 pcs x2
-----	---	-------	----------

STEP 18

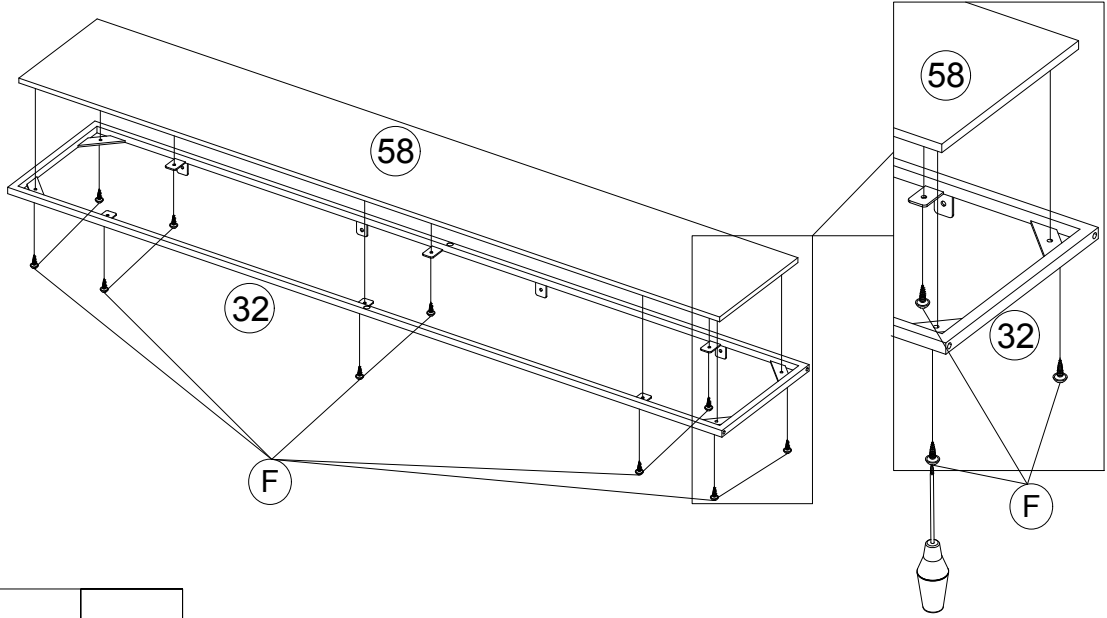


(F)		#8*10	10 pcs
-----	---	-------	--------

LOFT BED WITH SHELF ASSEMBLY INSTRUCTIONS

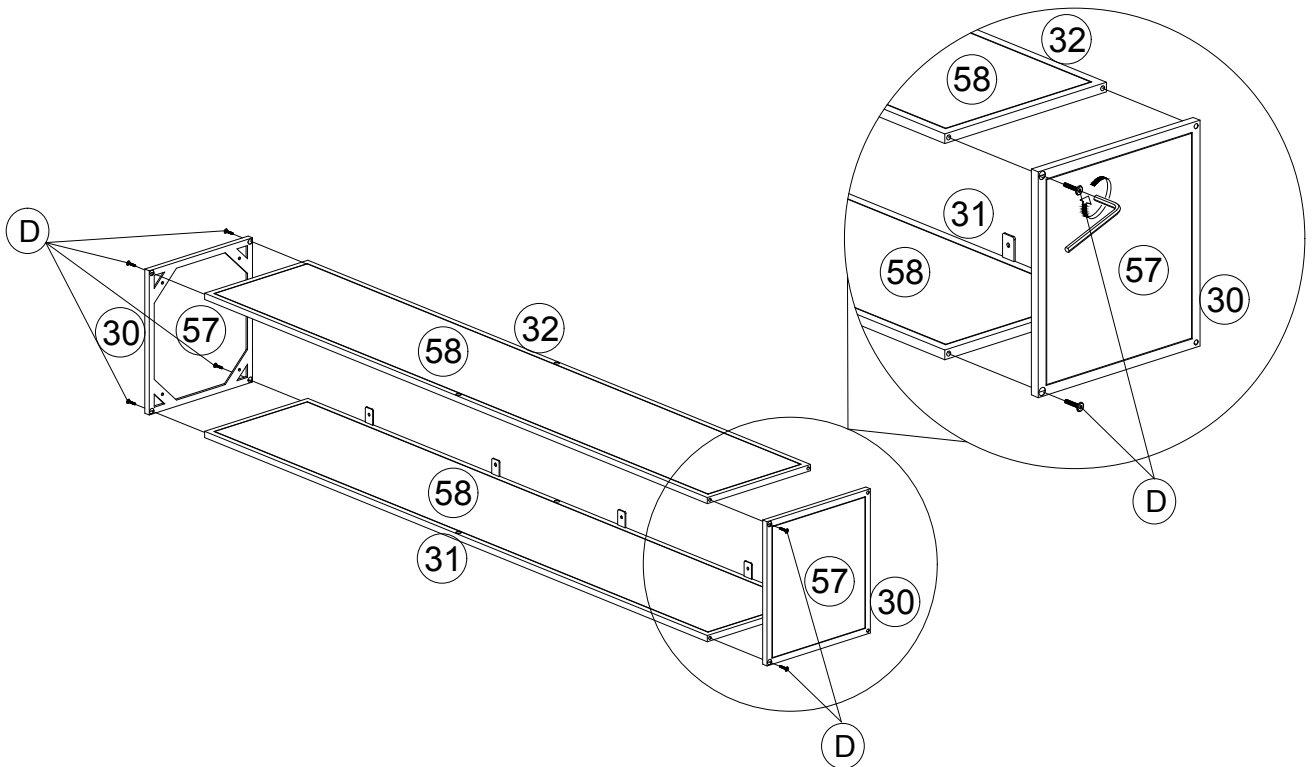
ITEM: MF310759/MF310760


STEP 19



F		#8*10	10 pcs
---	---	-------	--------

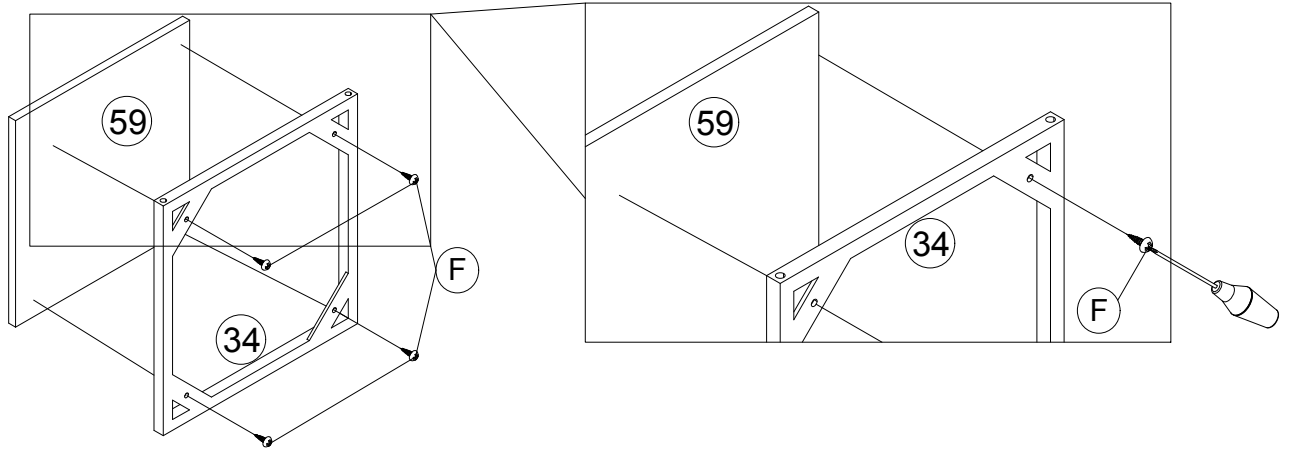
STEP 20




D		1/4*32	6 pcs
---	---	--------	-------

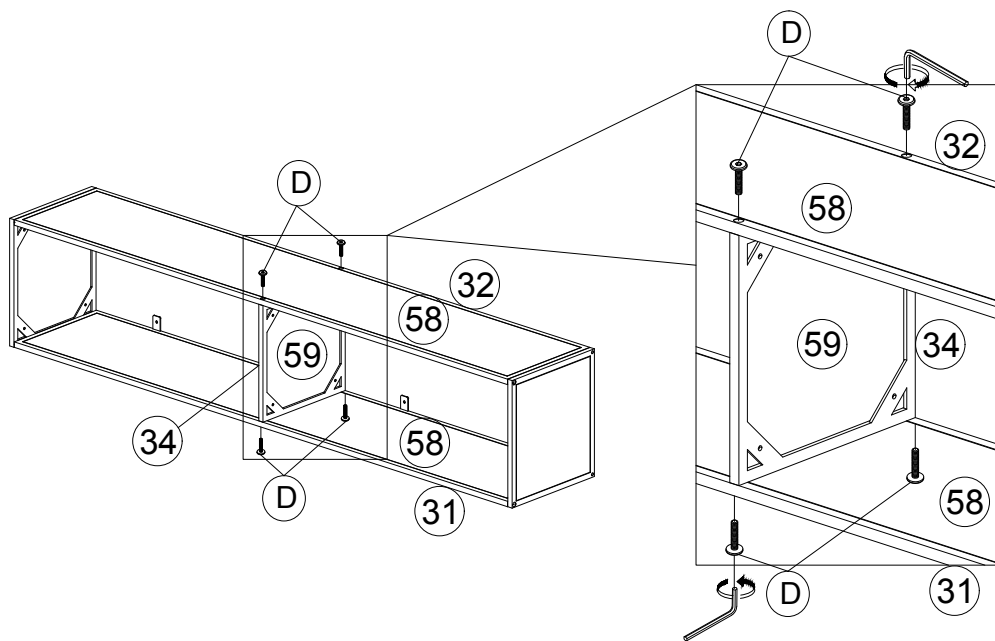
LOFT BED WITH SHELF ASSEMBLY INSTRUCTIONS ITEM: MF310759/MF310760


STEP 21



F		#8*10	4 pcs
---	---	-------	-------

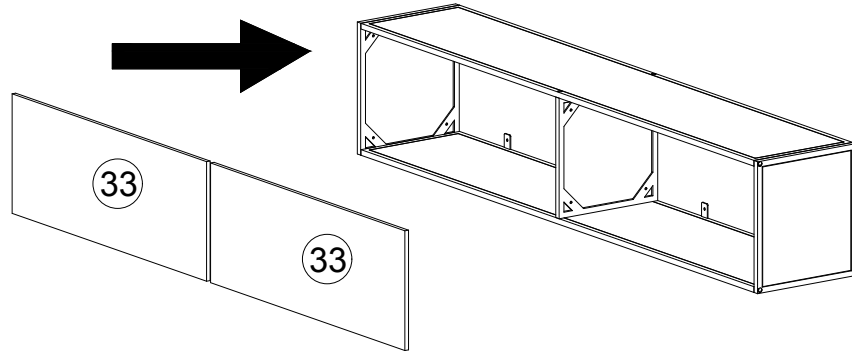
STEP 22



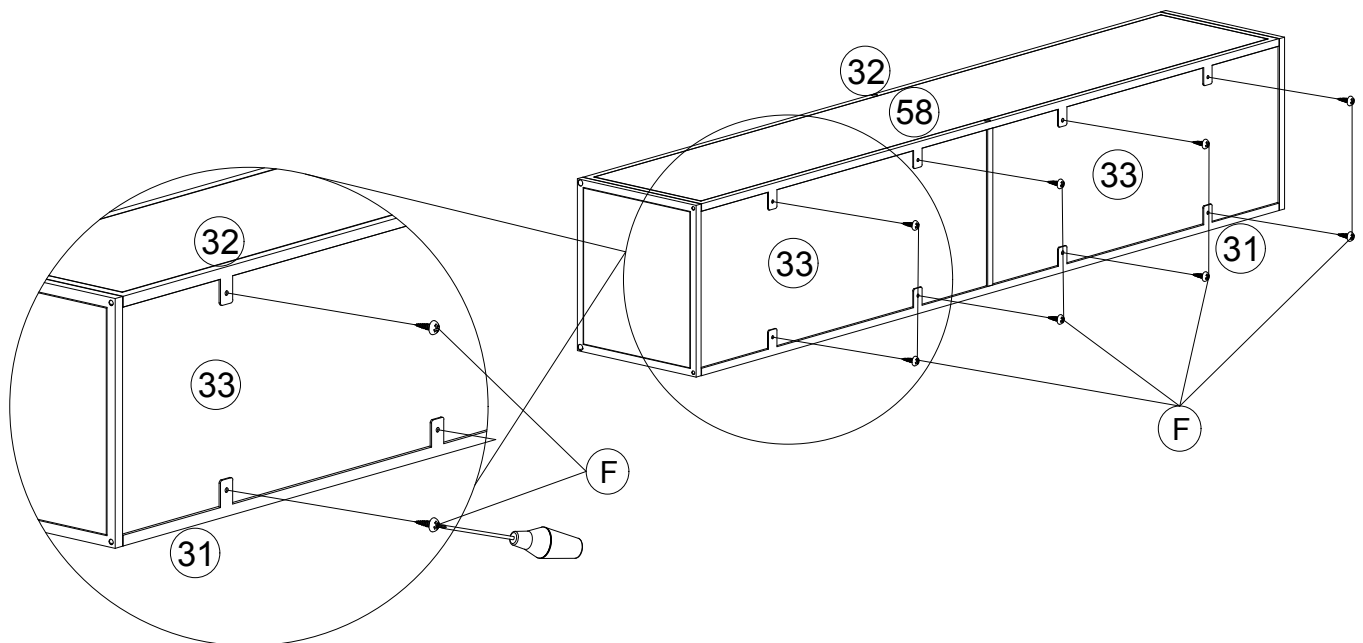
D		1/4*32	4 pcs
---	---	--------	-------

LOFT BED WITH SHELF
ASSEMBLY INSTRUCTIONS
ITEM: MF310759/MF310760

STEP 23



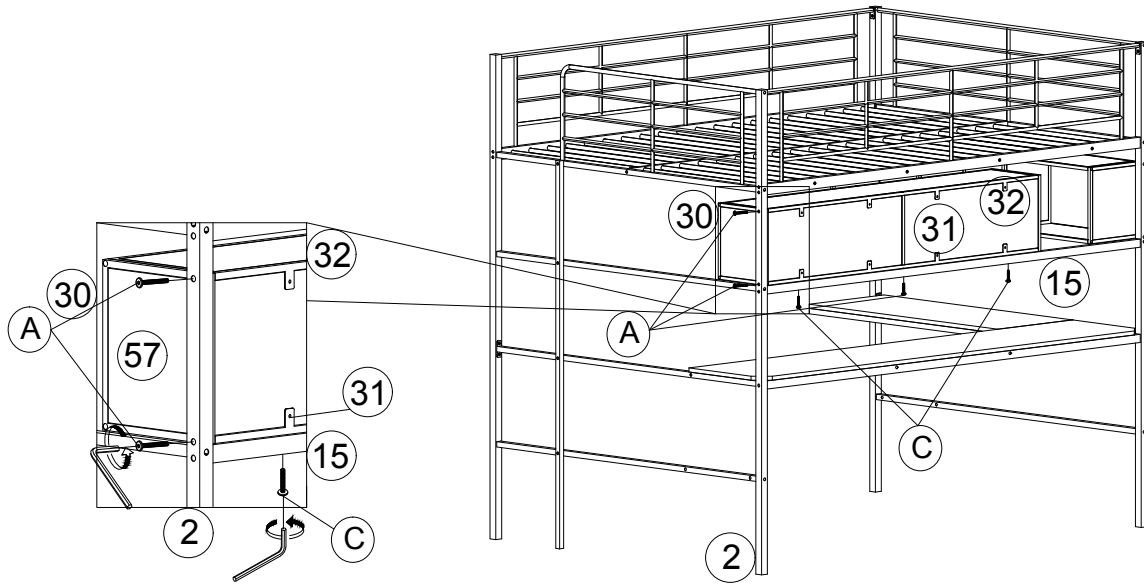
STEP 24

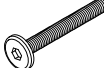



(F)		#8*10	8 pcs
-----	---	-------	-------

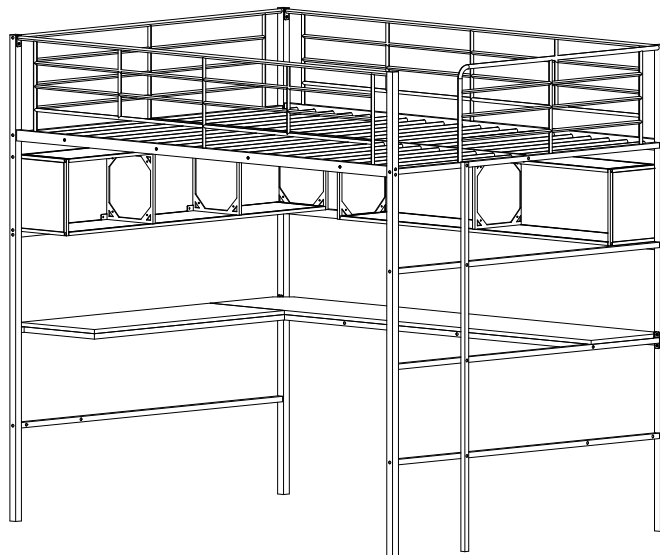
LOFT BED WITH SHELF ASSEMBLY INSTRUCTIONS ITEM: MF310759/MF310760

STEP 25



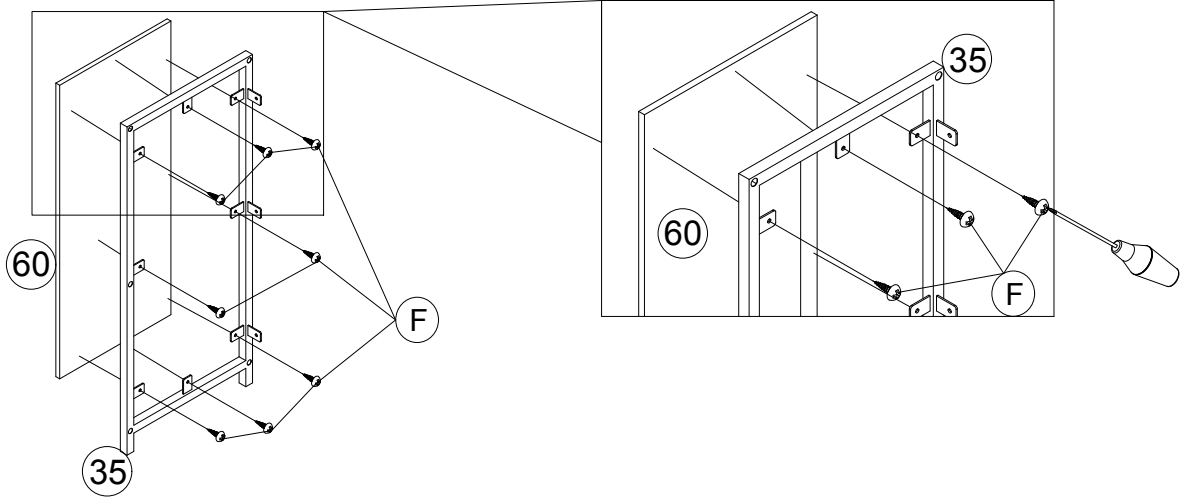
(A)		1/4*55	3 pcs
(C)		1/4*40	2 pcs

STEP 26



LOFT BED WITH SHELF ASSEMBLY INSTRUCTIONS ITEM: MF310759/MF310760

STEP 27



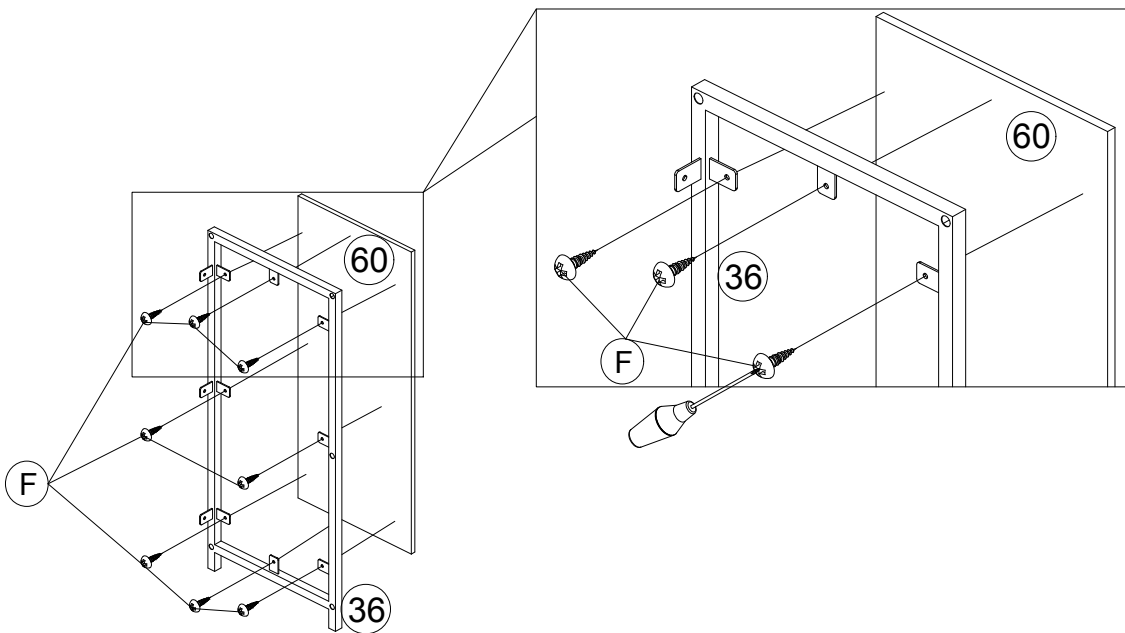
F



#8*10

8 pcs

STEP 28



F



#8*10

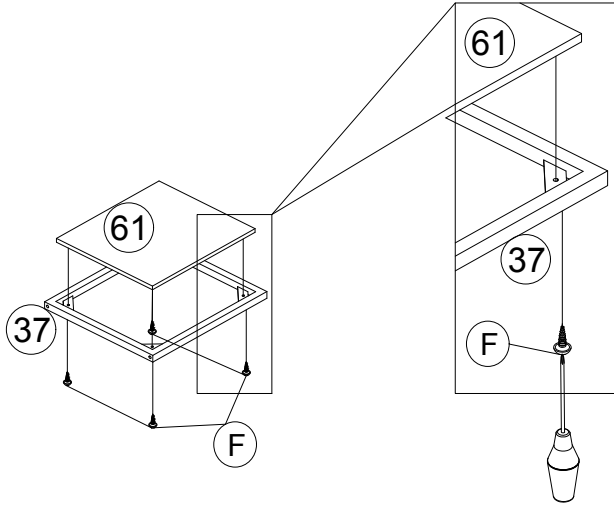
8 pcs


LOFT BED WITH SHELF

ASSEMBLY INSTRUCTIONS

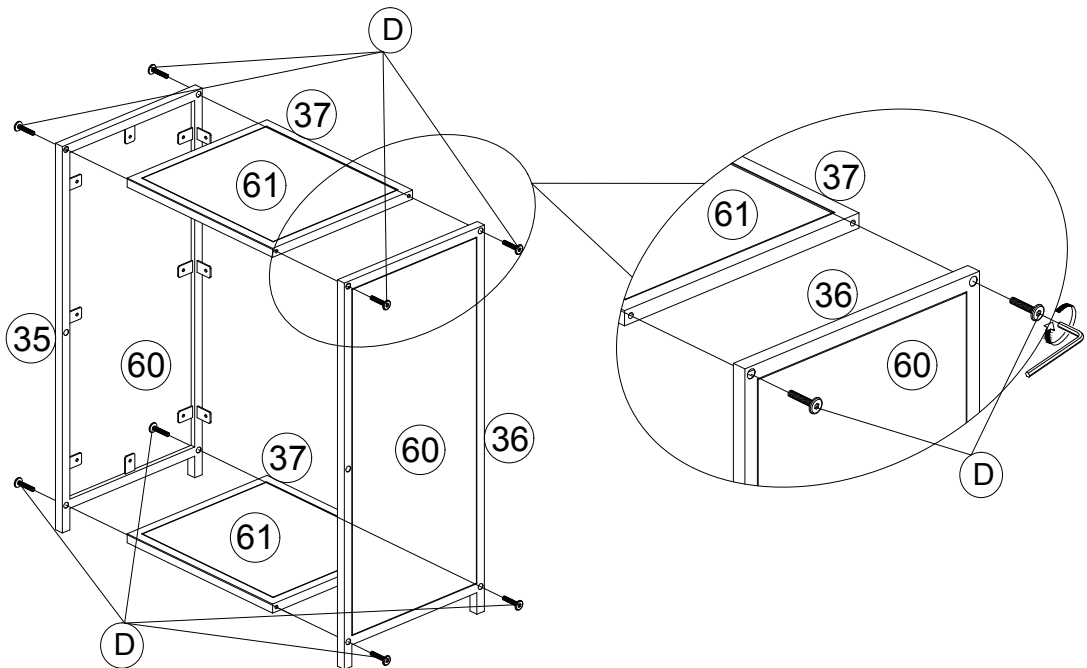
ITEM: MF310759/MF310760


STEP 29
X2



(F)		#8*10	4 pcs X2
-----	---	-------	----------

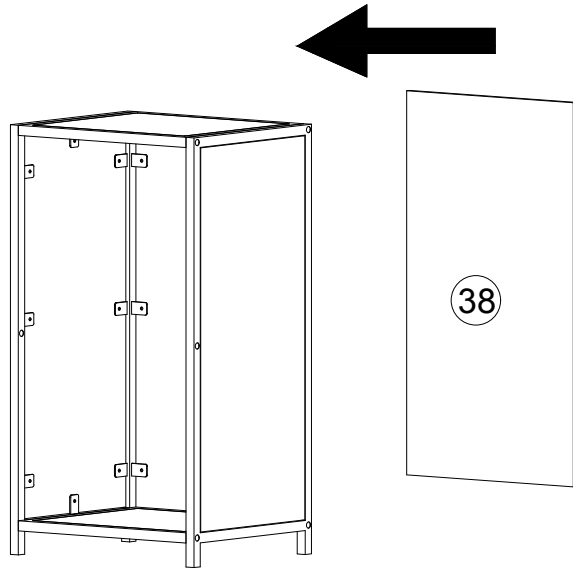
STEP 30



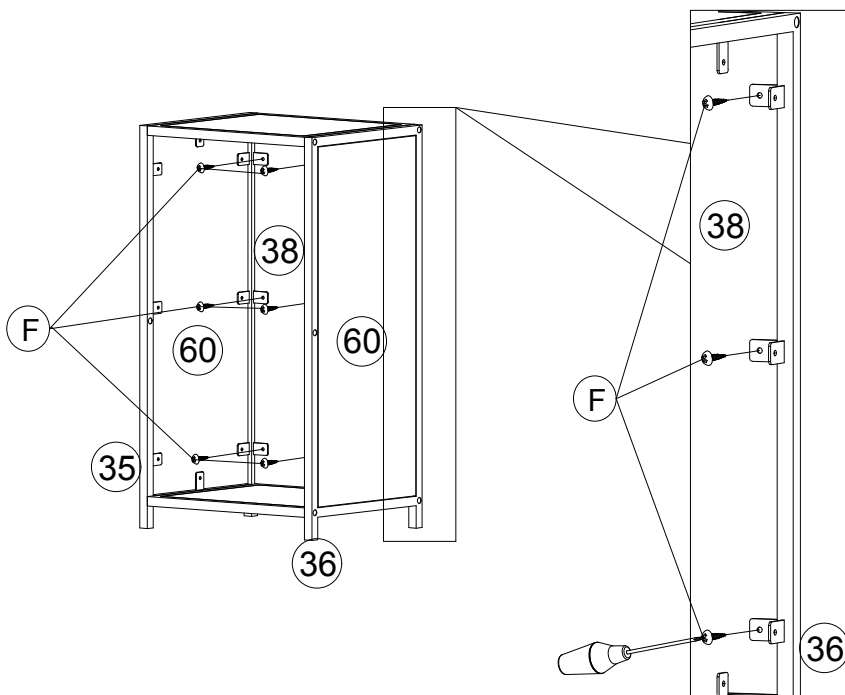
(D)		1/4*32	8 pcs
-----	---	--------	-------

LOFT BED WITH SHELF ASSEMBLY INSTRUCTIONS ITEM: MF310759/MF310760

STEP 31



STEP 32



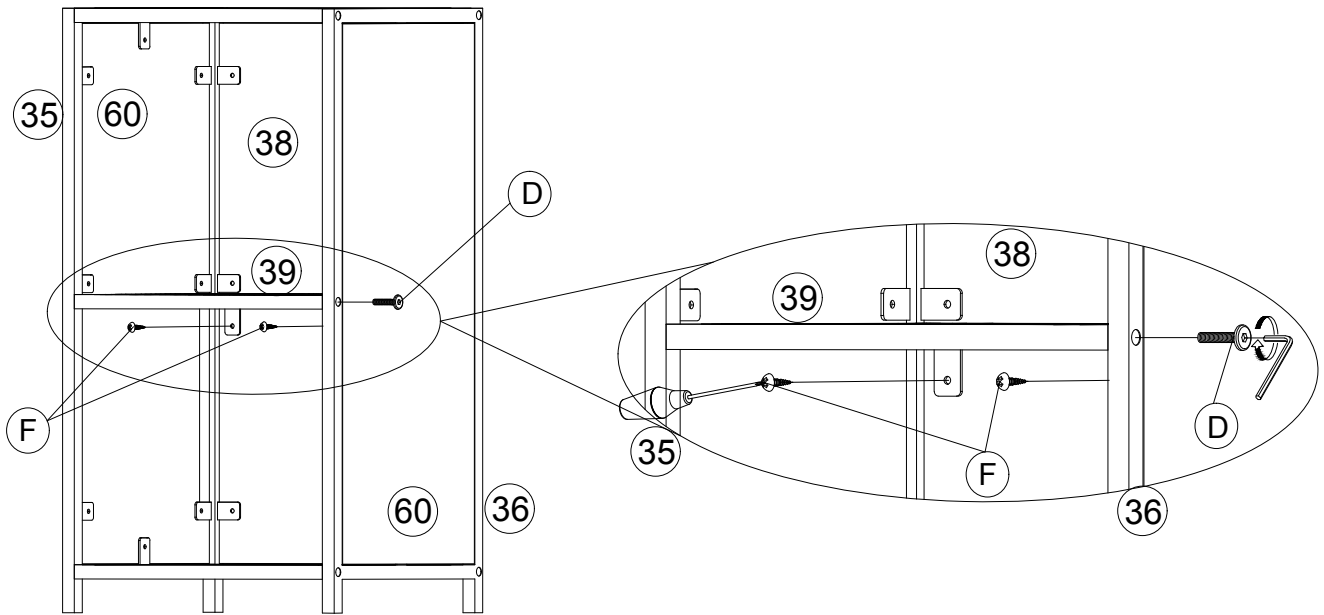
F





#8*10 6 pcs

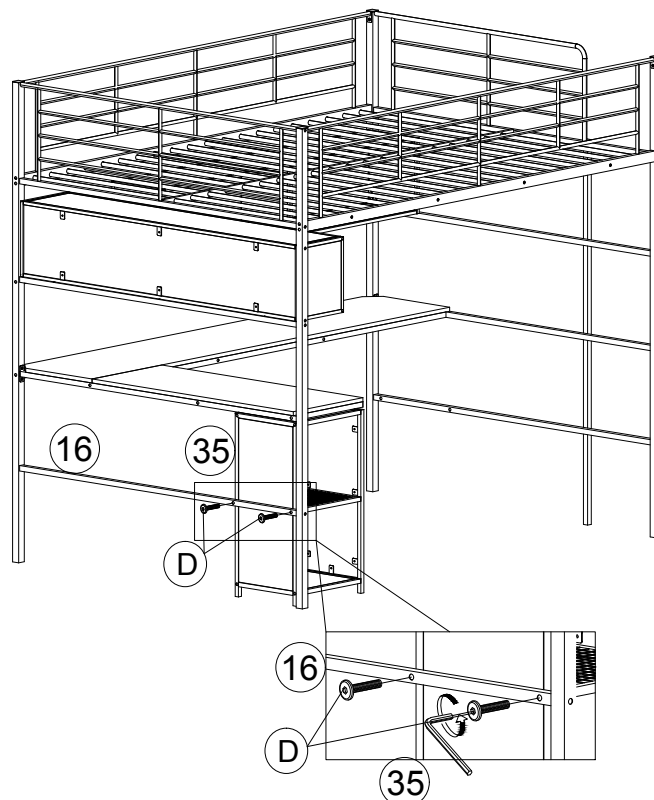
LOFT BED WITH SHELF ASSEMBLY INSTRUCTIONS ITEM: MF310759/MF310760


STEP 33



D		1/4*32	1 pc
F		#8*10	2 pcs

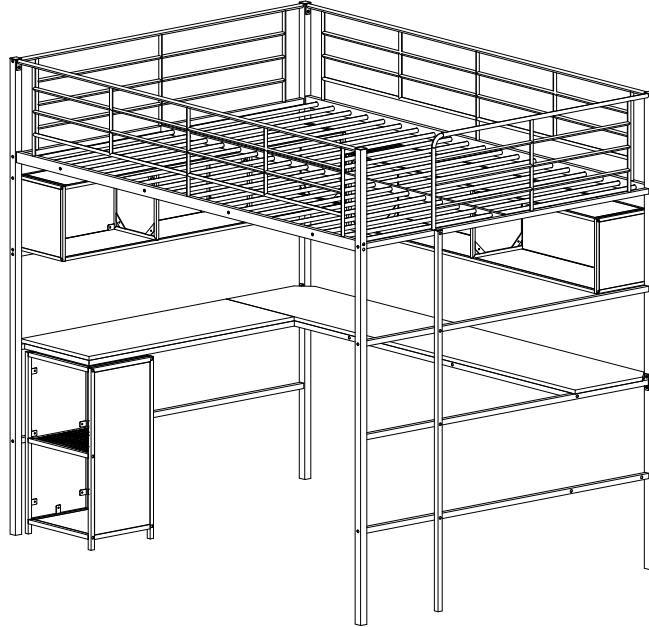
STEP 34



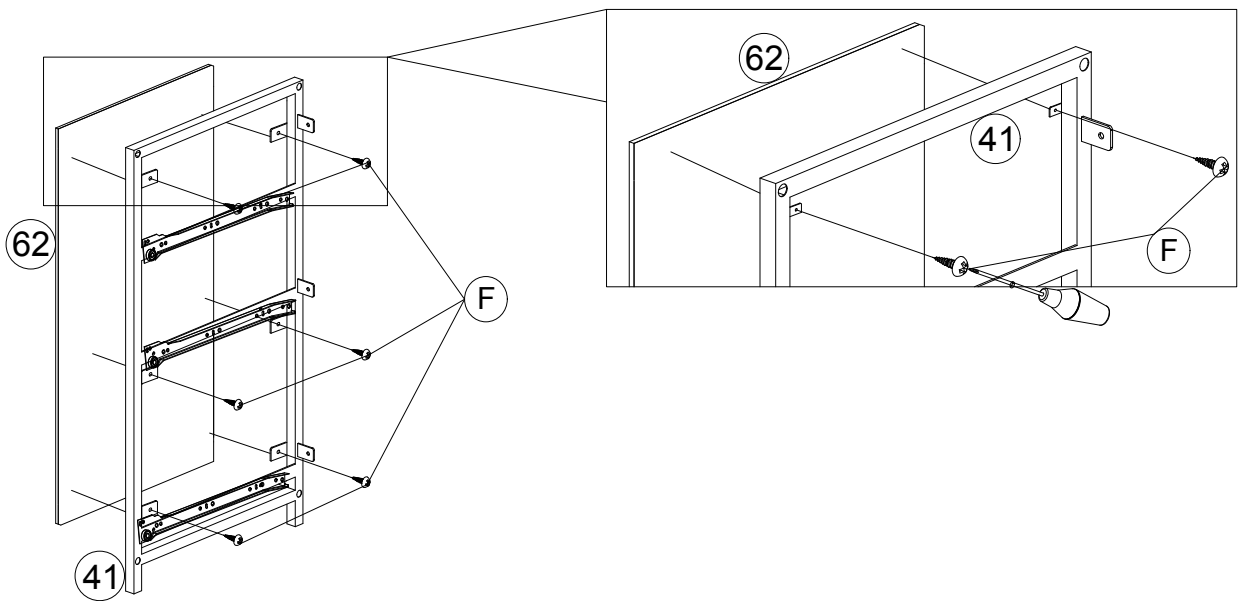
D		1/4*32	2 pcs
---	---	--------	-------

LOFT BED WITH SHELF ASSEMBLY INSTRUCTIONS ITEM: MF310759/MF310760

STEP 35



STEP 36



(F)

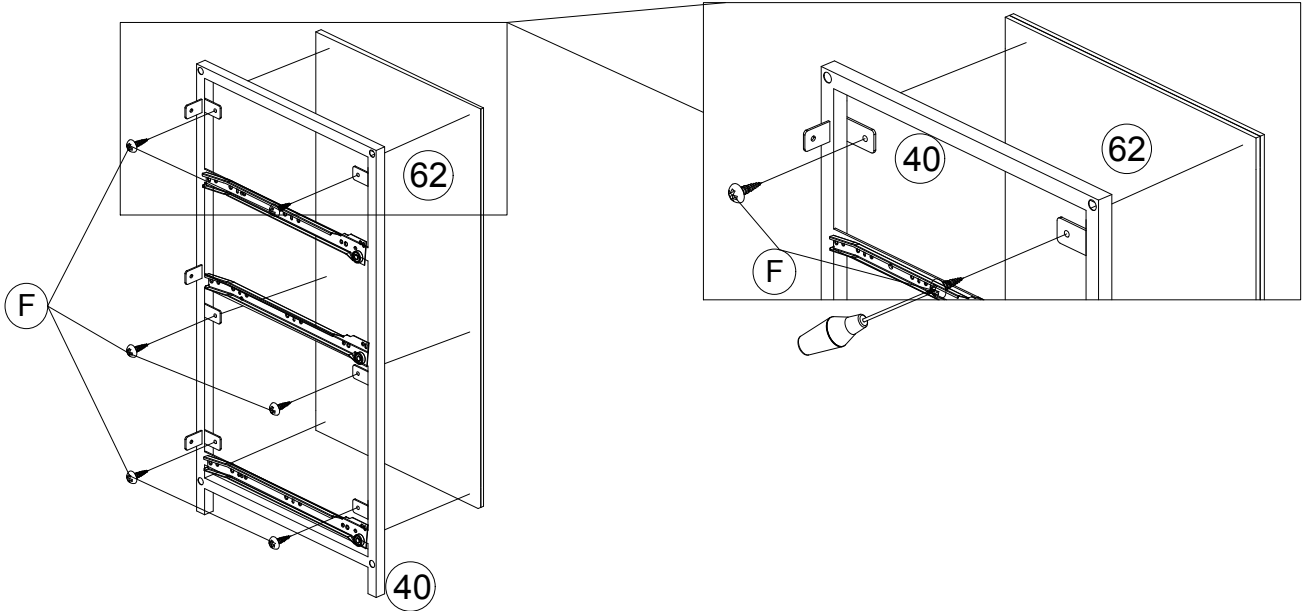


#8*10 6 pcs

26

LOFT BED WITH SHELF ASSEMBLY INSTRUCTIONS ITEM: MF310759/MF310760

STEP 37

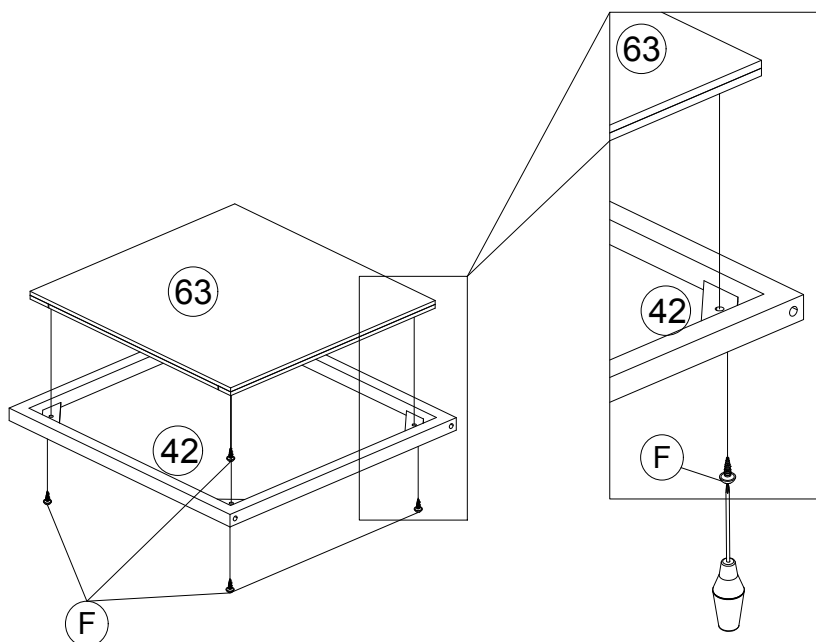


F



#8*10 6 pcs

STEP 38 X2



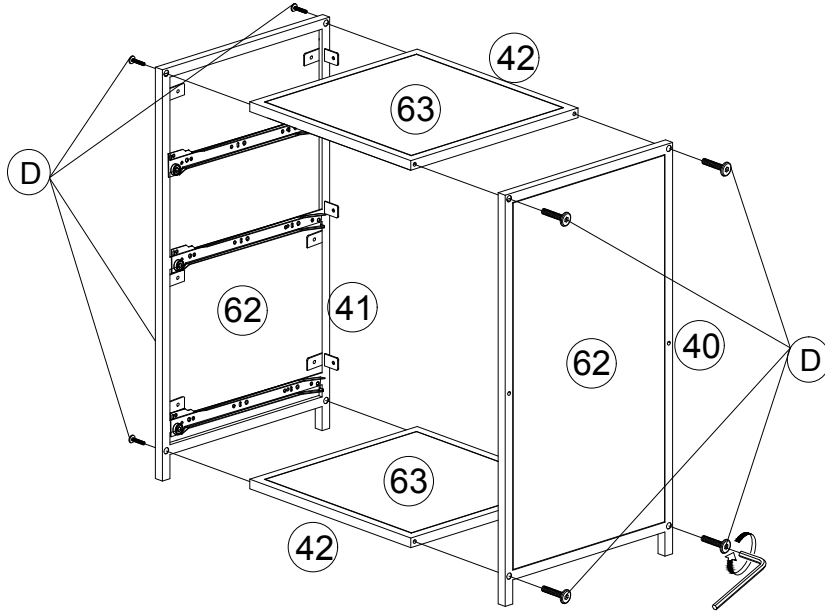
F



#8*10 4 pc x2

LOFT BED WITH SHELF ASSEMBLY INSTRUCTIONS ITEM: MF310759/MF310760

STEP 39



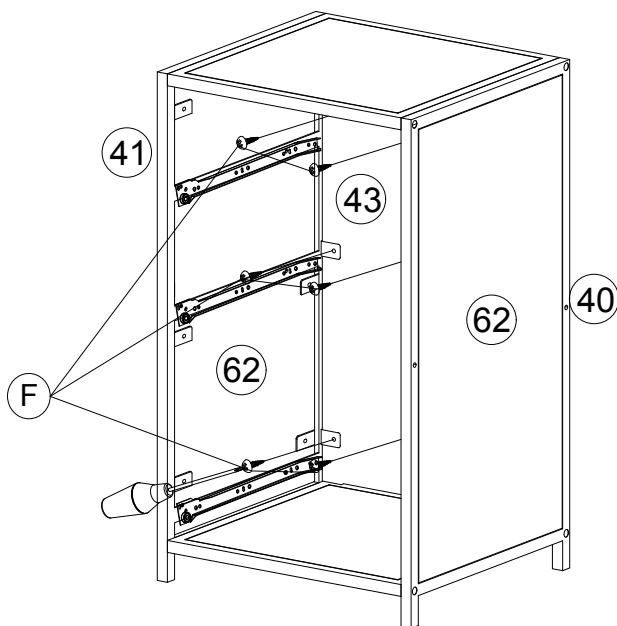
D



1/4*32

8 pcs

STEP 40



F

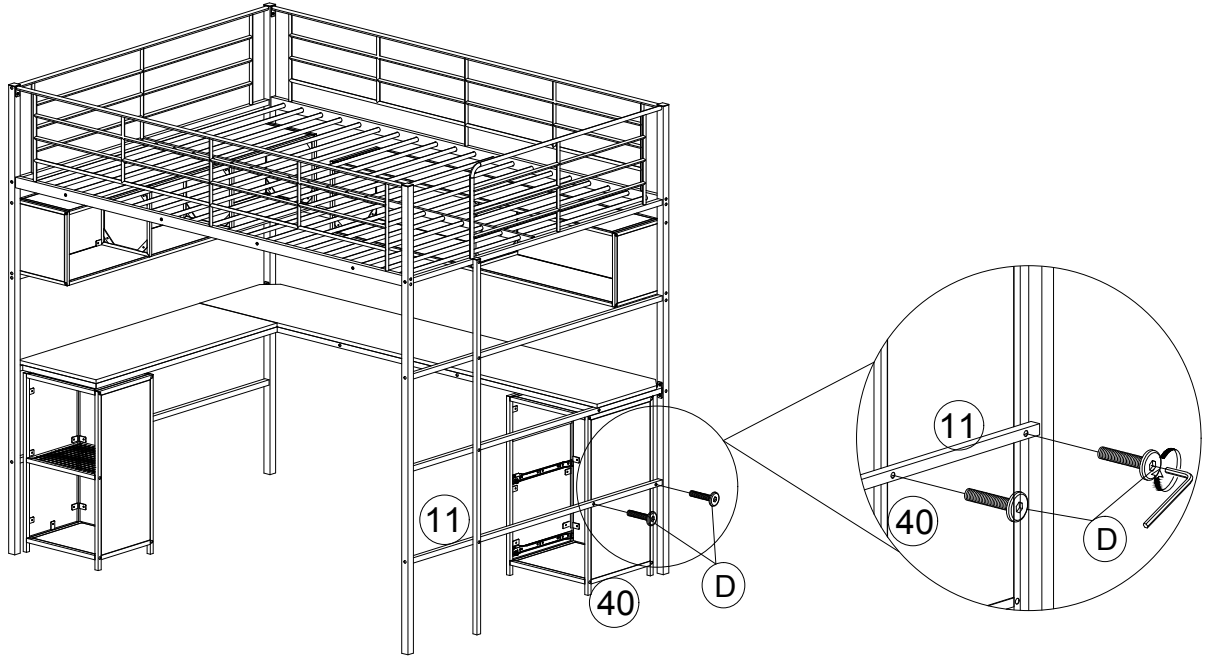


#8*10

6 pcs

LOFT BED WITH SHELF ASSEMBLY INSTRUCTIONS ITEM: MF310759/MF310760

STEP 41



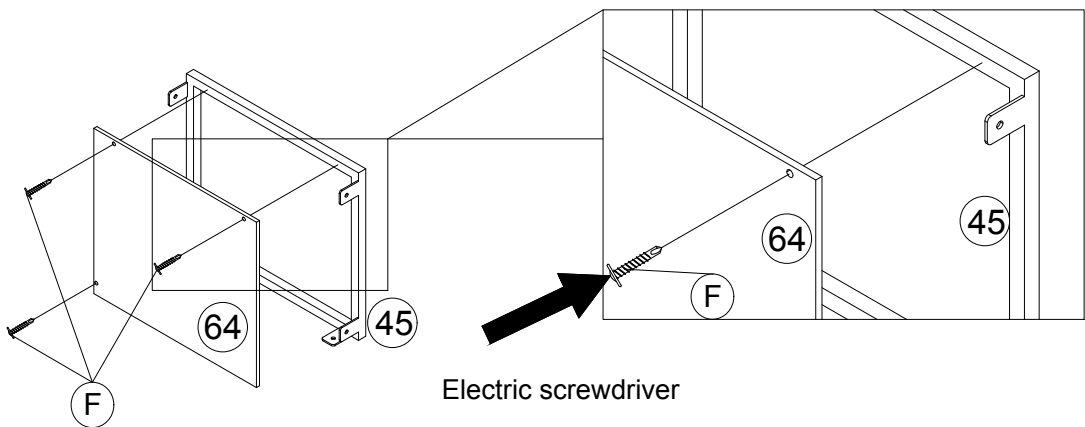
(D)



1/4*32

2 pcs

STEP 42



(K)

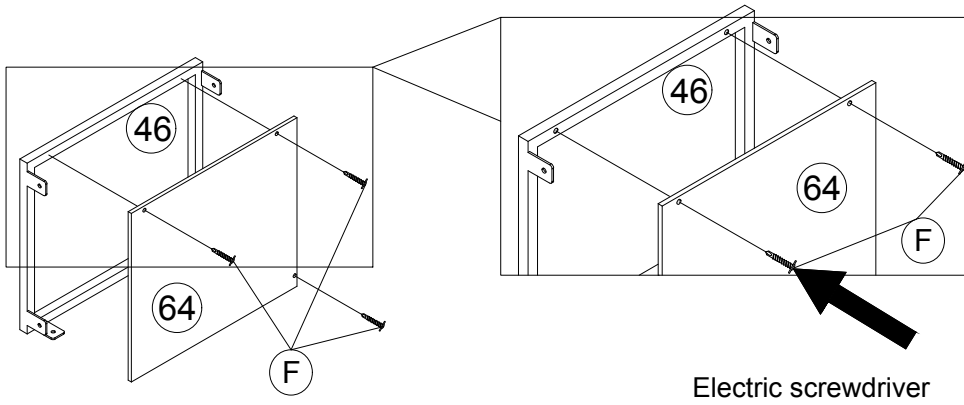



JPMT 4.2X16

3 pcs

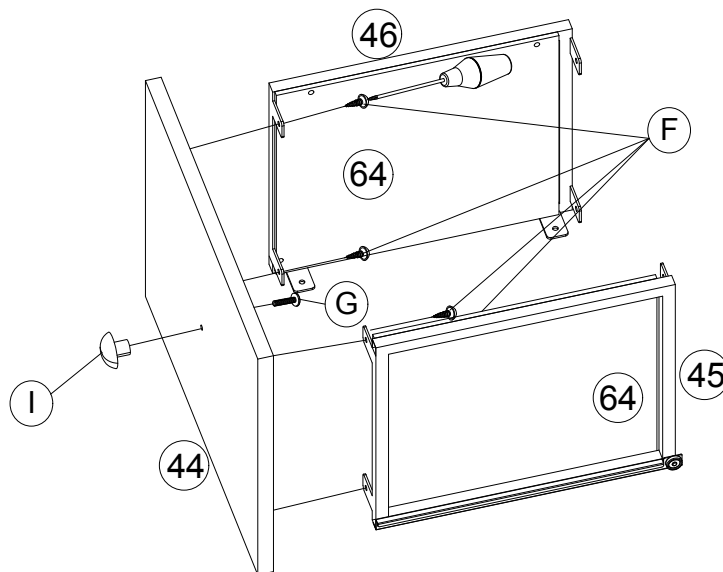
LOFT BED WITH SHELF ASSEMBLY INSTRUCTIONS ITEM: MF310759/MF310760




STEP 43



(K)		JPMT 4.2X16	3 pcs
-----	---	-------------	-------

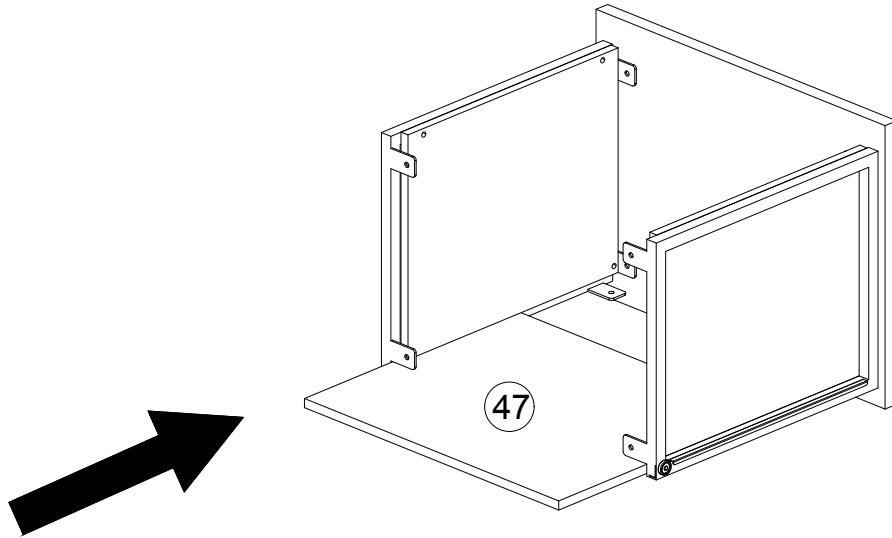
STEP 44



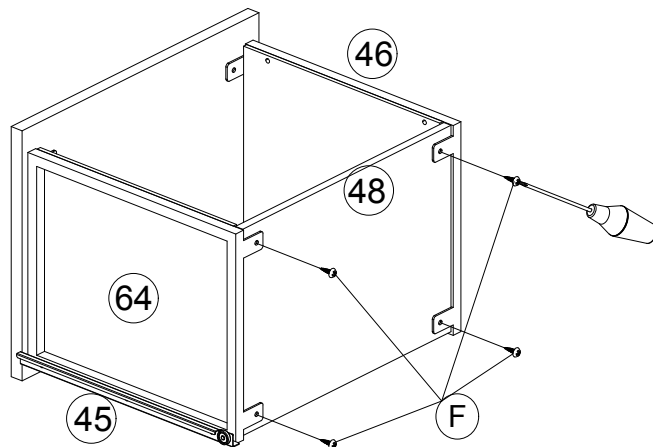
(F)		#8*10	4 pcs
(G)		5/32*25	1 pc
(I)		cabinet knob	1 pc

LOFT BED WITH SHELF
ASSEMBLY INSTRUCTIONS
ITEM: MF310759/MF310760

STEP 45



STEP 46



F

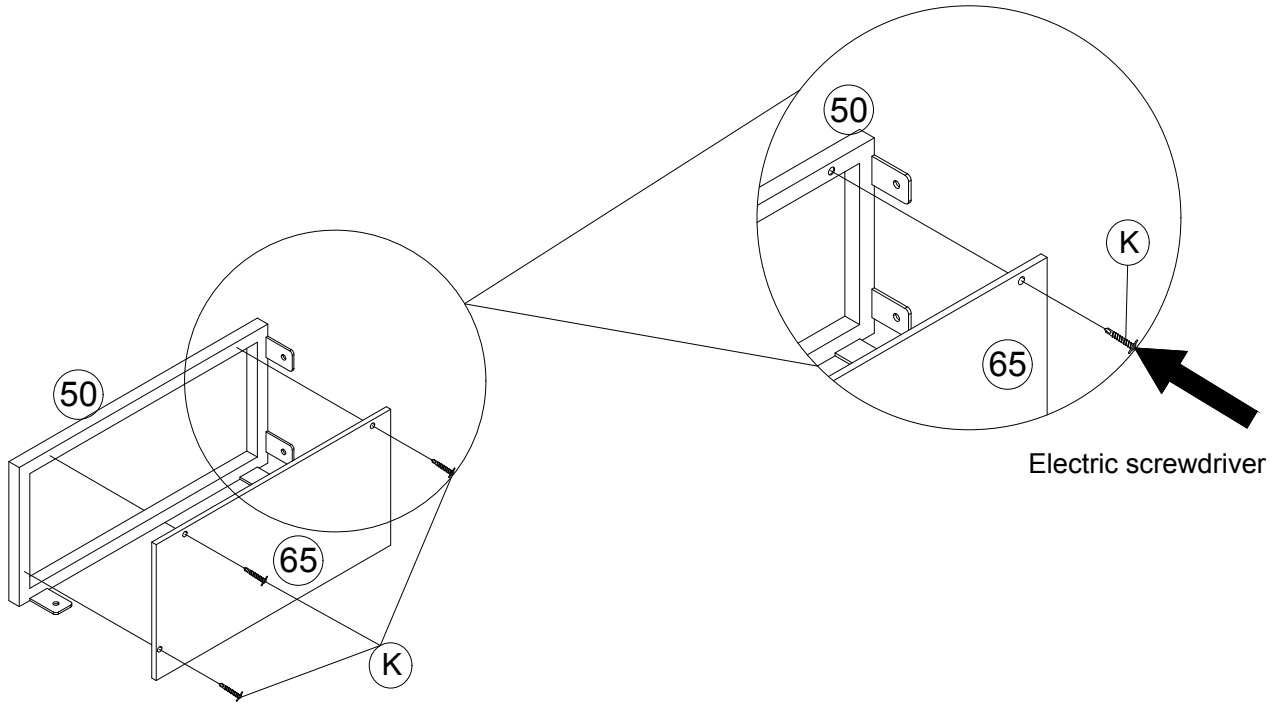


#8*10

4 pcs

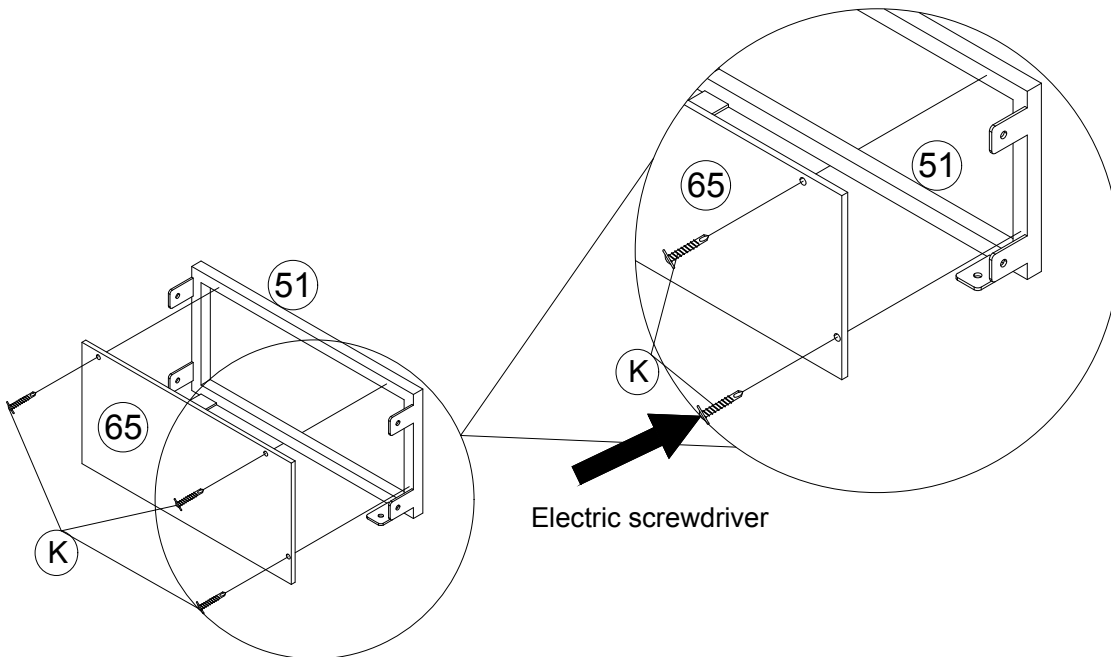
LOFT BED WITH SHELF ASSEMBLY INSTRUCTIONS ITEM: MF310759/MF310760

STEP 47
X2



(K)		JPMT 4.2X16	3 pcs X2
-----	---	-------------	----------

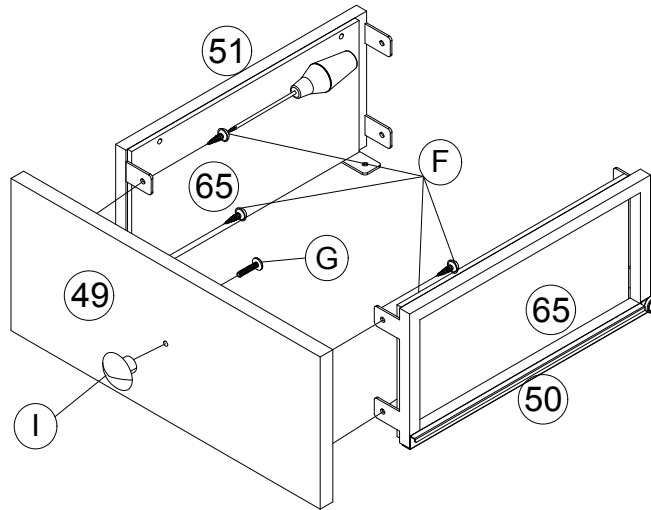
STEP 48
X2






(K)		JPMT 4.2X16	3 pcs X2
-----	---	-------------	----------

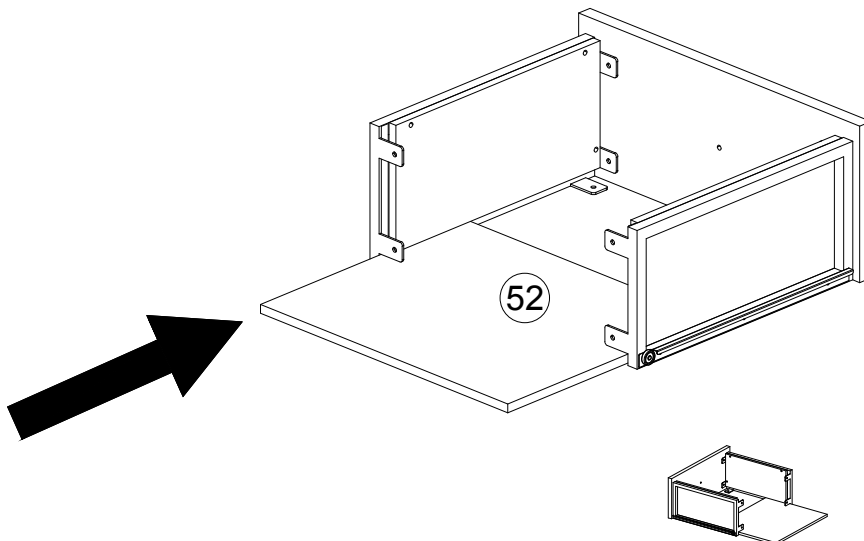
LOFT BED WITH SHELF ASSEMBLY INSTRUCTIONS ITEM: MF310759/MF310760

STEP 49 X2



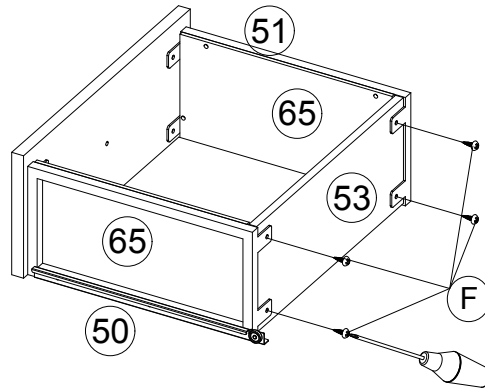
G		5/32*25	1 pc x2
F		#8*10	4 pcs x2
I		cabinet knob	1 pc x2

STEP 50 X2



LOFT BED WITH SHELF
ASSEMBLY INSTRUCTIONS
ITEM: MF310759/MF310760

STEP 51
X2



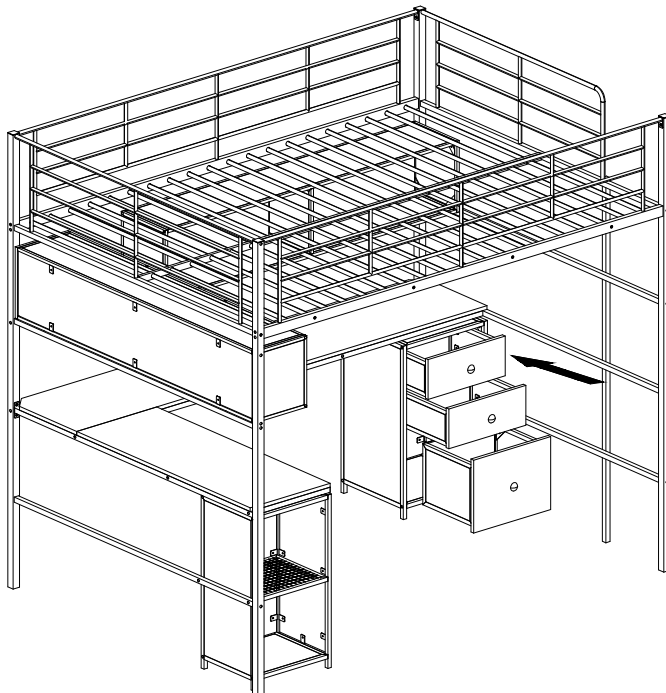
F



#8*10

4 pcs x2

COMPLETE



LOFT BED WITH SHELF
ASSEMBLY INSTRUCTIONS
ITEM: MF310759/MF310760

COMPLETE

