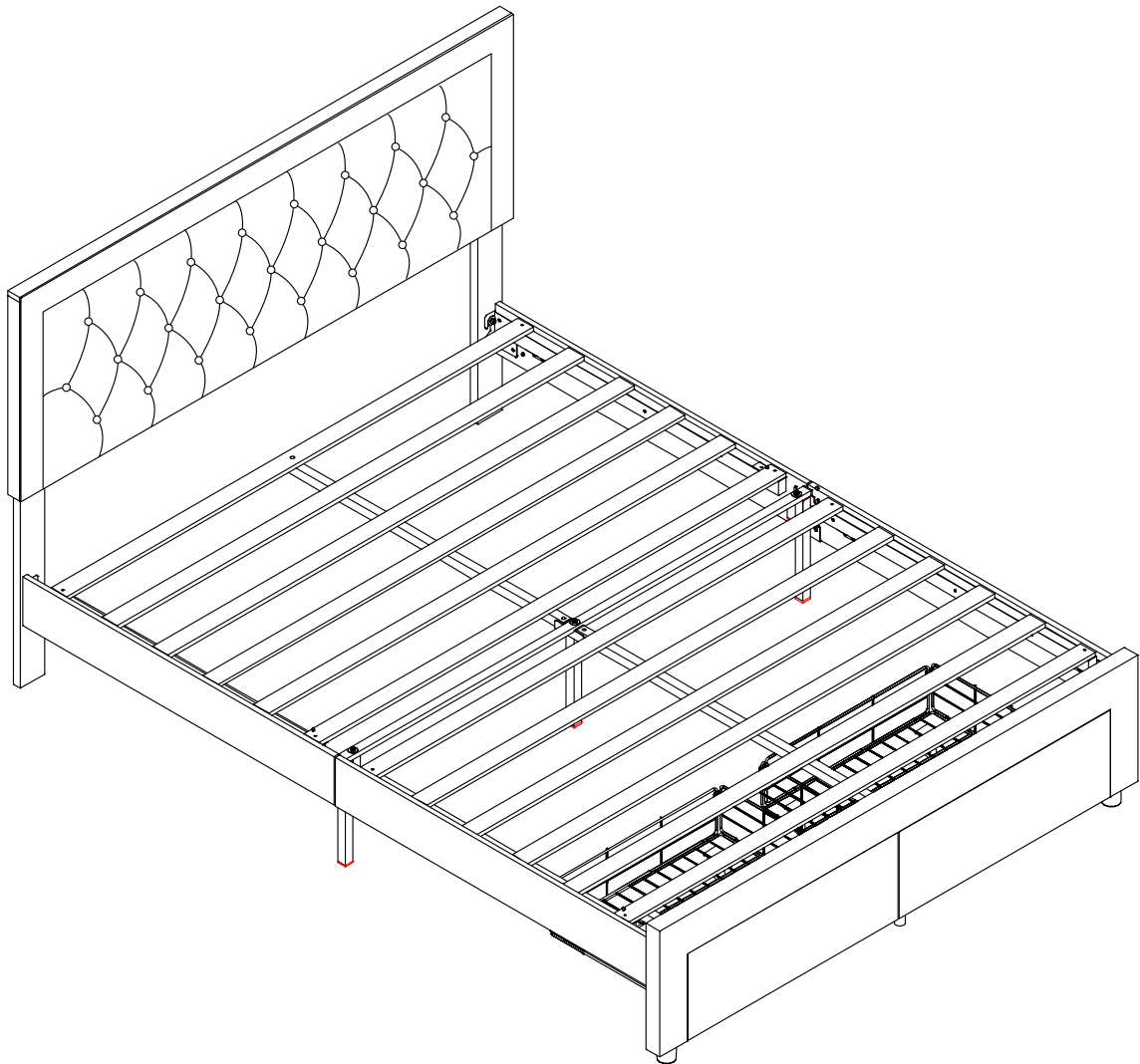


# User's Manual

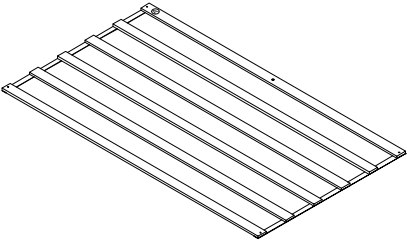
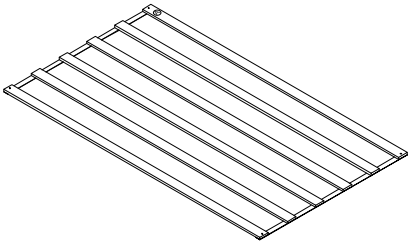
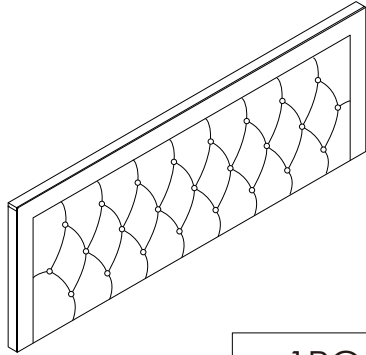

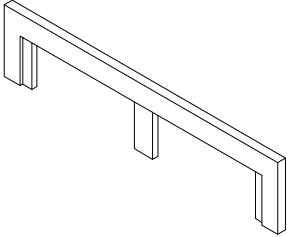
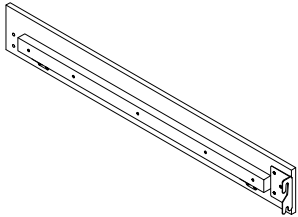
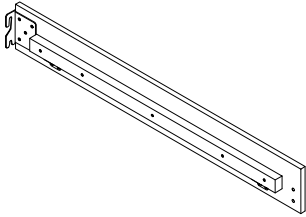
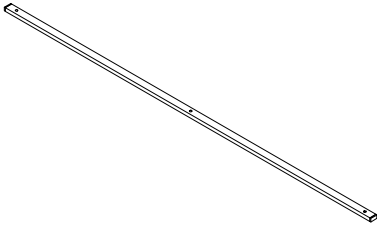
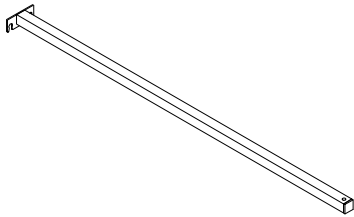
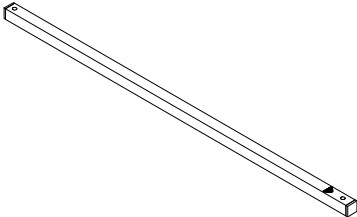
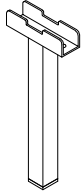
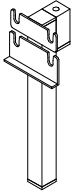

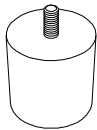

---

## Bed Frame Full Size

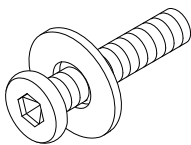

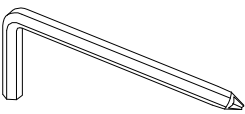
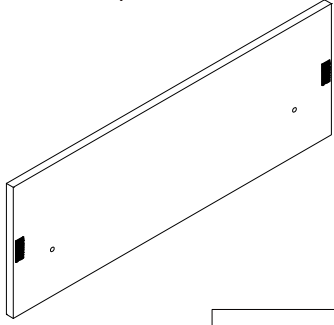
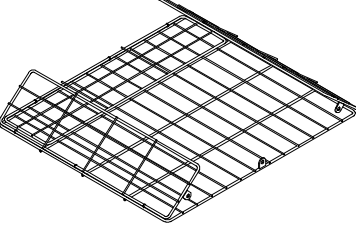
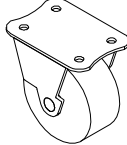
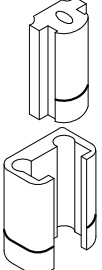

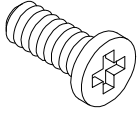


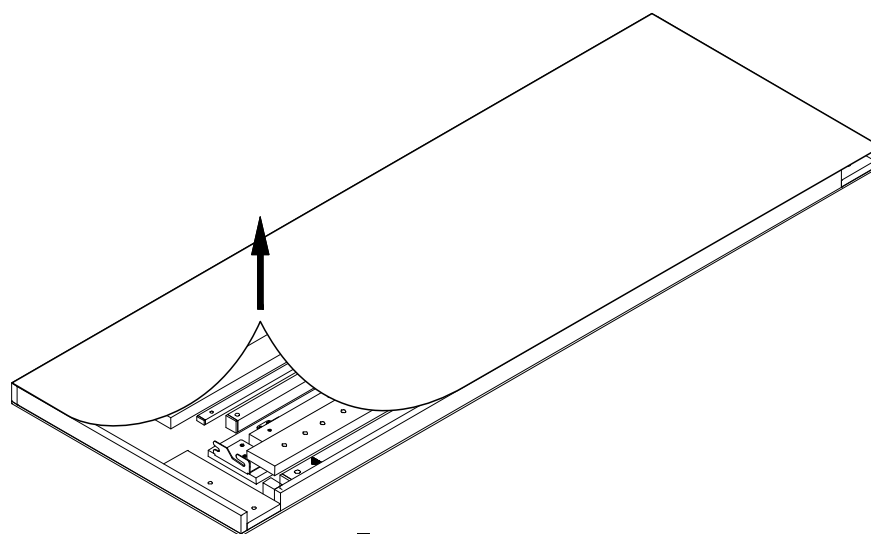
V1.0

## Parts List(EN) / Teile Liste(DE)

<p><b>A</b> Front Slat</p>  <p style="text-align: right;">1PC</p>	<p><b>B</b> Back Slat</p>  <p style="text-align: right;">1PC</p>	<p><b>C</b> Headboard</p>  <p style="text-align: right;">1PC</p>
<p><b>D</b> Headboard side leg</p>  <p style="text-align: right;">2PCS</p>	<p><b>E</b> Footboard</p>  <p style="text-align: right;">1PC</p>	<p><b>F1</b> left siderails</p>  <p style="text-align: right;">2PCS</p>
<p><b>F2</b> Right siderails</p>  <p style="text-align: right;">2PCS</p>	<p><b>G</b> The brace</p>  <p style="text-align: right;">1PC</p>	<p><b>H</b> Back Middle cross beam</p>  <p style="text-align: right;">1PC</p>
<p><b>I</b> Front Middle cross beam</p>  <p style="text-align: right;">1PC</p>	<p><b>J</b> Middle leg</p>  <p style="text-align: right;">1PC</p>	<p><b>K</b> Edge of the foot</p>  <p style="text-align: right;">2PCS</p>
<p><b>L</b> Front Leg</p>  <p style="text-align: right;">1PC</p>	<p><b>M</b> Bed leg</p>  <p style="text-align: right;">2PCS</p>	<p><b>M1</b> Bed leg</p>  <p style="text-align: right;">1PC</p>

## Parts List(EN) / Teile Liste(DE)

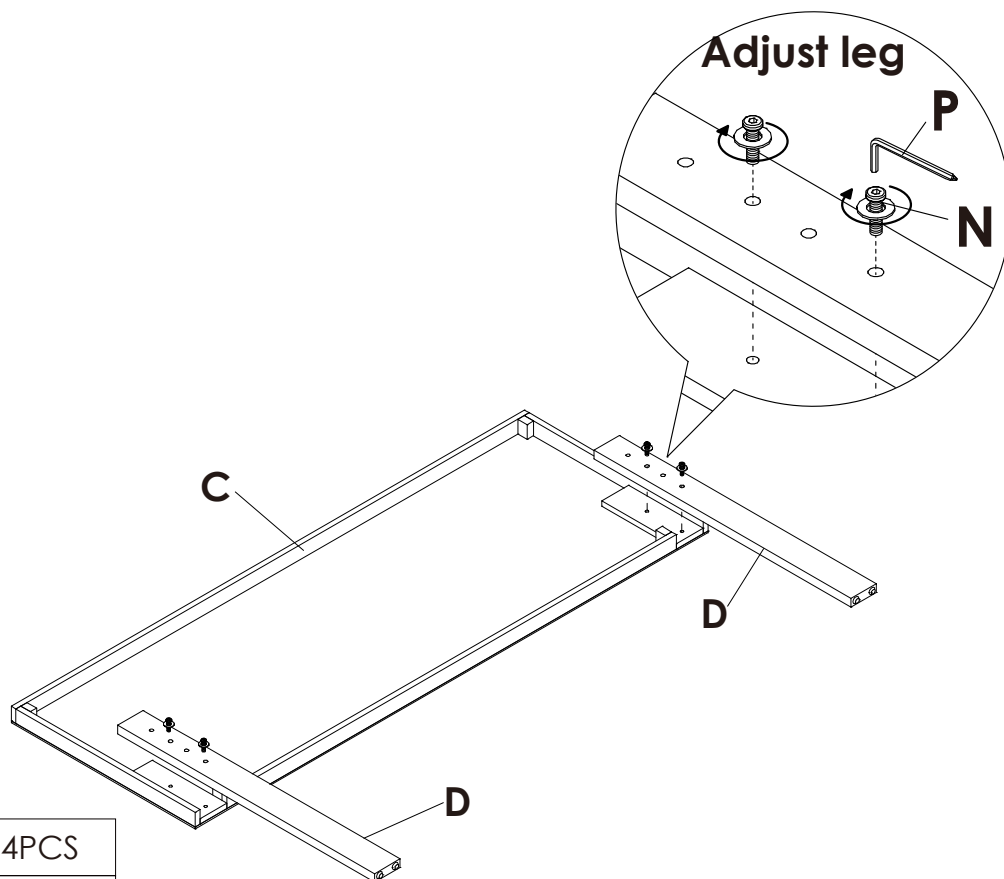
<p><b>N</b> Innerscrew</p>  <p>M8×45mm      10+1PCS</p>	<p><b>O</b> Screw</p>  <p>M3.5×30mm      8+1PCS</p>	<p><b>P</b> Inner allen wrench</p>  <p>1PC</p>
<p><b>Q</b> Drawer panel</p>  <p>2PCS</p>	<p><b>R</b> Drawer</p>  <p>2PCS</p>	<p><b>S</b> Drawer wheel</p>  <p>8PCS</p>
<p><b>T</b> Drawer connector</p>  <p>4PCS</p>	<p><b>U</b> Screw</p>  <p>M6×6mm      8+1PCS</p>	<p><b>V</b> Screw</p>  <p>M6×15mm      6PCS</p>

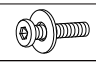



A B C D E F1 F2 G H K L M M1 N O P Q R S T U V

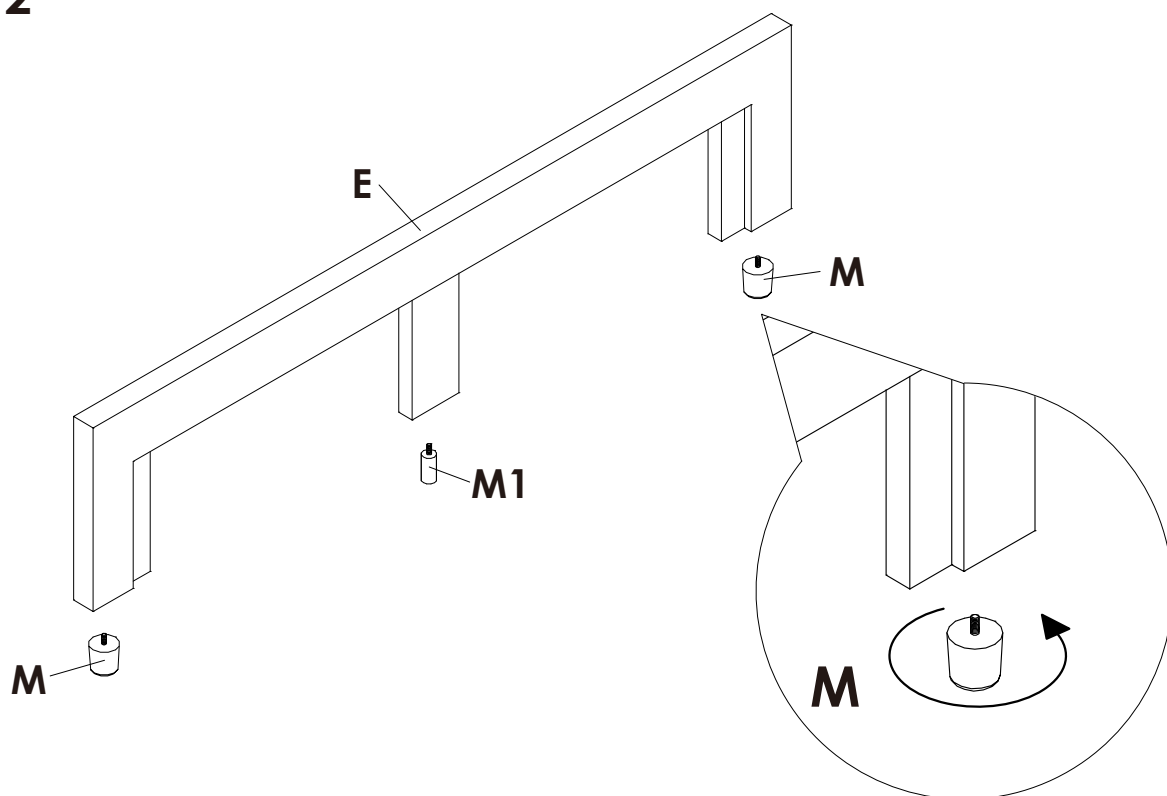
# Assembly Steps(EN) / Montageschritte(DE)

## STEP 1



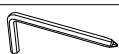
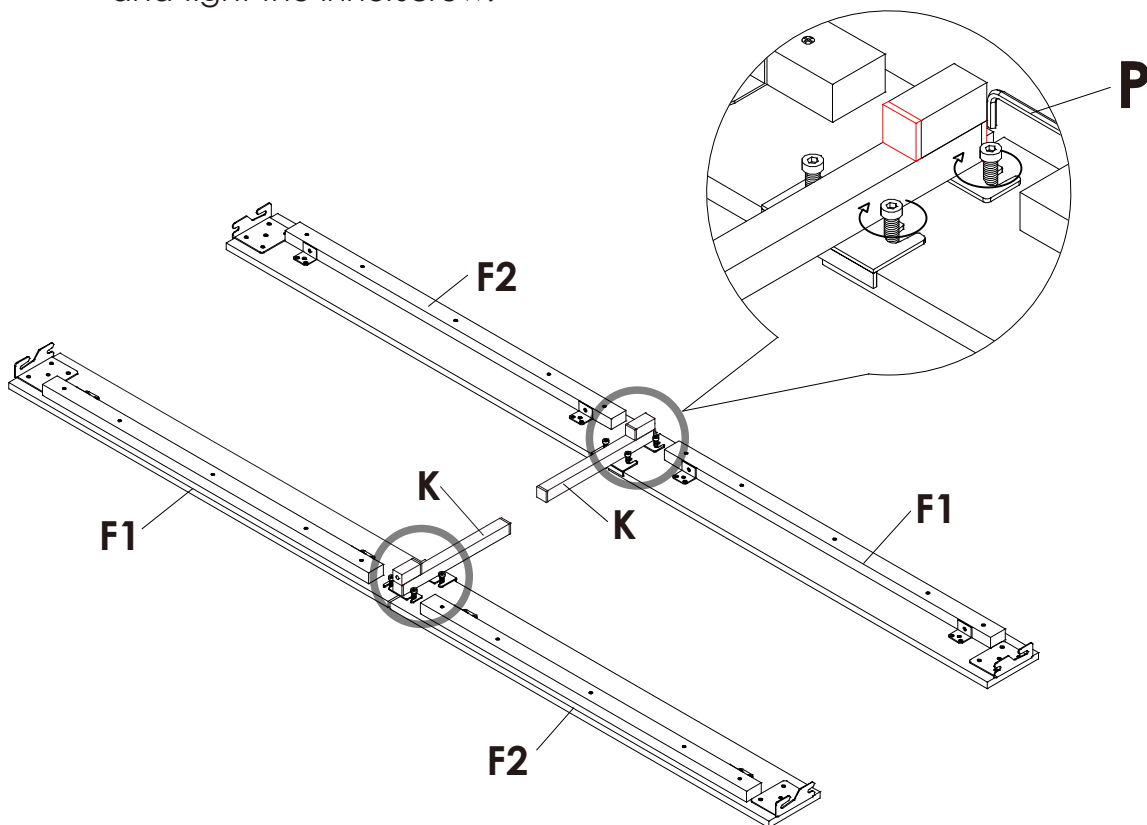
	N x 4PCS
	P x 1PC

## STEP 2



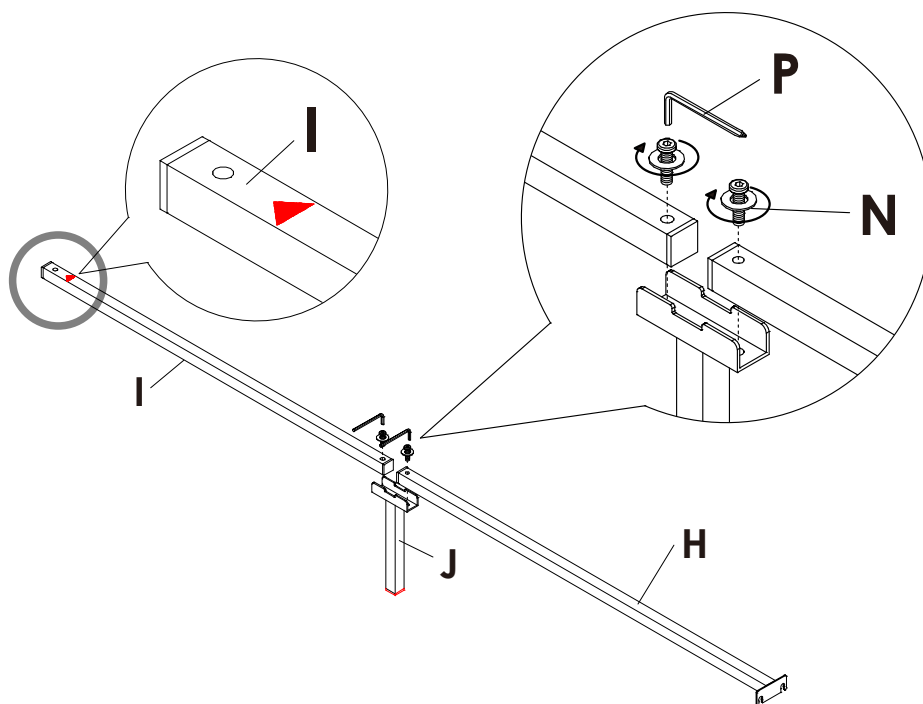
## Assembly Steps(EN) / Montageschritte(DE)

**STEP 3** Loosen the screw of siderails, install the edge of the foot, and tight the innerscrew.



**P** x 1PC

**STEP 4** Noted that the middle cross beam, the direction of the red arrow is the front



**N** x 2PCS

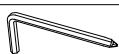
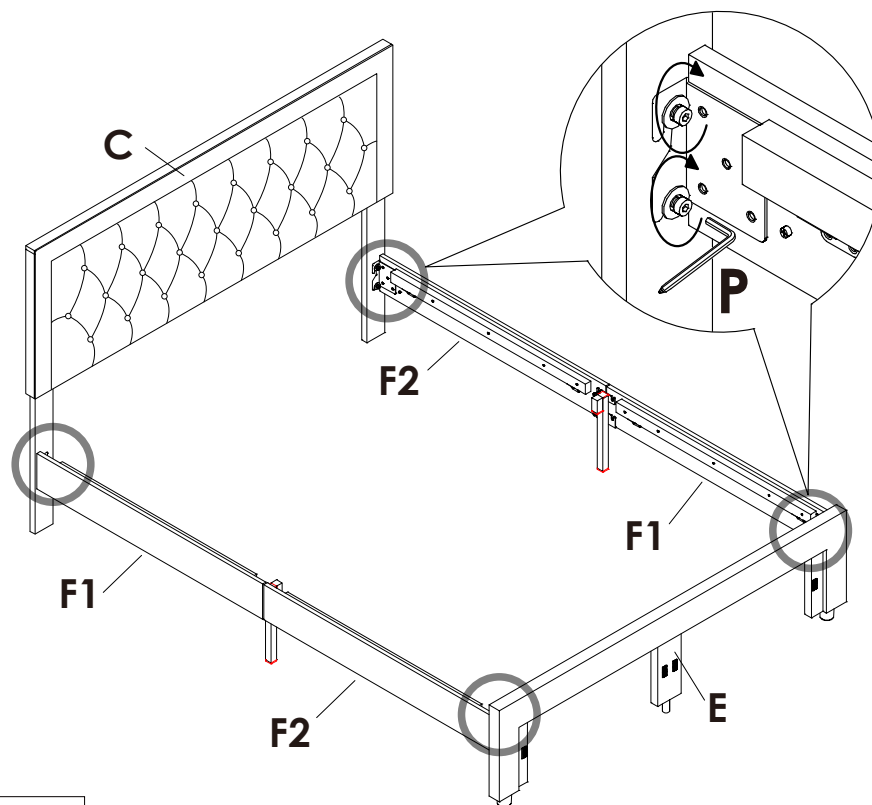


**P** x 1PC

## Assembly Steps(EN) / Montageschritte(DE)

### STEP 5

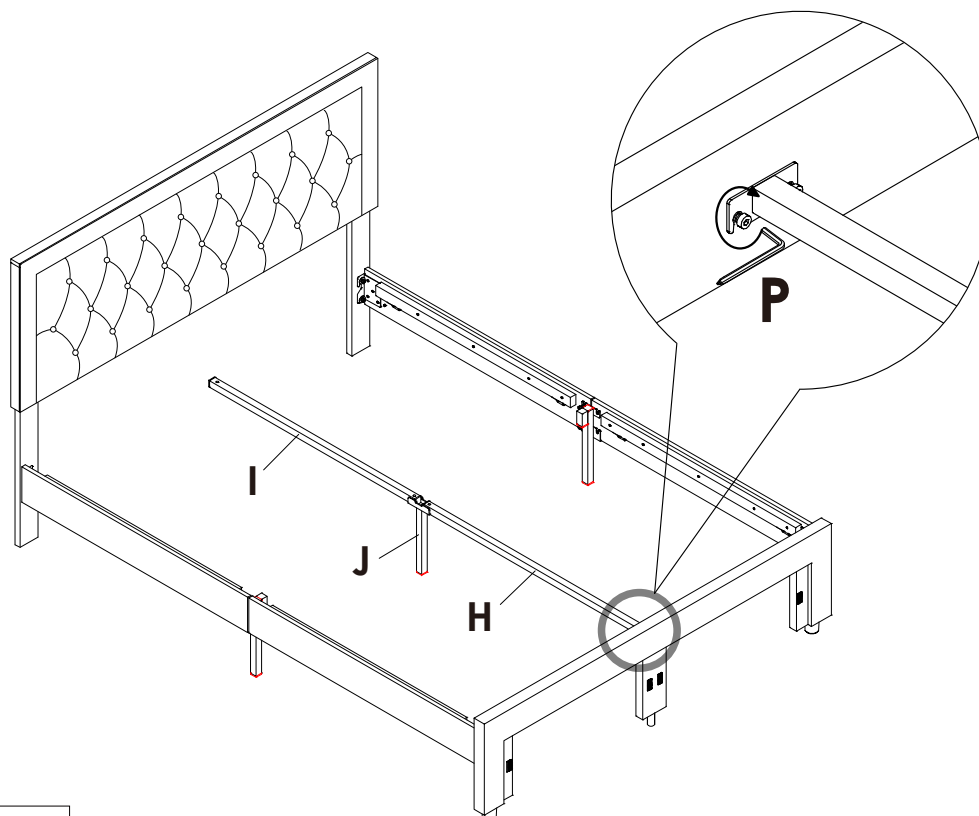
Loosen the screw of headboard side leg and both sides of footboard, hanging the bracket and tight the innerscrew.



P x 1PC

### STEP 6

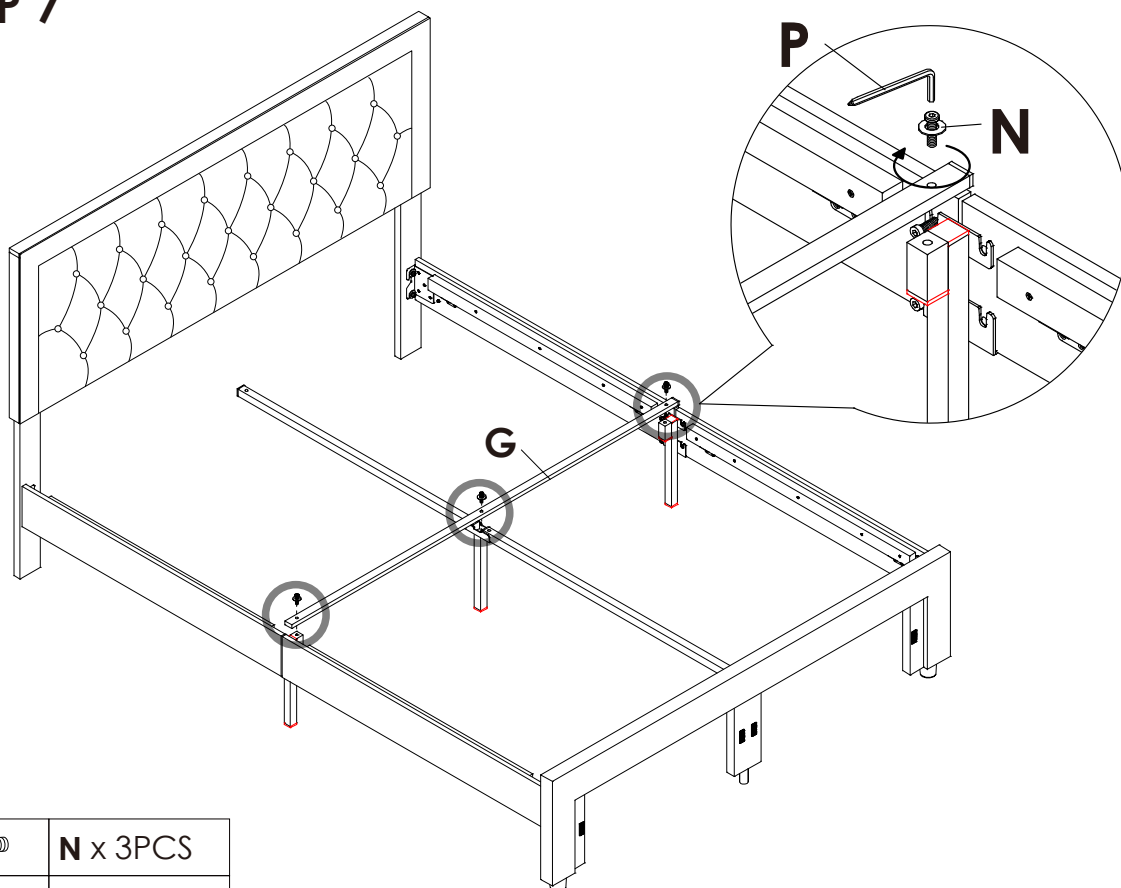
Loosen the screw of the middle of footboard, hanging the bracket and tight the innerscrew.





P x 1PC

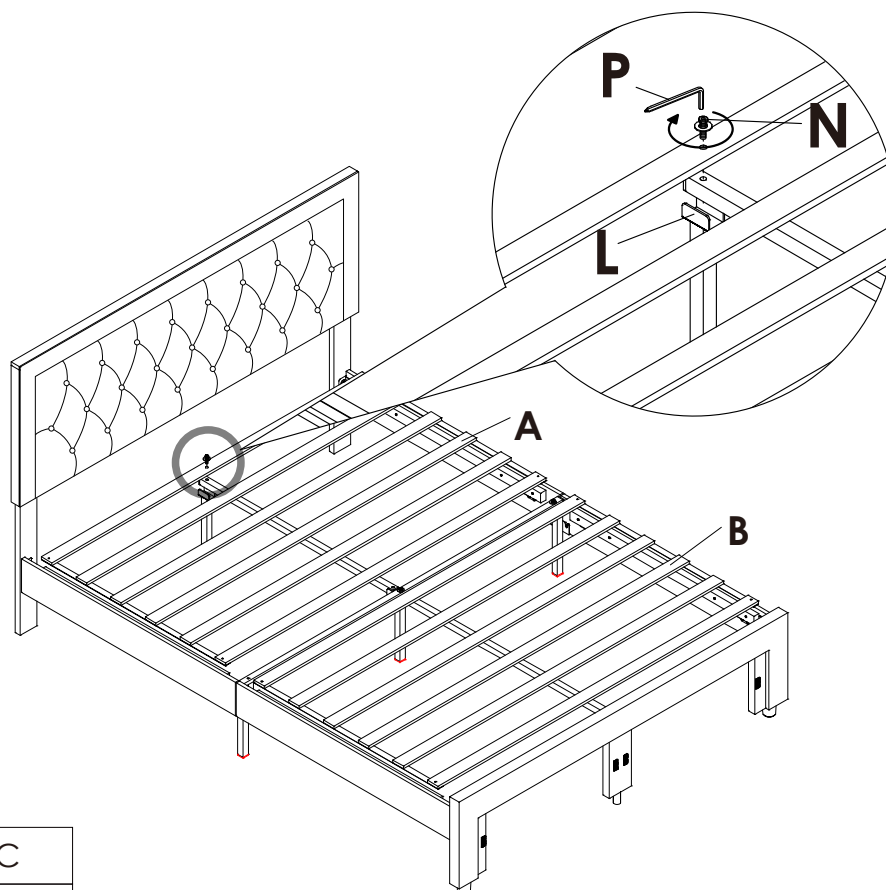
# Assembly Steps(EN) / Montageschritte(DE)

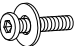

## STEP 7



	<b>N</b> x 3PCS
	<b>P</b> x 1PC

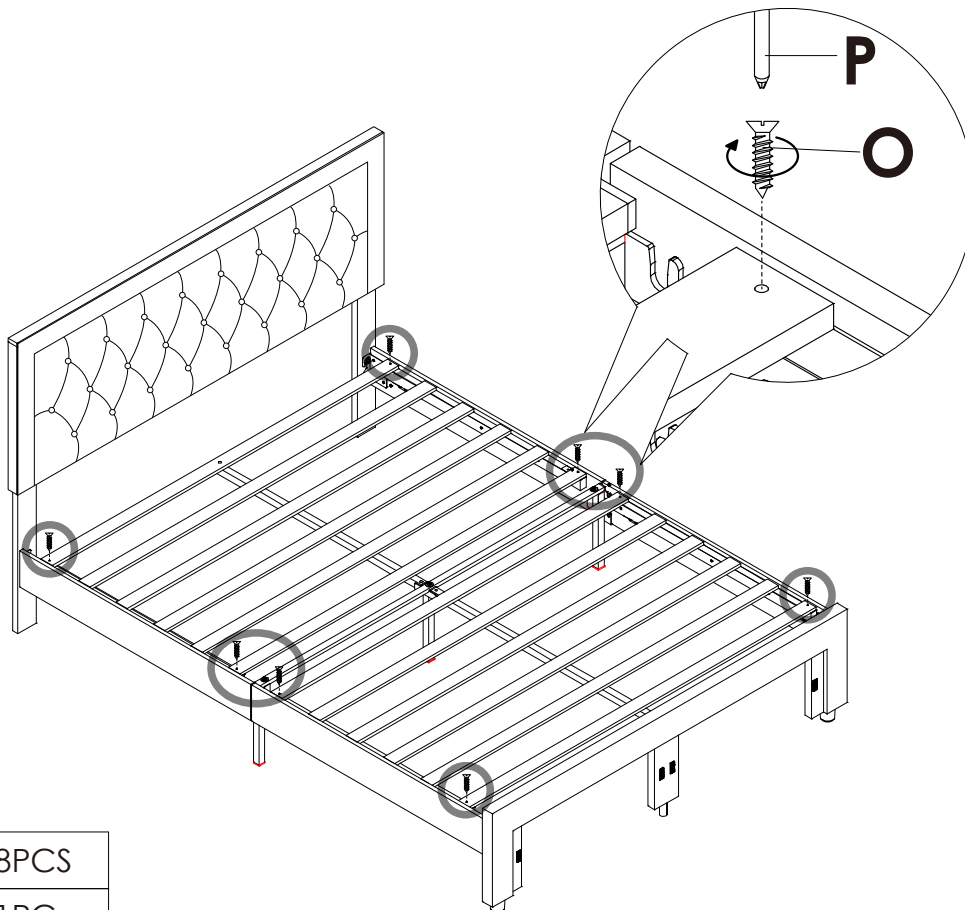
## STEP 8





	<b>N</b> x 1PC
	<b>P</b> x 1PC

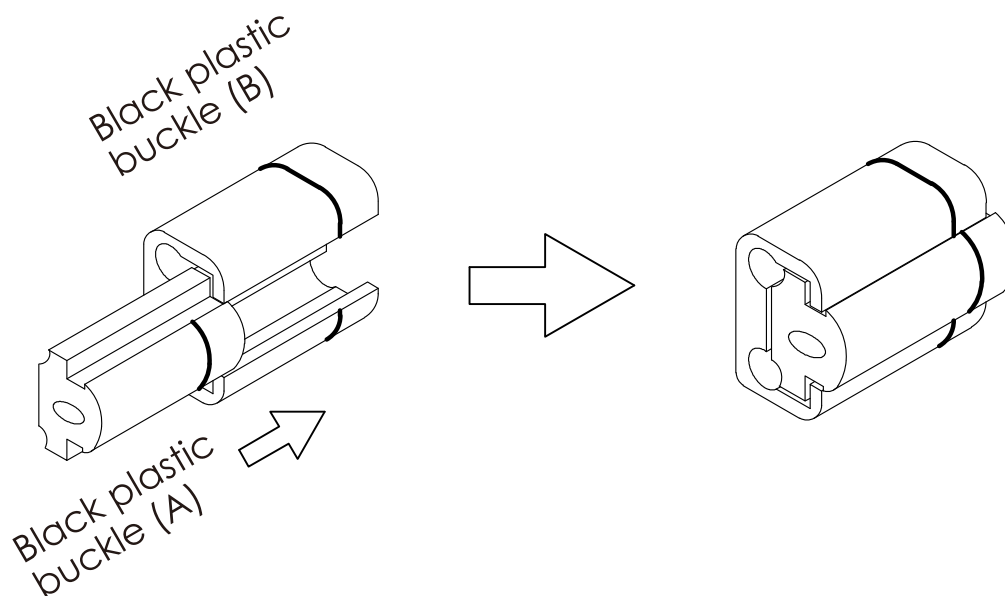
## Assembly Steps(EN) / Montageschritte(DE)

### STEP 9



	<b>O</b> x 8PCS
	<b>P</b> x 1PC

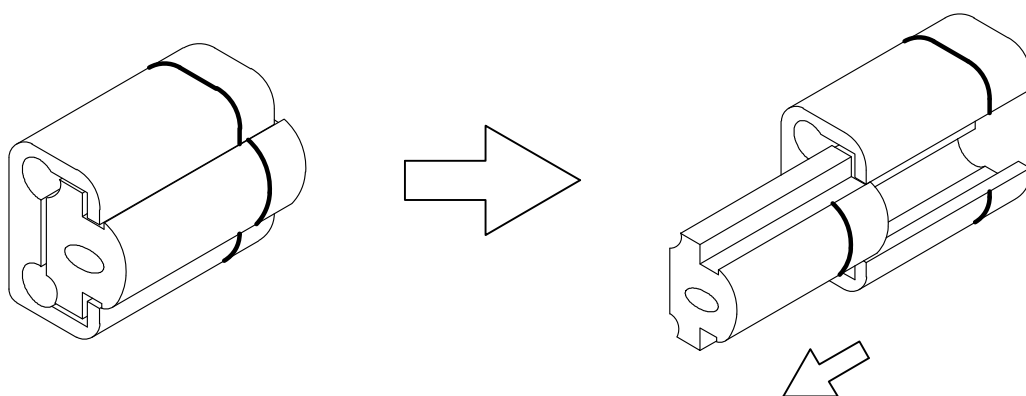
### STEP 10



So This is the only direction that can be locked

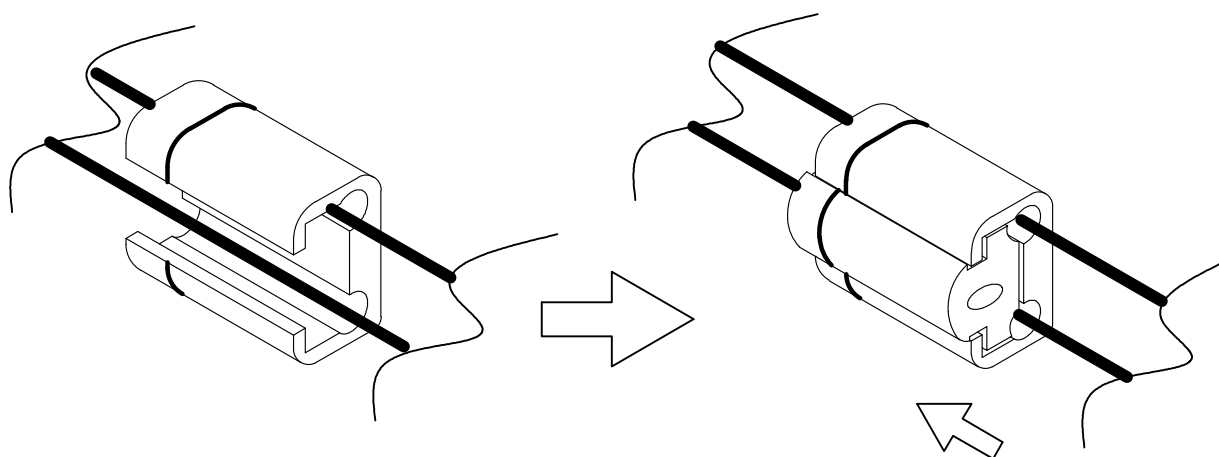
## Assembly Steps(EN) / Montageschritte(DE)

### STEP 11



You can pull the buckle out  
by following the direction  
indicated by the arrow

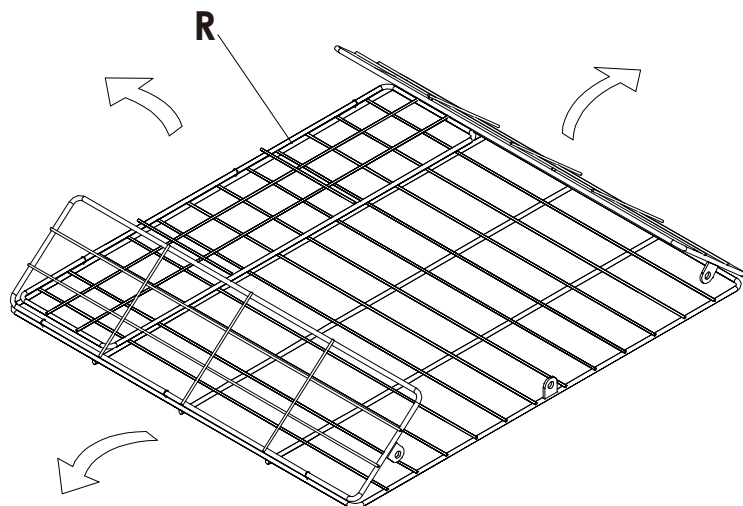
### STEP 12



Place round iron tube as shown  
for better drawer assembly

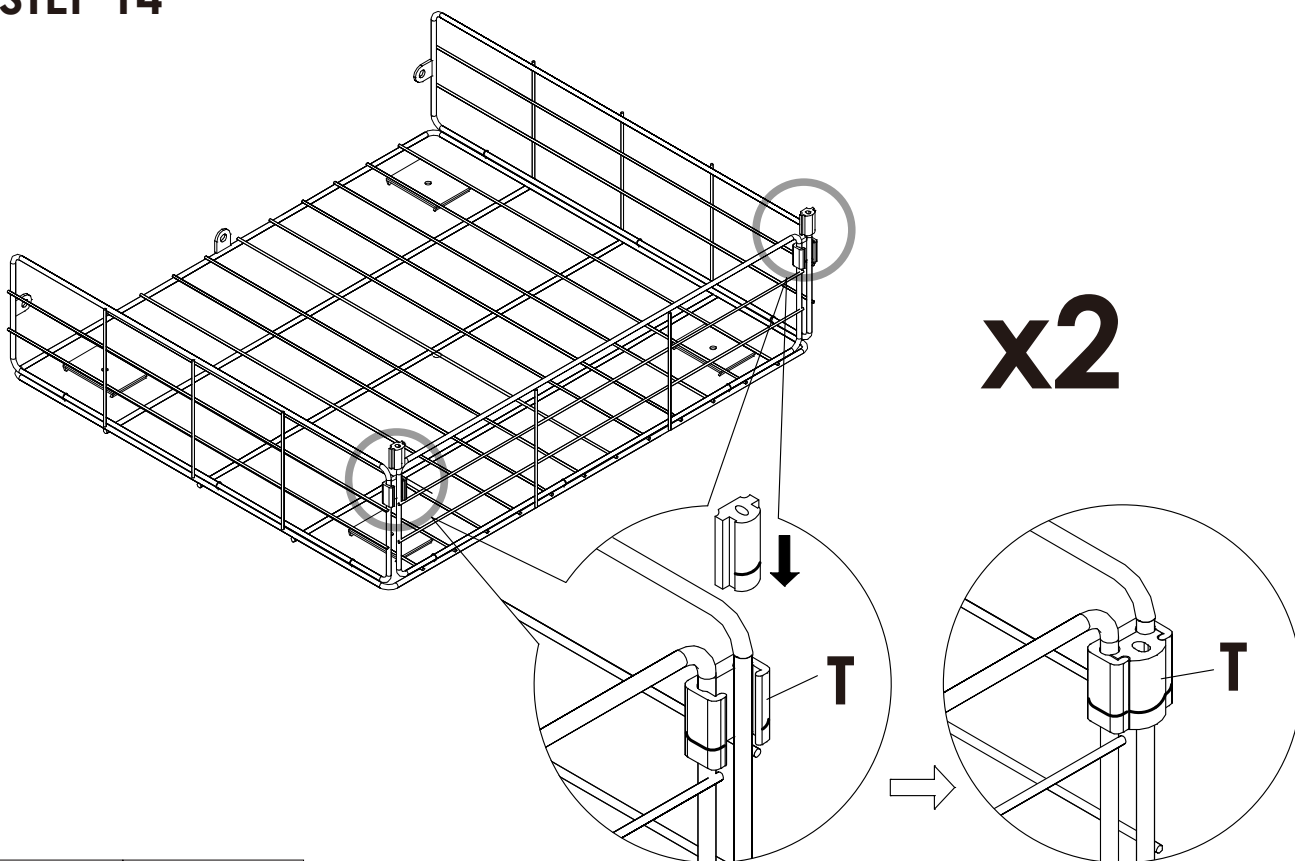
# Assembly Steps(EN) / Montageschritte(DE)

## STEP 13



**x2**

## STEP 14



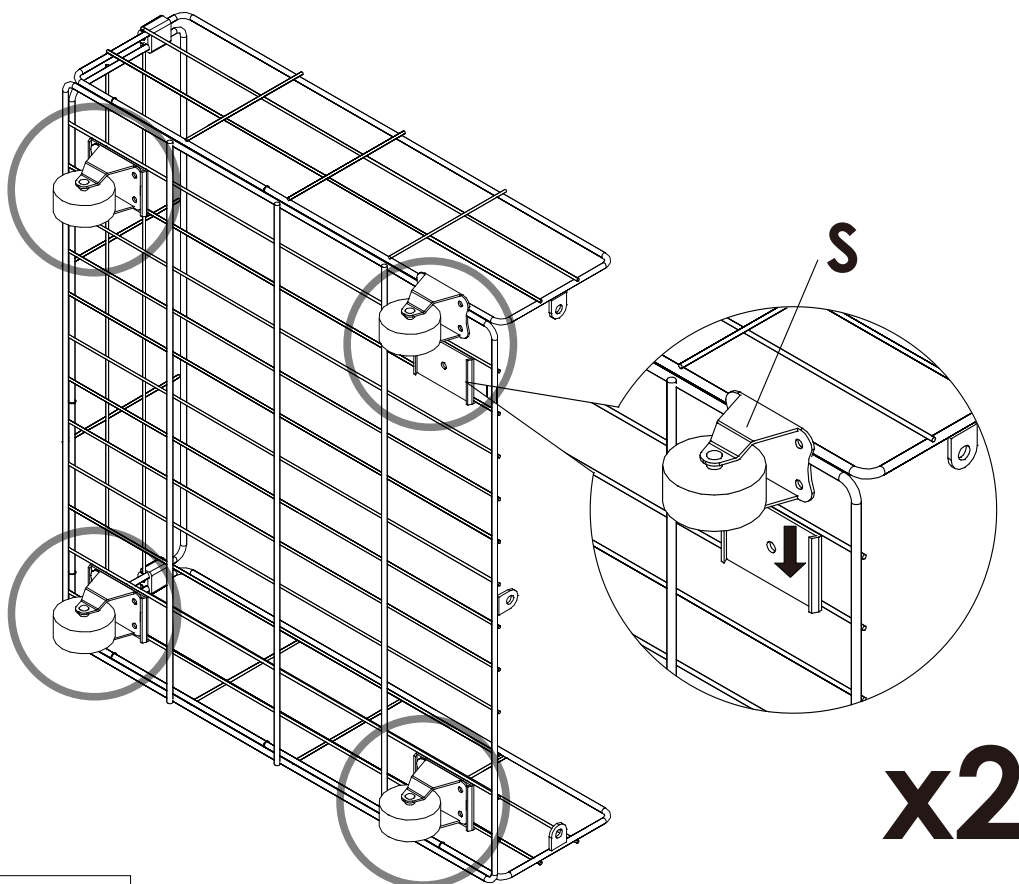
**x2**



**T x 4PCS**

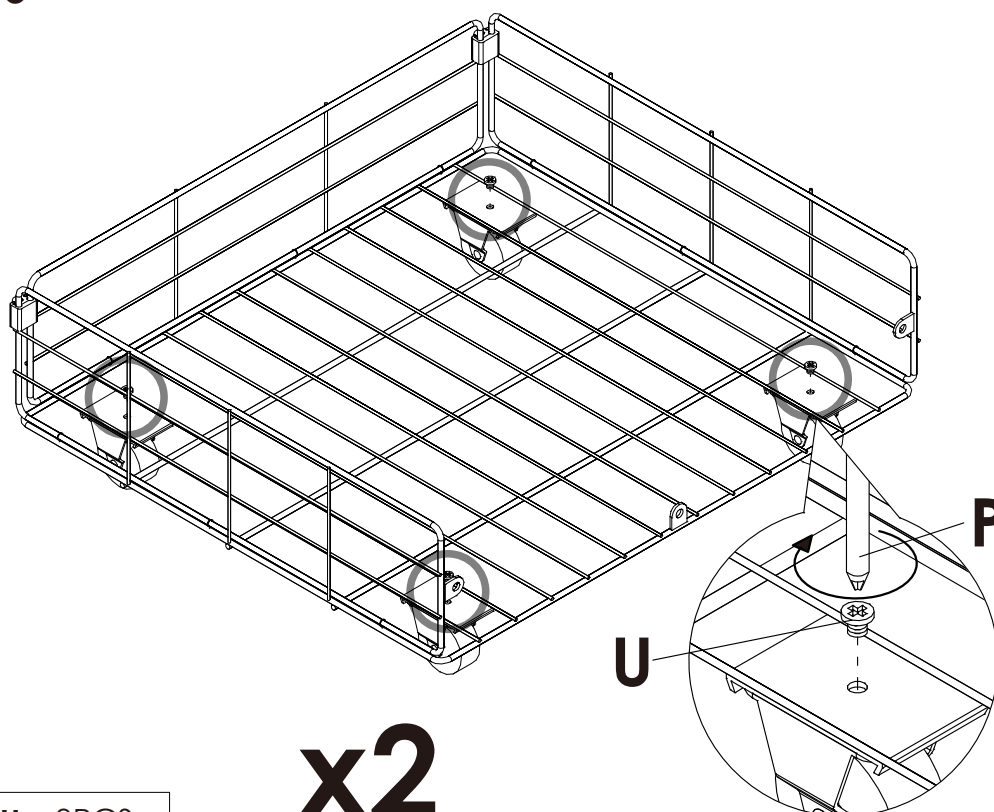
# Assembly Steps(EN) / Montageschritte(DE)

## STEP 15



S x 8PCS

## STEP 16



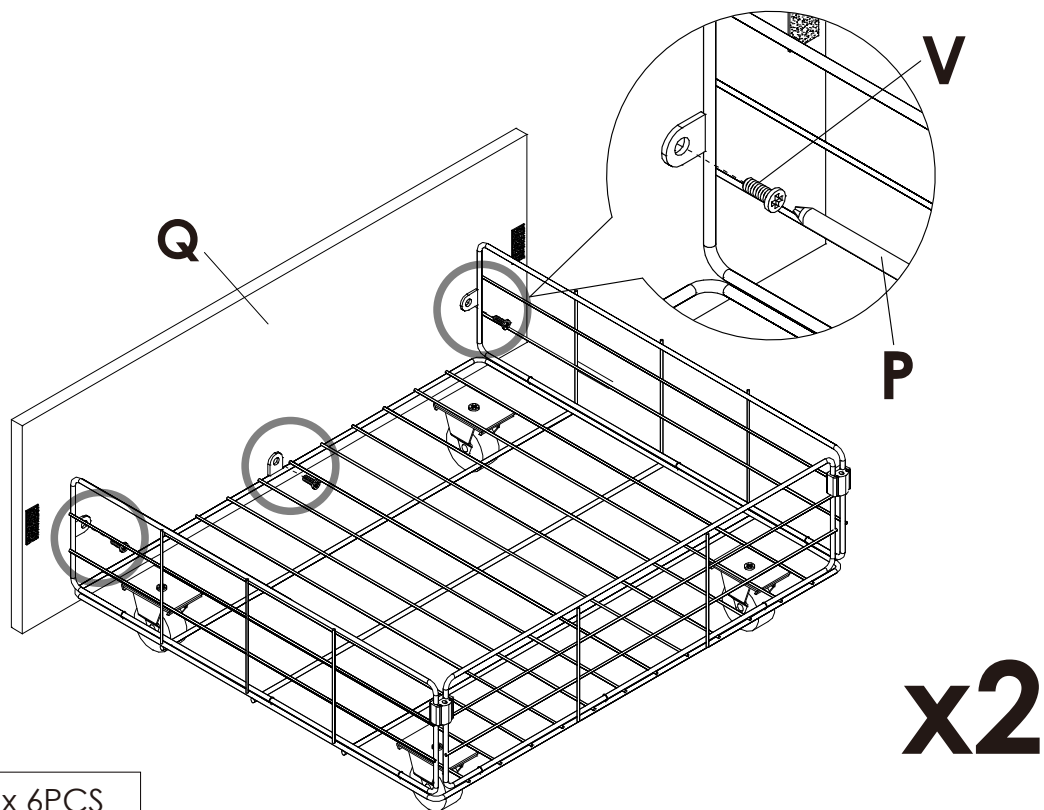
U x 8PCS



P x 1PC

# Assembly Steps(EN) / Montageschritte(DE)

## STEP 17



**V** x 6PCS



**P** x 1PC

## STEP 18

