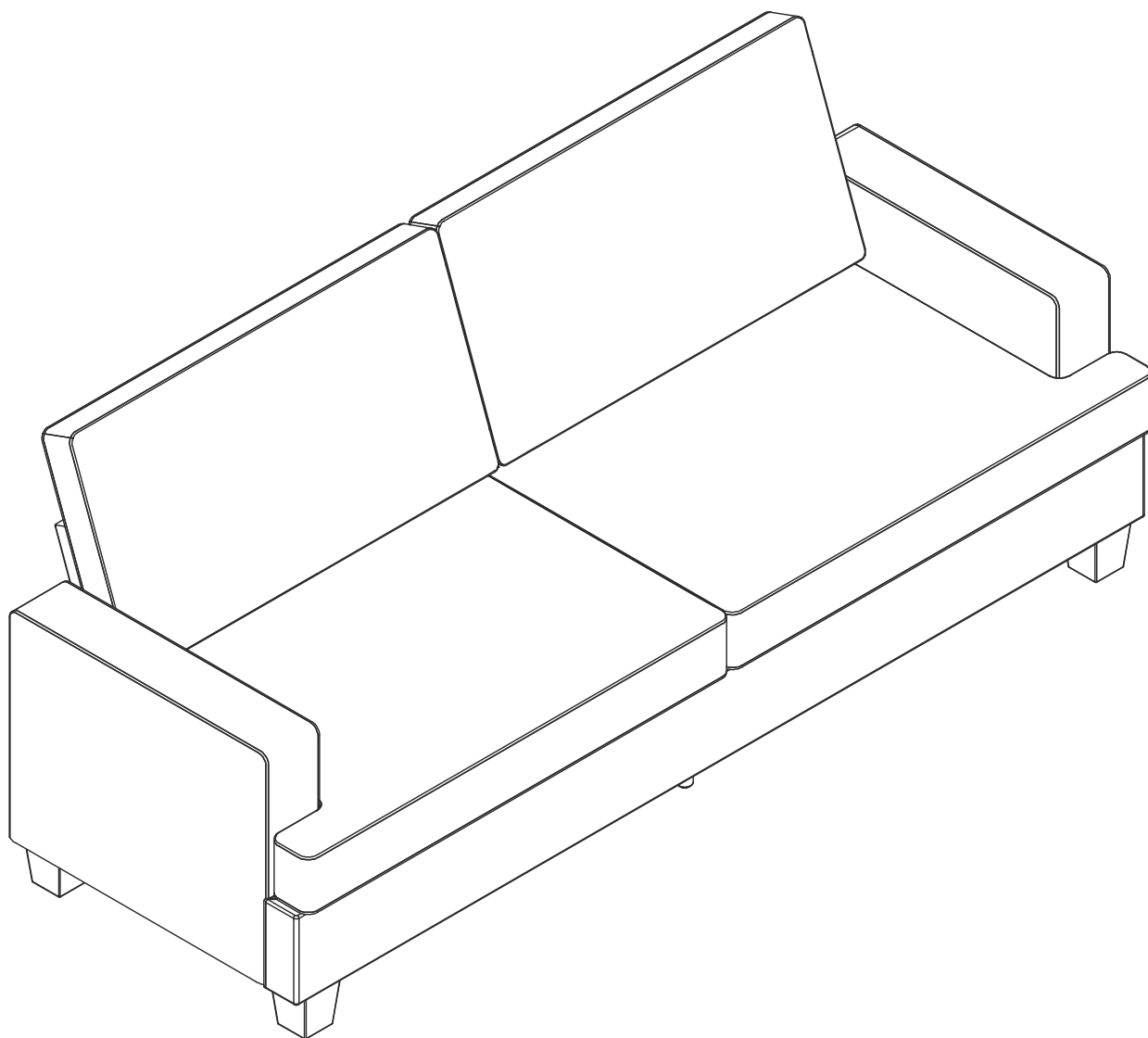
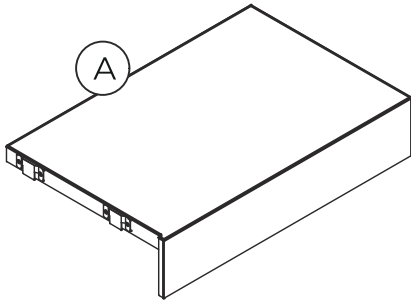


ASSEMBLY INSTRUCTION

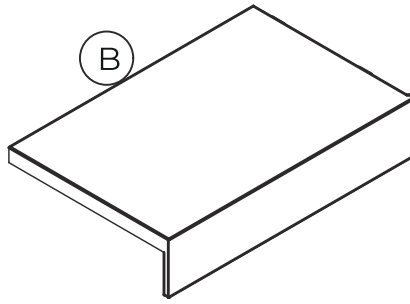


Sofa & Couch

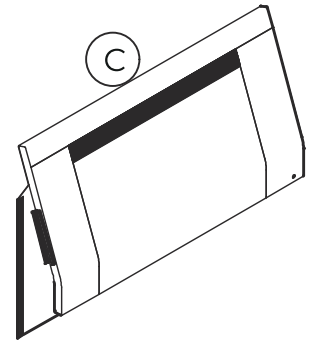
PART LIST



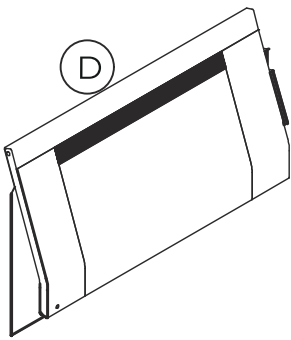
Left Seat Frame
1 PC



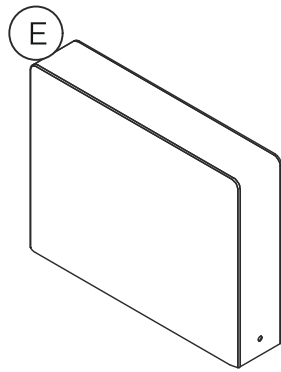
Right Seat Frame
1 PC



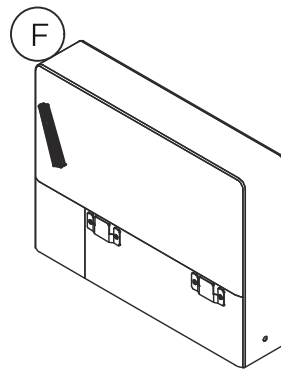
Left Back Frame
1 PC



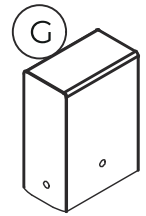
Right Back Frame
1 PC



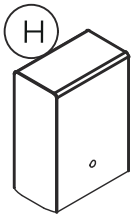
Left Armrest
1 PC



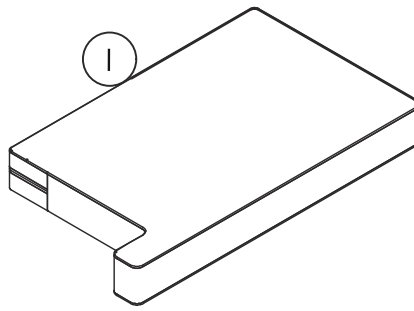
Right Armrest
1 PC



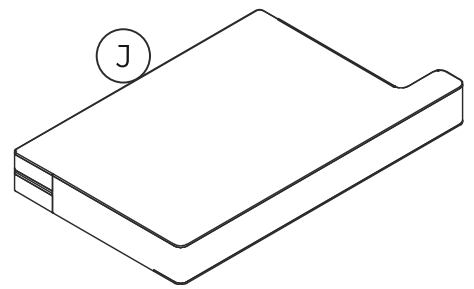
Front of Left Armrest
1 PC



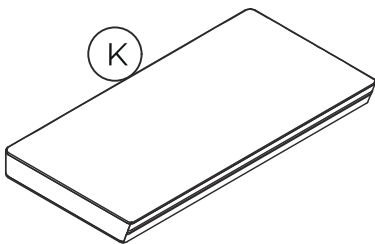
Front of Right Armrest
1 PC



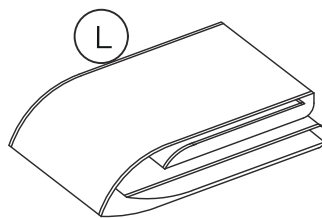
Left Seat Cushion
1 PC



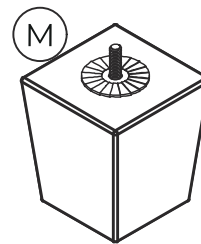
Right Seat Cushion
1 PC



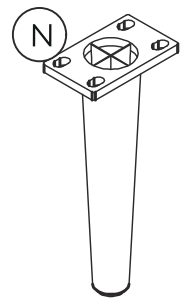
Back Cushion
2 PC



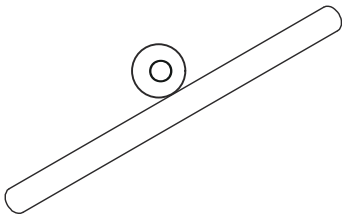
Front Cover
1 PC



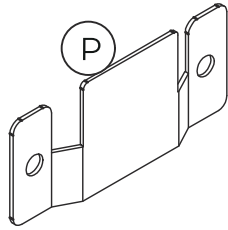
Leg
4 PC



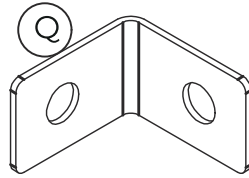
Middle Leg
2 PC



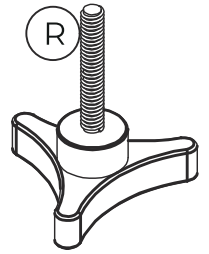
Connector
1 PC



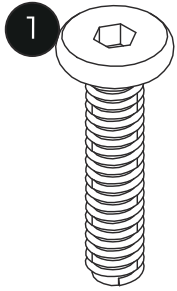
Plug-in
2 PC



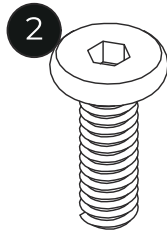
Bracket
2 PC



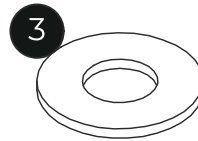
Bolt
2 PC



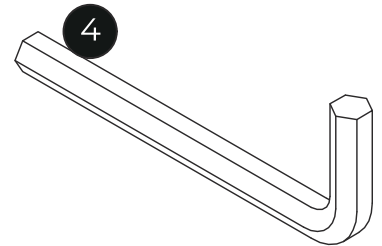
Bolt 5/16" X 35mm
X 8



Bolt 5/16" X 23mm
X 8



Washer
X 12



Allen Key
X 1

Weight Limit: 700 lb / 317 kg

Thank you for purchasing our product! We guarantee that the materials and craftsmanship of this product are defect-free!

PLEASE READ BEFORE ASSEMBLY

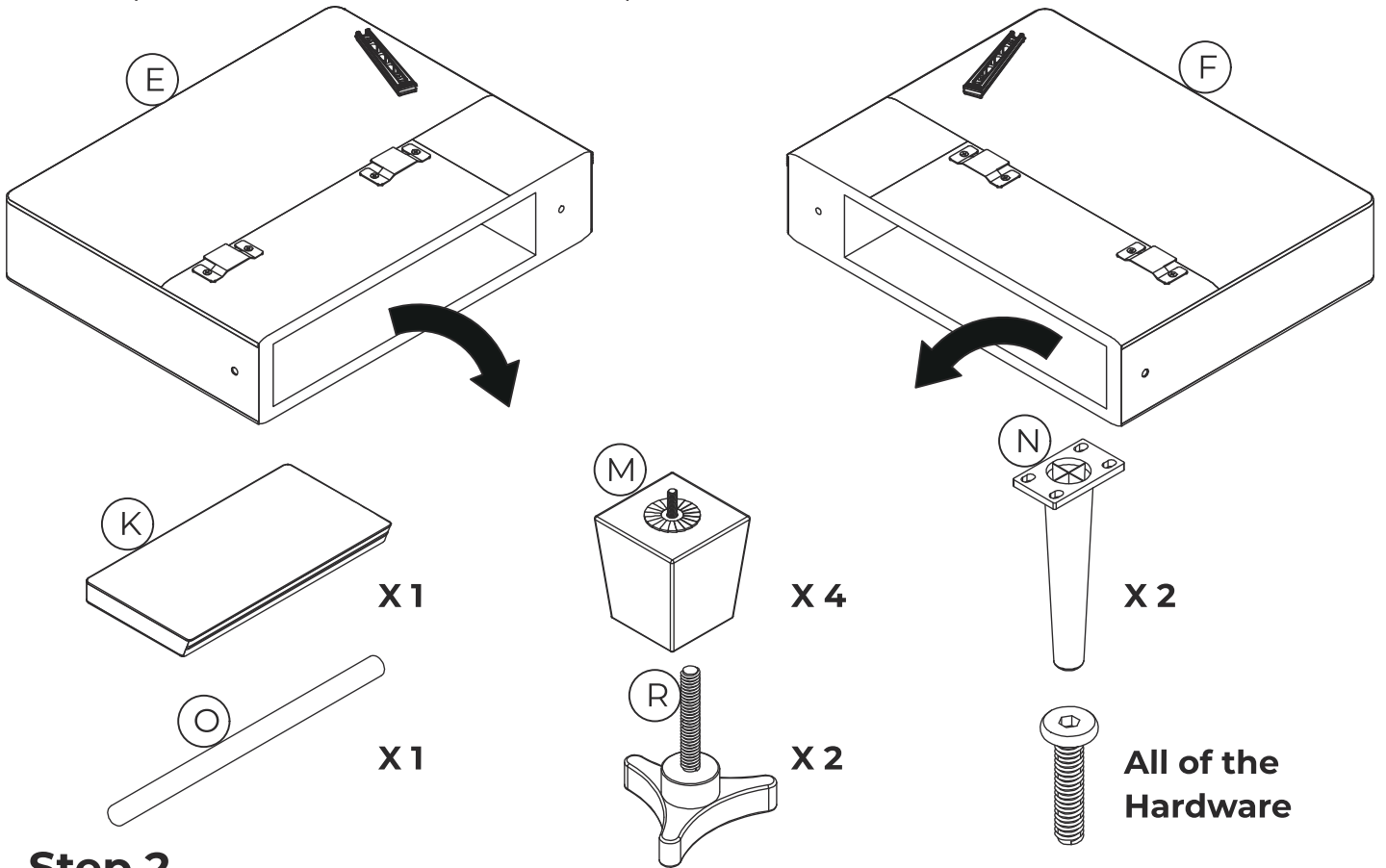
1. Follow the assembly Steps one by one, and do not skip any Steps.
2. Assemble the product in a spacious area, keeping a safe distance from infants and children. It's advisable to place protective packaging on the floor before assembly to safeguard your flooring and the product.
3. Thoroughly check to ensure that all connections (screws, bolts, etc.) are properly tightened.
4. If the product requires two or more people to assemble, do not attempt to install it alone, as it could pose a threat to your personal safety.

CAUTION

1. The product you purchased may have slight variations in appearance compared to the illustrations in the assembly instructions.
2. The packaging contains plastic bags; please keep these plastic bags out of the reach of infants and children. Avoid assembling near cribs, beds, infants, or children. The thin film of these bags can adhere to the mouth and nose, leading to suffocation. After removing the product, please dispose of the plastic bags immediately or use other packaging materials. Do not reuse these plastic bags.

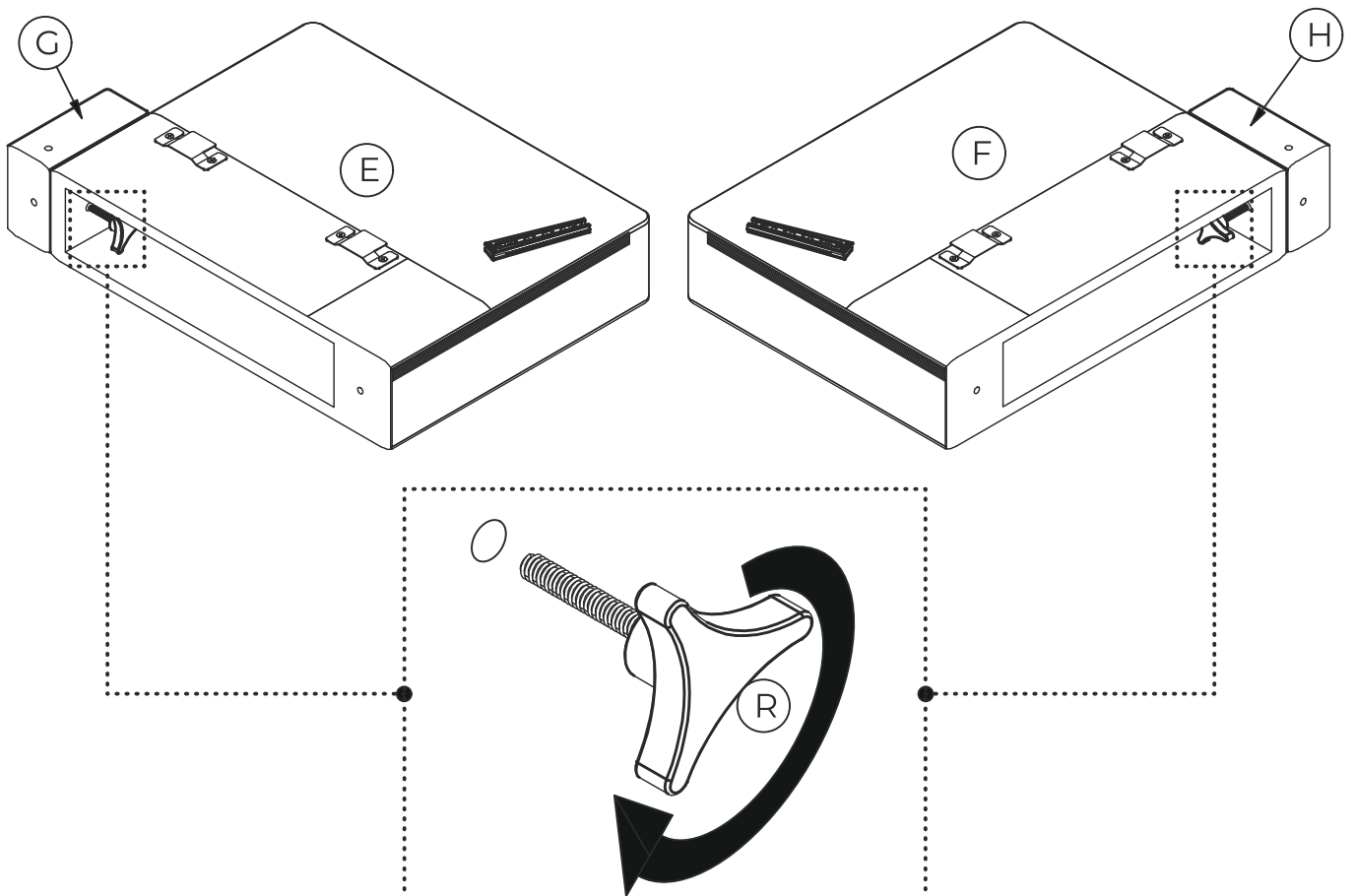
Step 1

Some parts will be found in the compartment under the Armrests, as shown.



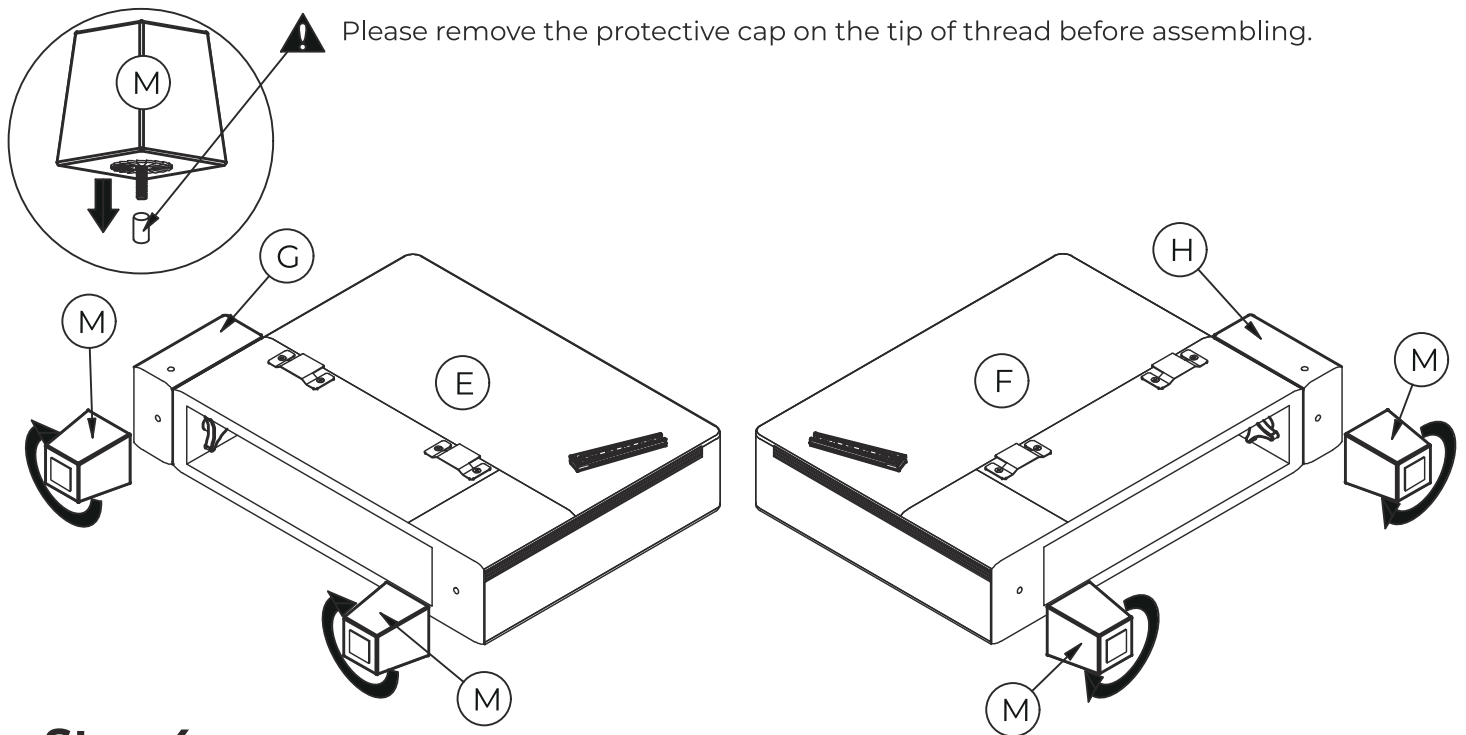
Step 2

Attach arm **G** & **H** to arm **E** & **F** with bolt **R** x 2, as shown.



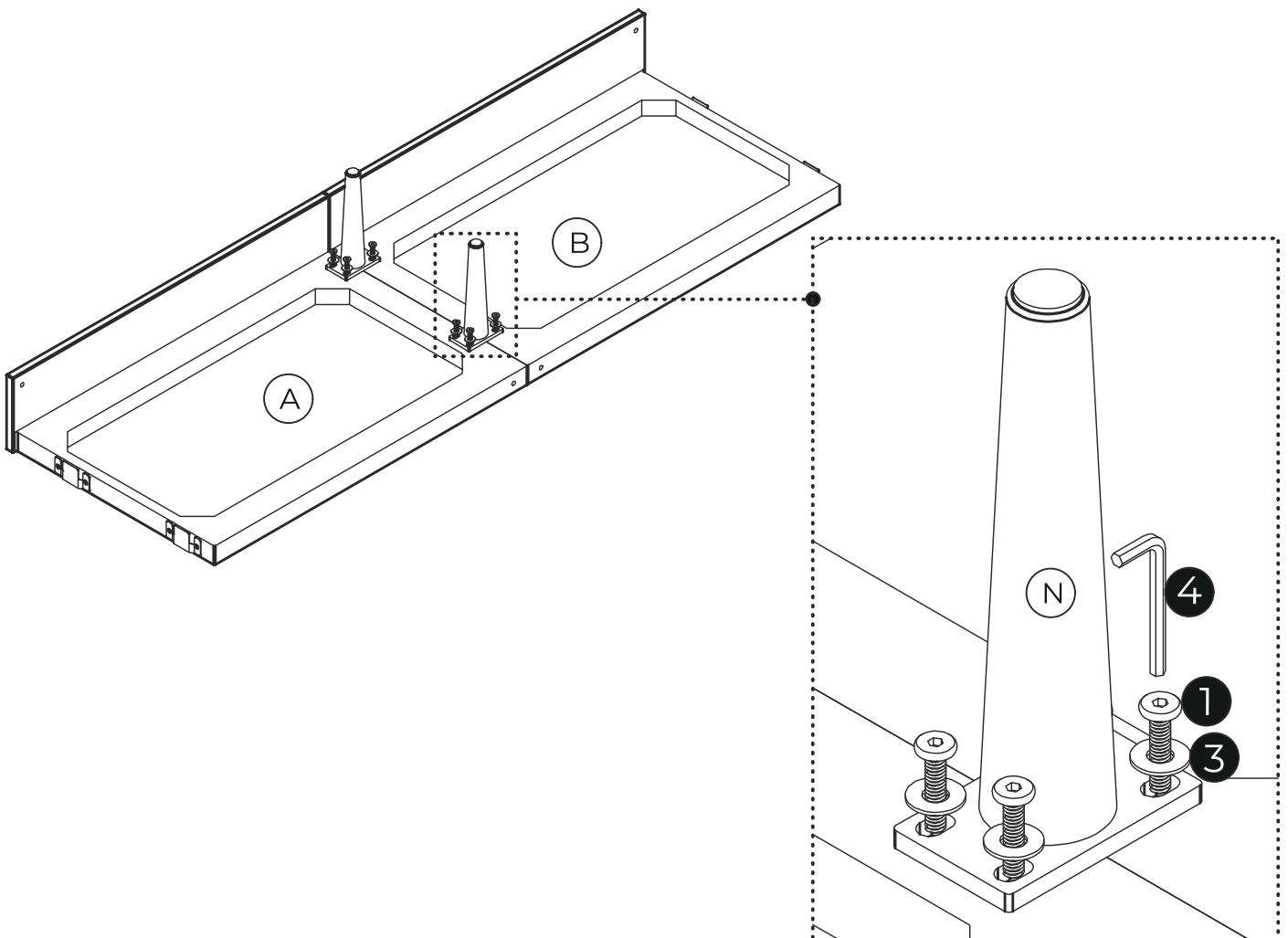
Step 3

Manually screw leg **M** x 4 to arms **E**, **F**, **G** & **H**, as shown.



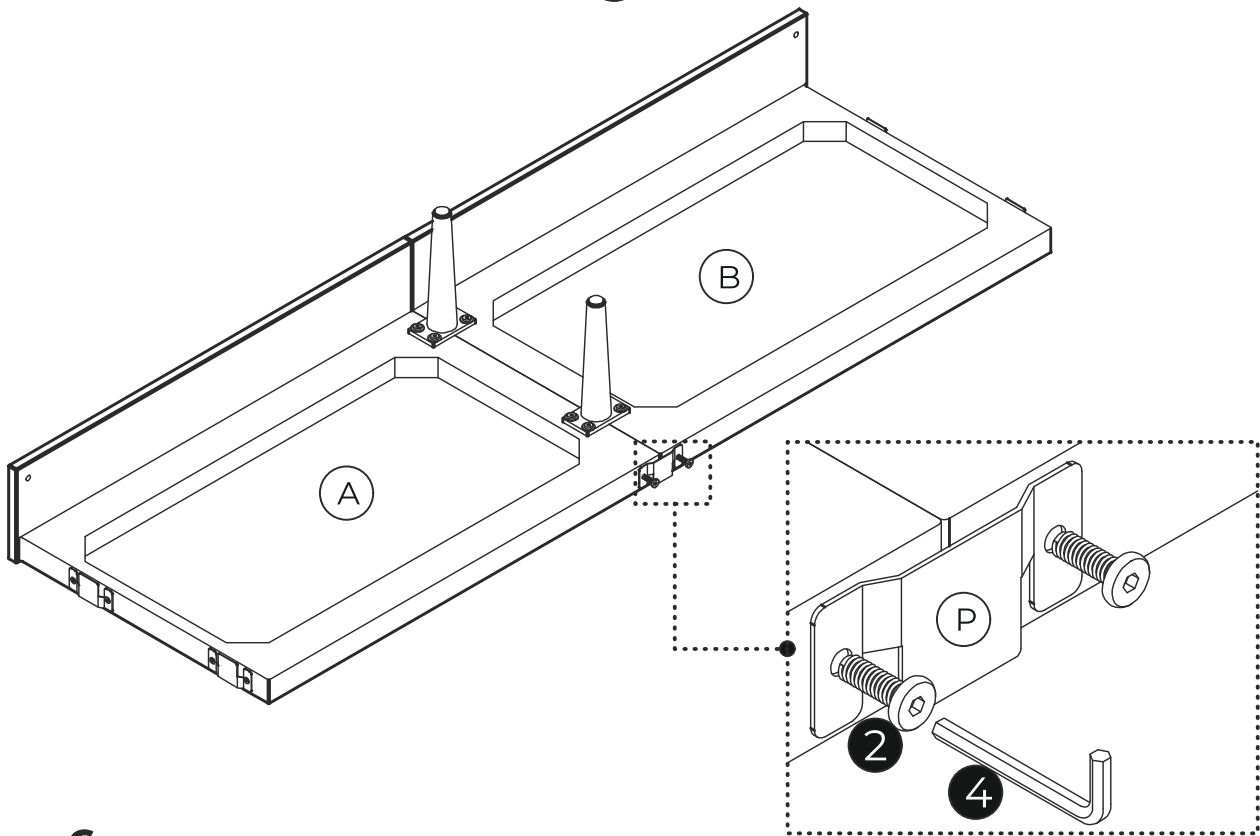
Step 4

Attach middle leg **N** x 2 to seat **A** & **B** with bolts **1** and flat washers **3**, as shown.



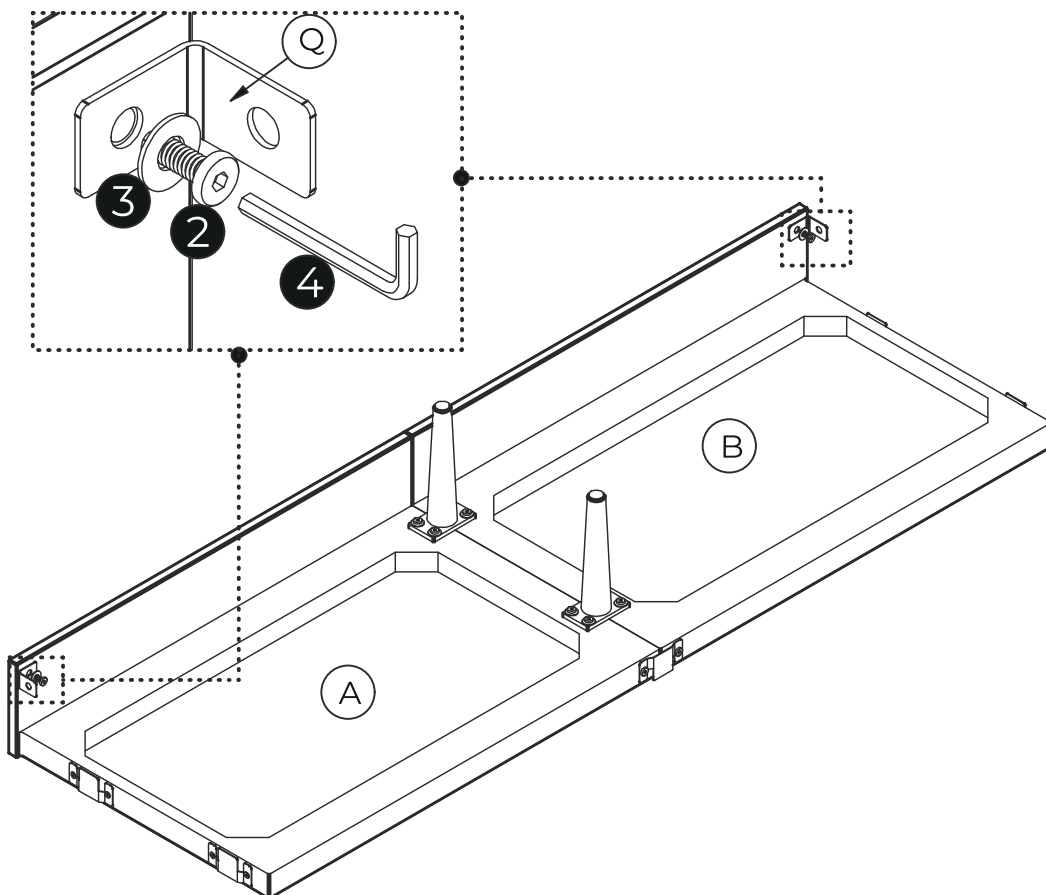
Step 5

Attach Plug-in **P** to seat **A** & **B** with bolt **2**, as shown.



Step 6

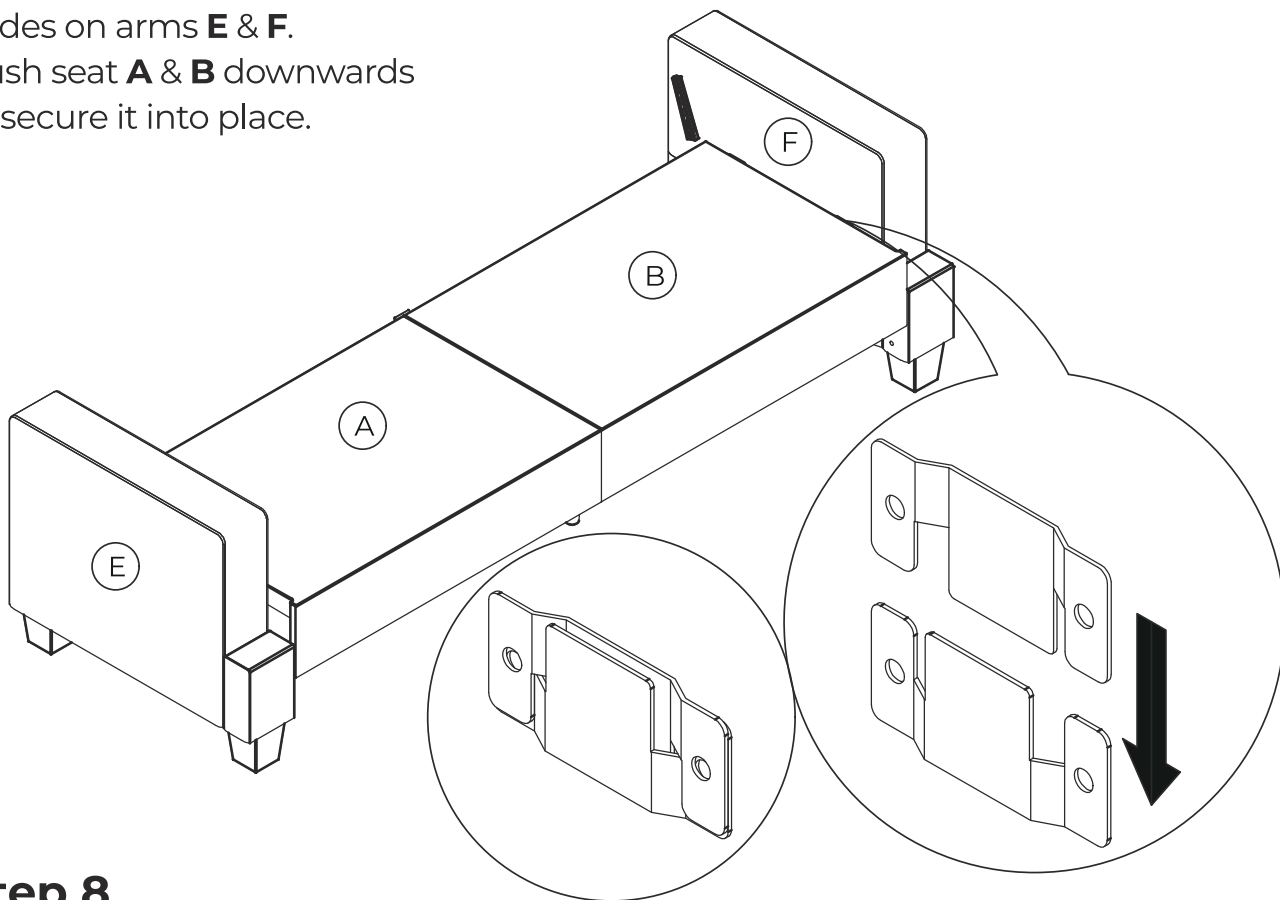
Attach Bracket **Q** x 2 to seat **A** & **B** with bolts **2** and flat washers **3**, as shown.



Step 7

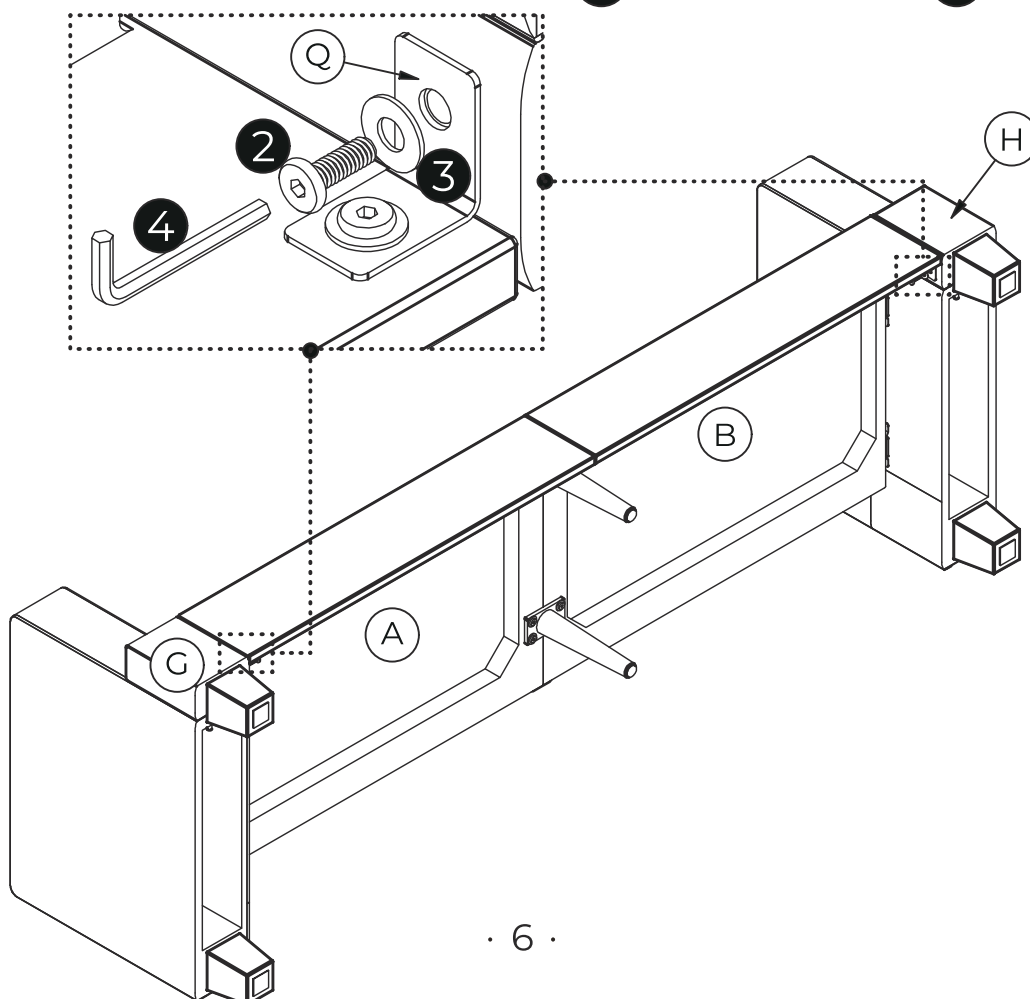
Attach seat **A & B** to arms **E & F** by inserting the brackets on seat **A & B** into the metal glides on arms **E & F**.

Push seat **A & B** downwards to secure it into place.



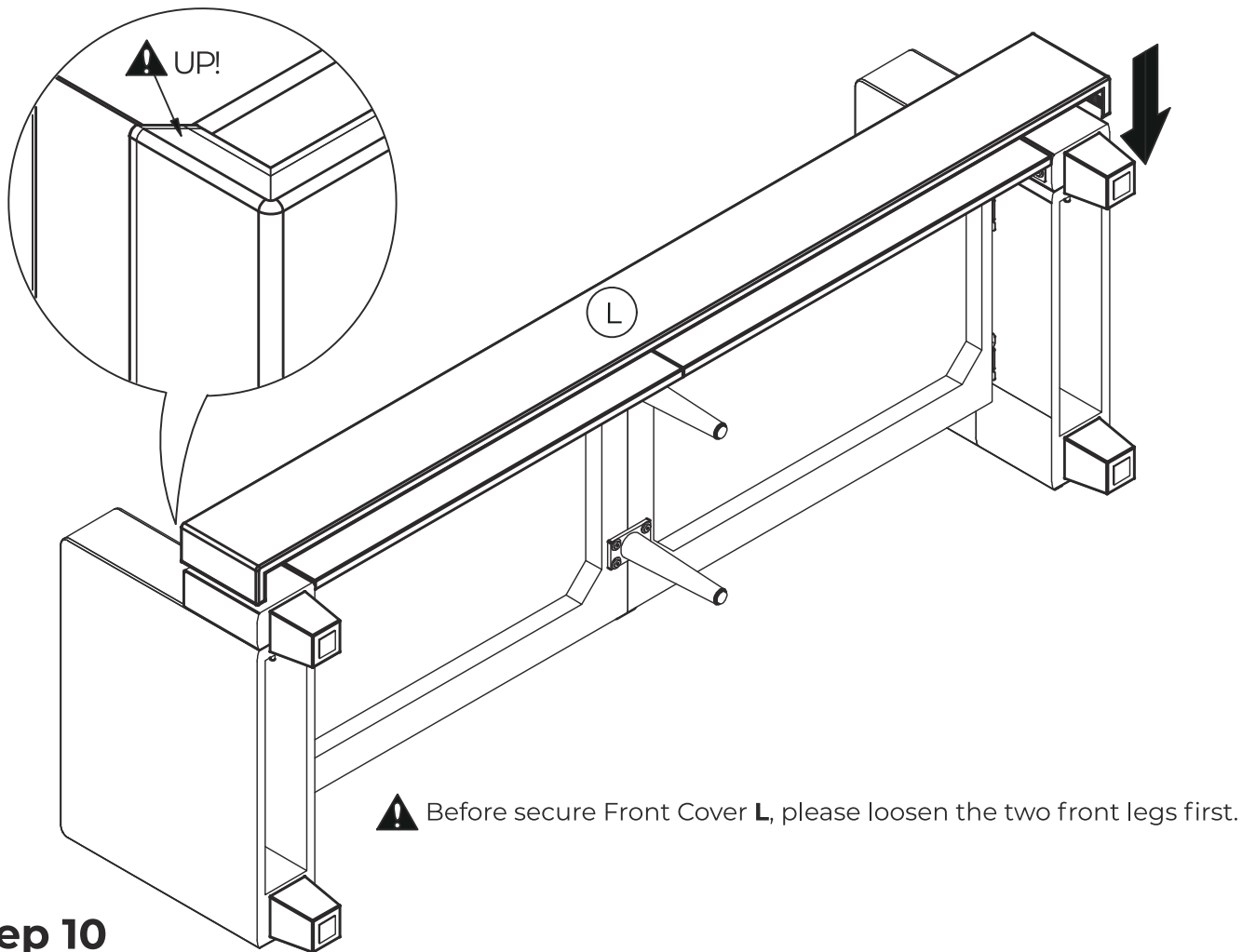
Step 8

Attach Bracket **Q** x 2 to arms **G & H** with bolts **2**, and flat washers **3**, as shown.



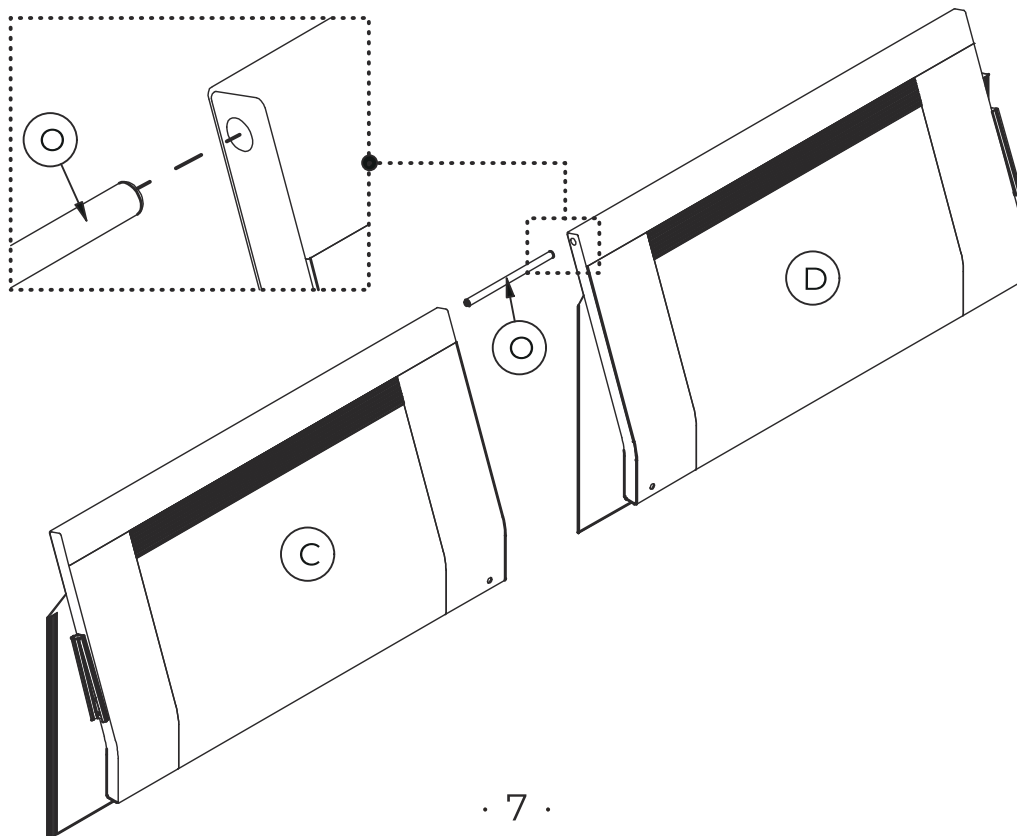
Step 9

Secure Front Cover **L** to front of the assembled sofa with the hook and loop fastener.



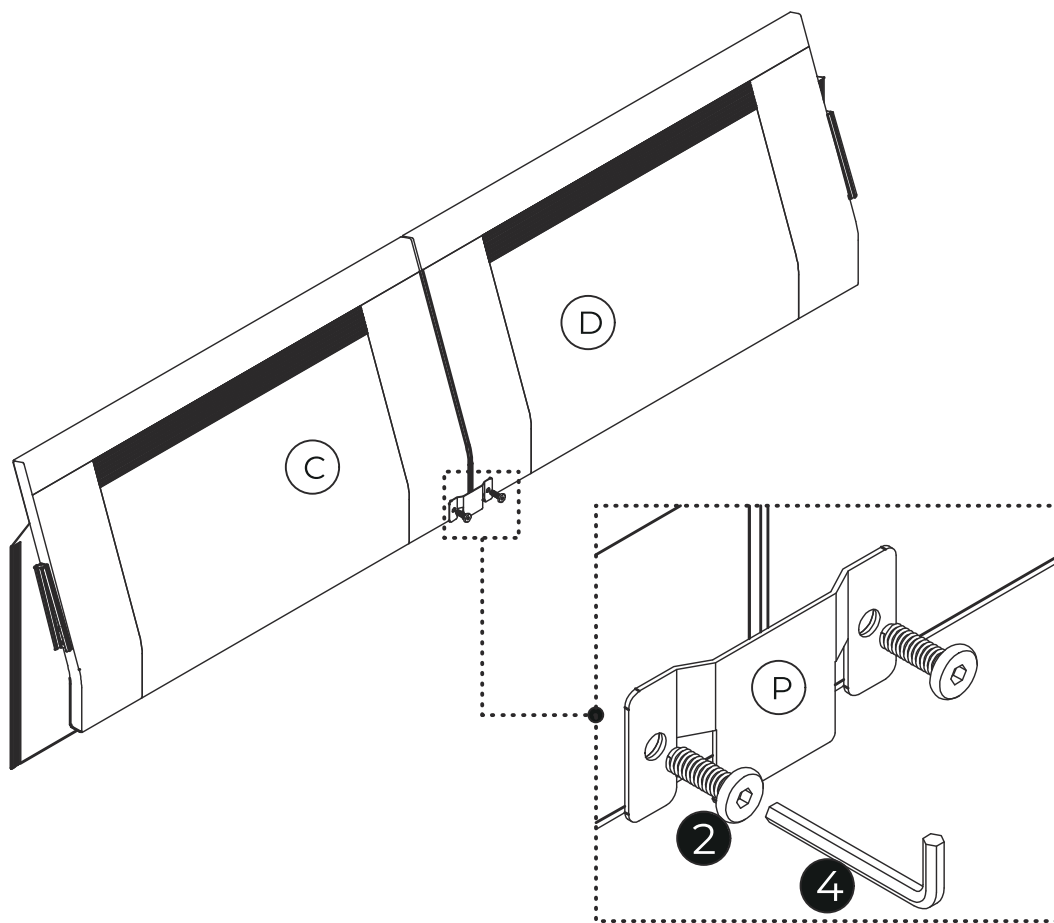
Step 10

Connect Backs **C** & **D** using Connector **O**, as shown.



Step 11

Attach Plug-in **P** to back **C** & **D** with bolt **2**, as shown.

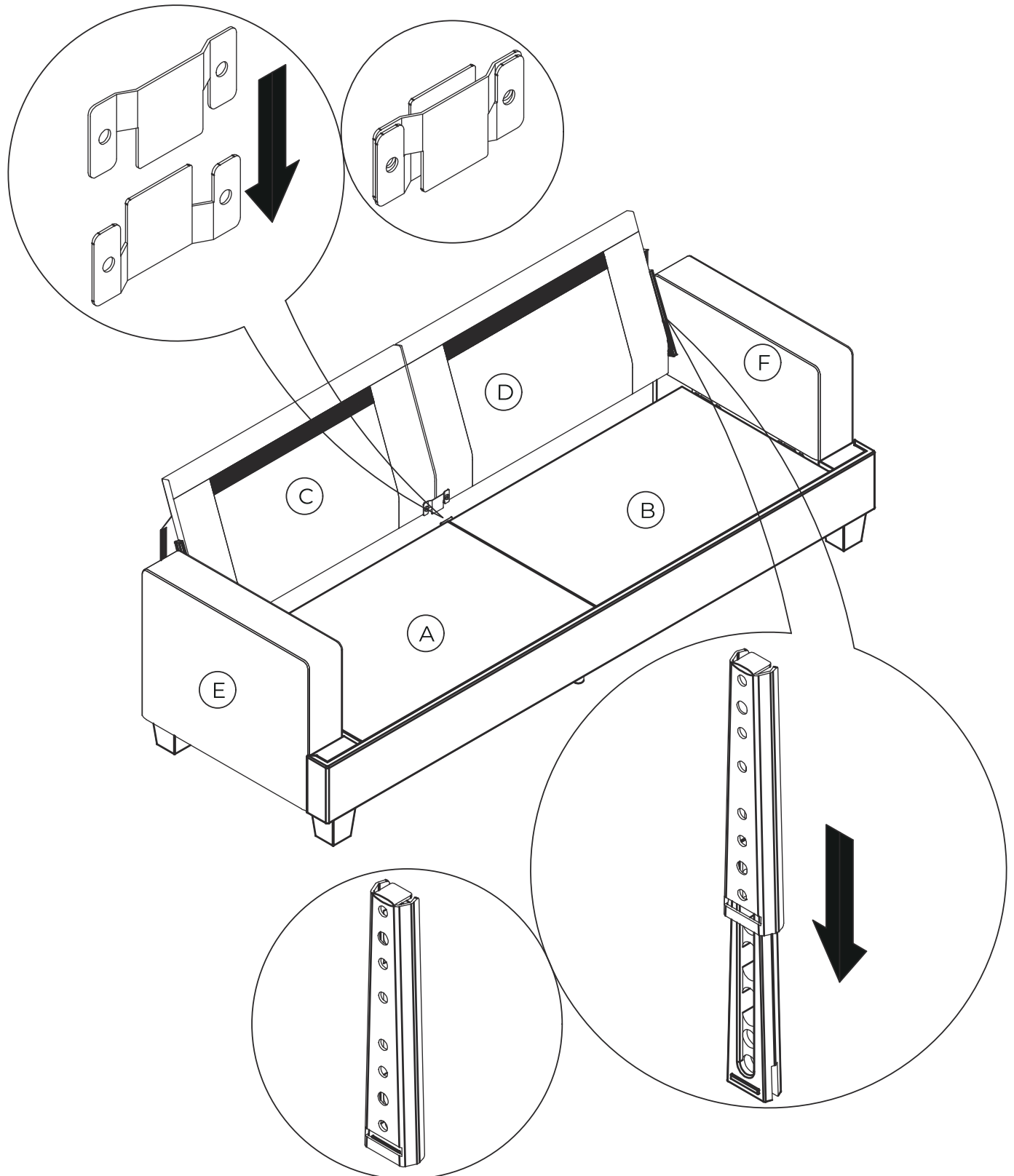


Step 12

Attach Backs **C** & **D** to Armrests **E** & **F** by inserting the brackets on Backs **C** & **D** to the metal glides on Armrests **E** & **F**.

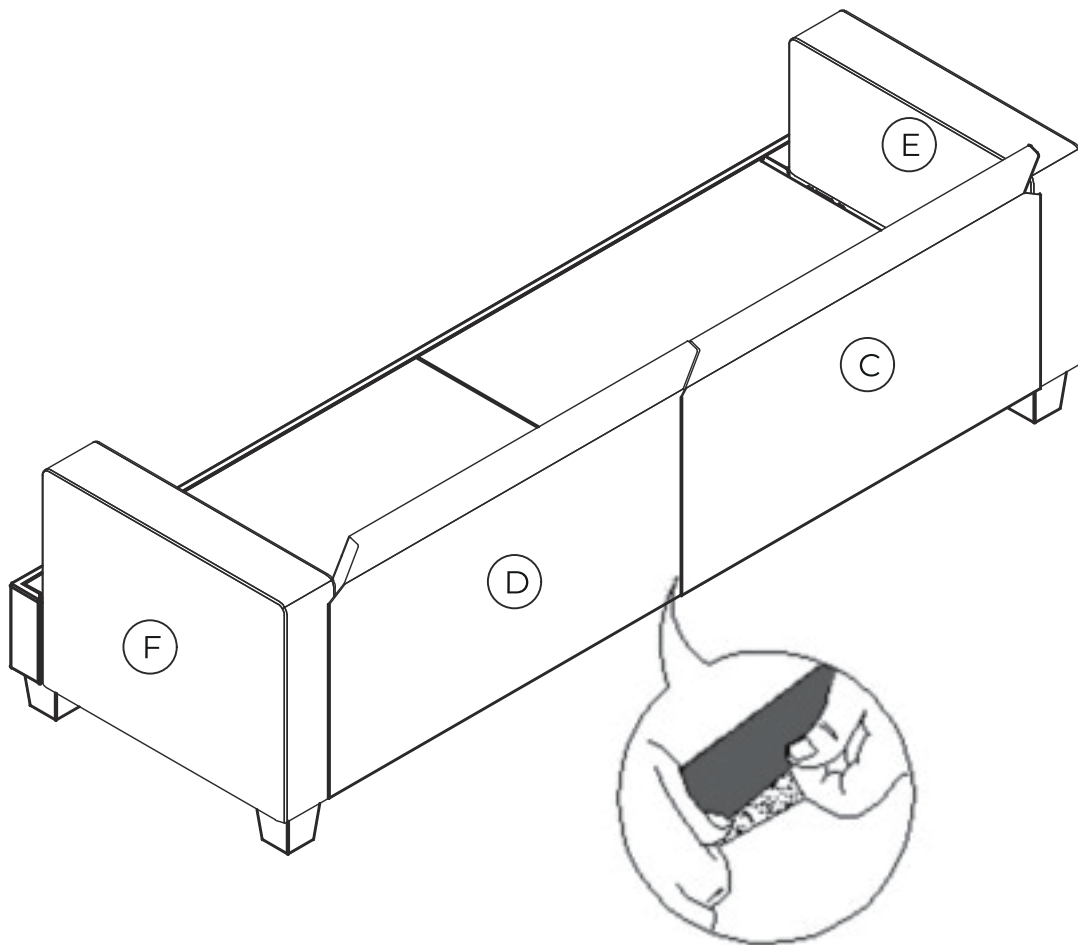
Attach Backs **C** & **D** to Double Seat **A** & **B** by inserting the Plug-in **P** on Backs **C** & **D** into the Plug-in **P** on Double Seat **A** & **B**.

Push Backs **C** & **D** downwards to secure it into place.



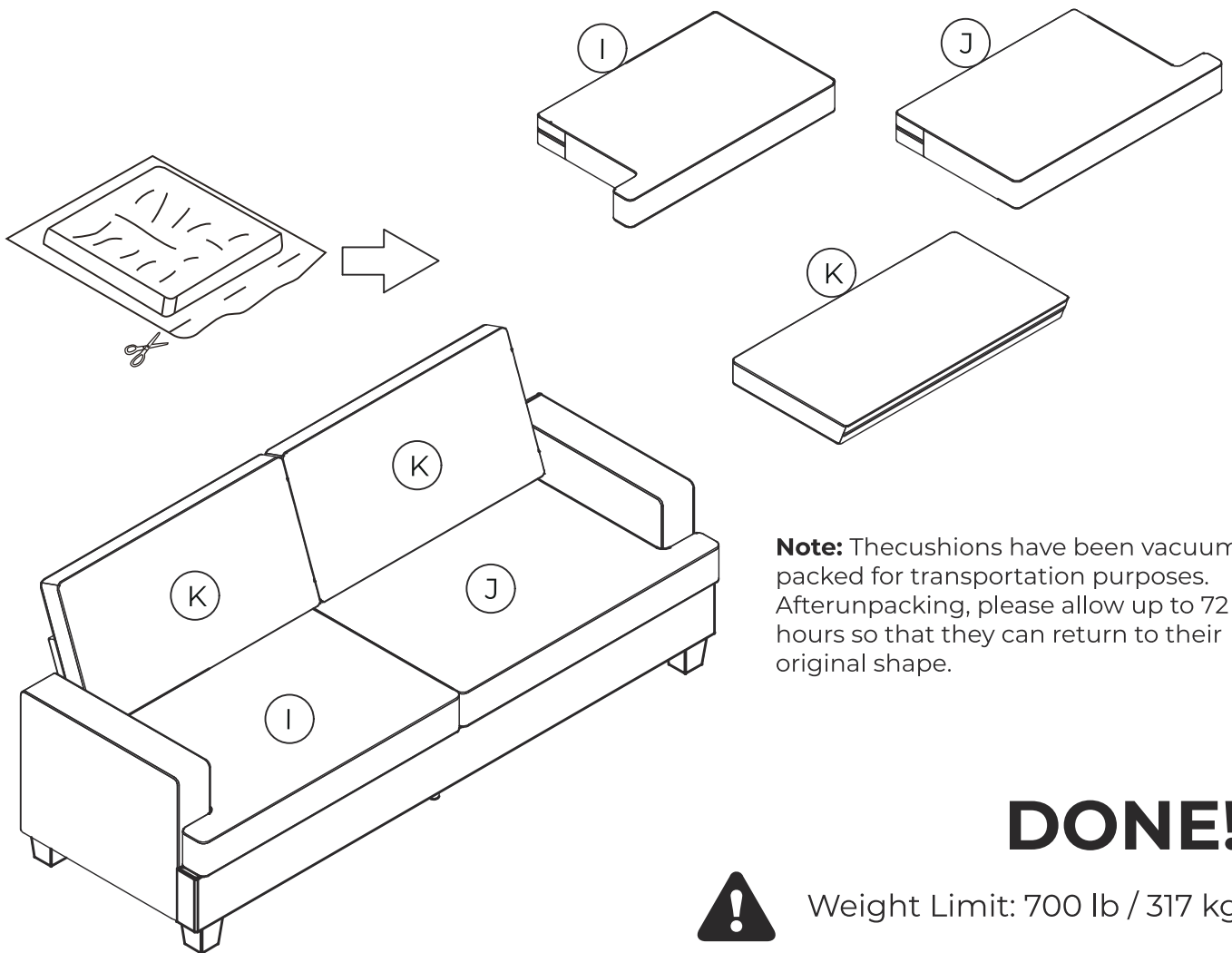
Step 13

Stick fabric cover on Backs **C** & **D** to Armrests **E** & **F** with the hook and loop fastener. Stick fabric cover on Left Back Frame **C** to Right Back Frame **D** with the hook and loop fastener, as shown.



Step 14

Remove the cushions from their vacuum sealed package.
Place Seat Cushions **I, J** & Back Cushions **K** x 2 onto the sofa.



Care Instructions

1. Some of the product's upholstery has been vacuum-compressed for transportation. They may take approximately 72 hours to regain their original shape.
2. When cleaning the product, use a soft cloth to gently clean it or use professional cleaning supplies. Do not use chemical agents or abrasive cleaners to wipe the product.
3. During use, do not exceed the maximum weight-bearing capacity of the product. Exceeding this limit may cause damage to the product or pose a risk of personal injury.
4. For safety reasons, do not leave infants alone on the product to prevent unnecessary harm such as suffocation.
5. If you need to move the product, do so with two or more individuals and carefully relocate it to a new area. Additionally, this product can be disassembled and reassembled if needed.