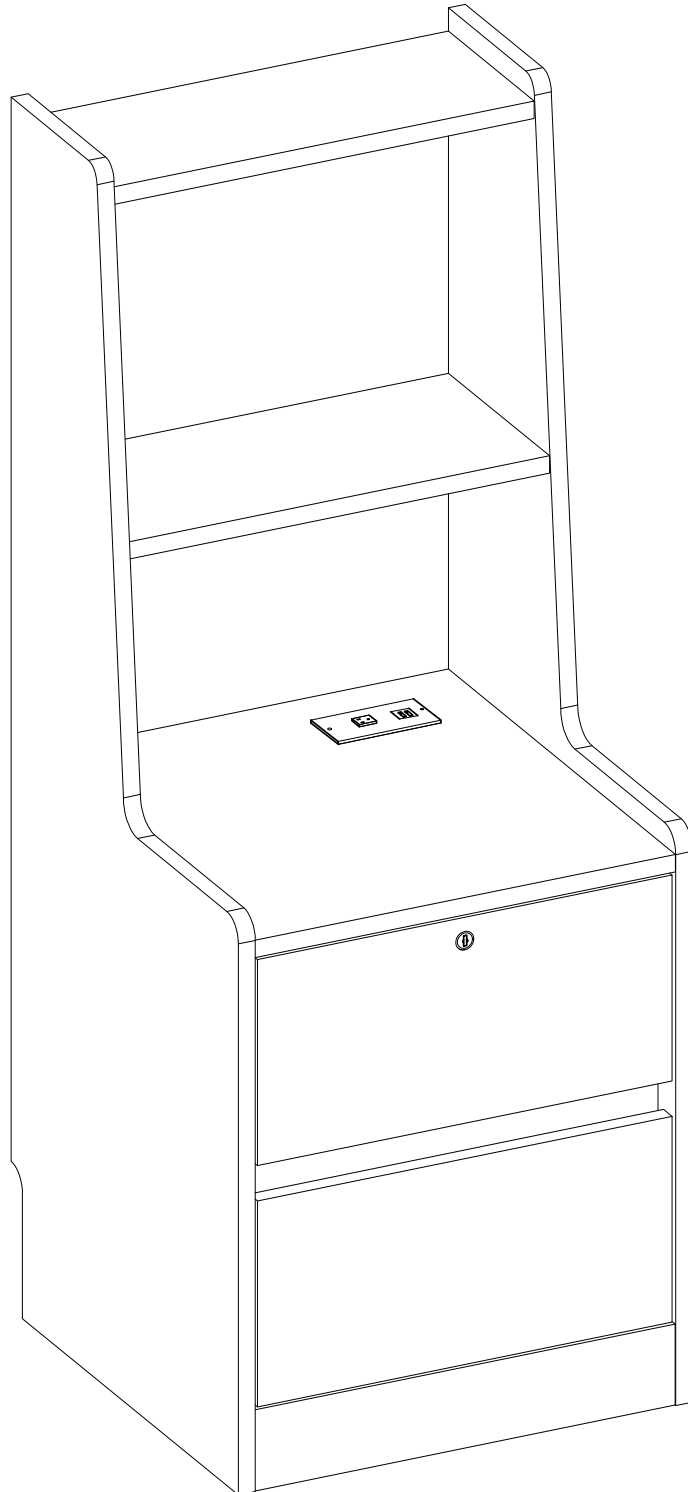
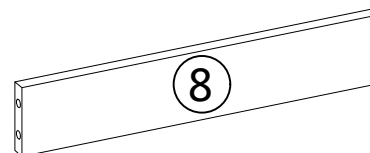
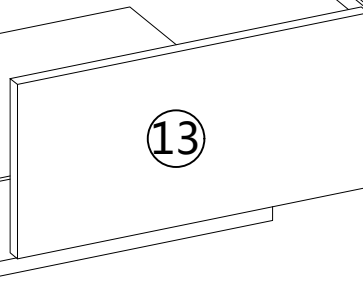
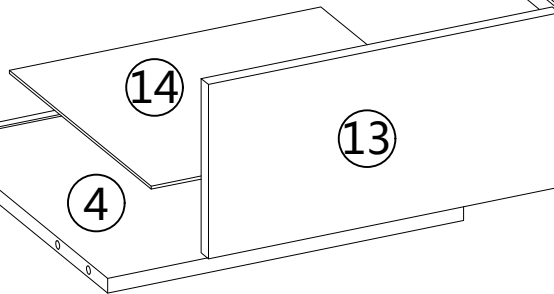
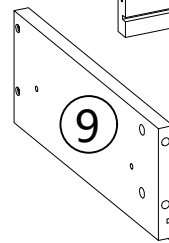
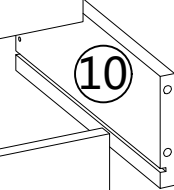
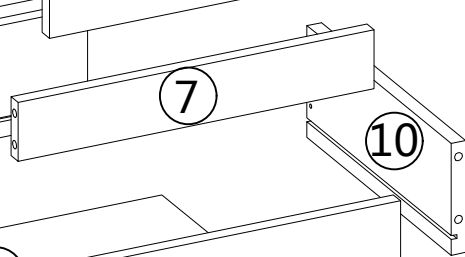
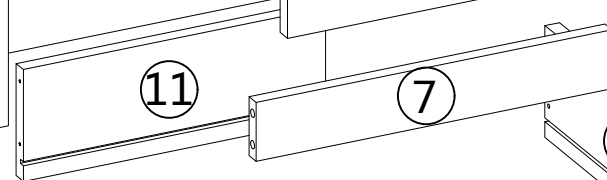
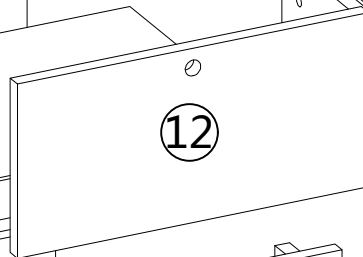
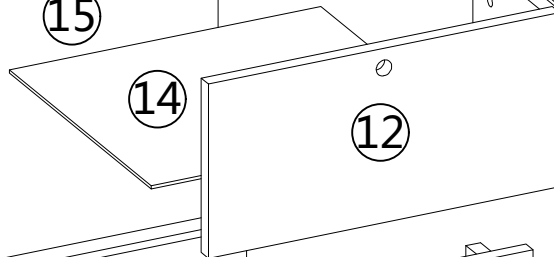
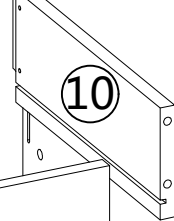
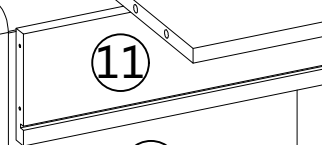
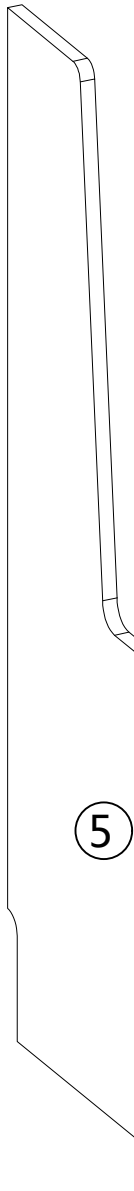
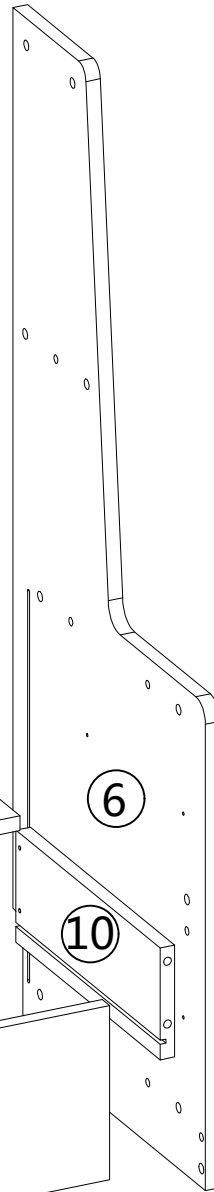
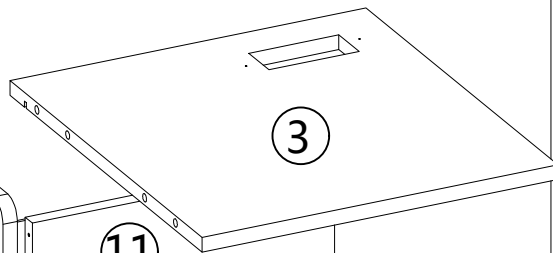
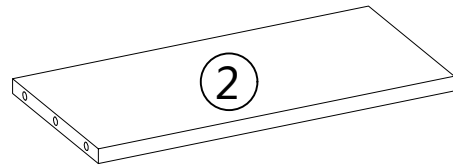
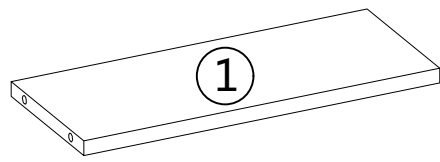
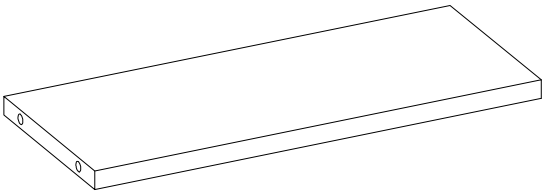


# Installation & Assembly





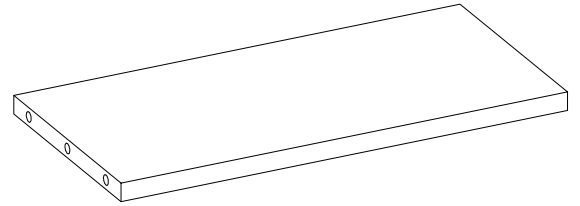
1



370\*151\*15mm

1 PC

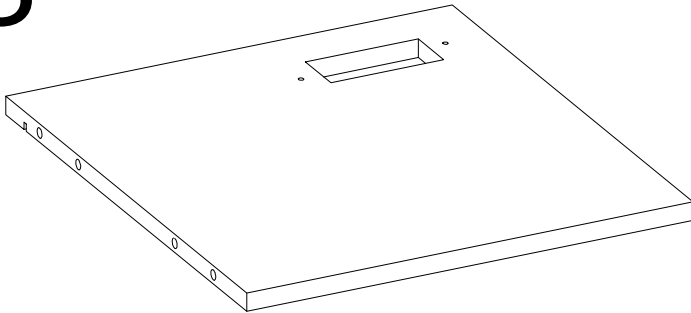
2



370\*178\*15mm

1 PC

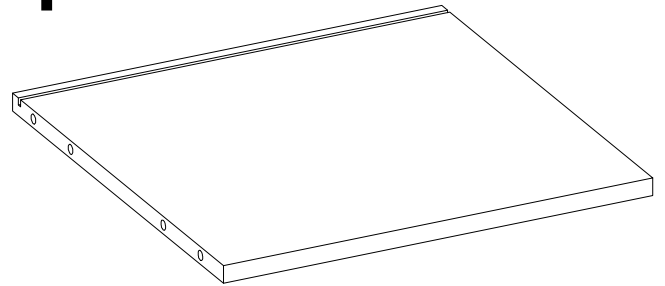
3



370\*399.5\*15mm

1 PC

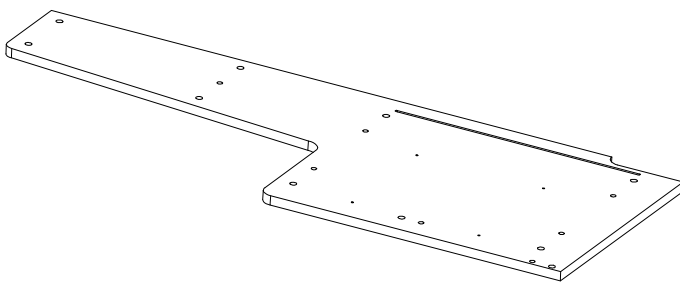
4



370\*364\*15mm

1 PC

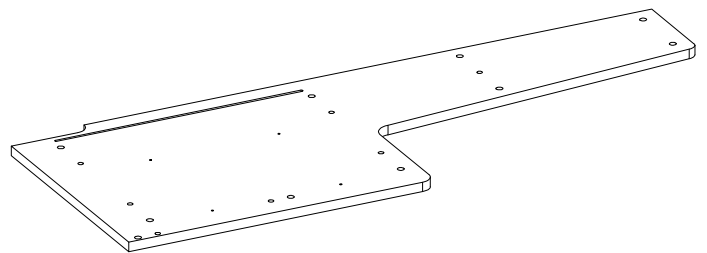
5



1045\*400\*15mm

1 PC

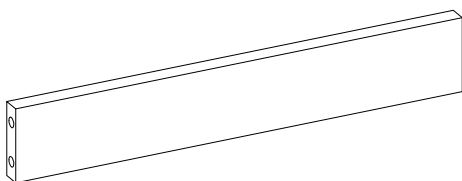
6



1045\*400\*15mm

1 PC

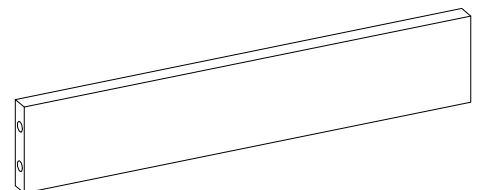
7



370\*60\*15mm

1 PC

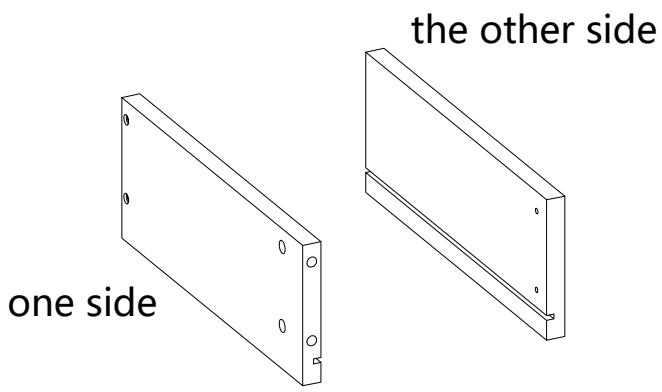
8



370\*70\*15mm

1 PC

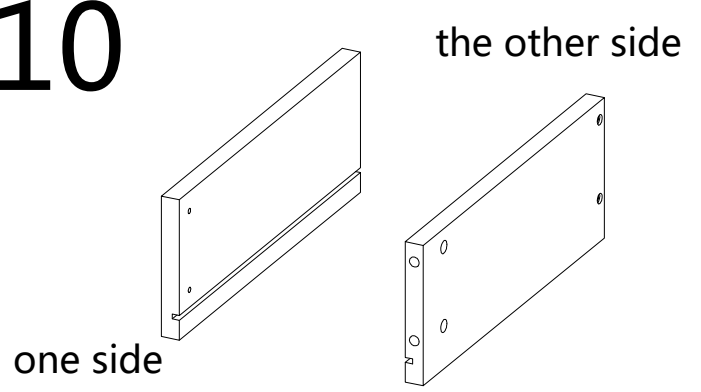
# 9



300\*114\*15mm

2 PCS

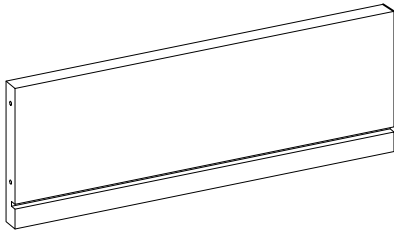
# 10



300\*114\*15mm

2 PCS

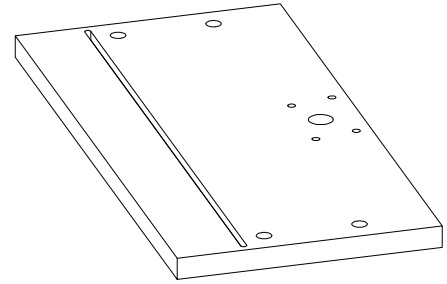
# 11



314\*114\*15mm

2 PCS

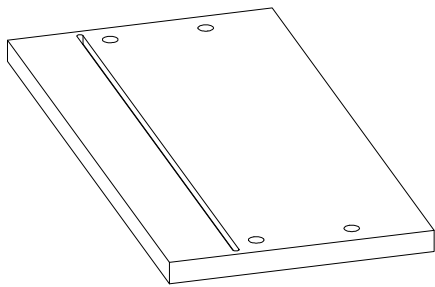
# 12



177.5\*365\*15mm

1 PC

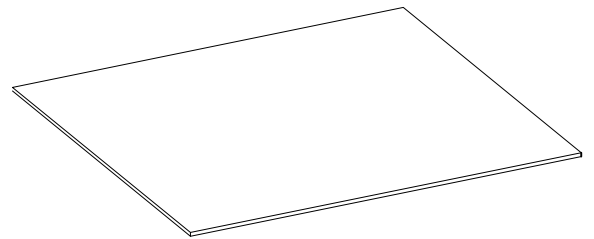
# 13



177.5\*365\*15mm

1 PC

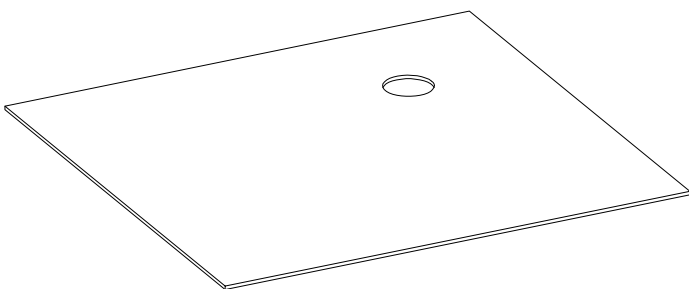
# 14



295\*324\*3mm

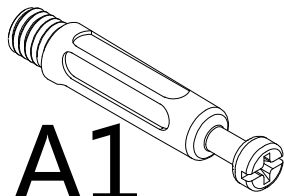
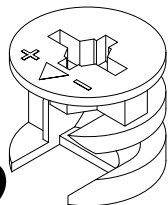
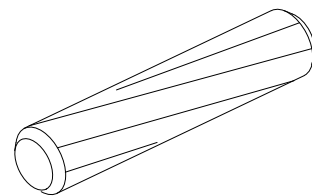
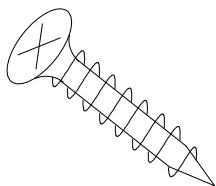
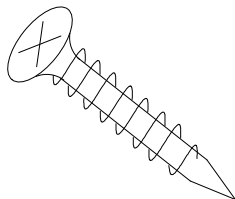
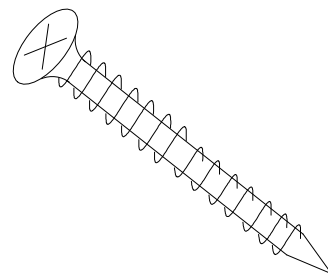
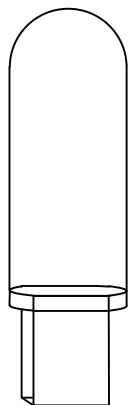
2 PCS

# 15

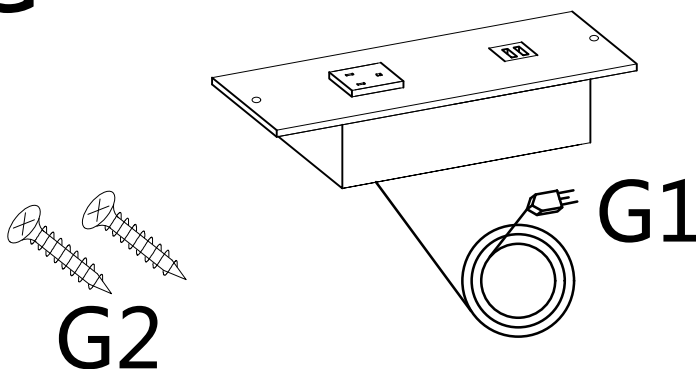


400.5\*380\*3mm

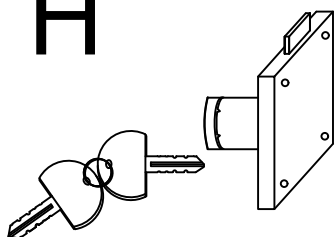
1 PC

**A****A1**
 $\phi 7 \times 40 \text{mm}$ 
**A2**
 $\phi 15 \times 11 \text{mm}$  28PCS
**B**
 $\phi 8 \times 30 \text{mm}$  14PCS
**C**
 $M3.5 \times 14 \text{mm}$  22PCS
**D**
 $M3.5 \times 16 \text{mm}$  4PCS
**E**
 $M3.5 \times 35 \text{mm}$  8PCS
**F**

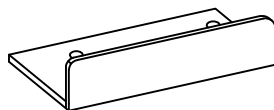
1PC

**G**

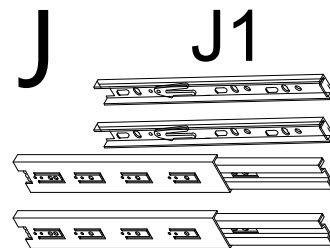
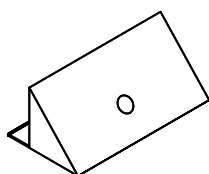
1PC

**H**

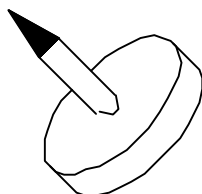
1PC

**I**

1PC

**J**
 $L=300 \text{mm}$  2PCS
**K**

4PCS

**L**

6PCS

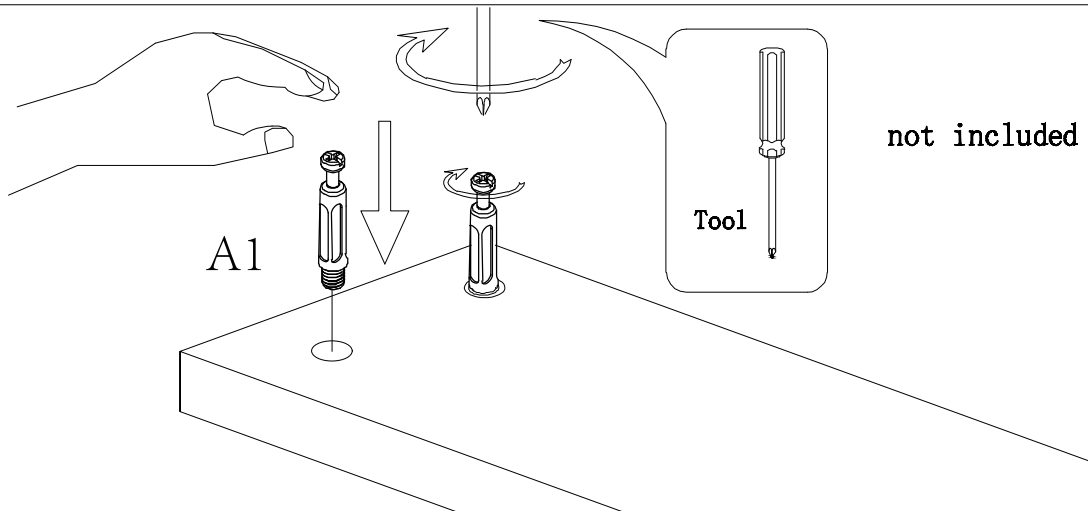
**M**
 $\phi 21 \text{mm}$  28PCS

# Hardware installation demonstration

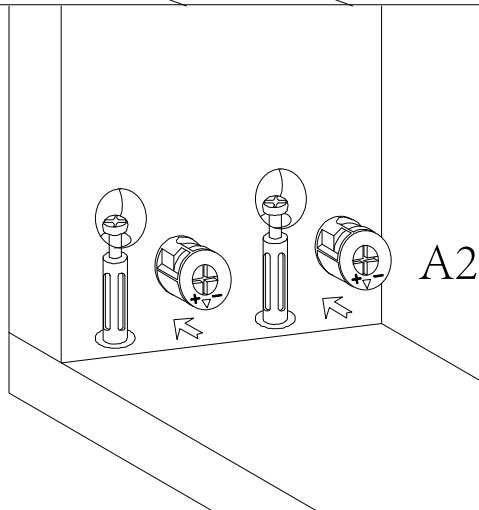


NOTE: Please make sure "A1" hardware tightened and can't be pulled out!

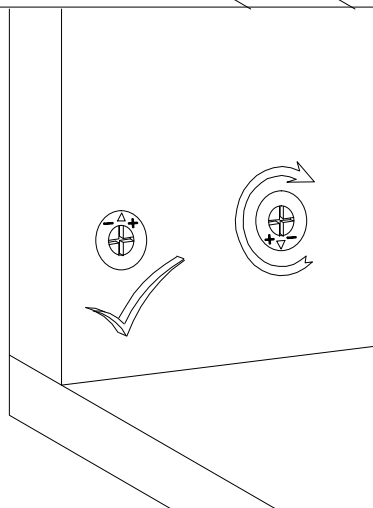
I



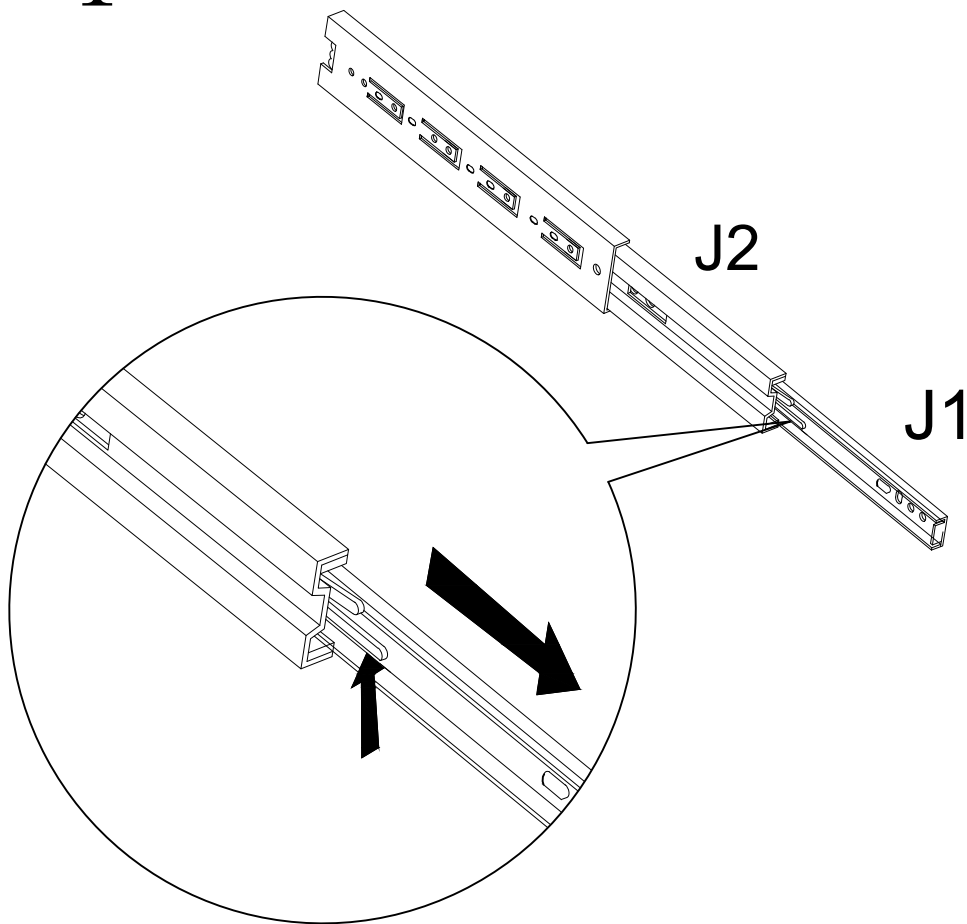
II



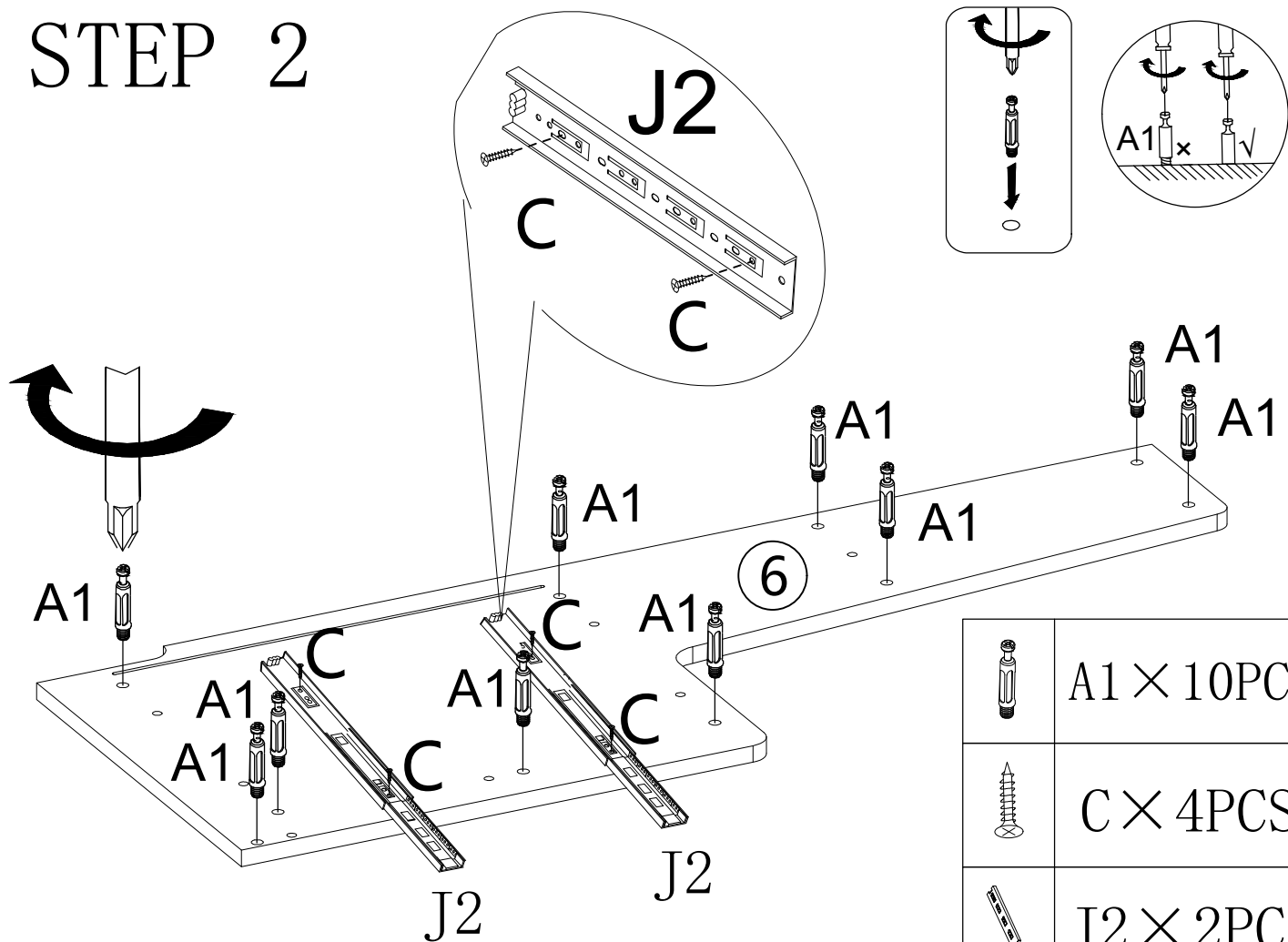
III



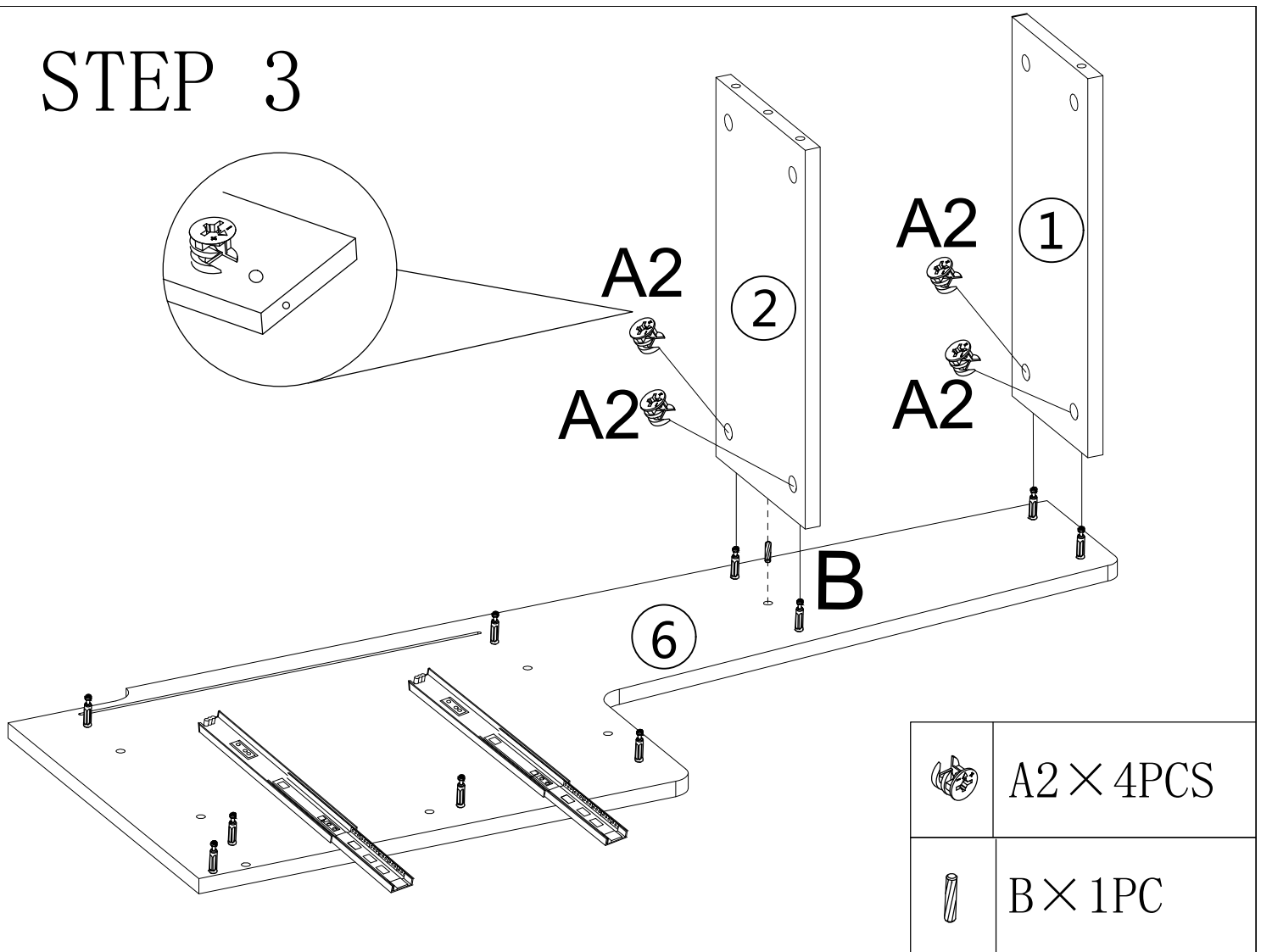
# STEP 1



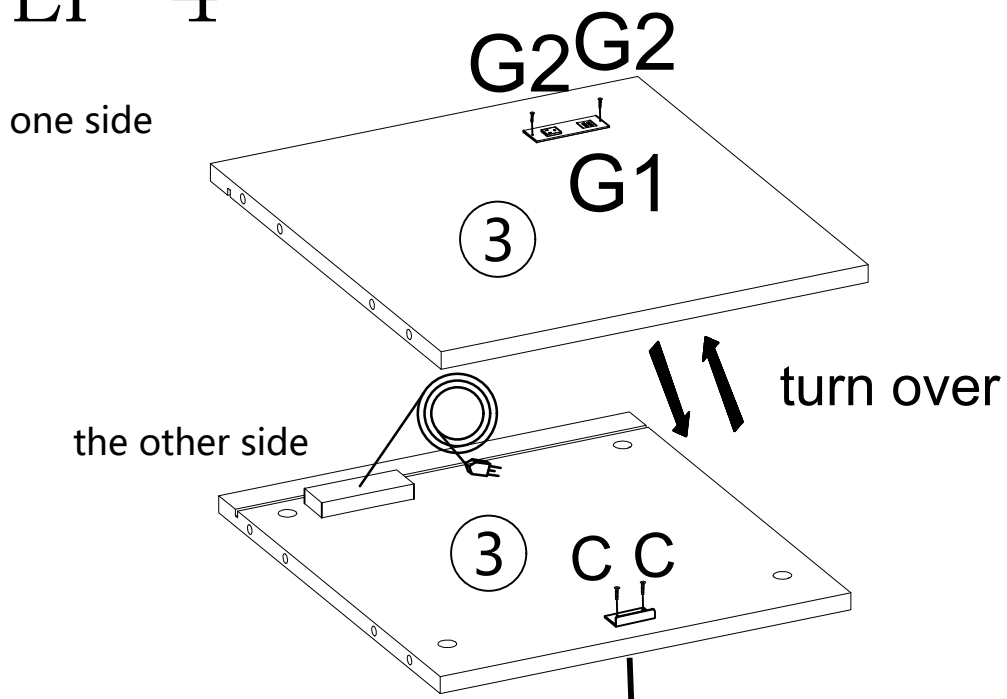
# STEP 2







# STEP 3

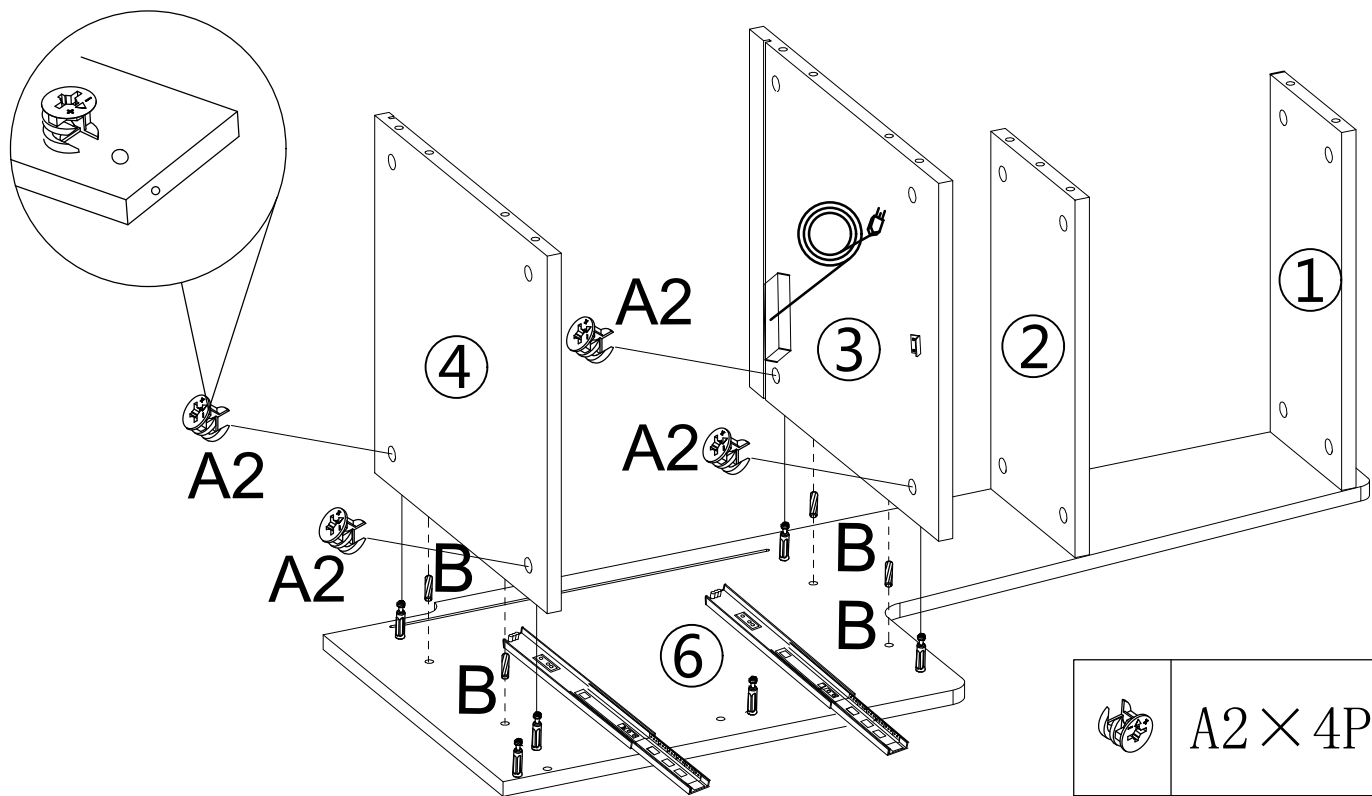




# STEP 4



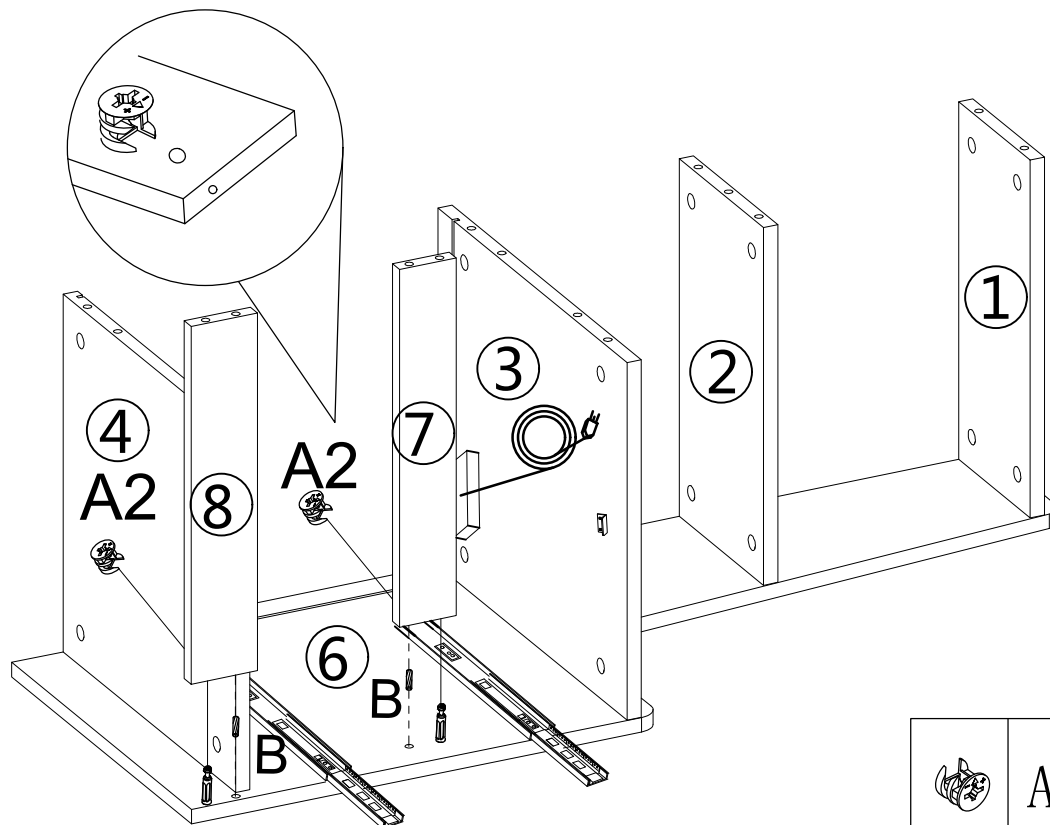
	C × 2PCS		I × 1PC
	G1 × 1PC		G2 × 2PCS



# STEP 5



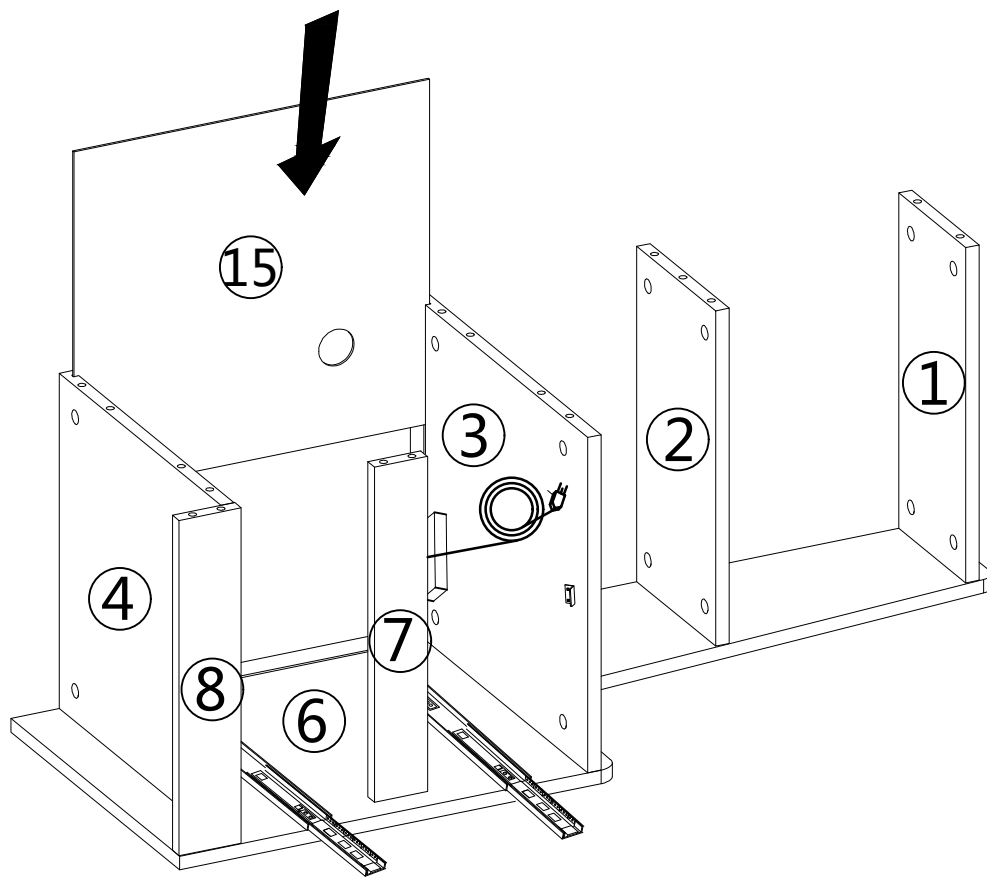
	A2 × 4PCS
	B × 4PCS

# STEP 6

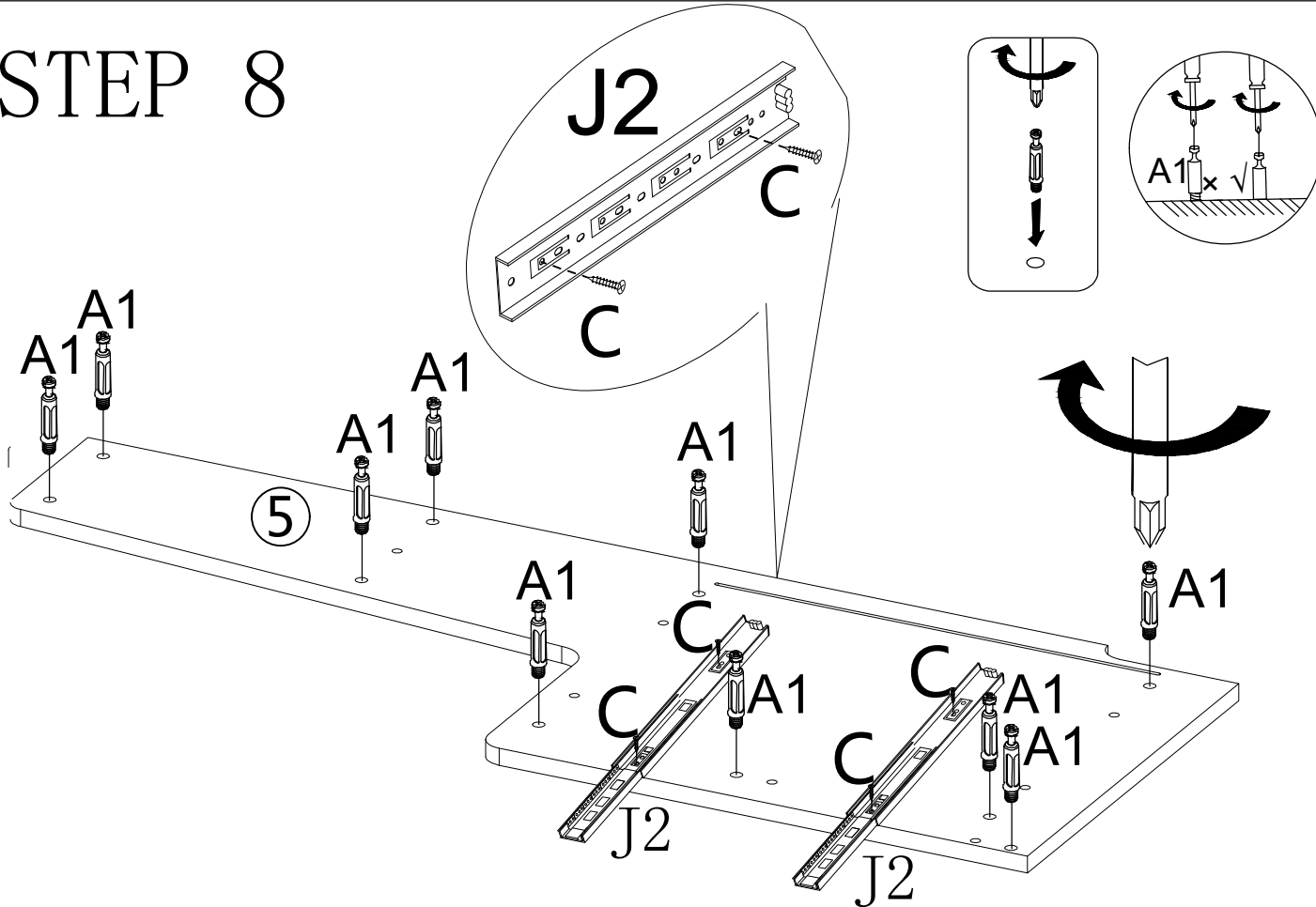





	A2 × 2PCS
	B × 2PCS

# STEP 7

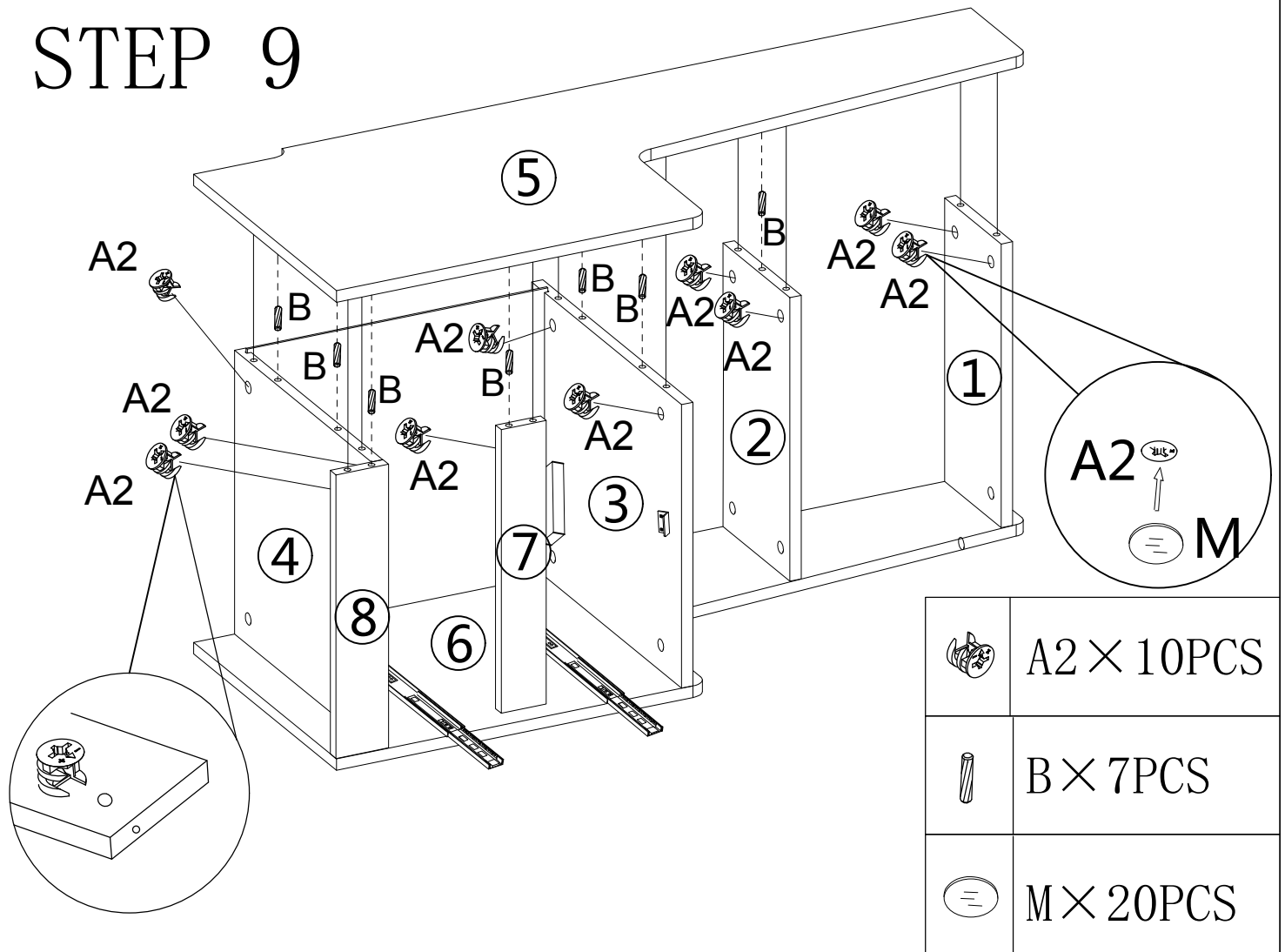


# STEP 8

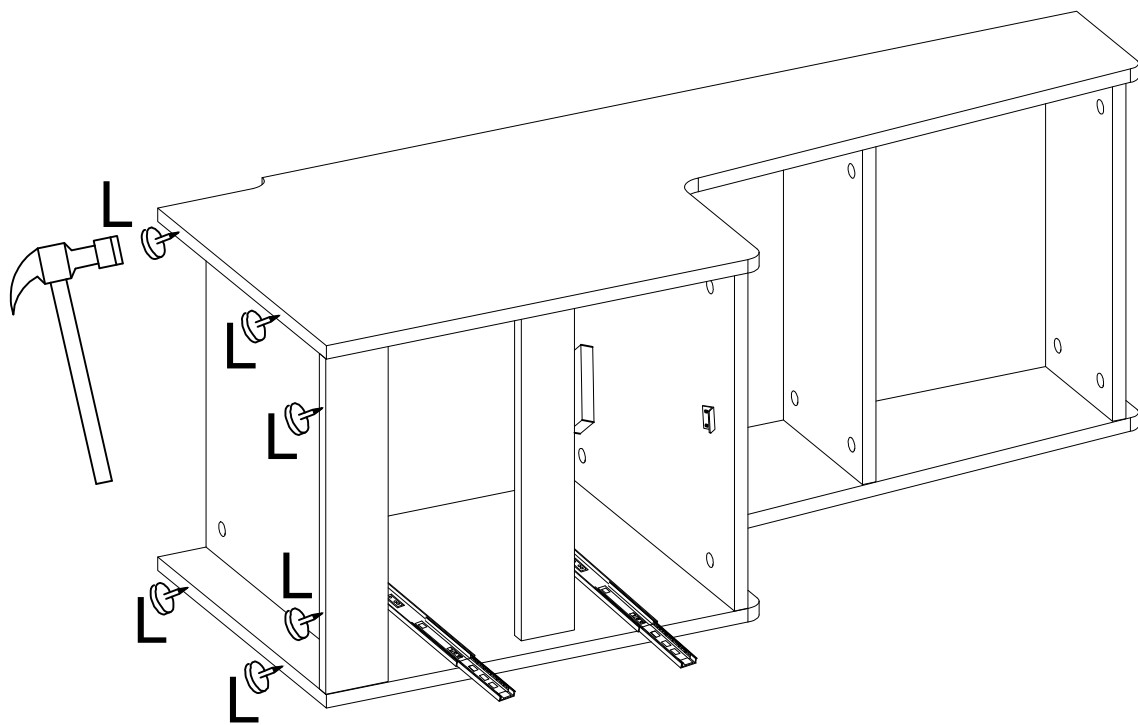



	A1 × 10PCS		C × 4PCS		J2 × 2PCS
---	------------	---	----------	---	-----------

# STEP 9



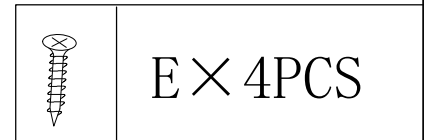
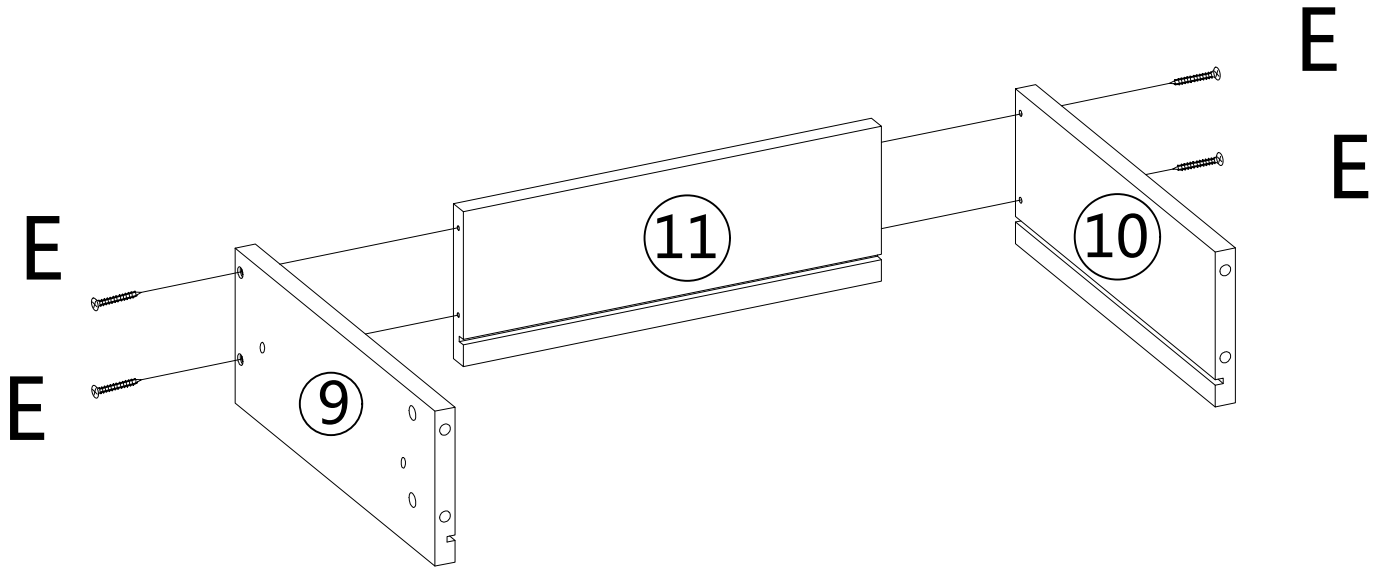
# STEP 10



	L × 6PCS
---	----------

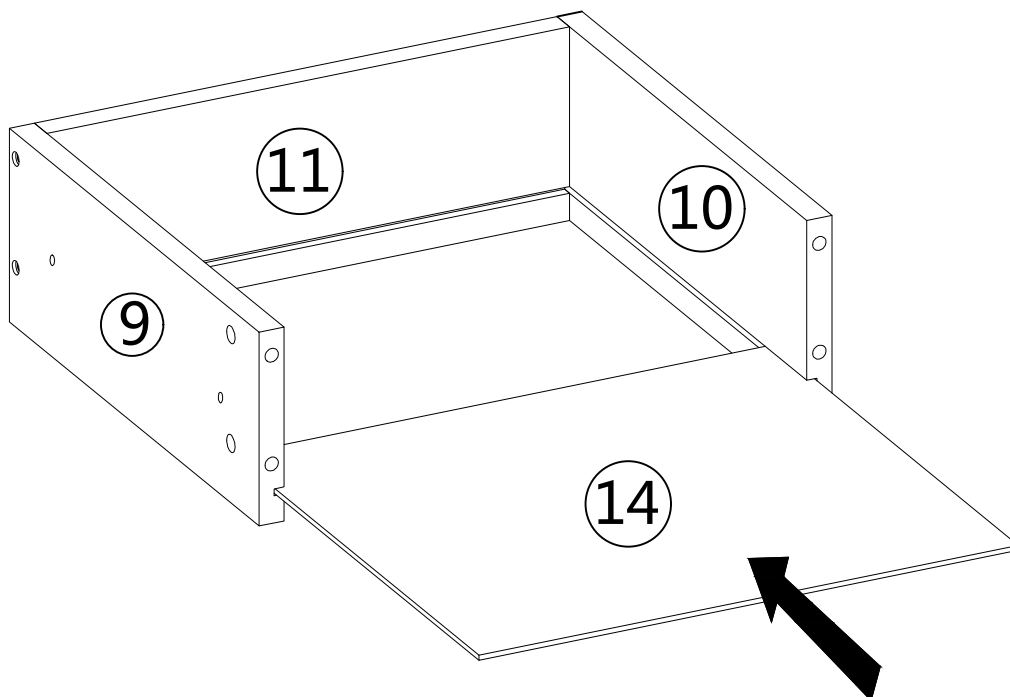
STEP 11

X2

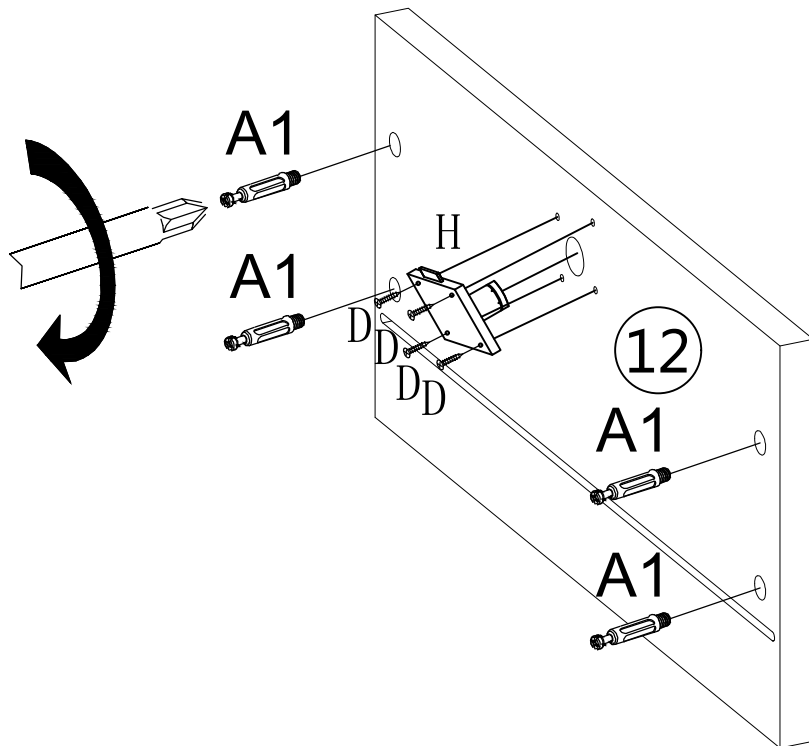




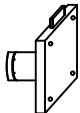
STEP 12

X2

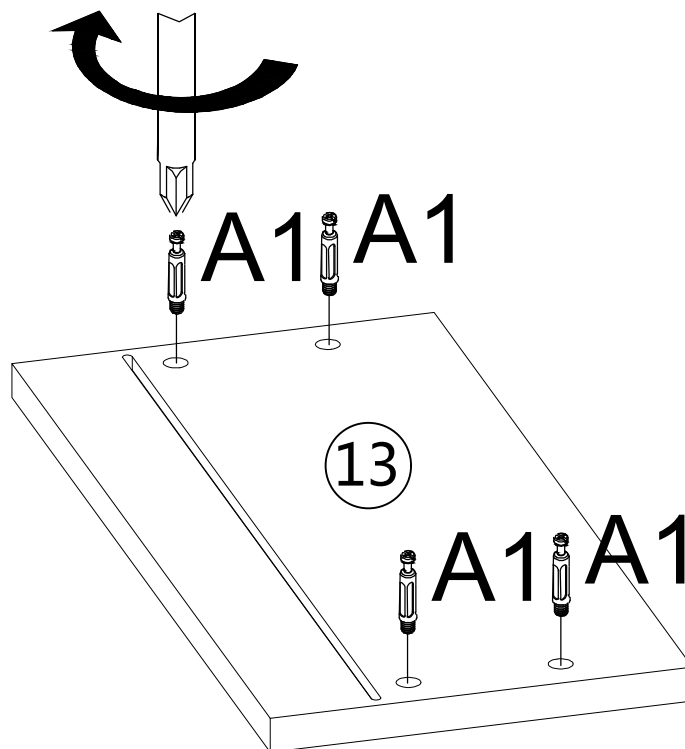



# STEP 13



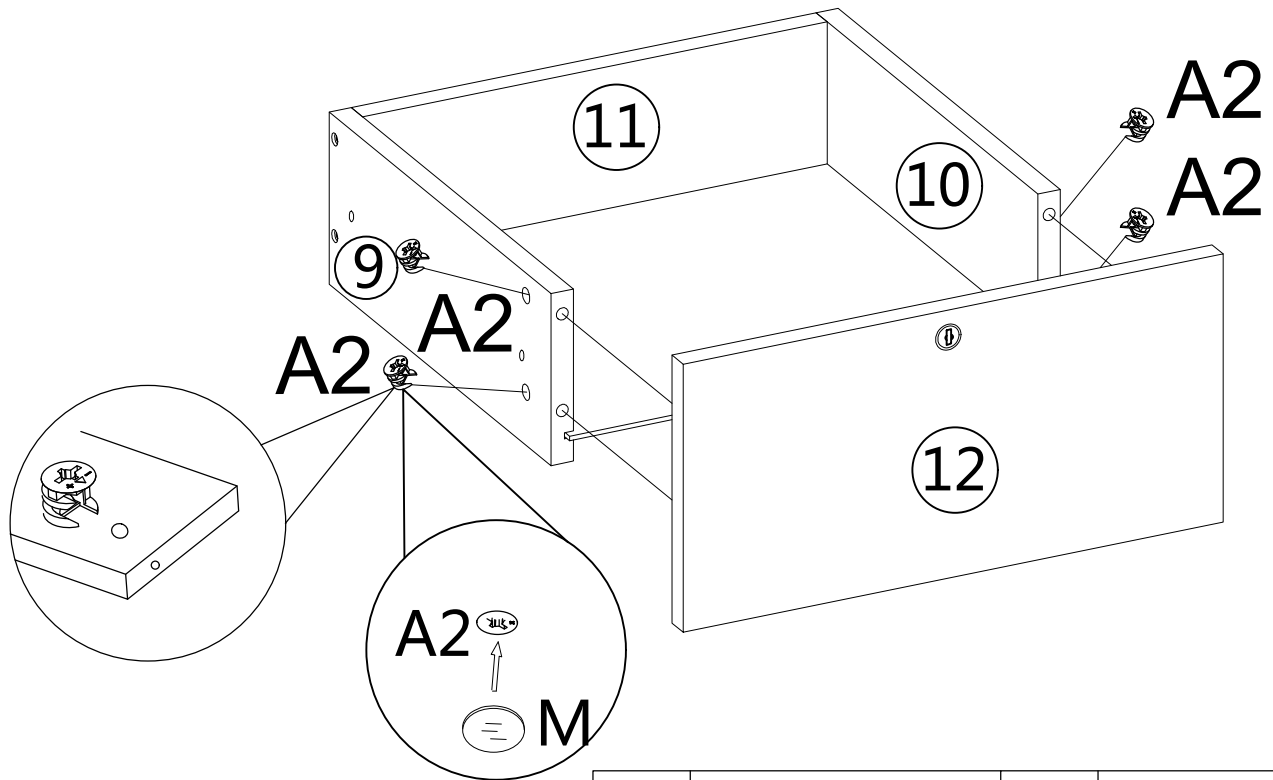
	A1 × 4PCS		D × 4PCS		H × 1PC
---	-----------	---	----------	--	---------



# STEP 14



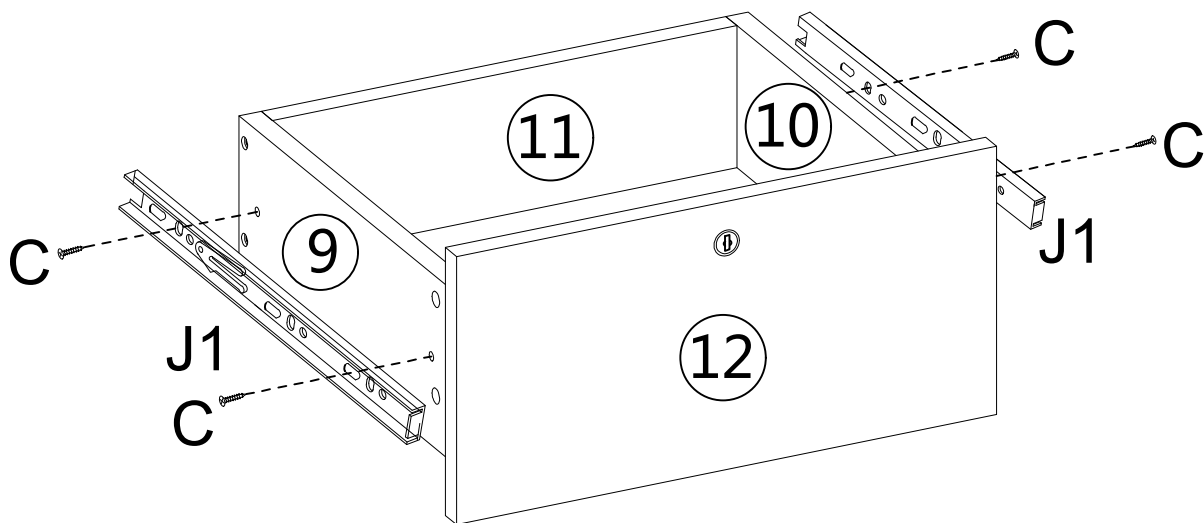
	A1 × 4PCS
---	-----------



# STEP 15



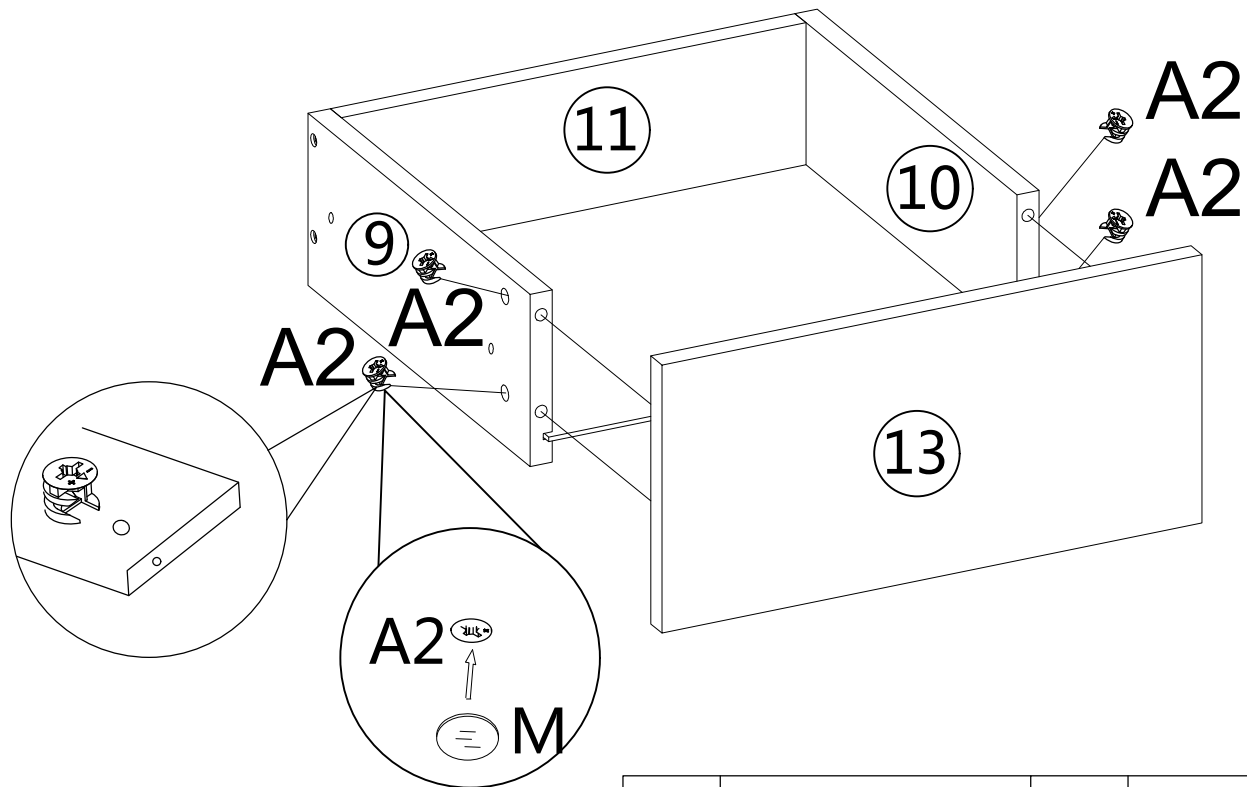
	A2 × 4PCS		M × 4PCS
---	-----------	---	----------



# STEP 16



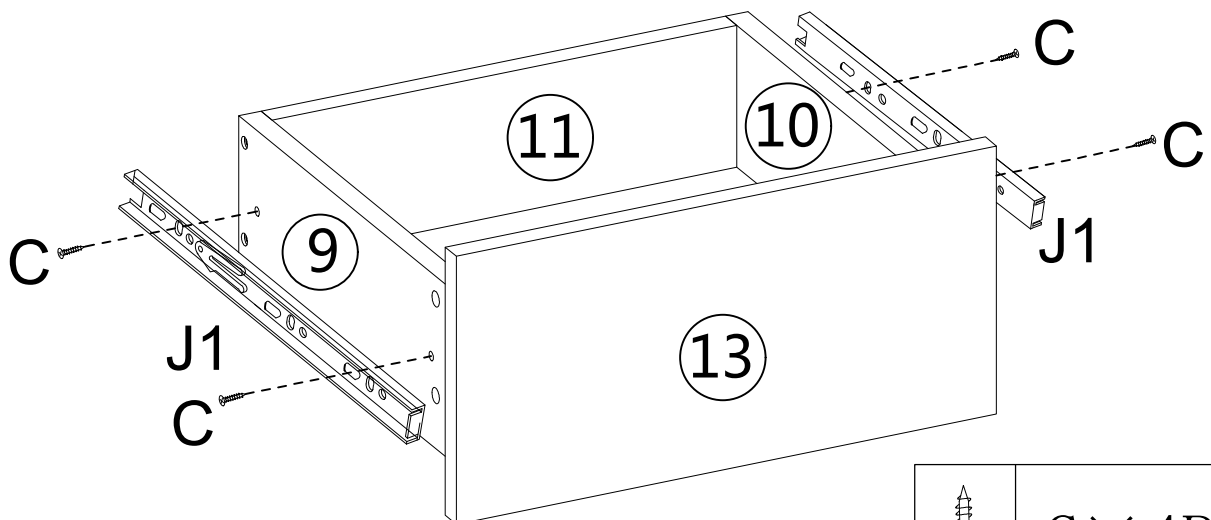
	C × 4PCS
	J1 × 2PCS



# STEP 17



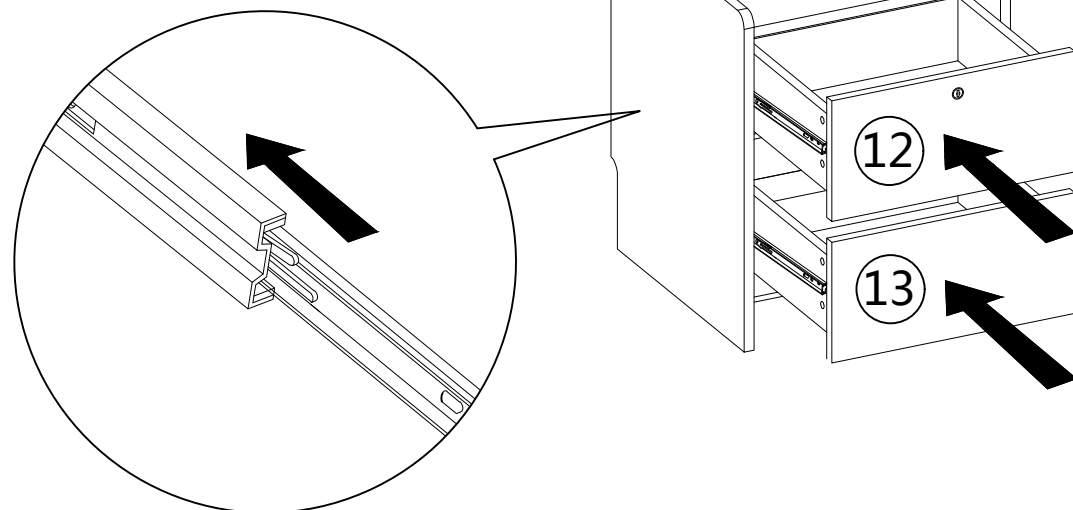
	A2 × 4PCS		M × 4PCS
---	-----------	---	----------

# STEP 18

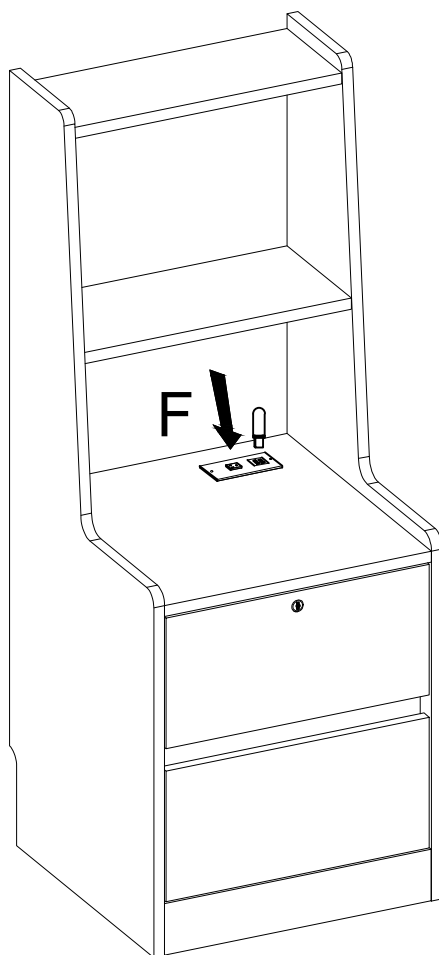


	C × 4PCS
	J1 × 2PCS

# STEP 19

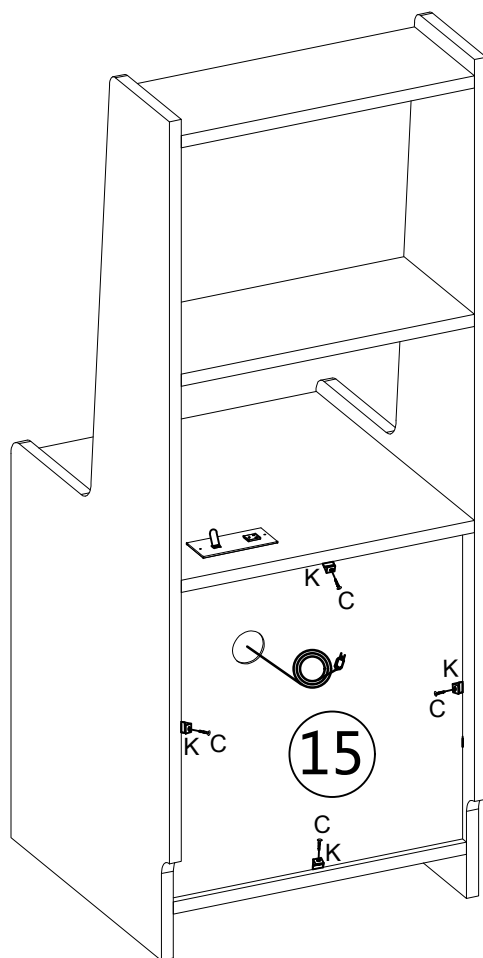




# STEP 20



F × 1PC

# STEP 21



	C × 4PCS
	K × 4PCS

# END

