



Outdoor Hot Tub

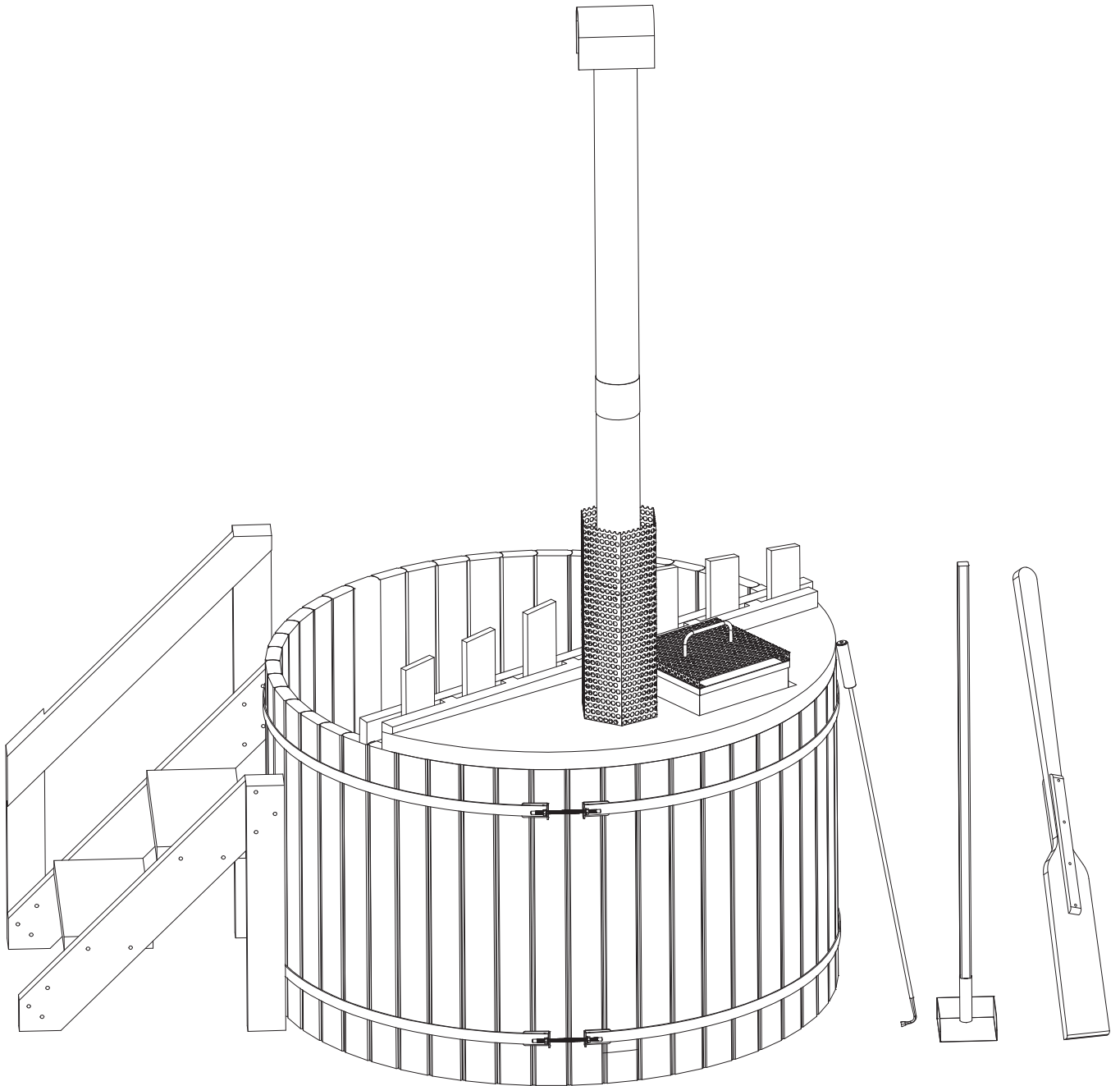
(with built-in type wood combustion hot stove)

Read through the manual before proceeding to installation.

BACK COUNTRY

HOT TUBS & SAUNAS

Outdoor Hottub User Manual

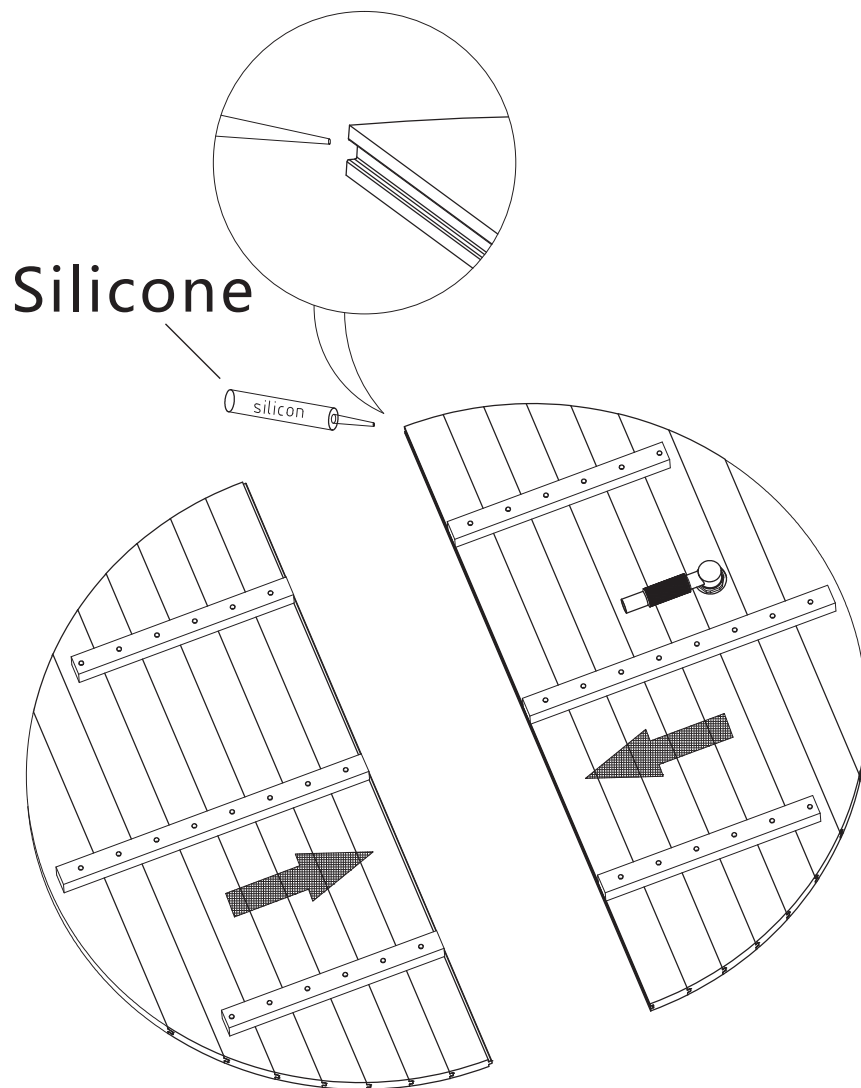


BACK COUNTRY

HOT TUBS & SAUNAS

Outdoor Hottub User Manual

1.



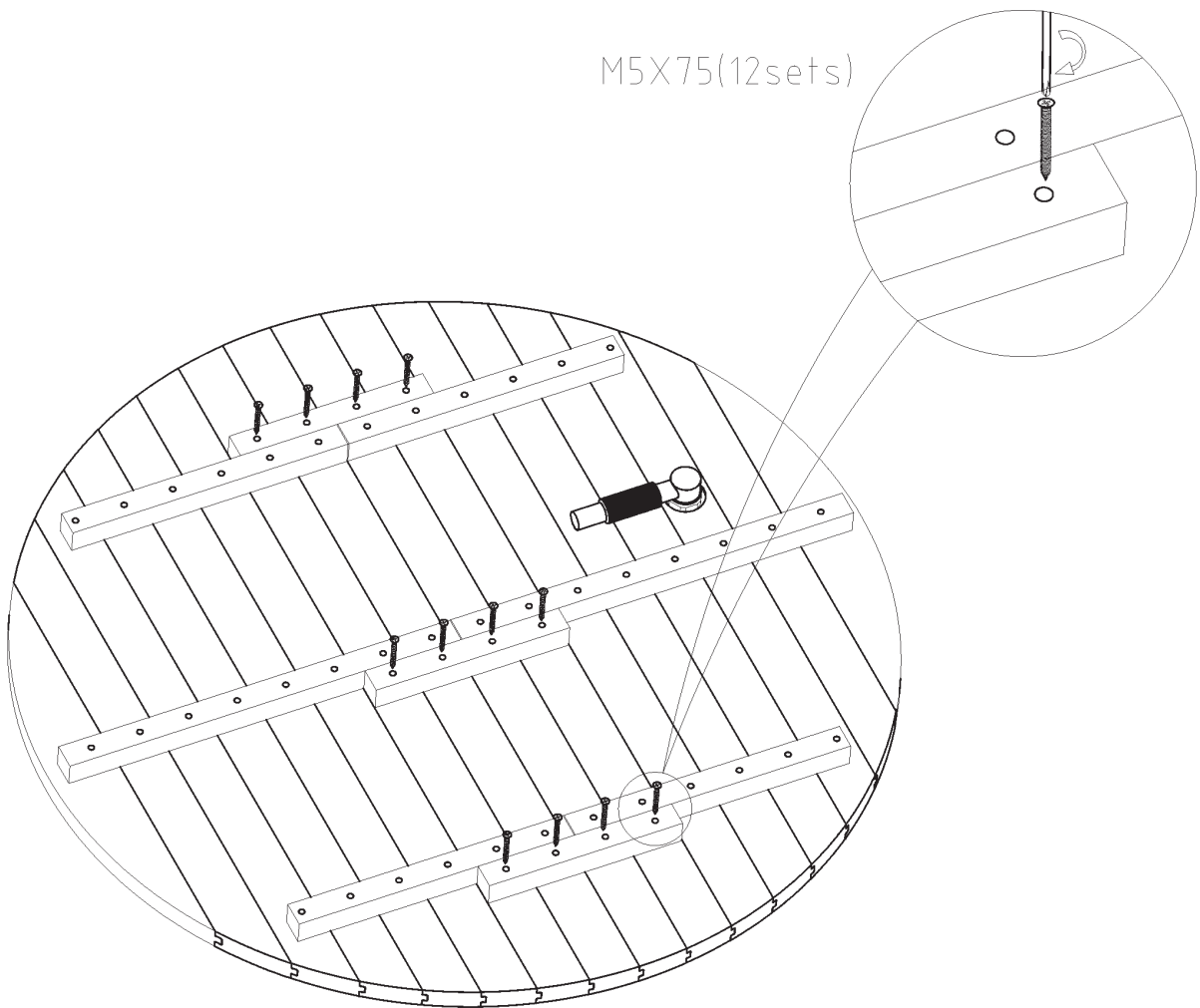
BACK COUNTRY

HOT TUBS & SAUNAS

Outdoor Hottub User Manual

2.

M5X75(12sets)

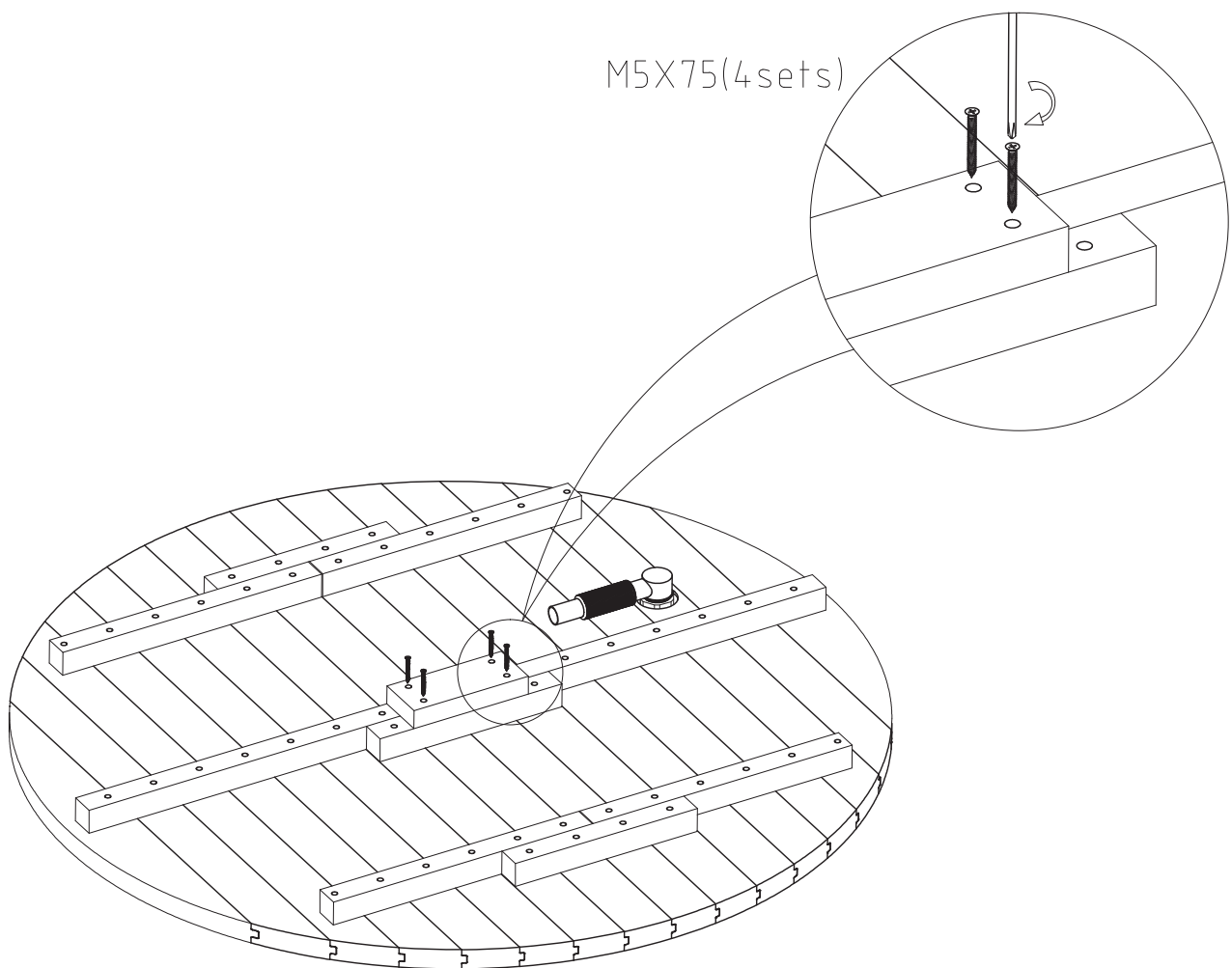


BACK COUNTRY

HOT TUBS & SAUNAS

Outdoor Hottub User Manual

3.



BACK COUNTRY

HOT TUBS & SAUNAS

Outdoor Hottub User Manual

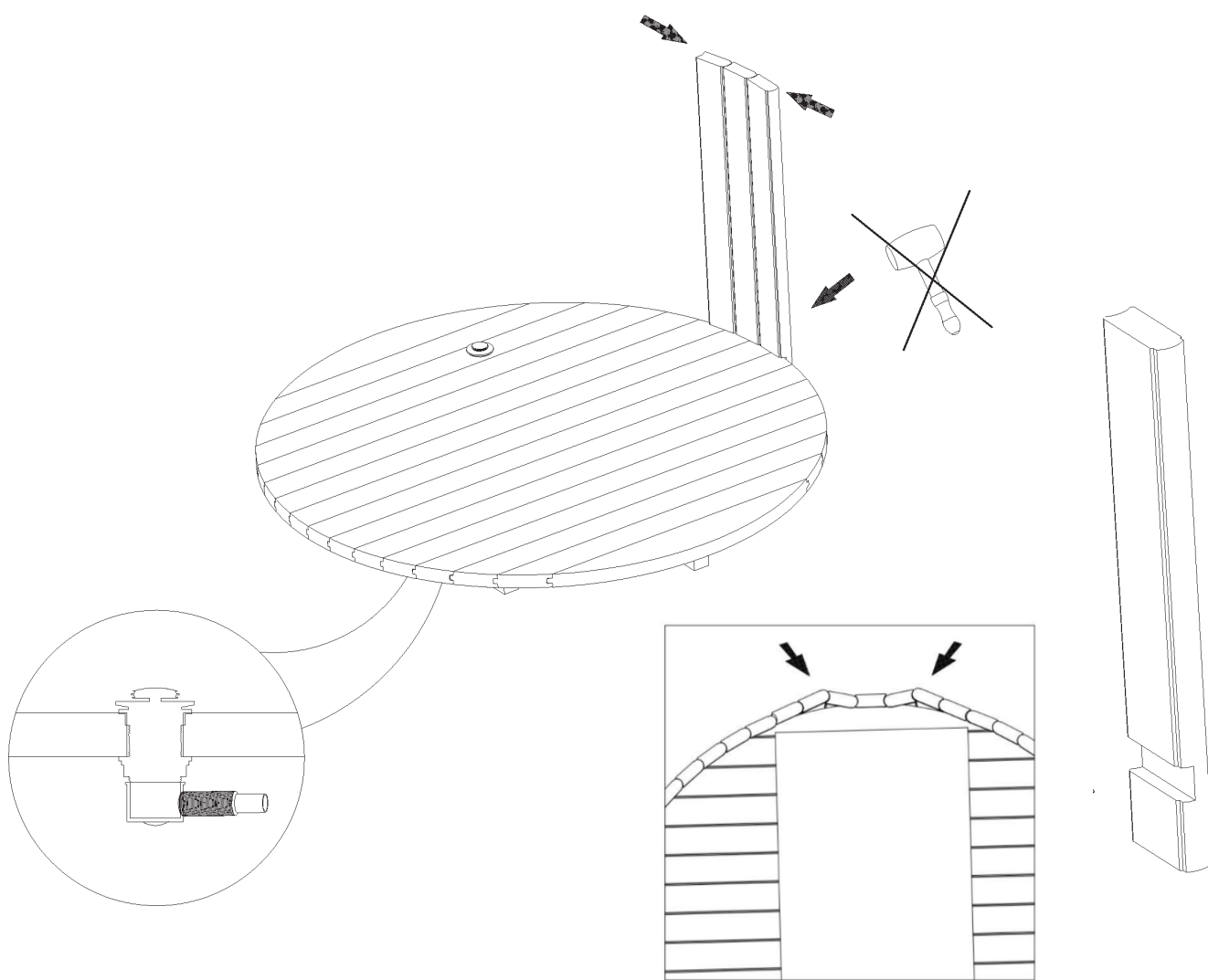
4.

NOTE: Once you have installed all the staves make sure to count the number of staves and match with the below chart. If you have less staves installed vs. what is outlined below you will need to reassemble to match the correct number of staves:

1.5m (5ft) diameter is 53pcs and one thin key Stave

1.8m (6ft) diameter is 63pcs and one thin key Stave

1.8m (7ft) diameter is 73pcs and one thin key Stave



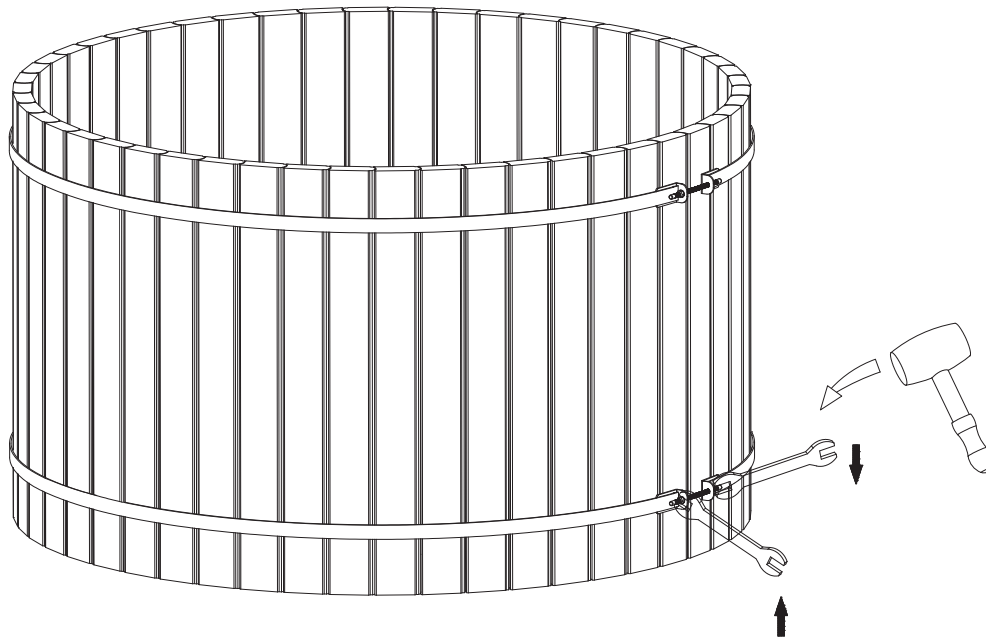
Fill in as many staves as possible, tilt some staves to provide more space if needed. It will seem like you have too many staves in place, but this is good as the bands will then draw them down and tight to the end sections for the best possible seal.

BACK COUNTRY

HOT TUBS & SAUNAS

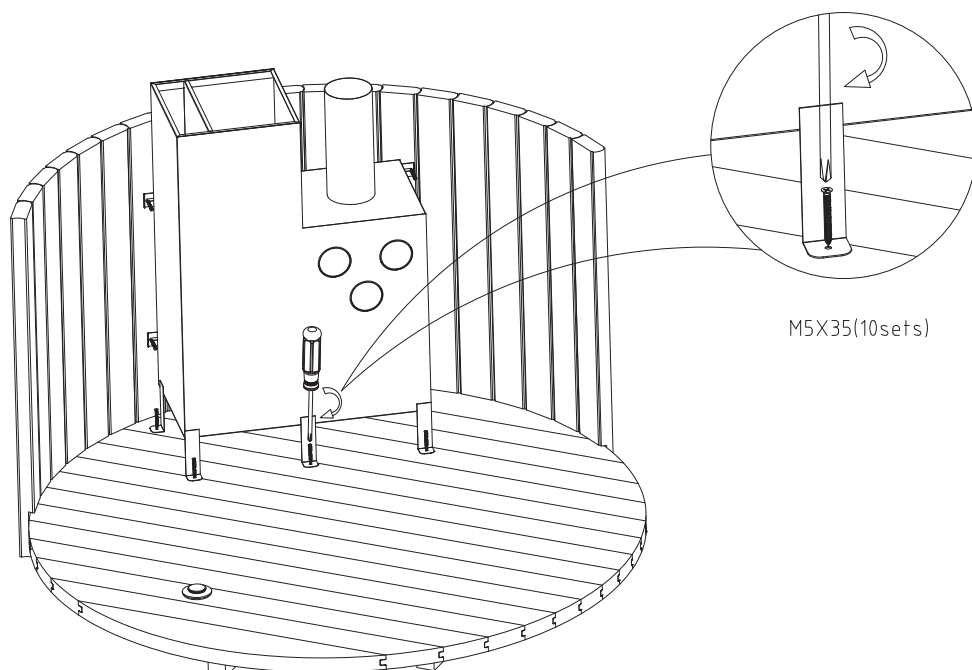
Outdoor Hottub User Manual

5.



Once all staves are in place you will need to run a bead of silicone around the perimeter of the tub. This bead should be ran on the inside of the unit where the stave meets the floor. This will ensure no leakage from the dado cut at the bottom of the staves and assist with the expansion of the wood**

6.

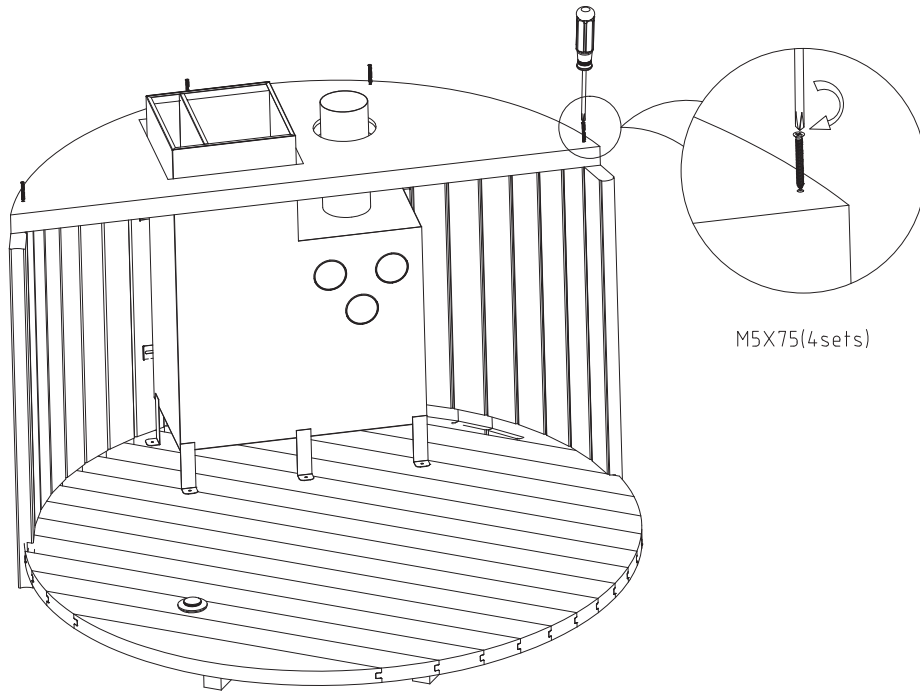


M5X35(10sets)

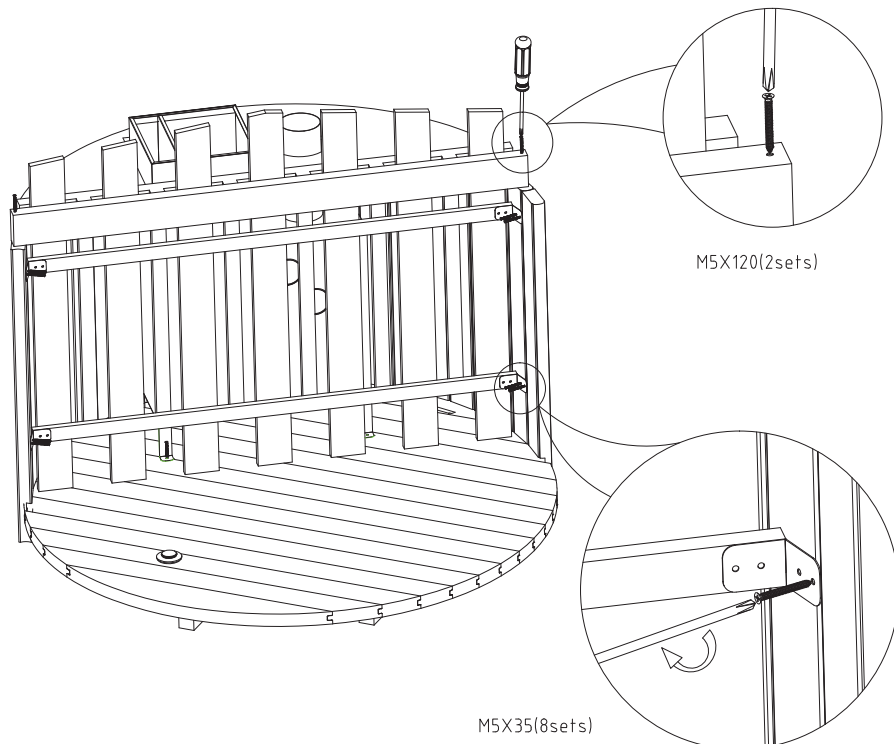
BACK COUNTRY

HOT TUBS & SAUNAS
Outdoor Hottub User Manual

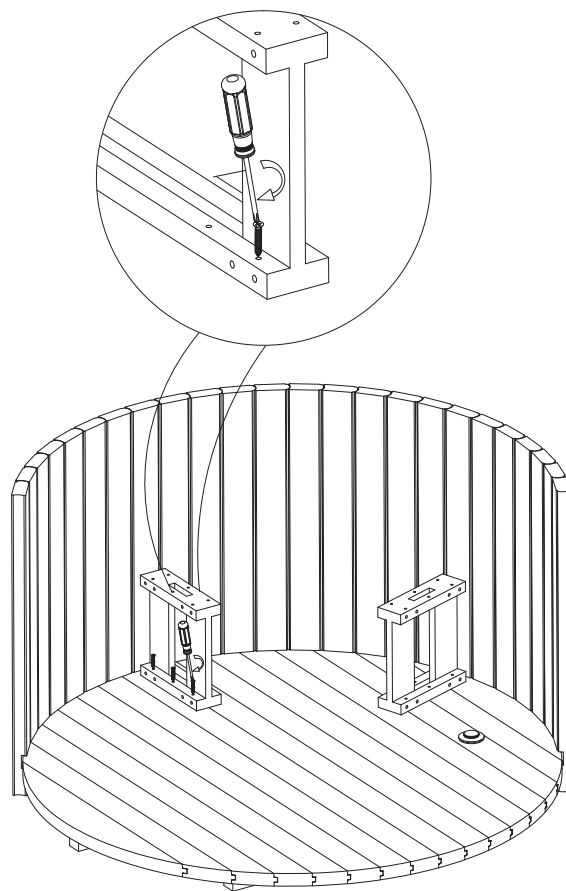
7.



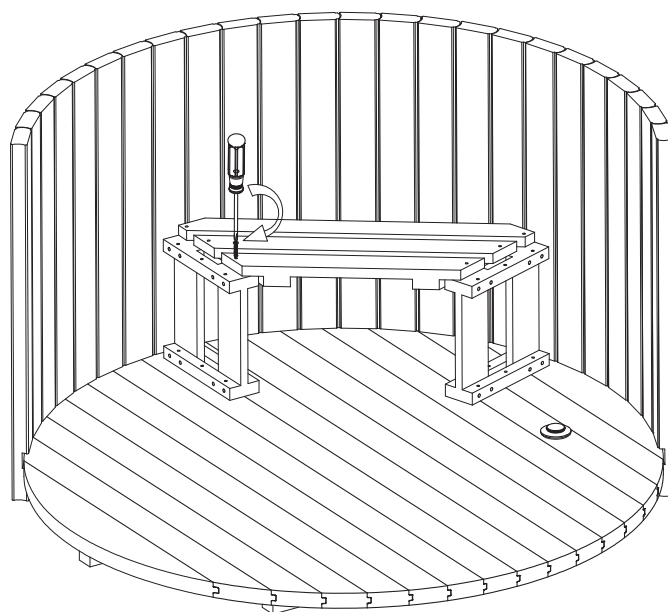
8.



9.



10.

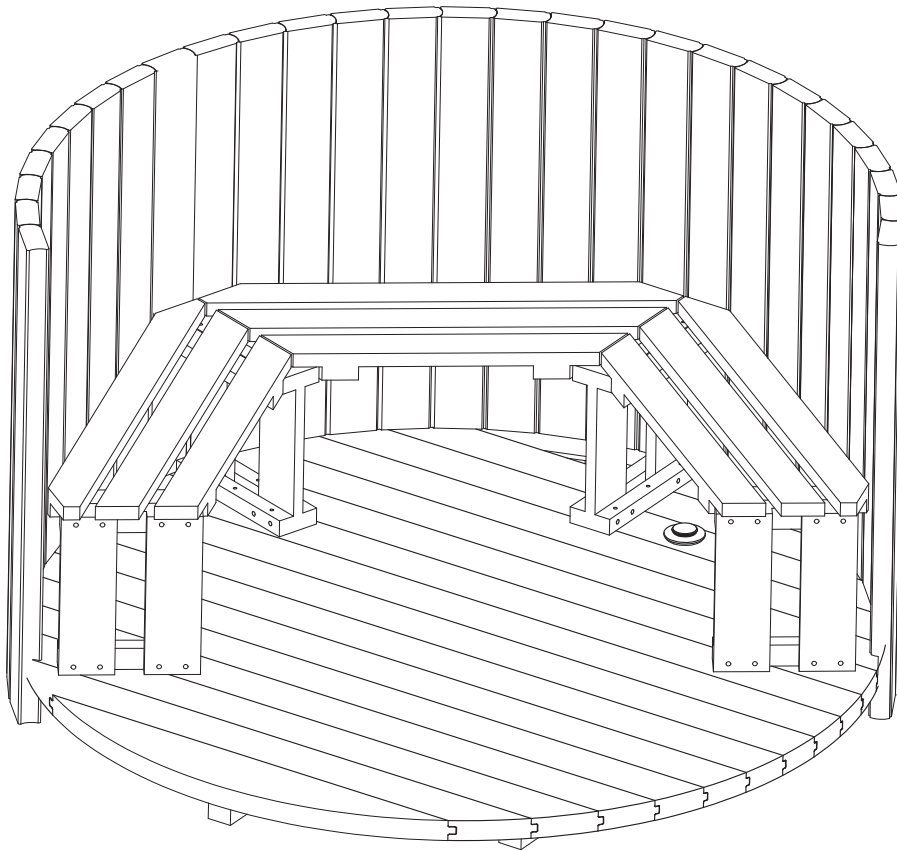


BACK COUNTRY

HOT TUBS & SAUNAS

Outdoor Hottub User Manual

11.

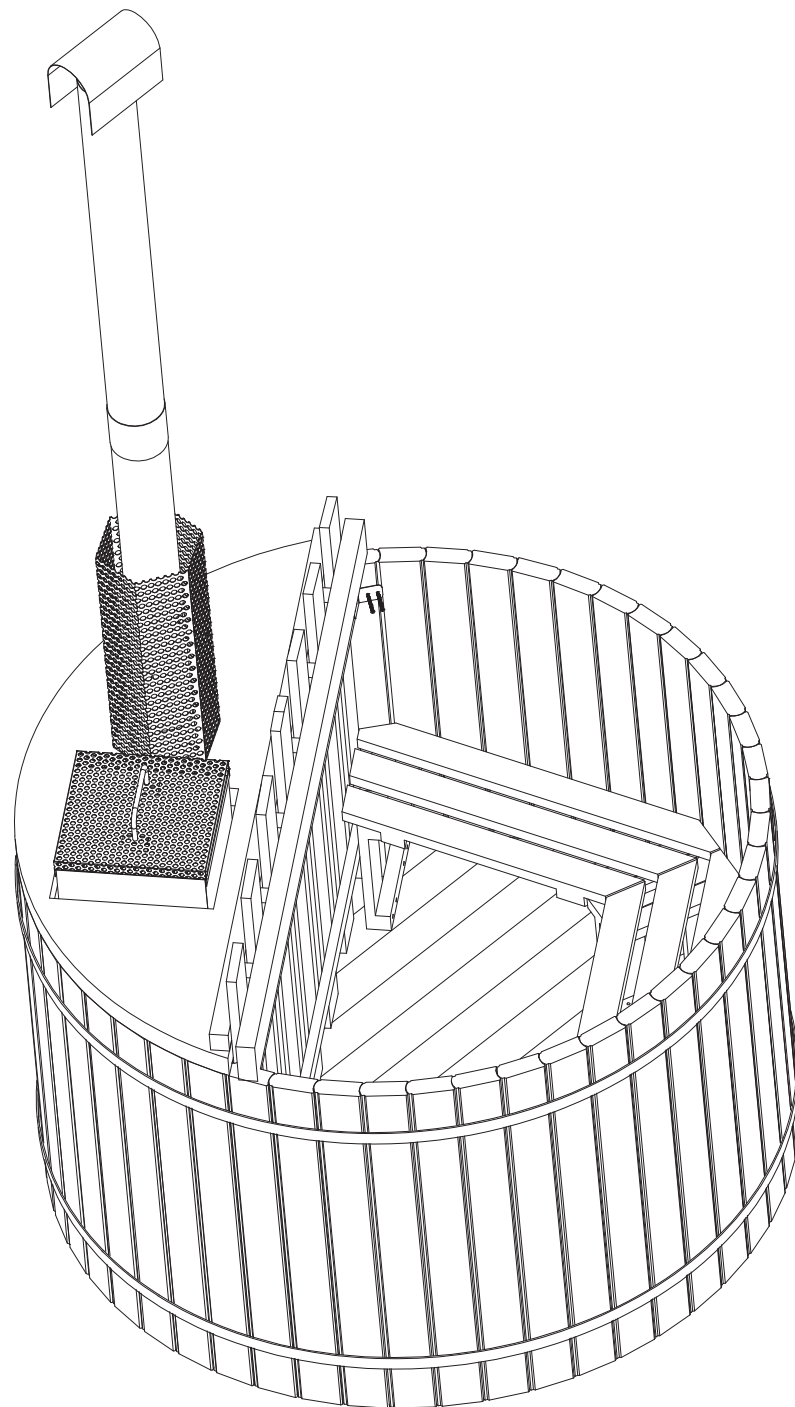


BACK COUNTRY

HOT TUBS & SAUNAS

Outdoor Hottub User Manual

12.



13.

