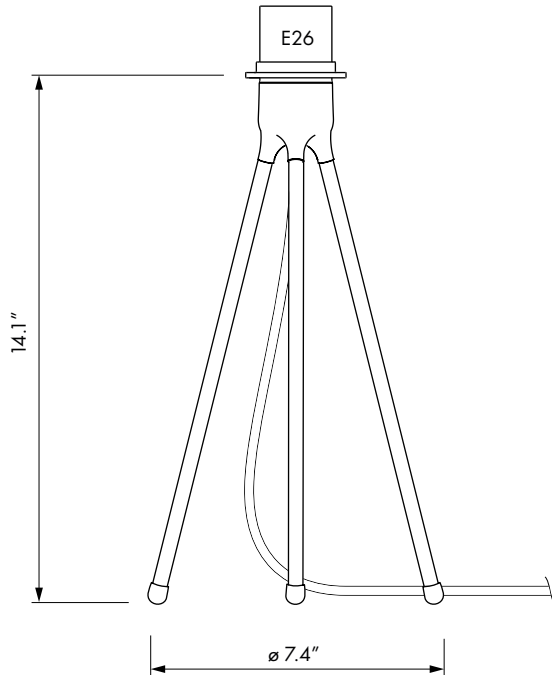




#4023
#4024

UIMAGE Tripod Table

Designed by Soren Ravn Christensen in Copenhagen, Denmark



Dimensions
ø 7.4"
h 14.1"



Material
ABS, Aluminum



Weight
1 lbs



Light source
E26
Max 60 W



Packaging
Gift Box, Dimensions (L×W×H): 2.7×2.7×15.7"



Assembly time
1 min - video guide at umage.com



UL Listed
For indoor use



Ordering Information

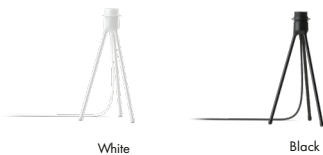
Tripod table white	#4023
Tripod table black	#4024

Accessories

Idea 2.3" (7W LED bulb)	#4041
Idea 3.1" (7W LED bulb)	#4042
Idea 1.7" (2W LED bulb)	#4040



Color variations



White

Black