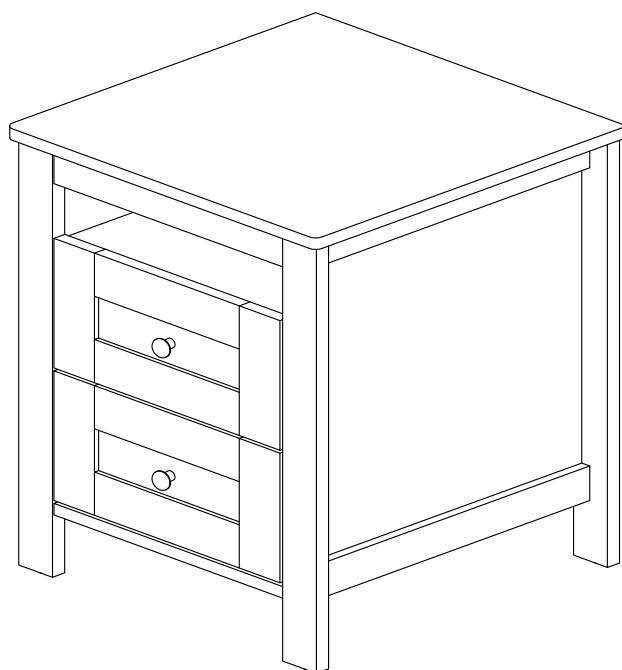


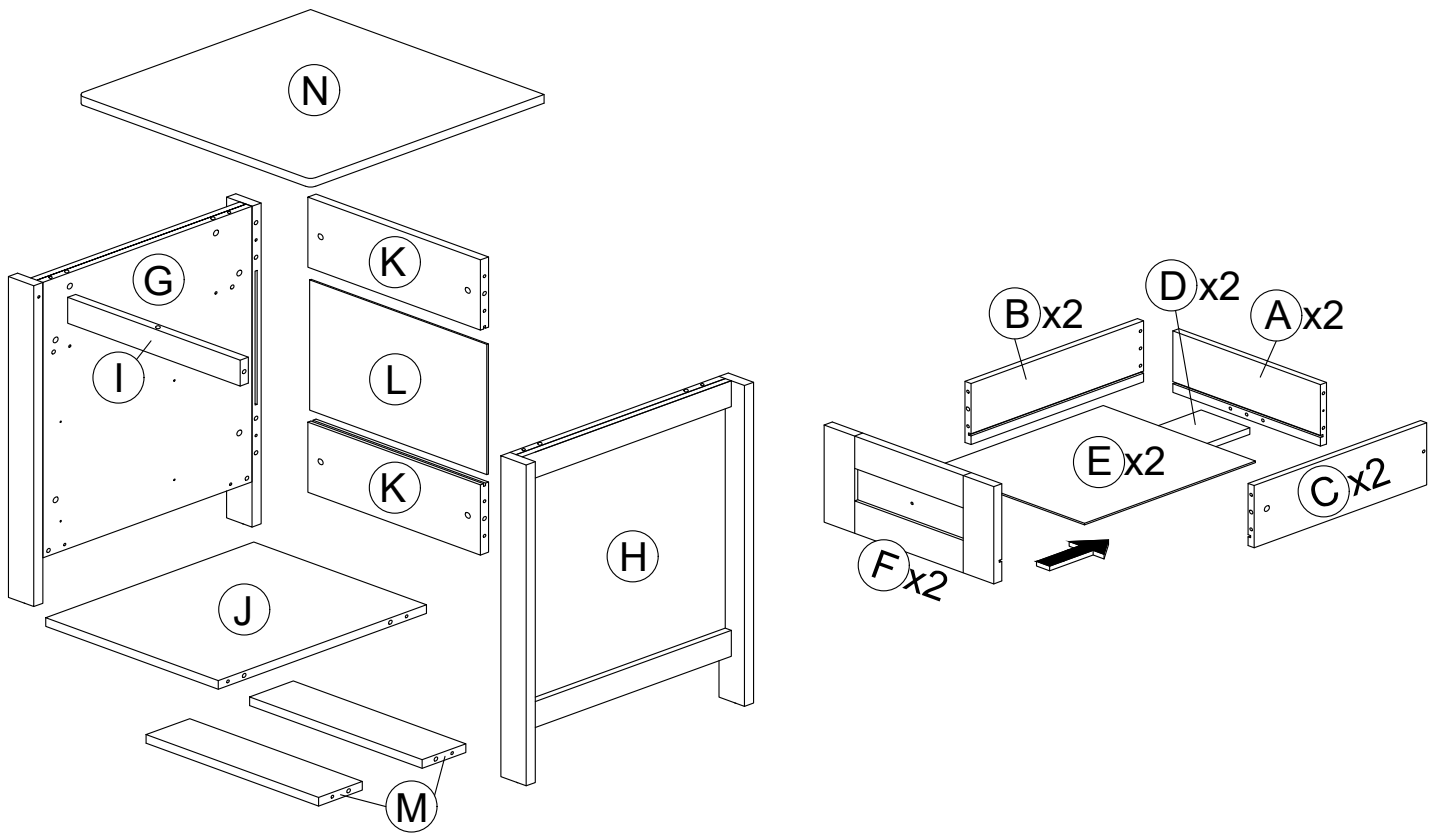
ASSEMBLY INSTRUCTION

Nightstand



ASSEMBLY INSTRUCTION

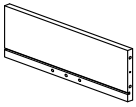
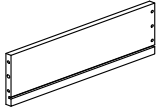
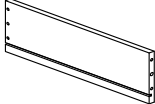
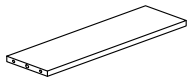
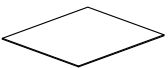
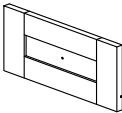
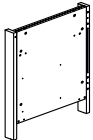
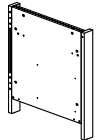
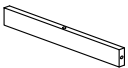
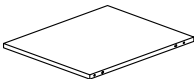
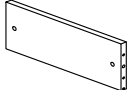
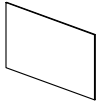
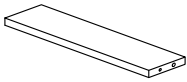
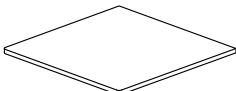
Nightstand








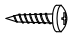


ASSEMBLY INSTRUCTION

Nightstand

PART LIST

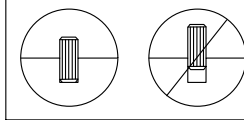
<p style="text-align: center;">A</p>  <p style="text-align: center;">Drawer Back 2 PCS</p>	<p style="text-align: center;">B</p>  <p style="text-align: center;">Drawer Side L 2 PCS</p>	<p style="text-align: center;">C</p>  <p style="text-align: center;">Drawer Side R 2 PCS</p>	<p style="text-align: center;">D</p>  <p style="text-align: center;">Drawer Support 2 PCS</p>
<p style="text-align: center;">E</p>  <p style="text-align: center;">Drawer Panel 2 PCS</p>	<p style="text-align: center;">F</p>  <p style="text-align: center;">Drawer Head 2 PCS</p>	<p style="text-align: center;">G</p>  <p style="text-align: center;">Side Panel L 1 PCS</p>	<p style="text-align: center;">H</p>  <p style="text-align: center;">Side Panel R 1 PCS</p>
<p style="text-align: center;">I</p>  <p style="text-align: center;">Front Support 1 PCS</p>	<p style="text-align: center;">J</p>  <p style="text-align: center;">Middle Panel 1 PCS</p>	<p style="text-align: center;">K</p>  <p style="text-align: center;">Back Panel Up/Down 2 PCS</p>	<p style="text-align: center;">L</p>  <p style="text-align: center;">Back Panel 1 PCS</p>
<p style="text-align: center;">M</p>  <p style="text-align: center;">Bottom Support 2 PCS</p>	<p style="text-align: center;">N</p>  <p style="text-align: center;">Top Panel 1 PCS</p>		

HARDWARE LIST

<p style="text-align: center;">1</p>  <p style="text-align: center;">Camlock 12MM 25 PCS</p>	<p style="text-align: center;">2</p>  <p style="text-align: center;">Camlock Bolt 12MM 25 PCS</p>	<p style="text-align: center;">3</p>  <p style="text-align: center;">M6x30MM Wood Dowel 44 PCS</p>	<p style="text-align: center;">4</p>  <p style="text-align: center;">CB Screw M3.5x12MM 24 PCS</p>
<p style="text-align: center;">5</p>  <p style="text-align: center;">M4x38MM Screw 6 PCS</p>	<p style="text-align: center;">6</p>  <p style="text-align: center;">PH Screw #8x16MM 2 PCS</p>	<p style="text-align: center;">7</p>  <p style="text-align: center;">Handle 209 2 PCS</p>	<p style="text-align: center;">8</p>  <p style="text-align: center;">Drawer Slide 12" 4 PCS</p>

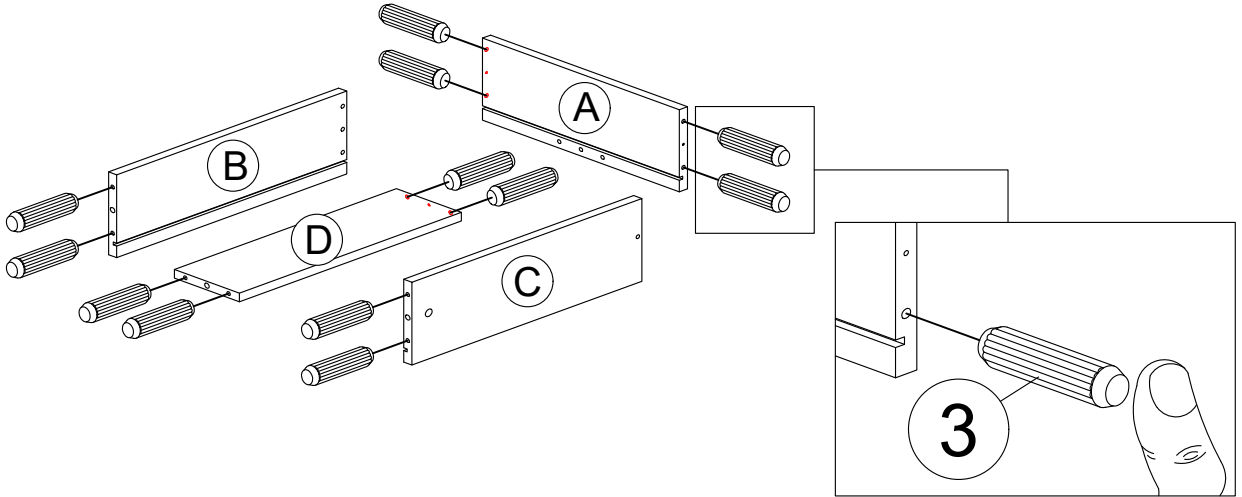
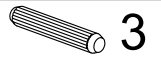
ASSEMBLY INSTRUCTION

Step 1



Required/Requis/Requerido

x24

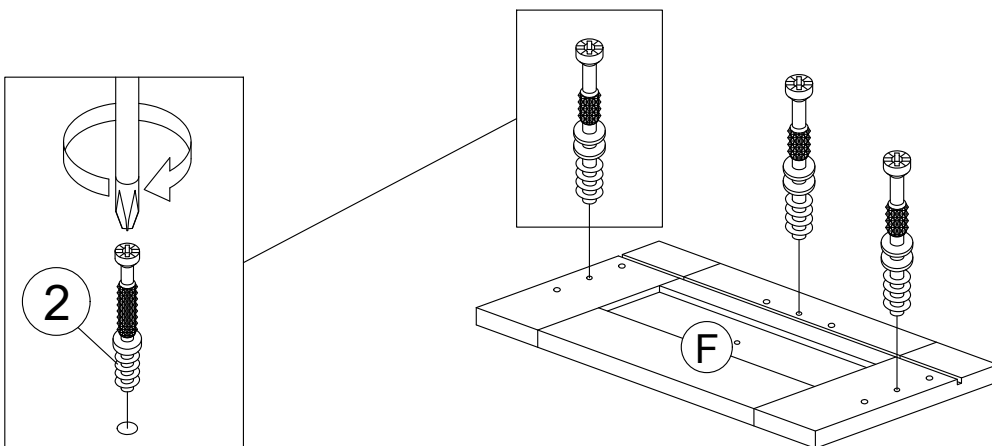


x2

Step 2

Required/Requis/Requerido

x6



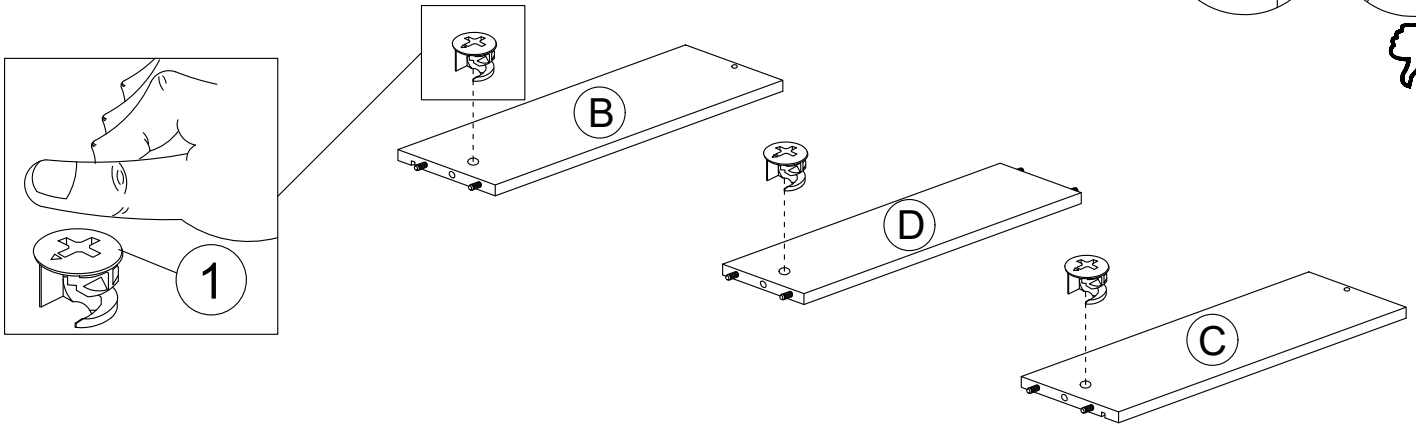
x2

ASSEMBLY INSTRUCTION

Step 3

Required/Requis/Requerido

x6

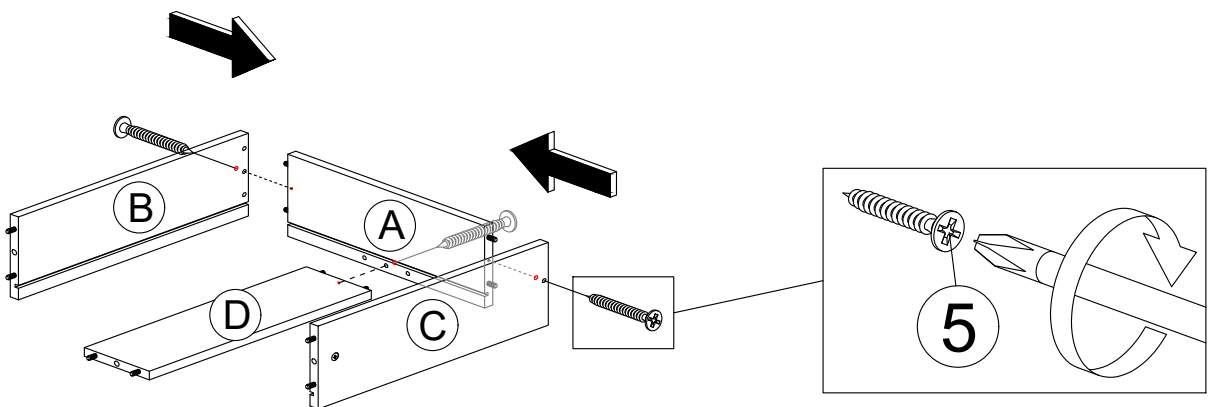


x2

Step 4

Required/Requis/Requerido

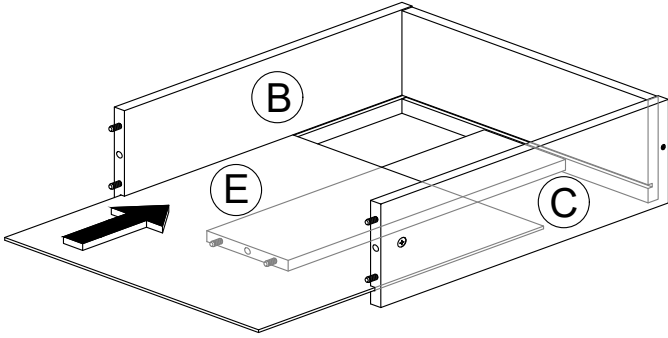
x6



x2

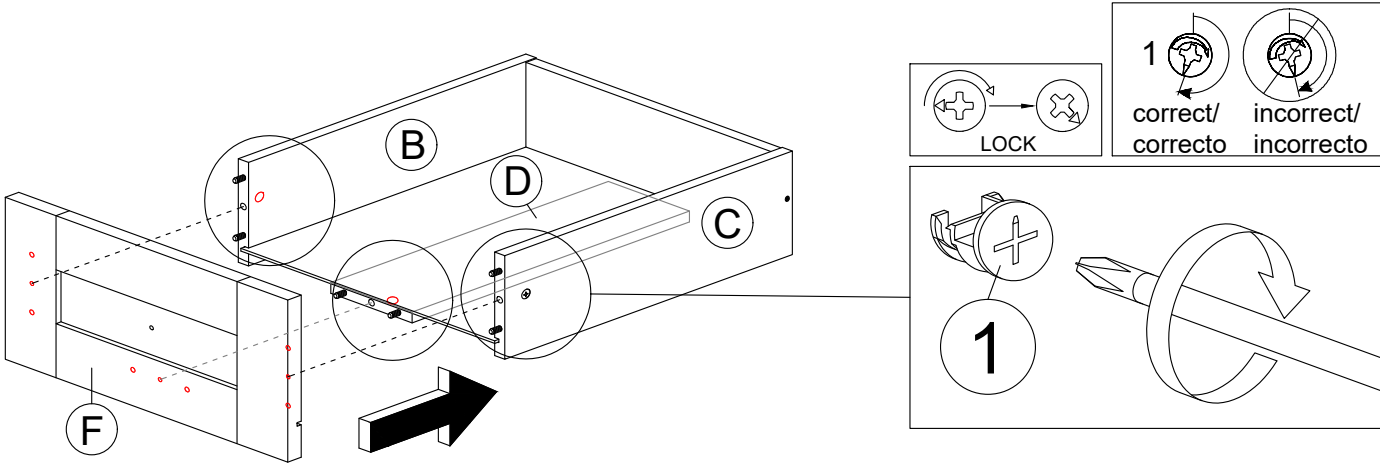
ASSEMBLY INSTRUCTION

Step 5



x2

Step 6




x2

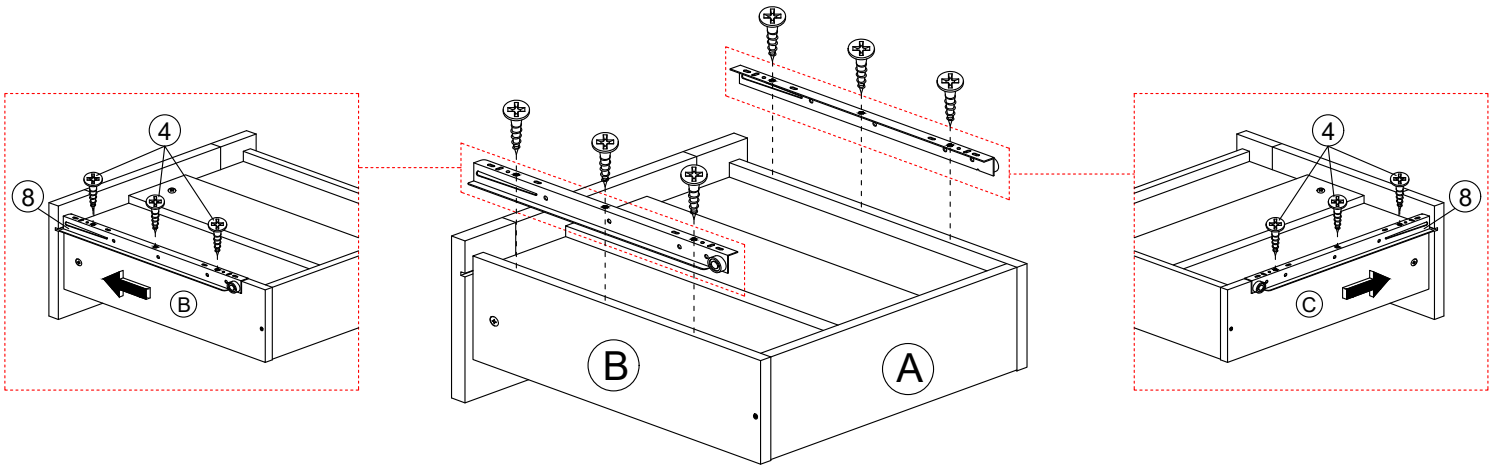
ASSEMBLY INSTRUCTION

Step 7

Required/Requis/Requerido

x12  4

x4  8



Bottom View

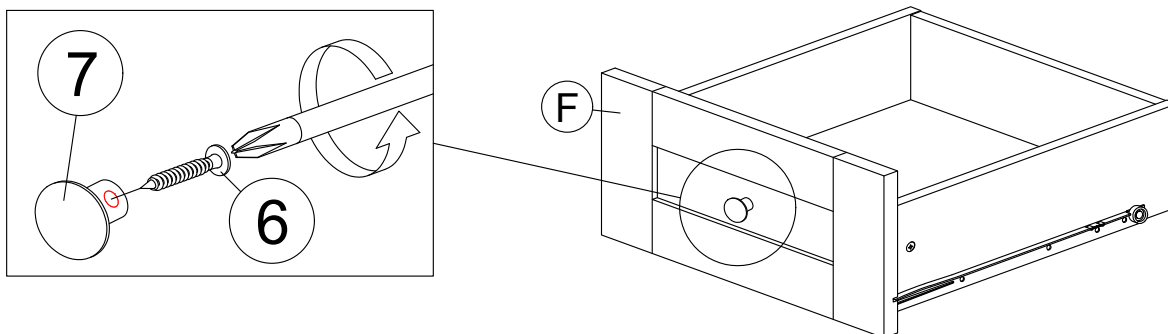
x2

Step 8

Required/Requis/Requerido

x2  6

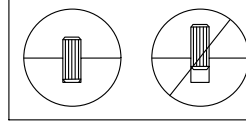
x2  7



x2

ASSEMBLY INSTRUCTION

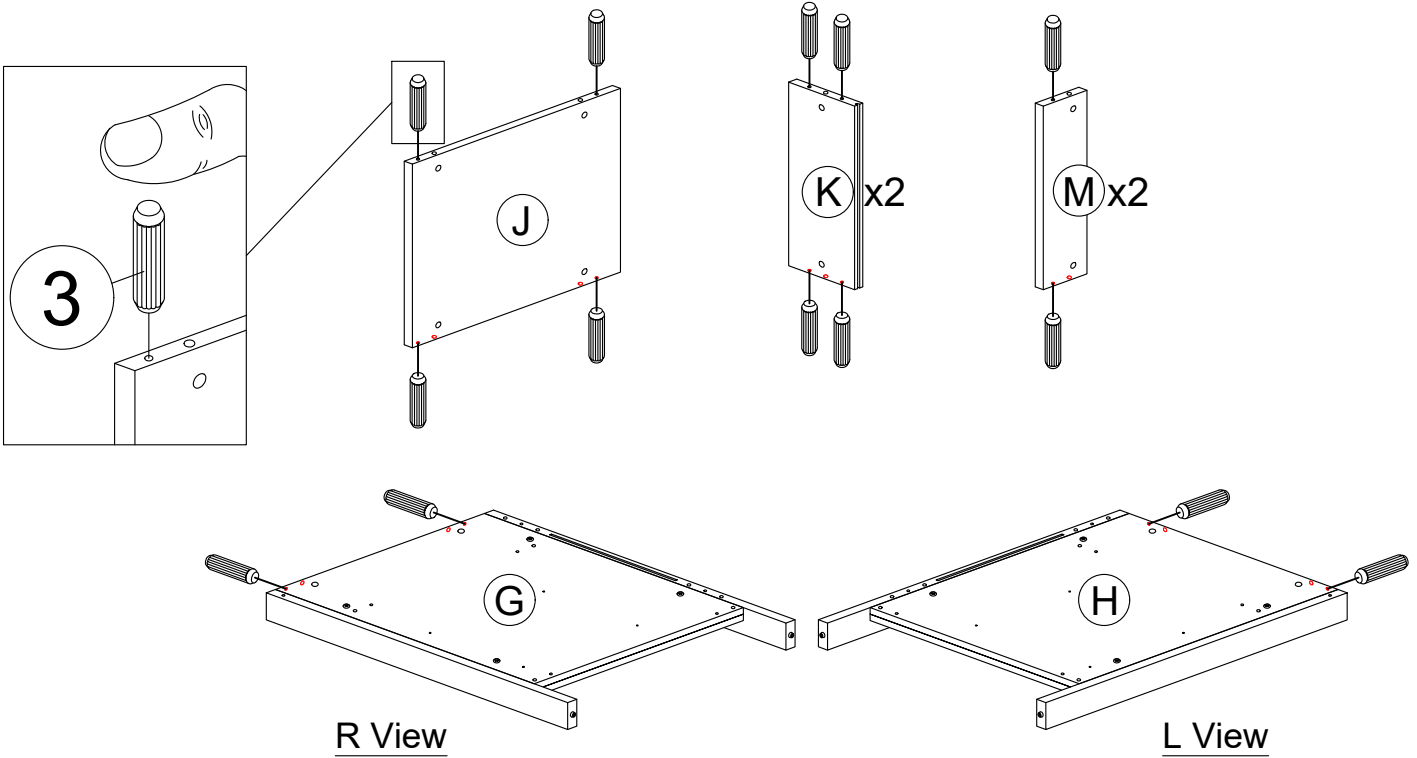
Step 9



Required/Requis/Requerido

x20

3

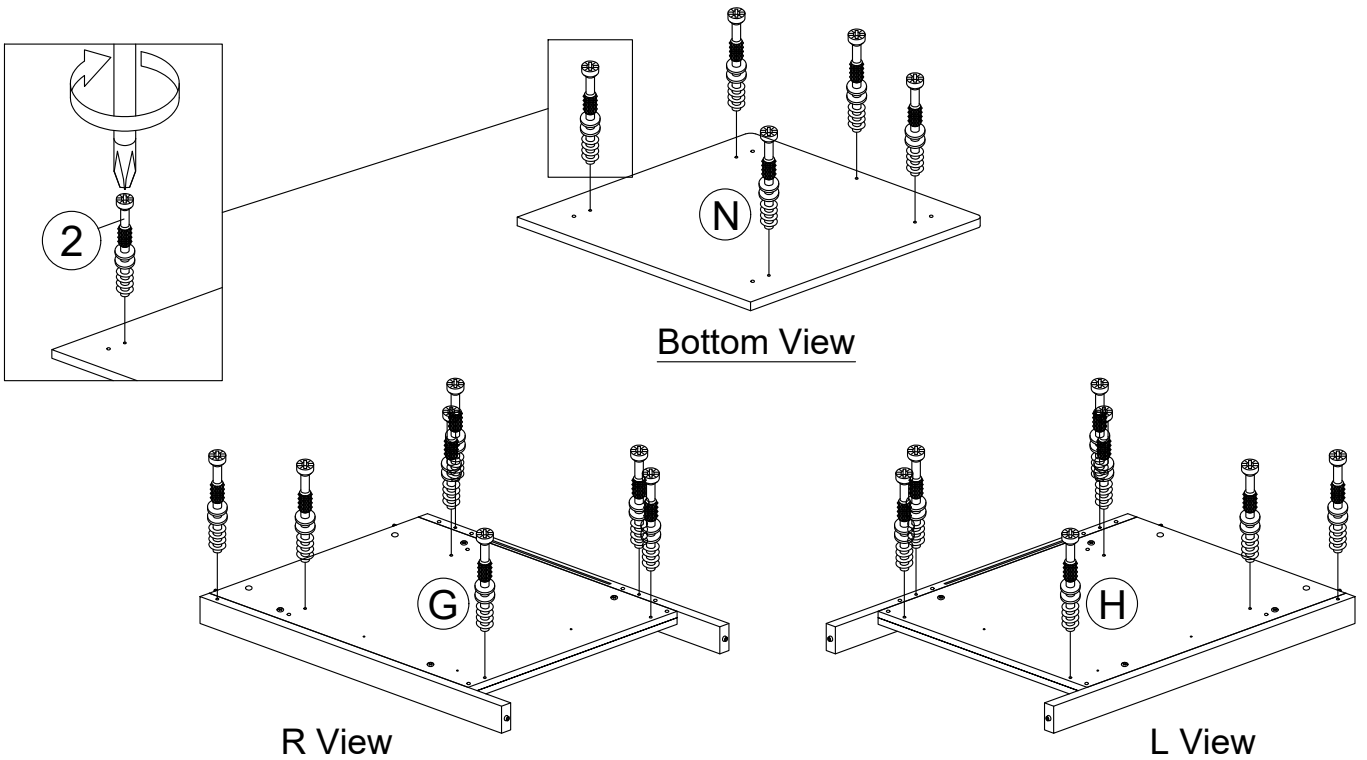


Step 10

Required/Requis/Requerido

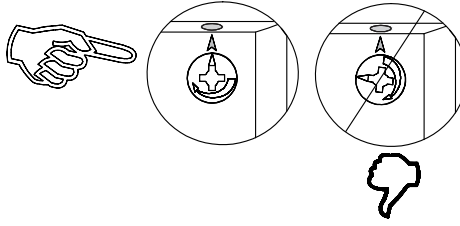
x19

2



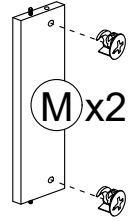
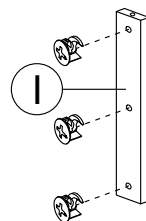
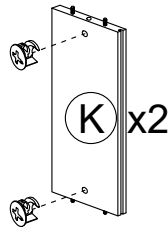
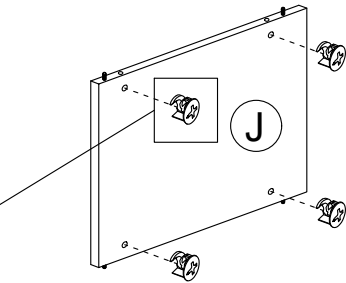
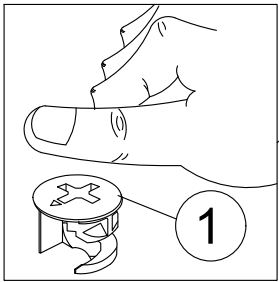
ASSEMBLY INSTRUCTION

Step 11

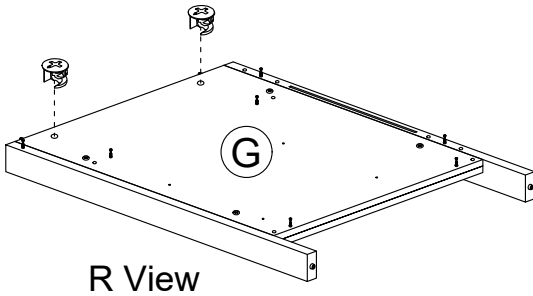


Required/Requis/Requerido

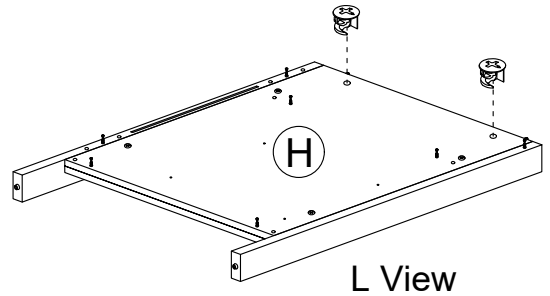
x19



Back View



R View



L View

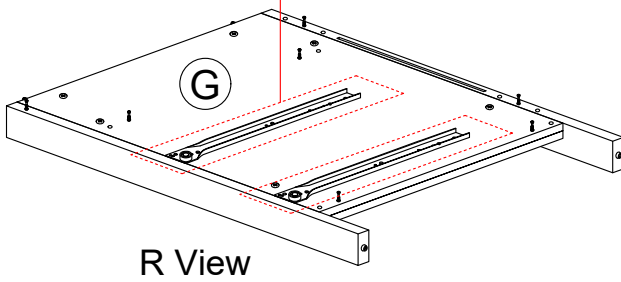
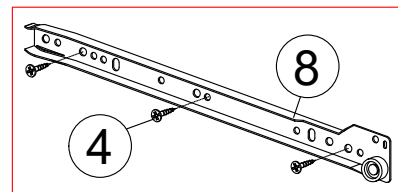
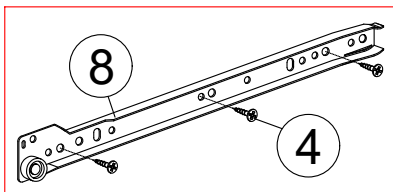
Step 12

Required/Requis/Requerido

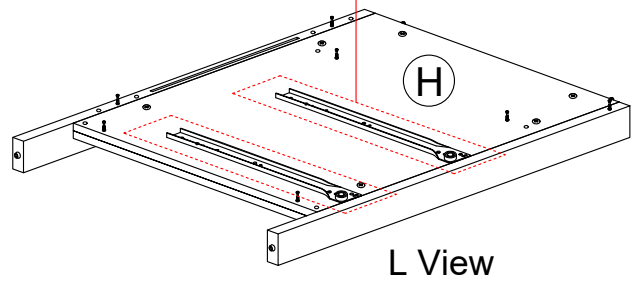
x12



x4



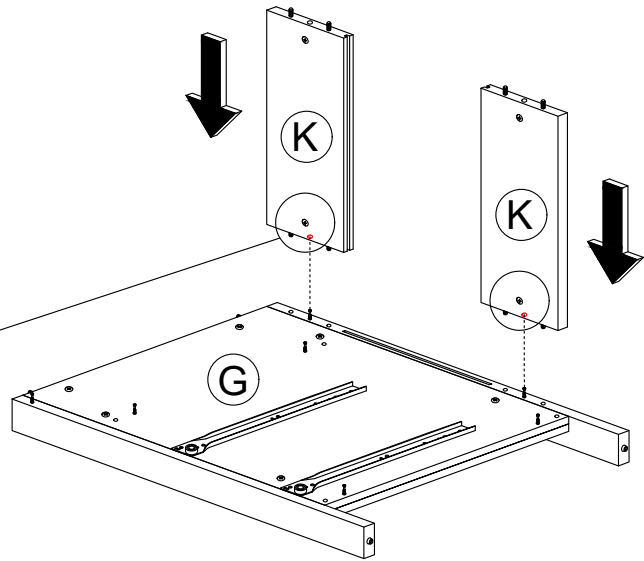
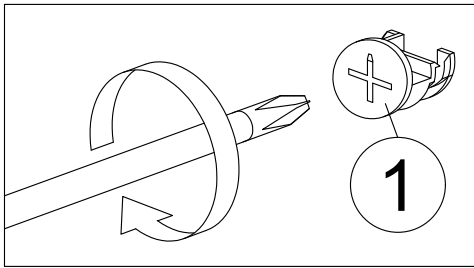
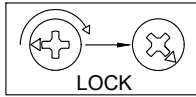
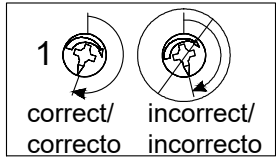
R View



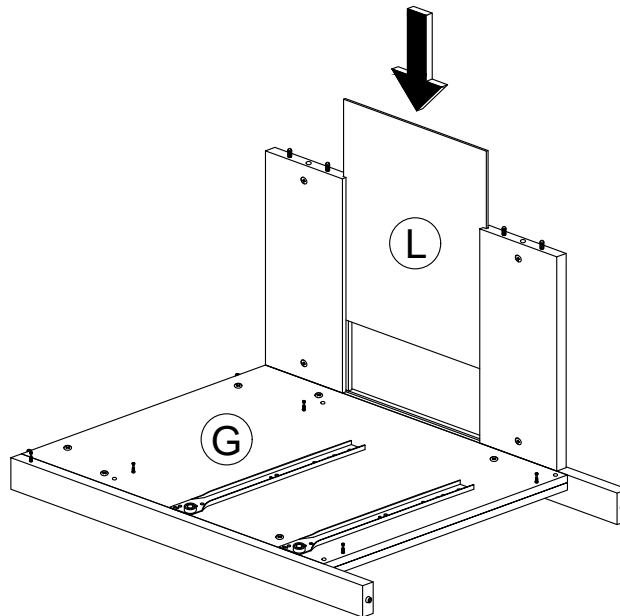
L View

ASSEMBLY INSTRUCTION

Step 13

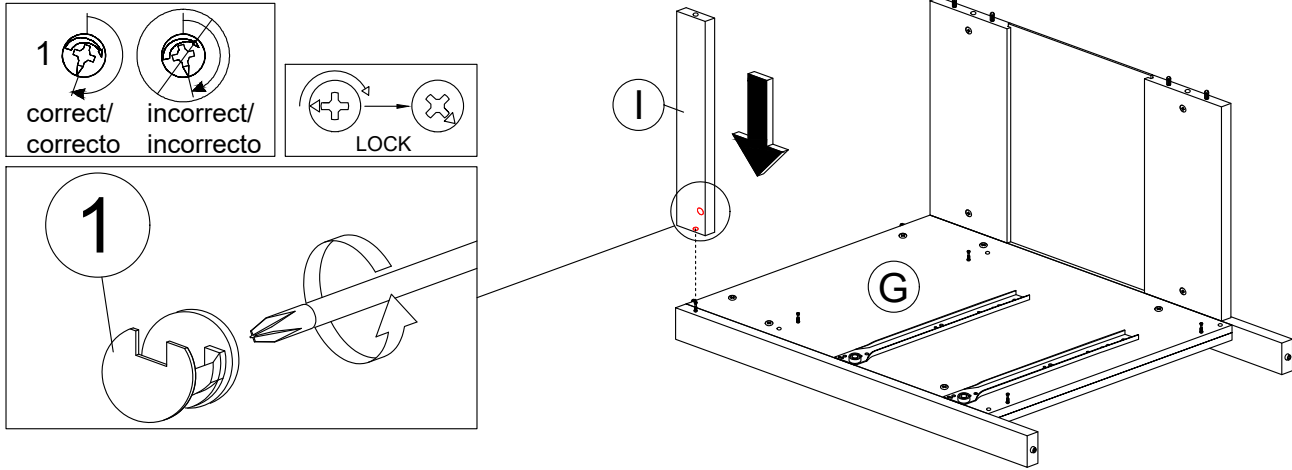


Step 14

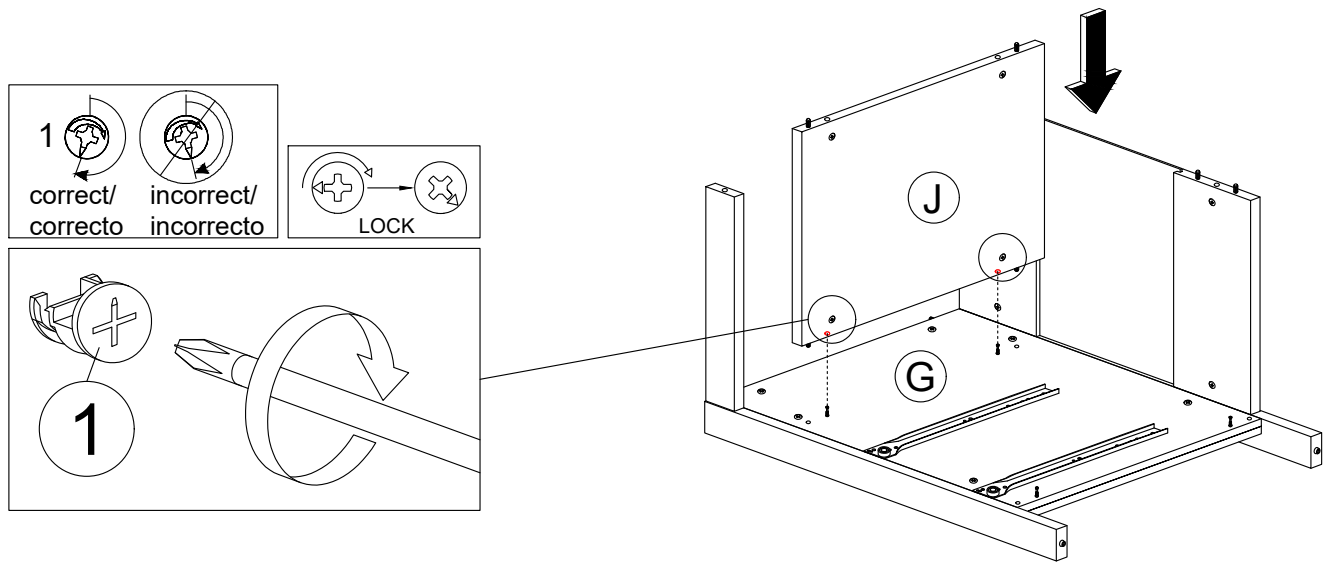


ASSEMBLY INSTRUCTION

Step 15

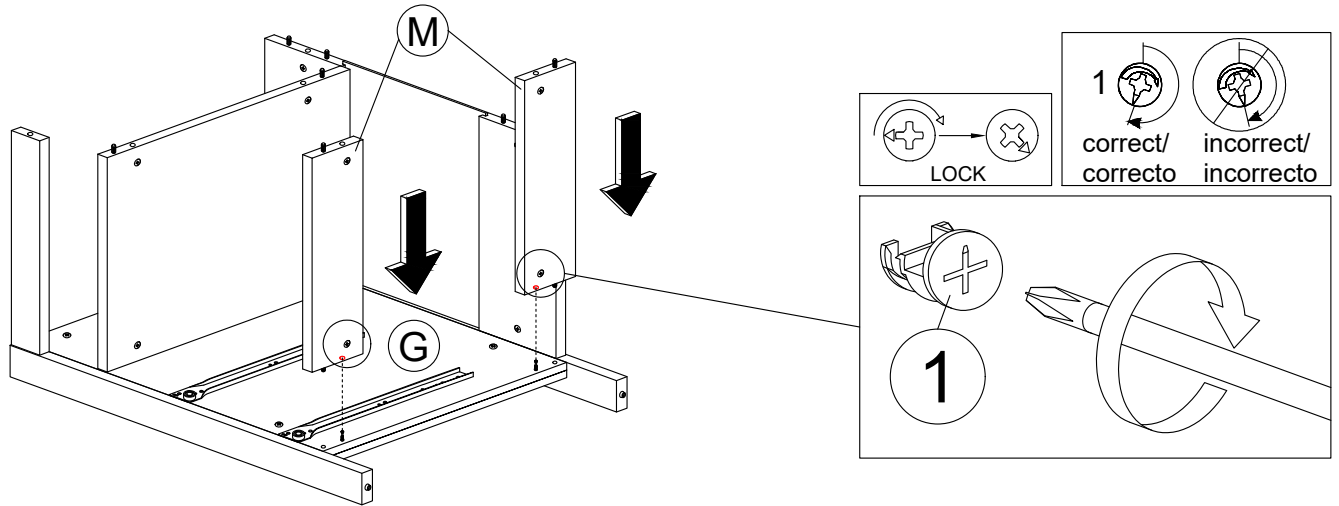


Step 16

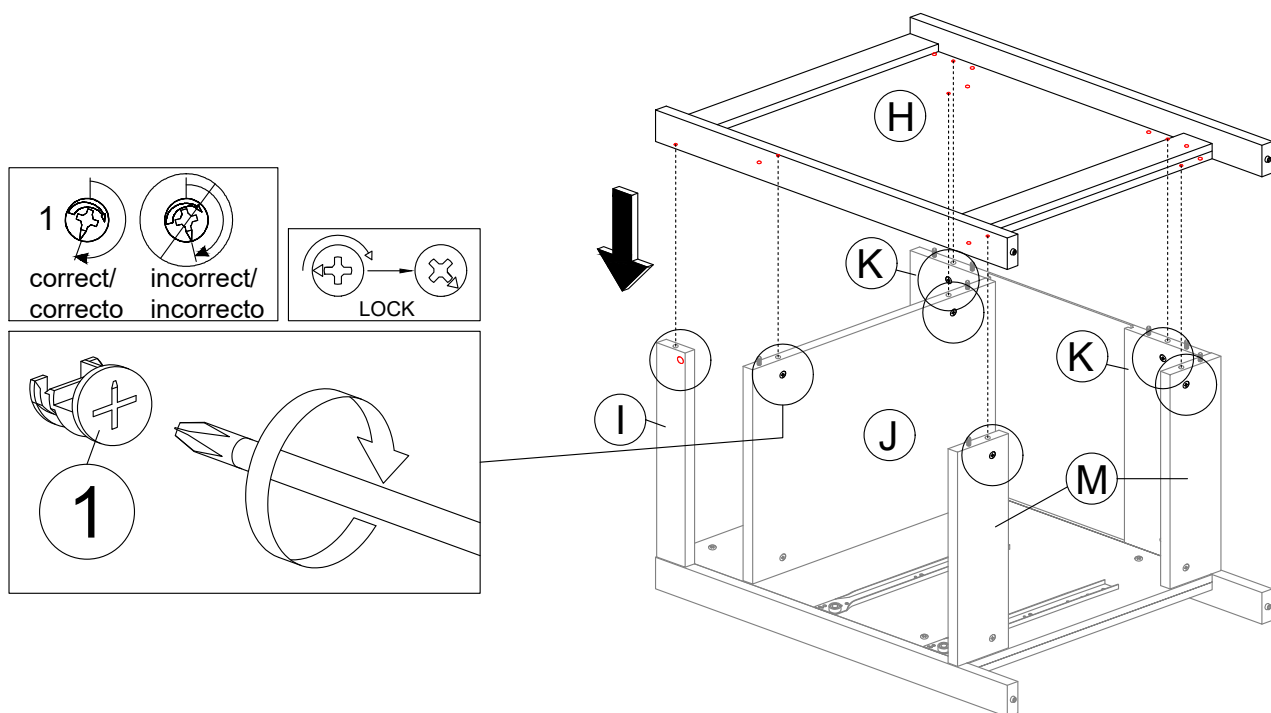


ASSEMBLY INSTRUCTION

Step 17

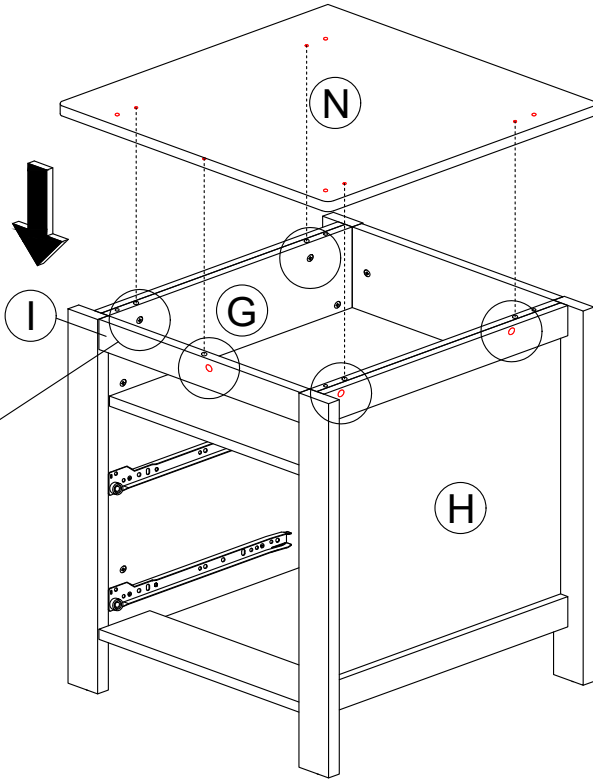
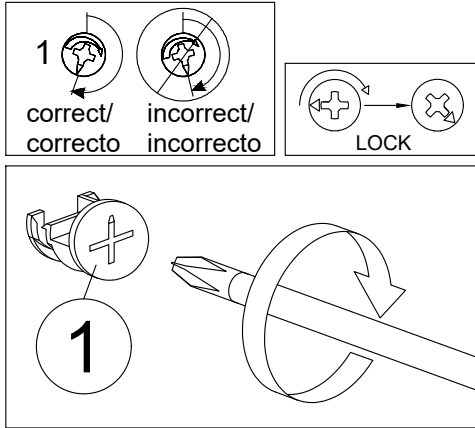


Step 18

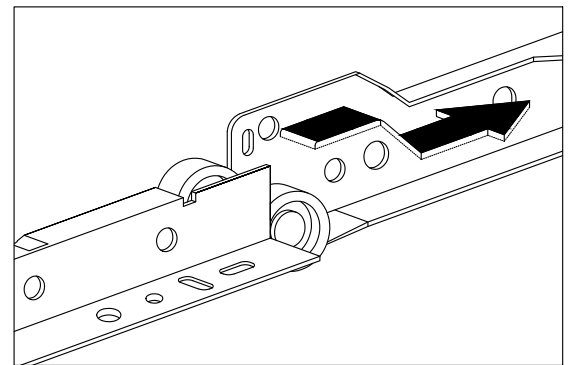
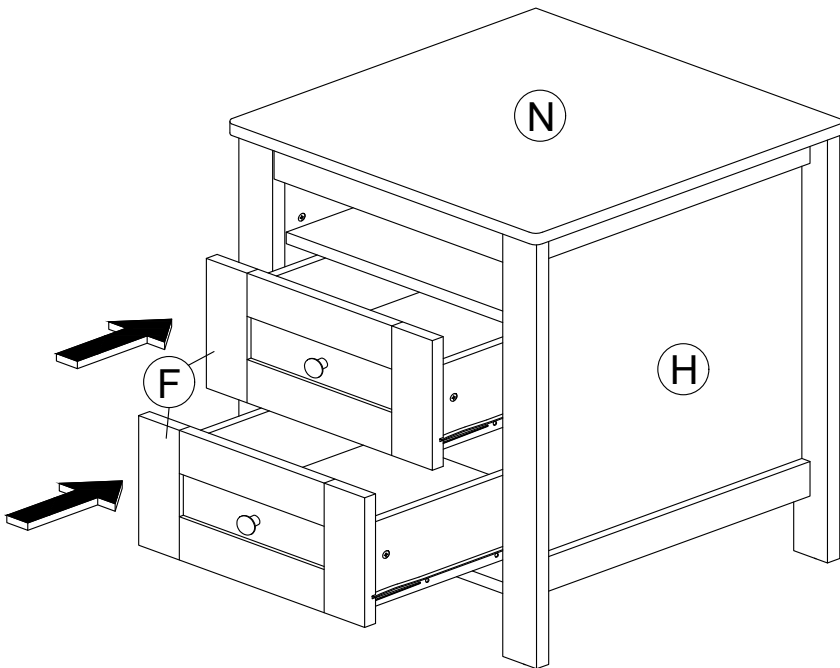


ASSEMBLY INSTRUCTION

Step 19



Step 20



ASSEMBLY INSTRUCTION

Complete

