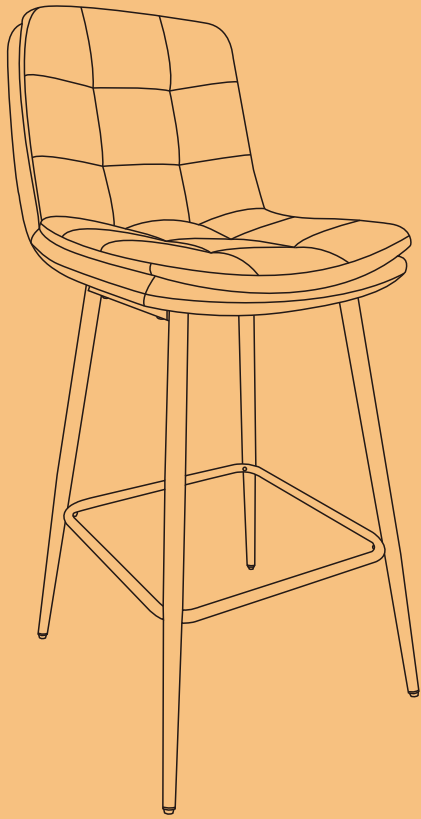
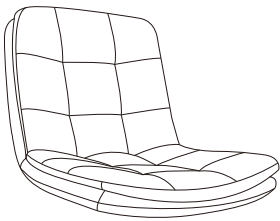


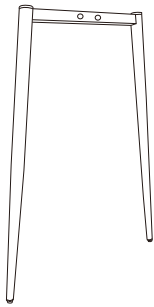
INSTRUCTION MANUAL



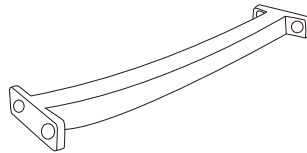
Part List



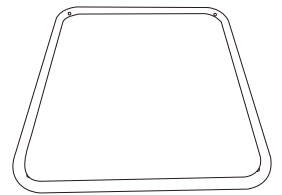
A *2



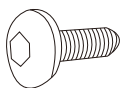
B *4



C *2

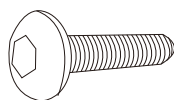


D *2



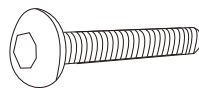
E (4+1)*2

M6*20 mm



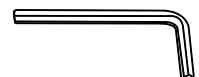
F (4+1)*2

M6*25 mm



G (4+1)*2

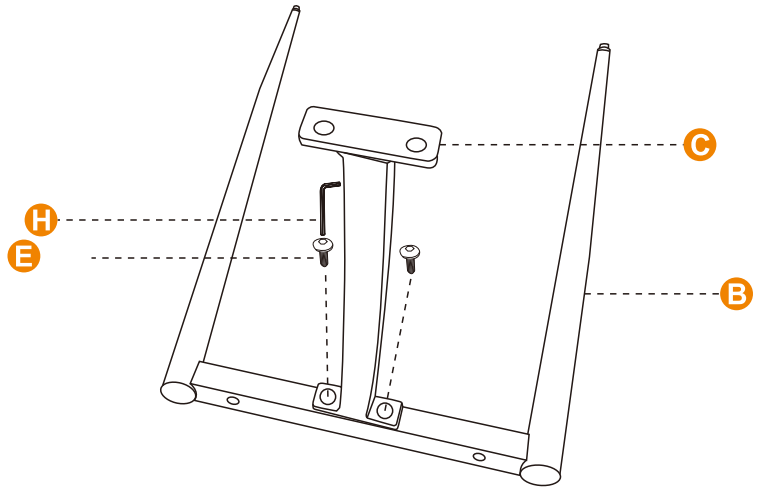
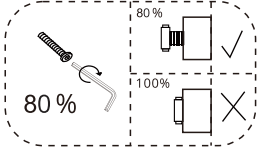
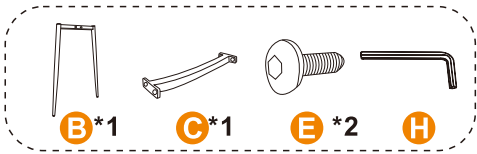
M6*35 mm



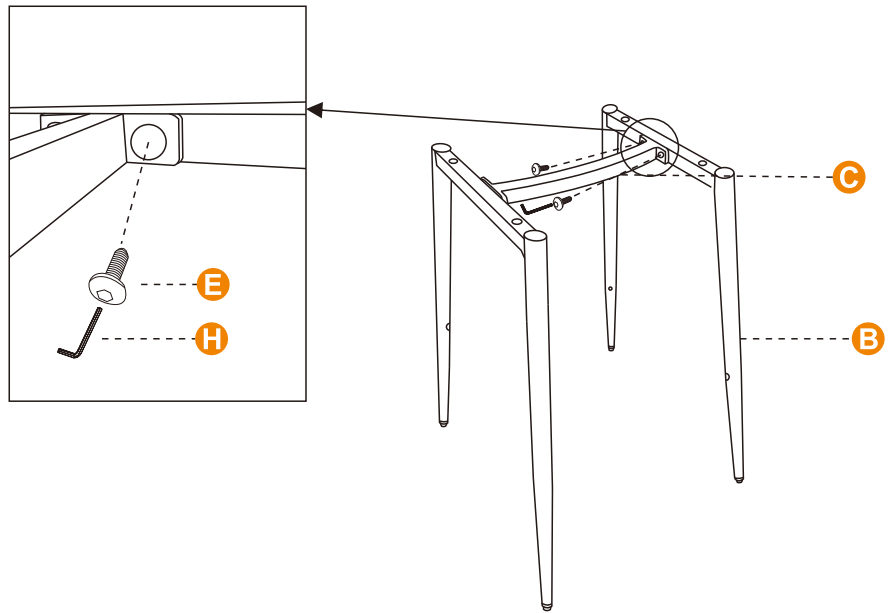
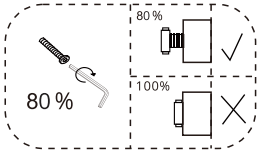
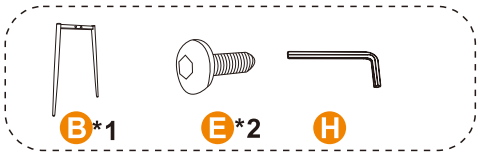
H *1

Assembly Instruction

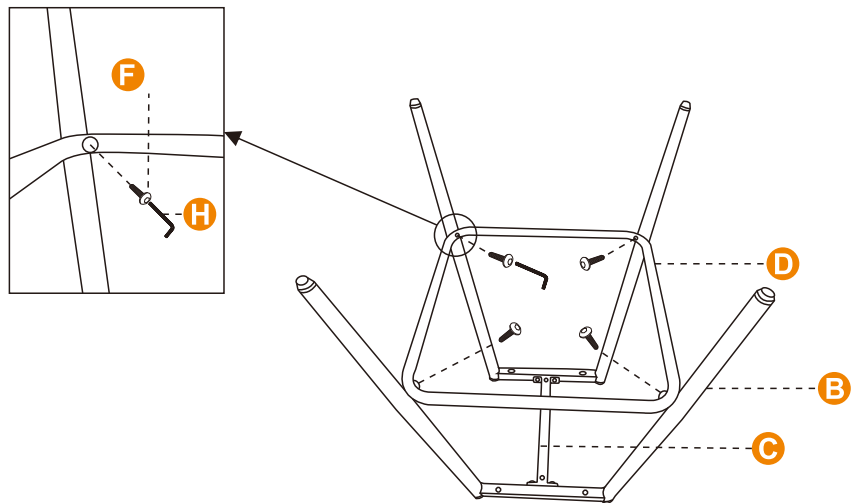
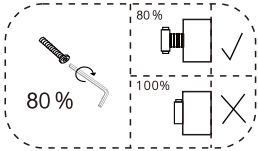
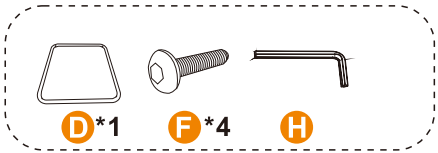
Step 1



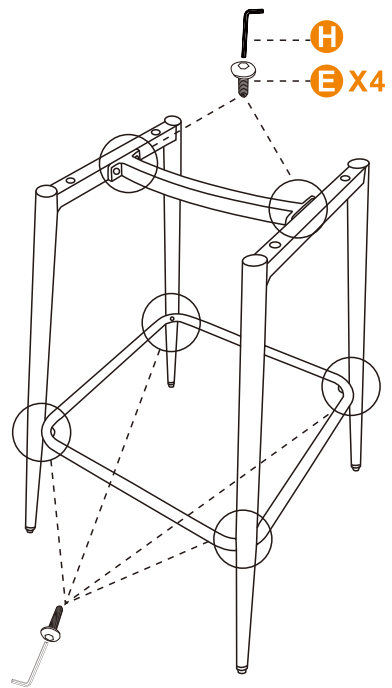
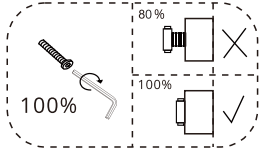
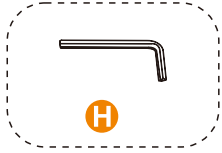
Step 2



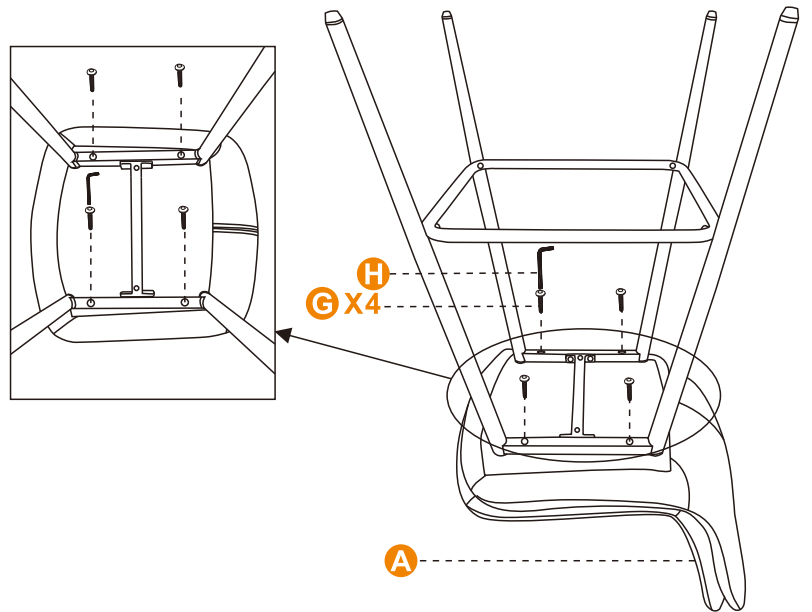
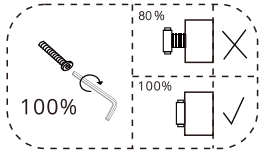
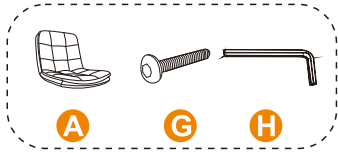
Step 3



Step 4



Step 5



Step 6

