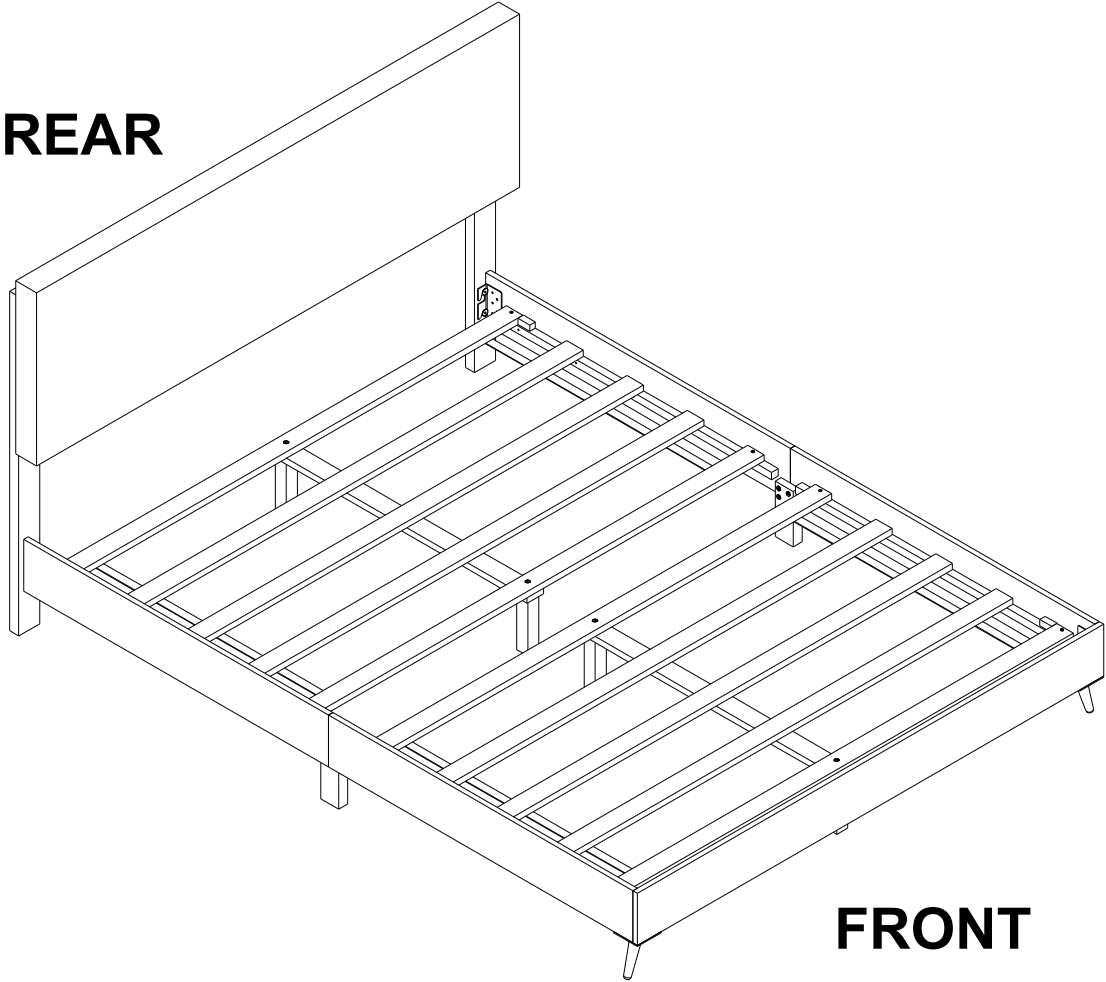
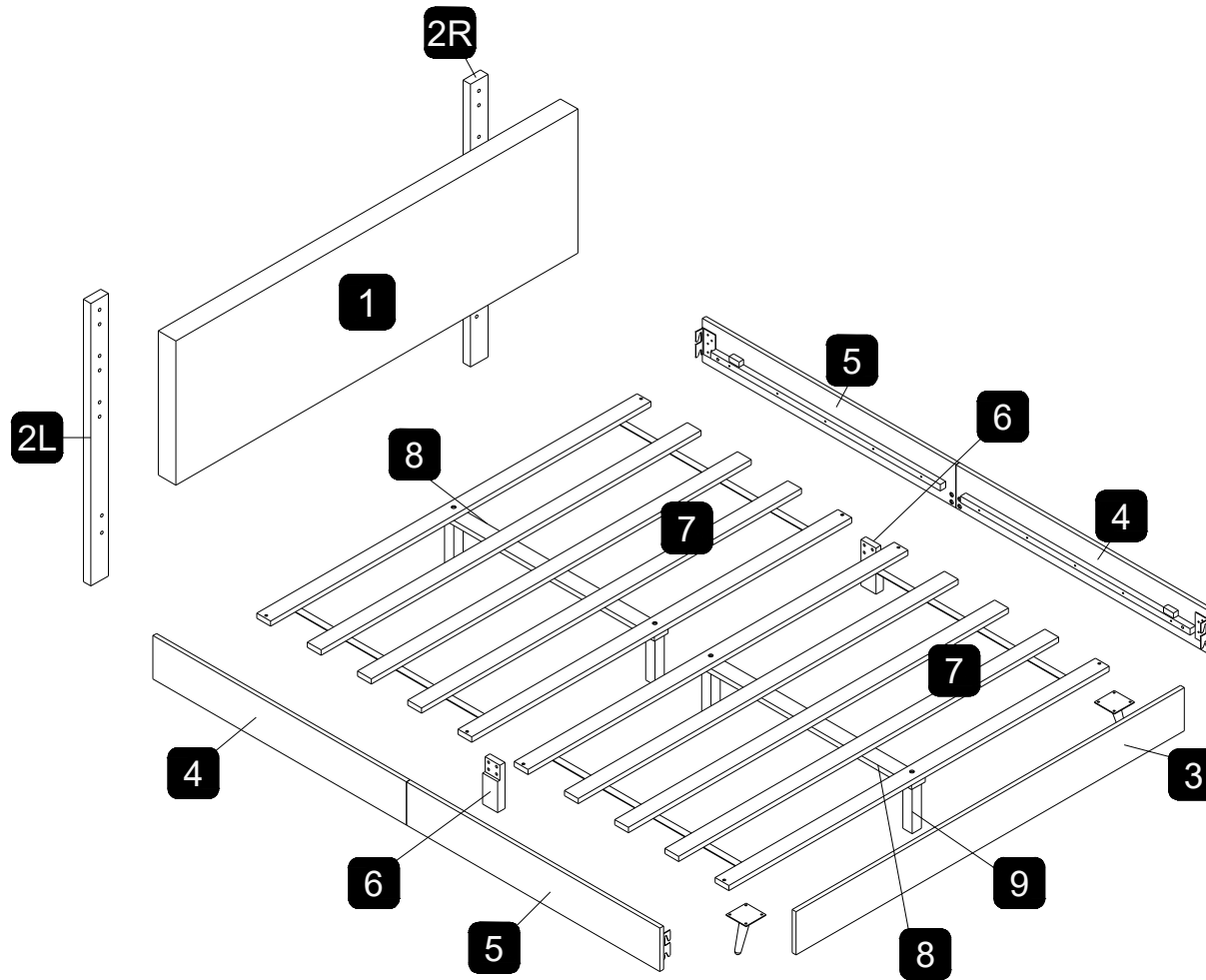


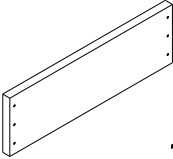
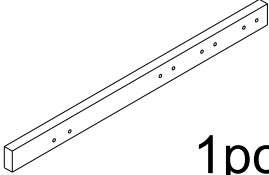
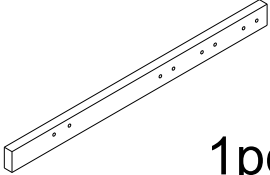
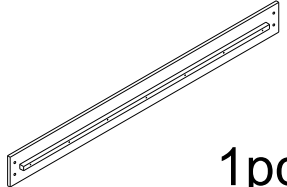
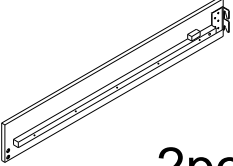
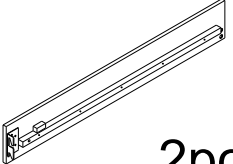
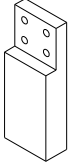
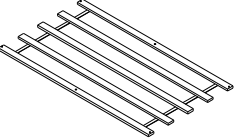
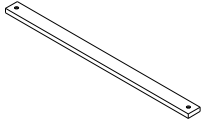

ASSEMBLY INSTRUCTION







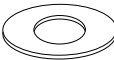




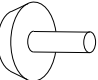
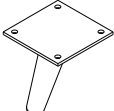
DETAILS VIEW



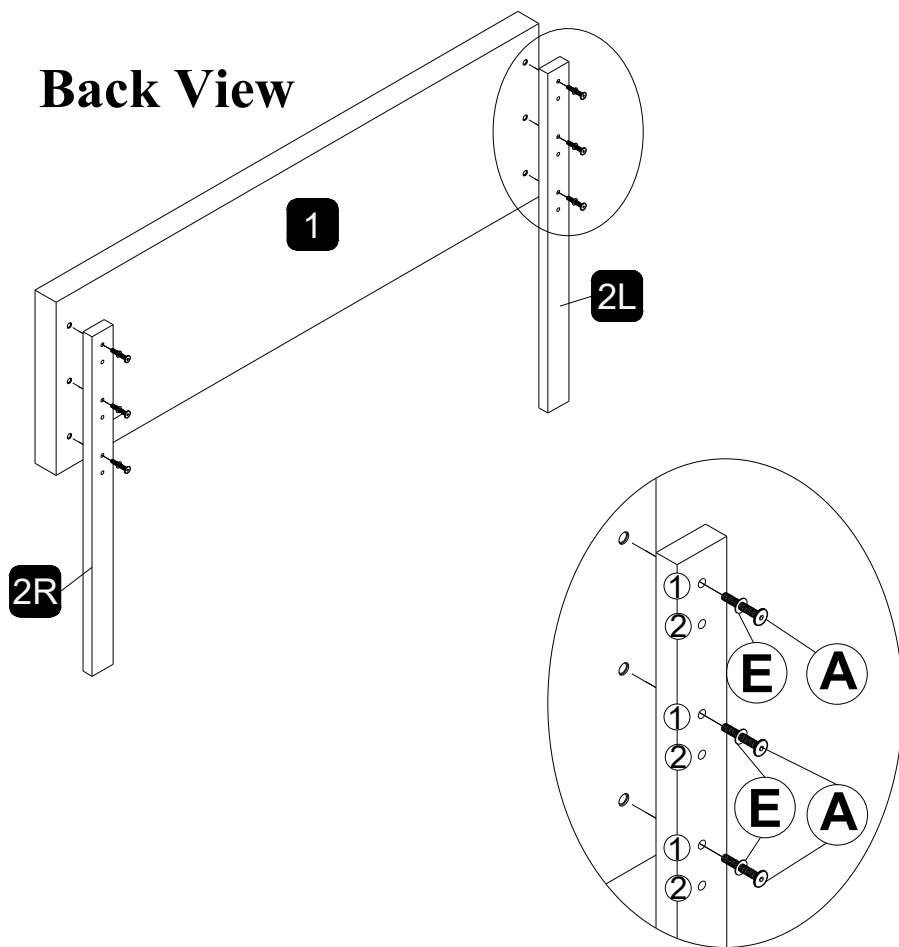
PART LIST

<p>1 Headboard</p>  <p>1pc</p>	<p>2L Headboard Post (Left)</p>  <p>1pc</p>	<p>2R Headboard Post (Right)</p>  <p>1pc</p>	<p>3 Footboard</p>  <p>1pc</p>	<p>4 Side Rail Left</p>  <p>2pcs</p>	<p>5 Side Rail Right</p>  <p>2pcs</p>
<p>6 Side Rail Leg</p>  <p>2pcs</p>	<p>7 Slat</p>  <p>10pcs</p>	<p>8 Center Support</p>  <p>2pcs</p>	<p>9 Support Leg</p>  <p>4pcs</p>		

HARDWARE LIST

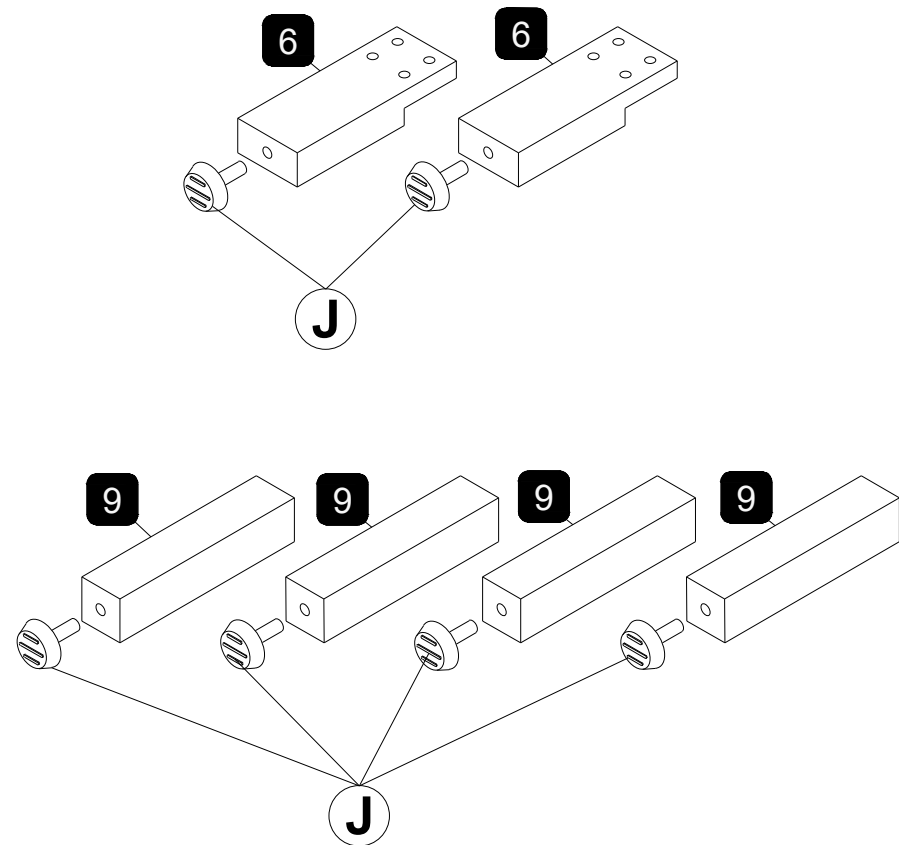
<p>A M8*50MM JCBB</p>  <p>6pcs</p>	<p>B M8*20MM JCBB</p>  <p>8pcs</p>	<p>C M6*50MM JCBC</p>  <p>4pcs</p>	<p>D M6*30MM JCBC</p>  <p>8pcs</p>	<p>E FLAT WASHER 5/16 22</p>  <p>6pcs</p>	<p>F SCREW M4*25MM</p>  <p>8pcs</p>
<p>G SCREW M3.5*16MM</p>  <p>6pcs</p>	<p>H ALLEN KEY M4</p>  <p>1pc</p>	<p>I ALLEN KEY M5</p>  <p>1pc</p>	<p>J ADJUSTER</p>  <p>6pcs</p>	<p>K FB LEG</p>  <p>2pcs</p>	

STEP 1



Adjustable Headboard:
 12inch mattress, install the (1) holes
 10inch mattress, install the (2) holes

STEP 2



A X 6pcs



E X 6pcs

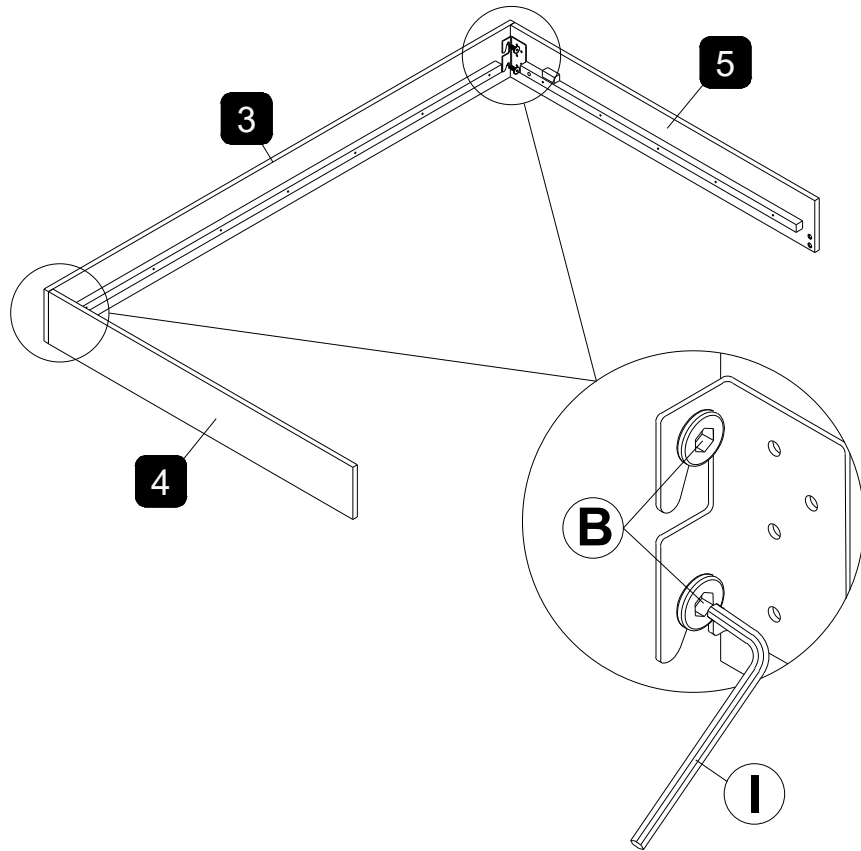


I X 1pc



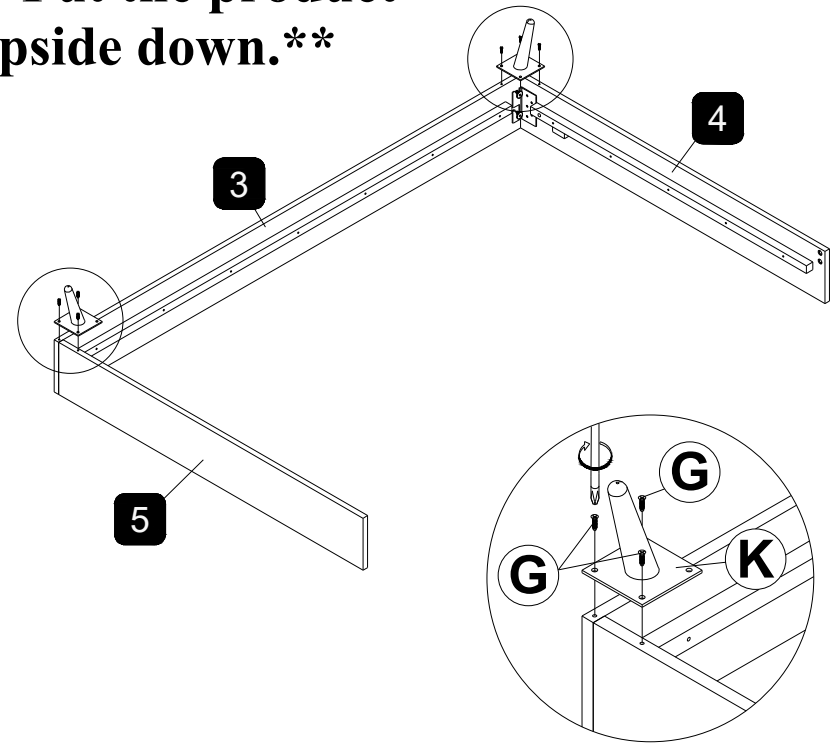
J X 6pcs

STEP 3



STEP 4

****Put the product upside down.****



B X 4pcs



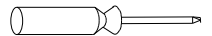
I X 1pc



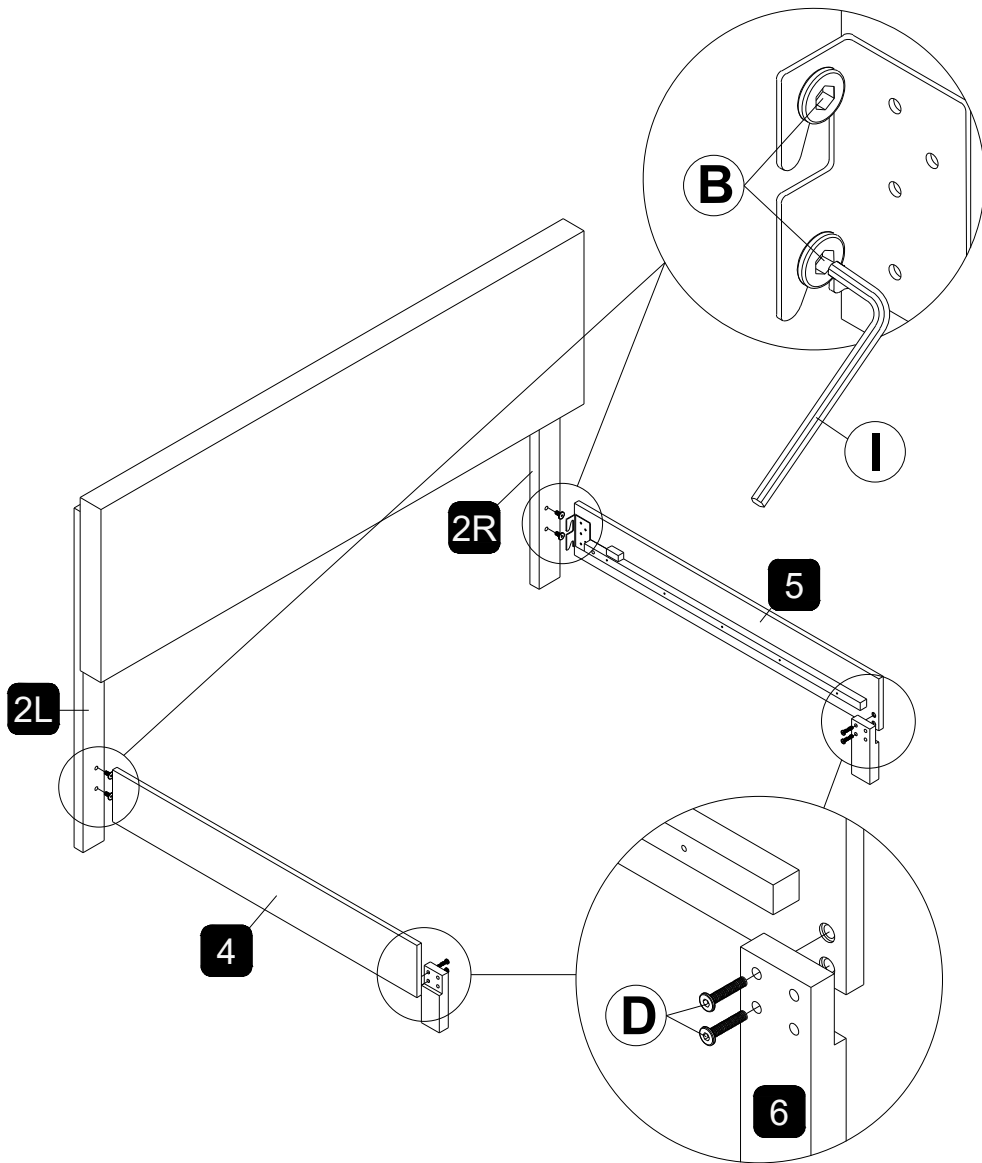
K X 2pcs



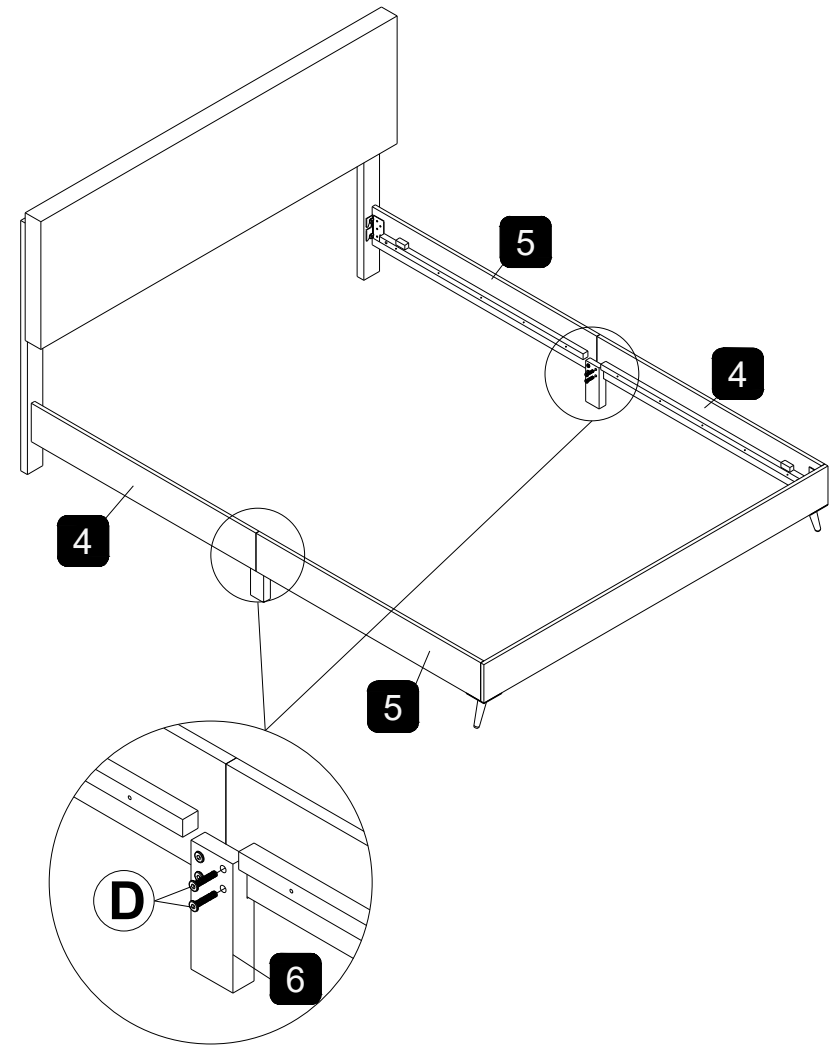
G X 6pcs



STEP 5



STEP 6



B X 4pcs



D X 4pcs



H X 1pc



I X 1pc

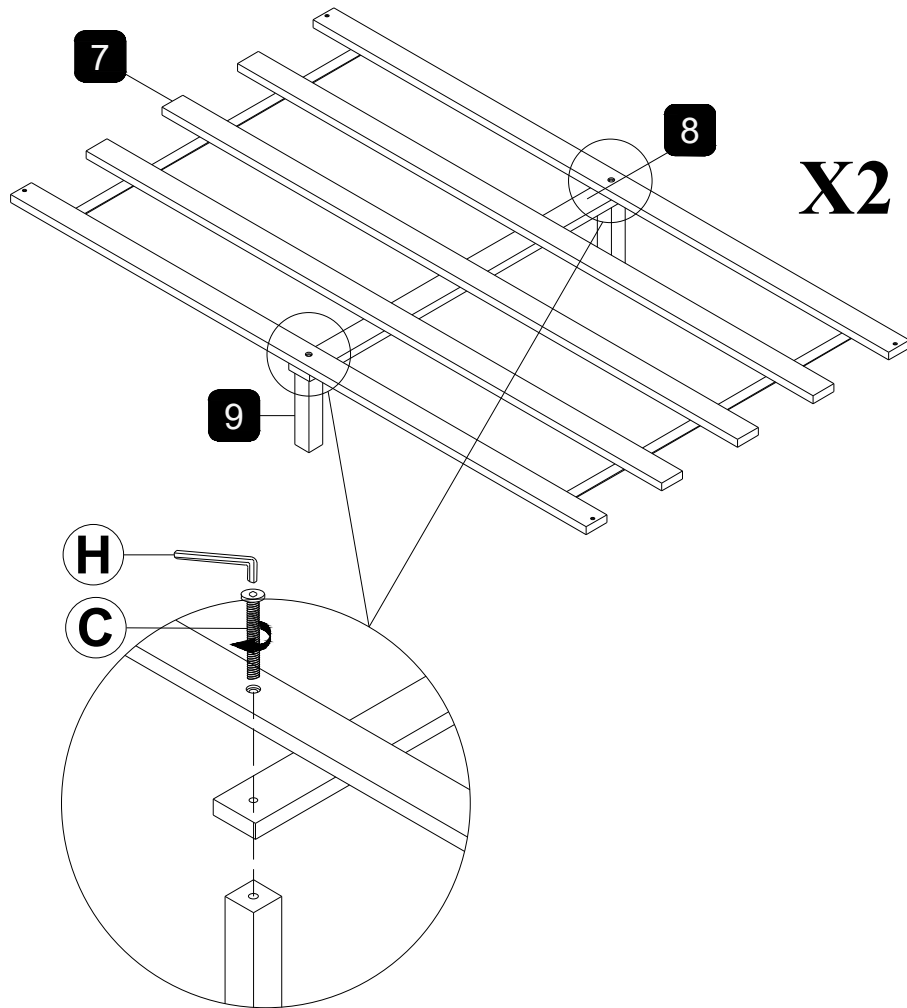


D X 4pcs

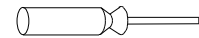
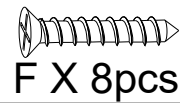
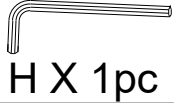
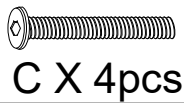
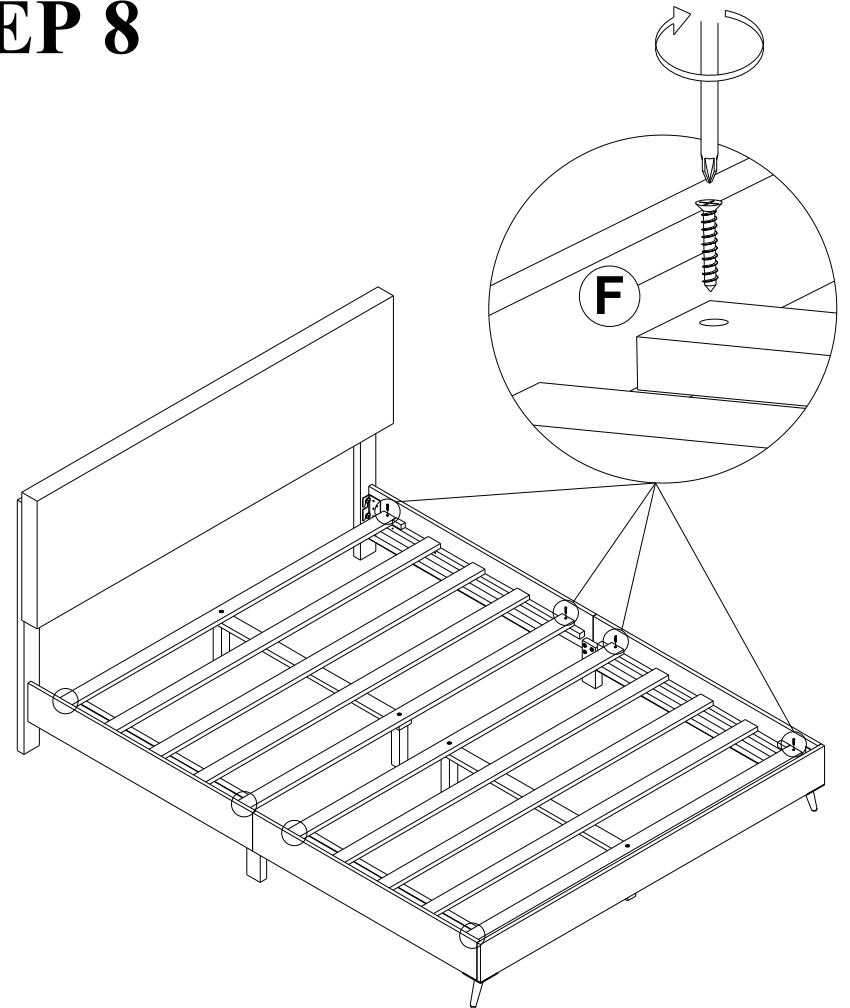


H X 1pc

STEP 7



STEP 8



COMPLETED ASSEMBLY

