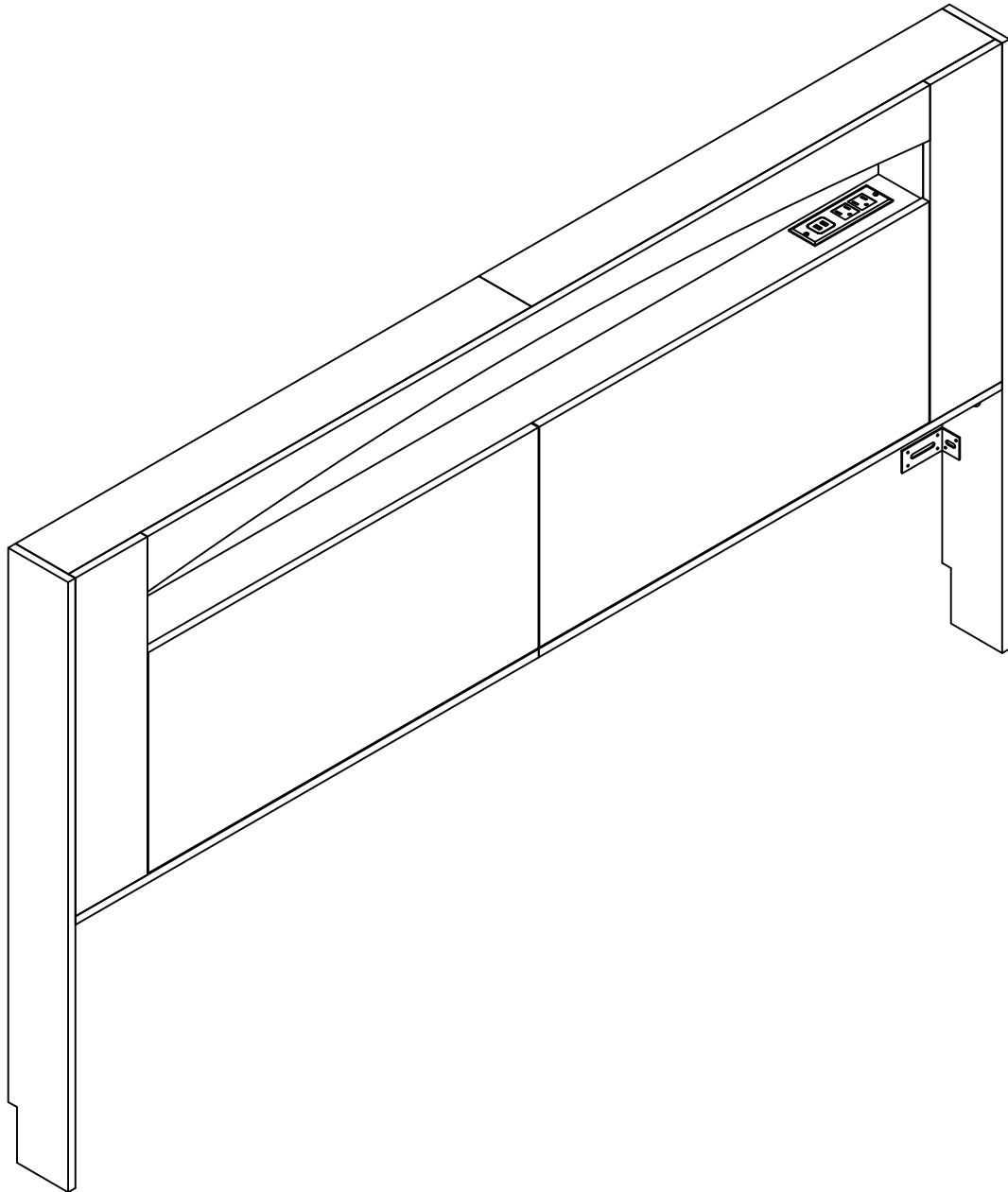


# Installation Guide

## WA060



# Important Safety Instructions

Please read and understand all instructions before assembling, using, or maintaining this product. Failure to follow these instructions may result in serious injury, property damage, or fire.

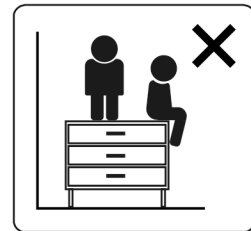
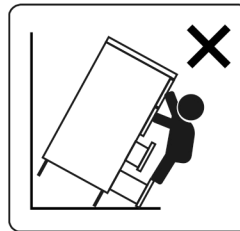
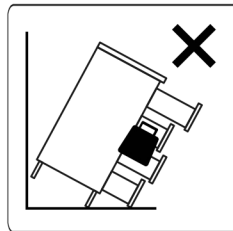
## General Safety Warnings

- **Adult Assembly Required:** This product must be assembled by an adult. Keep children away from the assembly area to prevent accidents.
- **Keep Small Parts Away from Children:** Small parts, such as screws and bolts, can pose a choking hazard. Store them out of children's reach during assembly.
- **Inspect for Damage:** Before assembly, inspect all parts for damage, such as cracks or deformities. Do not use any damaged parts.
- **Use Only Provided Hardware:** Use only the hardware included with this product. Using non-original parts may cause instability or damage.
- **Secure Attachment to Bed Frame:** Follow the assembly instructions carefully to ensure the headboard is securely attached to the bed frame. An improperly attached headboard could tip over, causing injury.
- **No Climbing or Hanging:** Do not climb, stand, or hang objects (e.g., lamps or decorations) from the headboard. It is not designed to support such activities.
- **No Sitting or Standing:** The headboard is not designed to support human weight. Sitting or standing on it may cause damage or tipping.
- **Clear Surrounding Area:** Keep the area around the headboard clear to prevent trips and falls.
- **Periodic Inspection:** Periodically inspect all fasteners and tighten them as needed to maintain stability.
- **Check for Sharp Edges or Splinters:** After assembly, inspect the surface for sharp edges or splinters. Sand down any rough areas as needed to prevent injury.
- **Retain Warning Labels:** Do not remove any warning labels, as they contain important safety information.
- **Supervise Children:** Always supervise children near the headboard to prevent misuse, such as climbing, which could cause injury.

# Electrical Safety Warnings

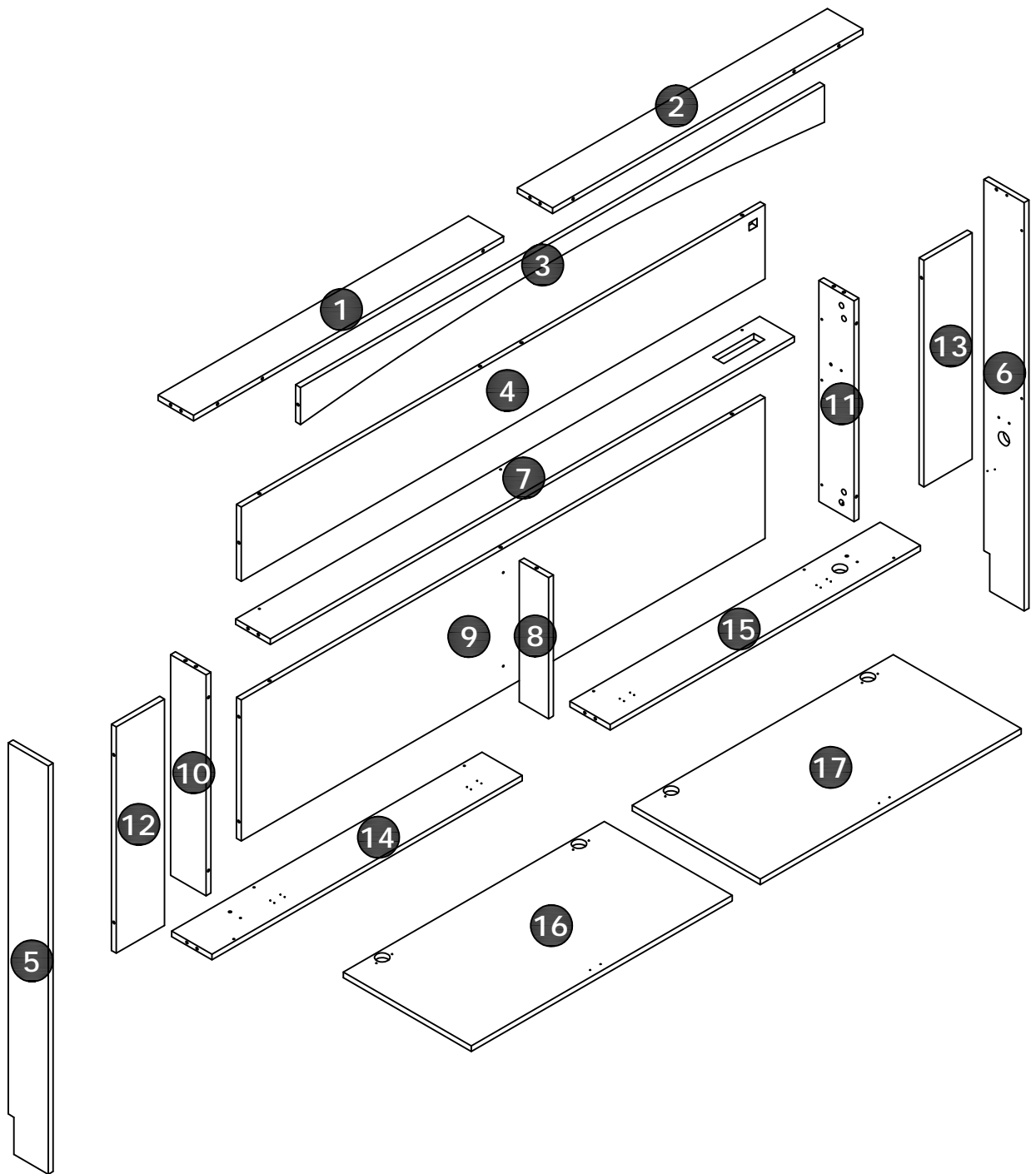
This product contains electrical components, including light strips. Improper use may result in electric shock or fire. Do not disassemble, repair, or modify electrical components yourself. Contact qualified service personnel for assistance.

- **Unplug When Not in Use:** Always unplug the power cord before cleaning, performing maintenance, or leaving the product unused for extended periods.
- **Keep Dry:** Keep the headboard and its electrical components away from water, moisture, and heat sources. Do not use in wet environments.
- **Check Power Cord:** If the power cord is damaged, discontinue use immediately and contact customer service for a replacement.
- **Grounding Requirements:** If grounding is required, ensure the product is properly grounded. Refer to the product label for grounding instructions.
- **Eye Safety:** Avoid direct eye exposure to the light source, especially for prolonged periods, to prevent discomfort or potential eye strain.
- **Keep Away from Flammable Materials:** Ensure the light strips are not in contact with flammable materials, such as bedding or curtains, to minimize fire risk.

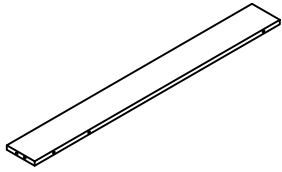


**Thank you for choosing our product. We hope you enjoy your new furniture!**

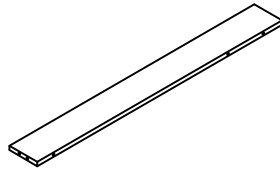
# Exploded View



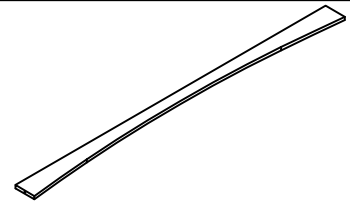
# Parts List



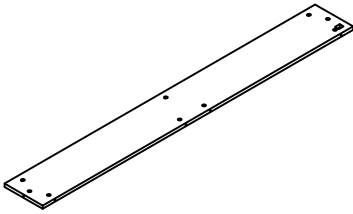
1 x1



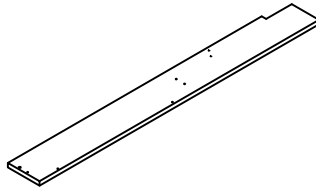
2 x1



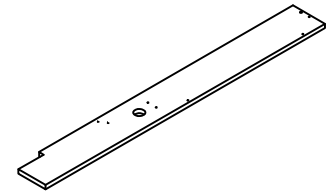
3 x1



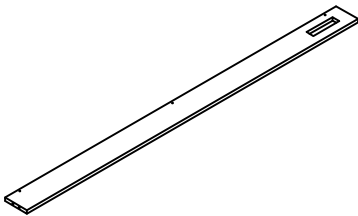
4 x1



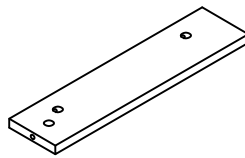
5 x1



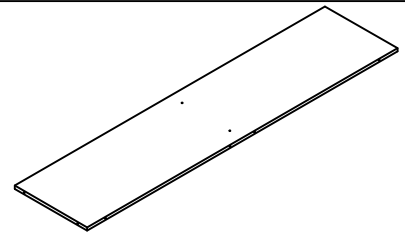
6 x1



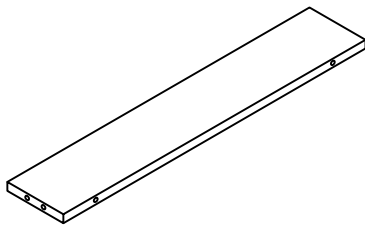
7 x1



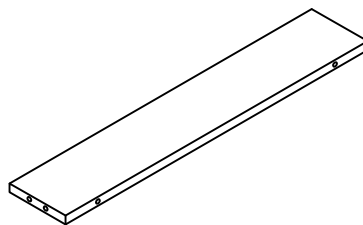
8 x1



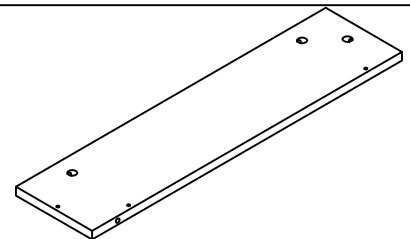
9 x1



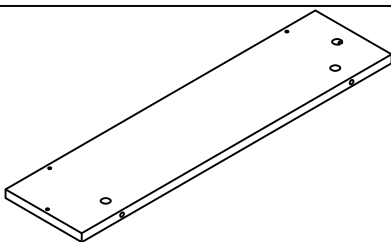
10 x1



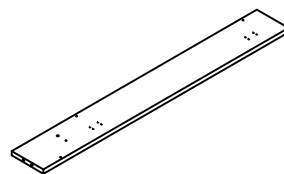
11 x1



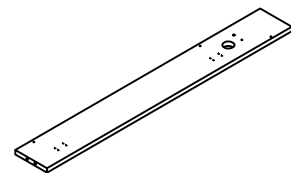
12 x1



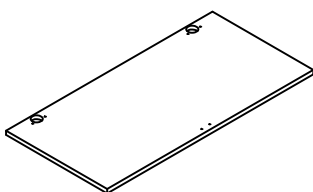
13 x1



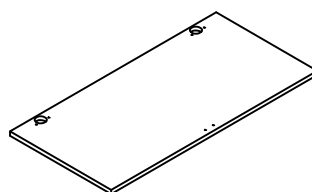
14 x1



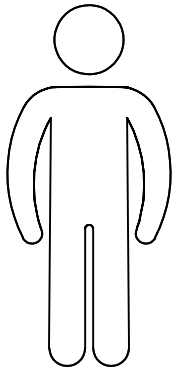
15 x1



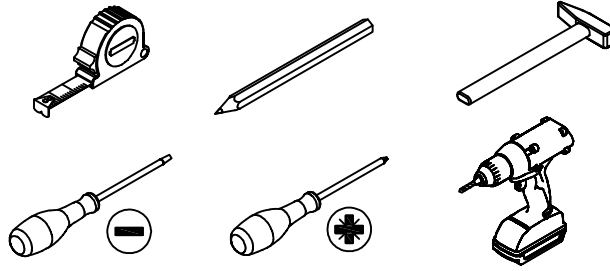
16 x1



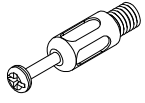
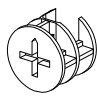
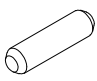

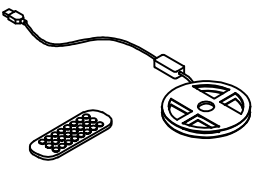
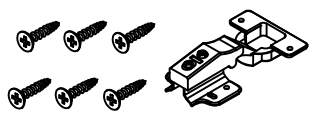
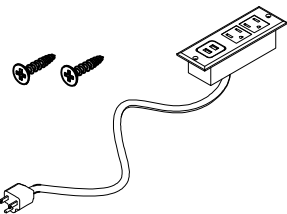
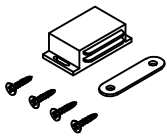
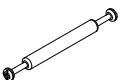
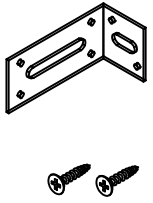

17 x1



Please prepare the following tools



## Hardware List

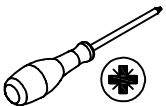
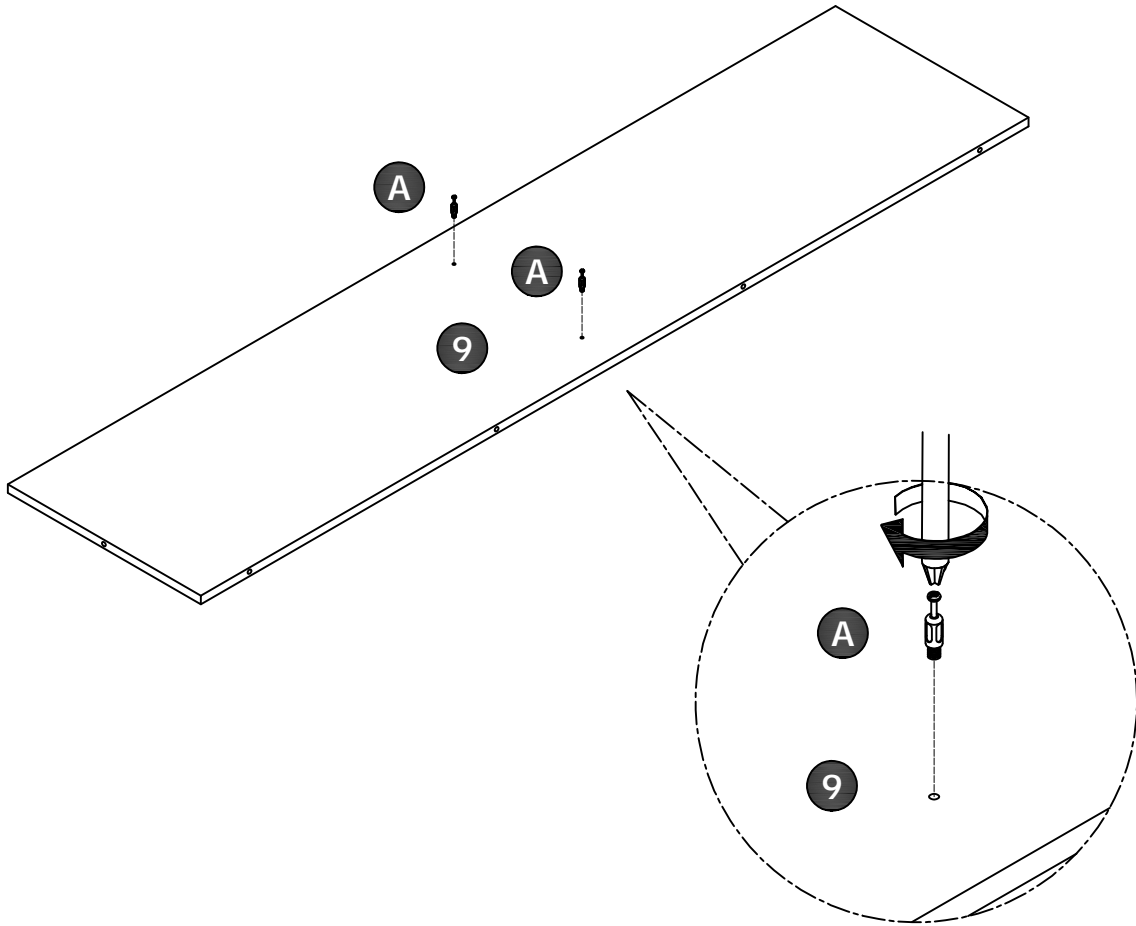
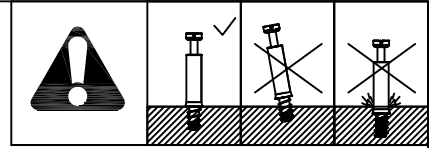
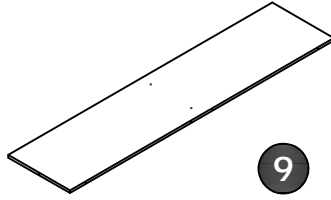
 M6*35mm	 Ø12*10mm	 Ø8*30mm	
<b>A</b> x49	<b>B</b> x55	<b>C</b> x12	<b>D</b> x1
			
<b>E</b> x1	<b>F</b> x4	<b>G</b> x1	<b>H</b> x2
			
<b>I</b> x3	<b>J</b> x3	<b>K</b> x3	

1

A x 2



M6\*35mm

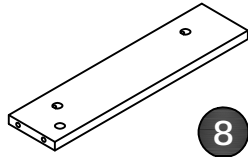


2

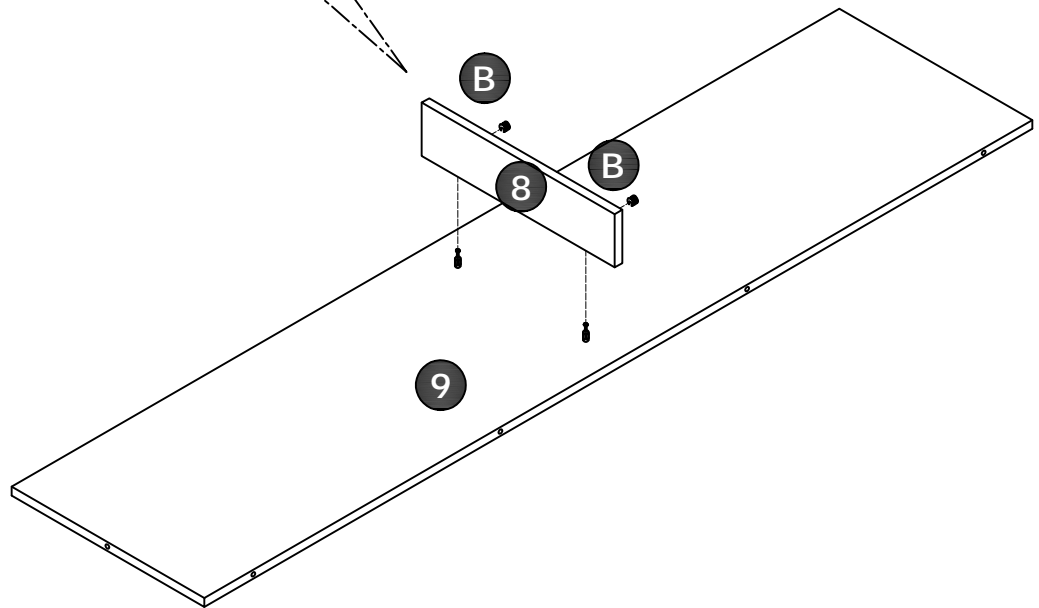
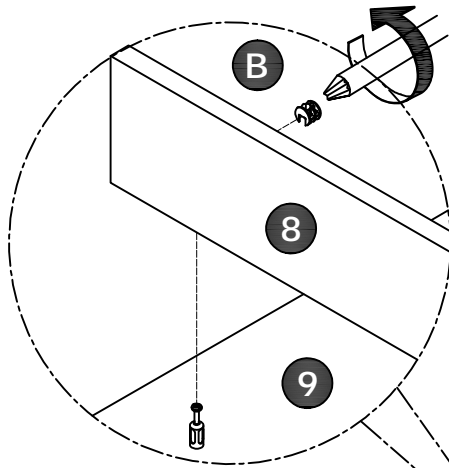
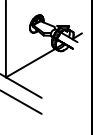
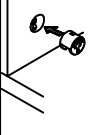
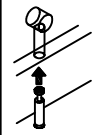
B x 2



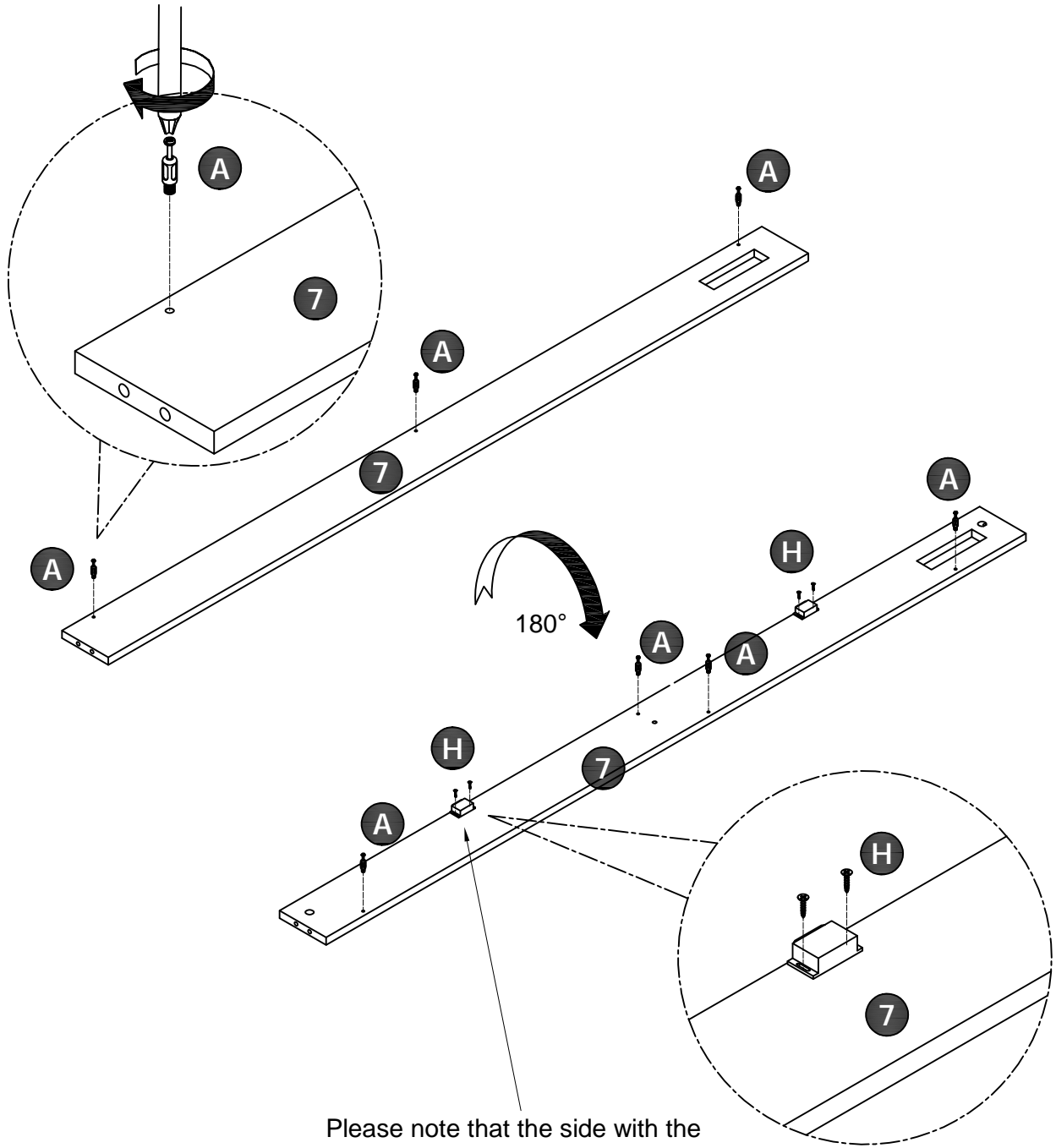
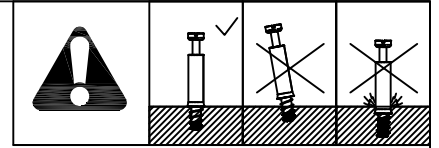
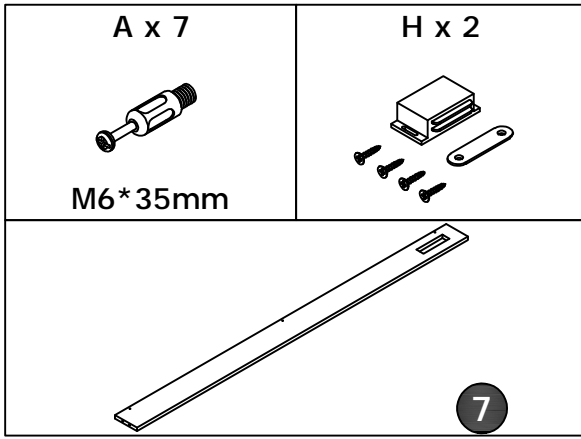
Ø12\*10mm



8


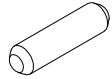
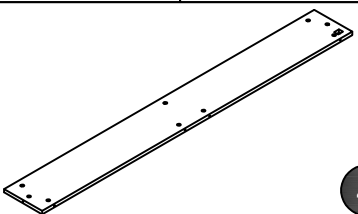


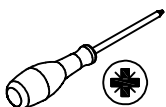
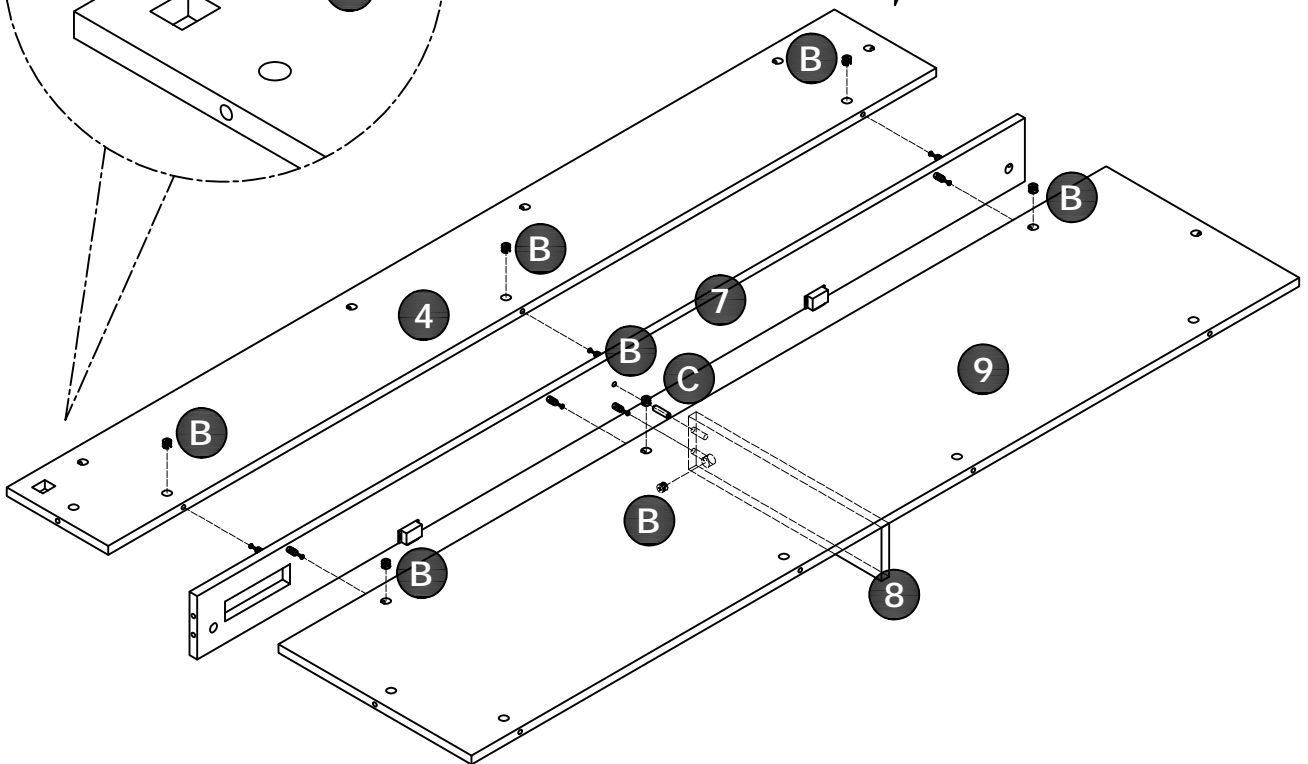
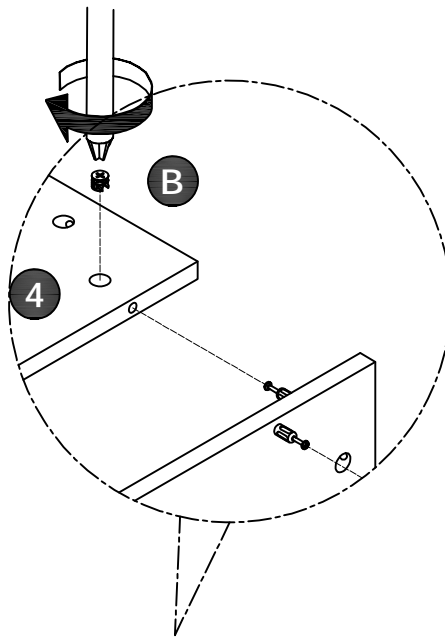
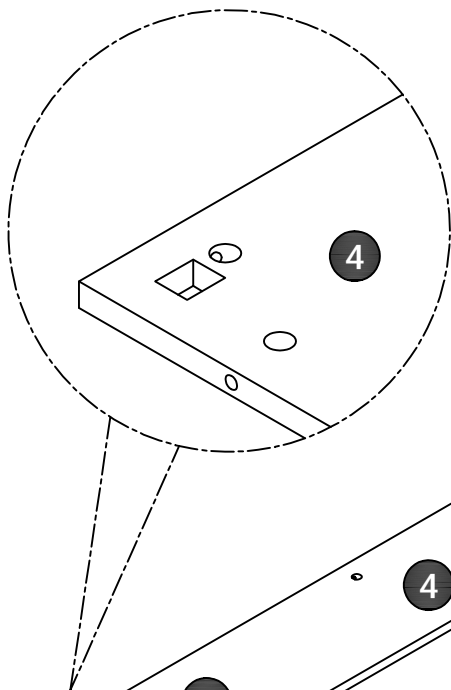
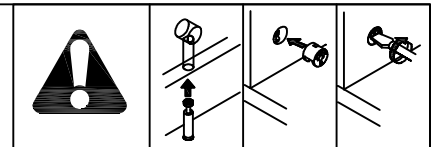
# 3



Please note that the side with the magnet should face outward.

# 4

<b>B x 7</b>  <b>Ø12*10mm</b>	<b>C x 1</b>  <b>Ø8*30mm</b>
 <b>4</b>	

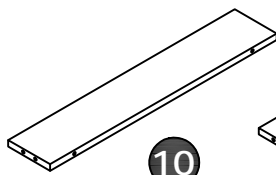


5

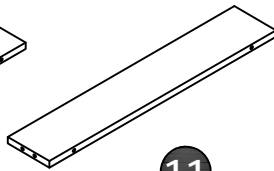
A x 6



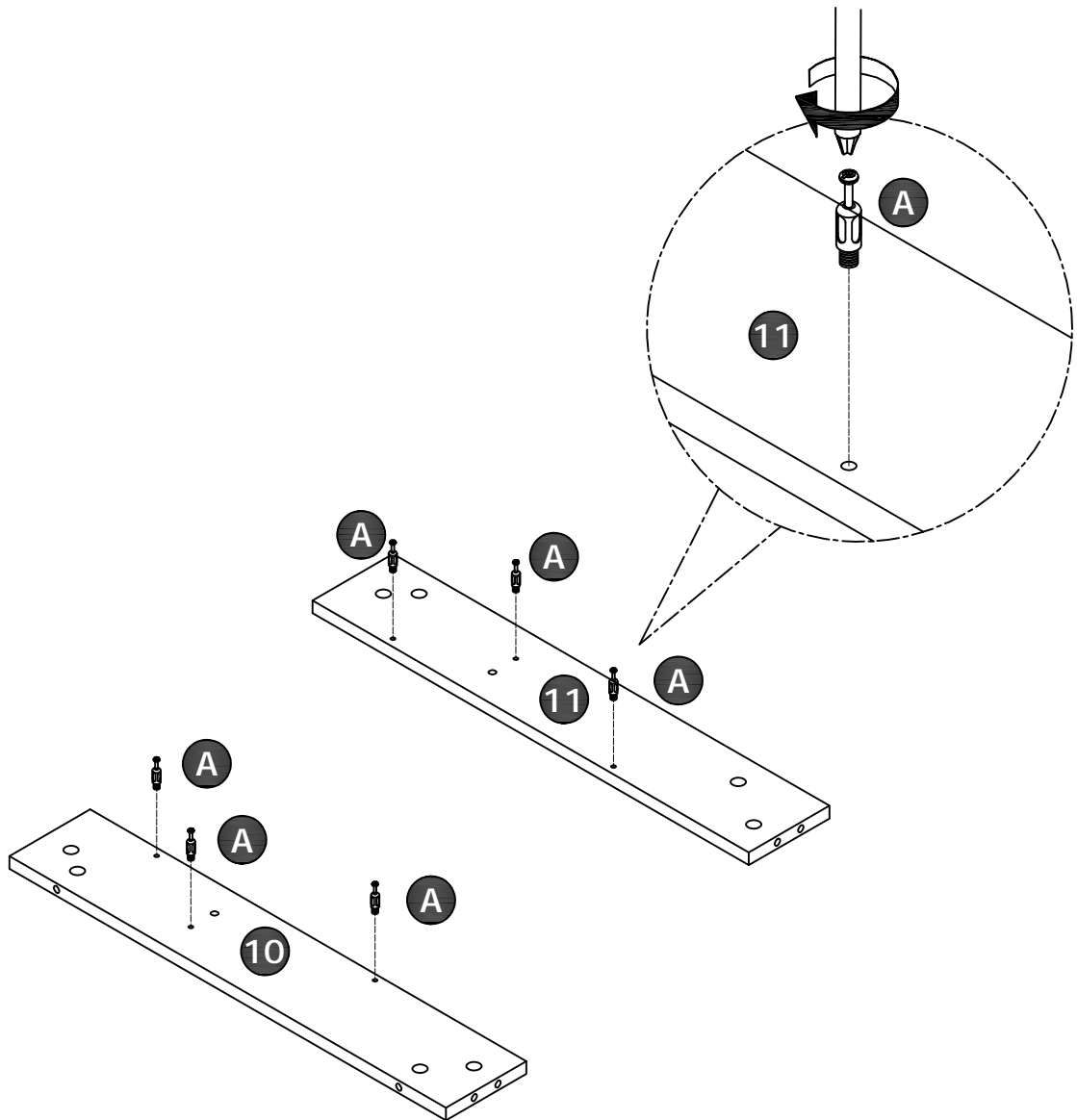
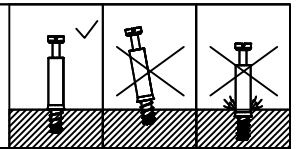
M6\*35mm




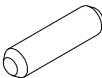
10

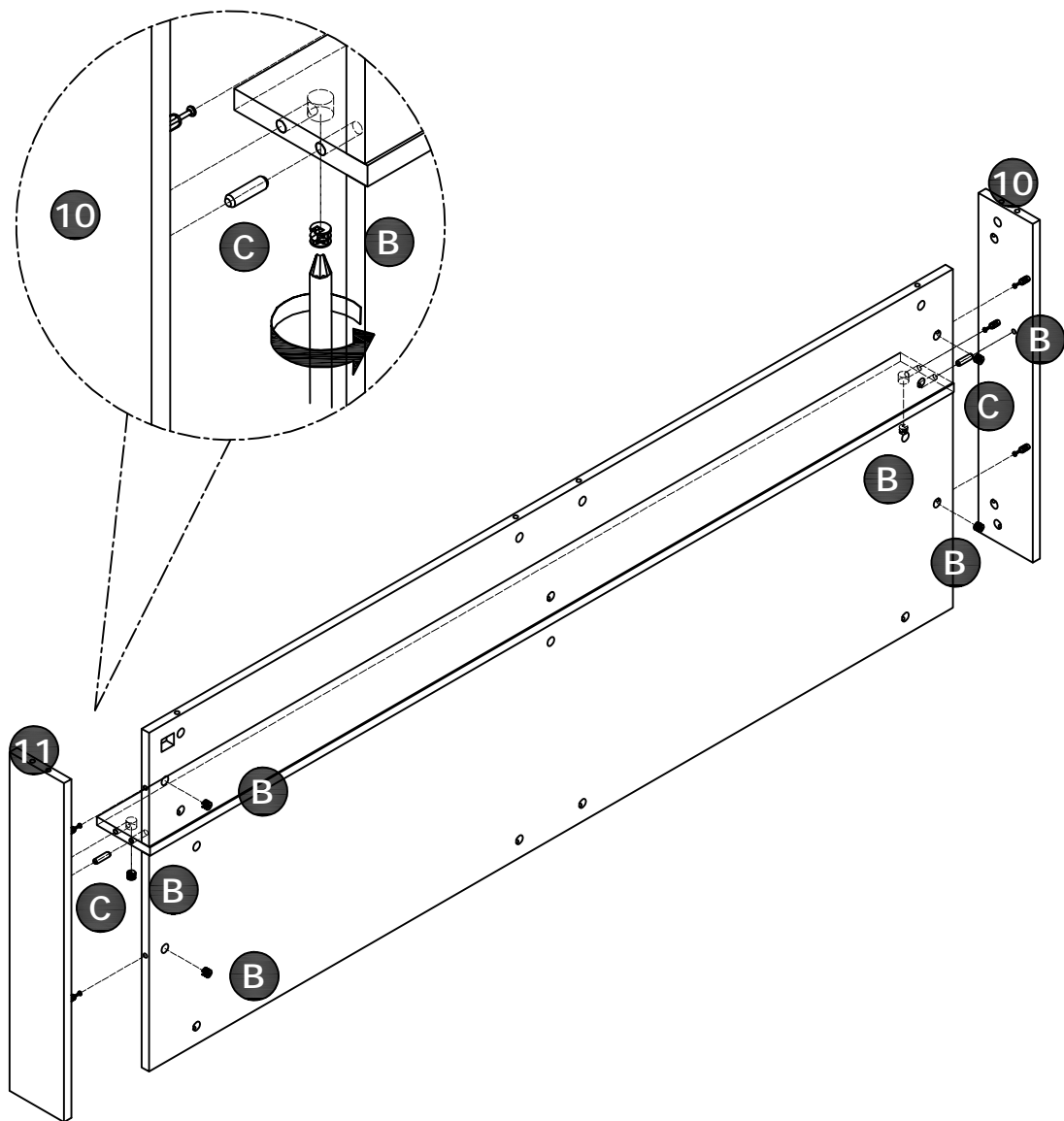
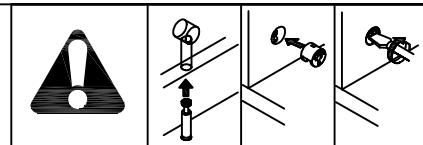


11

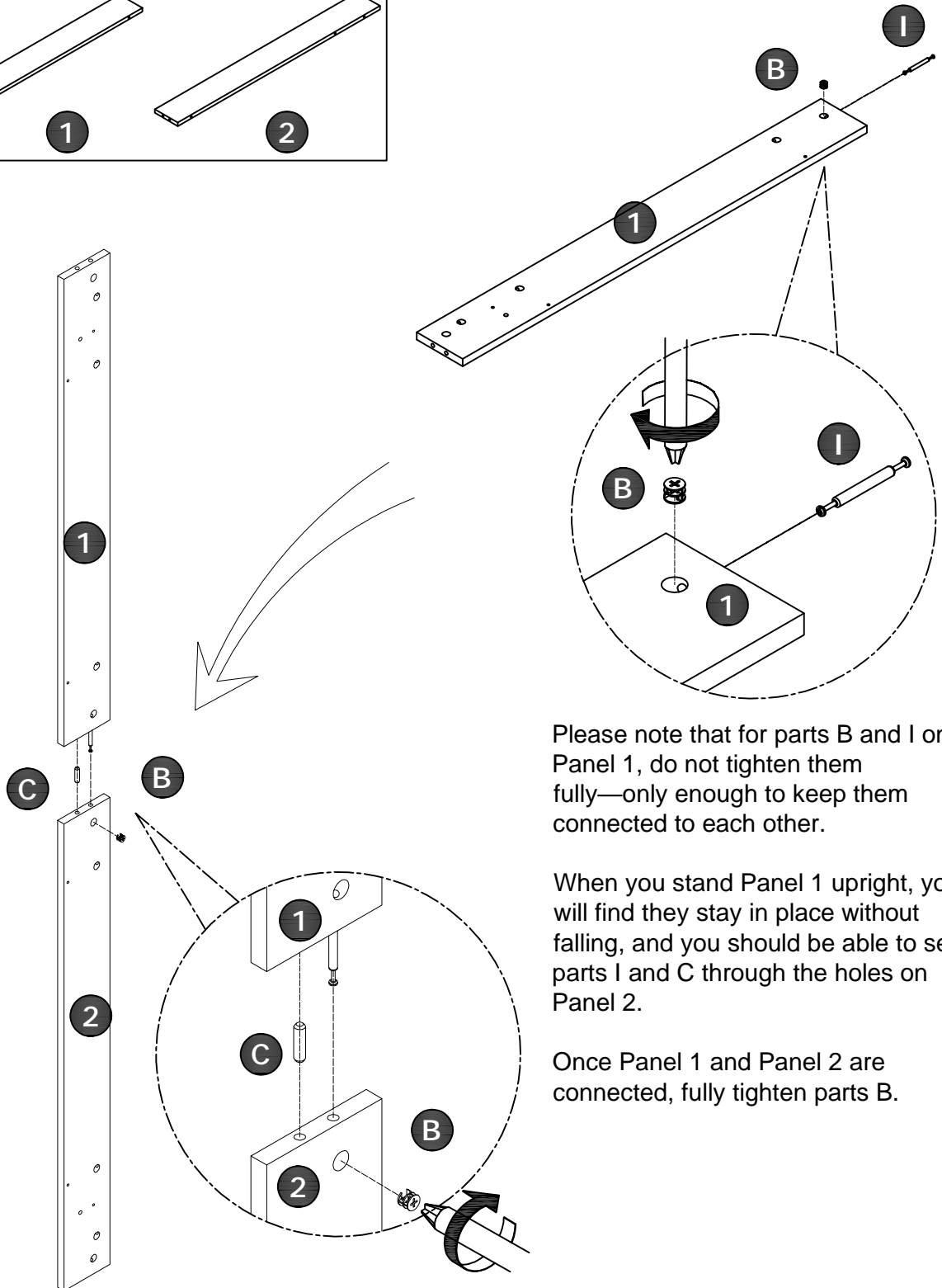
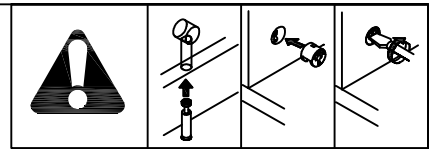
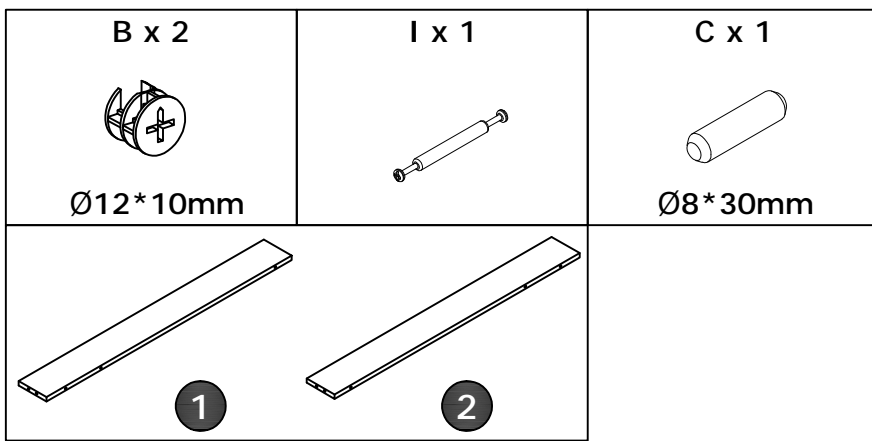


6

<p>B x 6</p>  <p>Ø12*10mm</p>	<p>C x 2</p>  <p>Ø8*30mm</p>
--	---



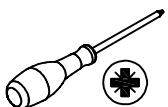
# 7



Please note that for parts B and I on Panel 1, do not tighten them fully—only enough to keep them connected to each other.

When you stand Panel 1 upright, you will find they stay in place without falling, and you should be able to see parts I and C through the holes on Panel 2.

Once Panel 1 and Panel 2 are connected, fully tighten parts B.

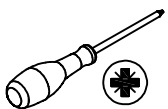
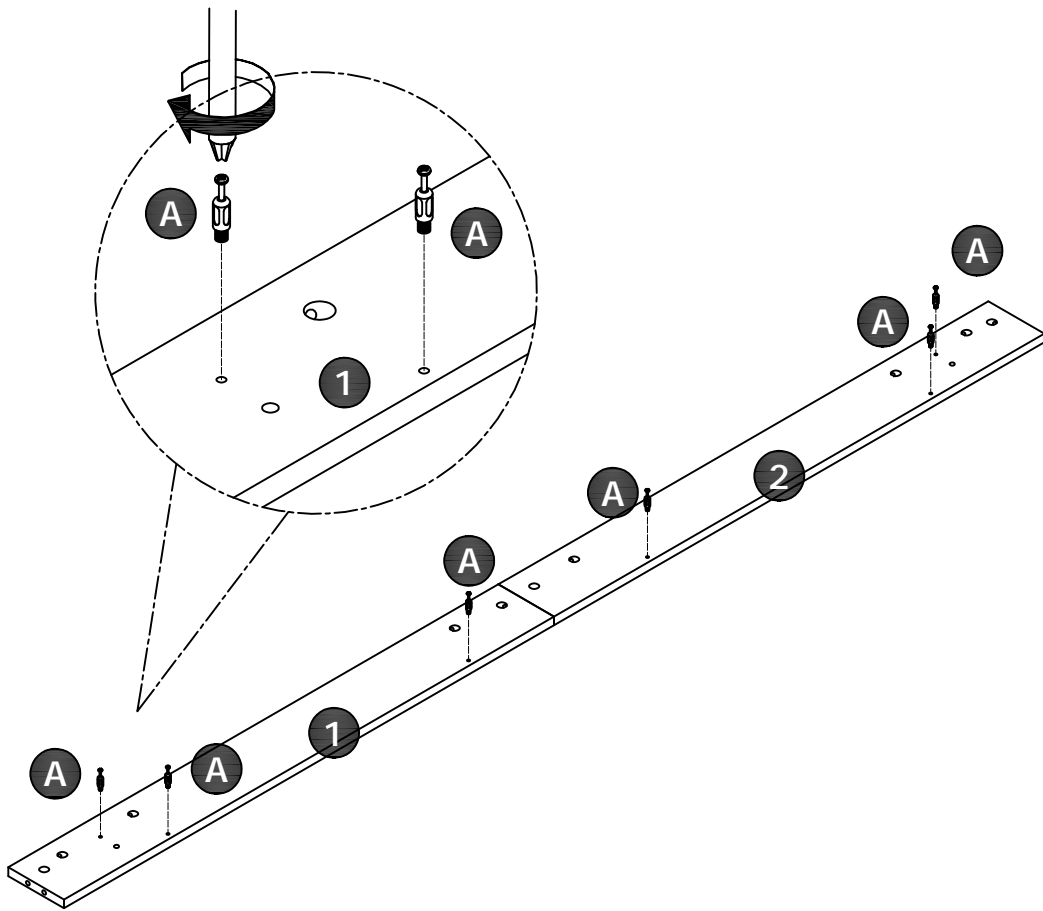
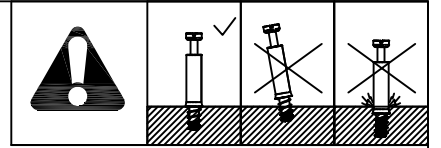


8


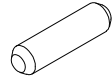
A x 6

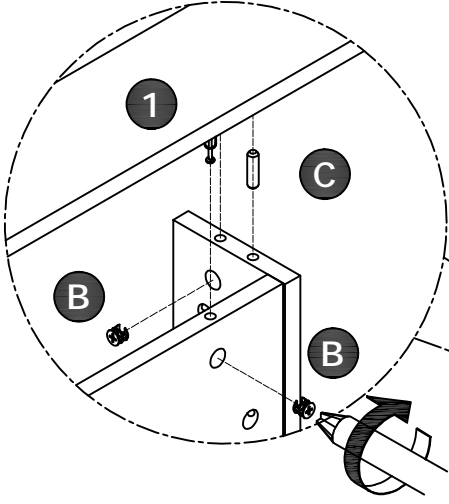
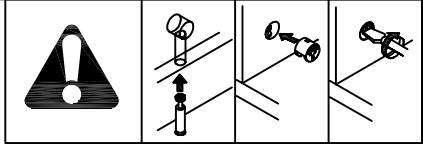


M6\*35mm

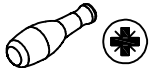
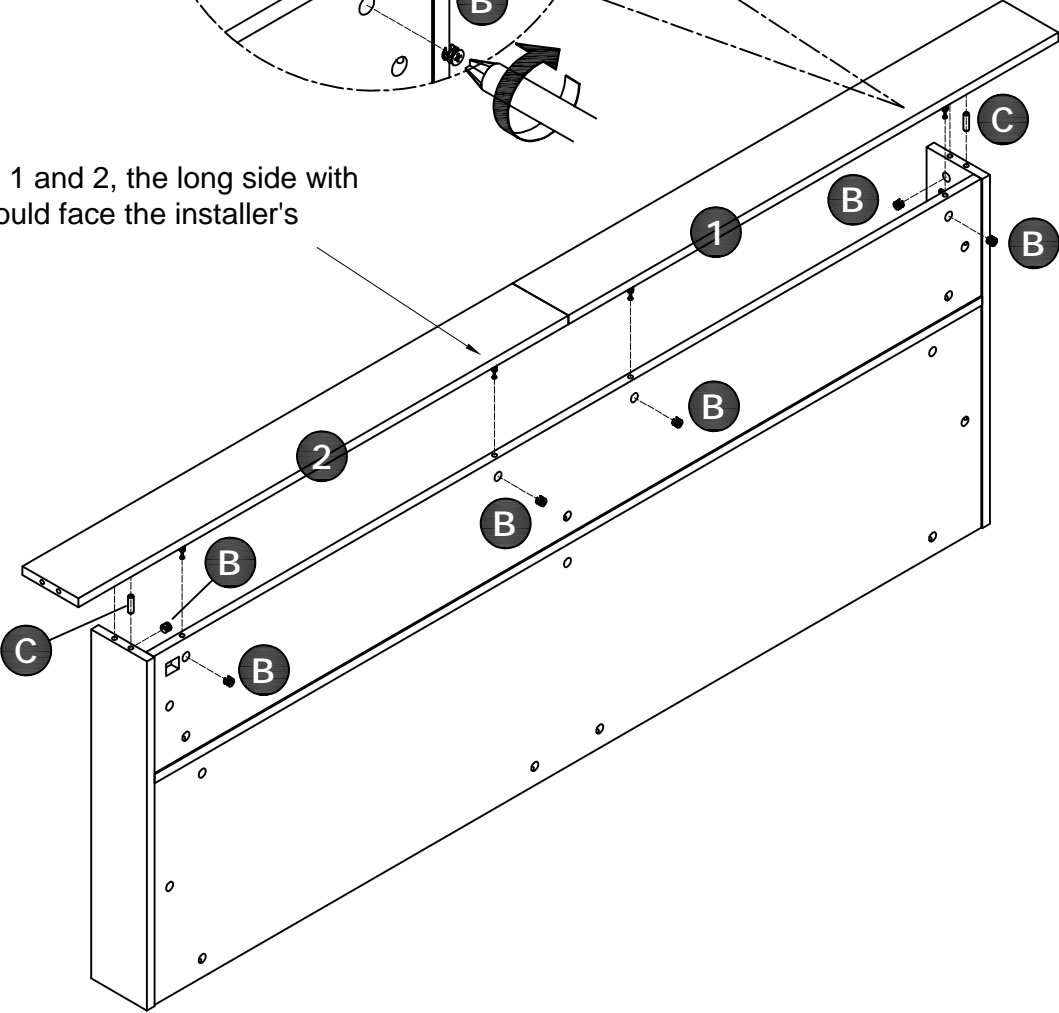


# 9

<b>B x 6</b>  <b>Ø12*10mm</b>	<b>C x 2</b>  <b>Ø8*30mm</b>
--	---

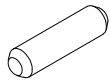


For Panels 1 and 2, the long side with 6 holes should face the installer's outer side.

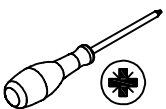
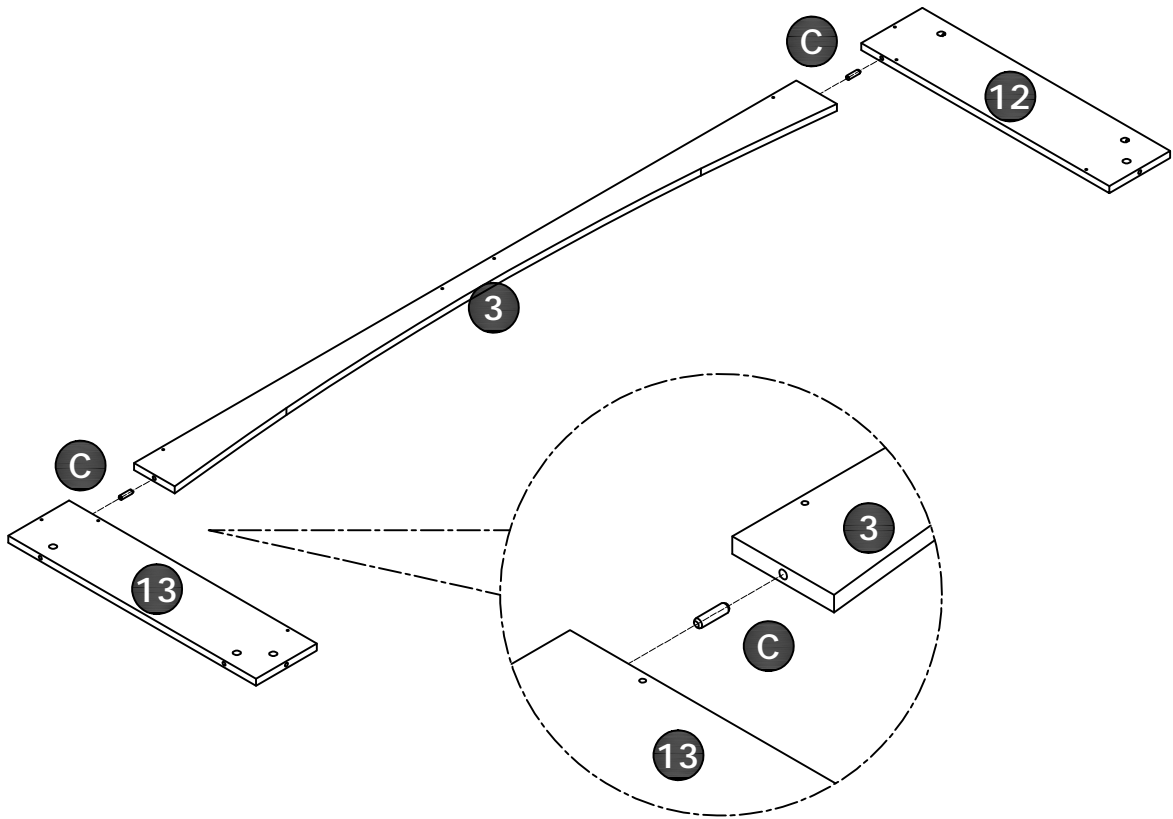
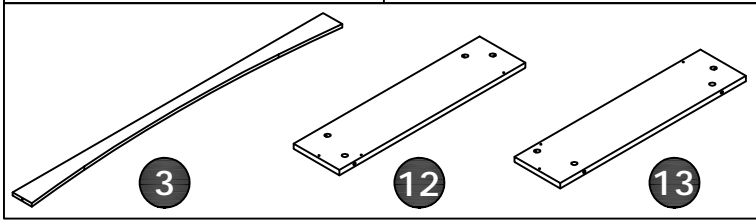
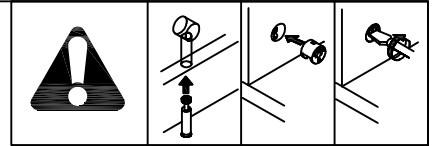


# 10

C x 2



Ø8\*30mm

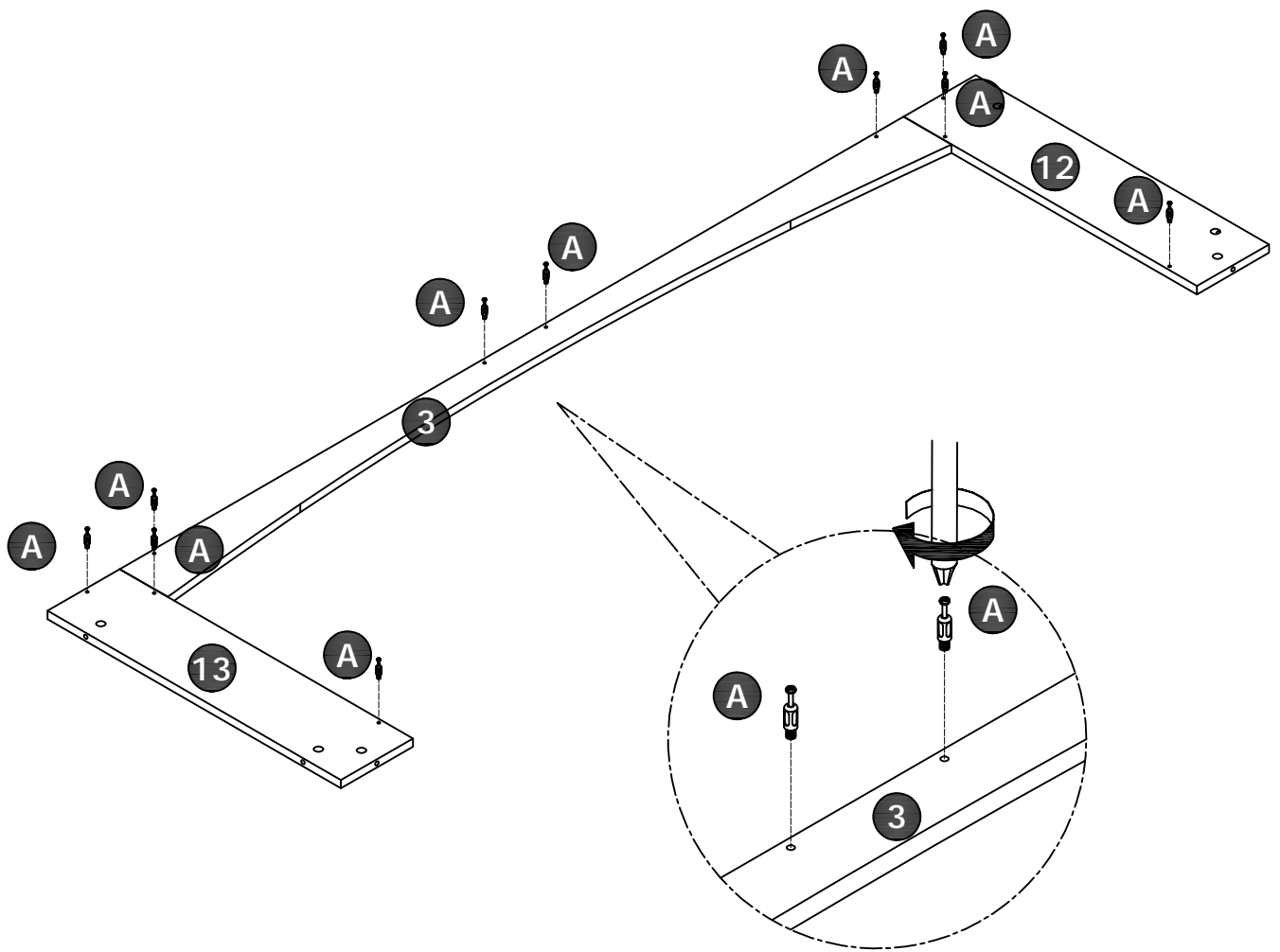
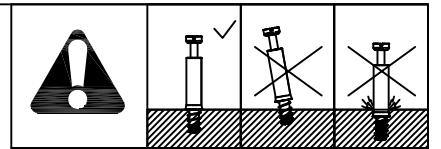


# 11

A x 10



M6\*35mm

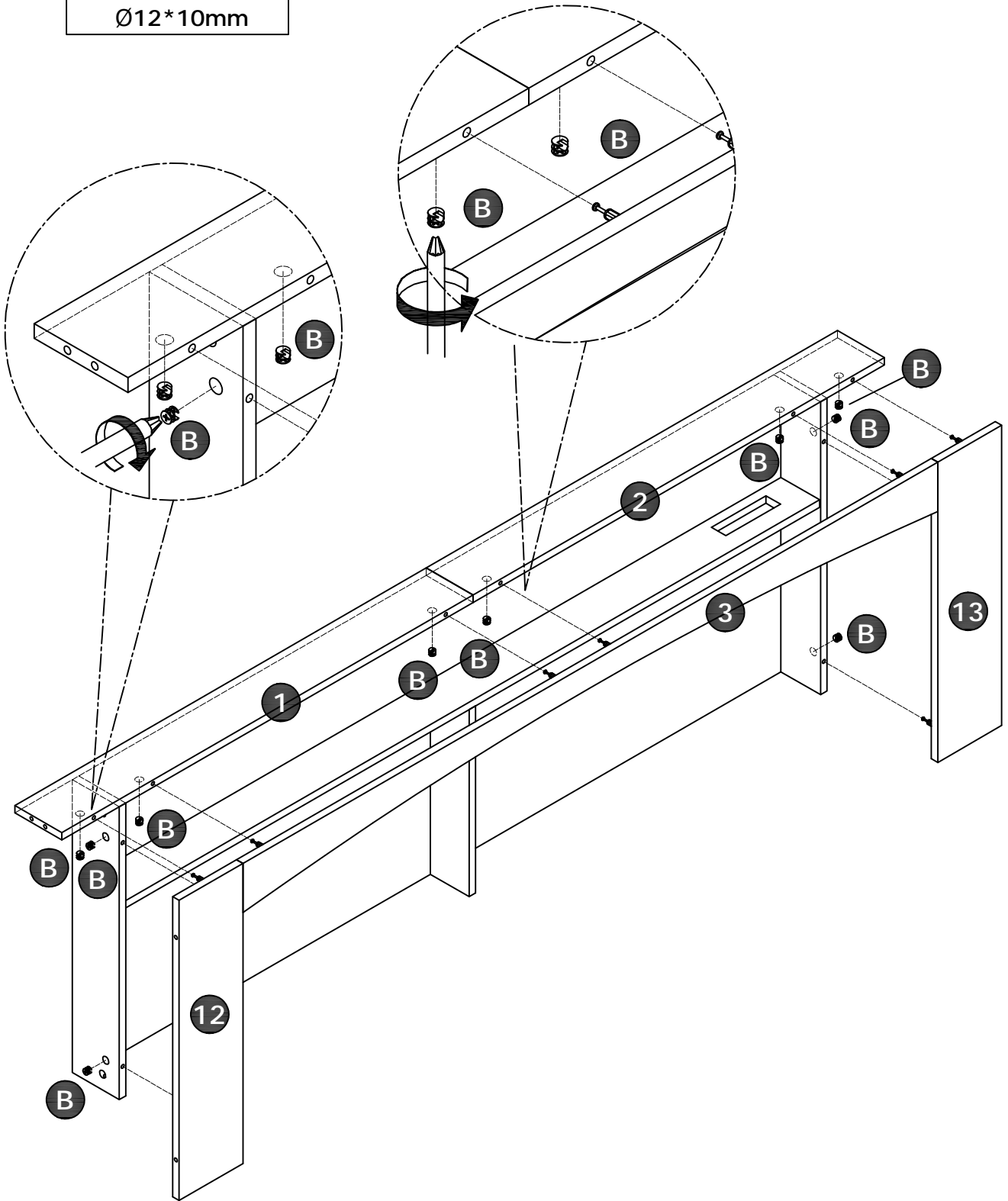
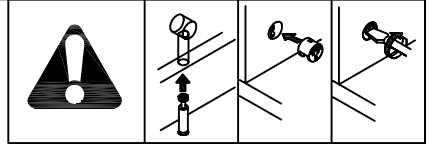


# 12

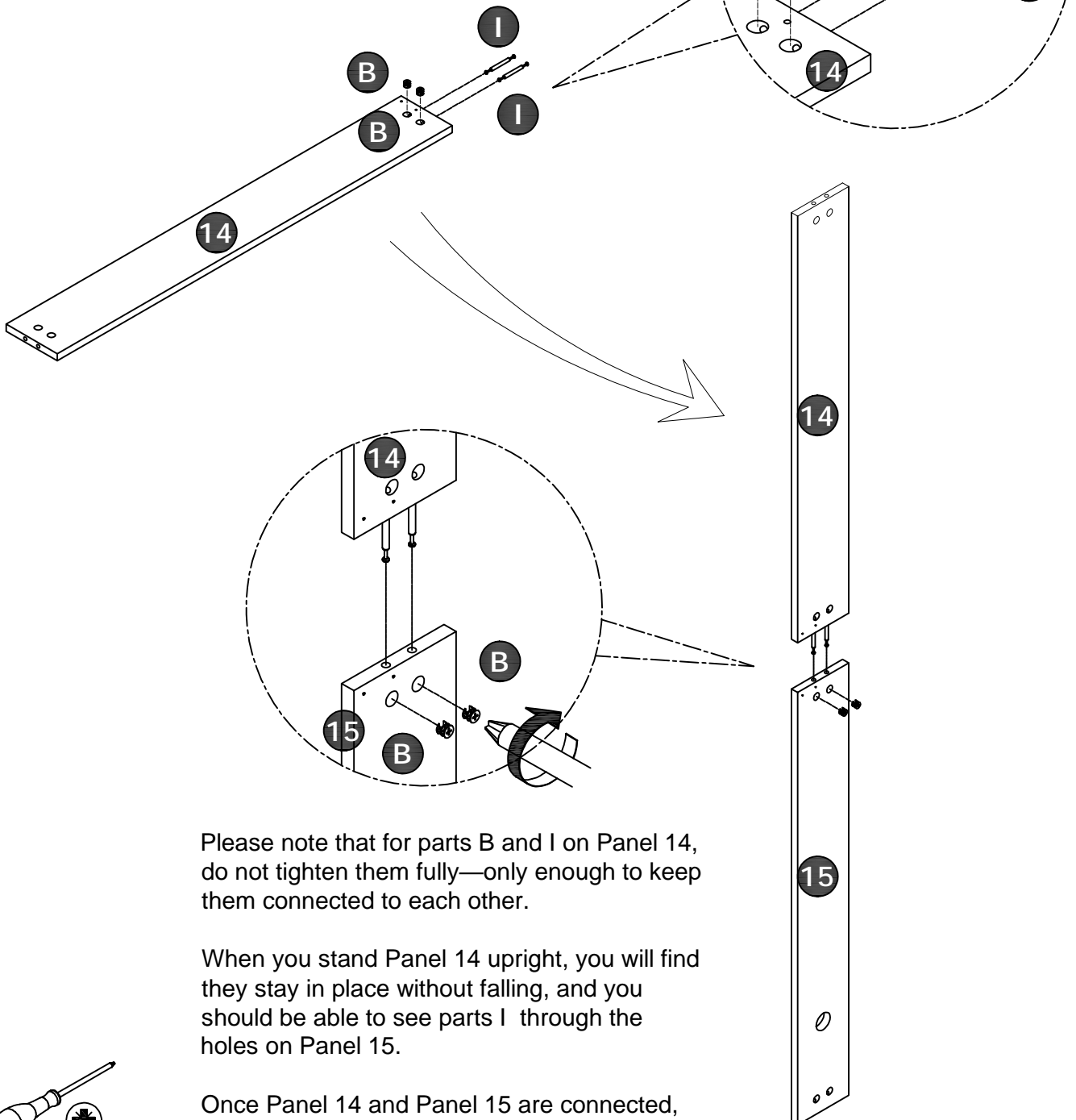
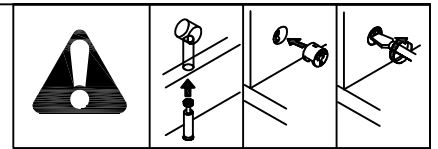
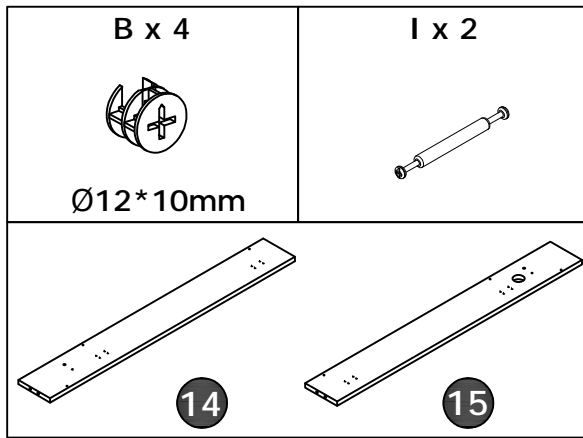
B x 10



Ø12\*10mm



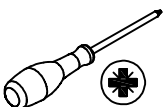
# 13



Please note that for parts B and I on Panel 14, do not tighten them fully—only enough to keep them connected to each other.

When you stand Panel 14 upright, you will find they stay in place without falling, and you should be able to see parts I through the holes on Panel 15.

Once Panel 14 and Panel 15 are connected, fully tighten parts B.

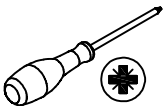
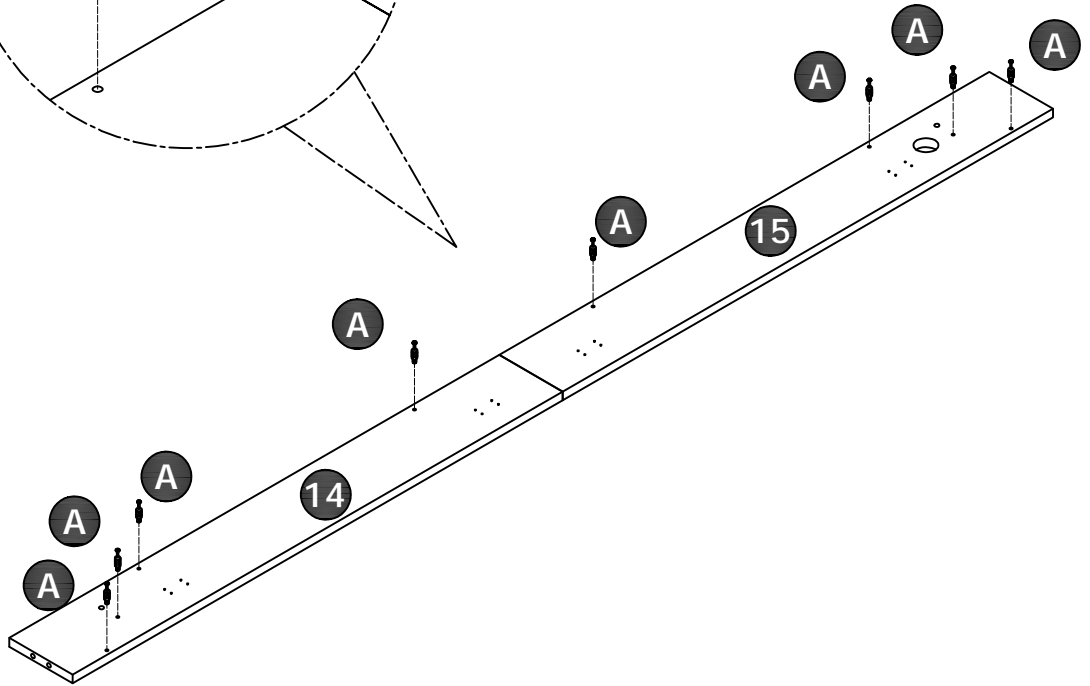
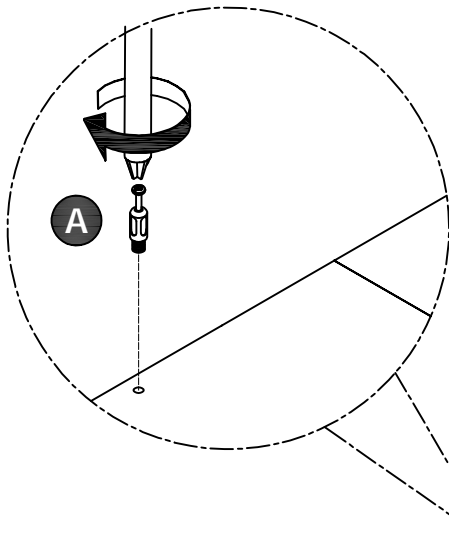
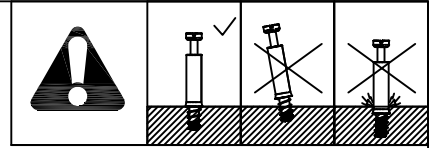


# 14

A x 8



M6\*35mm



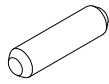
# 15

B x 8

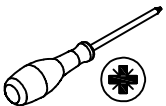
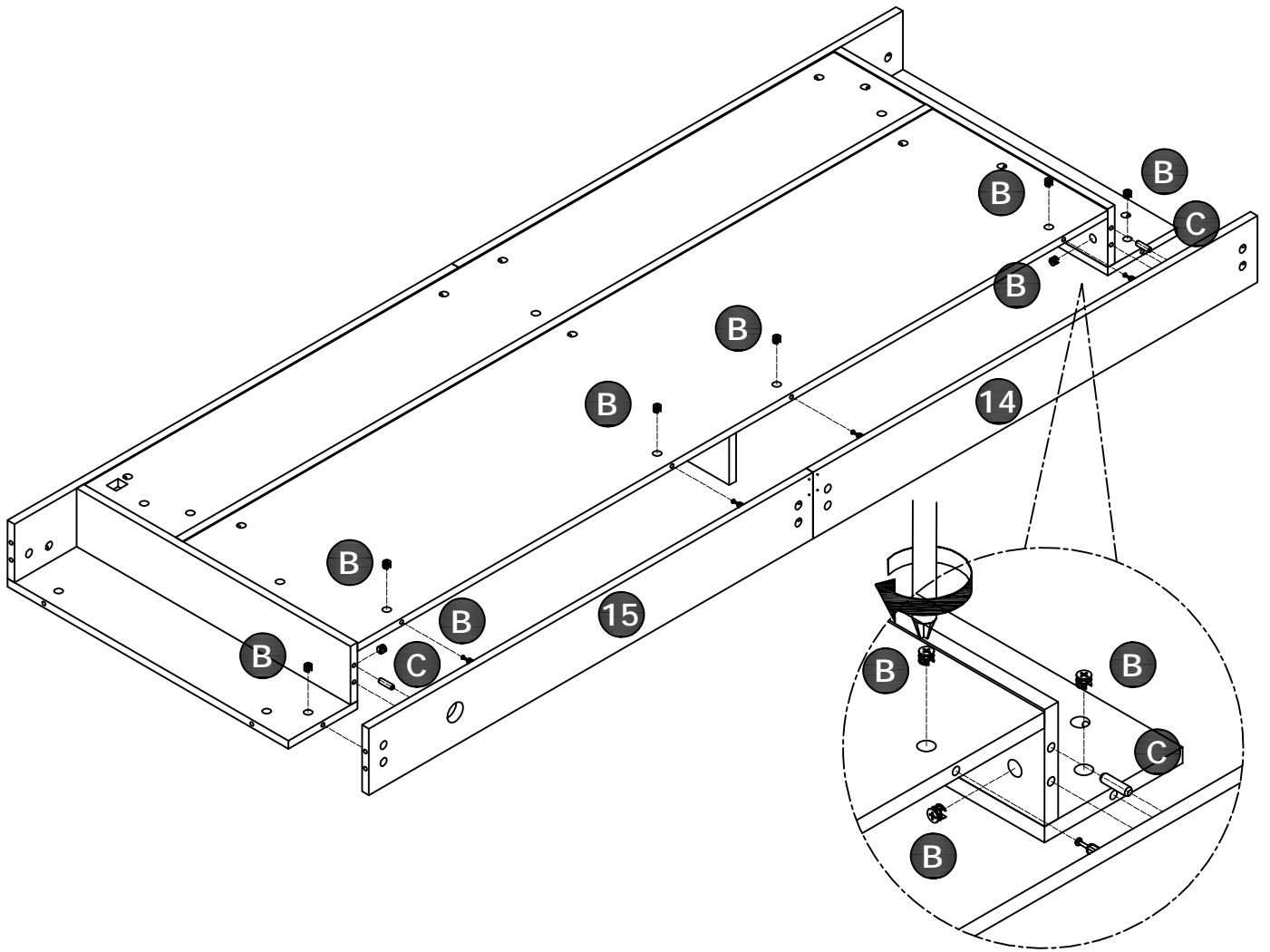
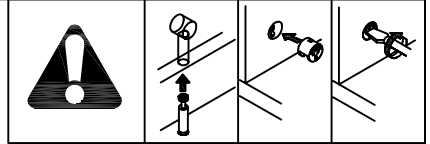


Ø12\*10mm

C x 2

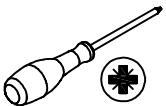
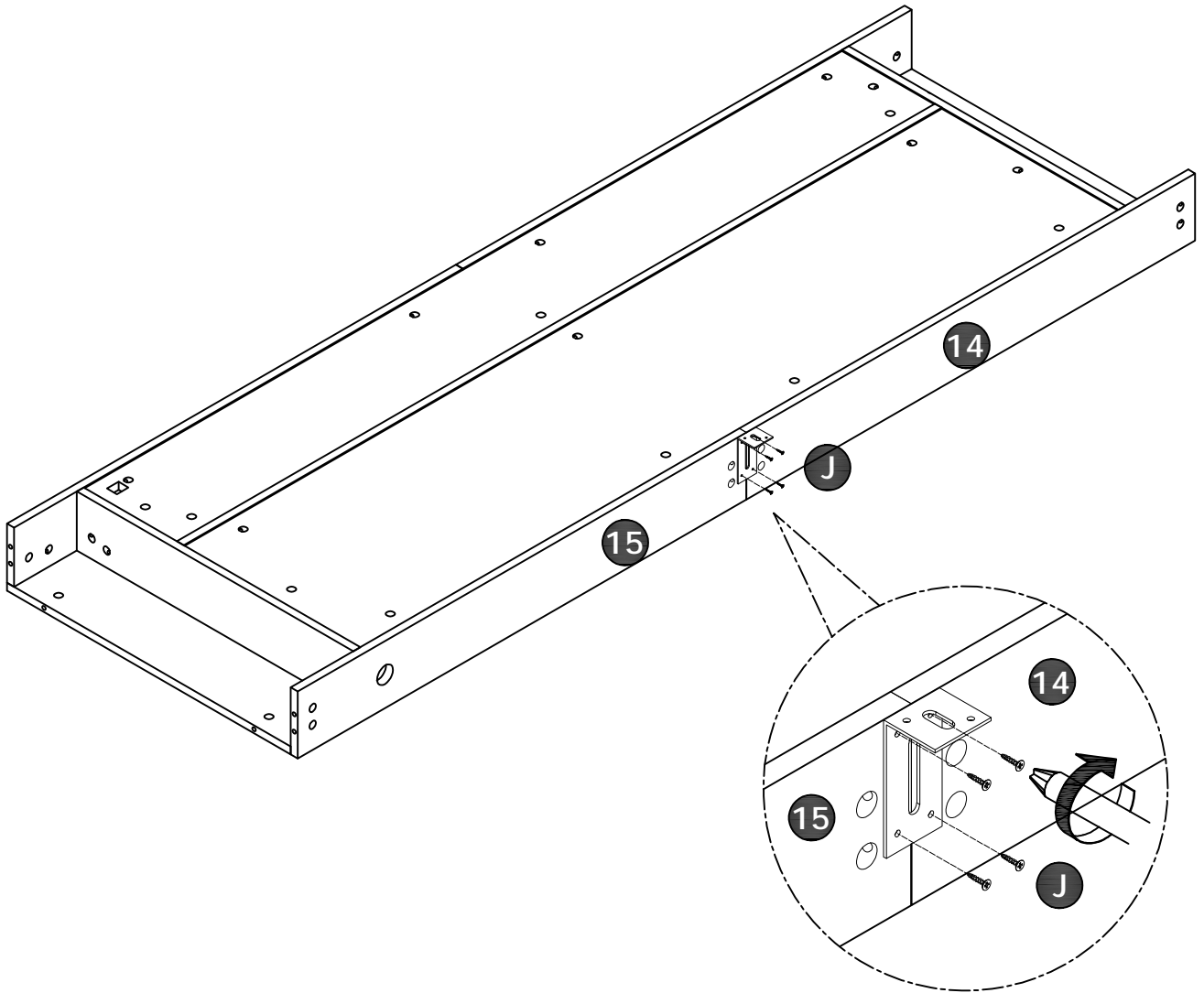
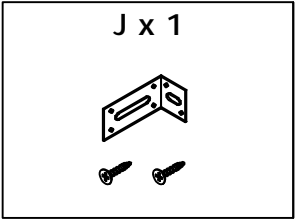


Ø8\*30mm



# 16

J x 1

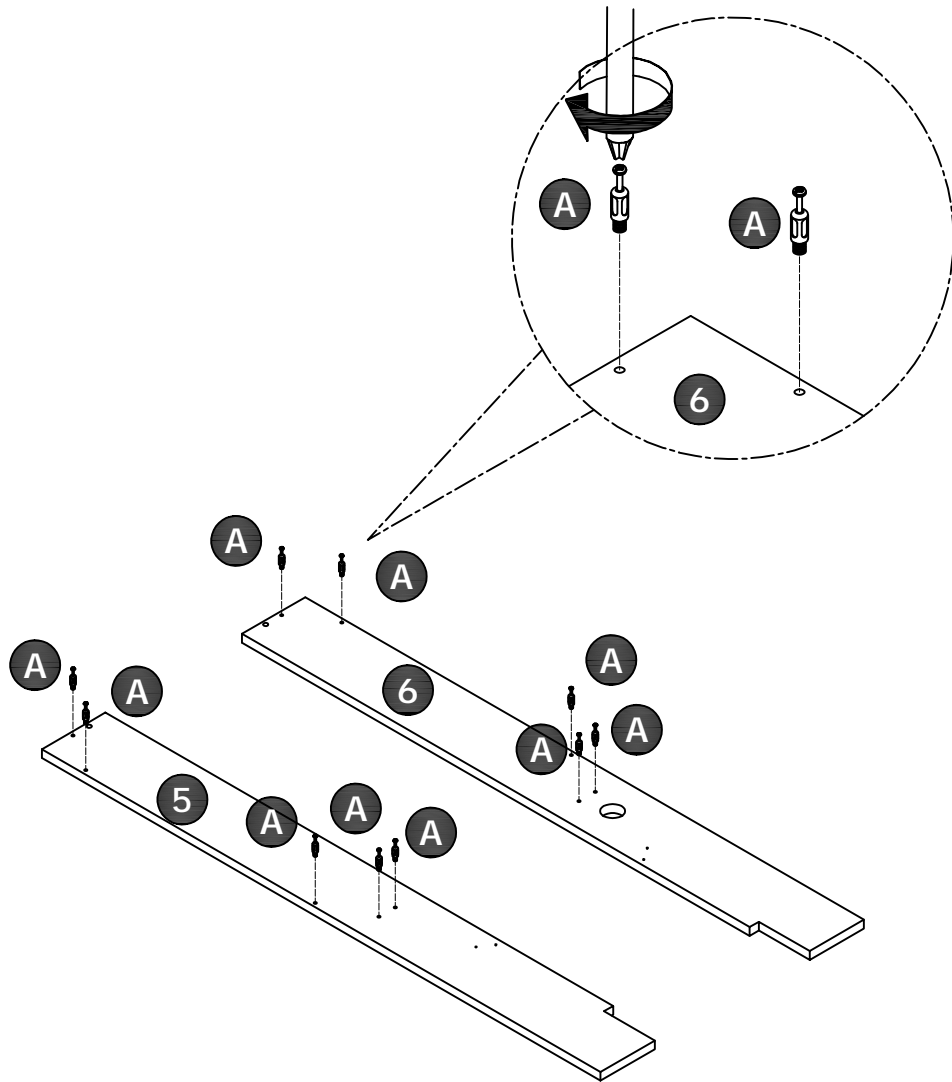
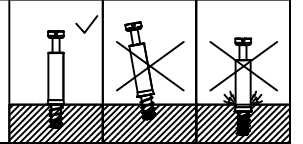
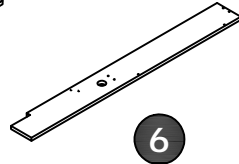
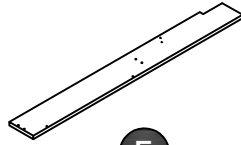


# 17

A x 10



M6\*35mm

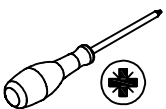
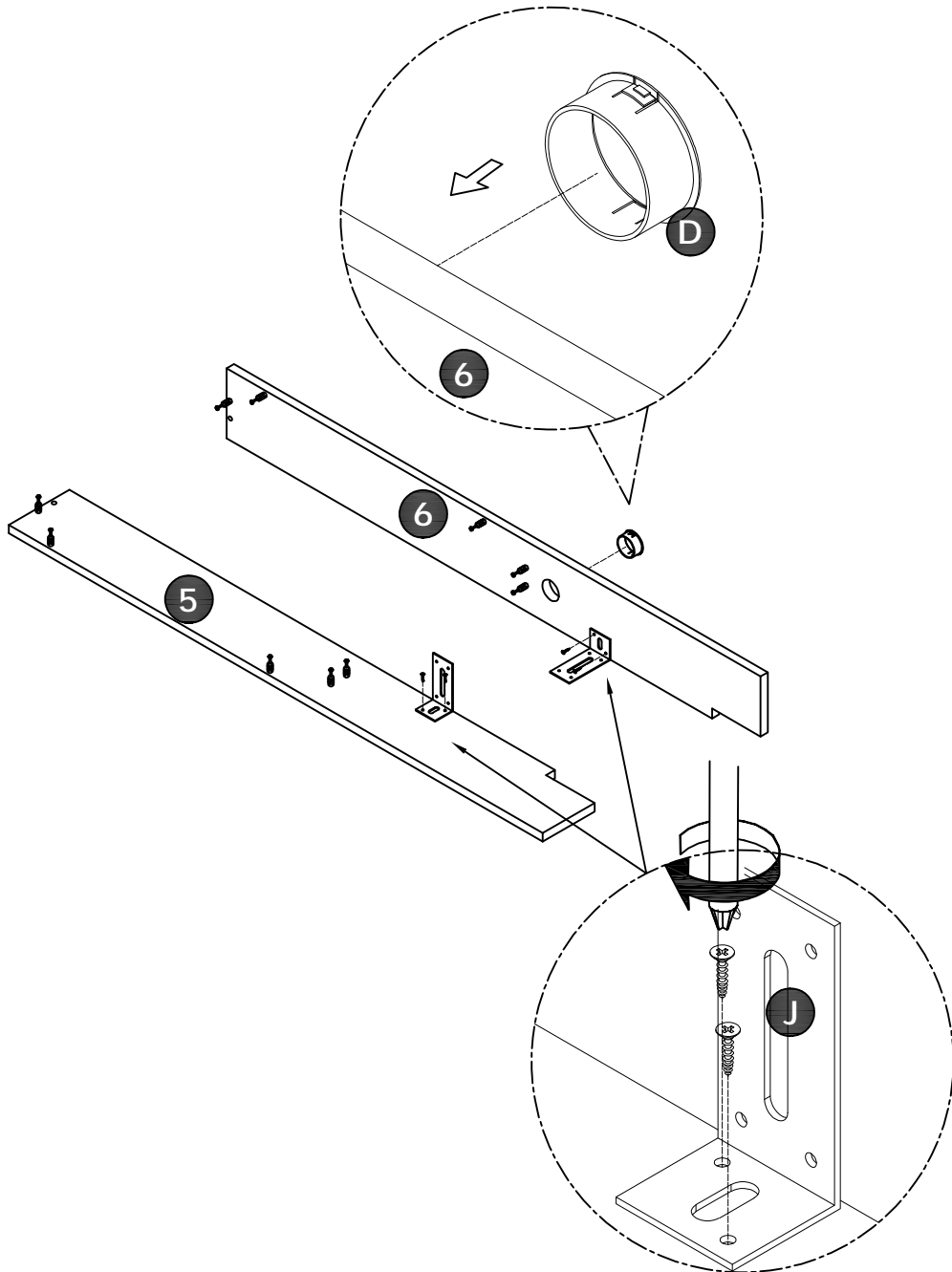
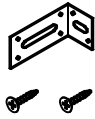


# 18

D x 1



J x 2



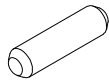
# 19

B x 10

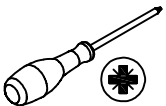
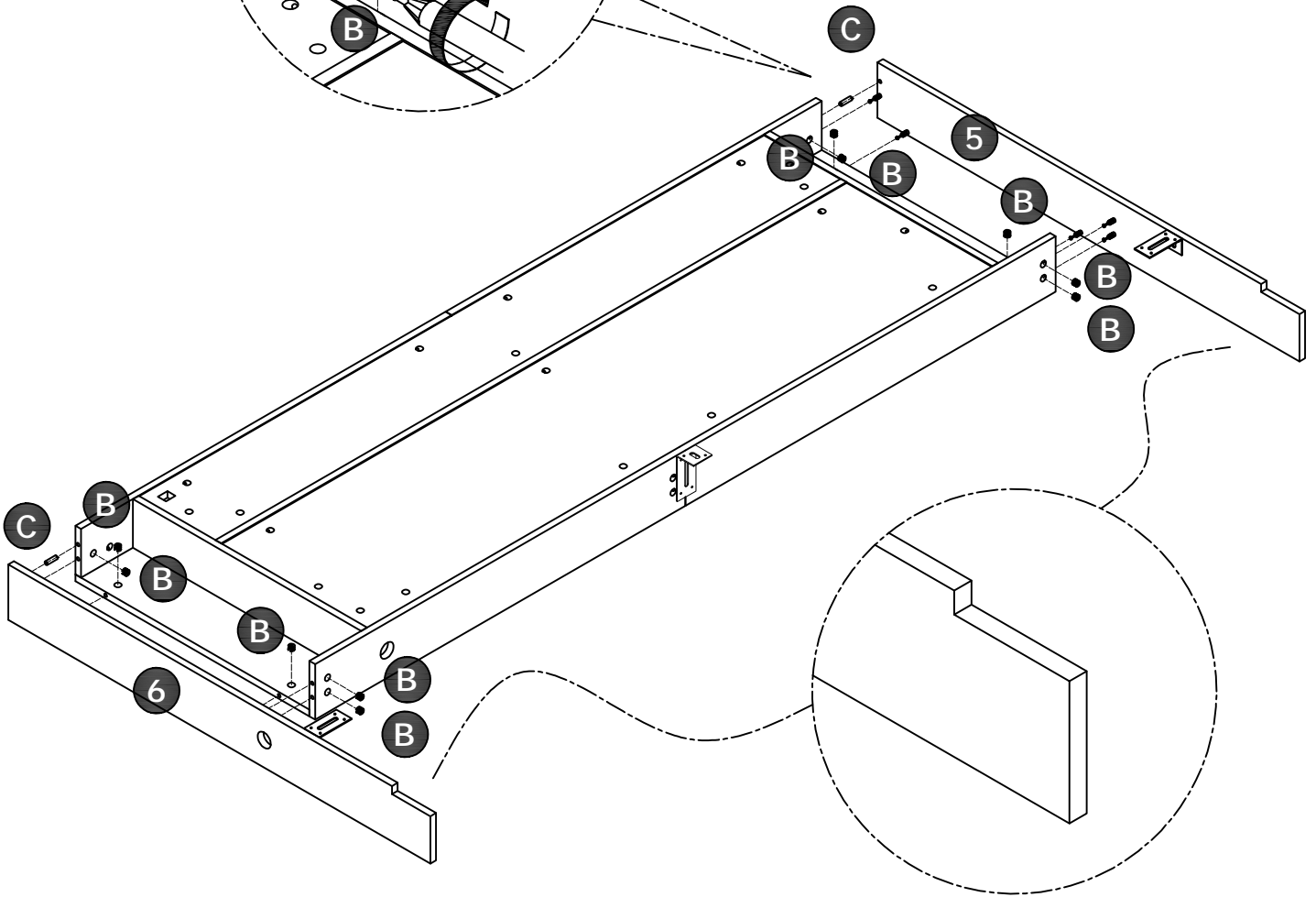
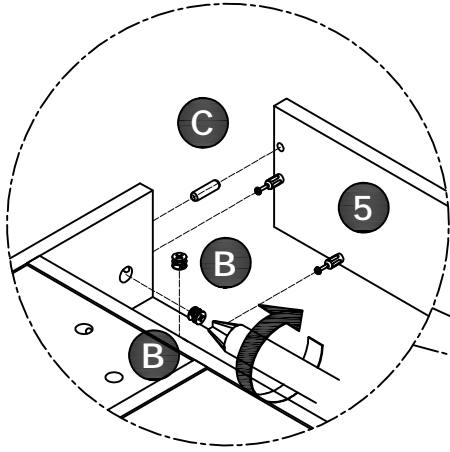
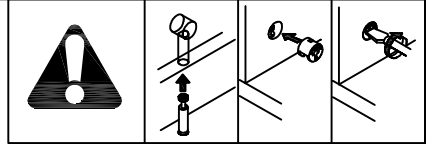


Ø12\*10mm

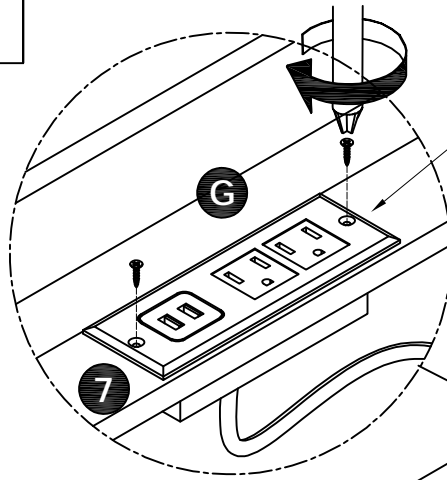
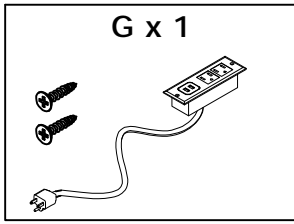
C x 2



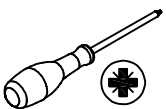
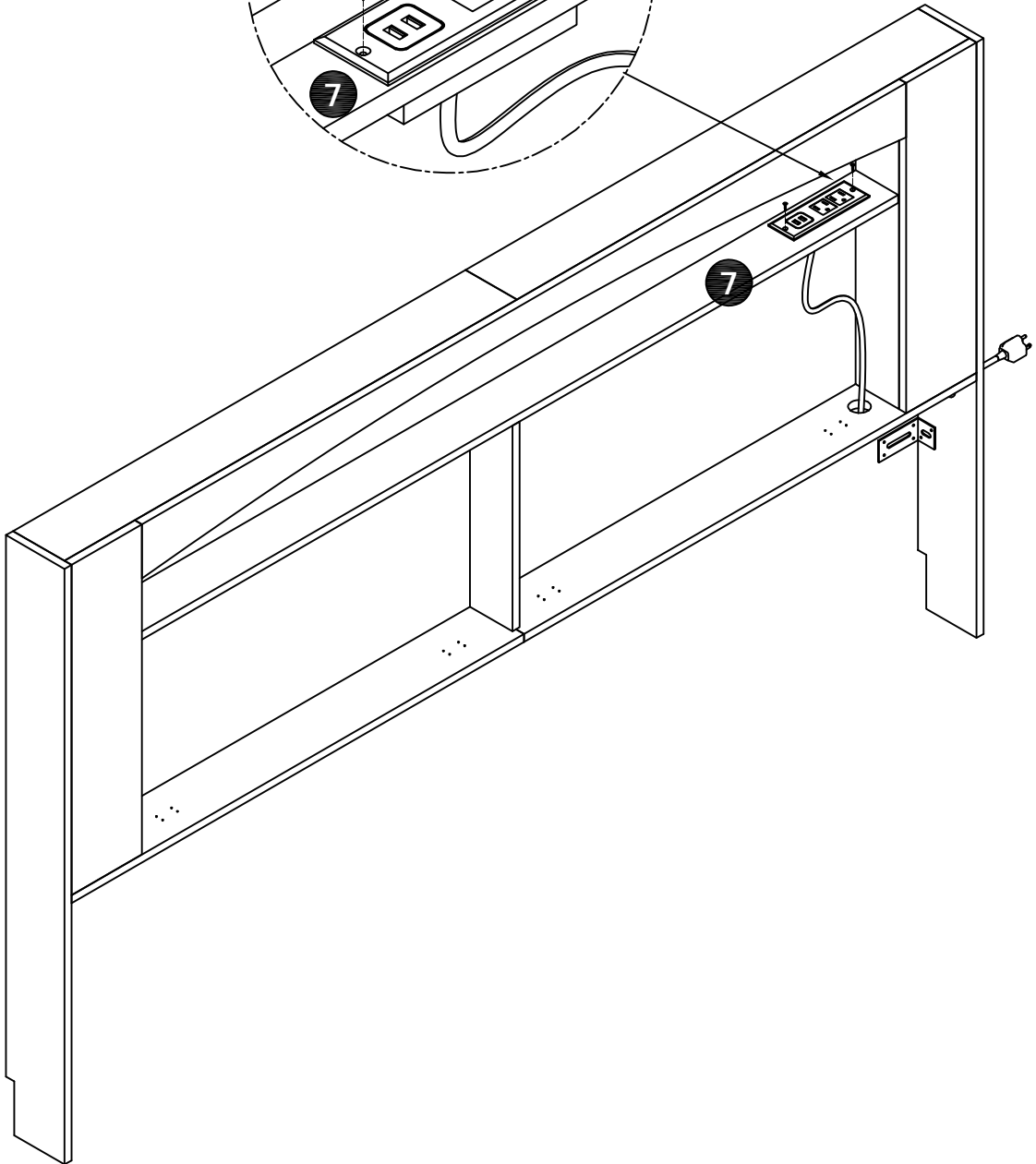
Ø8\*30mm



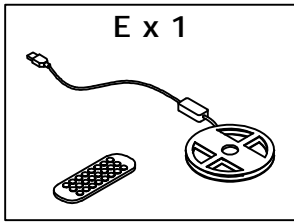
# 20



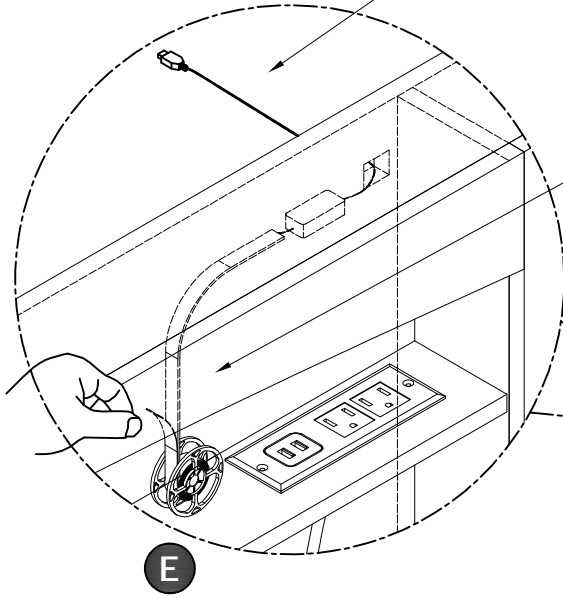
The socket panel has no holes; please use a short screwdriver to insert and tighten it directly into the socket holes.



# 21



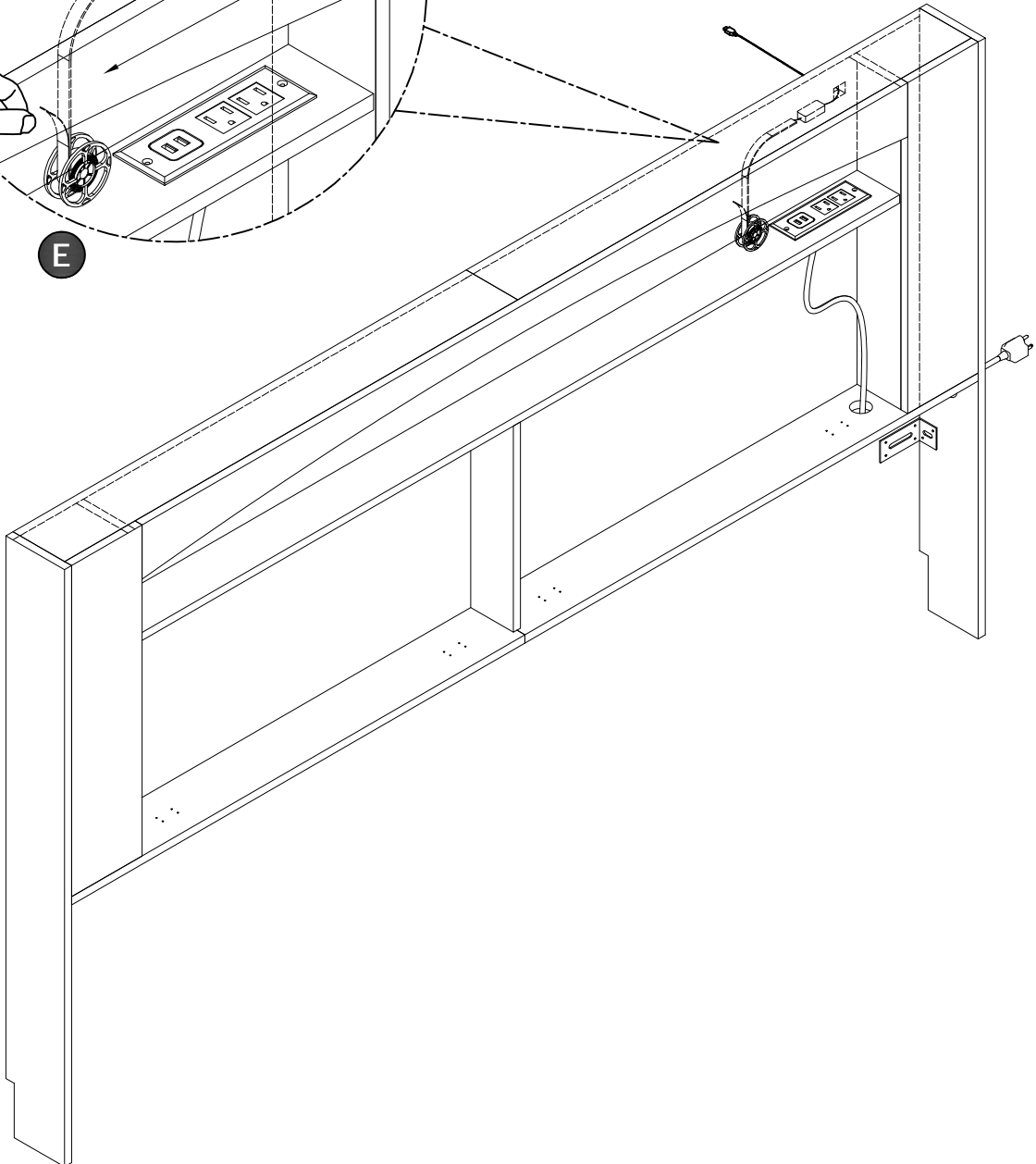
Thread the USB cable through Panel 4's square hole and pull it as far out as possible.



Peel off the adhesive backing of Part E.

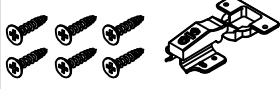
Please gently peel off the plastic film from the light strip, then stick the strip onto the product.

Note: Do not peel off the white adhesive layer underneath—otherwise, the strip will lose its stickiness.



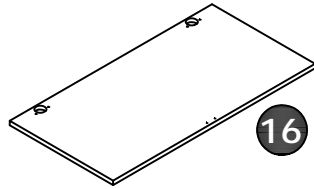
# 22

F x 4

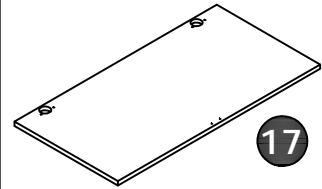


x 8

x 4

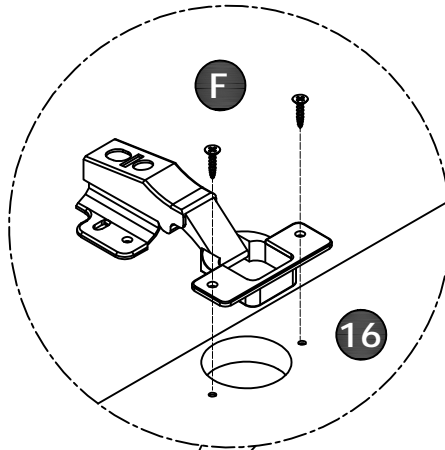
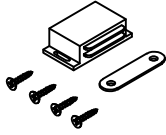


16



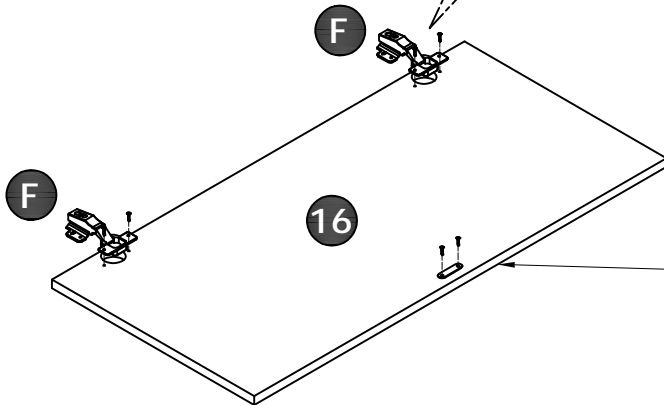
17

H x 2



F

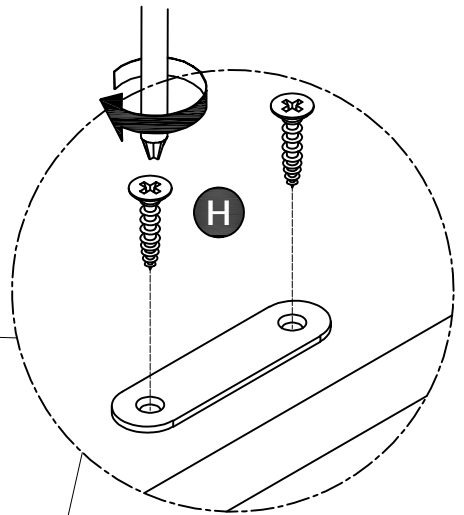
16



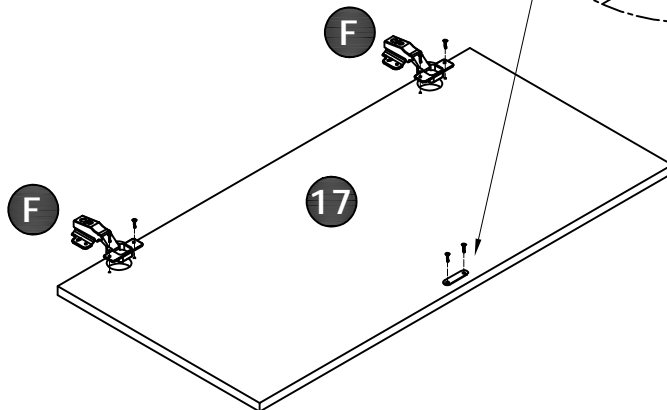
F

F

16



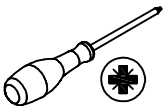
H



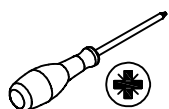
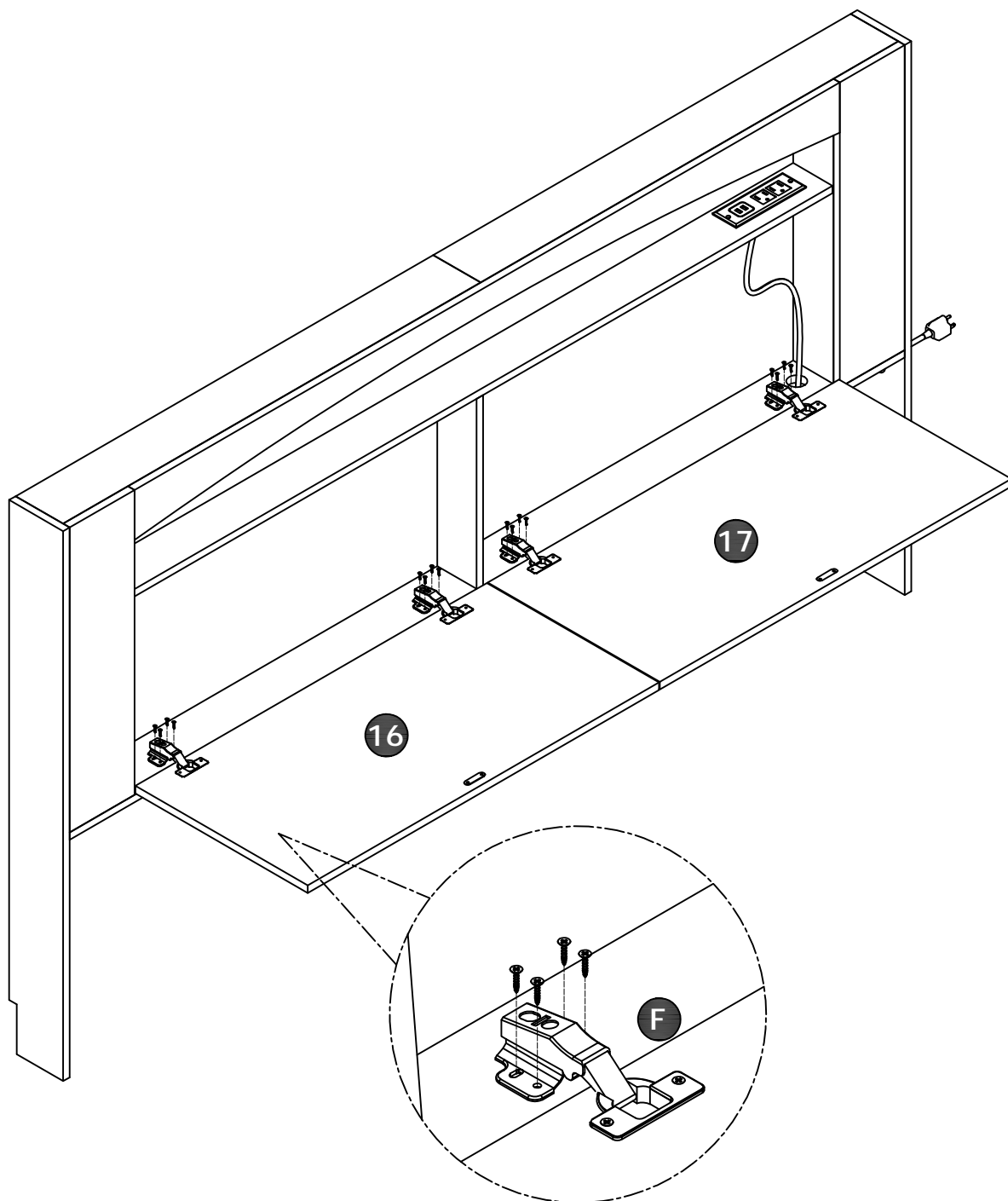
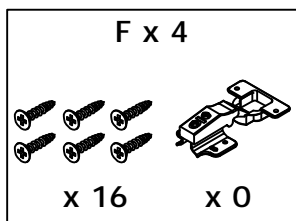
F

F

17

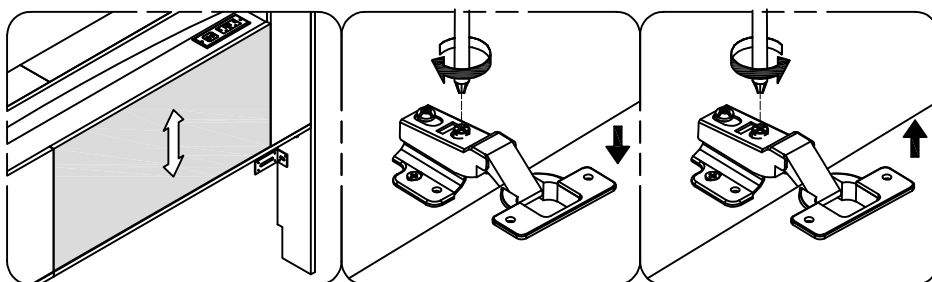


# 23

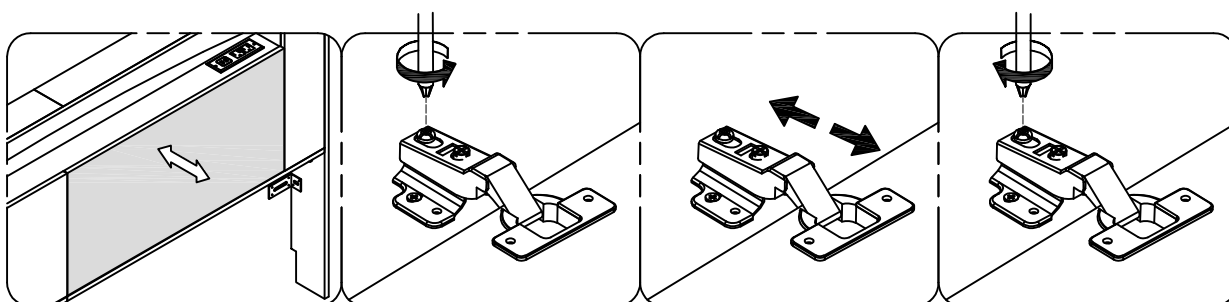


# 24 Adjust as needed to ensure proper door alignment

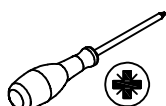
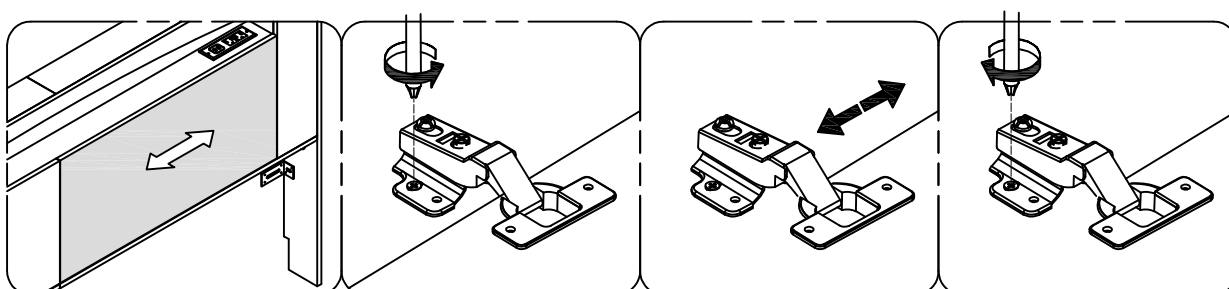
## Up & Down Adjustment



## Forward & Back Adjustment

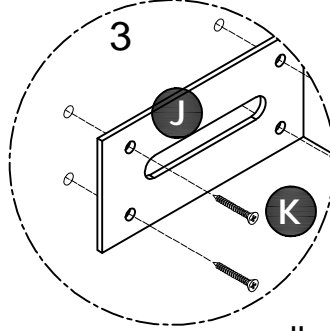
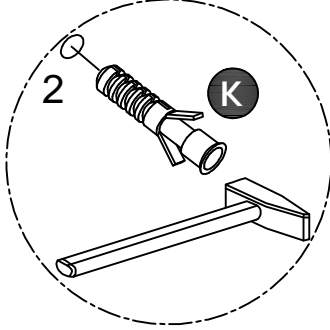
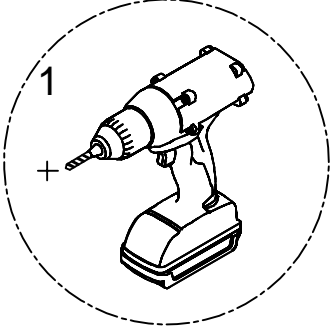


## Left & Right Adjustment



25

K x 3



wall

wall

