

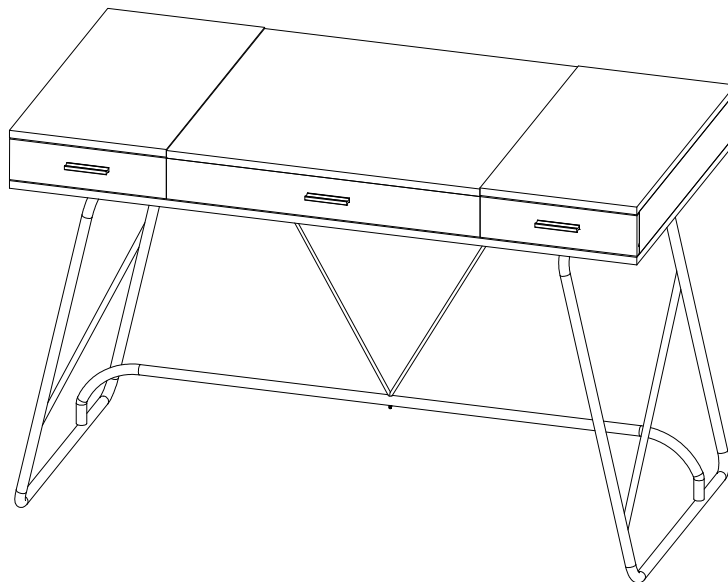
# DESK

---

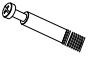















Thank you for purchasing the **DESK!**

Before you start, here is some helpful advice:

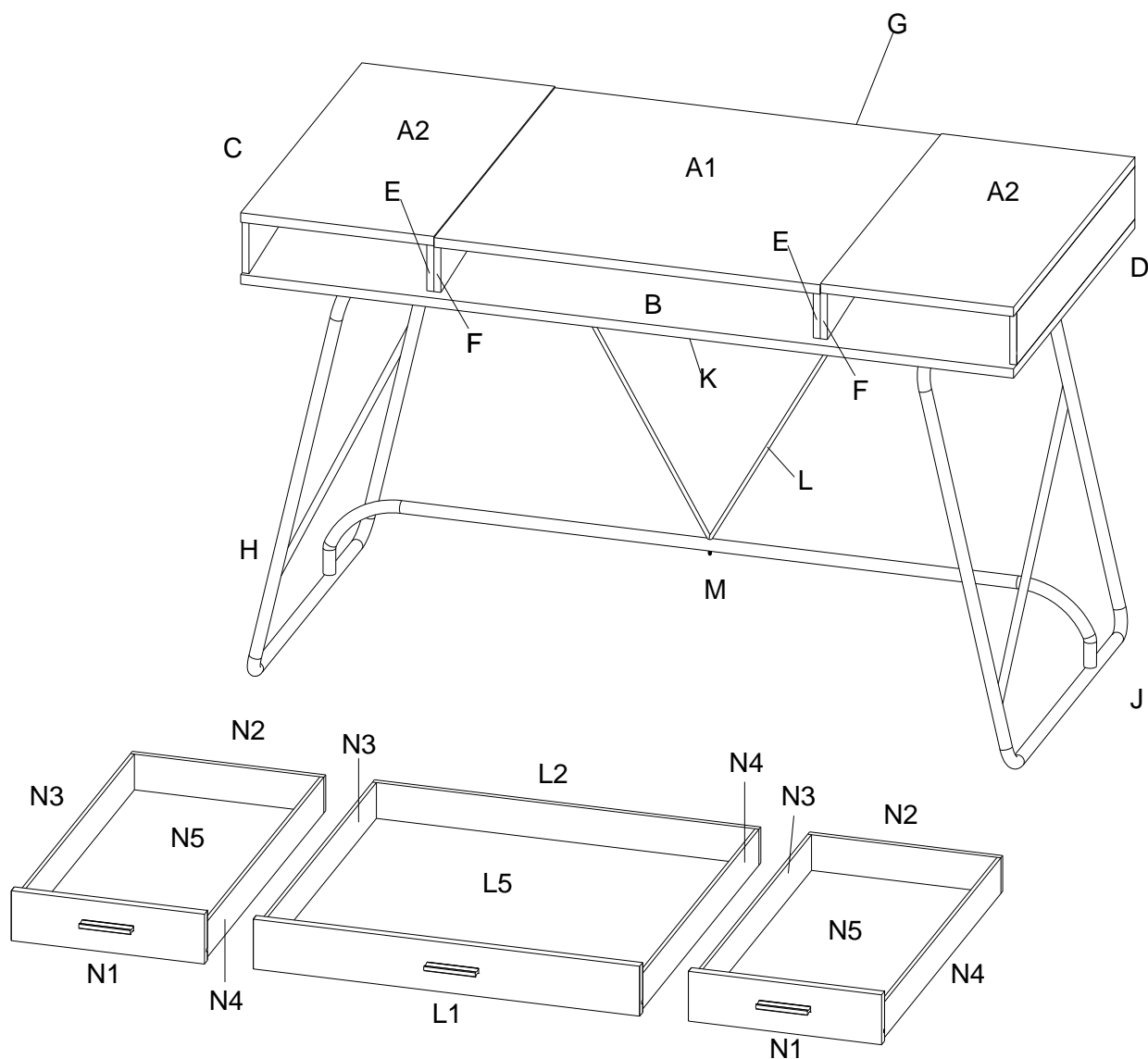
1. We suggest you spend a short time reading through this leaflet and then follow the simple step by step instructions.
  2. Owing to the size and weight of the desk, we recommend that it is assembled by two adults, on a carpeted or padded area, in the room that it is intended for. Approximate assembly time: 45 minutes.
  3. Please do not use any tools other than those provided or recommended in these instructions.
  4. Please do not throw away any of the packaging or instructions until you have checked all the components and hardware and the furniture is fully assembled.
  5. Assemble all components loosely until advised to tighten. Depending on use, it may be necessary to tighten the components from time to time, so please save the tools that have been provided.
  6. Please keep all pieces out of reach of small children.
- 



## Hardware:

a		Cam x18	b		Cam Post x18
c		Screw M4x35mm x12	d		Pull Screw M4x18mm x6
e		Pull x3	f		Drawer Guides x3 sets
g		Screw M4x14mm x24	h		Dowel x29
j		Bolt M5x55mm x12	k		Bolt M6x12mm x10
m		Nut x1	n		Bolt M6x35mm x4
o		Plastic Pad x4	p		Connect Metal Plate x4
q		Allen Wrench x1	r		Open Wrench x1

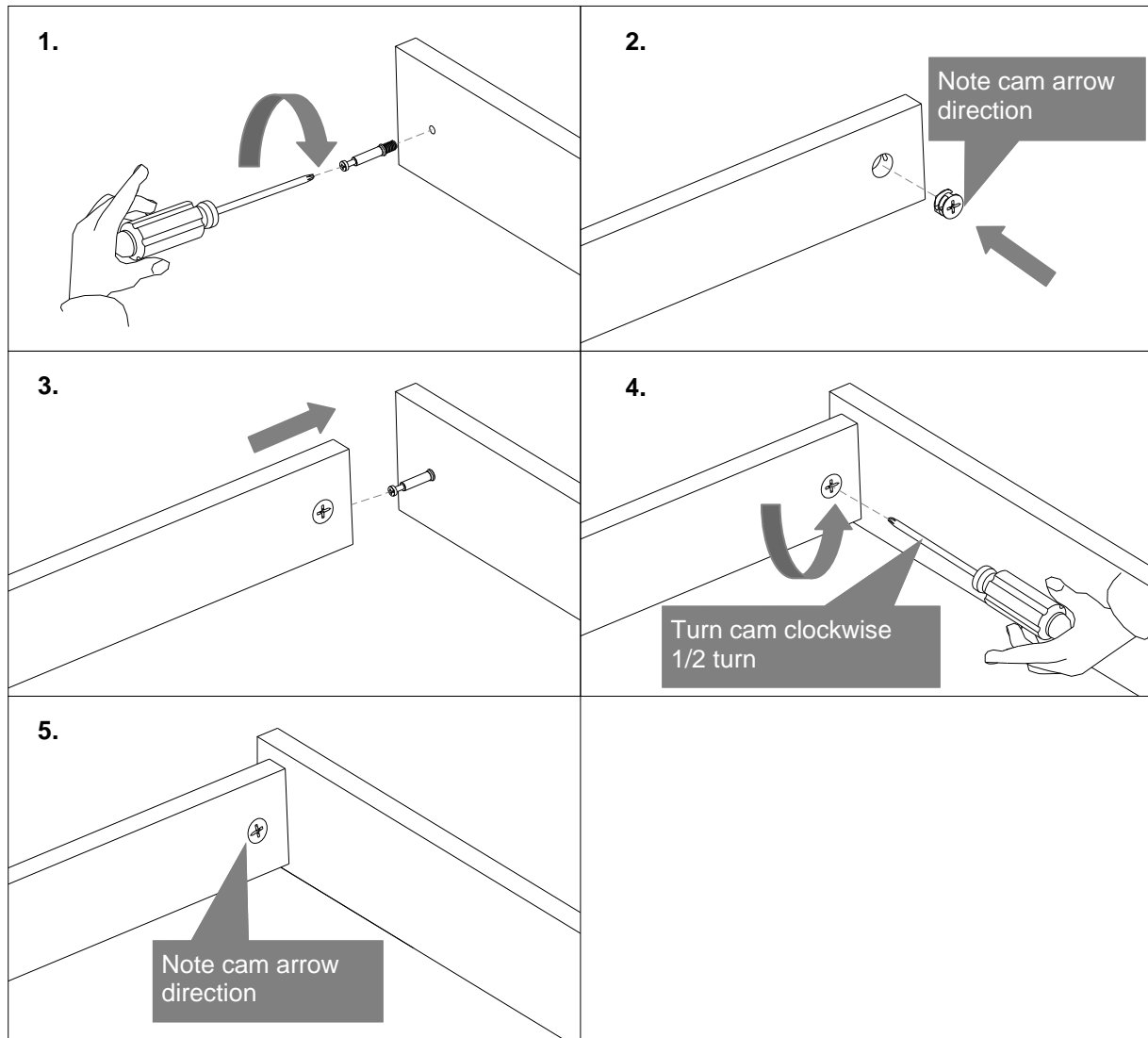
# DESK



## Component:

A1	Center Top Panel	x1	A2	Side Top Panel	x2
B	Bottom Panel	x1	C	Left Side Panel	x2
D	Right Side Panel	x1	E	Left Divide Panel	x2
F	Right Divide Panel	x2	G	Back Panel	x1
H	Left Side Leg	x1	J	Right Side Leg	x1
K	Top Rail	x1	L	Support Rail	x1
M	Bottom Rail	x1	N1	Side Drawer Front	x2
N2	Side Drawer Back	x2	N3	Drawer Left Side	x3
N4	Drawer Right side	x3	N5	Side Drawer Bottom	x2
L1	Center Drawer Front	x1	L2	Center Drawer Back	x1
L5	Center Drawer Bottom	x1			

**HOW TO USE CAN AND CAM POST HARDWARE**



**STEP 1:**

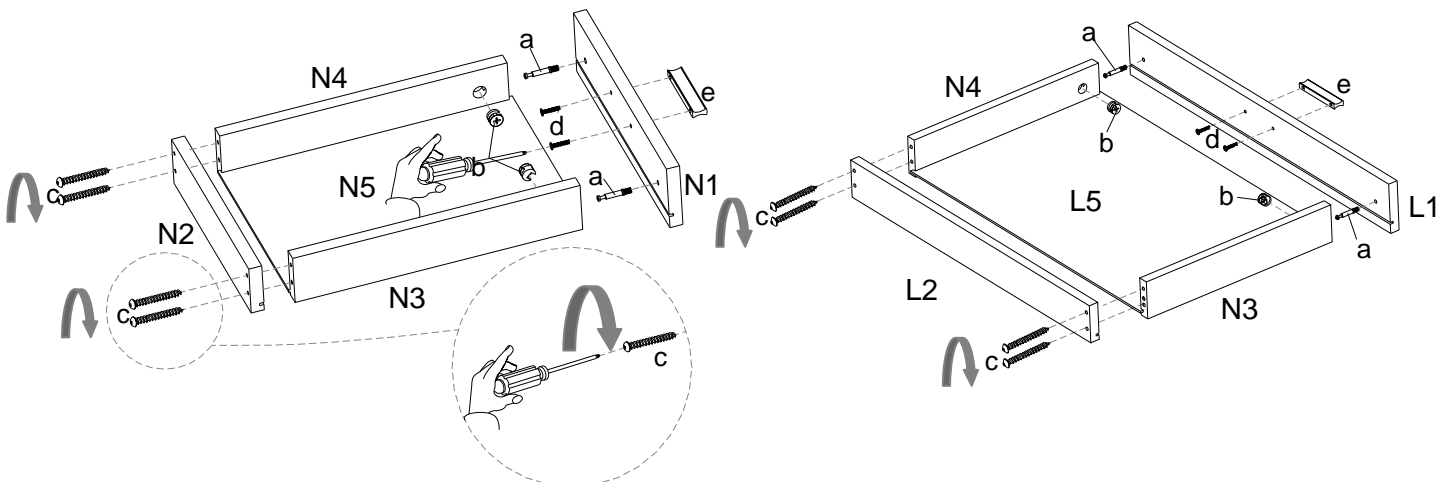
Place 1pc **Side Drawer Front (N1)**, 1pc **Side Drawer Back**, 1pc **Left Drawer Side (N3)**, 1pc **Right Drawer Side (N4)** and 1pc **Side Drawer Bottom (N5)** together as shown.

Attach them by 2pcs **Cam Post (a)**, 2pcs **Cam (b)**, 4pcs **Screw (c)**, tighten the **Screws (c)** and **Cam (b)**

Attach 1pc **Pull (e)** to the **Side Drawer Front (N1)** by using 2pcs **Pull Screw (d)**.

Fully tighten **Cams (b)**, **Screws (c)**, **Pull Screws (d)** with **Phillips Head Screwdriver** (not included).

Repeat the same steps and hardware for the other **Side Drawer** and **Centre Drawer** as shown.



ax6	bx6	cx12	dx6	ex3	Phillips Head Screwdriver (not included)

Hardware & Tools required

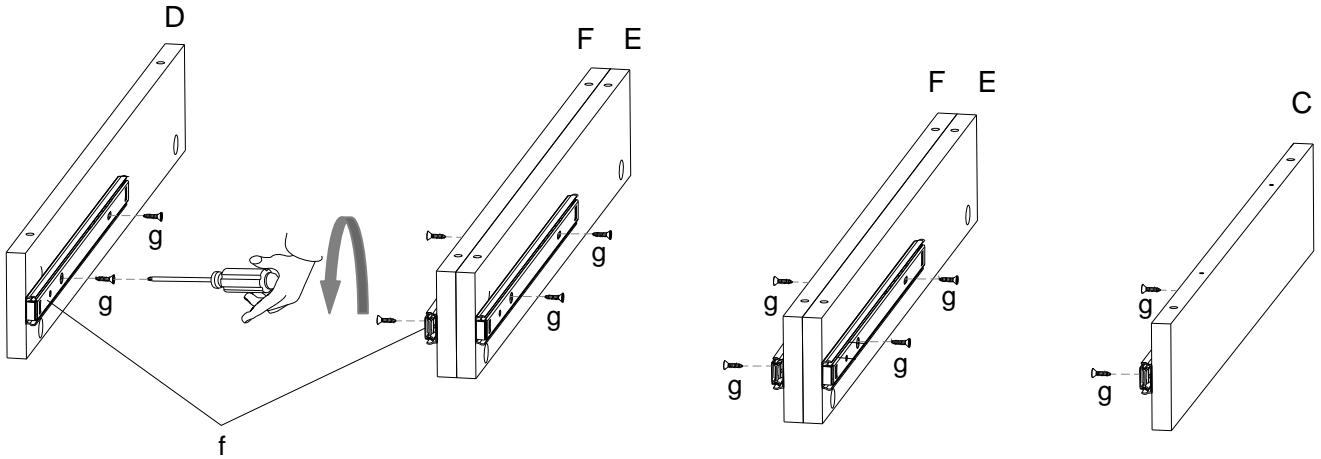
# DESK

## STEP 2:

Place the **Side Panels (C&D)**, **Divide Panels (E&F)** upside down on a carpeted or padded surface.

Attach the 3 sets **Drawer Guides (f)** to the **Side Panels (C&D)** and **Divide Panels (E&F)** by using **12pcs Screw (g)** as shown.

Use **Phillips Head Screwdriver (not included)** to tighten the **Screws (g)** clockwise until secure.



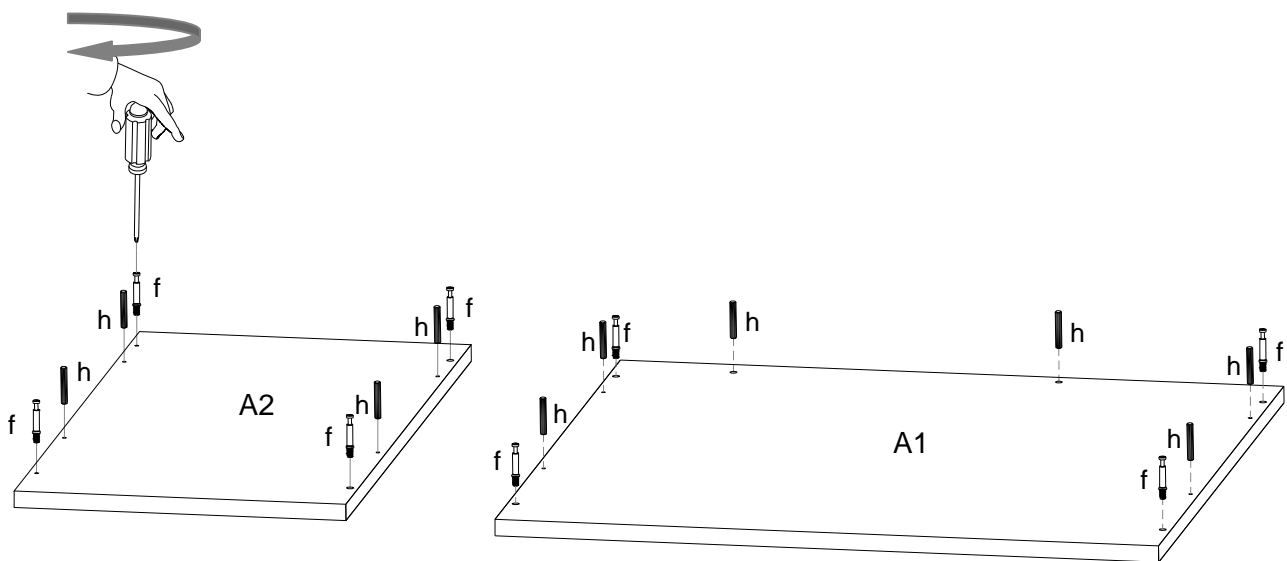
fx3	gx12	Phillips Head Screwdriver (not included)

Hardware & Tools required

## STEP 3:

Insert 12pcs **Cam Post (a)** into the corresponding holes on the **Top Panels (A1&A2)** as shown.

Insert 14pcs **Dowel (h)** into the corresponding holes on the **Top Panels (A1&A2)** as shown.



ax12	hx14	Phillips Head Screwdriver (not included)

Hardware & Tools required

# DESK

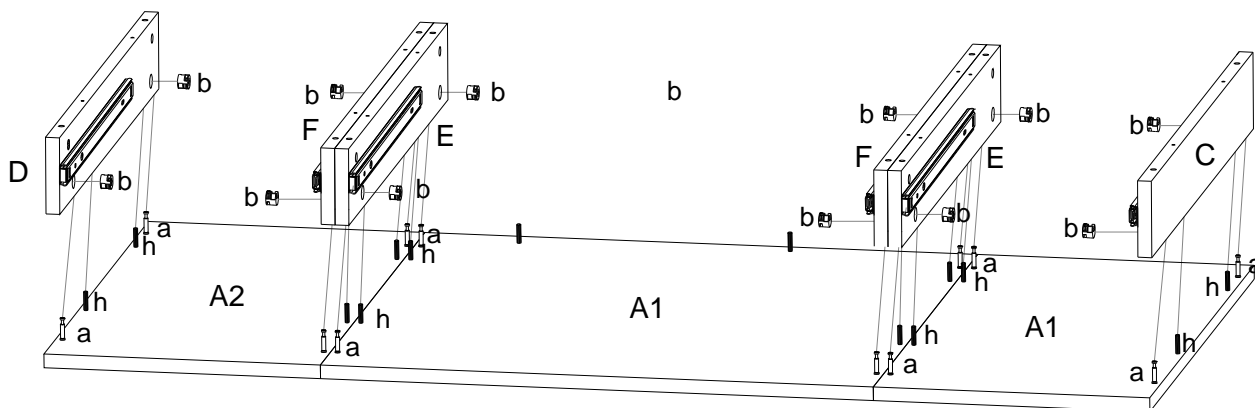
## STEP 4:



Please put the **Top Panels(A1&A2)** upside down on a carpeted or padded surface.

Place the **Side Panels (C&D)**, **Divide Panels (E&F)** to the **Top Panels (A1&A2)** as shown.

Attach them by using 12pcs **Cam (b)**.

Use **Phillips Head Screwdriver (not included)** to tighten the **Cams (b)** clockwise until secure.



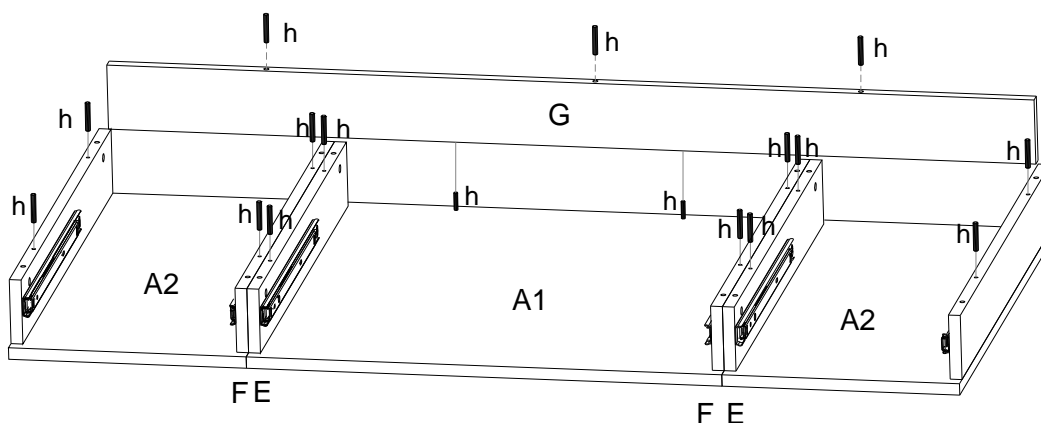
	
bx12	Phillips Head Screwdriver (not included)


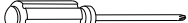
Hardware & Tools required

## STEP 5:

Place the **Back Panel (G)** to the **Top Panels (A1&A2)** as shown.

Insert 15pcs **Dowel (h)** into the corresponding holes on the **Side Panel (C&D)**, **Divide Panels (E&F)** and **Back Panel (G)**.



	
hx15	Phillips Head Screwdriver (not included)

Hardware & Tools required

# DESK

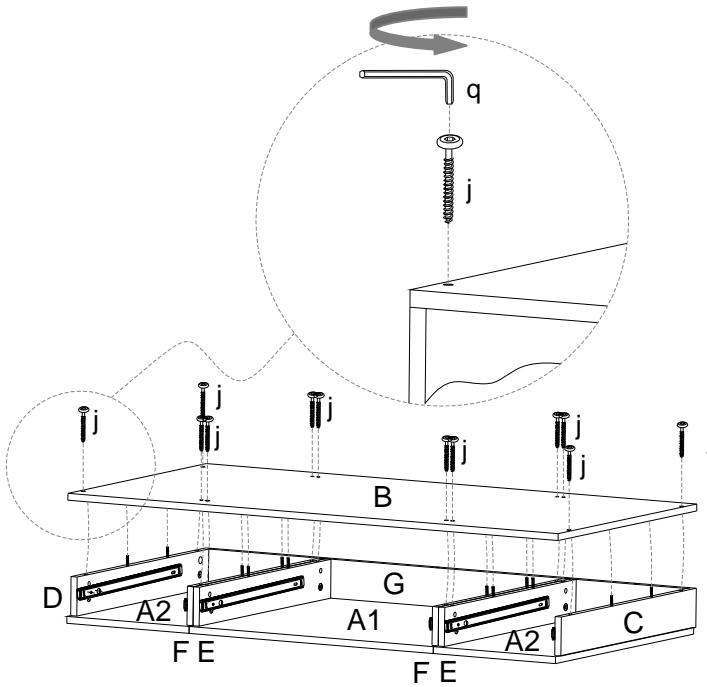
## STEP 6:

Please put Assembled **Top Panel(A1&A2)** upside down on a carpeted or padded surface.

Place the **Bottom Panel (B)** to the assembled **Side Panels (C&D)**, **Divide Panels (E&F)** and **Back Panel (G)** as shown.

Attach them by using 12pcs **Bolt (j)**.

Use **Allen Wrench (q)** to tighten the **Bolts (j)** clockwise until secure.



jx12	qx1

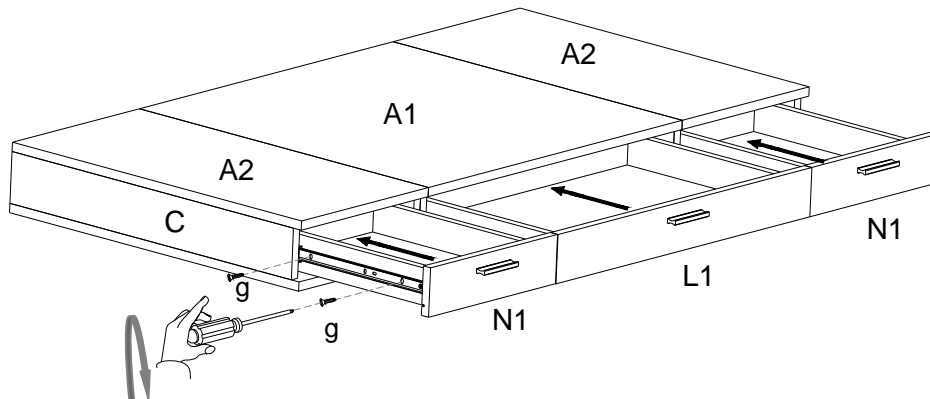
Hardware & Tools required

## STEP 7:

Pull out the 3 sets metal drawer guides of **Drawer Guides (f)**.

Attach the Side Drawers and Center Drawer to the **Drawer Guides (f)** by using 12pcs **Screws (g)**.

Use **Phillips Head Screw Driver (not included)** to tighten the **Screws (g)** clockwise until secure.



gx12	Phillips Head Screwdriver (not included)

Hardware & Tools required

# DESK

## STEP 8:

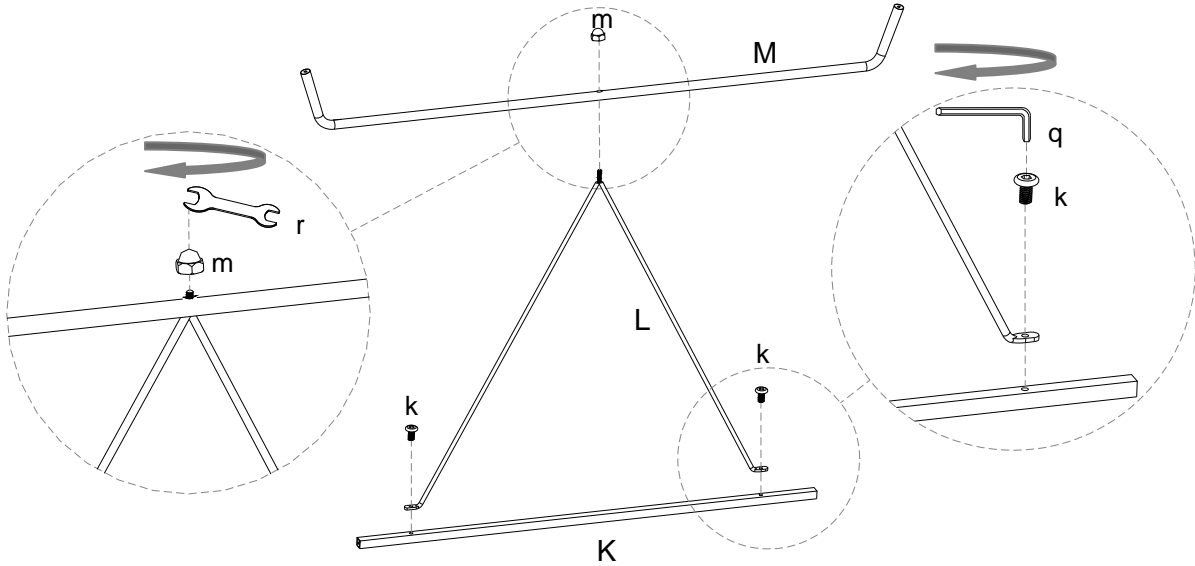
Place the **Top Rail (K)**, **Bottom Rail (M)** and **Support Rail (L)** as shown.





Attach the **Support Rail (L)** to the **Top Rail (K)** by using 4pcs **Bolt (h)**.

Use **Allen Wrench (q)** to tighten the **Bolts (k)** clockwise until secure.

Attach the **Support Rail (L)** to the **Bottom Rail (M)** by using 1pc **Nut (m)** as shown.

Use **Open Wrench (r)** to tighten the **Nut (m)** clockwise until secure.



			
kx2	mx1	qx1	rx1

Hardware & Tools required

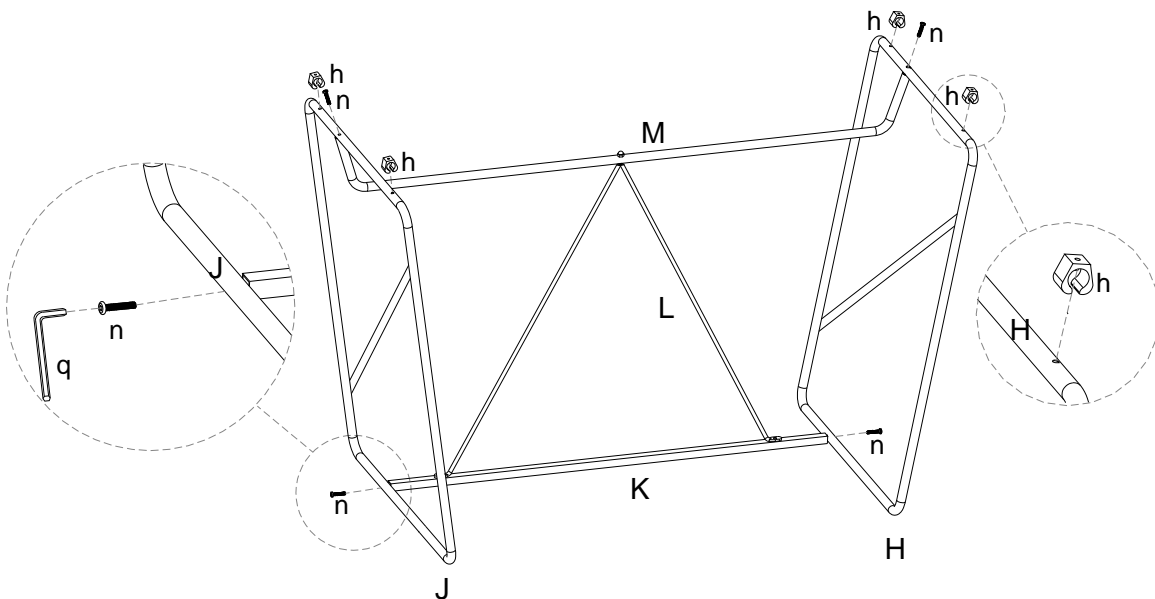
## STEP 9:

Place the assembled **Top Rail (K)** and **Bottom Rail (M)** as shown.

Attach the **Left Side Leg (H)** and **Right Side leg (J)** to the assembled **Top Rail (K)** and **Bottom Rail (M)** by using 4pcs **Bolt (h)**.

Use **Allen Wrench (q)** to tighten the **Bolts (n)** clockwise until secure.

Lock 4pc **Plastic Pad (h)** to the **Left Side Leg (H)** and **Right Side leg (J)** as shown.



		
nx4	hx4	qx1

Hardware & Tools required

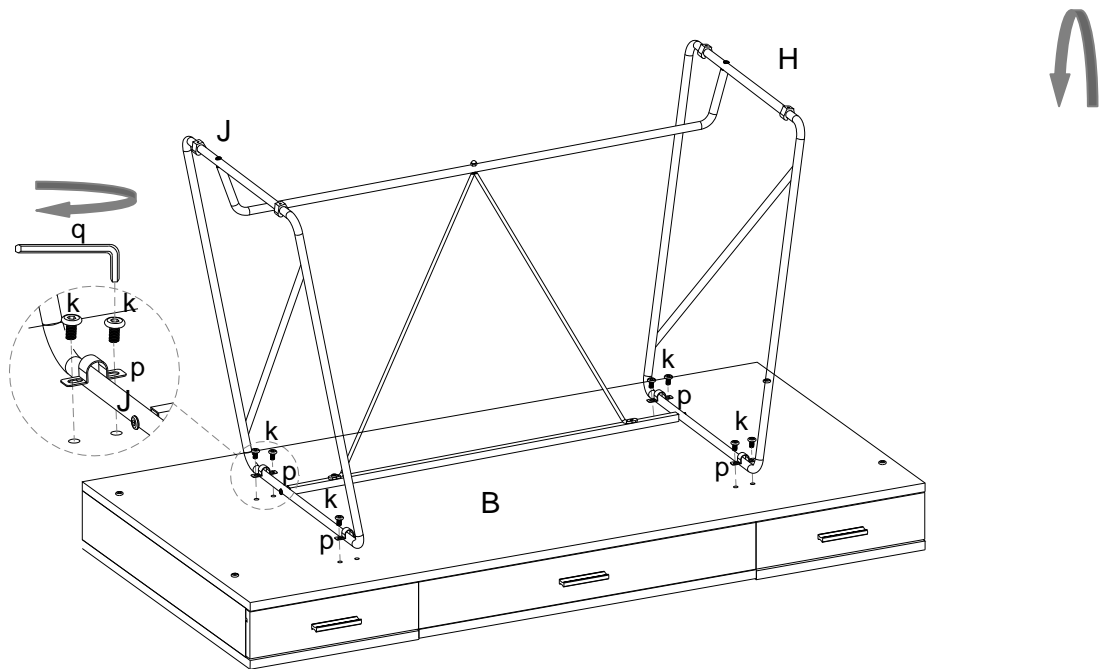
# DESK

## STEP 10:

Please put the assembled desk's top upside down on a carpeted or padded surface as shown .

Attach assembled **Left Side Leg (H)** and **Right Side Leg (J)** into the bottom of **Bottom Panel (B)** by using 4pcs **Connect Metal Plat (p)** and 8pcs **Blot (k)**.

Use **Allen Wrench (q)** to tighten the **Bolts (k)** clockwise until secure.

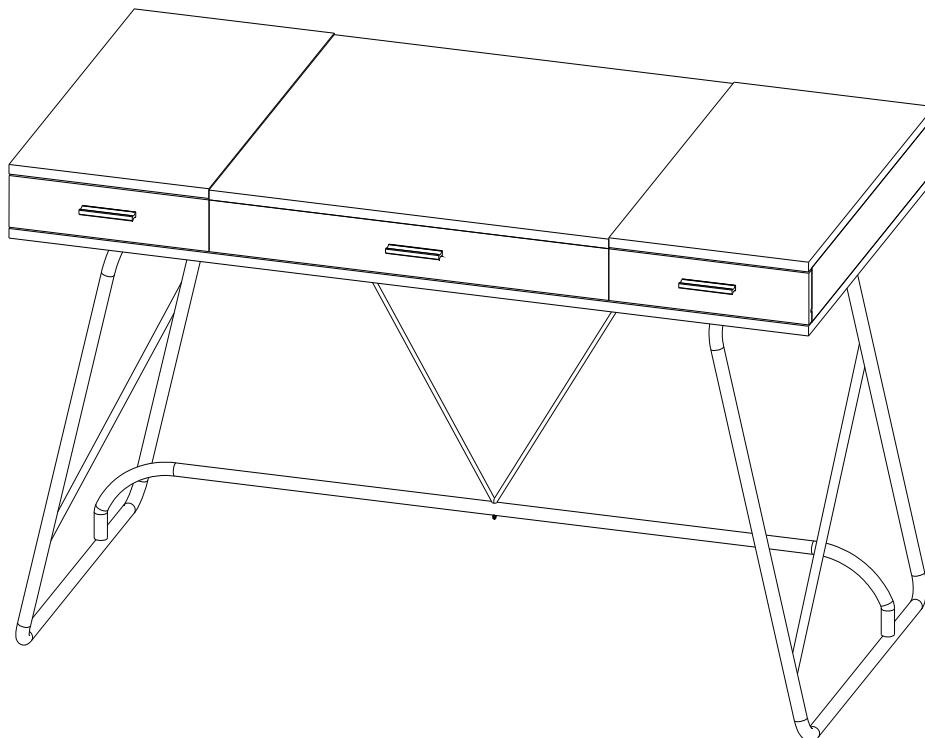


kx8	px4	qx1

Hardware & Tools required

## STEP 11:

Carefully turn over the desk.



Assembly is completed. The desk is ready to enjoy now!