

# HEADBOARD

## ASSEMBLY INSTRUCTIONS

Before assembling your Headboard, please read through these instructions carefully and familiarize yourself with the different parts.



### PARTS LIST

- 1 HEADBOARD PANEL 1 PC
- 2 LEFT LEG 1 PC
- 3 RIGHT LEG 1 PC
- 4 SPACER BLOCK 2 PCS

Instructions apply for all bed sizes  
TWIN > FULL > QUEEN > KING

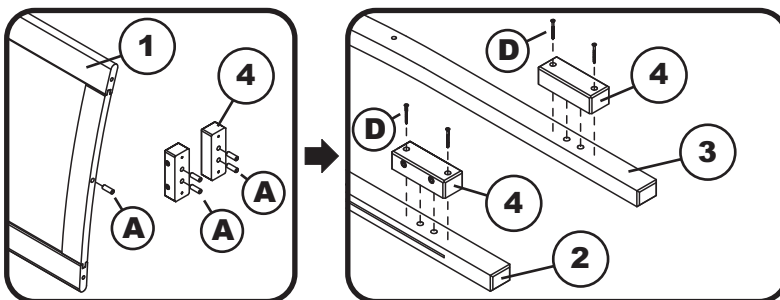
### HARDWARE

- A Wooden Dowel - 6 pcs  
Spare - 2 pcs
- B JCB M6 X 70mm (2 3/4") - 4 pcs  
Spare - 1 pc
- C Barrel Nut - 4 pcs  
Spare - 1 pc
- D Wood Screw - 4 pcs  
Spare - 1 pc
- E JCB M6 X 25mm (1") - 4 pcs  
Spare - 1 pc
- F Flat Washer - 4 pcs  
Spare - 1 pc
- G Split Washer - 4 pcs  
Spare - 1 pc
- H Allen Wrench - 1 pc  
Spare - 1 pc

NOTE: WE INCLUDE SPARE HARDWARE IN CASE THE ALLEN WRENCH, JCB, BARREL NUT, WOODEN DOWEL, WOOD SCREW, SPLIT OR FLAT WASHER ARE DAMAGED DURING ASSEMBLY.

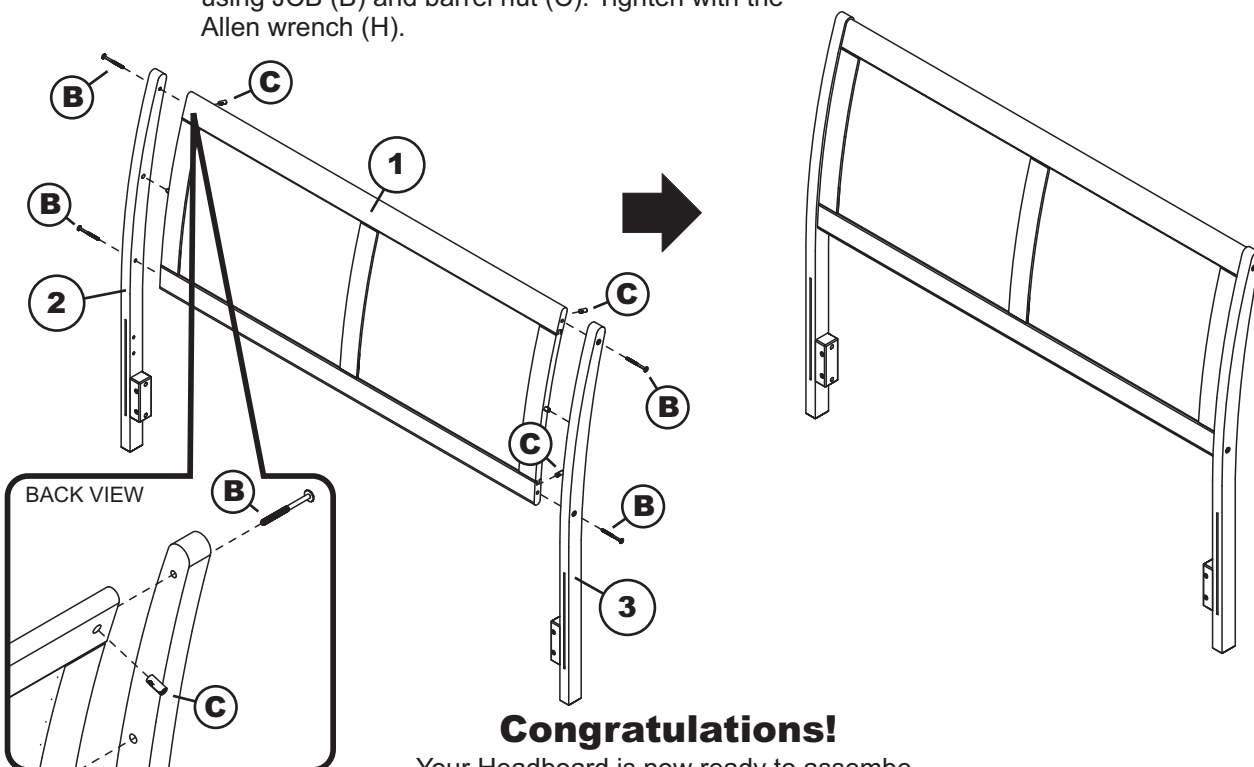
### Step 1

Insert wooden dowels (A) to the locator holes on (1) and (4). Attach the spacer blocks (4) to the legs (2) and (3), using wood screws (D), as shown below. Tighten with Phillips head screwdriver. (Customer Supplied)



### Step 2

Attach the legs (2) and (3) to the headboard panel (1), using JCB (B) and barrel nut (C). Tighten with the Allen wrench (H).



**Congratulations!**

Your Headboard is now ready to assemble.

To ensure lasting safety, we recommend that you periodically check that all screws are tight and all parts are secure.

# BED

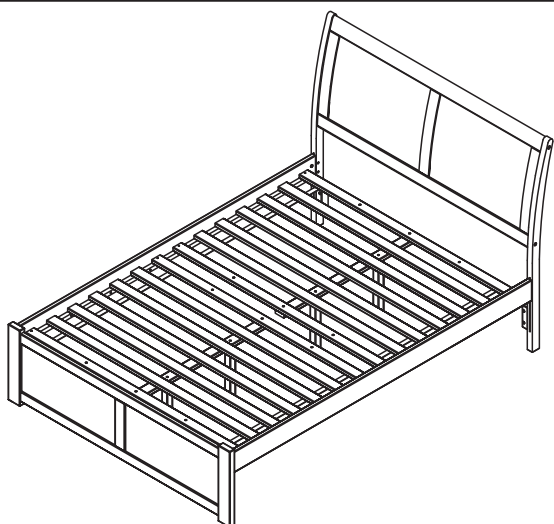
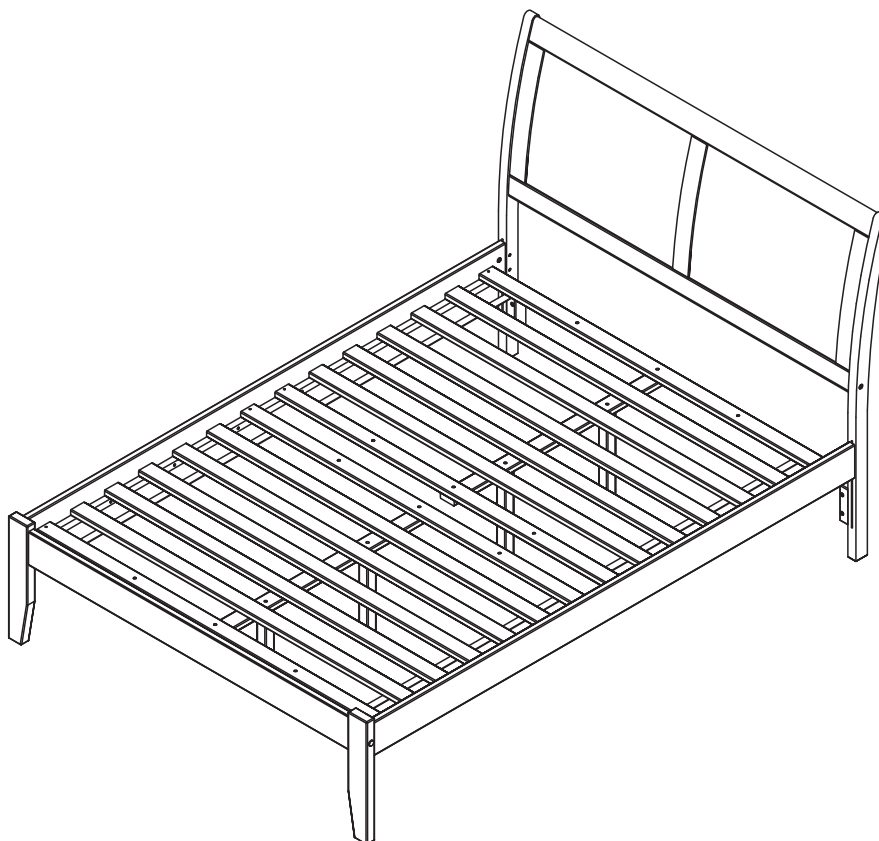
## ASSEMBLY INSTRUCTIONS

Before assembling your Headboard, please read through these instructions carefully and familiarize yourself with the different parts.

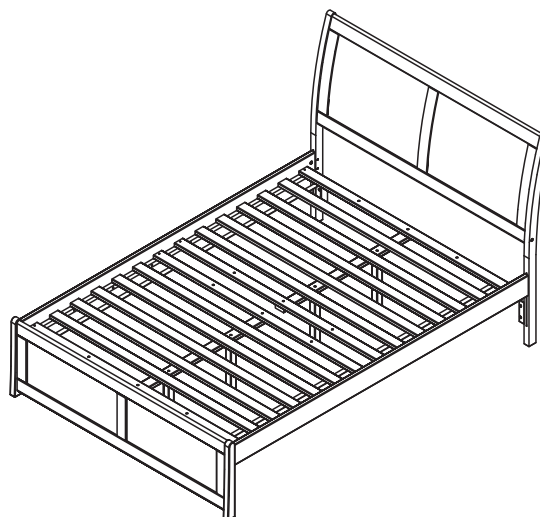


Instructions apply for all bed sizes  
**TWIN > FULL > QUEEN > KING**

### BED SHOWN WITH OPEN FOOTRAIL



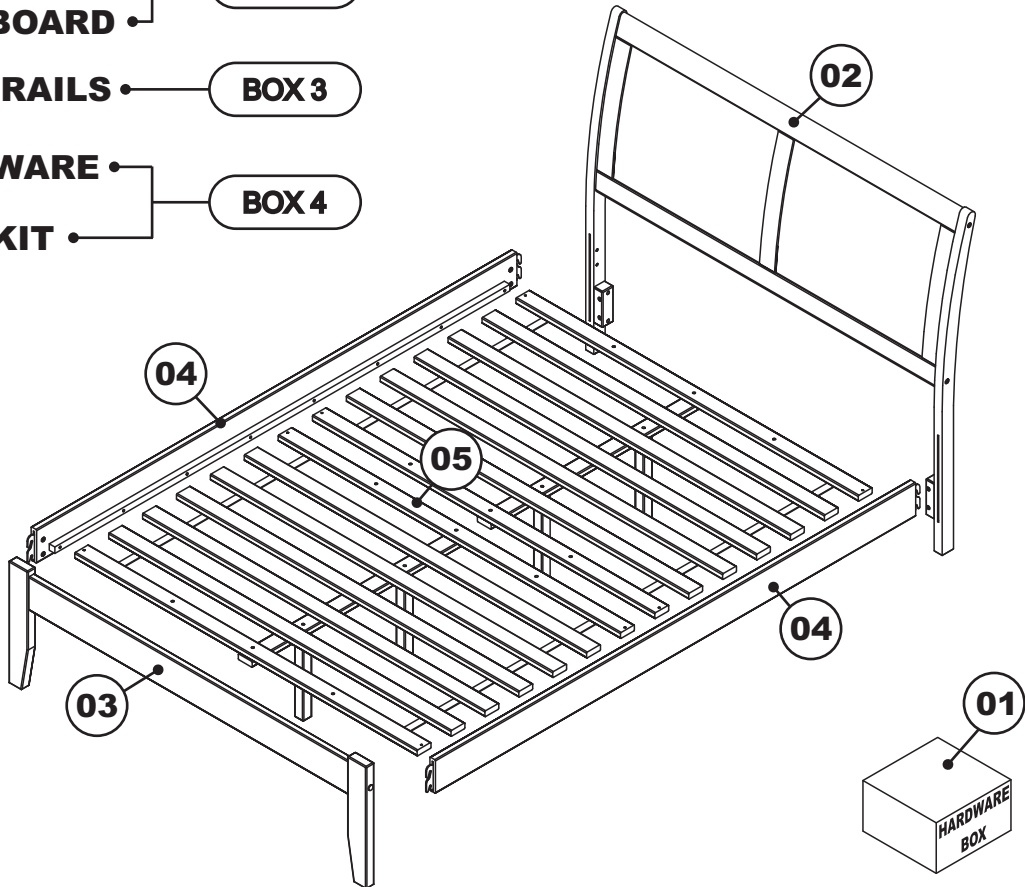
BED SHOWN WITH FLAT PANEL FOOTBOARD



BED SHOWN WITH MATCHING FOOTBOARD

# PARTS LIST

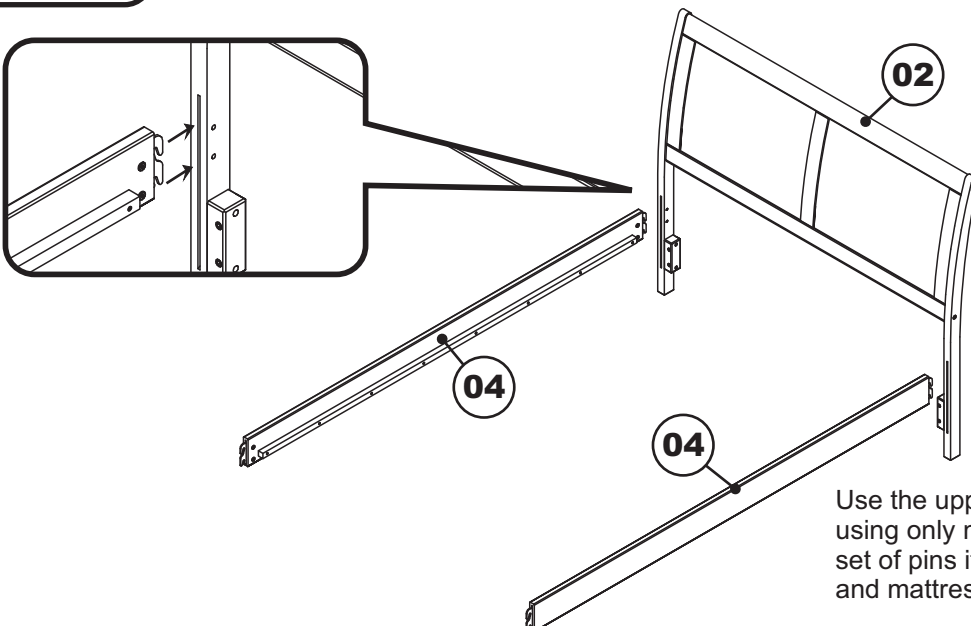
- 01 HARDWARE — BOX 1
- 02 HEADBOARD — BOX 1
- 01 HARDWARE — BOX 2
- 03 FOOTBOARD — BOX 2
- 04 LONG RAILS — BOX 3
- 01 HARDWARE — BOX 4
- 05 SLAT KIT — BOX 4



BED SHOWN WITH OPEN FOOTRAIL

## Step 1

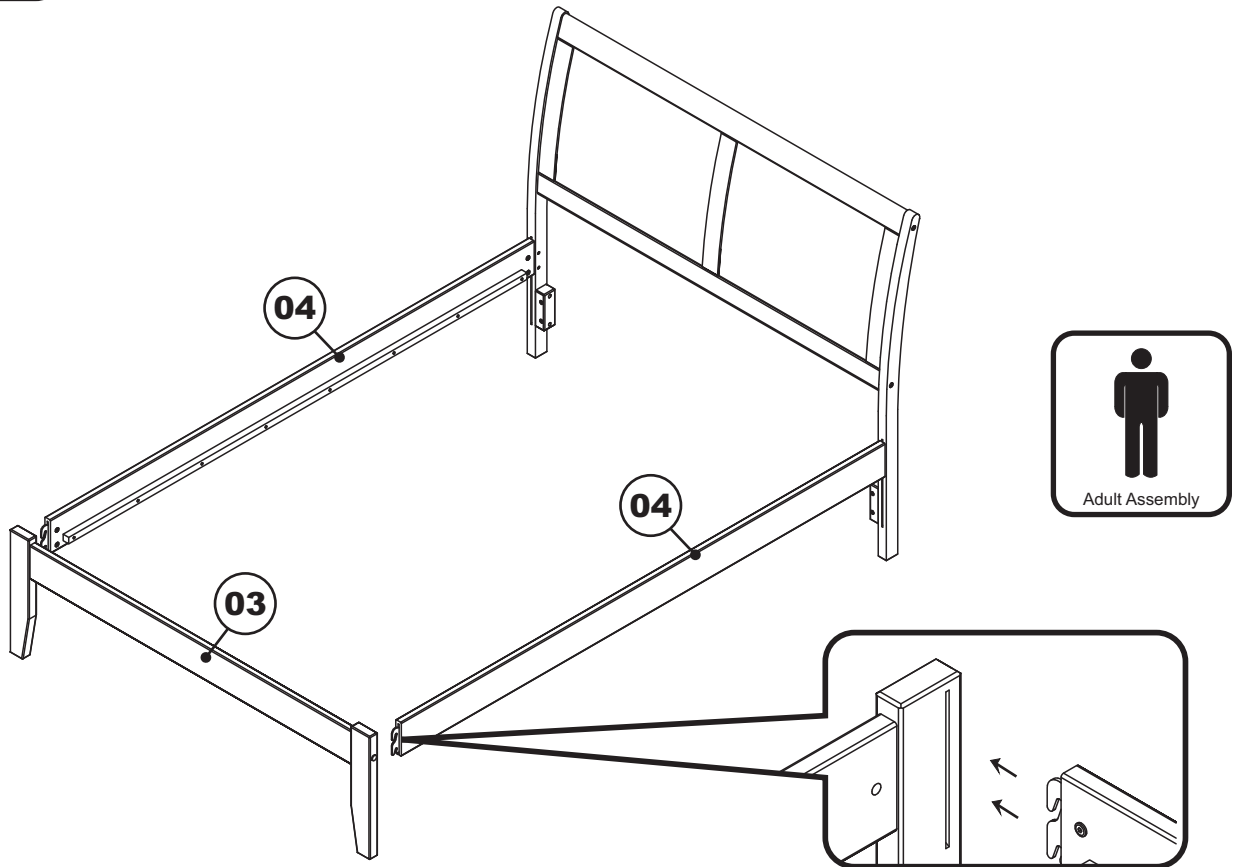
Attach the long rails (04) to the headboard (02) using the bed hook as shown below.



Use the upper set of pins when using only mattress, use the lower set of pins if using both box spring and mattress.

**Step 2**

Attach the long rail assemblies (04) to the footboard (03) using bed hook as shown below.



BED SHOWN WITH OPEN FOOTRAIL

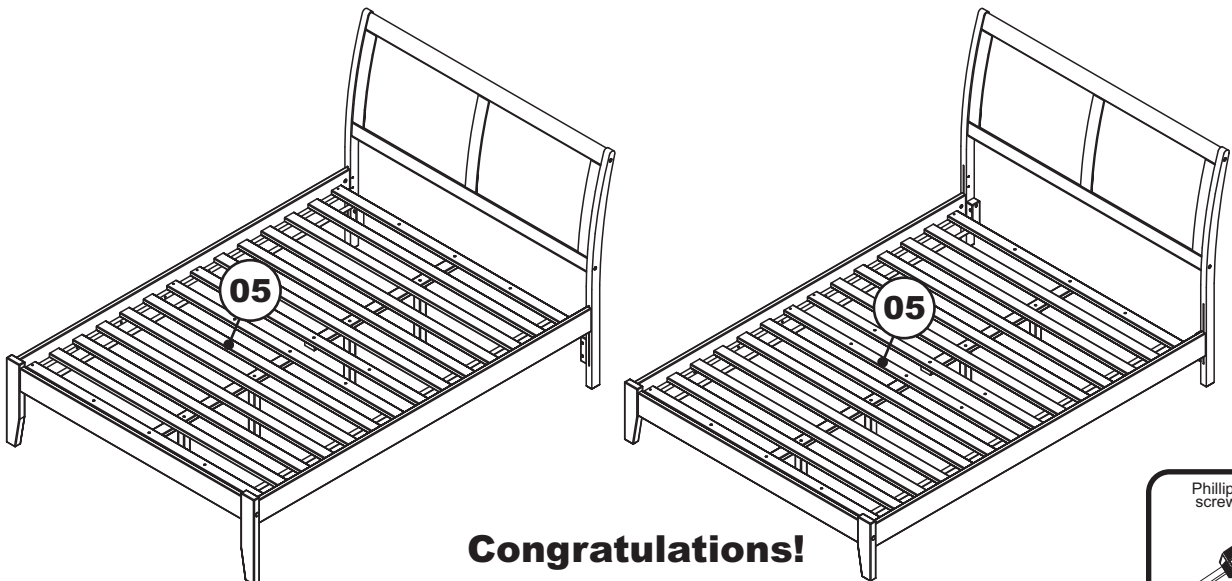
**Step 3**

Lastly, lay slat kit (05) onto the bed. For slat kit assembly, follow the assembly instructions included with slat kit.

BED SHOWN WITH OPEN FOOTRAIL

PLATFORM BED - TALL HEIGHT

TRADITIONAL BED - LOW HEIGHT

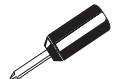


**Congratulations!**

Your bed is now ready for use.

To ensure lasting safety, we recommend that you periodically check that all screws are tight and all parts are secure.

Phillips head  
screwdriver



Customer supplied

# HEADBOARD

attach to metal frame sold separately

## ASSEMBLY INSTRUCTIONS

Before assembling your Bed, please read through these instructions carefully and familiarize yourself with the different parts.

Instructions apply for all bed sizes  
Twin > Full > Queen > King



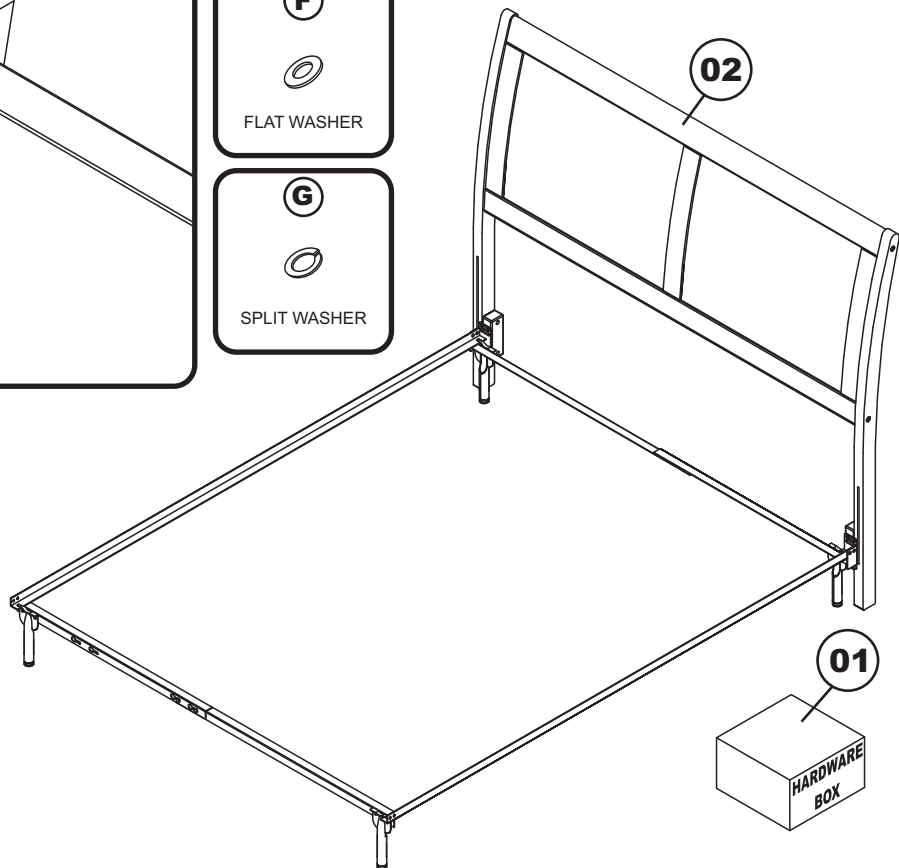
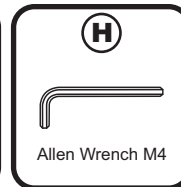
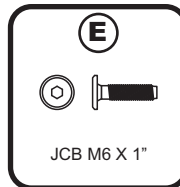
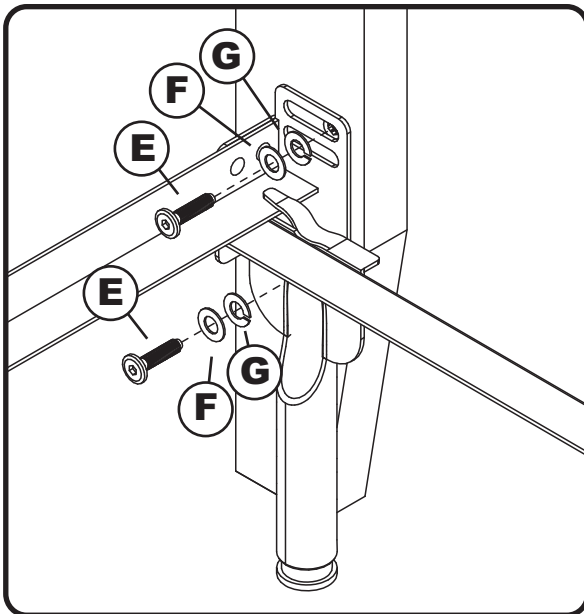
Adult Assembly

## PARTS LIST

- 01 HARDWARE
- 02 HEADBOARD

### Step 1

Attach the headboard assembly (02) to the metal frame using JCB (E), flat washer (F), and split washer (G) then tighten with Allen wrench, as shown below.



## Congratulations!

Your Bed is now ready for use.

To ensure lasting safety, we recommend that you periodically check that all screws are tight and all parts are secure.