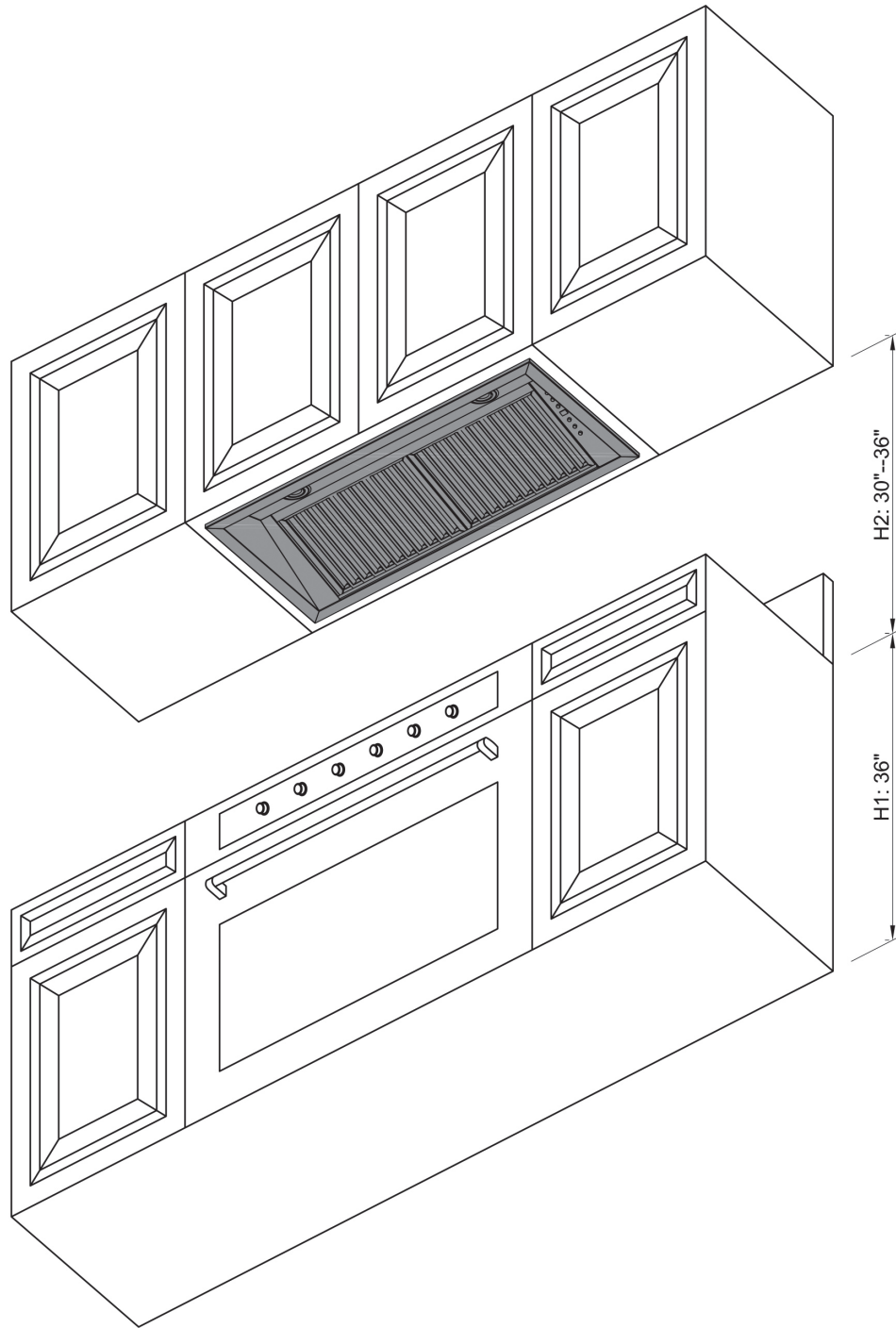


Range Hood Insert Installation



Installation
Tutorial Video



*When installing a range hood insert, it is recommended to install the unit at a minimum of 30" from the cooktop.

*For outdoor range hood inserts it is recommended to install the unit at a minimum of 36" from the grill top.

Range Hood Insert Installation

1

Unpack the contents of the hood. Attach transition piece and ducting to the top of the range hood insert. (Images 1 and 2)

2

Using L brackets and screws provided, attach L brackets to each side of the insert.

3

Lift the range hood insert into cabinet or custom hood structure. (Image 3)

Image 1

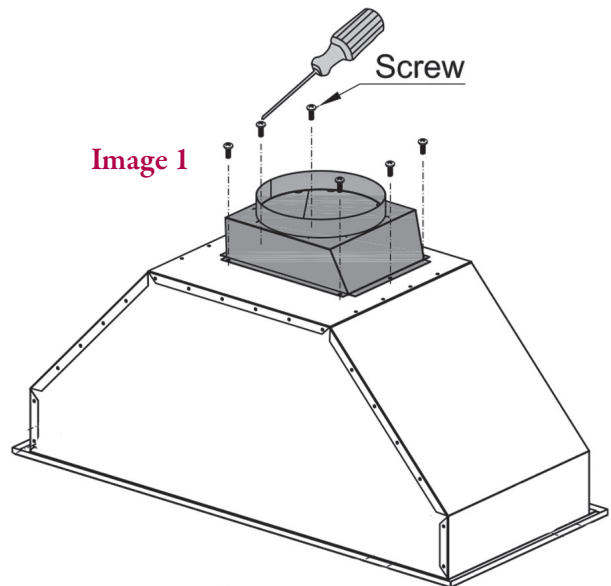
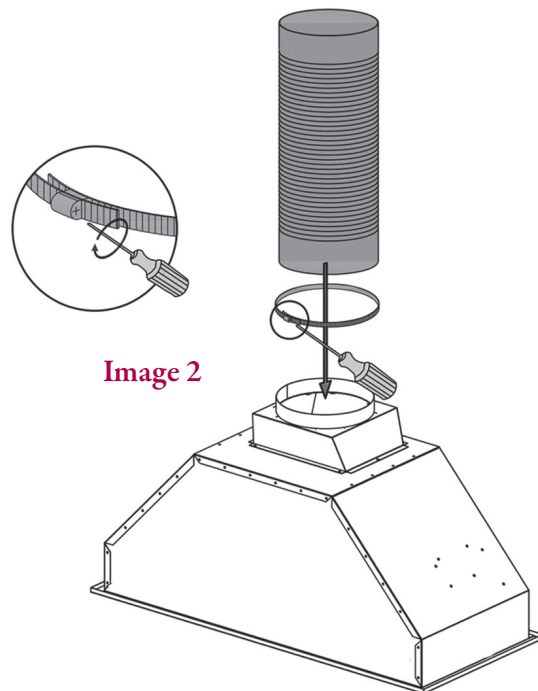


Image 2



Installation Option 1

- 1 Follow instructions for wall hood mount to mount the range hood.
- 2 Attach brackets provided to the remote blower.
- 3 Install remote blower unit in the attic, crawl space, DO NOT install outside of the home, must be attached to a joist, stud or rafter.
- 4 Connect ducting from the hood to the remote blower unit.
- 5 Connect ducting to the other side of the remote blower to outdoor where you will vent your hood.
- 6 Connect the electrical cord from the remote blower unit to the connection on the hood itself. Make sure all connections are secure.

Image 3

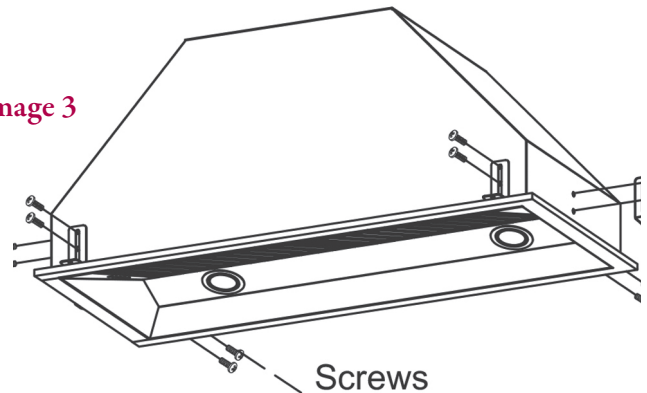
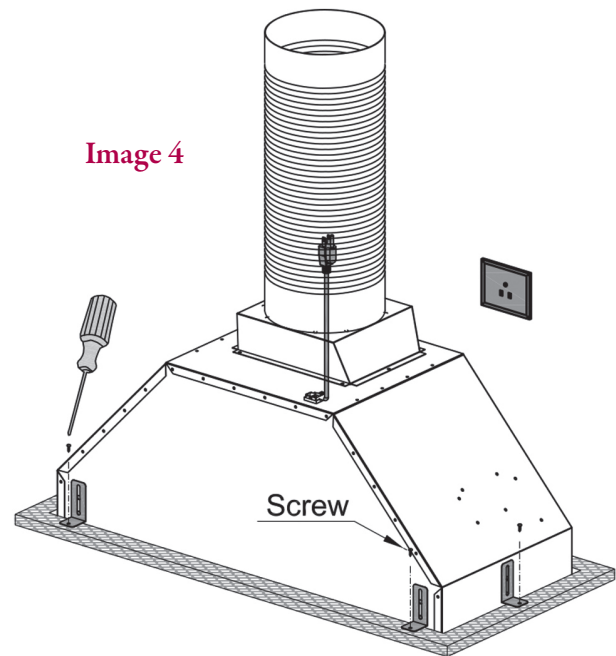


Image 4



★ *Due to some installation differences with custom hoods the L brackets may not work. Before installing insert please determine if the insert will work for your installation needs. You may predrill holes into the insert unit to accommodate for custom hood installations.*

*Note: Electrical cord is 26' in length.

*Note: Make certain to connect the electrical cord to the hood and plug the blower motor in to test the unit.

Installation Option 2: Drill To Fit

- 1 Measure the thickness of your fixture and match correct length of #10 wood screws so they will not protrude after drilling insert into fixture.
- 2 Pre-drill holes through steel of the range hood where you will put the screws into the fixture.
- 3 Drill approximately 10 screws into fixture to attach insert securely (see figure)

