

# USER MANUAL

Thank you for purchasing our product.

For questions or assistance on assembly, parts or installation, please contact customer support.

Please include the product number, order number if any, and your phone number in the email.

If there are broken or missing parts, please include the part numbers and quantities, and your address. We will ship you the replacement parts.

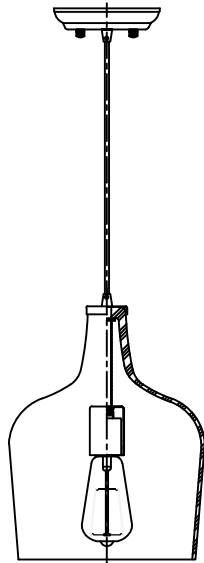
All emails will be answered within 24 hours.

For hard to explain problems, please send us a few pictures showing the problems if you can.

We involve the factory technicians directly in the support, so you can be assured you will deal with the experts.

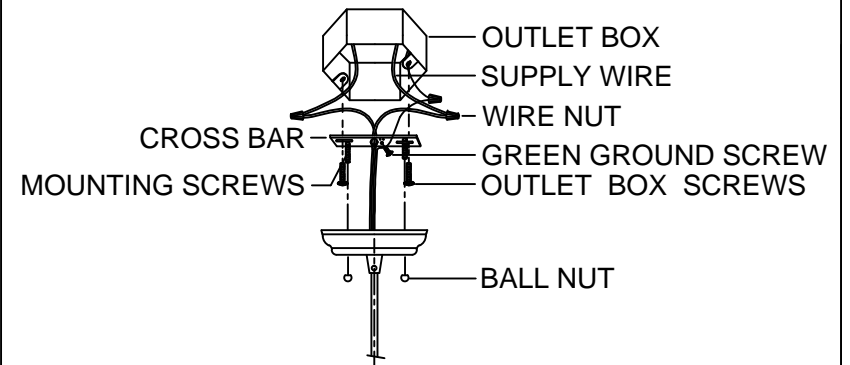
## CAUTION

1. Rated 110~130V/60Hz, bulb 40W-60W maximum.
2. Care should be taken to avoid damage to the surface of lighting and wire. Wearing gloves are recommended when installing.
3. Keep lighting away from acid, alkali and other corrosive chemical or gas, clean the lighting with clean soft cloth only.
4. Installation must be carried out by qualified electrician only.
5. Disconnect the power before installing, cleaning and replacing lighting.
6. Never cover the lighting when power is connected.

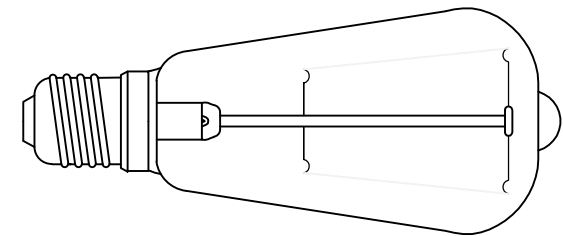


The wiring connection of luminaire and outlet box

Connect the positive electrode of the main wire that is marked, to the positive electrode of the outlet box supply wire. Connect the negative electrode of the main wire that is unmarked, to the negative electrode of the outlet box supply wire. Connect the fixture ground wire to the outlet box ground wire with wire connectors .



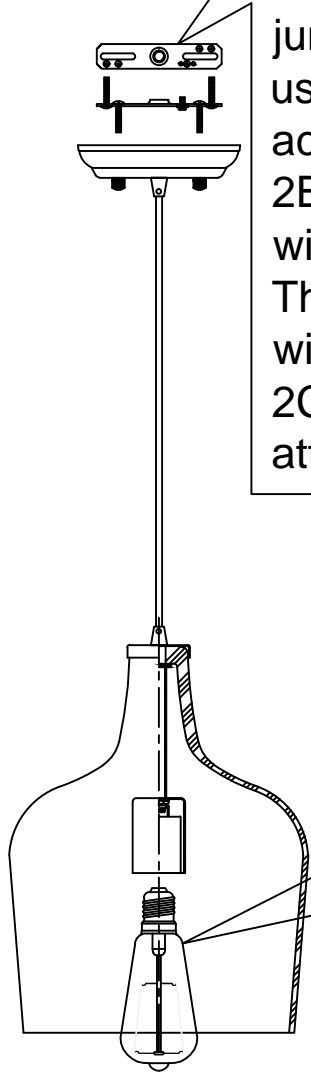
Requires E26 40W-60W bulb (not included)



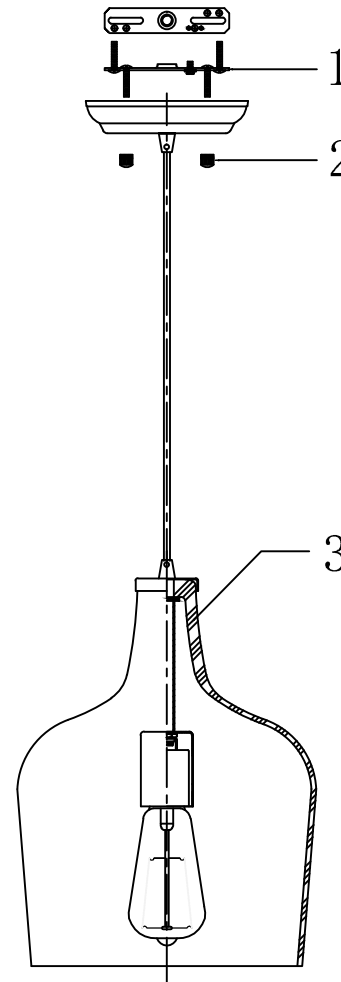
# INSTRUCTION

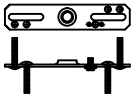

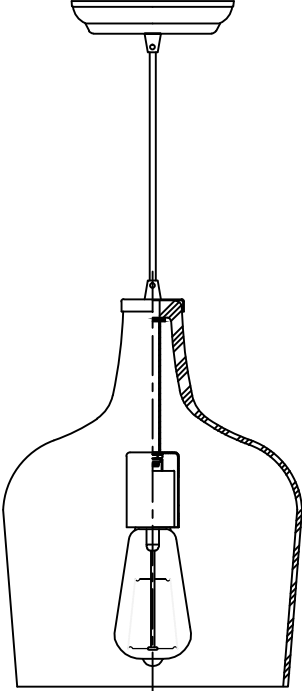
Please note: The parts in this table are completely unassembled, for illustrative purpose. In the actual product that you receive, some parts are assembled and attached together.

2A. Lock the crossbar on the junction box of the ceiling by using 2 pcs of 5/32 screws in the accessories bag.  
 2B. Connect the wires. The black wire is the hot /positive ( + ) wire. The white wire is the negative ( - ) wire.  
 2C. Cover the ceiling canopy and attach the screws to the canopy.



1. Install the E26 bulb (Not included).



Part Number	Picture	Quantity
1		1
2		2
3		1