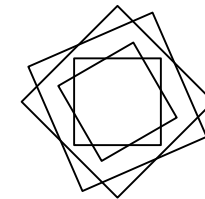
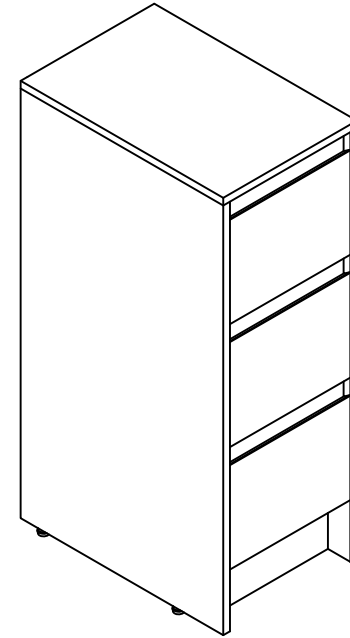


Installation Manual-BV B120 E12B

MOTIVATE  
YOUR LIFE !

## THANKS FOR WATCHING

Your feedback is invaluable to us and we would love to hear about your experience. Please take the time to leave us a review.



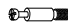


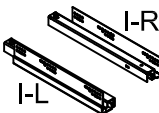




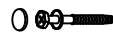


## Thank you for shopping with us!

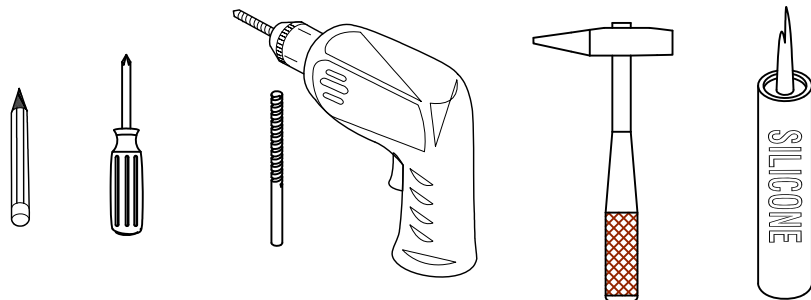
We encourage you to take a few minutes to go through this booklet. It contains important information on installation and care tips to keep your furniture looking as good as new.

# Item NO.:BV B120 E12B

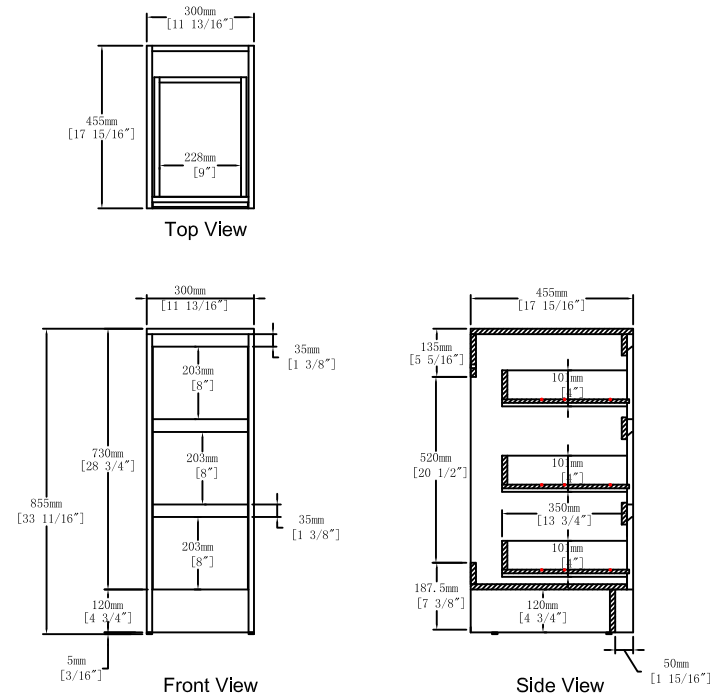
## Hardware

NO.	Draw	QTY	NO.	Draw	QTY
A	 Screws Ø4x14mm	30	G	 Screws Ø4x20mm	6
B	 Two-in-one connector	57	H	 Adjustable feet	4
C	 Two-in-one connector	57	I	 Track	3
D	 Wood plug	8	J	 Anti-collision gasket	12
E	 Plastic anchor(Ø10mm)	2	K	 Screwdriver	1
F	 Screws for fix on the wall	2			

## Recommended tools



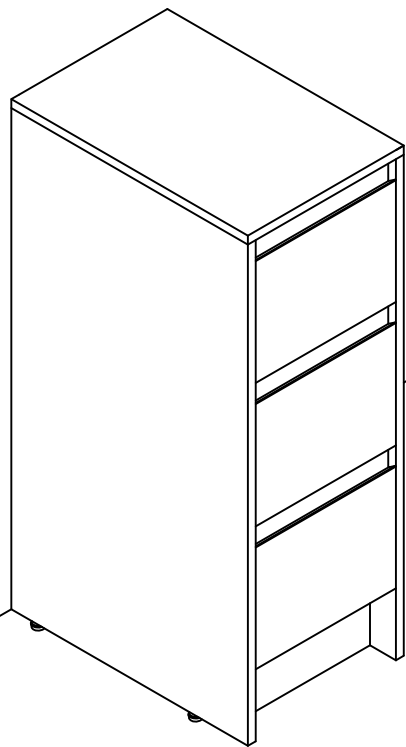
## Dimensions



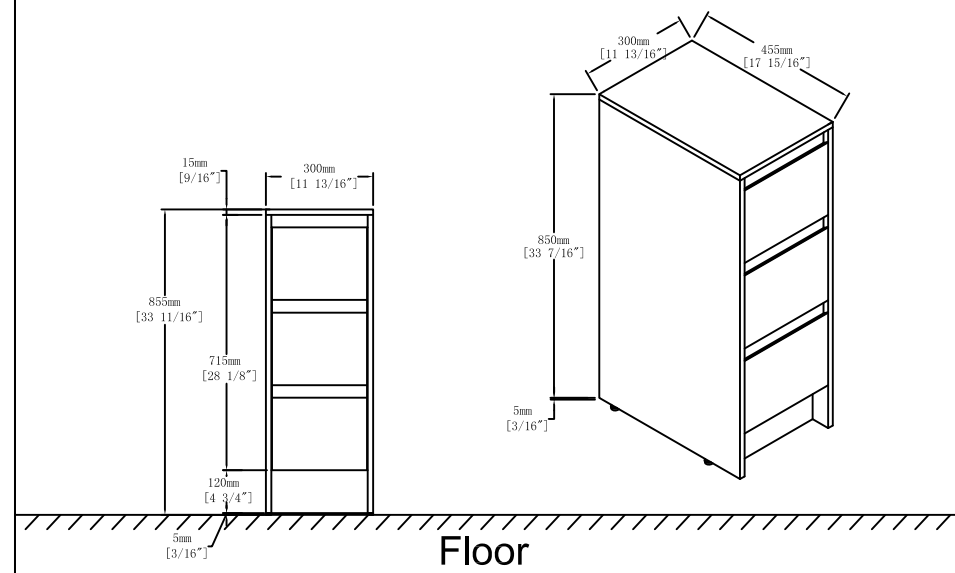
## CARE CLEANING AND MAINTENANCE

1. Dust regularly with a soft , dry cloth.
2. Avoid the use of all chemicals household cleaners, abrasives, or cleaners that contain lemon, vinegar, or other acids that may damage the finish.
3. Excessive exposure to sunlight and extreme changes in temperature and moisture can damage wood furniture.
4. Do not place hot appliances, such as curling irons and hot hair dryers directly on the countertop. Wipe spills immediately.

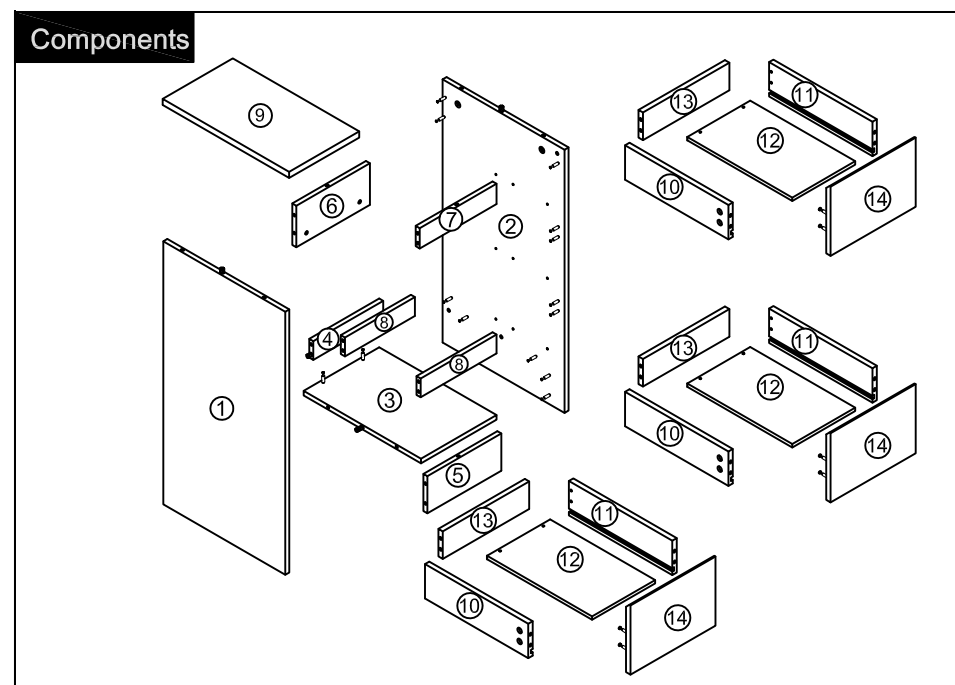
# Finished



# Dimensions



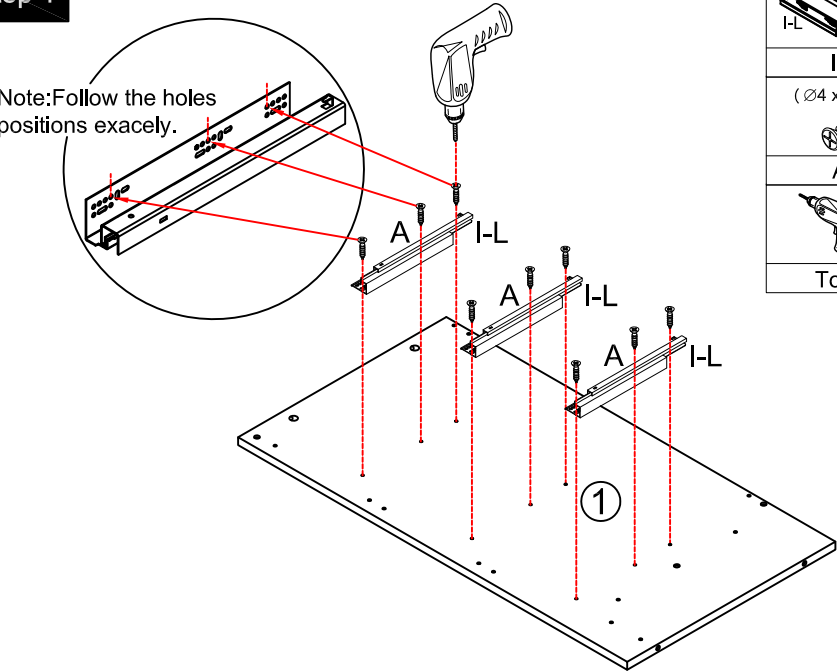
# Components



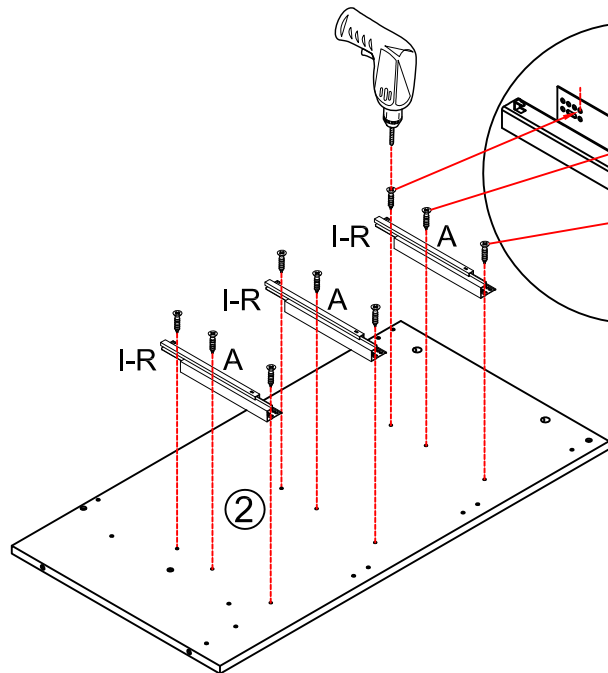
**Step 1**

Note: Follow the holes positions exactly.

- I-L I-R x3
- I
- (∅4 x 14mm)
- x18
- A
- Tool

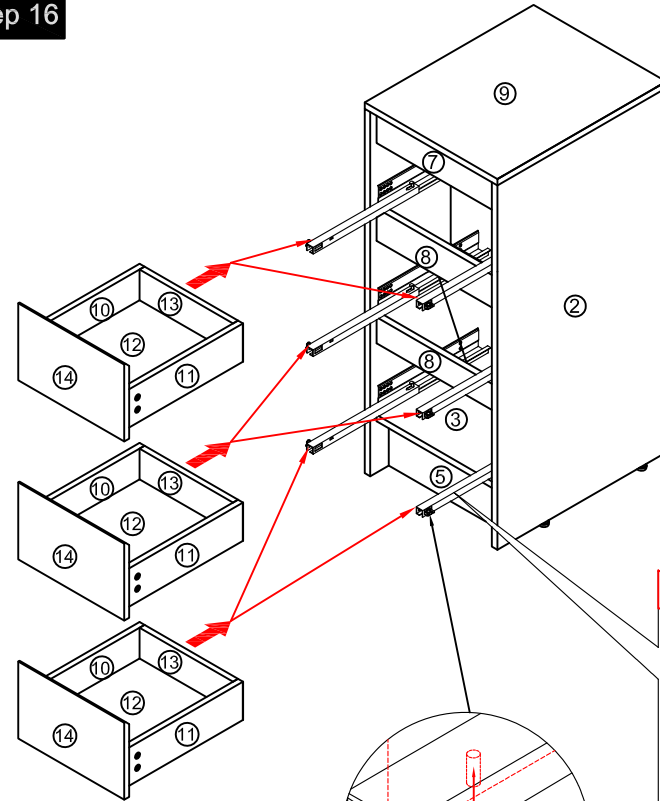


Note: Follow the holes positions exactly.

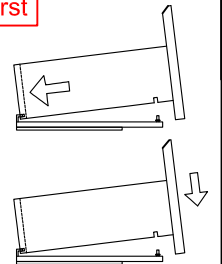


**Step 16**

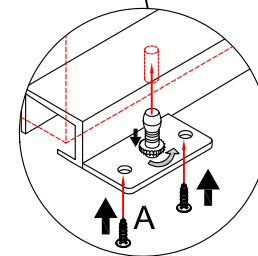
- (∅4 x 14mm)
- x12
- A
- Tool



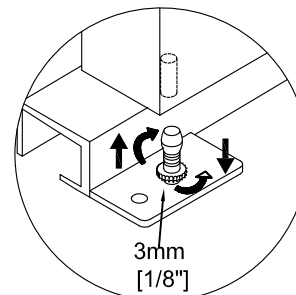
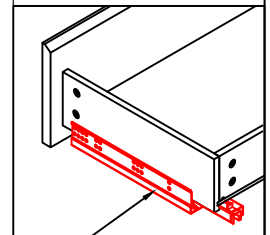
**First**



**Third step:** The bottom of the rail is fixed with screw A.

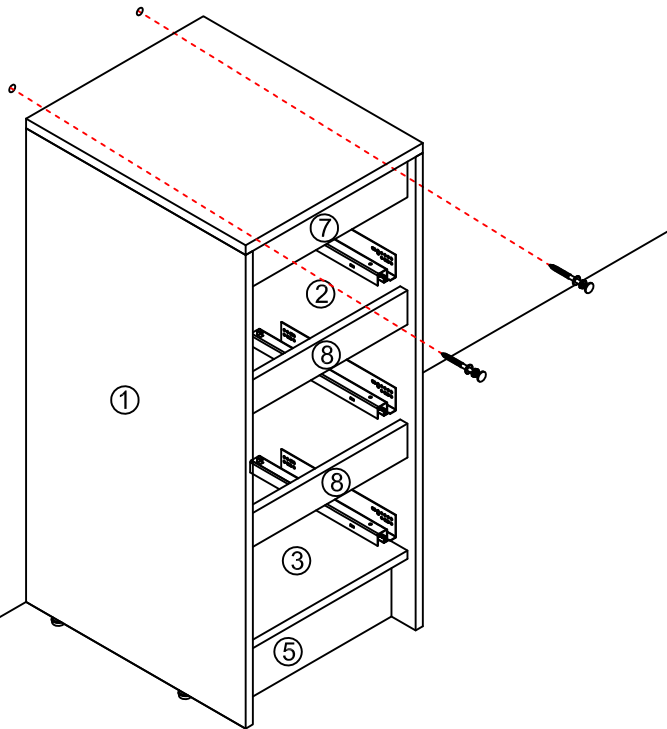
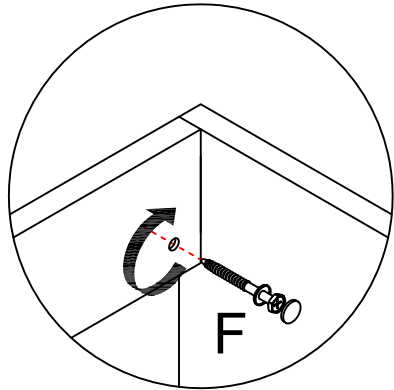
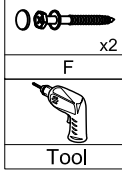


**Second step:** Tuck the rear holes.

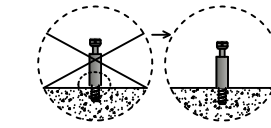
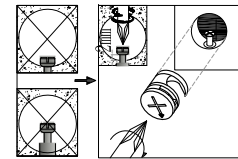
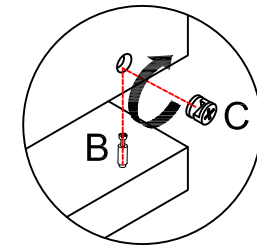
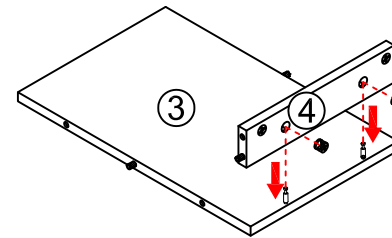
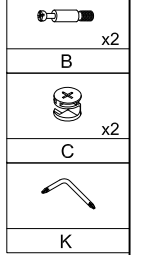


Note: The rails adjust their height 3mm.

### Step 15

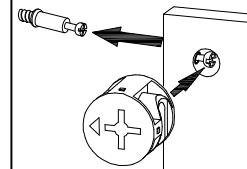


### Step 2

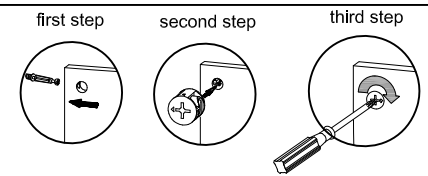
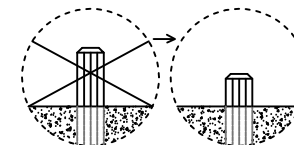
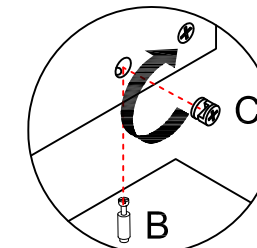
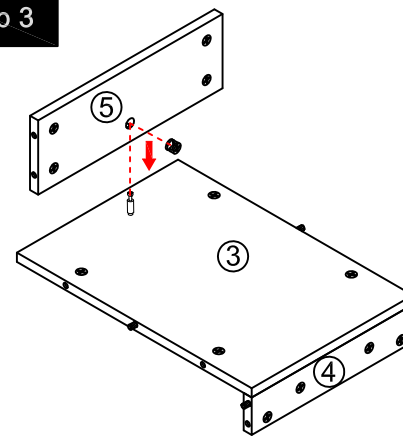
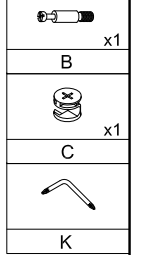


Notes: Screw installation depth as shown

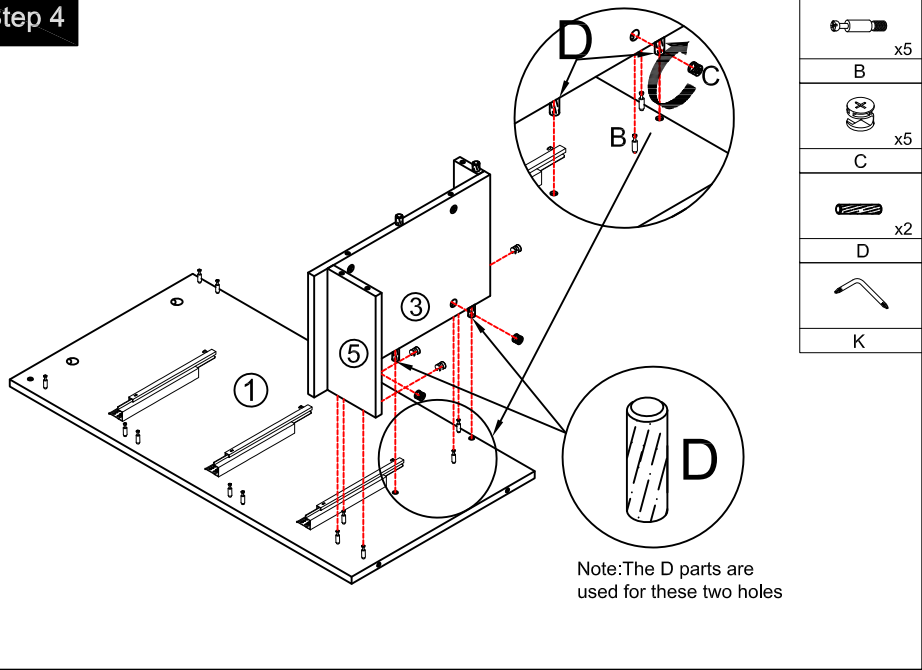
Attention: Cam lock arrow point to the steel rod.

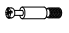





### Step 3

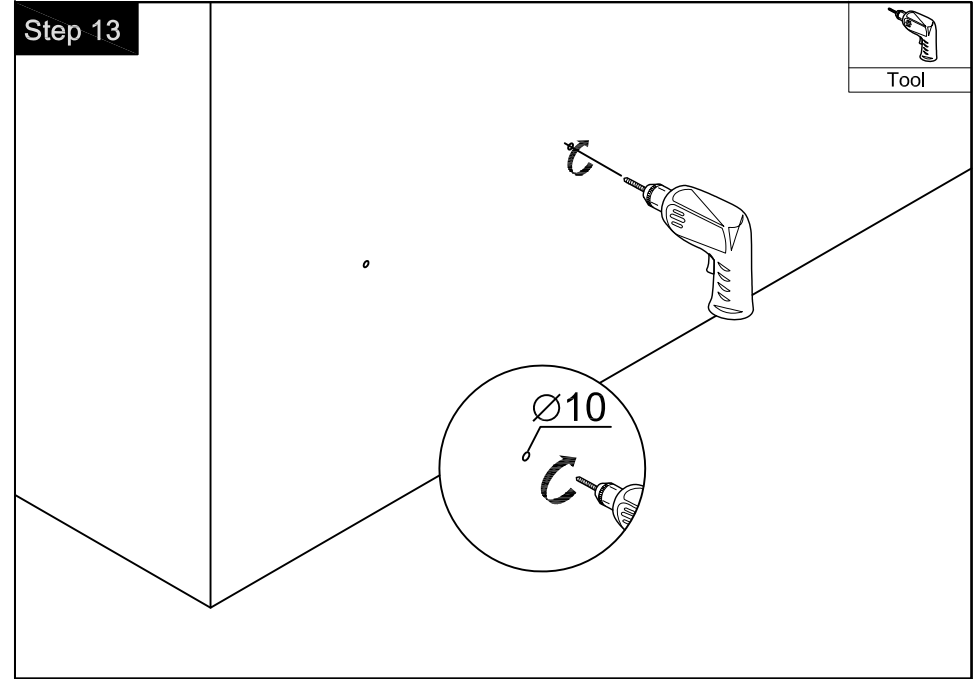


Step 4

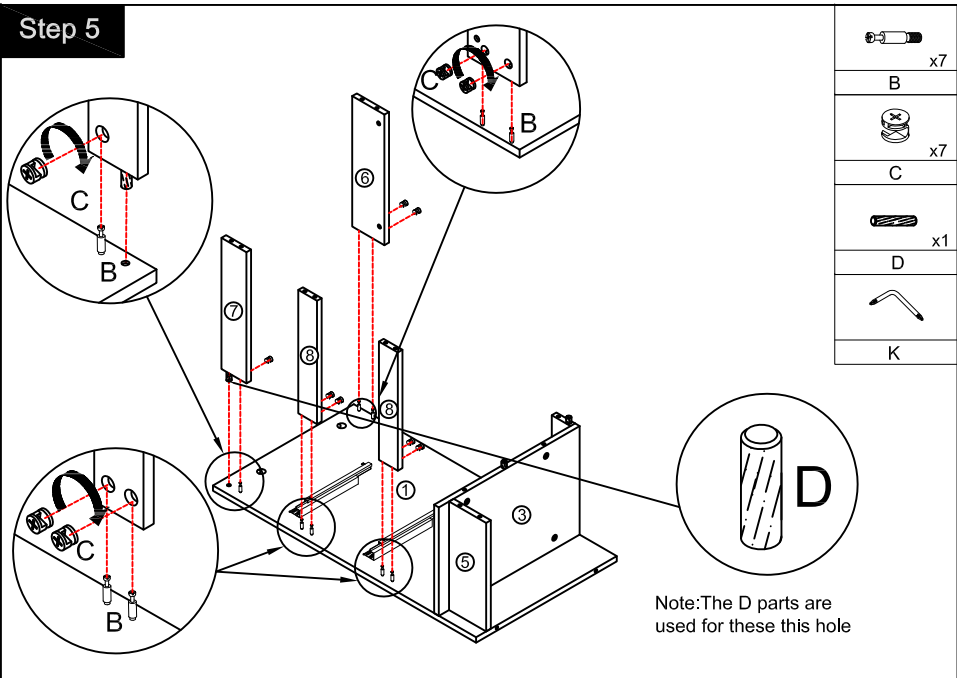


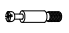


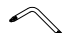
-  x5
-  x5
-  x2
- 

Step 13

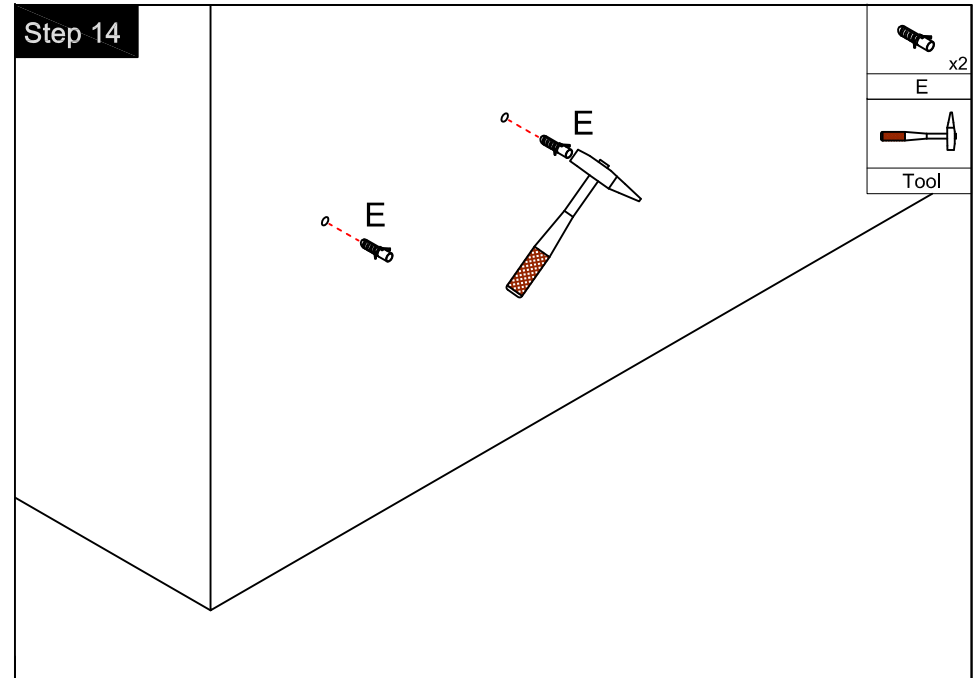


Step 5

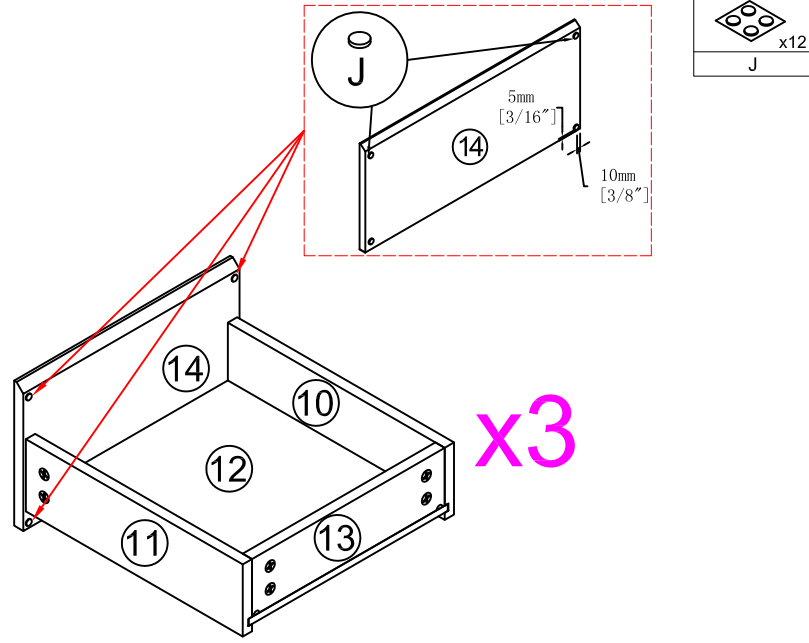


-  x7
-  x7
-  x1
- 

Step 14

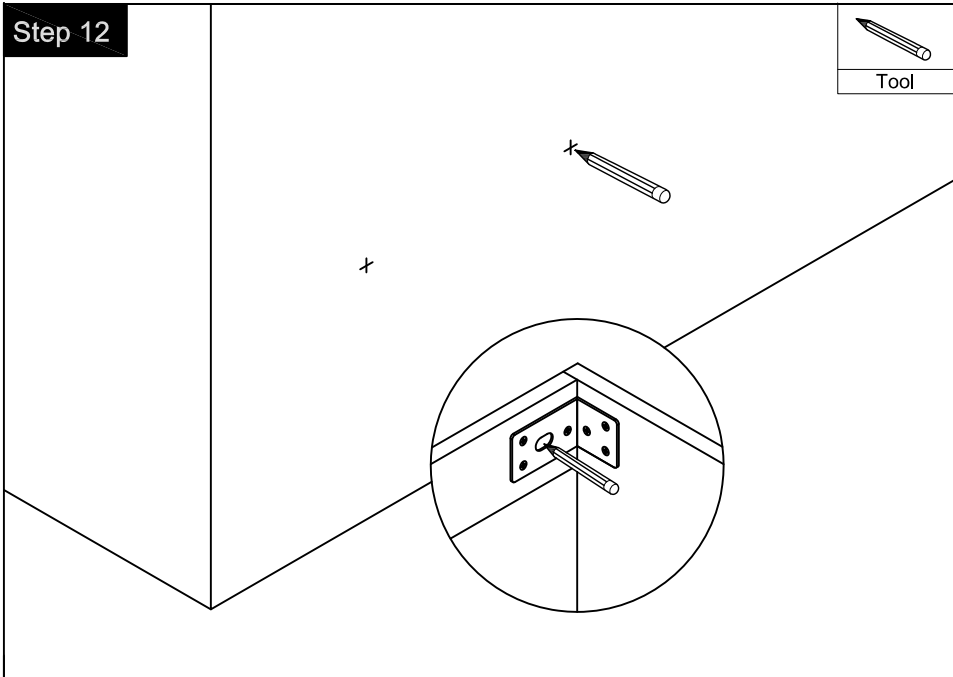


Step 11

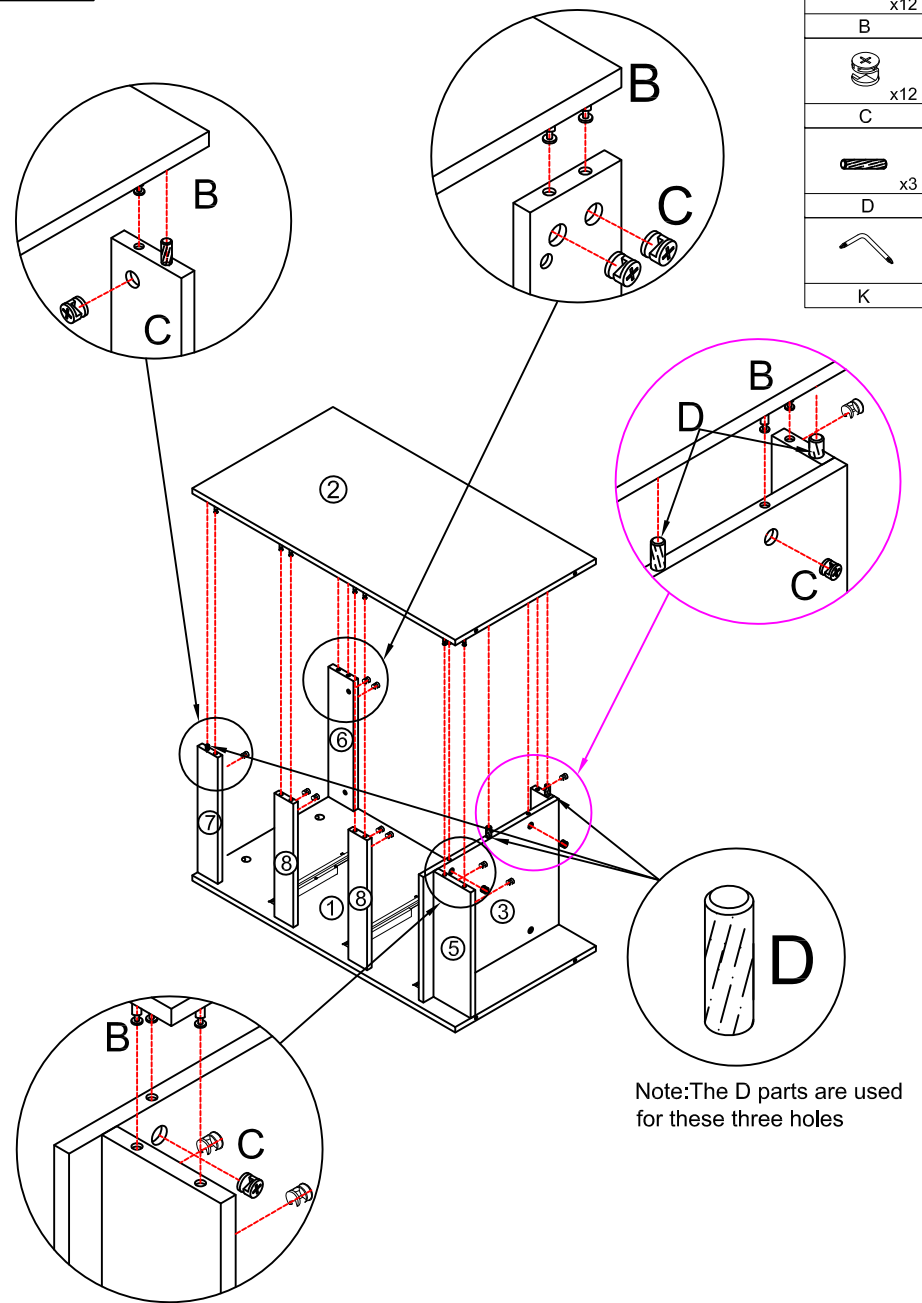


x3

Step 12



Step 6



- x12
- B x12
- C x12
- D x3
- K

Note: The D parts are used for these three holes

