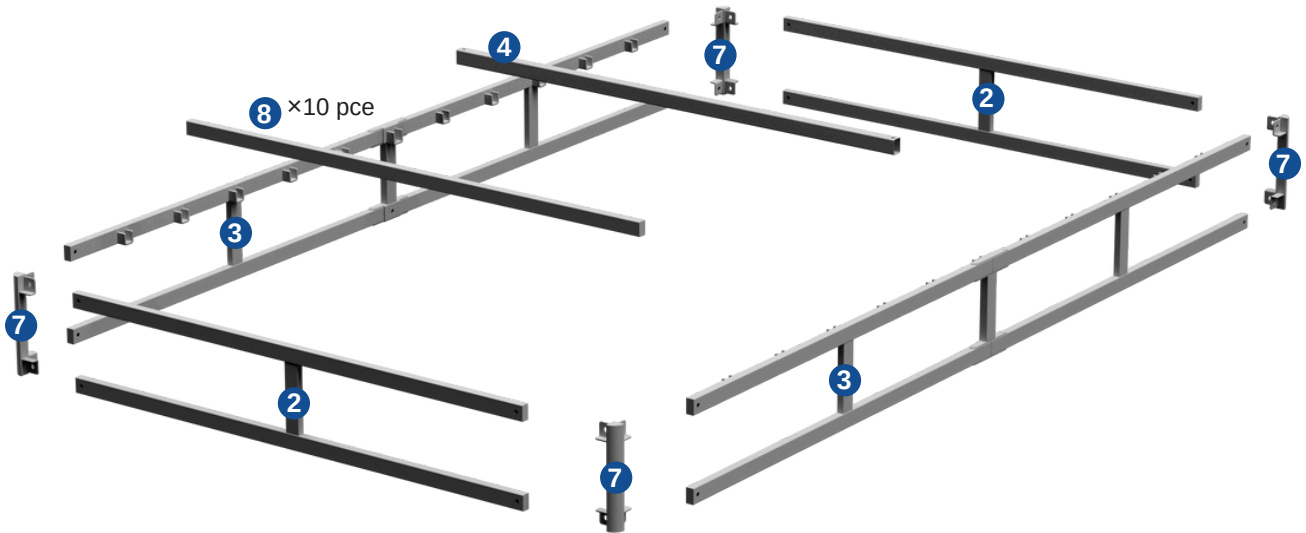


EASE AS 1-2-3 Assembly Instruction

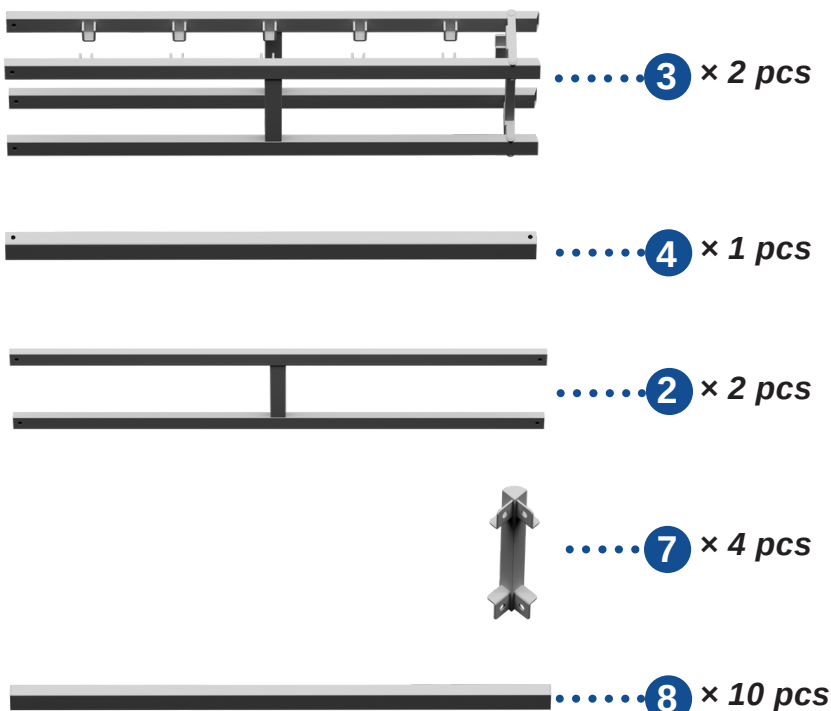
Numbers must Match for Secure Assembly



BOX SPRING
SBS 250X-01-02

● Components

Please differentiate according to the letter of the label on the product.



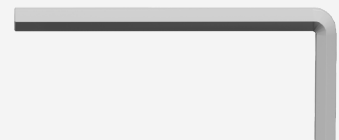
9 Fabric Cover × 1 pcs



S × 17 pcs

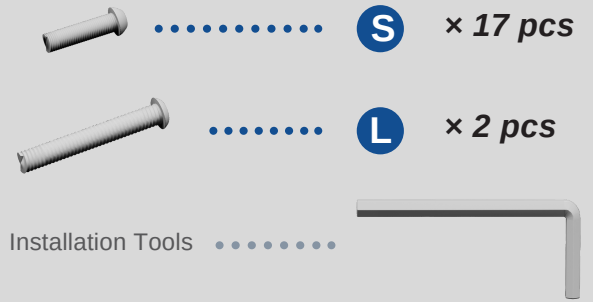
L × 2 pcs

Installation Tools



Accessories Package

We've included 1-2 spare screws in our toolkit as backup, should you need them during installation.



Before Installation

Safety First: Ensure that children and pets are not present in the installation area.

Verify Product Details: Confirm that you have the correct product model and all necessary components before proceeding with installation.

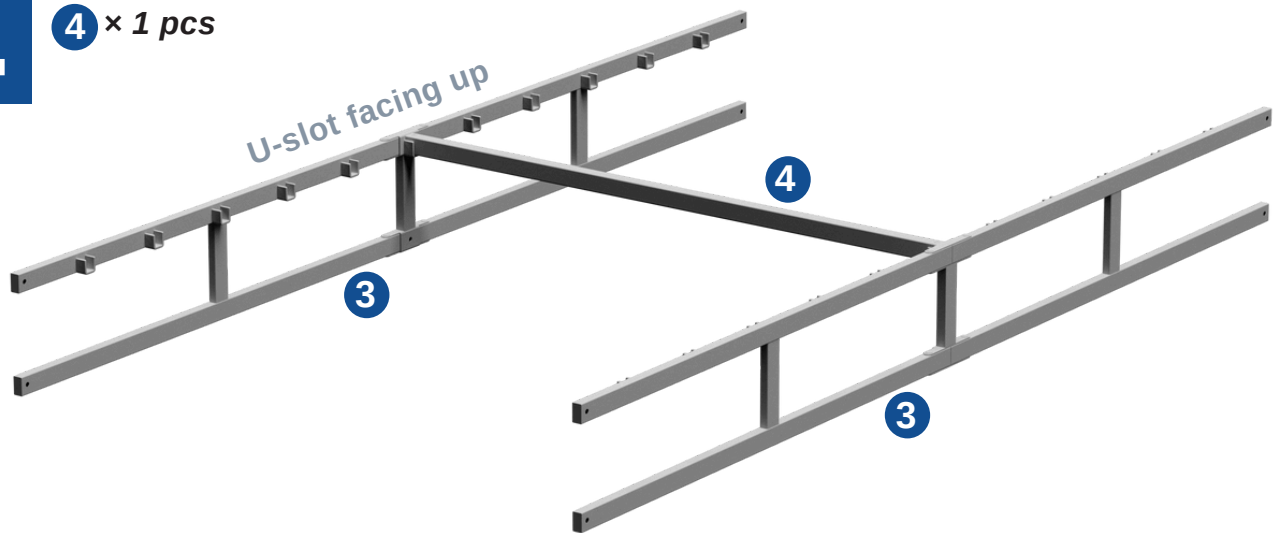
Don't Hesitate to Ask: If you have any questions or concerns, please don't hesitate to reach out to us for assistance.

1

3 × 2 pcs

L × 2 pcs

4 × 1 pcs

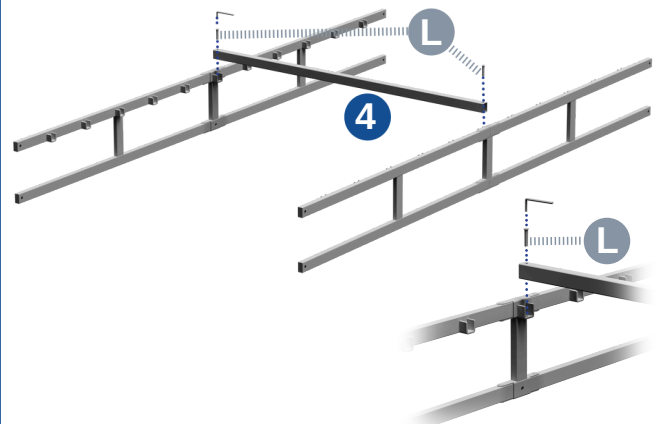


I



Expand Accessory C

II



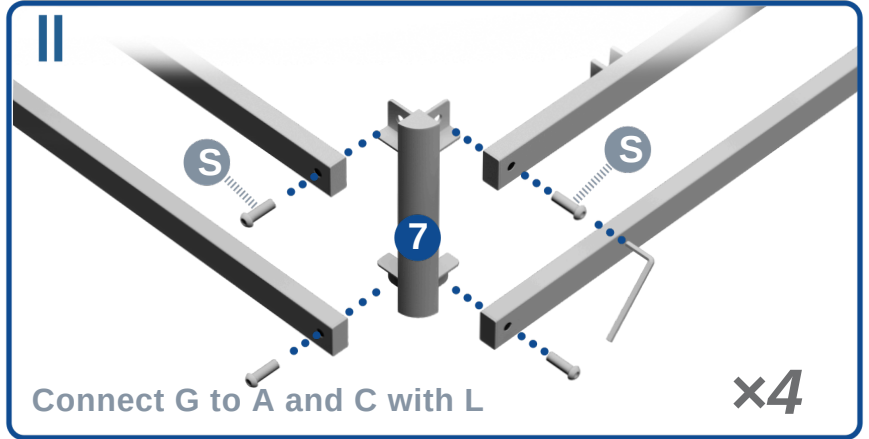
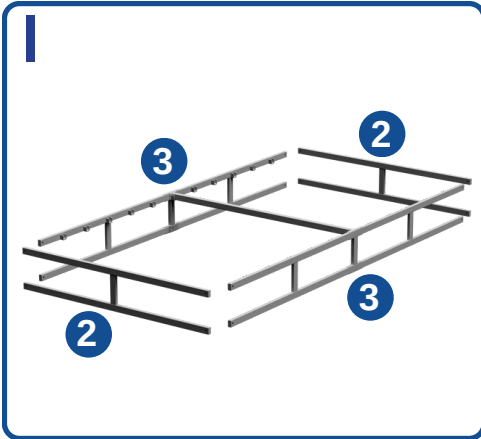
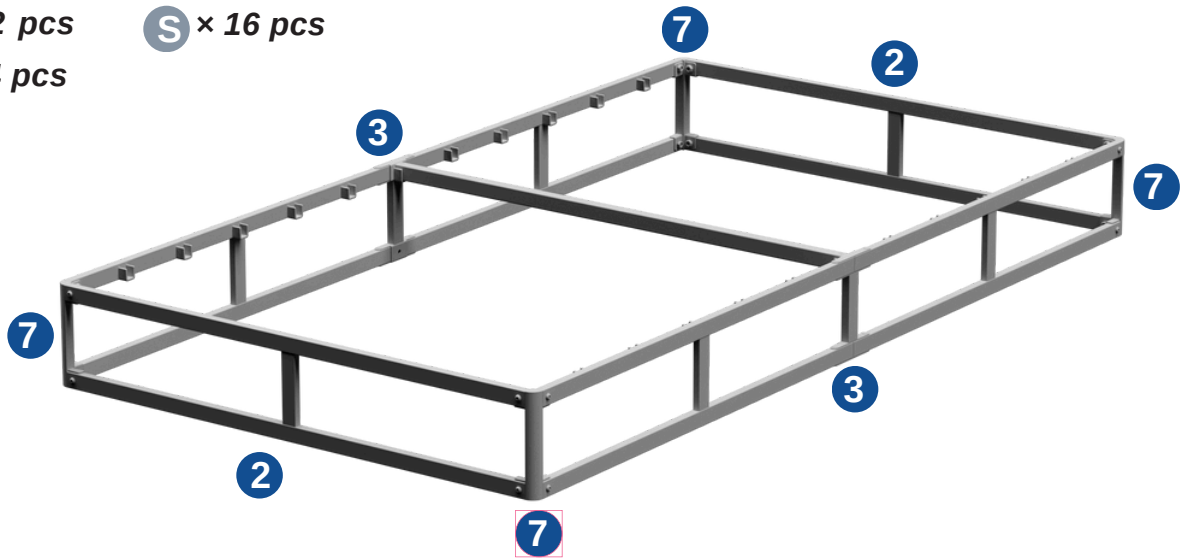
Use T to attach W to the product

2

2 × 2 pcs

S × 16 pcs

7 × 4 pcs



3

8 × 10 pcs

9 × 1 pcs

