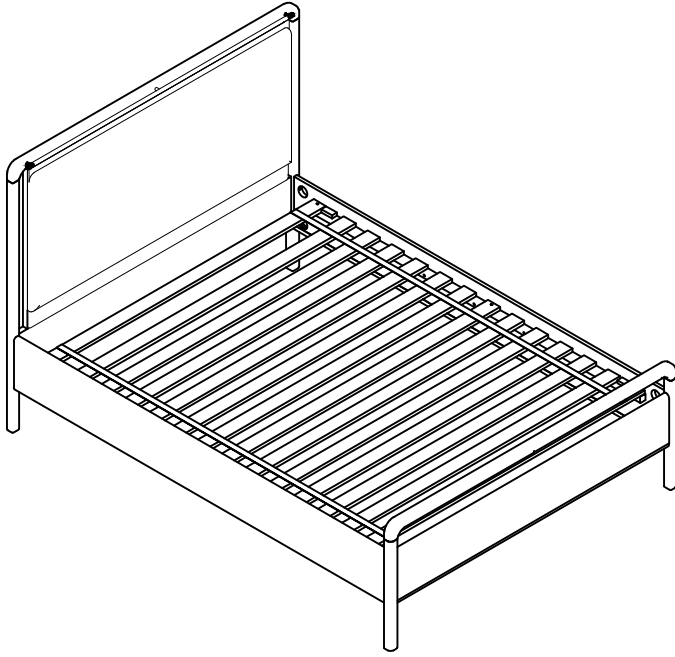
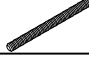





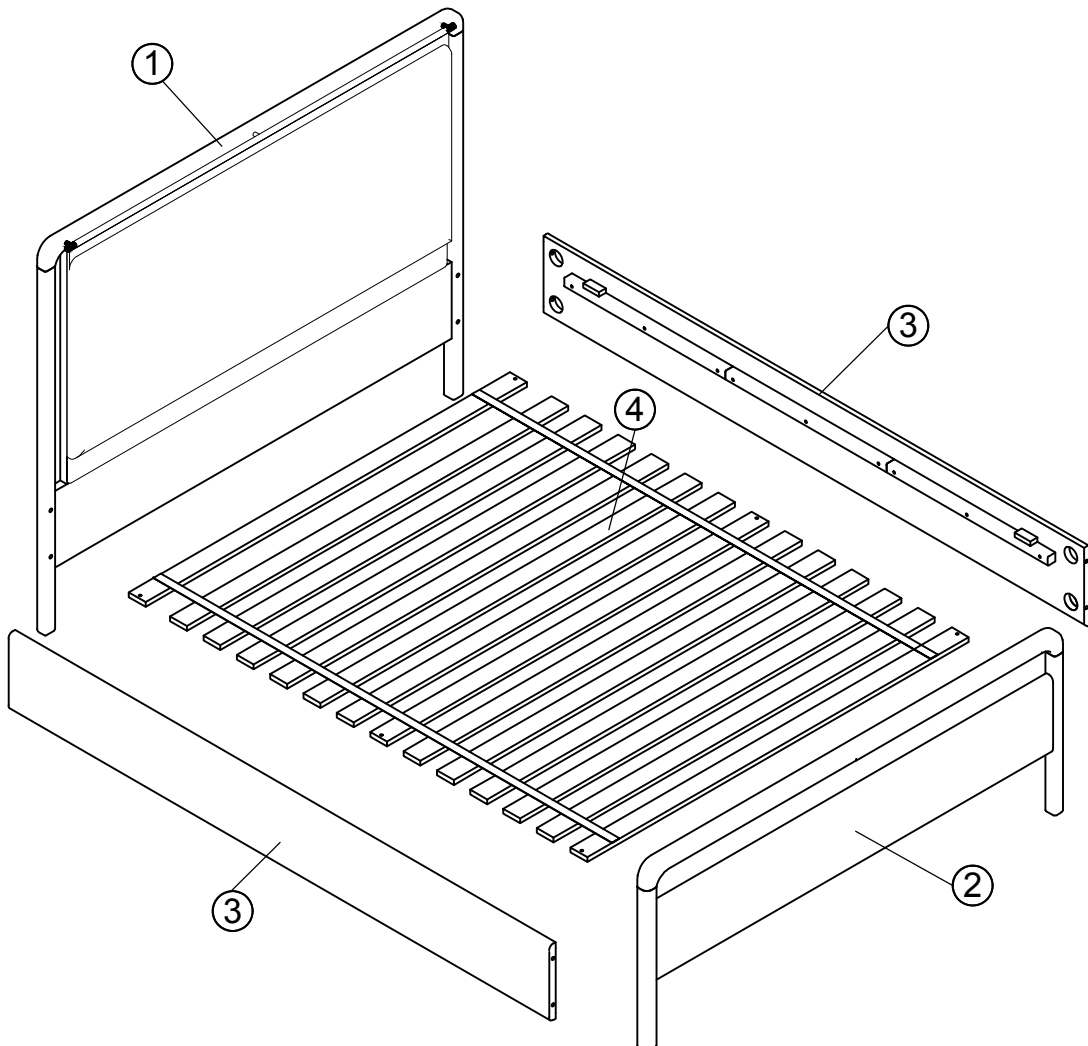


# ASSEMBLY INSTRUCTION FOR

## MODEL: ROSEDALE TWIN BED



HARDWARE LIST				
A		Bolt	Ø8 x 60mm	8
B		Hexagon Nut	M8	8
C		Lock Washer	Ø10 x Ø15mm	8
D		Arc Washer	2x16x26mm	8
E		Wrench	M8	1
F		Screw	Ø4 x 25mm	6



# ASSEMBLY INSTRUCTION FOR MODEL: ROSEDALE TWIN BED

