

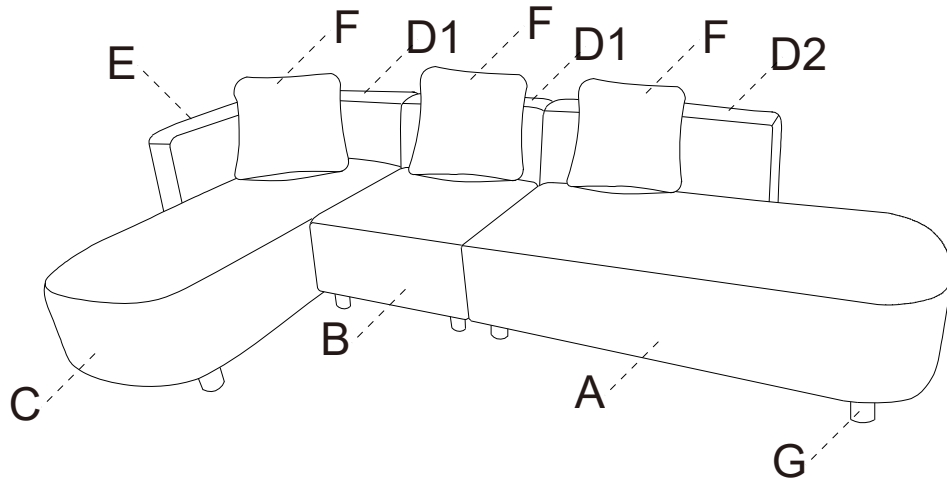
# Assembly Instructions

## ( XG-063-R )



Assemble on the pad to prevent scratching the product.

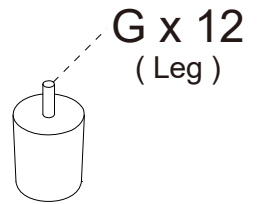
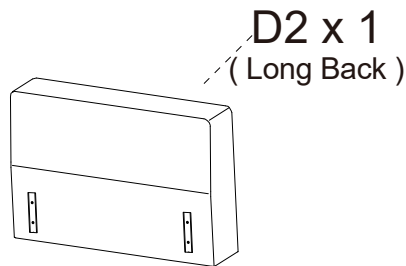
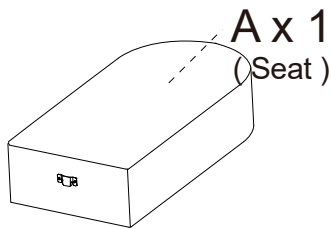
(Left-facing)



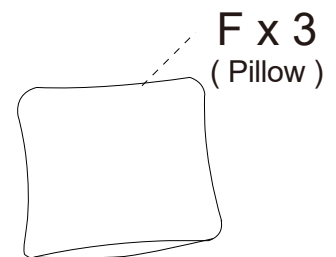
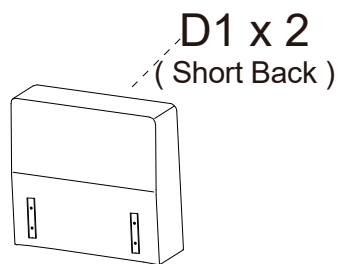
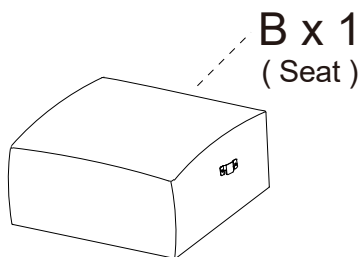
## Parts List

Some parts are in bottom of seat, Take out all parts and check QTY.

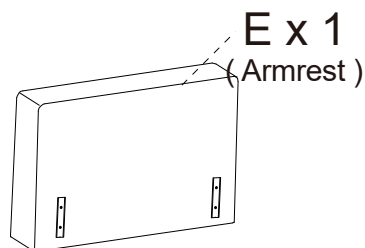
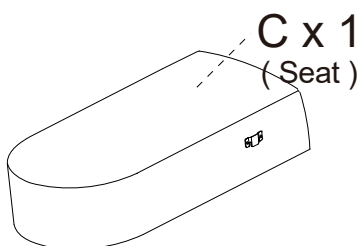
1/3  
carton



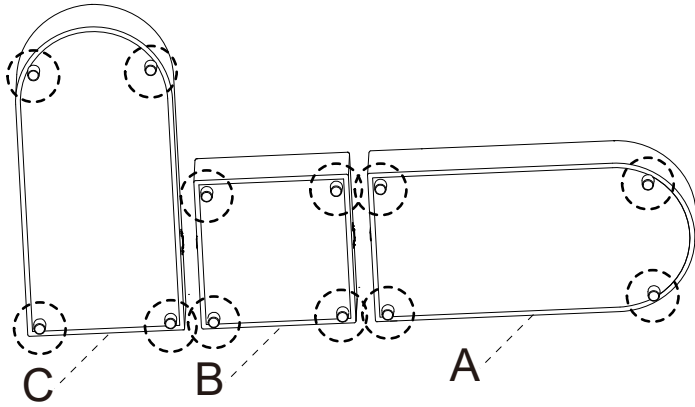
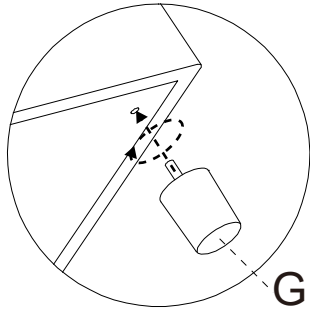
2/3  
carton



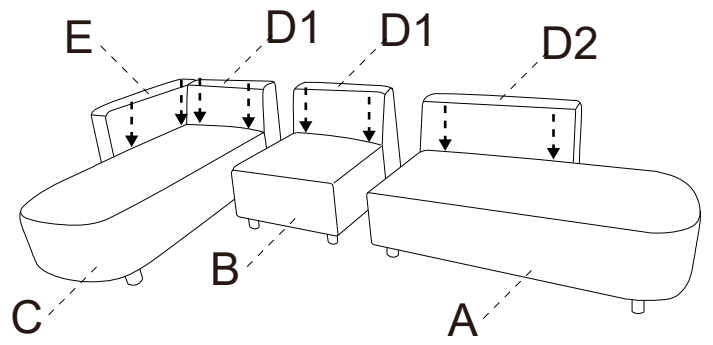
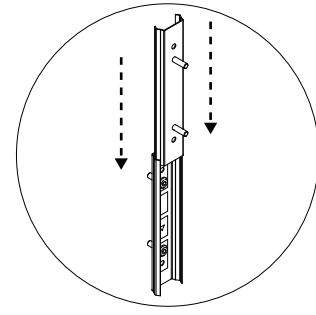
3/3  
carton



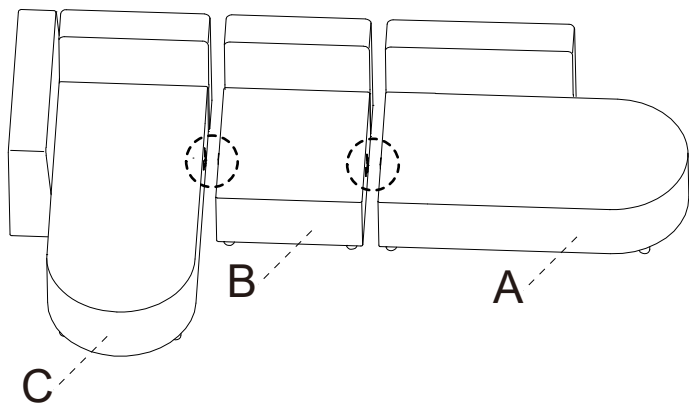
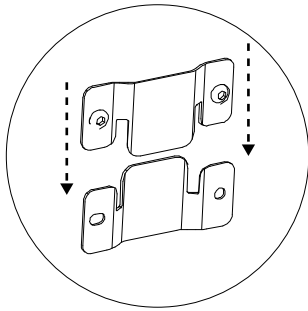
### Step 1



### Step 2



### Step 3



### Step 4

