

Assembly instructions for the sofa and coffee table. The instructions are organized into two rows, each with a warning icon, a list of tools and materials, a time estimate, and a person icon.

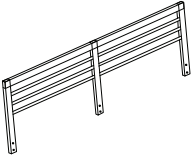
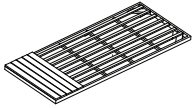
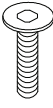
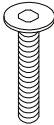
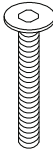
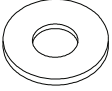
Row 1:

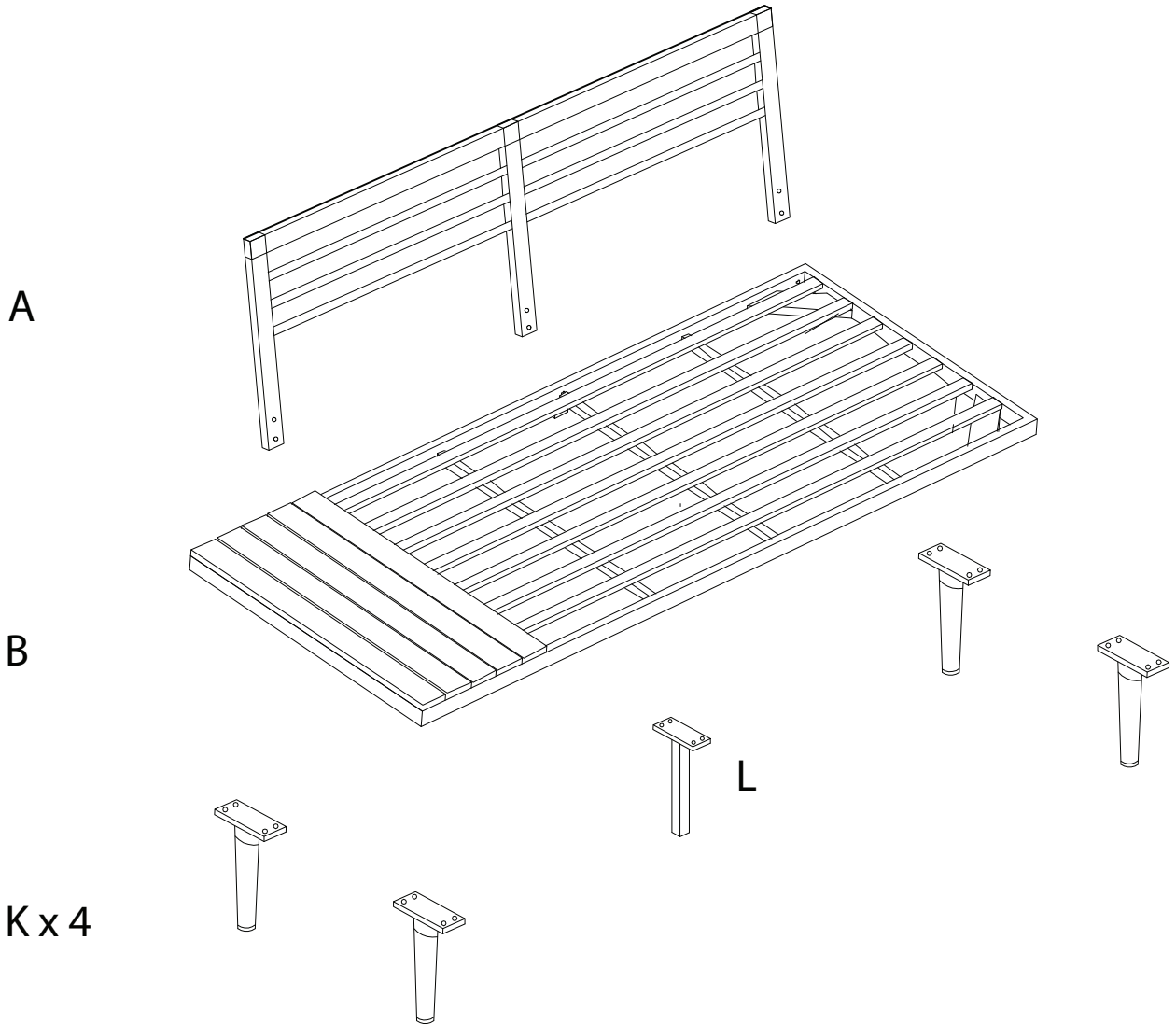
- Warning:** A triangle with an exclamation mark.
- Tools and Materials:** A circle containing an L-shaped corner bracket and a crossed-out power drill.
- Time:** A clock icon with the text "60'".

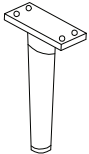
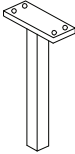
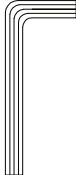
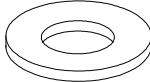
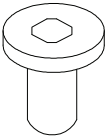
Row 2:

- Warning:** A triangle with an exclamation mark.
- Tools and Materials:** A circle containing a rectangular block on a slatted base and a crossed-out block with a screwdriver.
- Person:** A stick figure icon with the number "2" below it.

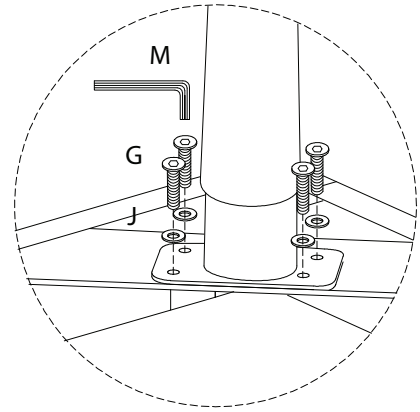
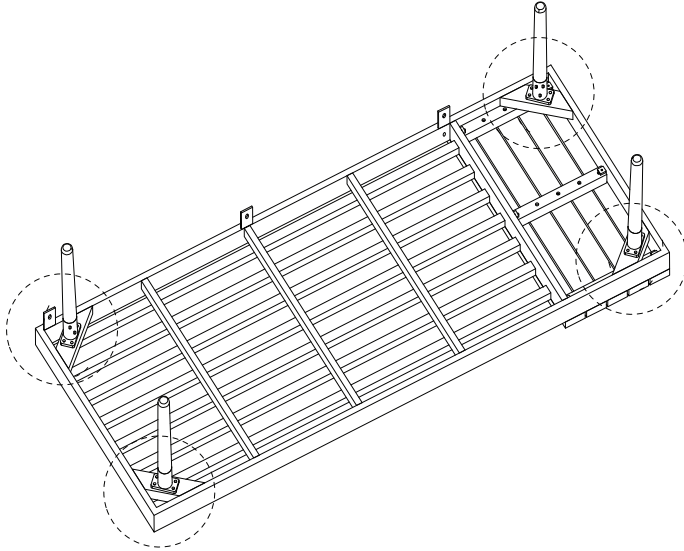
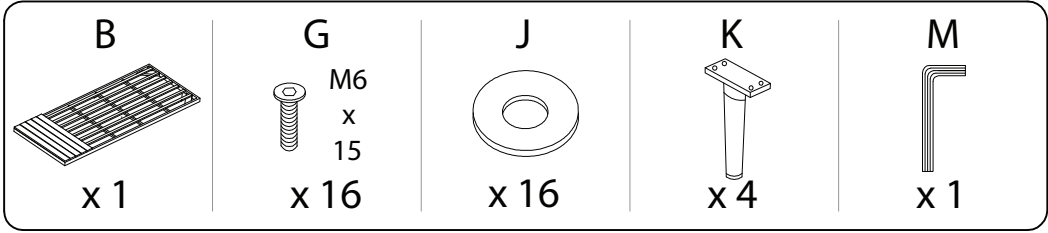
A

A	B	G	H	I	J
		 M6 x 15	 M6 x 20	 M6 x 50	
x 1	x 1	x 20	x 3	x 3	x 23

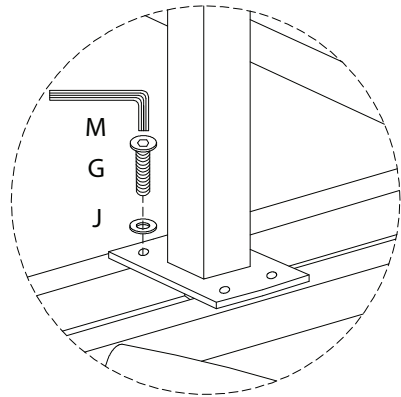
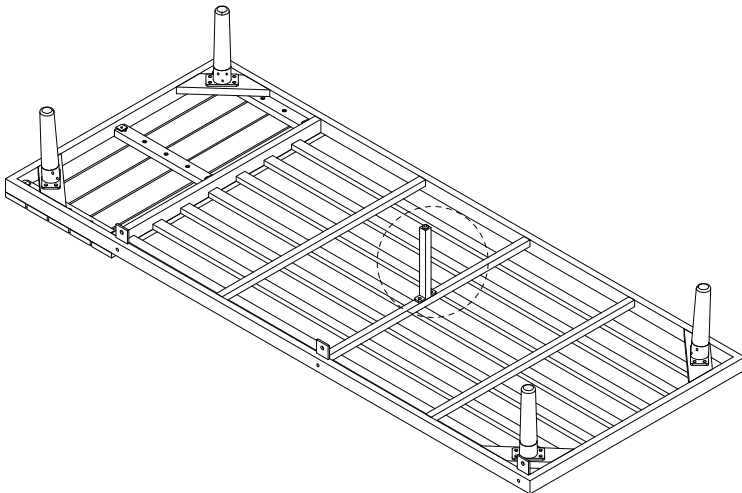
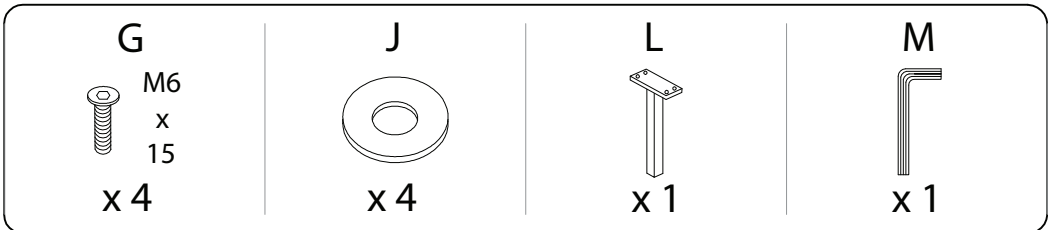


K	L	M	N	O
				
x 4	x 1	x 2	x 3	x 3

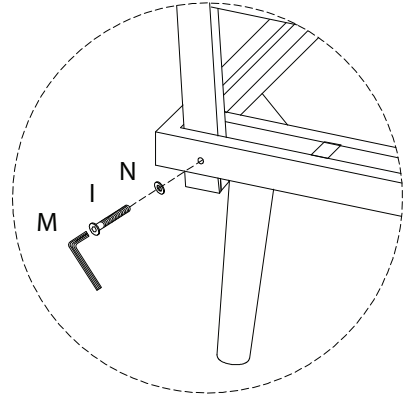
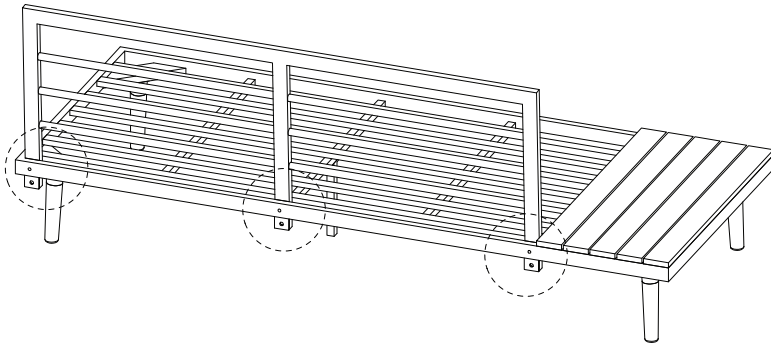
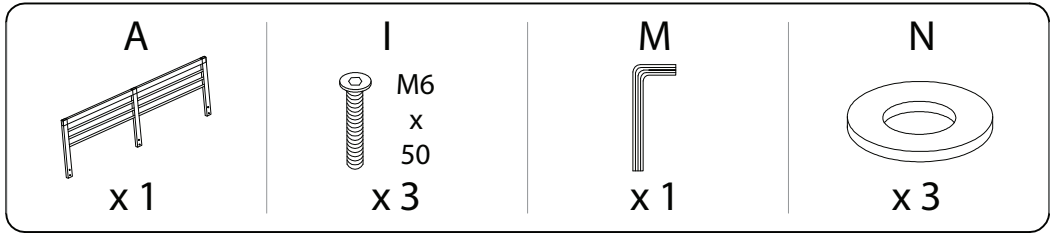
1



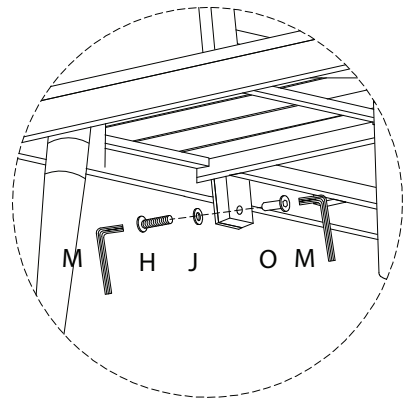
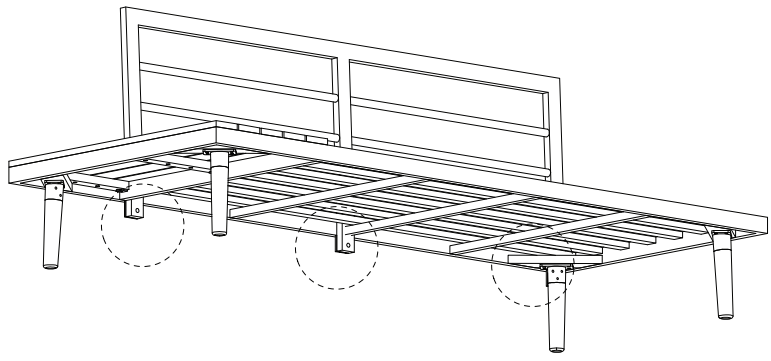
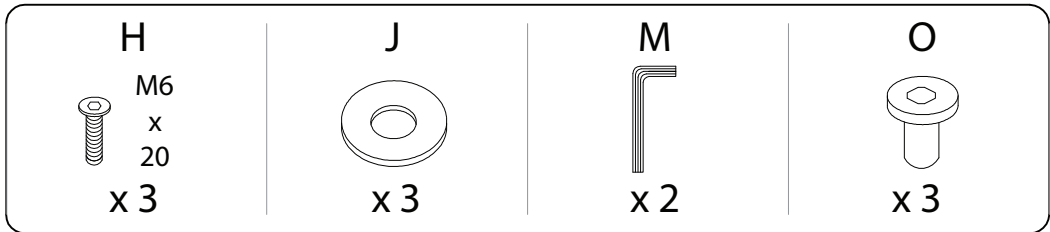
2



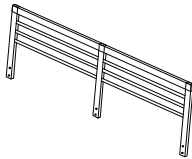
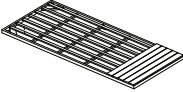
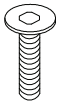
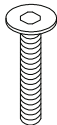
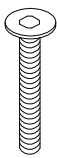
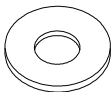
3

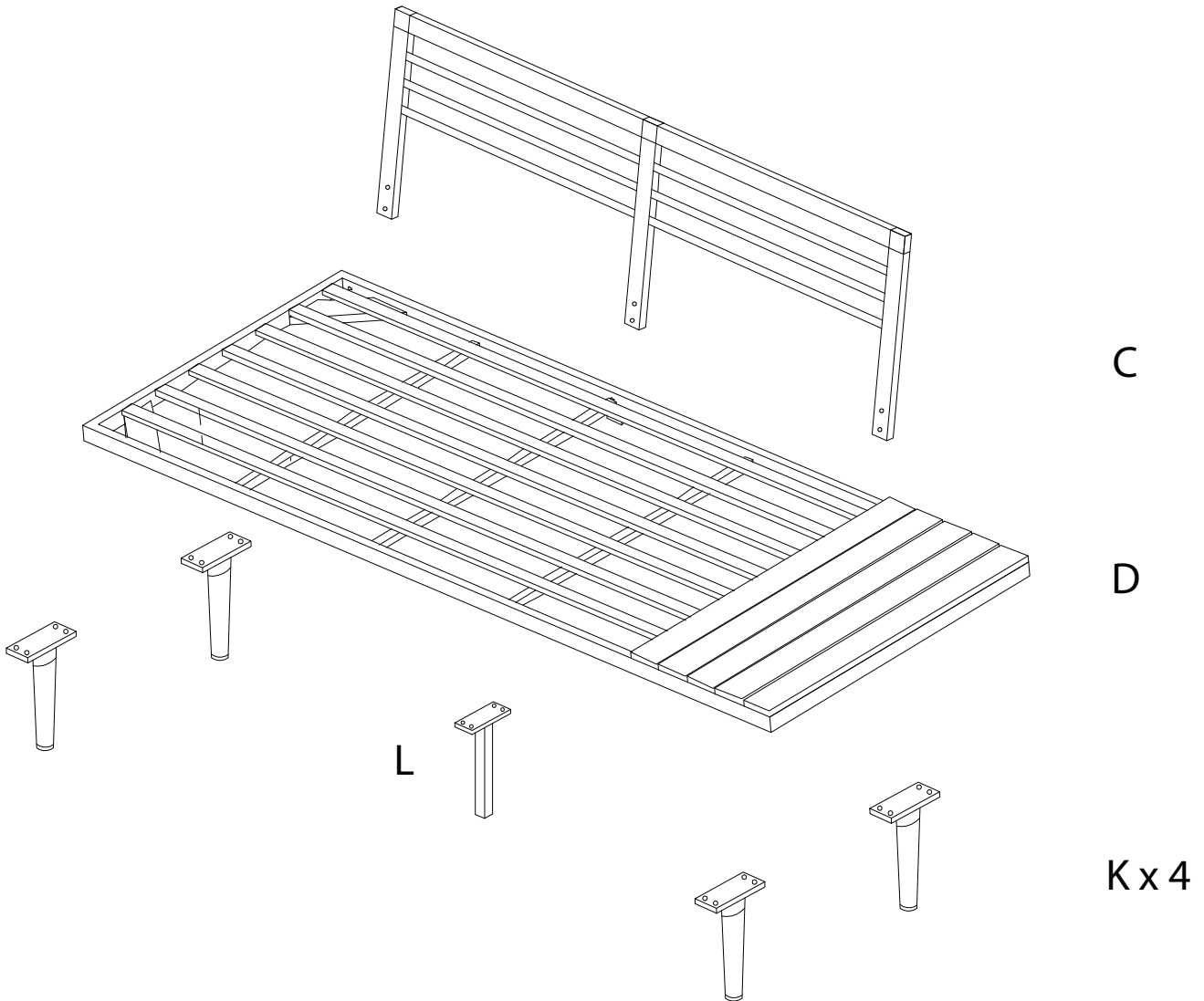


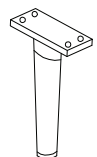
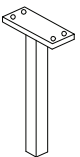
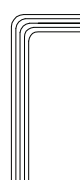
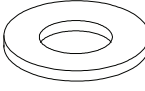
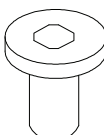
4



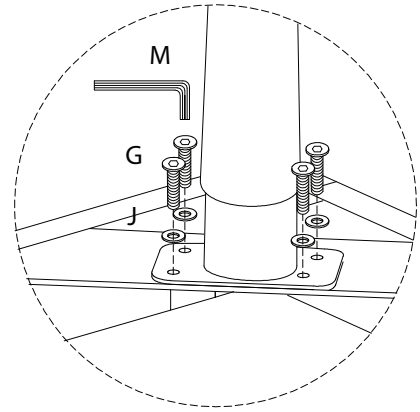
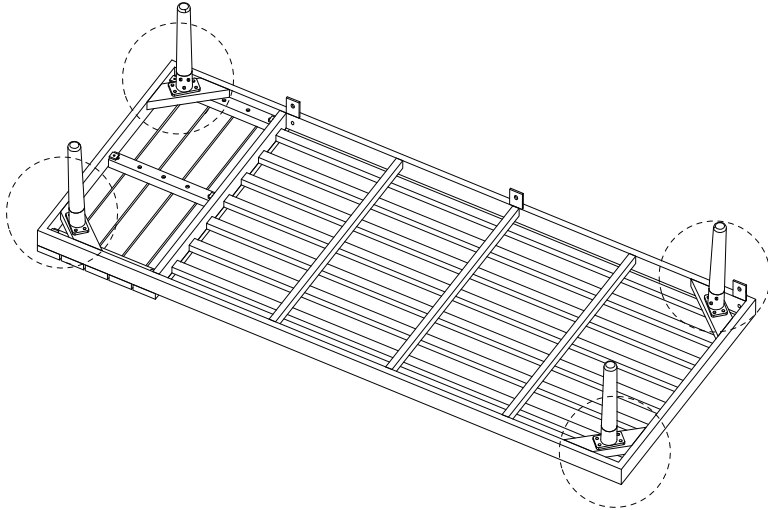
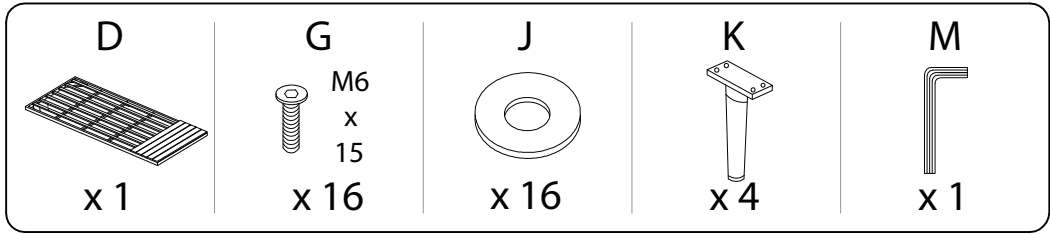
B

<p>C</p>  <p>x 1</p>	<p>D</p>  <p>x 1</p>	<p>G</p>  <p>M6 x 15</p> <p>x 20</p>	<p>H</p>  <p>M6 x 20</p> <p>x 3</p>	<p>I</p>  <p>M6 x 50</p> <p>x 3</p>	<p>J</p>  <p>x 23</p>
---	---	---	--	--	--

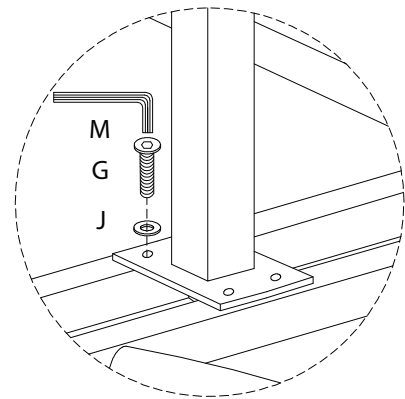
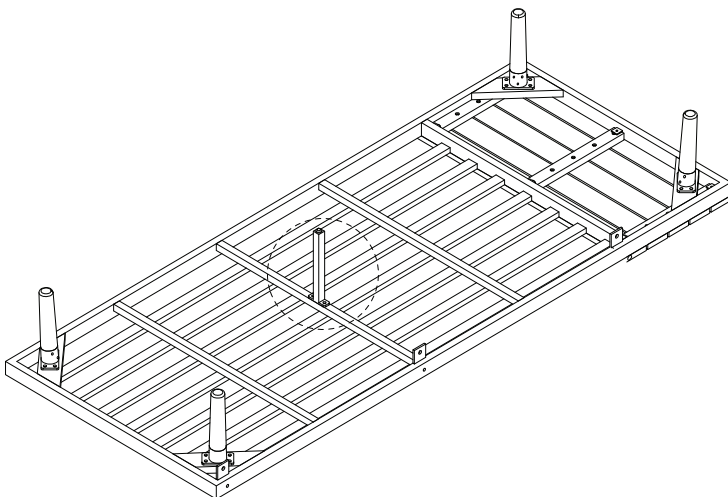
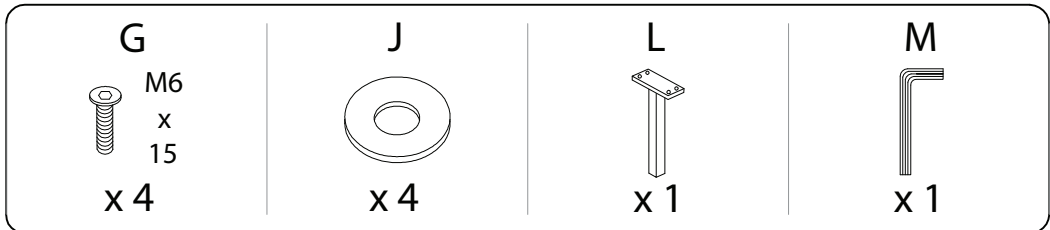


<p>K</p>  <p>x 4</p>	<p>L</p>  <p>x 1</p>	<p>M</p>  <p>x 2</p>	<p>N</p>  <p>x 3</p>	<p>O</p>  <p>x 3</p>
---	---	---	--	---

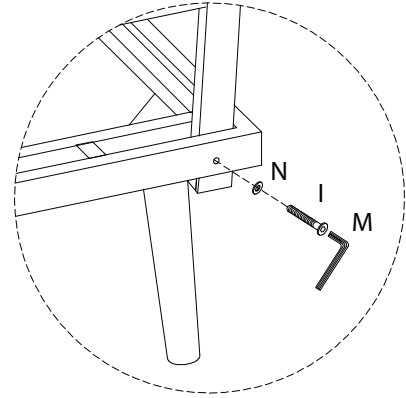
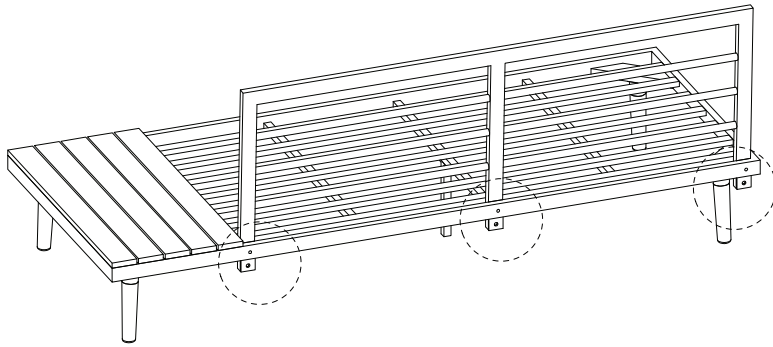
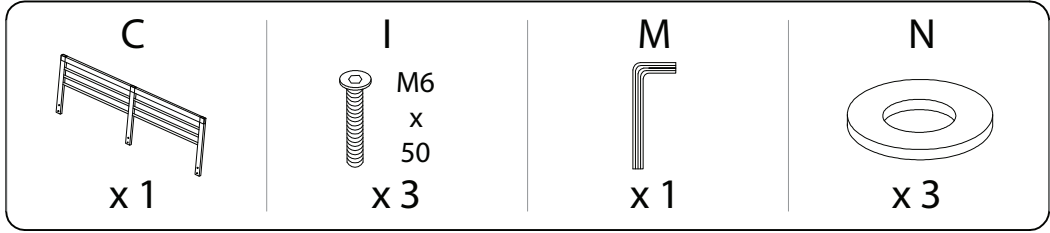
1



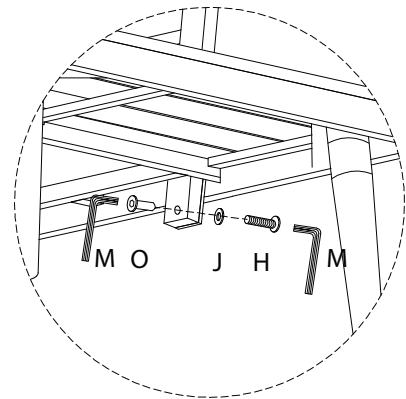
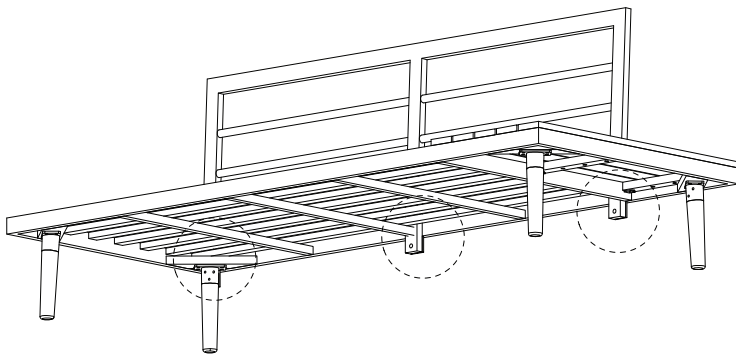
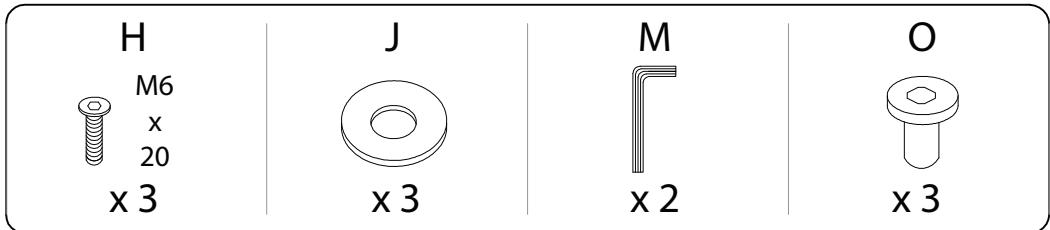
2



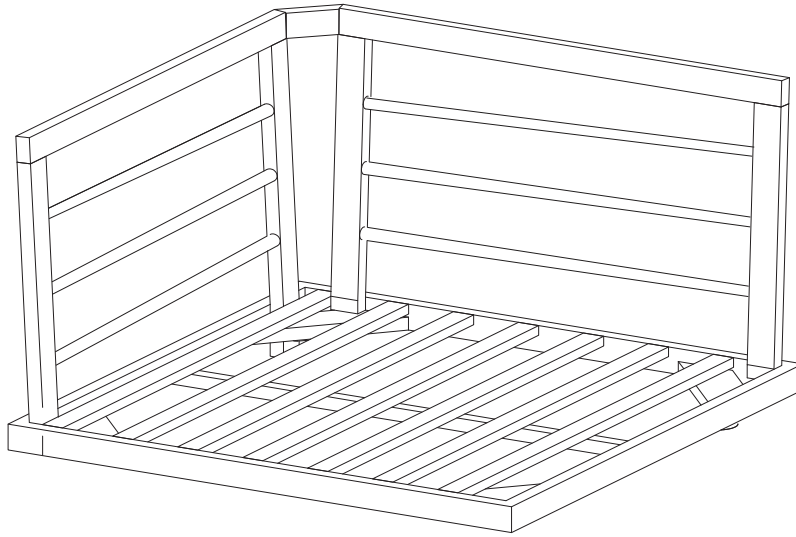
3



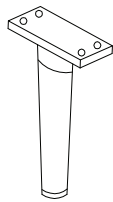
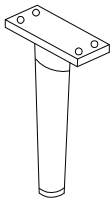
4



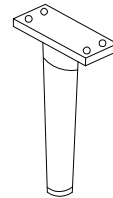
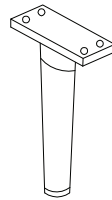
C



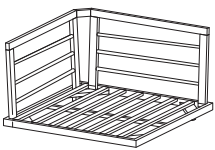
E



K x 4

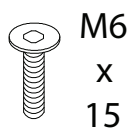


E



x 1

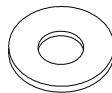
G



M6
x
15

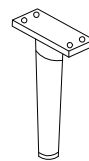
x 16

J



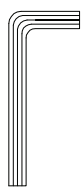
x 16

K



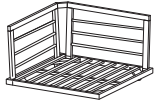

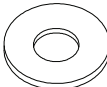
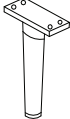
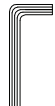
x 4

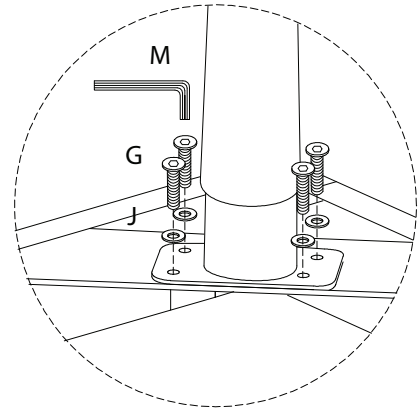
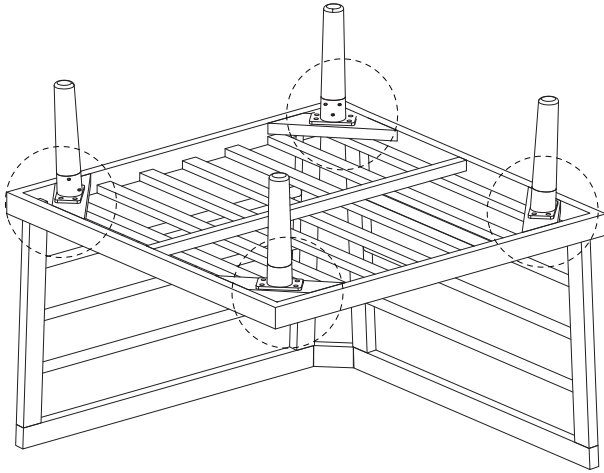
M



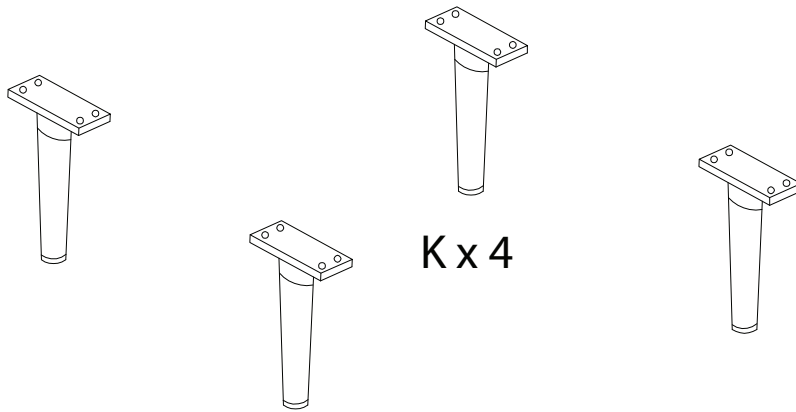
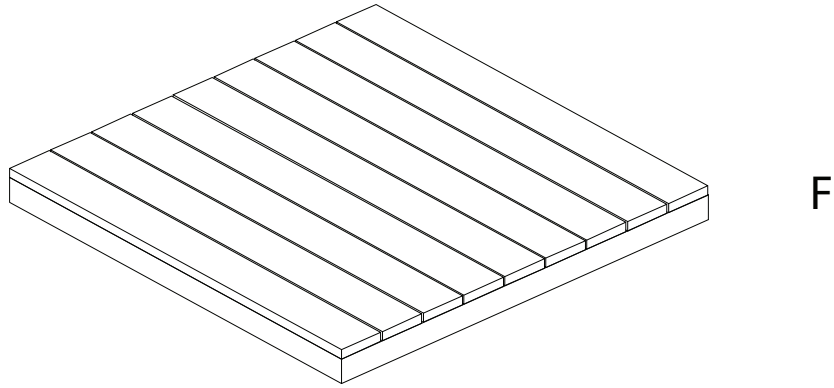
x 1

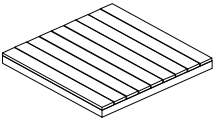

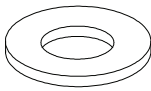
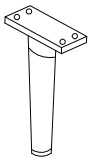

1

<p>E</p>  <p>x 1</p>	<p>G</p>  <p>M6 x 15</p> <p>x 16</p>	<p>J</p>  <p>x 16</p>	<p>K</p>  <p>x 4</p>	<p>M</p>  <p>x 1</p>
--	--	---	--	--

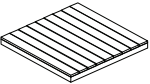

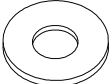
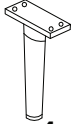
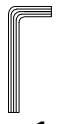


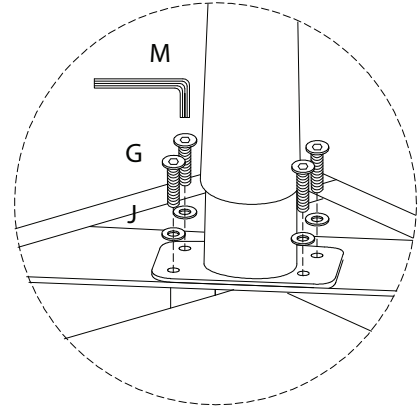
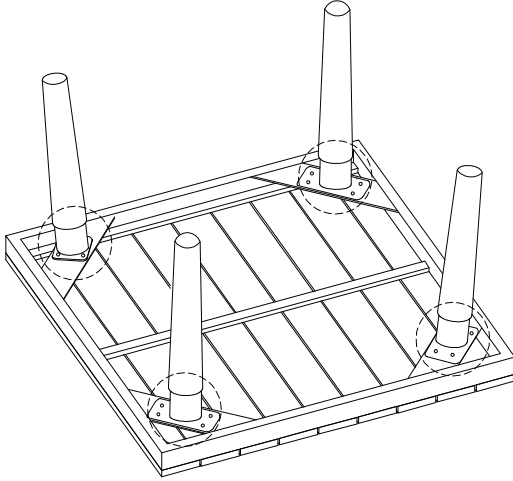
D

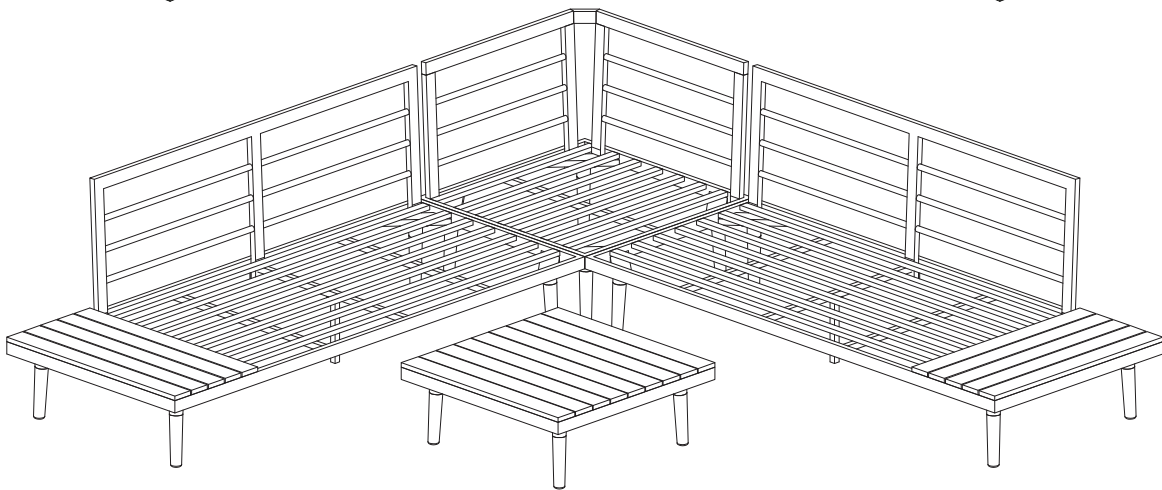
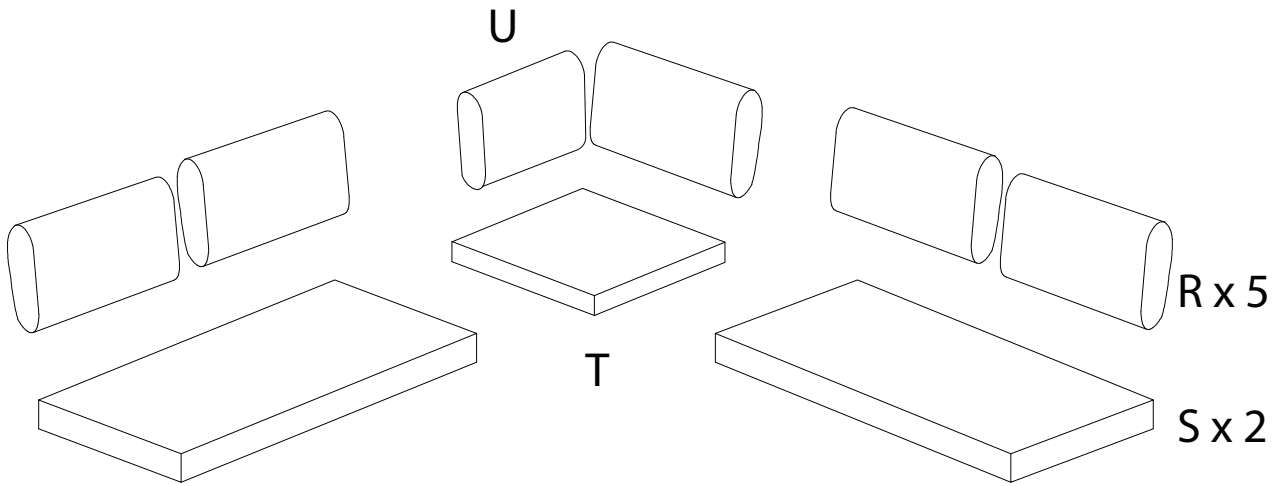



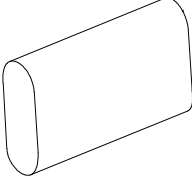
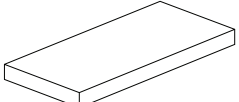
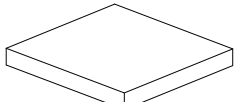
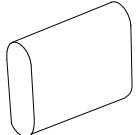
F	G	J	K	M
	 M6 x 15			
x 1	x 16	x 16	x 4	x 1

1

F  x 1	G  M6 x 15 x 16	J  x 16	K  x 4	M  x 1
--	---	---	--	--





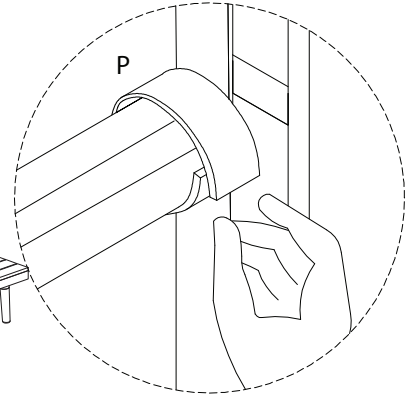
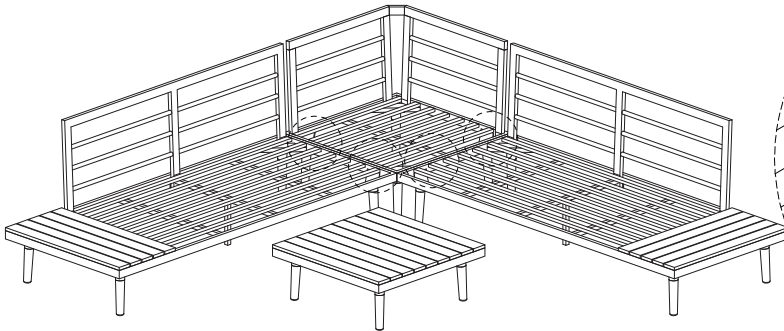
P	R	S	T	U
				
x 4	x 5	x 2	x 1	x 1

1

P

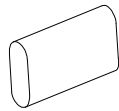


x4



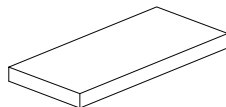
2

R



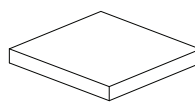
x5

S



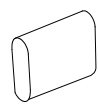
x2

T



x1

U



x1

