

# artos

F902-1

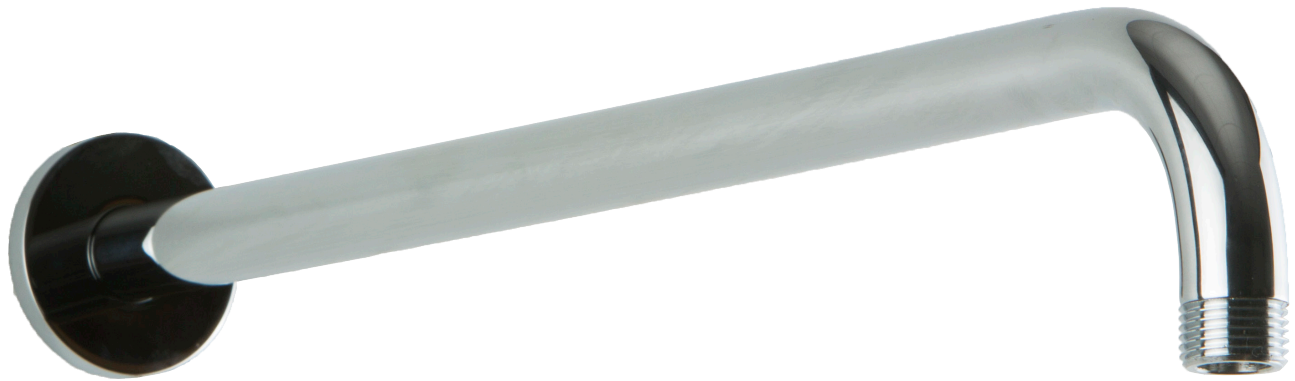
INSTALLATION GUIDE

wall mount shower arm rnd

BRUSHED NICKEL(BN)



CHROME(CH)



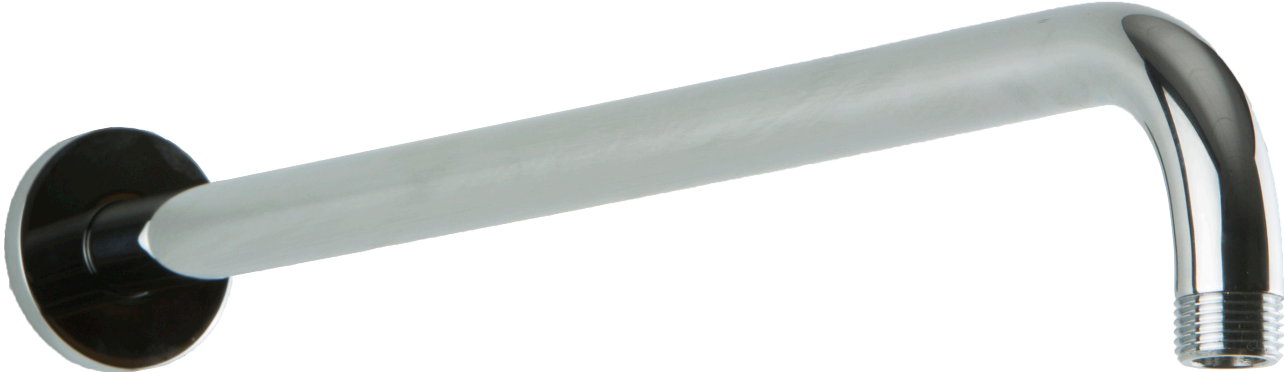
# artos

F902-1

**OPERATING SPECIFICATIONS**

wall mount shower arm rnd

**INLET/OUTLET**  
1/2" Male NPT- Wall Connections

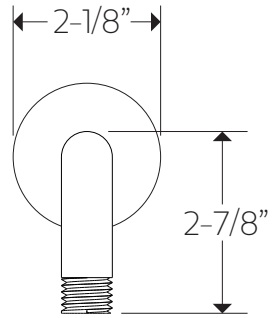
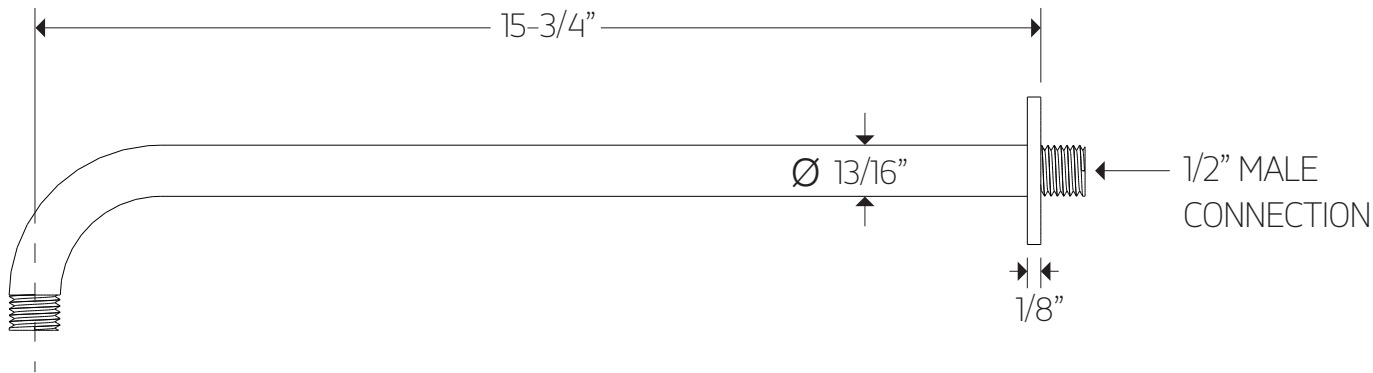


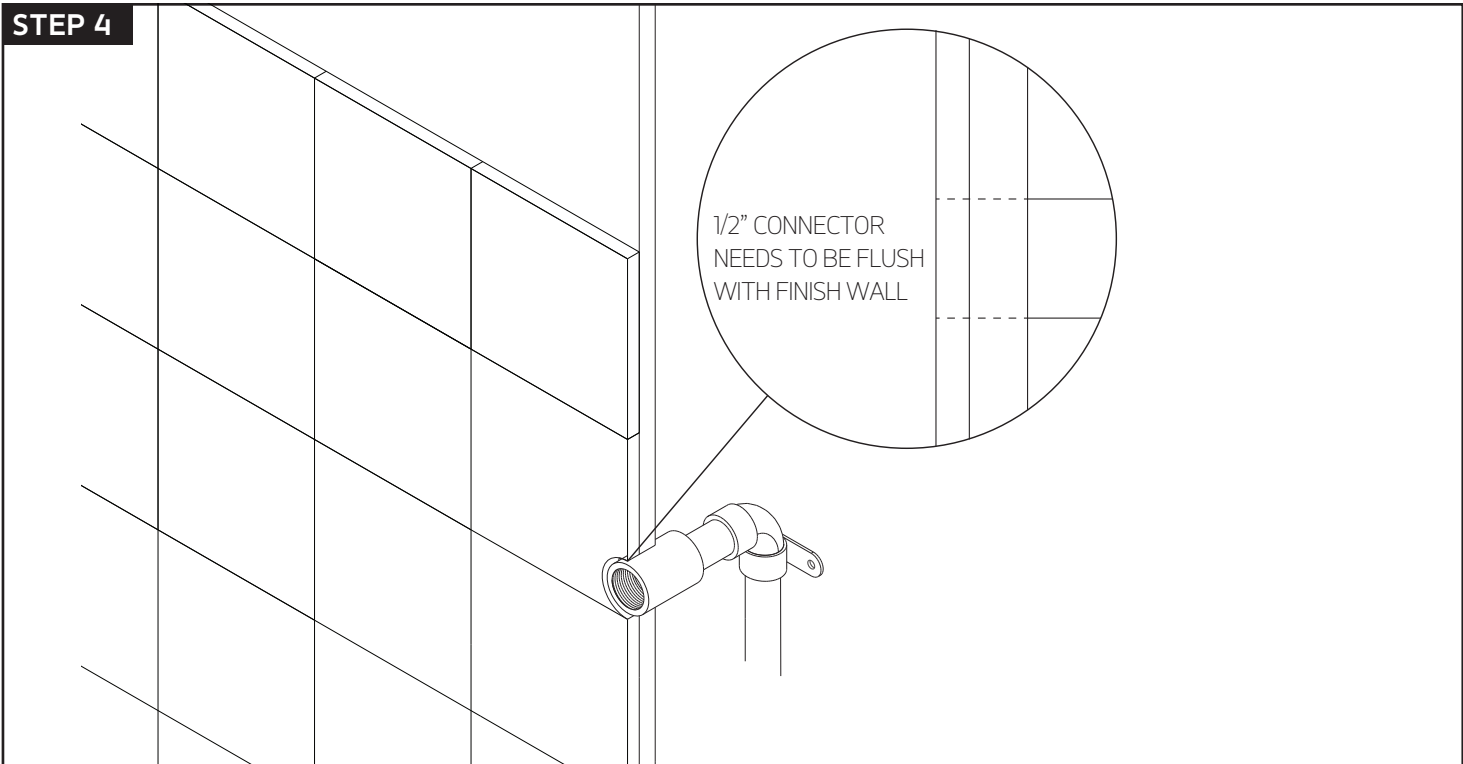
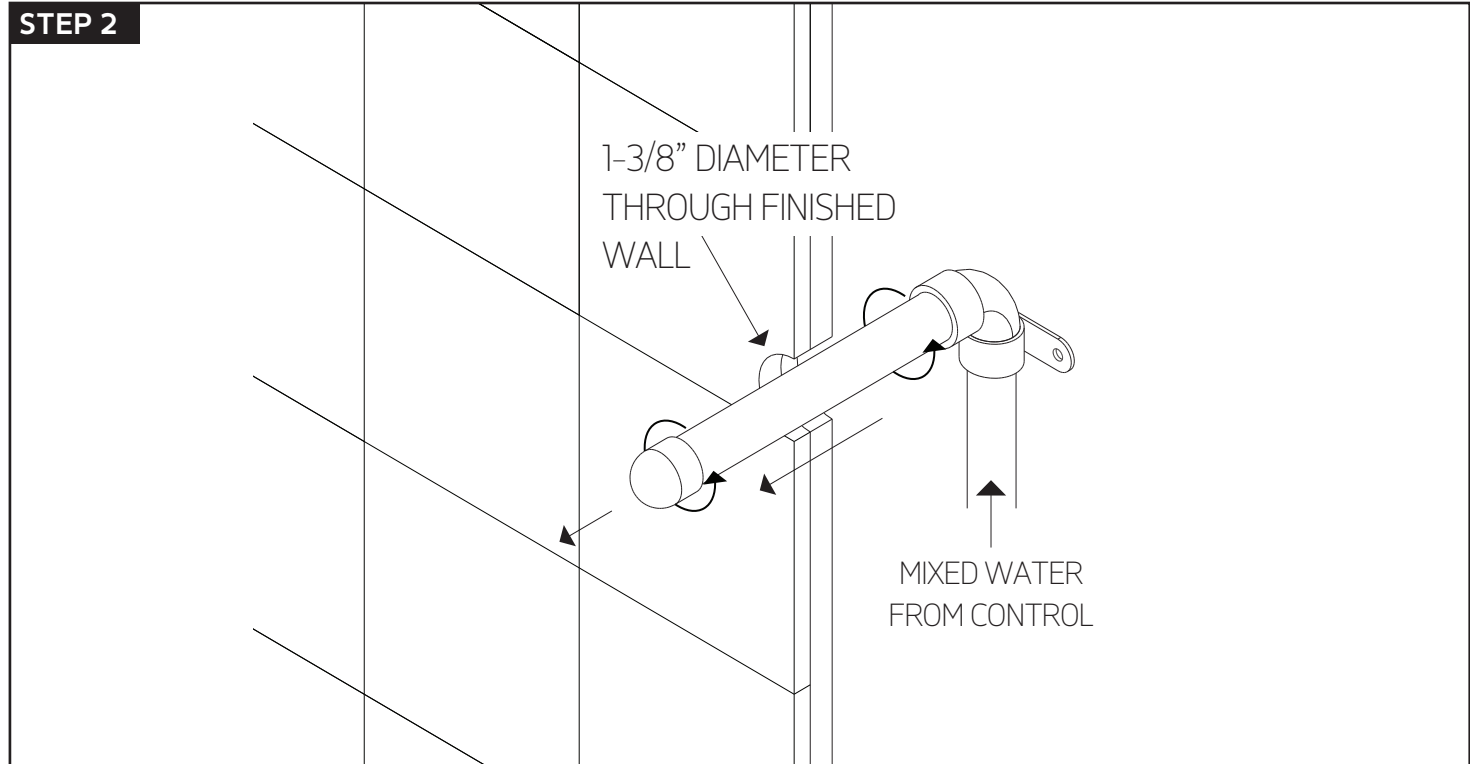
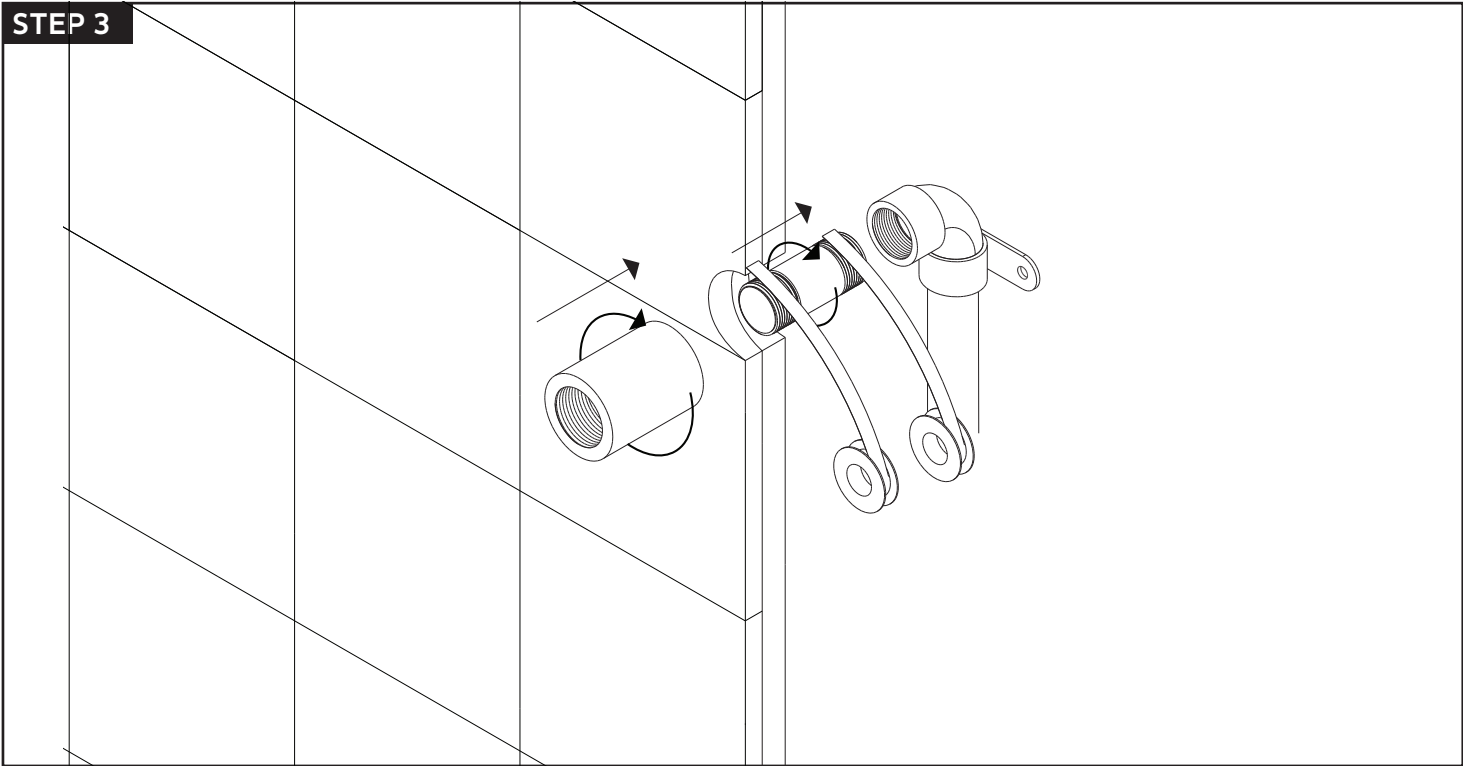
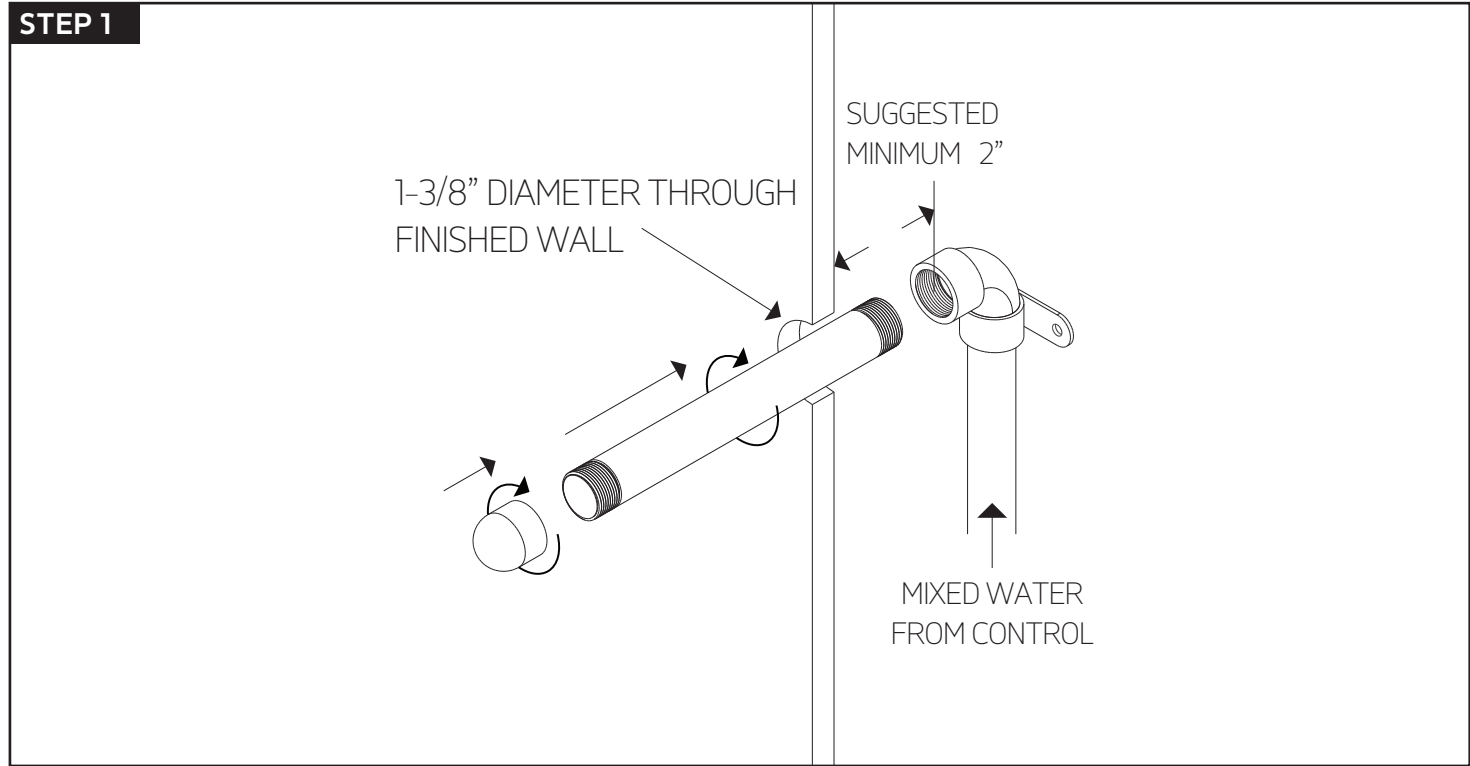
# artos

F902-1

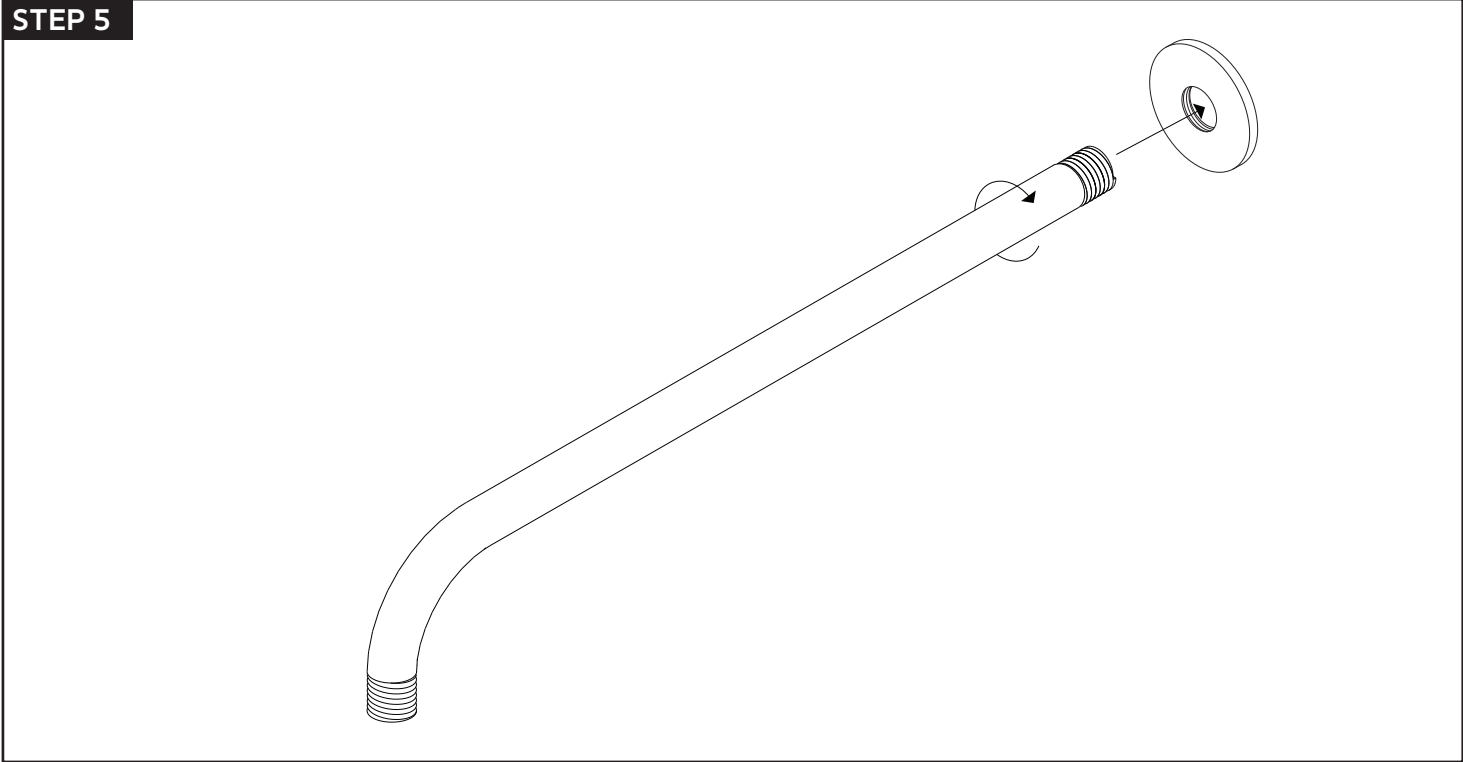
**PRODUCT DIMENSIONS**

wall mount shower arm rnd

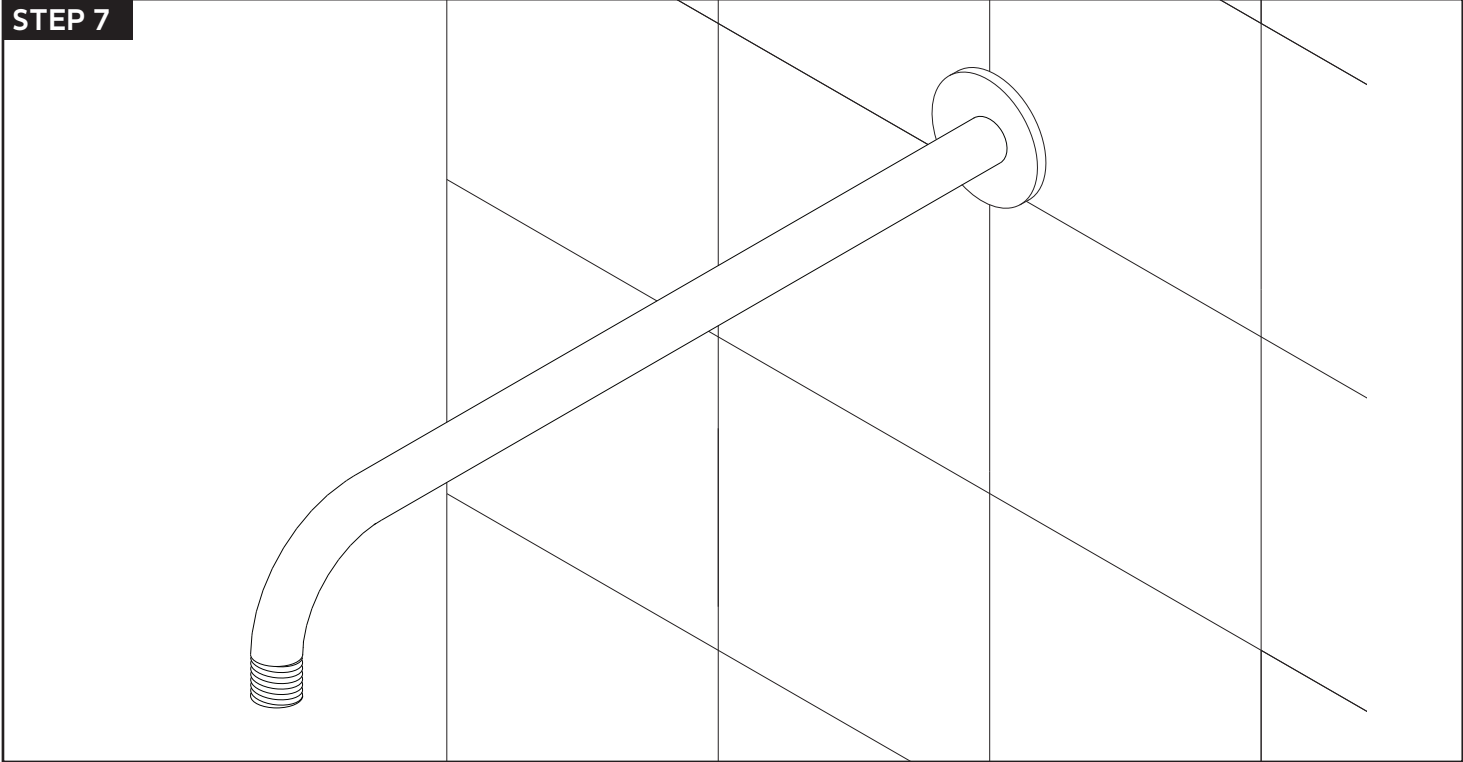




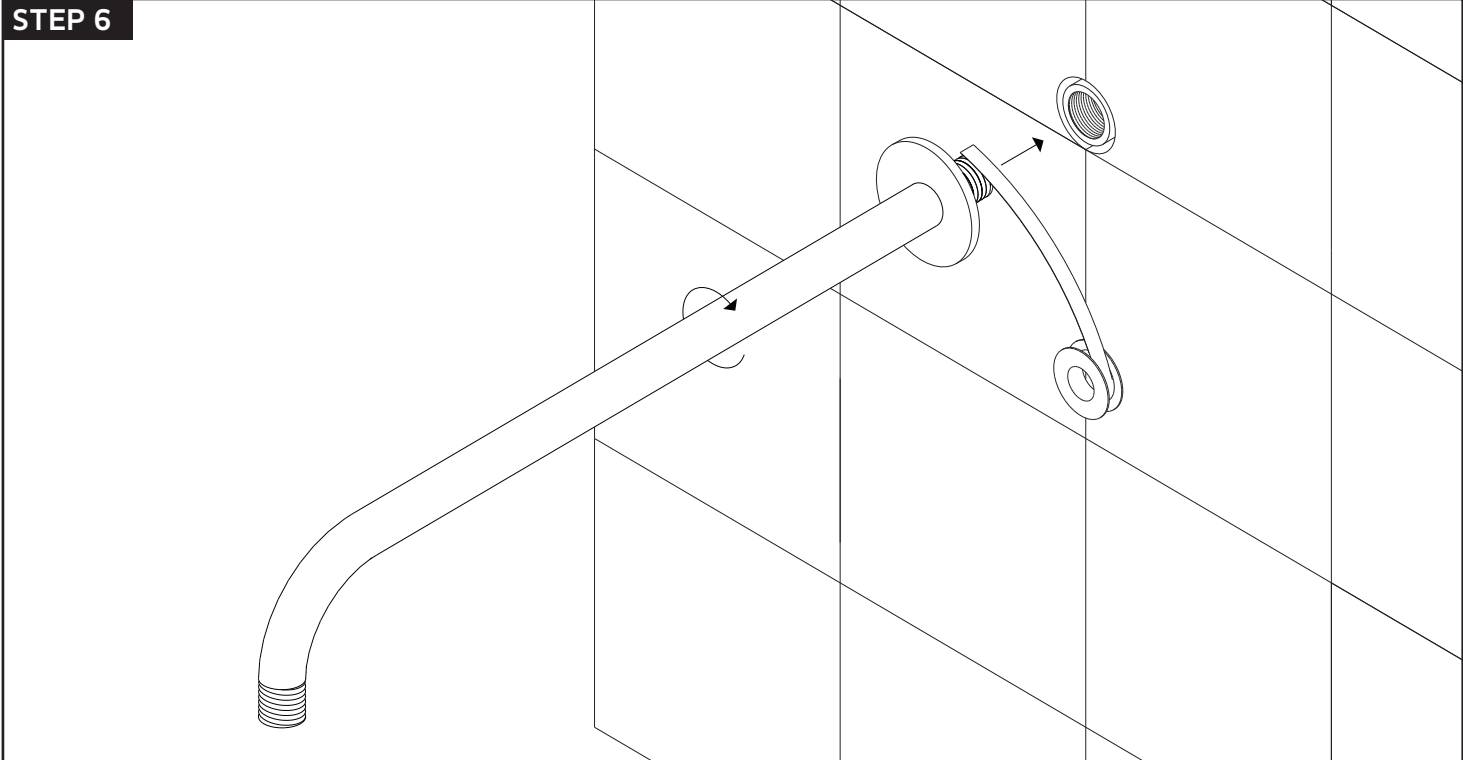
STEP 5



STEP 7



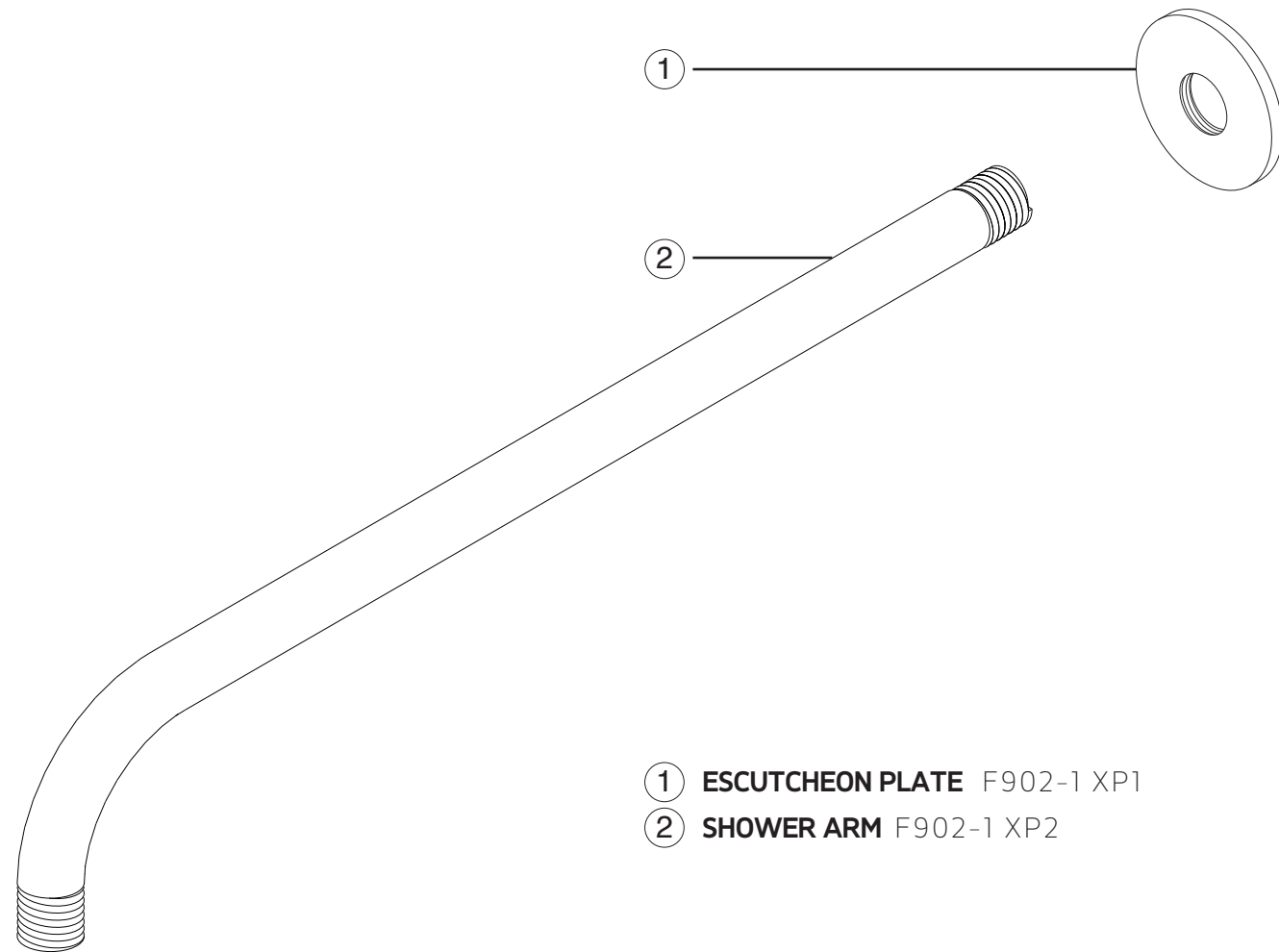
STEP 6



# artos

F902-1

wall mount shower arm rnd



- ① **ESCUTCHEON PLATE** F902-1 XP1
- ② **SHOWER ARM** F902-1 XP2

# artos

F902-1

wall mount shower arm rnd

## CARE & MAINTENANCE

For best results, keep the following in mind to retain the high quality finish of your artos® faucets:

- Use a soft, dampened sponge or cloth. On no account should you use an abrasive material such as a brush, scouring pad or steel wool to clean surfaces.
- Test your cleaning agent solution on an inconspicuous area before applying to the entire faucet.
- Wipe surfaces clean and rinse completely with water immediately after applying cleaning agent.
- An ideal cleaning technique is to rinse faucet thoroughly and blot dry any water from the surface after each use.

## LIMITED LIFETIME WARRANTY

artos® faucets are guaranteed for life against leaks and finishing defects for as long as the original purchaser owns it.

Damage caused by accident, misuse, abuse, improper installation, improper cleaning or alteration will void the warranty. This warranty does not cover replacement parts where damage is caused by normal wear and tear. Westover, Inc is not responsible for labor charges, installation or other incidental or consequential costs. Proof of purchase must be provided with all claims.

Please register this product online at [WWW.ARTOS.US.COM](http://WWW.ARTOS.US.COM)

ITEM NO. **F902-1**  
SERIAL NO.