

ASSEMBLY INSTRUCTIONS

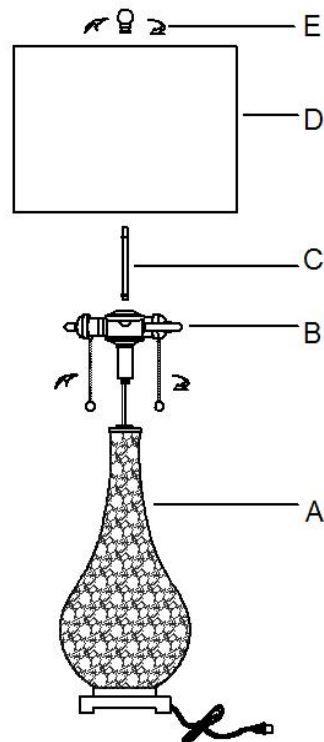
ITEM#CVABS1900

ASSEMBLE IT BY FOLLOWING STEPS .

1. Fasten The Socket Assembly(B) Onto The Lamp body(A).
Be careful not TO Twist The Power Cord.
2. Insert The pipe(C) Into The Socket Assembly(B).
3. Place The Shade(D) Onto The Pipe And Tighten The finial(E).

IMPORTANT SAFETY INSTRUCTIONS

CAUTION : THIS PORTABLE LAMP HAS A POLARIZED PLUG (ONE BLADE IS WIDER THAN THE OTHER) ,AS A FEATURE TO REDUCE THE RISK OF ELECTRIC SHOCK, THIS PLUG WILL FIT IN A POLARIZED OUTLET ONLY ONE WAY, IF THE PLUG DOES NOT FIT FULLY IN THE OUTLET, REVERSE THE PLUG ,IF IT STILL DOES NOT FIT, CONTACT A QUALIFIED ELECTRICIAN, NEVER USE WITH AN EXTENSION CORD UNLESS PLUG CAN BE FULLY INSERTED ,DO NOT ALTER THE PLUG.



ASSEMBLY INSTRUCTIONS

ASSEMBLE IT BY FOLLOWING STEPS .

1. Fasten The Socket Assembly(B) Onto The Lamp body(A).
Be careful not TO Twist The Power Cord.
2. Insert The pipe(C) Into The Socket Assembly(B).
3. Place The Shade(D) Onto The Pipe And Tighten The finial(E).

IMPORTANT SAFETY INSTRUCTIONS

CAUTION : THIS PORTABLE LAMP HAS A POLARIZED PLUG (ONE BLADE IS WIDER THAN THE OTHER) ,AS A FEATURE TO REDUCE THE RISK OF ELECTRIC SHOCK, THIS PLUG WILL FIT IN A POLARIZED OUTLET ONLY ONE WAY, IF THE PLUG DOES NOT FIT FULLY IN THE OUTLET, REVERSE THE PLUG ,IF IT STILL DOES NOT FIT, CONTACT A QUALIFIED ELECTRICIAN, NEVER USE WITH AN EXTENSION CORD UNLESS PLUG CAN BE FULLY INSERTED ,DO NOT ALTER THE PLUG.