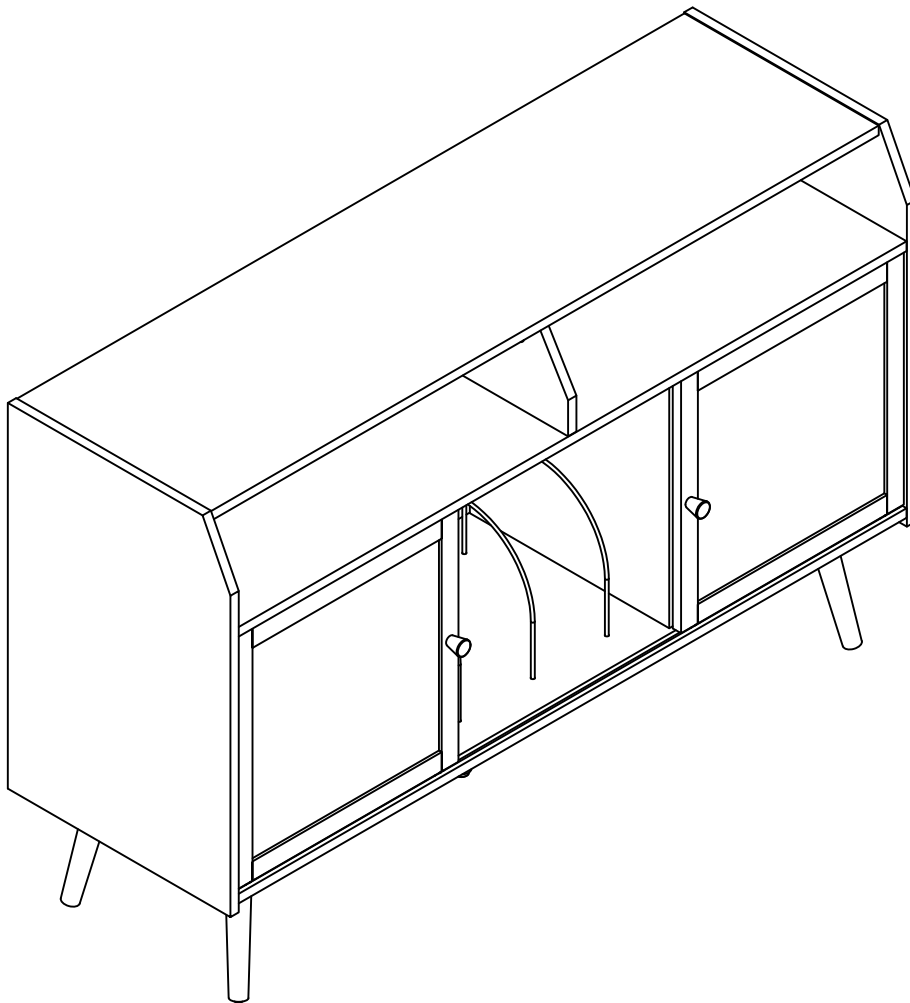


Installation Instruction



Assembling

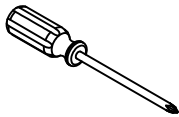
Estimated time for assembly



45 : 00

What you need

- Use the packaging carton as a working surface to prevent product damage during assembly
- Phillips head screwdriver



Weight Limitation



100

lbs table top

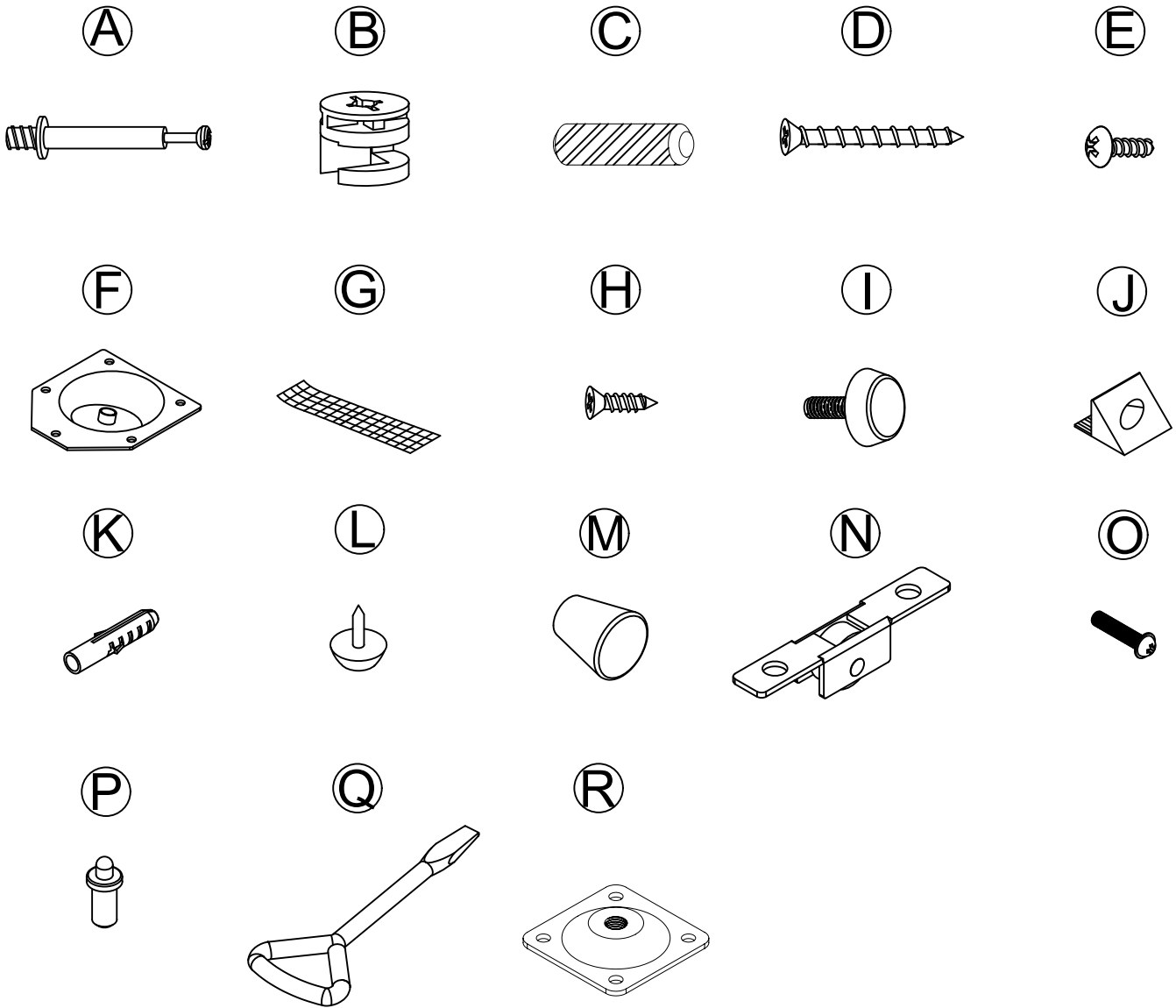
| 35

lbs per

What' included

Code	Description	Qty
A	Cam Bolt M6X35MM	18
B	Cam Lock 15X10MM	18
C	Wooden Dowel M8X30MM	24
D	Screw M4X40MM	8
E	Screw M3.5X14MM	24
F	The metal plate	4
G	Nylon Strap	2
H	Screw M3.5X14MM	25
I	Adjustable foot pads	1
J	Plastic Angle code	15
K	Anchor	2
L	MATS	4
M	Metal shake handhandle	2
N	Sliding wheel	4
O	Cam Bolt M4X18MM	2
P	The bolt	4
Q	Straight spanner	1
R	Square fittings	1

The Hardwares



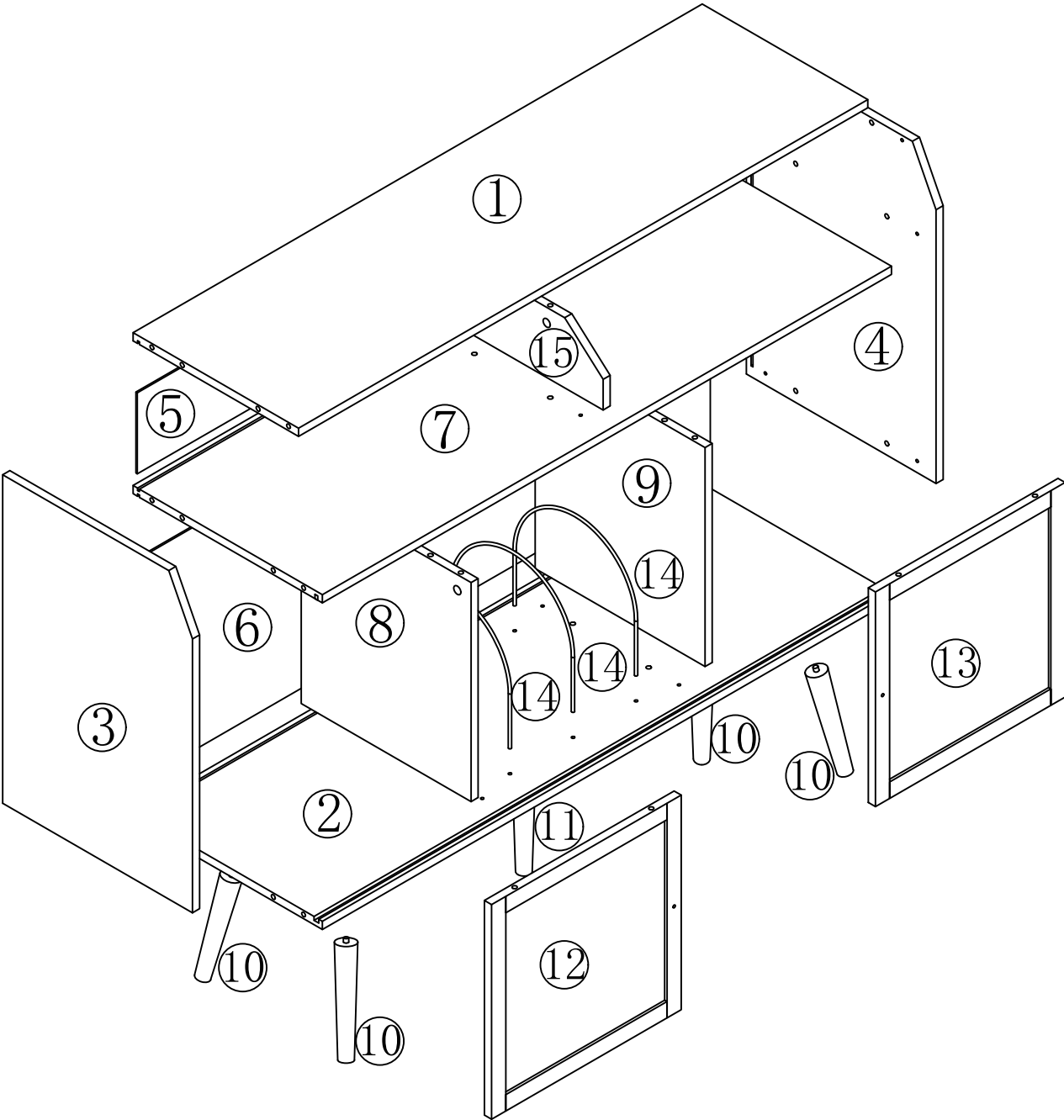
IMPORTANT:

1. Do not tighten bolts / screws completely until all bolts / screws are lined up and inserted into holes.
2. Do not over tighten screws and bolts to avoid stripping
3. Please use hand tools to assemble this product. Do not use power tools.

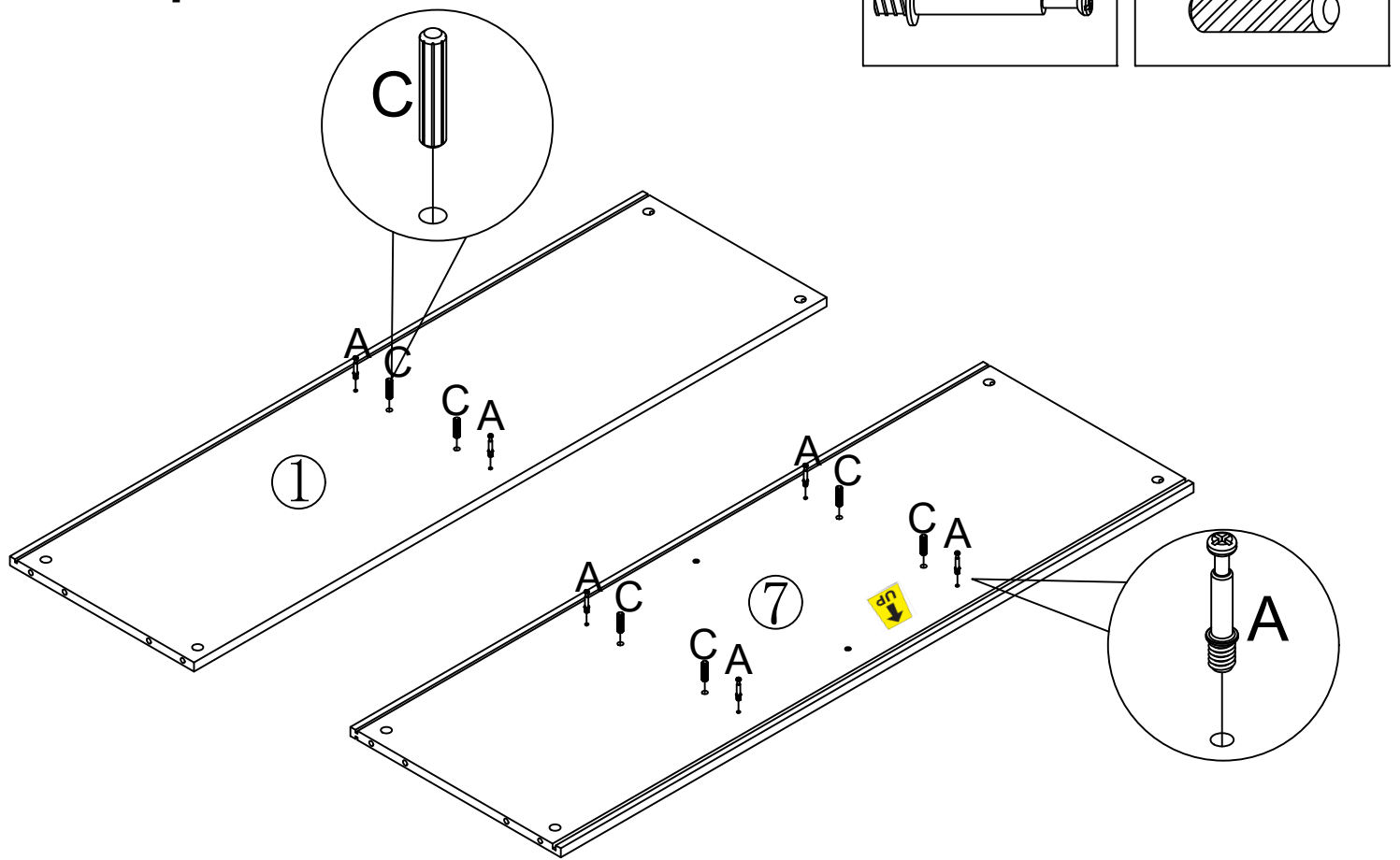
Included Accessories

Code	Description	Qty
1	Cabinet Top	1
2	Bottom Panel	1
3	Left Side Panel	1
4	Right Side Panel	1
5	Upper back plate	1
6	Lower back plate	1
7	Layer board	1
8	Left bulkhead	1
9	Right bulkhead	1
10	Solid wood feet	4
11	Medium solid wood feet	1
12	Left door panel	1
13	Right door panel	1
14	Circular steel bar	3
15	Superior septum	1

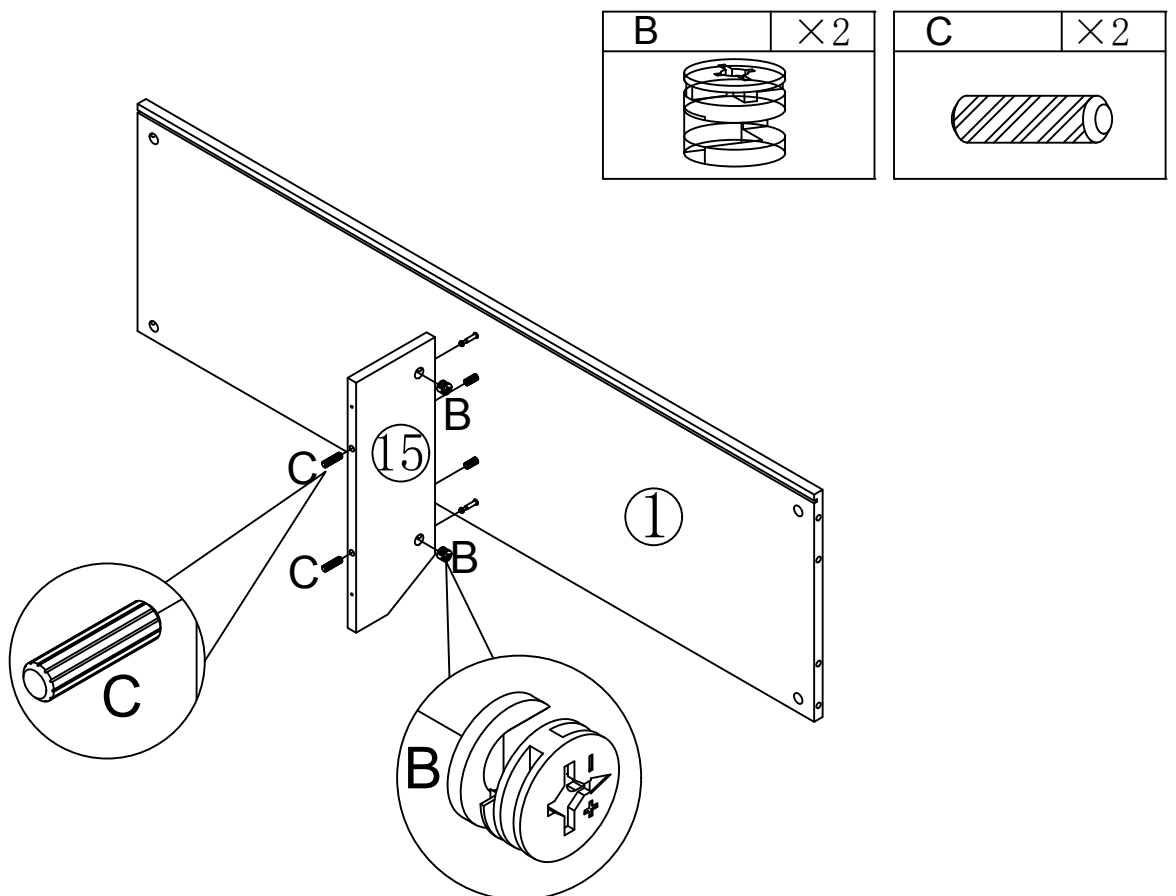
The Accessoriess



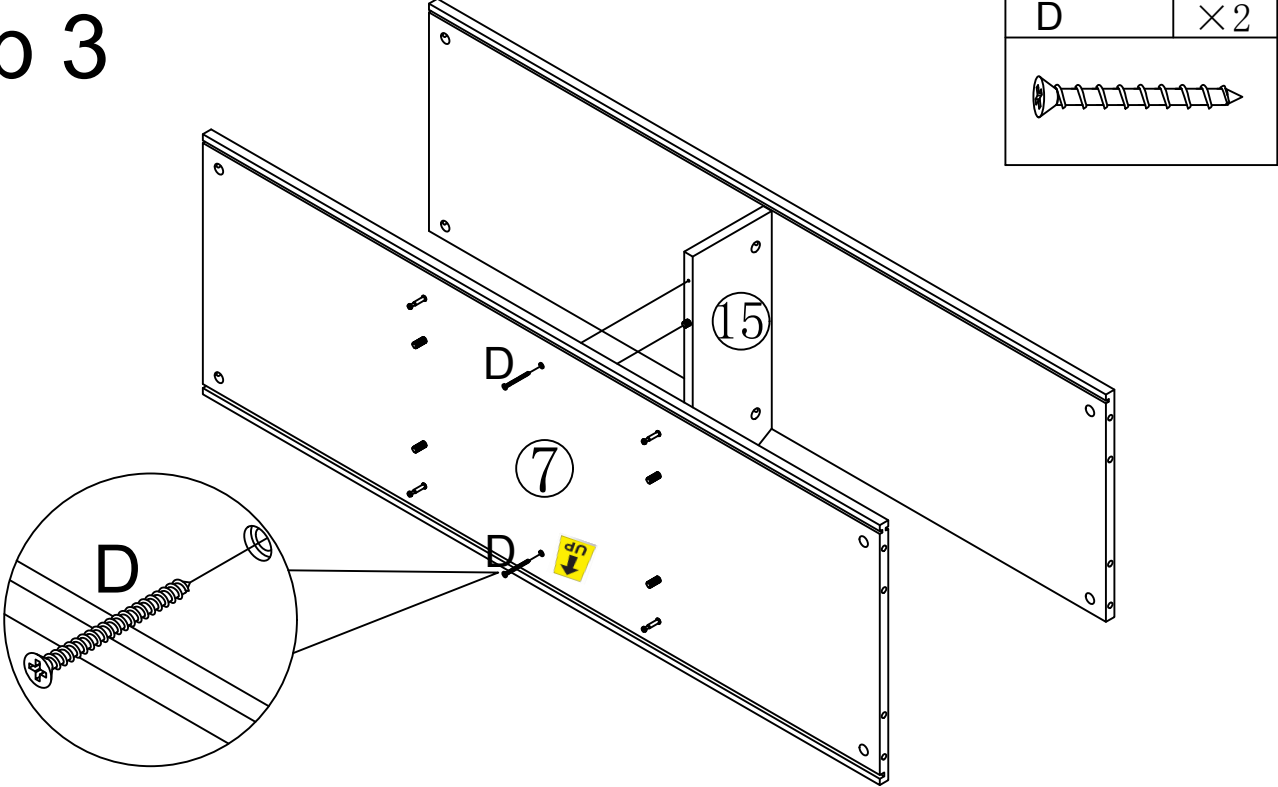
Step 1



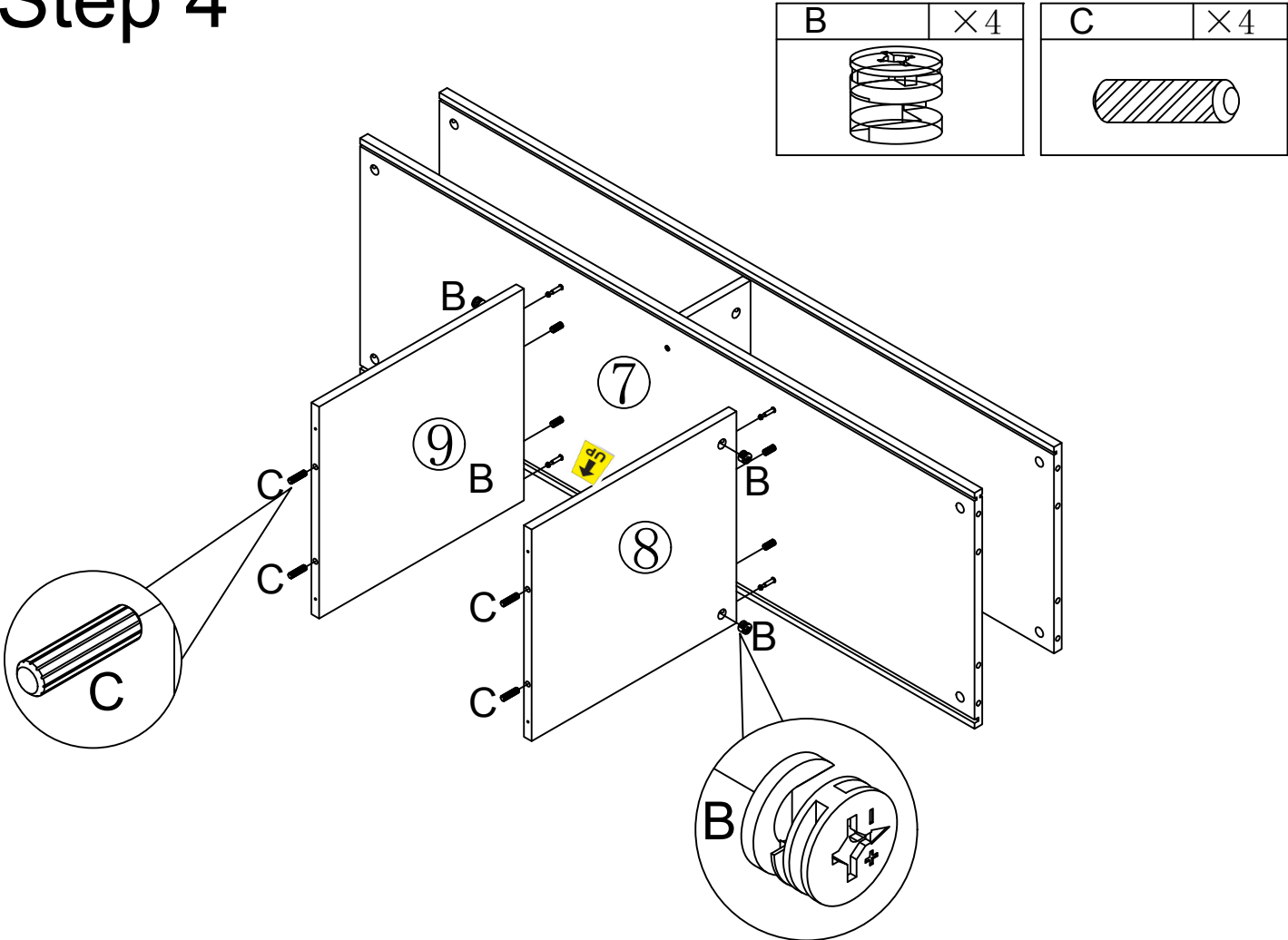
Step 2



Step 3

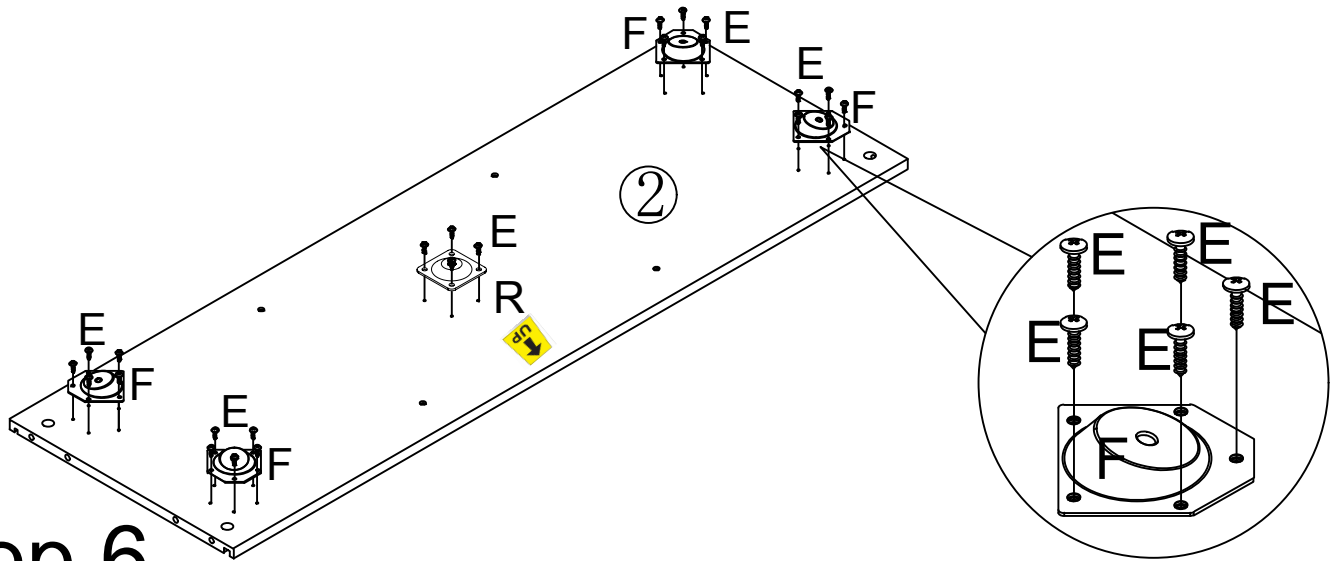


Step 4

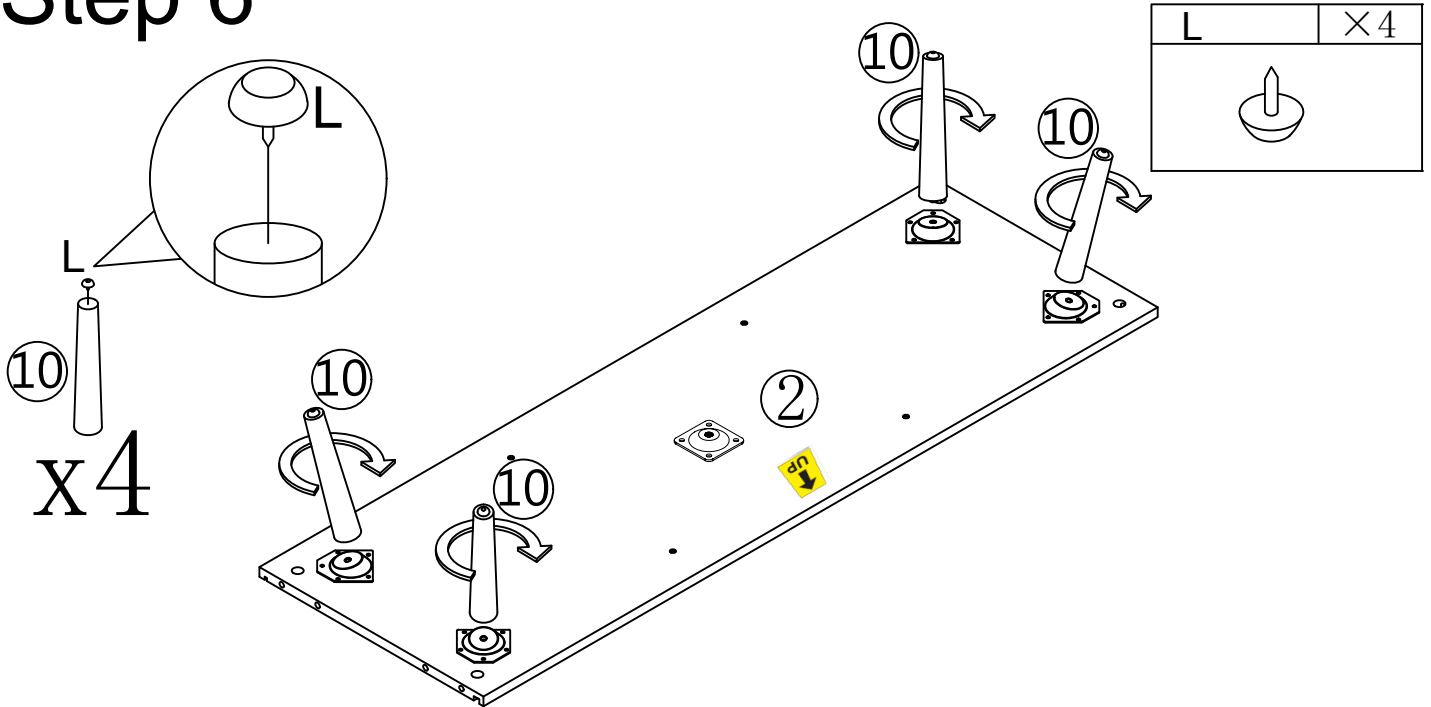


Step 5

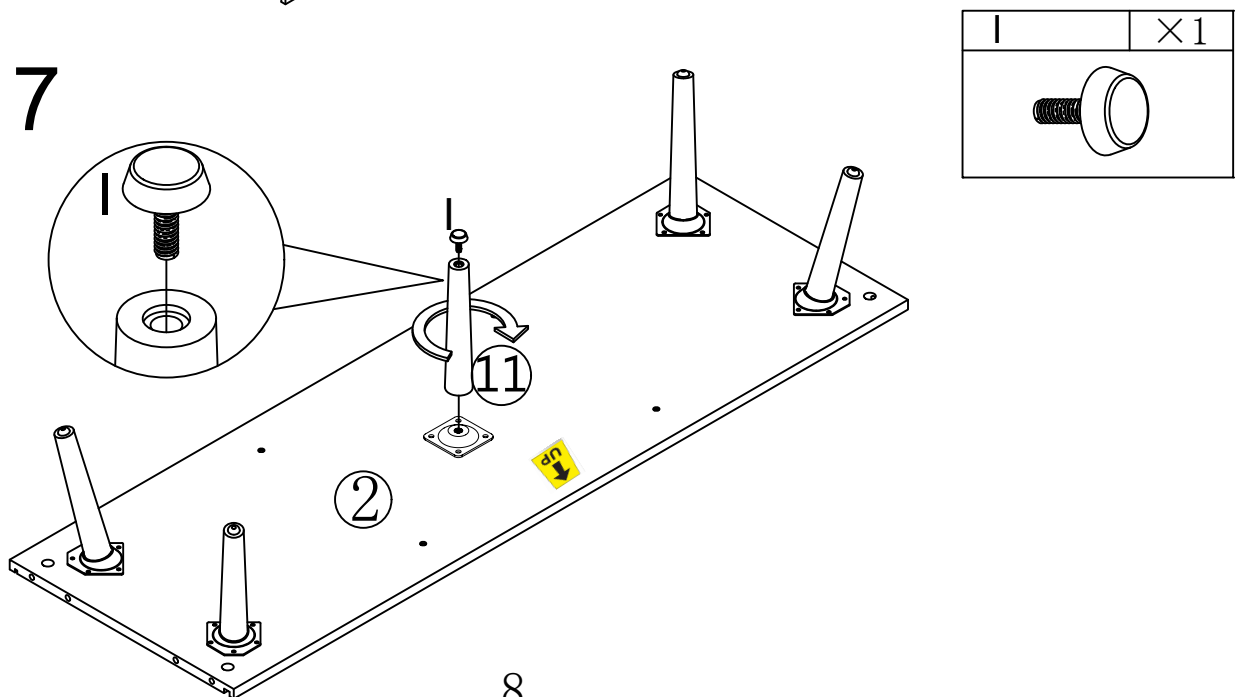
R	×1	E	×24	F	×4



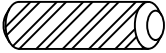
Step 6

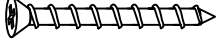


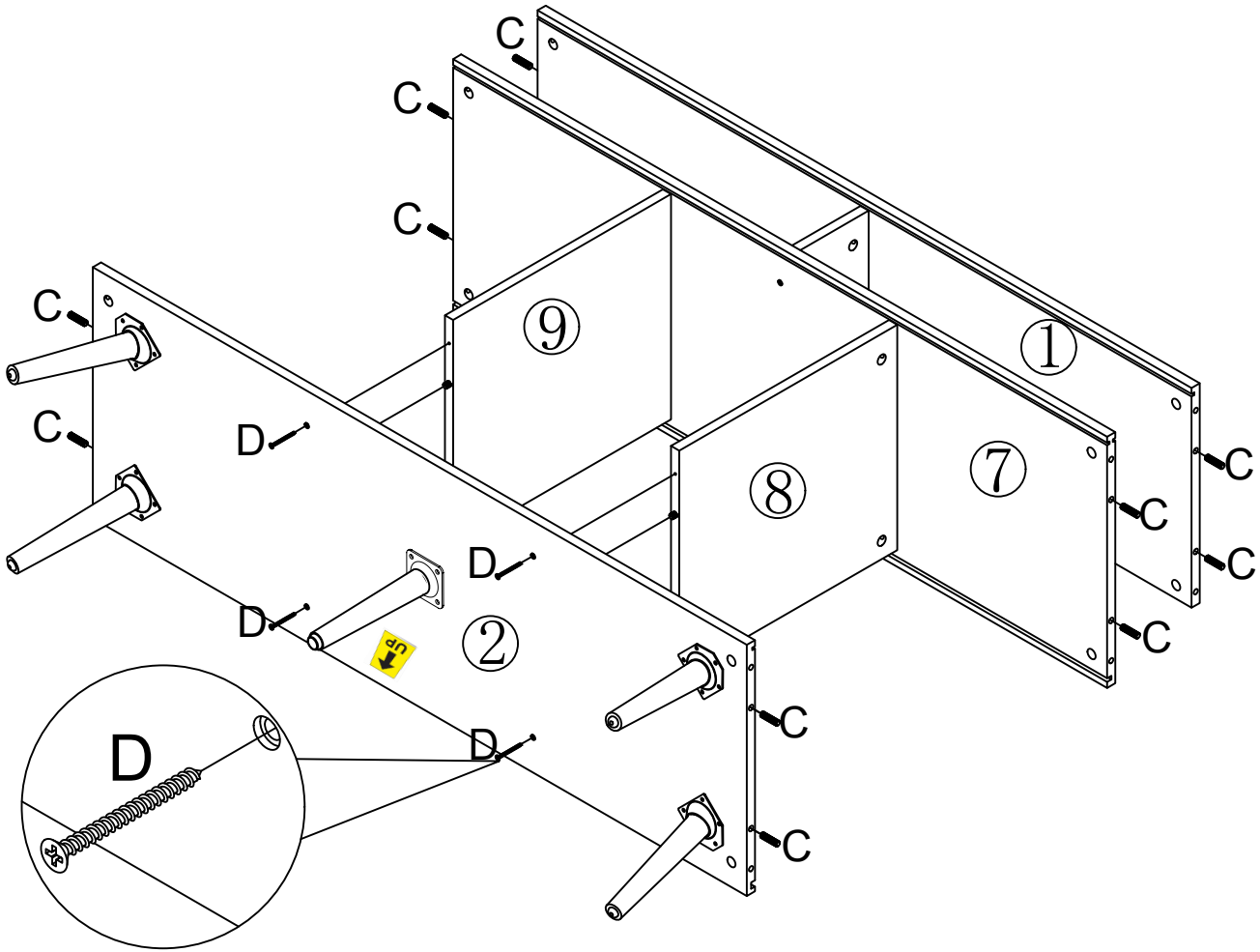
Step 7



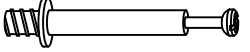
Step 8

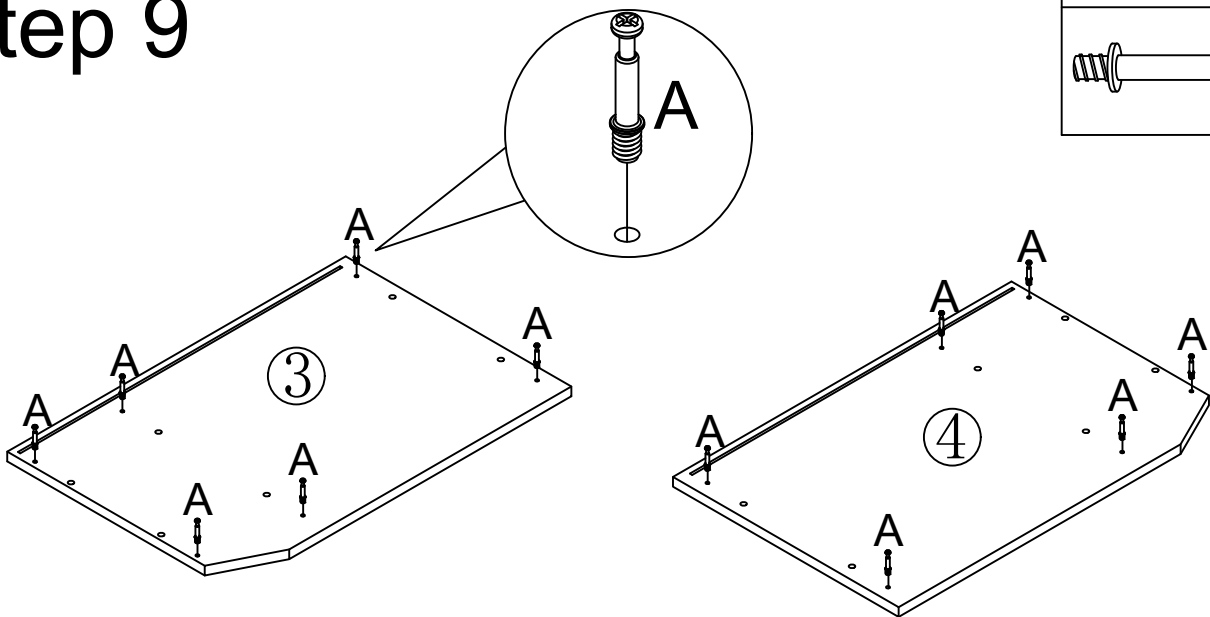
C	×12
	

D	×4
	


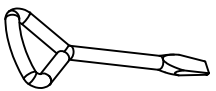


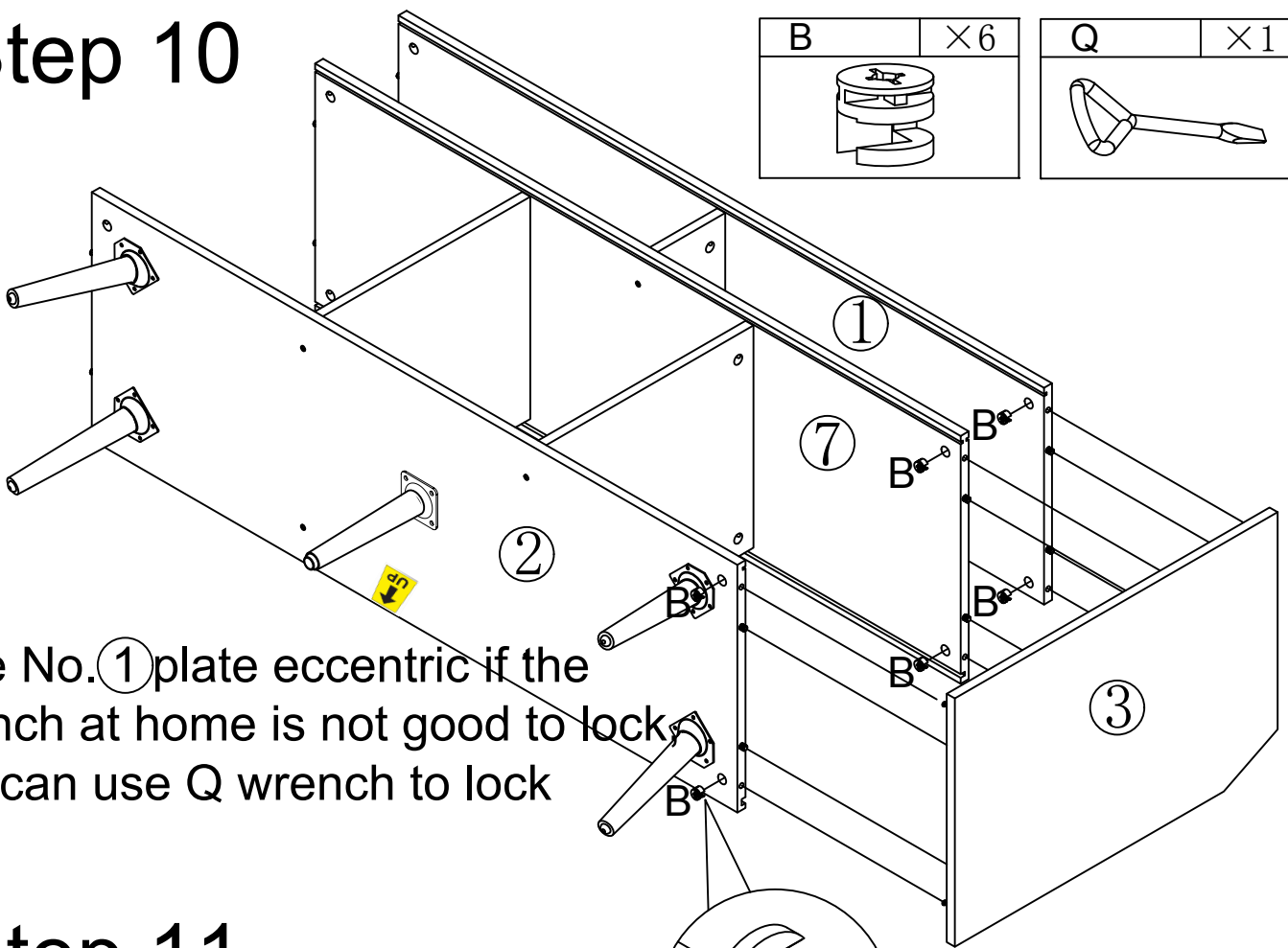
Step 9

A	×12
	



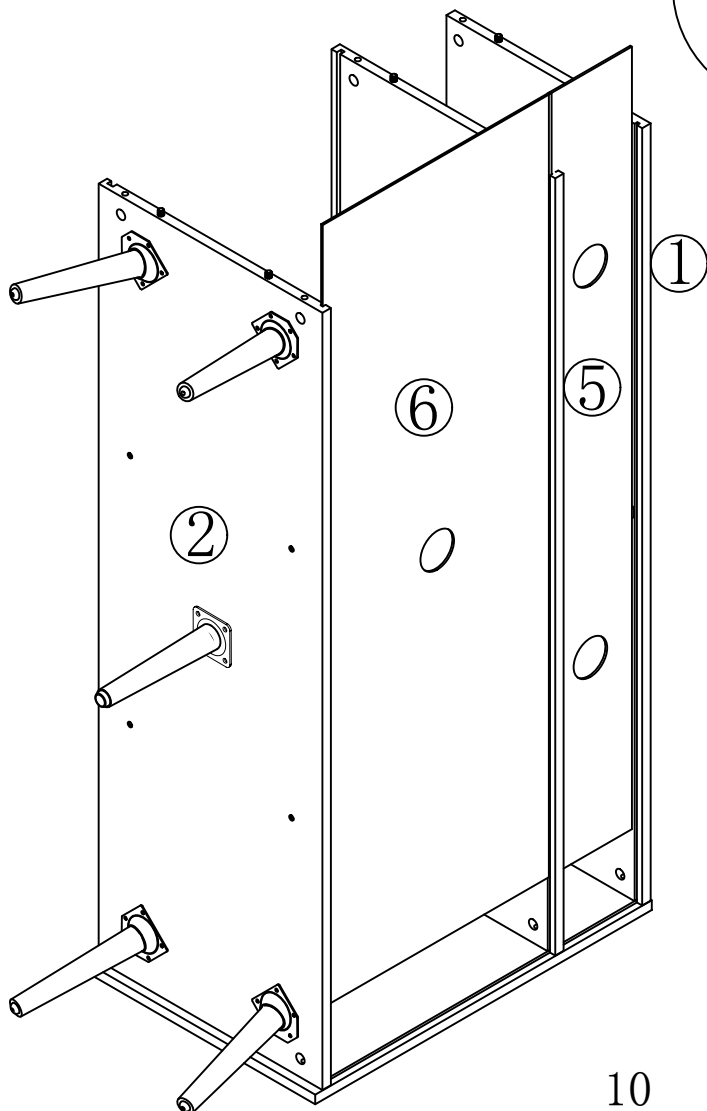
Step 10

B	×6	Q	×1
			

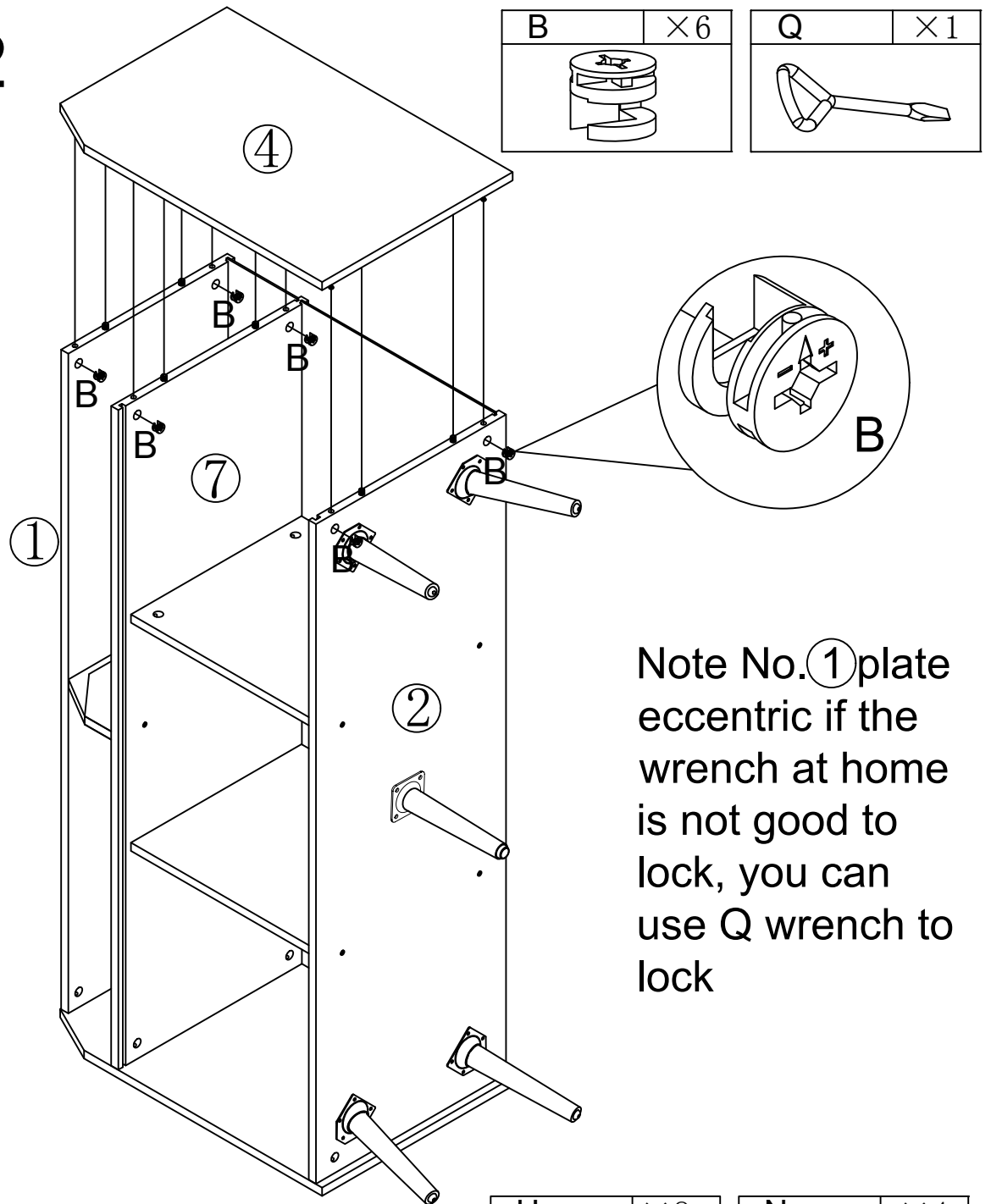


Note No. ① plate eccentric if the wrench at home is not good to lock you can use Q wrench to lock

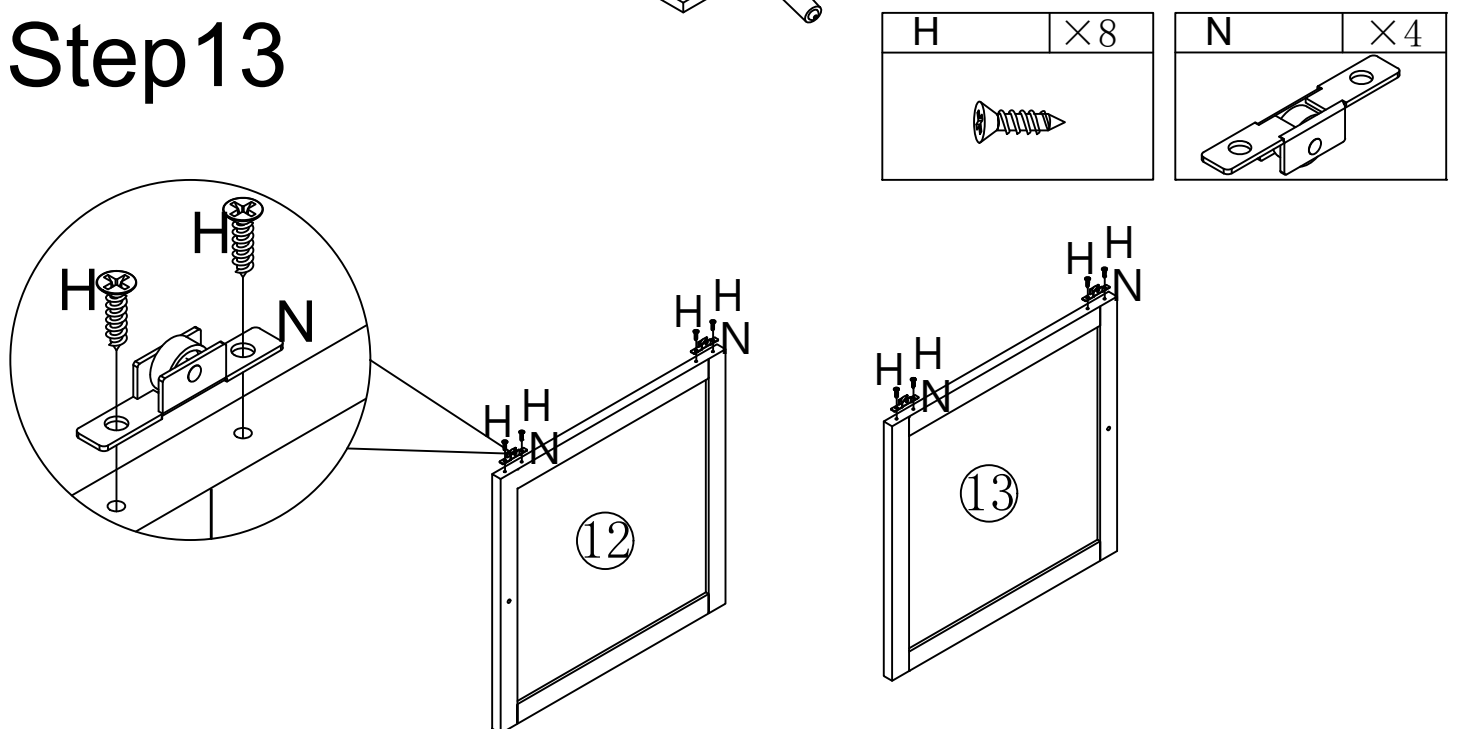
Step 11




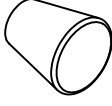

Step 12

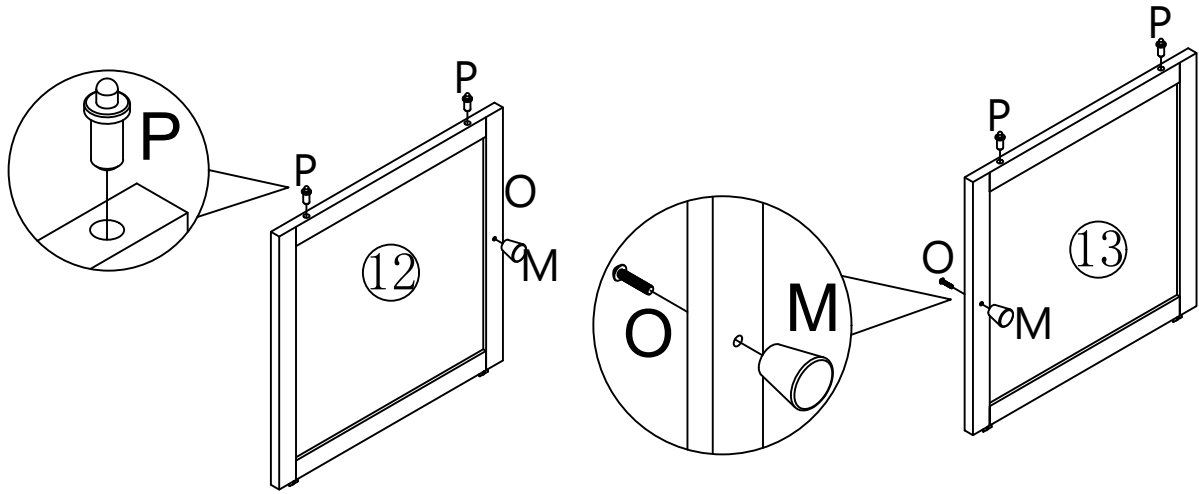


Step 13

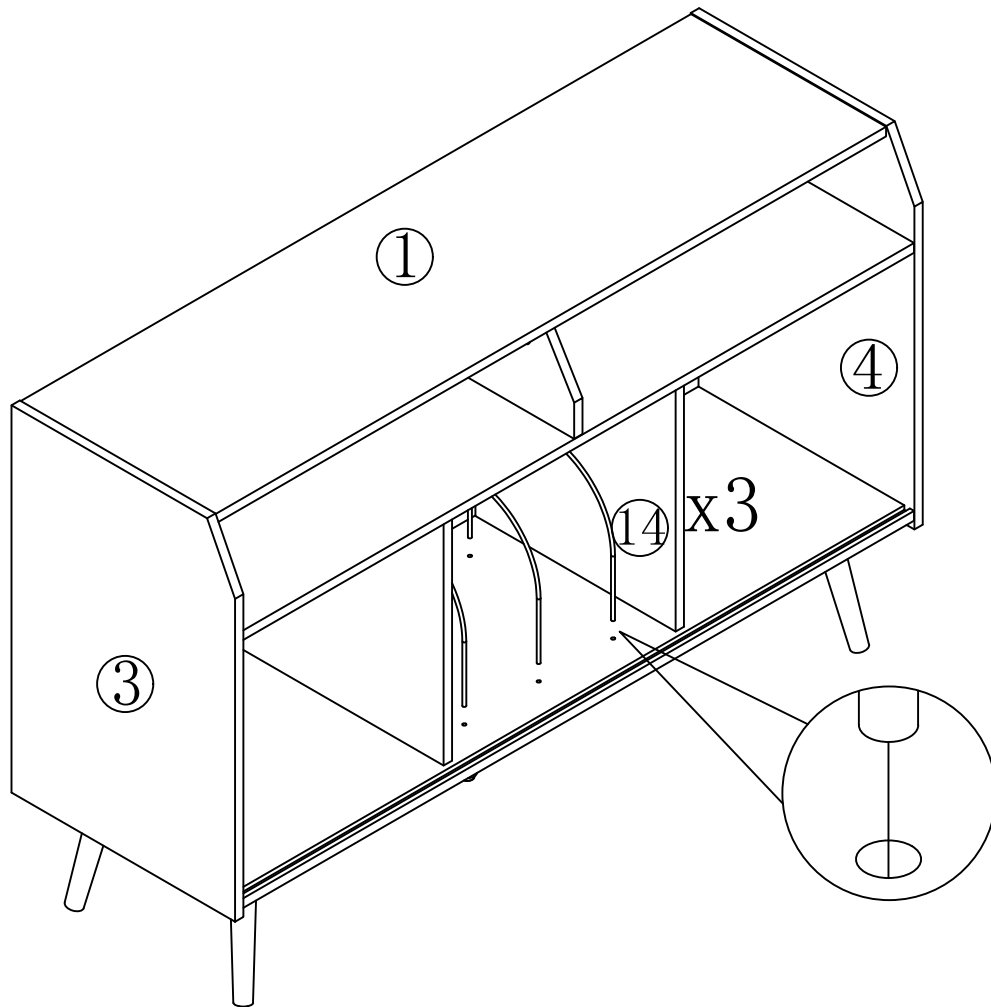


Step 14

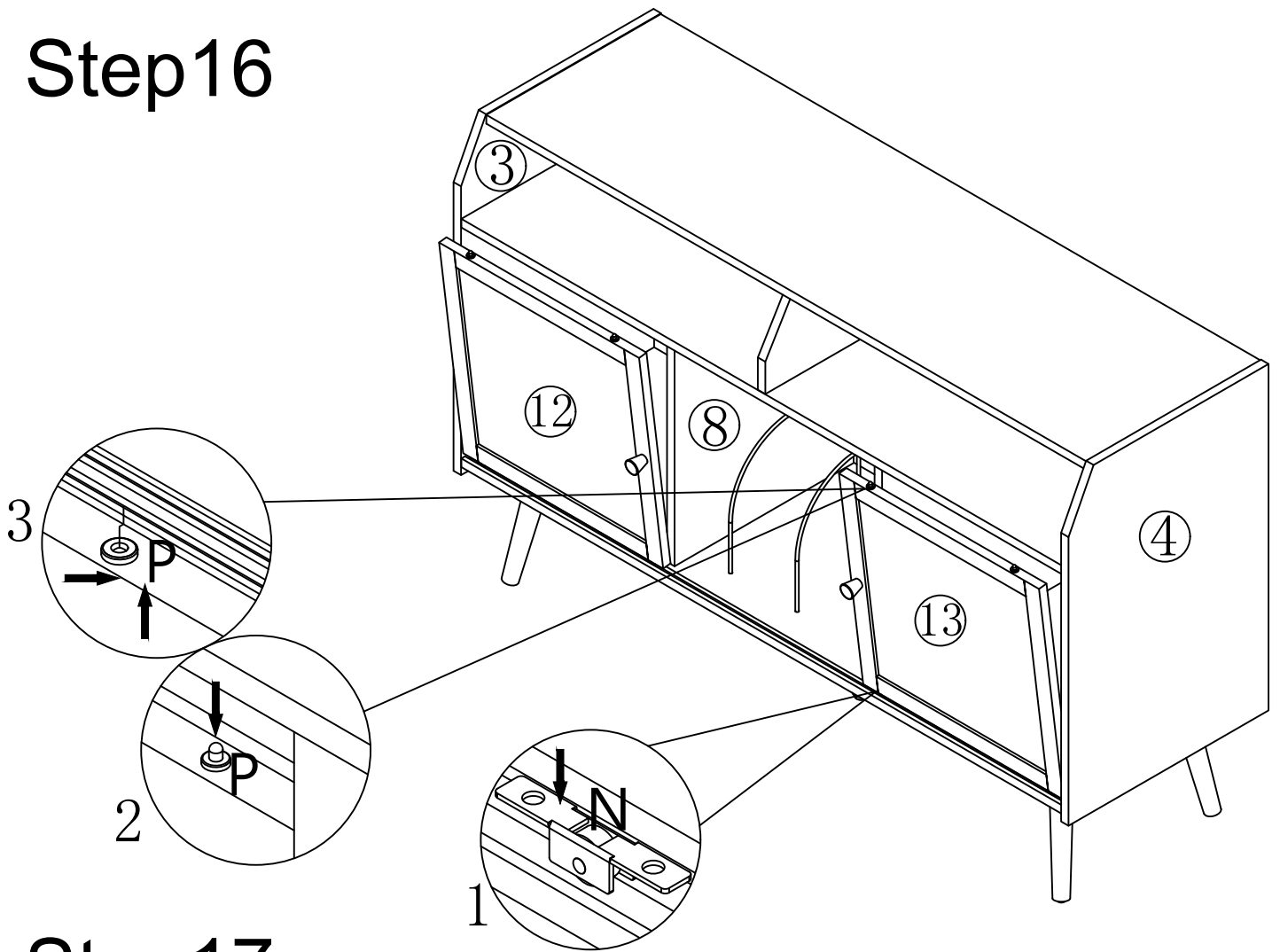
P	×4	M	×2	O	×2
					



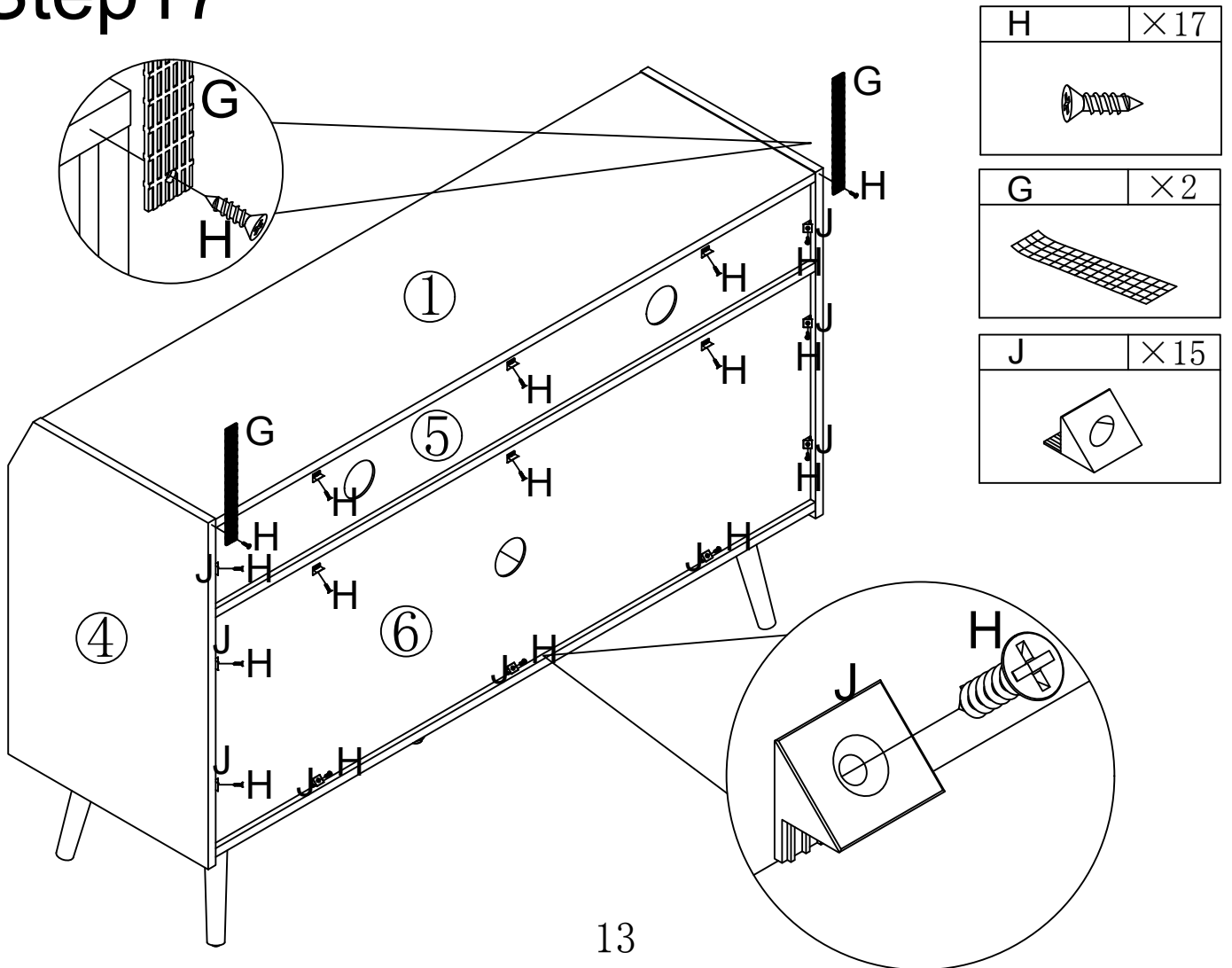
Step 15



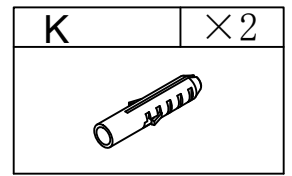
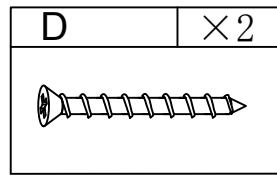
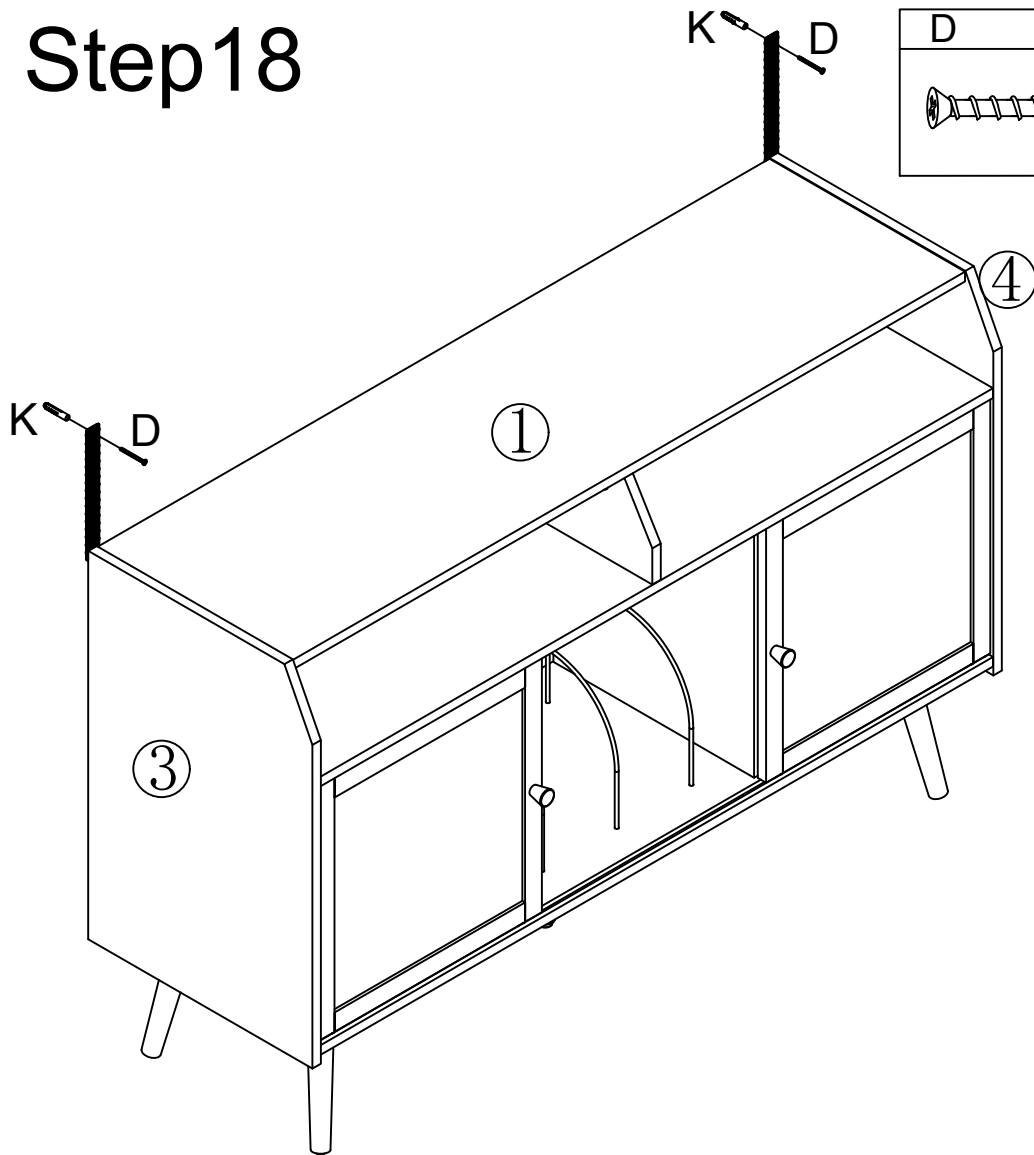
Step 16



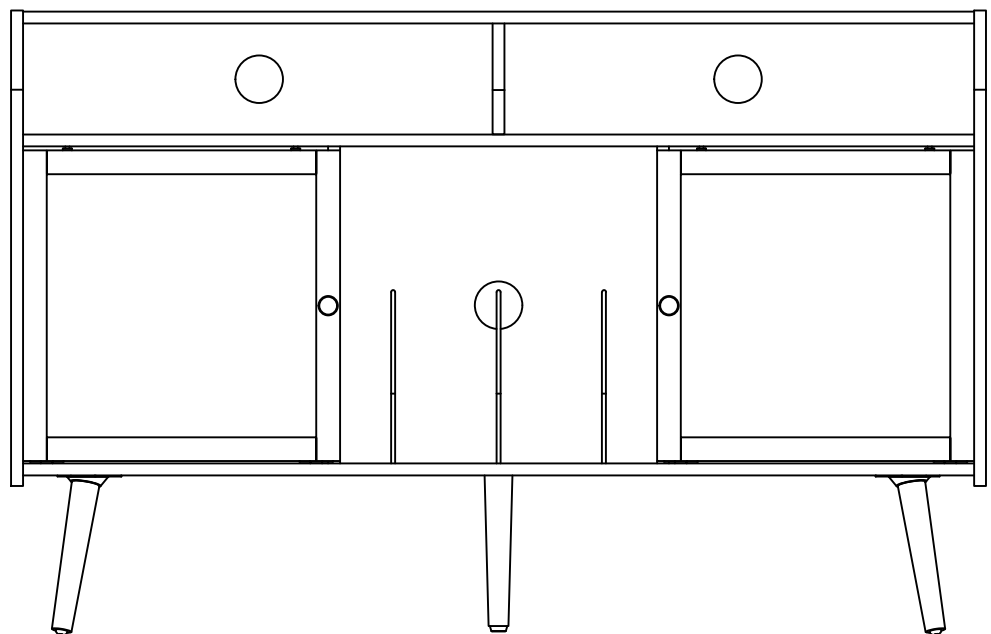
Step 17



Step 18



Step 19



If the center position of the cabinet is too high or too low due to uneven bottom plates or other reasons, adjust the adjustable foot pads on feet ⑪ to adjust the upper and lower height

