

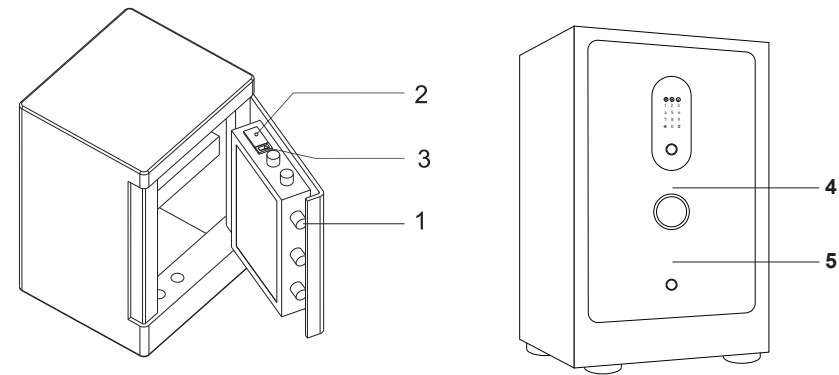
ELITE GUARDIAN ELECTRONIC SAFE INSTRUCTIONS

! Please do not keep emergency keys in your safe!

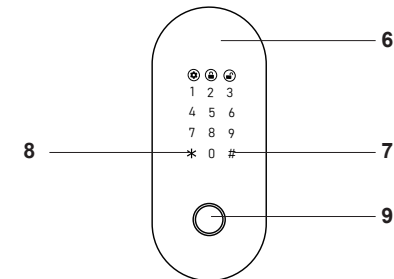
Dear valued customer:

Thank you for choosing our products! You've taken an important step in organizing and protecting your most valued possessions. Every series of our safes is professionally made and designed to provide safety. Please take time to read and familiarize yourself with the proper operating procedures of your new safe presented on the following pages. Again, thank you for choosing our products!

Schematic Drawing of the Safe Box



Schematic drawing of control panel



- | | |
|------------------------|---------------------------|
| 1. Bolts | 6. Digital Control Panel |
| 2. Battery Compartment | 7. Start & Confirm Button |
| 3. Reset Button | 8. Delete Button |
| 4. Knob | 9. Fingerprint Scanner |
| 5. Emergency Key | |

NOTE: The square emergency key cover (indicated by number 5) can be opened by pressing on its right side with your fingertip. Then the left side will pop out, revealing the keyhole underneath.

FACTORY SETTINGS

- 1.The default password is set to: 123456.
- 2.Fingerprint Data: Not registered (To unlock the box with your fingerprint, please register your first fingerprint.)

HOW TO OPEN THE SAFE FOR THE FIRST TIME

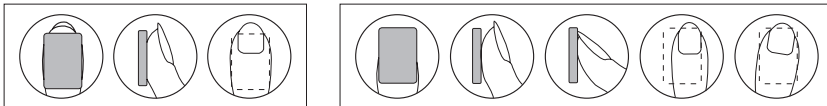
- STEP1:** Remove the emergency keyhole cover, then insert the emergency key into the keyhole, and turn it counterclockwise.
- STEP2:** At this point, **simultaneously** rotate the emergency key and the knob clockwise to a sufficient angle to open the safe.

INSERTING THE BATTERIES

- STEP1:** Open the safe, remove the battery compartment cover.
- STEP2:** Insert 4 AA batteries into the compartment, ensuring the spring end in the compartment matches the negative (-) terminal, and the flat end matches the positive (+) terminal.

HOW TO REGISTER YOUR FINGERPRINT

- STEP1:** Press the blue reset button (beside the battery compartment) inside the box briefly; the digital keypad will light up.
- STEP2:** Press the fingerprint scanner with the same finger four times in succession. (For the first three presses, the panel will emit a single “beep” sound each time. Upon the fourth press, the panel will emit two short “beep” sounds in succession, indicating successful registration of the fingerprint.)
- NOTE:** Repeat the single fingerprint registration process for each new fingerprint. The system can register up to 30 fingerprints.



I. Correct

II. Incorrect

HOW TO SET AND CHANGE THE USER CODE

- STEP1:** Press the blue reset button to activate the control panel.
- STEP2:** Enter the new 1-8 digit code and press the “#” key to confirm.
- STEP3:** Re-enter the same code you entered in STEP 2 for verification. If the system beep twice, it means your user code have been set successfully.

NOTE:

- 1.This product allows only one user code to be set. If you wish to change the code, simply follow the steps above to enter your new code. (The new one will overwrite the old one.)
- 2.You can press the “*” button during input to clear entered characters.

HOW TO UNLOC THE SAFE WITH FINGERPRINT

- STEP1:** Place your registered finger on the fingerprint scanner to initiate verification.

NOTE:

- 1.When verification is successful, the keypad will beep twice, and the safe will unlock. If no further action is taken, the lock will automatically relock.
- 2.If verification fails, the keypad will beep three times, and after six failed attempts, a 1-minute alarm will be activated.

HOW TO UNLOCK THE SAFE WITH PASSWORD

- STEP1:** Enter the preset password using the numeric keypad and press the “#” key to confirm.

NOTE:

- 1.If verification is successful, the keypad will beep twice, and the electromagnetic lock will unlock immediately.
- 2.If verification fails, the keypad will beep three times, and after 3 failed attempts, the alarm system will activate for 1 minute.

VIBRATION ALARM ACTIVATION GUIDE

- STEP1:** Press “#”, and you will hear a long “beep”, indicating that the alarm system is activated.

NOTE:

- 1.Once activated, the safe will trigger an alarm if it detects vibration. (The alarm will stop after unlocking the safe using a fingerprint or password.)
- 2.The alarm mode will be deactivated automatically after a successful unlocking action. **If you wish to enable the alarm function again, press the “#” key to reset it.**

RESTORE TO FACTORY SETTINGS

- STEP1:** To delete the fingerprint or the password, press and hold the blue reset button for more than 3 seconds. Release the button after hearing two short “beep” sounds. After hearing the beeps, the panel will return to factory settings.

LOW BATTERY WARNING

When the correct password or fingerprint is entered and the system emits three consecutive long “beep” sounds (beep—beep—beep), it indicates that the battery needs to be replaced immediately.