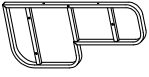








ASSEMBLY INSTRUCTION

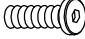
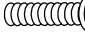
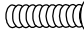

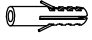

O&K FURNITURE MICROWAVE OVEN RACK

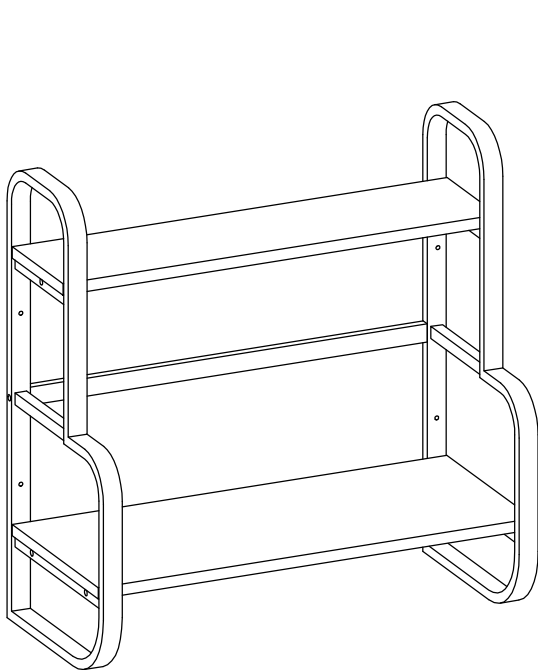
1. Extra Screws of A/B/C are provided in case of any screws missing in the box
2. Please take the time to identify and count all parts as well as the hardware to this product

PART LIST

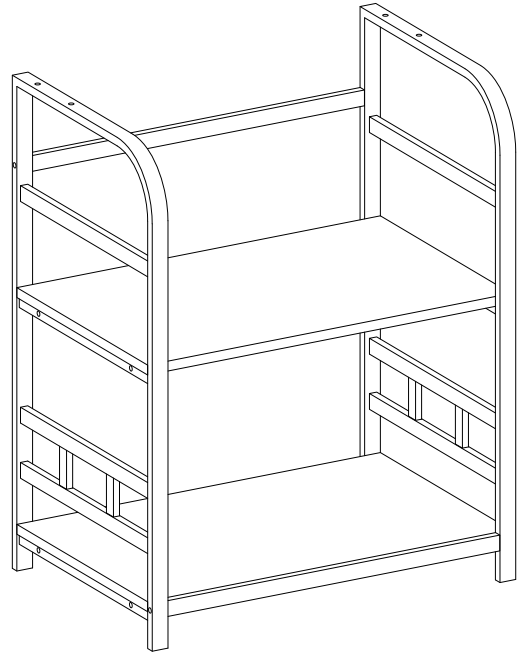
						
①×2PCS	②×2PCS	③×3PCS	④×7PCS	⑤×1PC	⑥×1PC	⑦×2PCS

HARDWARE

 M6×22mm	 M6×25mm	 M6×45mm
A x 4PCS	B x 28PCS	C x 6PCS
 4×45mm	 Ø6×30mm	 F x 4PCS
D x 4PCS	E x 4PCS	G x 1PC



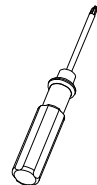
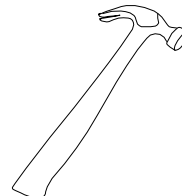
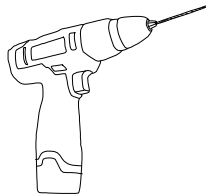
1



2

SUGGEST TOOL

(NOT INCLUDE IN THIS PACKAGE)



Noted:

1. It is recommended that this item should be assembled by two adults
2. Assemble this item on a soft surface, such as cardboard or carpet, to protect finish

For product assistance and warranty information, please contact O&K Furniture before return this product:

Customer Service: okservice@golden-south.com

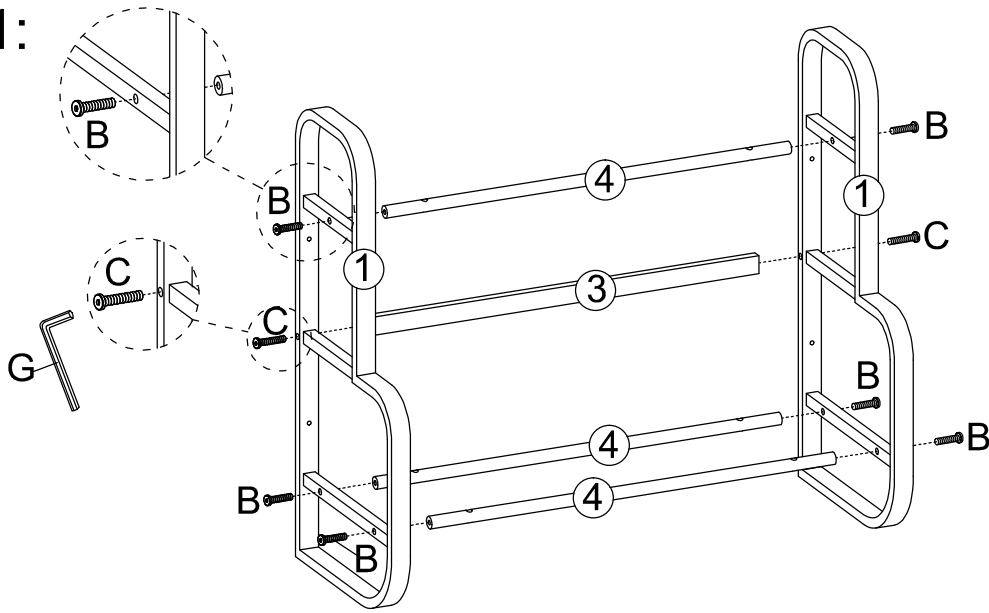
Please provide us with following information, so that it will be easier to resolve your problem smoothly.

1. Order ID:
2. Pictures of Your Items Damage or Parts Missing:

Thank You for Purchasing Our Furniture, It's an Honor to Be in Your Home!

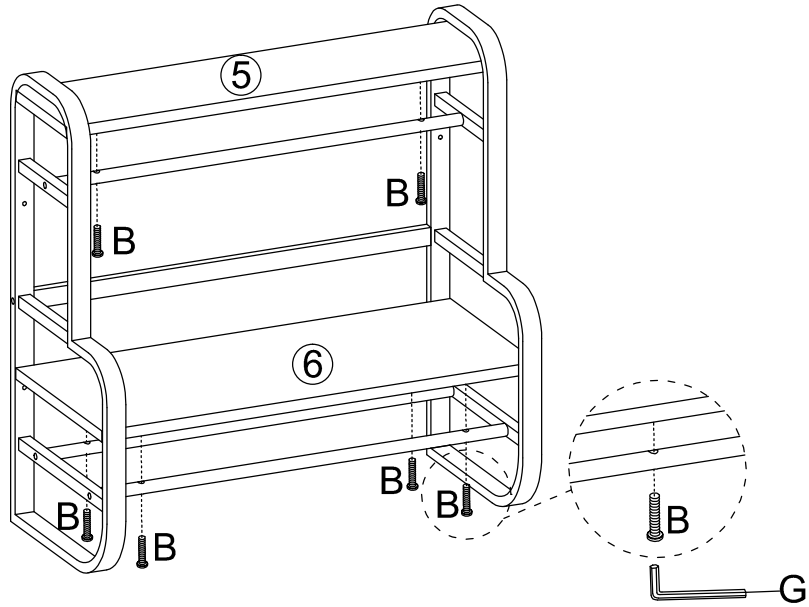
NOTED: Please do not tighten all bolts until the products is assembled completely.

Step 1:

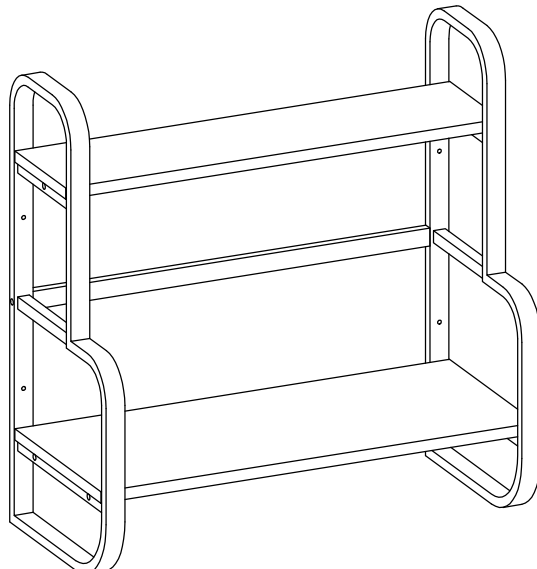


B×6PCS
C×2PCS

Step 2:

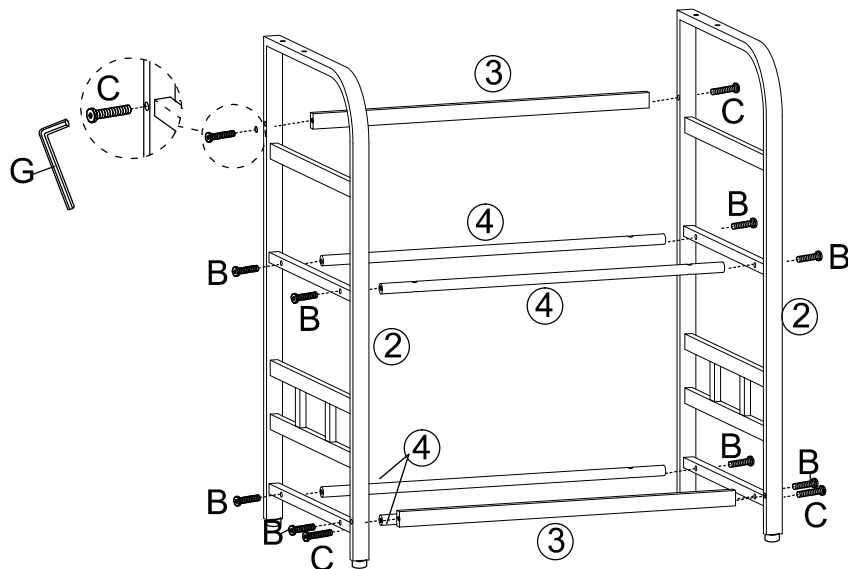


B×6PCS



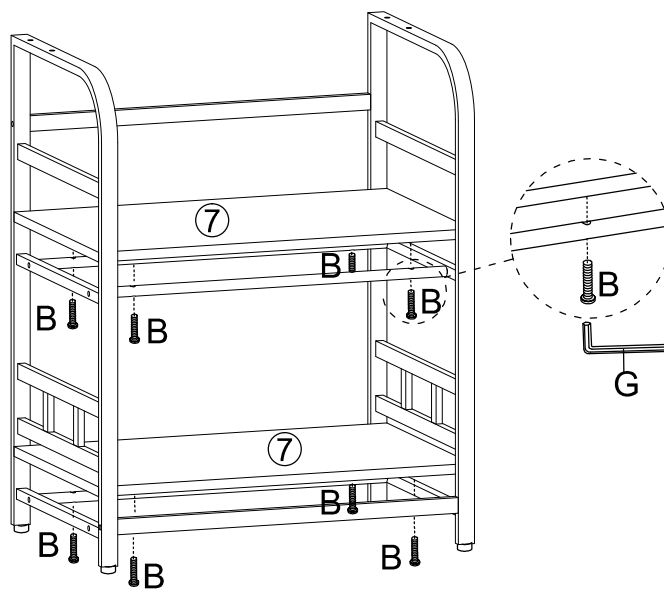
1

Step 3:

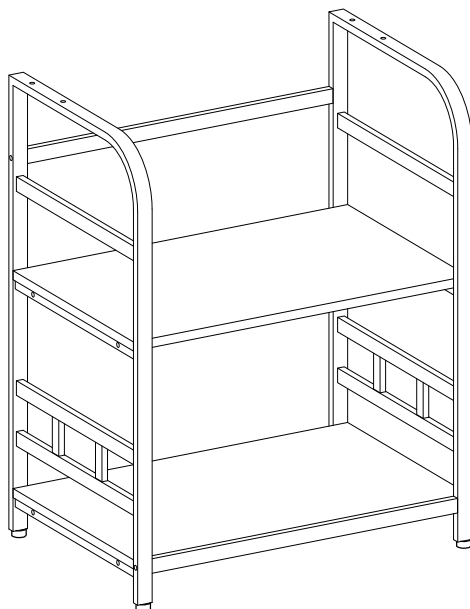


B×8PCS
C×4PCS

Step 4:



B×8PCS

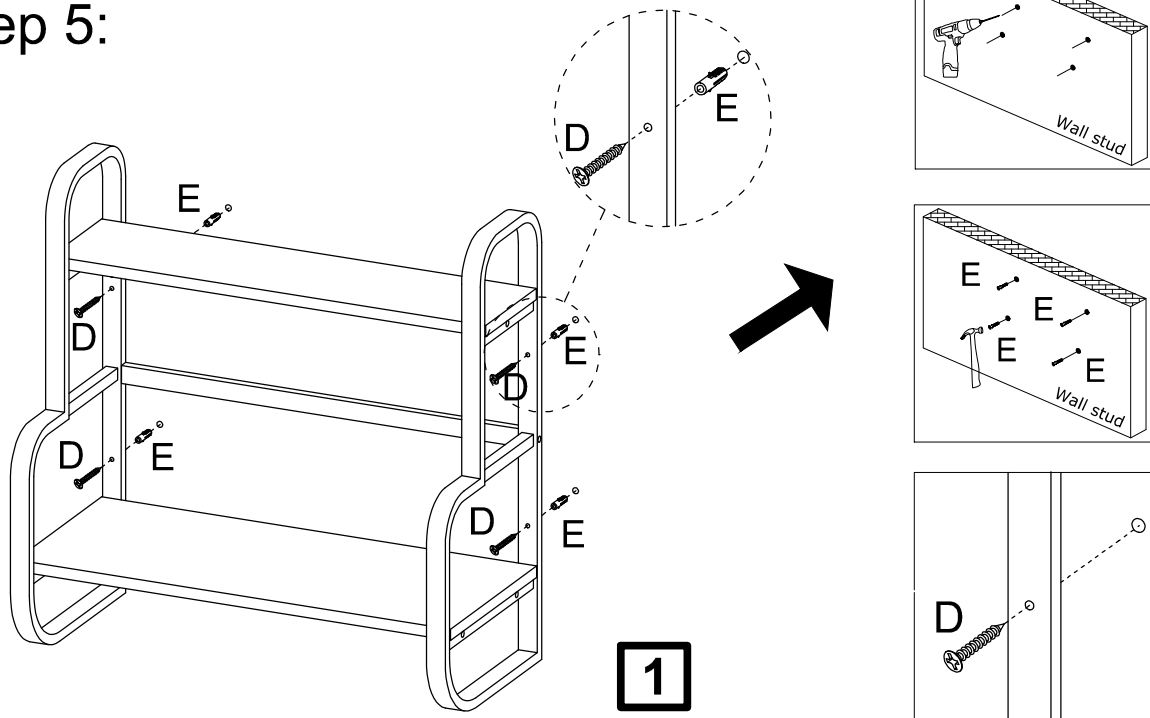


2

Alternative way to assemble

The First Option:

Step 5:

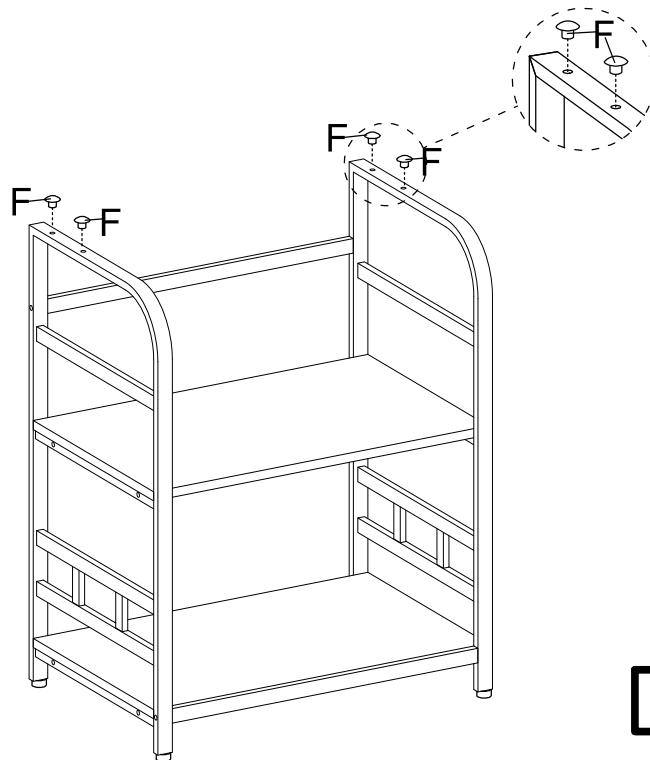


you can choose hang the 1 on the wall or place it on the table, while put the 2 on the floor.

D×4PCS

E×4PCS

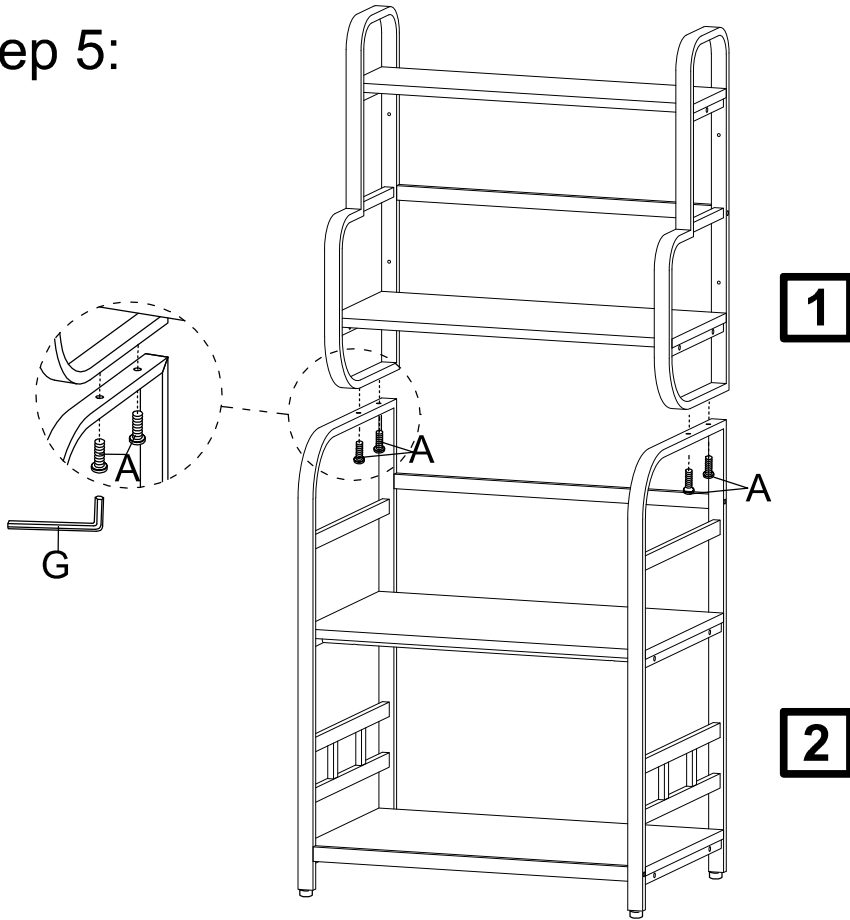
Step 6:



F×4PCS

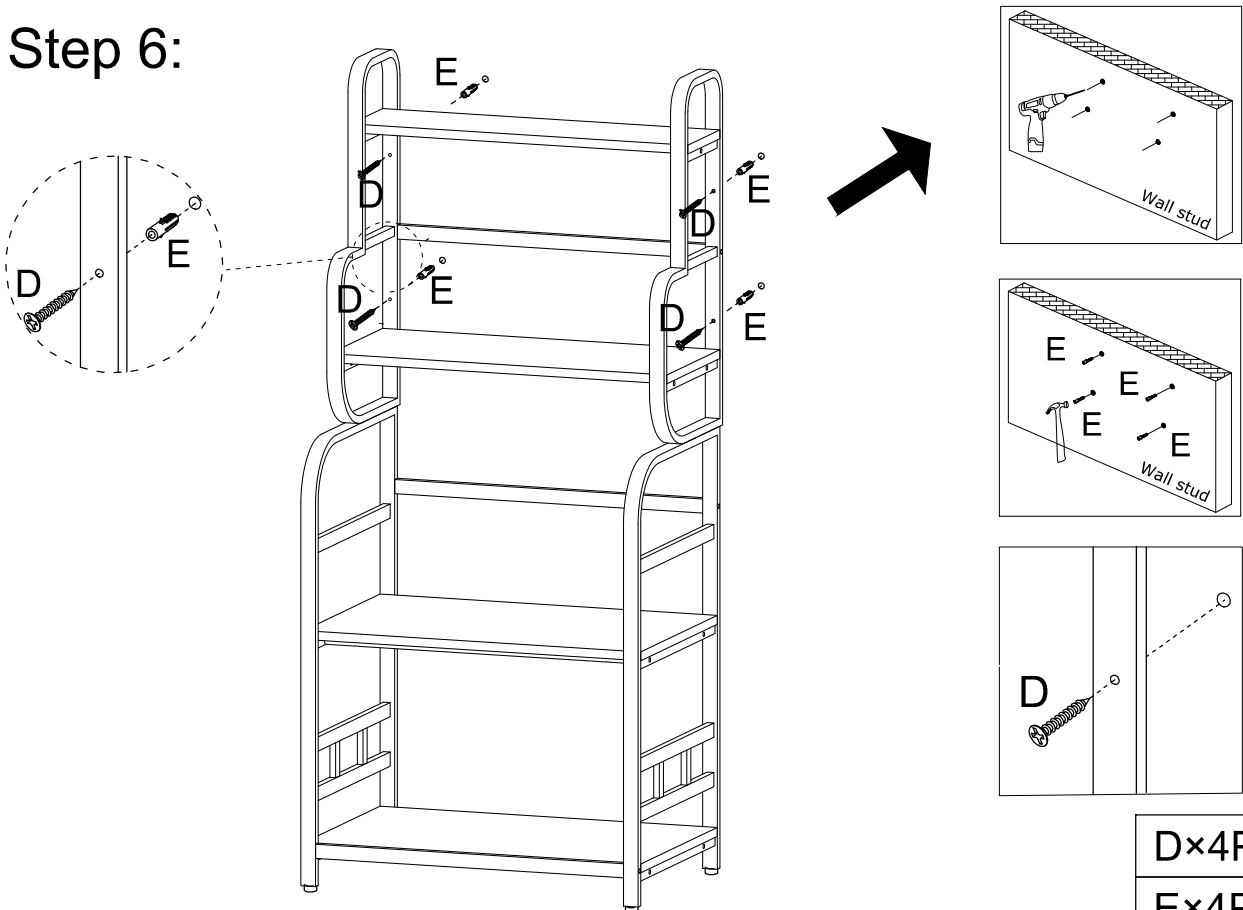
The Second Option:

Step 5:



A×4PCS

Step 6:



D×4PCS

E×4PCS