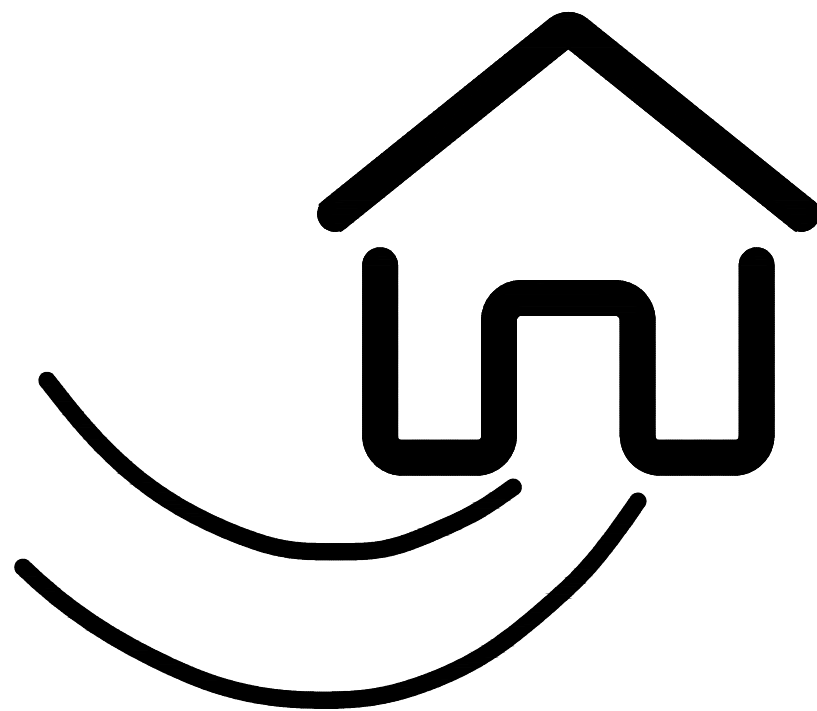


HAPPINESS HAPPINESS INSTALLATION



- If you have any questions with the product, please contact us by:
- **Email: customerservice@zoy-living.com**
(we will reply to you within 24 hours)

Assembly Instructions

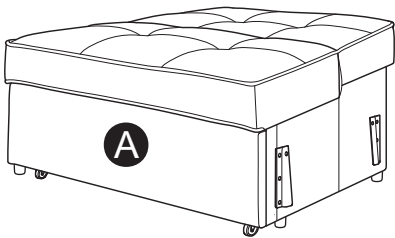
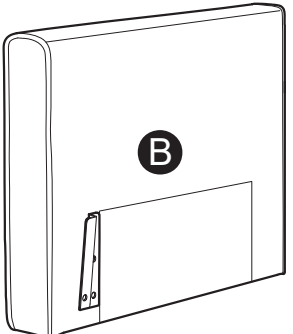
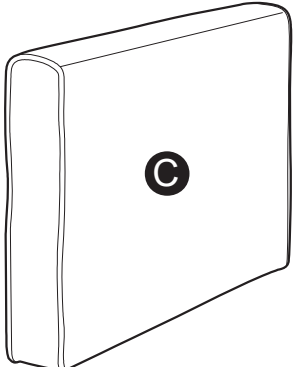
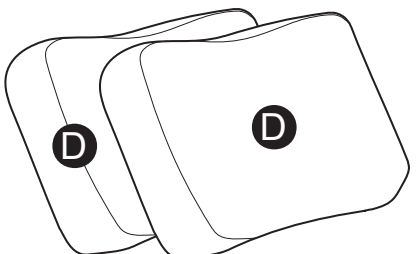
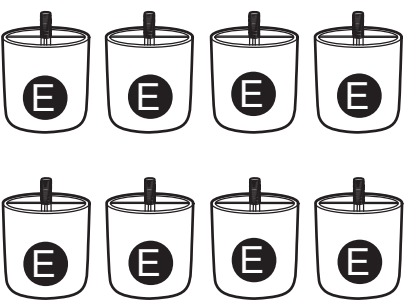
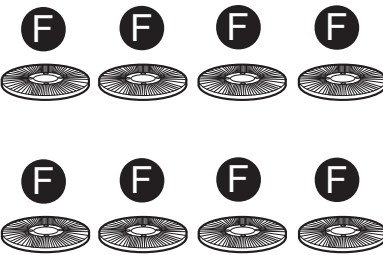
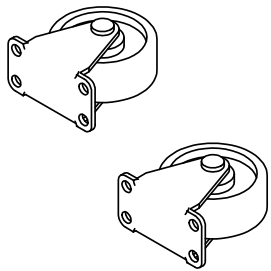

KF005AF61D

Your recliner comes packaged in one box. Carefully remove all of components from the packaging and set aside for assembly.

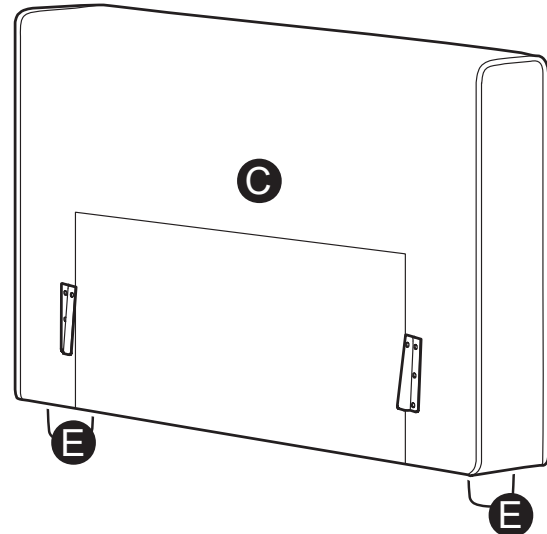
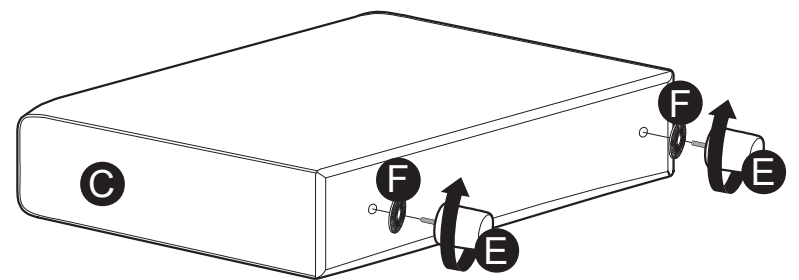
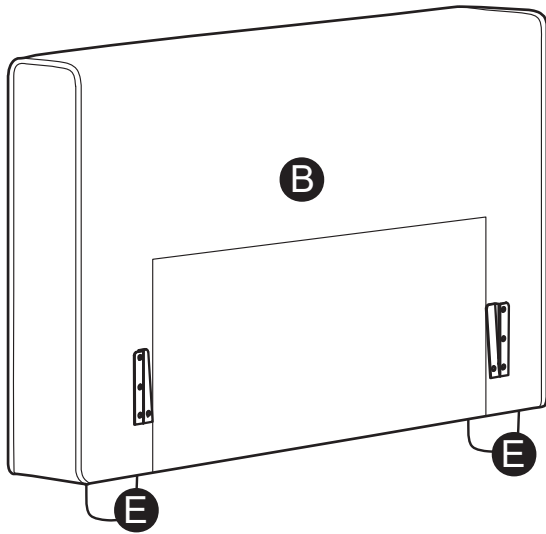
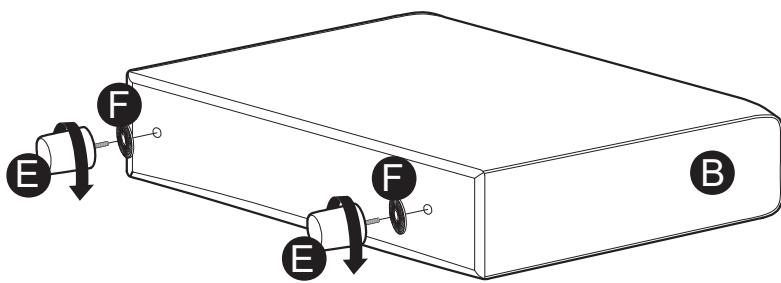
CAUTION:

DO NOT use any sharp objects to open plastic wrapped components as damage to product or components may result.

Package Contents

			
<p>A 1* Chair Seat</p>	<p>B 1* Left Chair Arm</p>	<p>C 1* Right Chair Arm</p>	<p>D 2* Chair Pillow</p>
			
<p>E 8* Chair Leg</p>	<p>F 8* Washer Leg</p>	<p>G 2* Wheel</p>	<p>H 8* Screw Wheel</p>

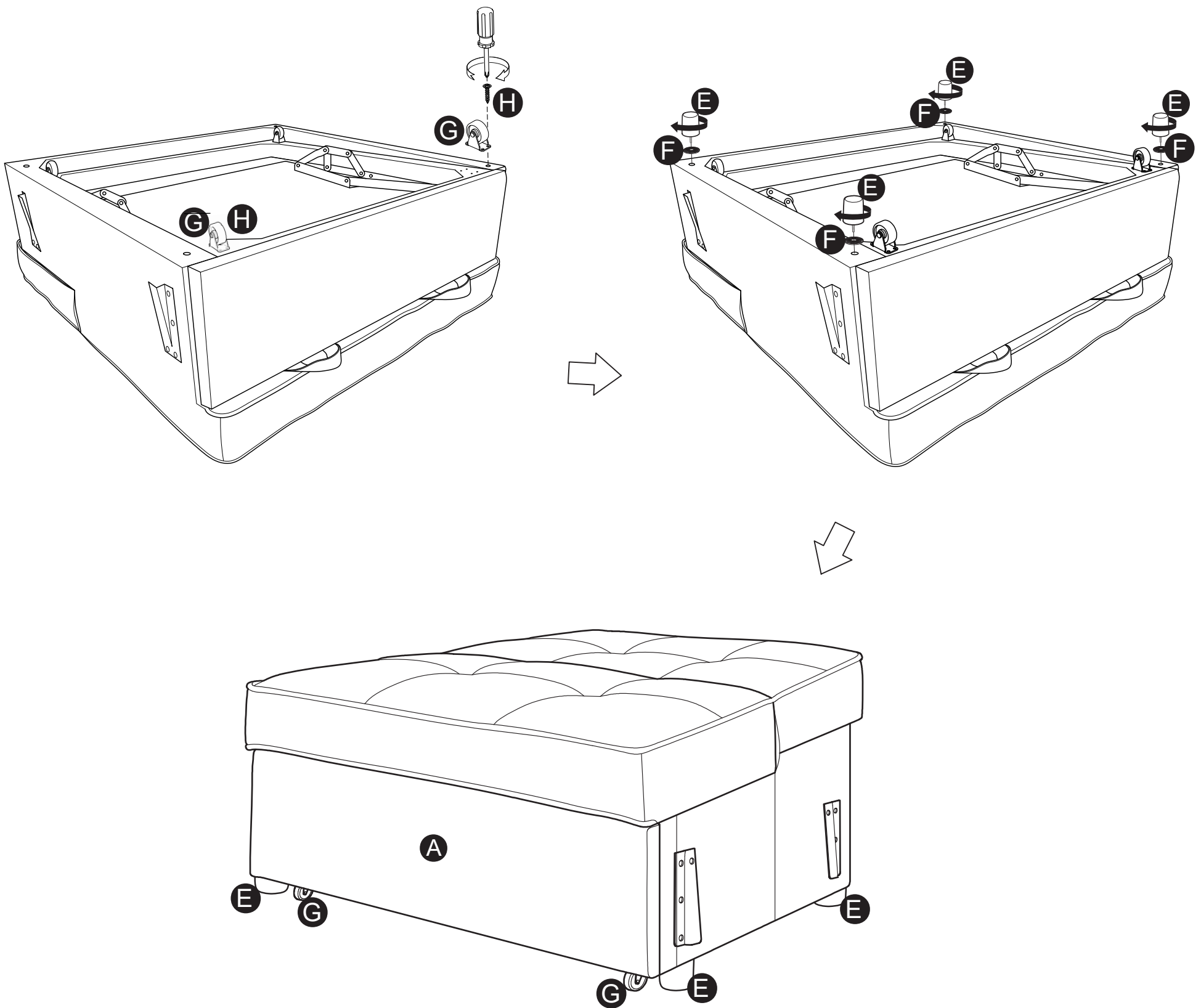
Step 1: Turn the chair arm (B) and (C) upside down and lay on protective carpet. Insert chair leg (E) and Washer (F) as shown below. Note, use your hands to assemble them together, avoid tightening.



ATTENTION!!

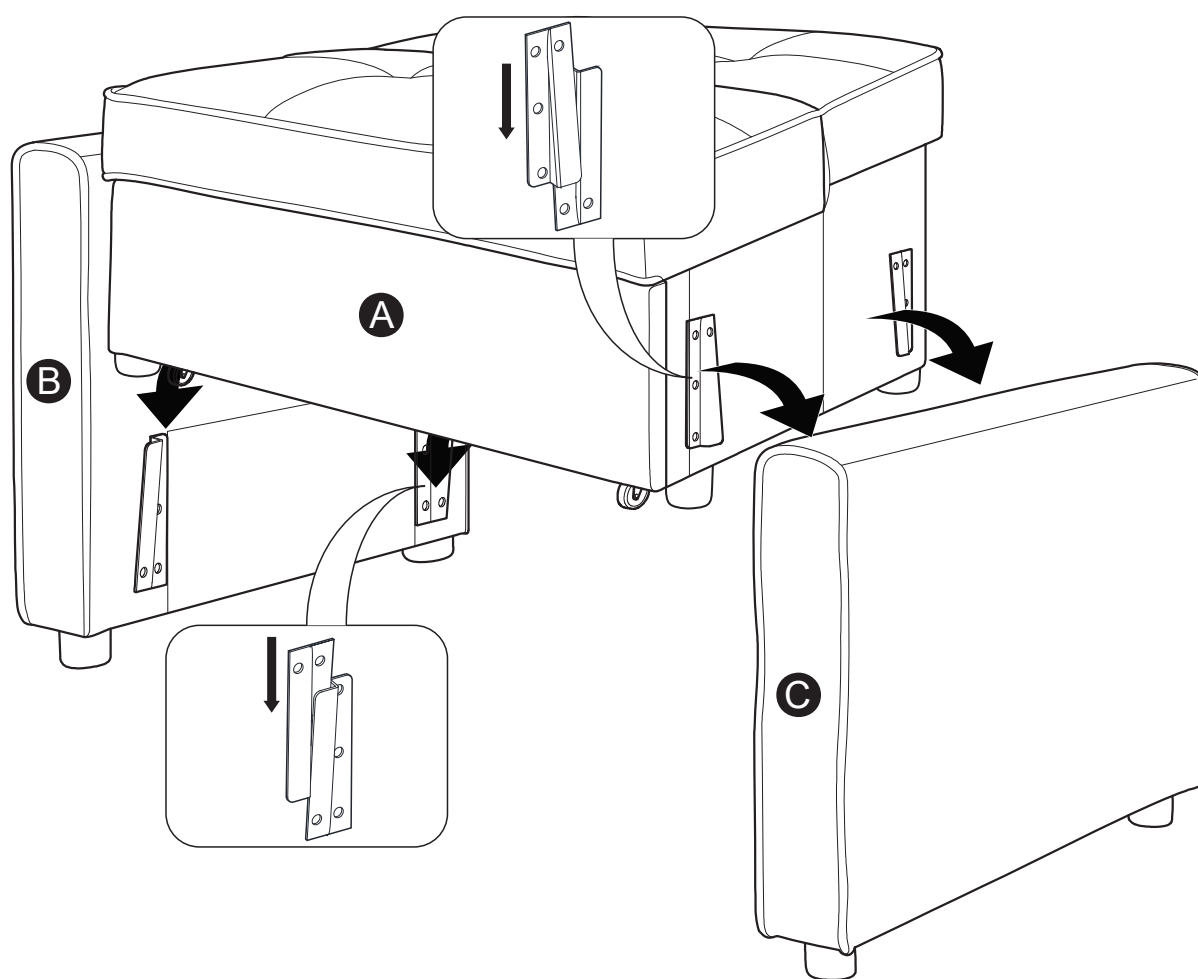
Bolts may loosen during normal everyday use. They should be periodically inspected and re-tightened to prevent damage or injury. Always check to ensure that all hardware is kept tightened.

Step 2: Turn the chair seat (A) upside down and lay on protective carpet. Place the wheel (G) according to the pre-dot, use the screw (H) to assemble connect them together as shown below, tighten. Next, insert chair leg (E) and Washer (F) as well as the step one instructions.

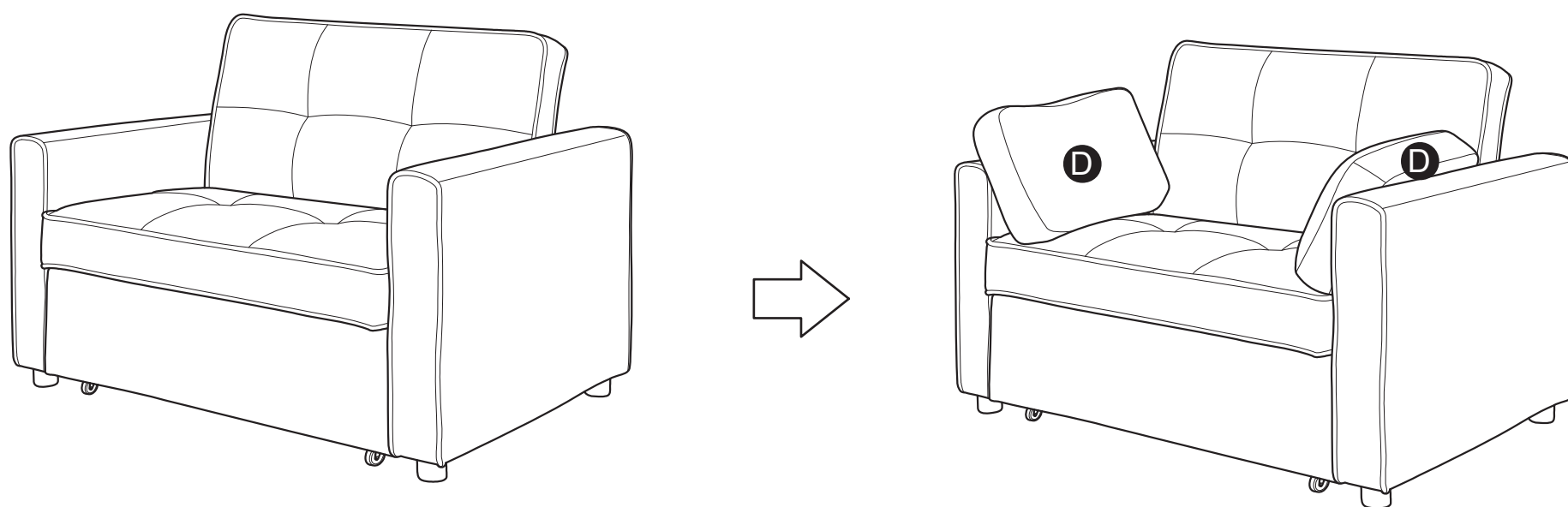


ATTENTION!!
Bolts may loosen during normal everyday use. They should be periodically inspected and re-tightened to prevent damage or injury. Always check to ensure that all hardware is kept tightened.

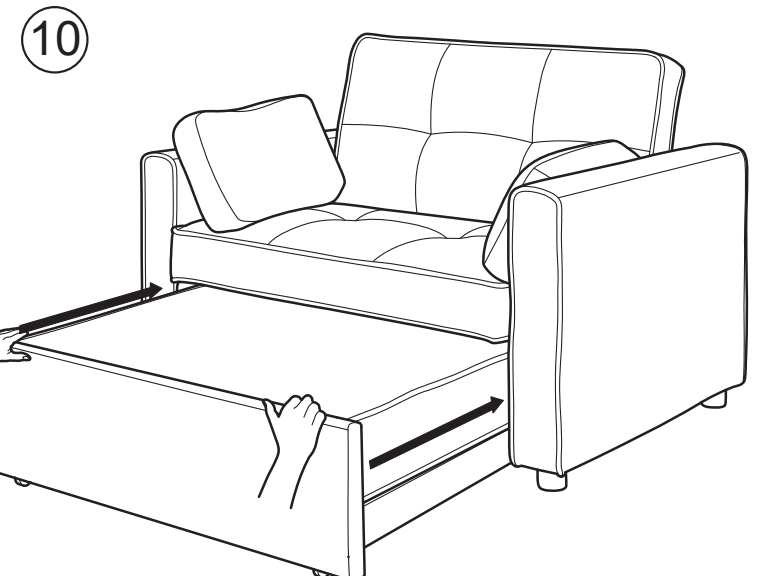
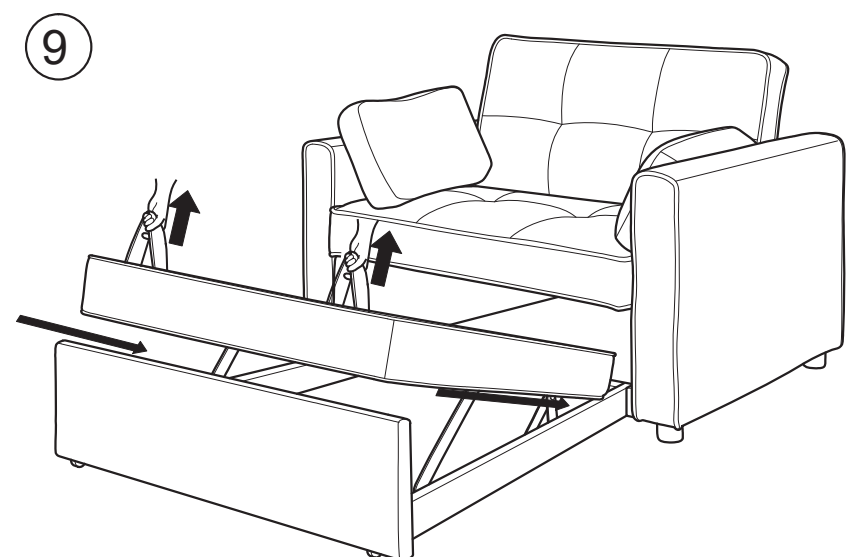
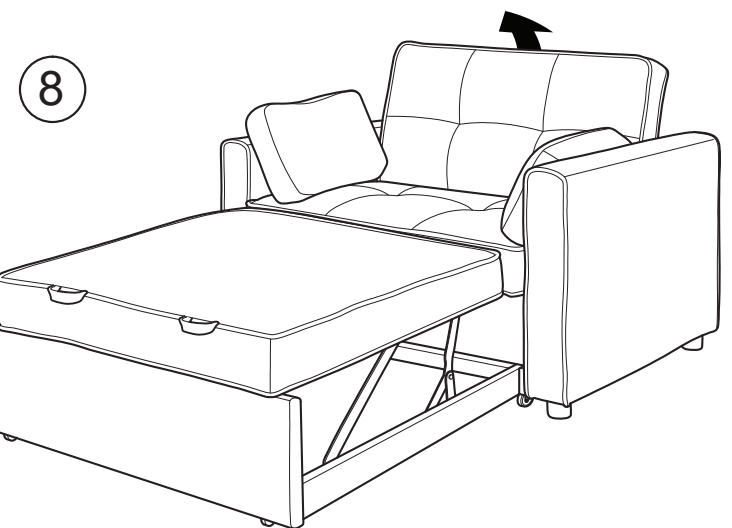
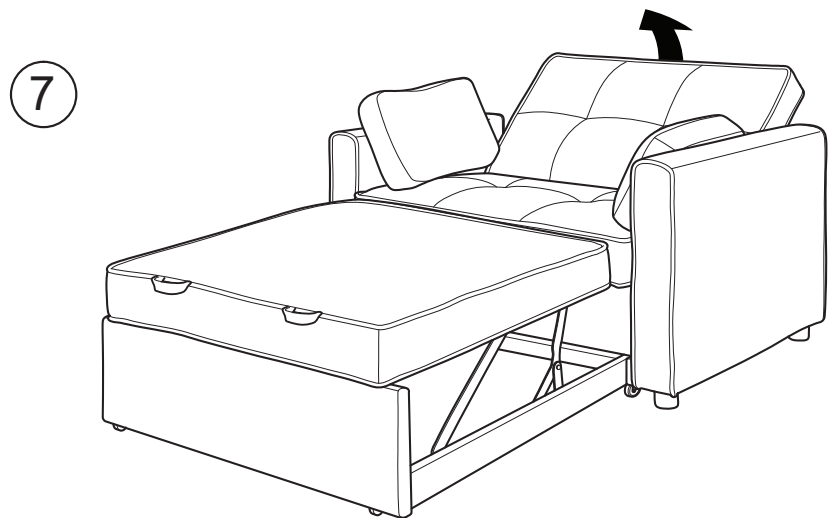
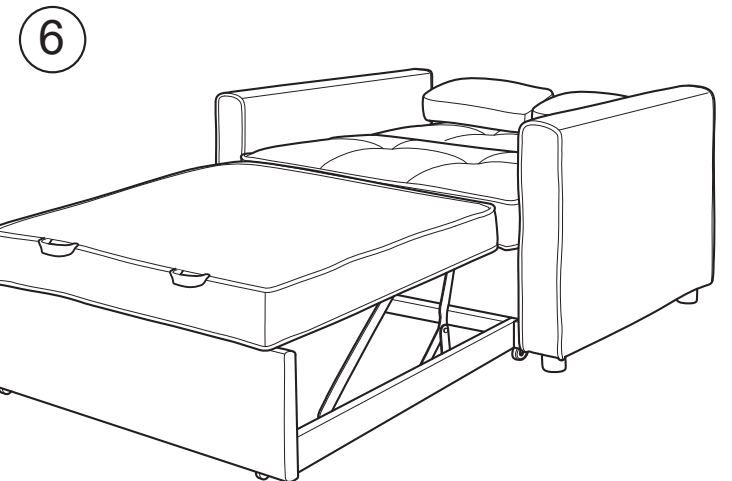
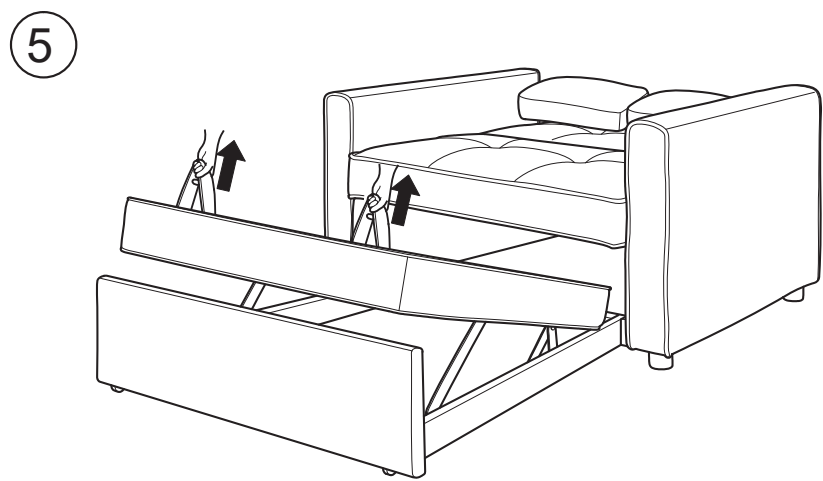
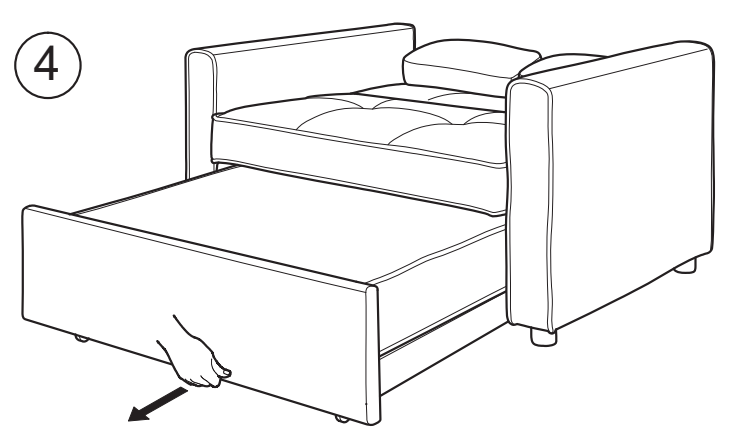
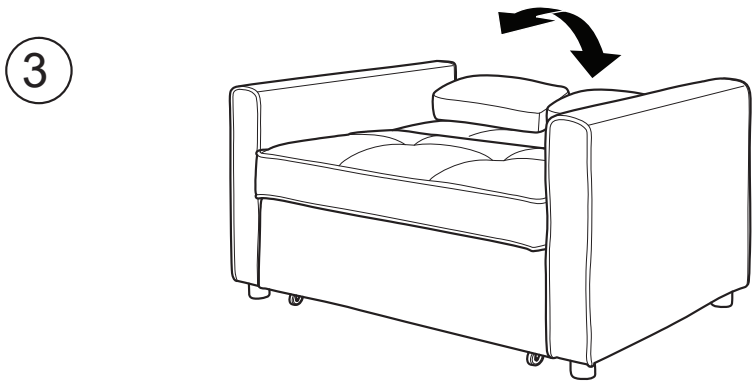
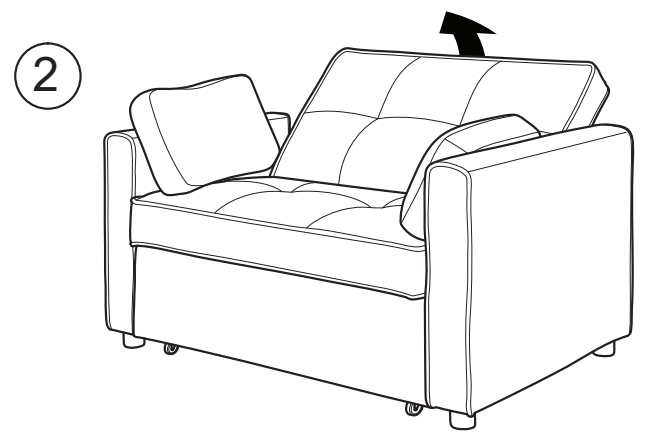
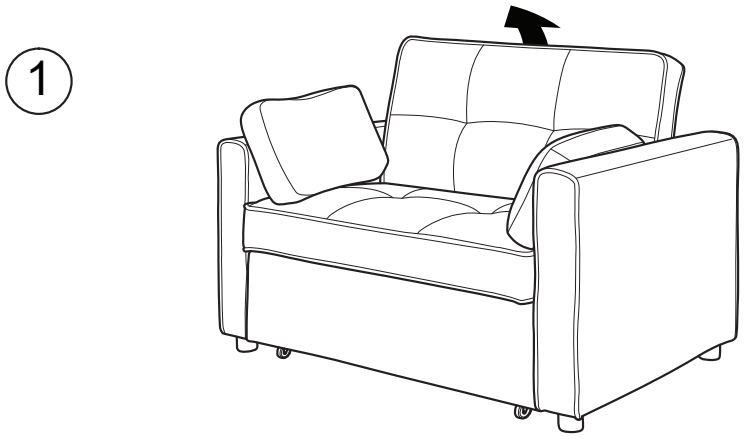
Step 3: Insert the Seat (A) between the Hands (B) and (C) through the hard side as below.



Step 4: Assembly is complete.



FUNCTIONS :



Warnings

1. Please check if the components of the chair are all included and can be used normally.
2. Assemble all components according to the instruction correctly.
3. If the chair is damaged or doesn't match the website description, please send clear pictures of the product and label of the carton to our service team for further help.

If the chair still doesn't assembly, please feed the information back to our customer service in time and we'll help you solve the matter as soon as possible

4. If you have any questions with the product, please contact us by:

Email: customerservice@zoy-living.com(we will reply to you within 24 hours)