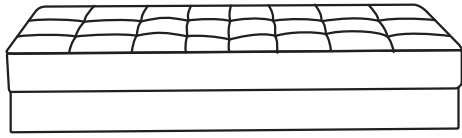
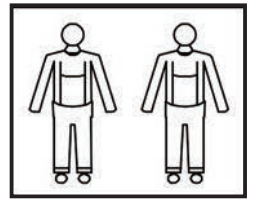
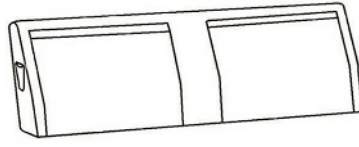


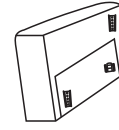
# ASSEMBLY INSTRUCTION SL+13052L/13053L



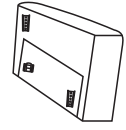
A\*1



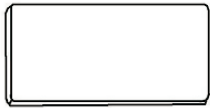
B\*1



C\*1LEFT



C\*1RIGHT



D\*2



E\*2



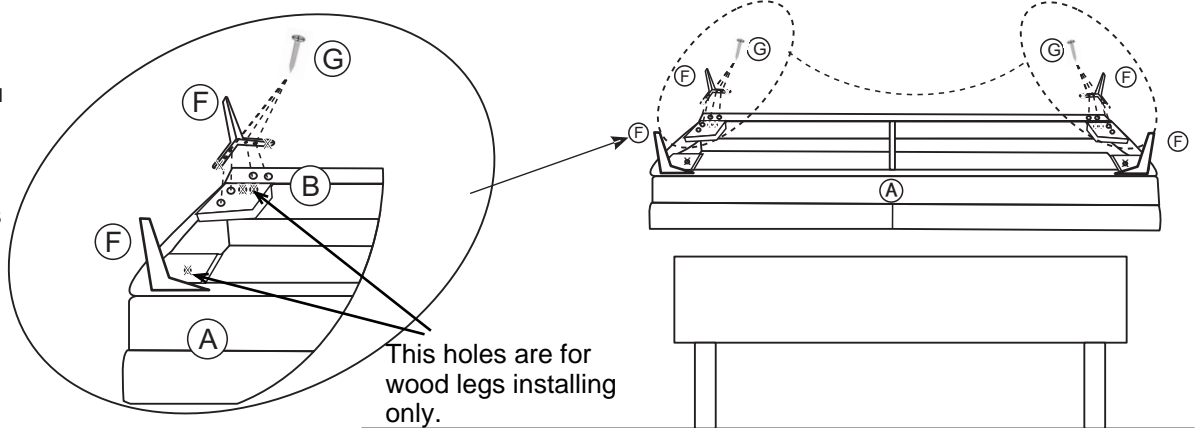
F\*4



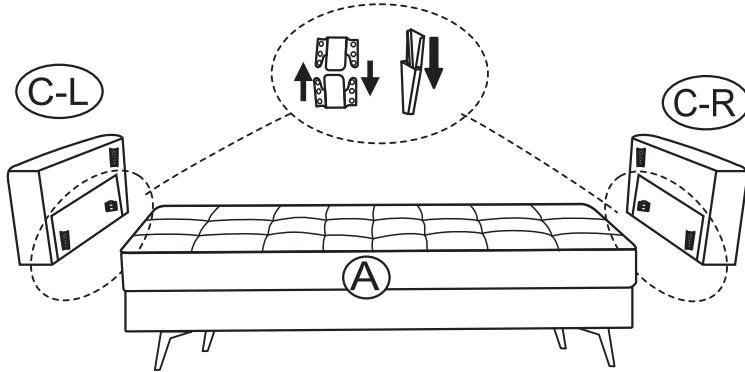
G\*16

## STEP 1:

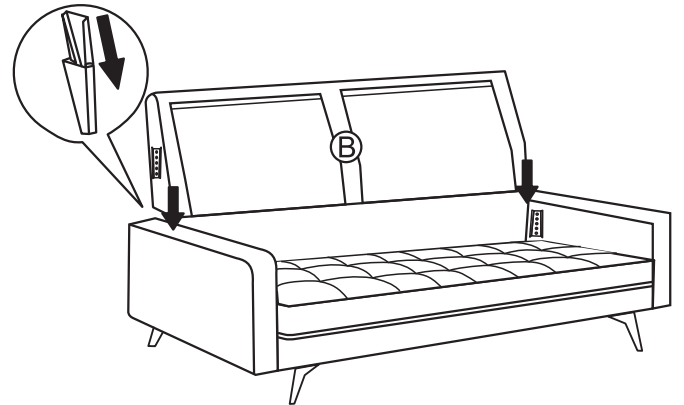
Before assembly, you need to prepare screwdriver or electric drill to install the screws of the sofa legs.



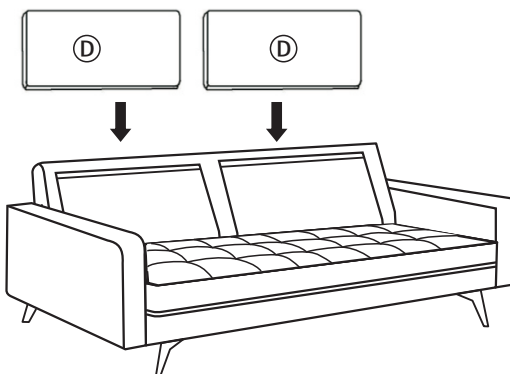
## STEP 2:



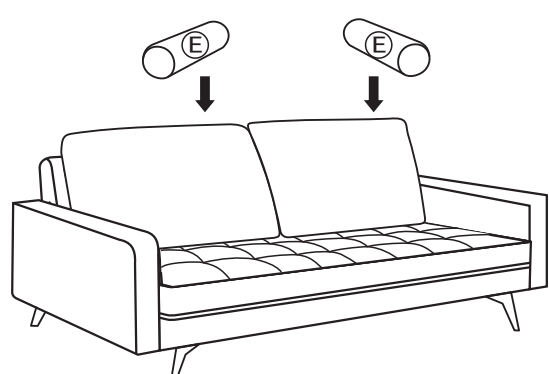
## STEP 3:



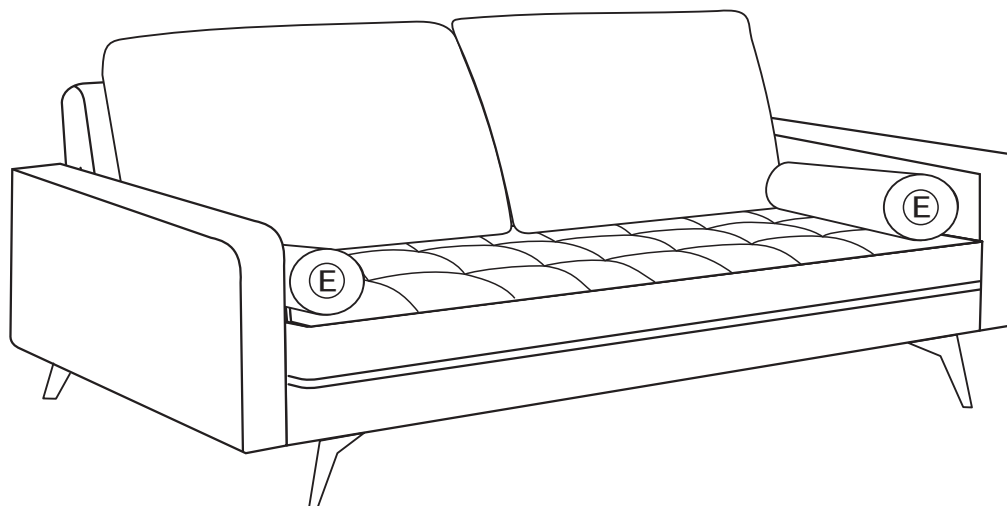
## STEP 4:



## STEP 5:

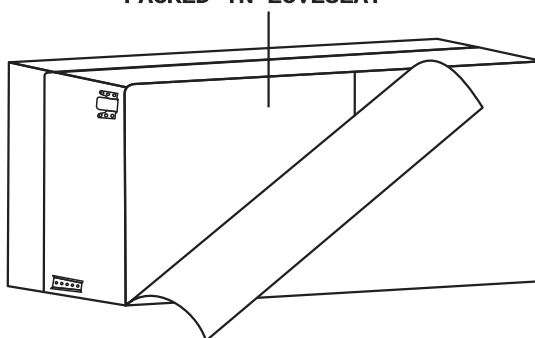


**STEP 6:**



**KINDLY REMINDER**

**D\*2 、 E\*2 、 F\*4 、 G\*16  
PACKED IN LOVESEAT**



**CAREFULLY UNPACK AND PLACE THE LOVESEAT BODY (A) ON A CLEAN FLAT SURFACE TO SHOW THE BASE AS SHOWN.  
UNPACK PARTS FROM THE STORAGE COMPARTMENT**