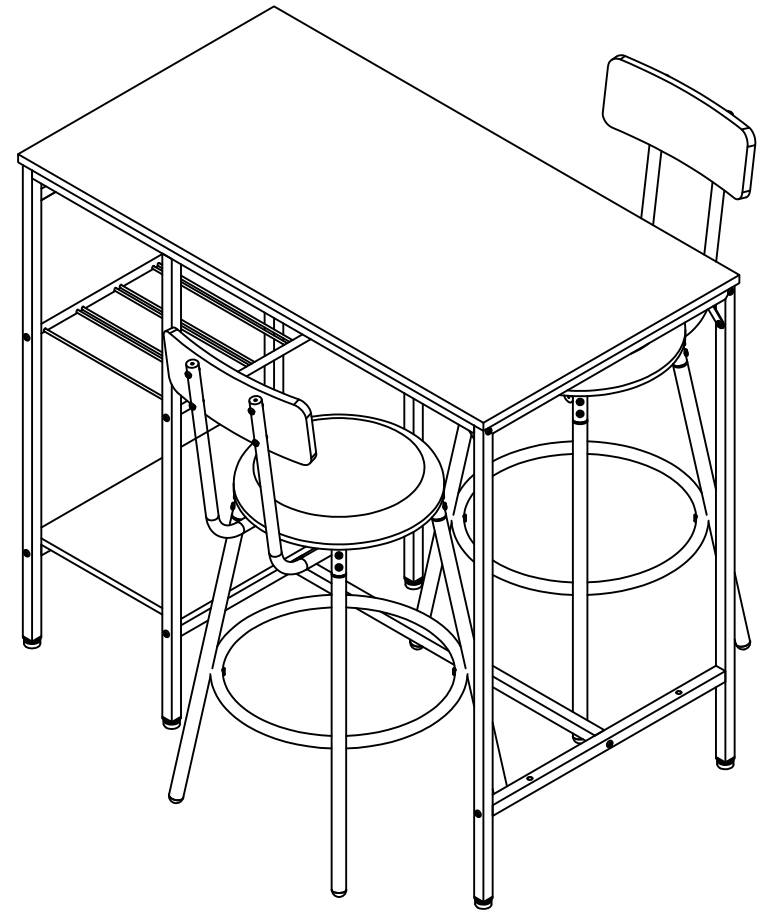


Installation Instruction

DJBZ002



GUIDE & NOTES

Before assembling, please check if all parts are present.

If any parts are missing, please contact our customer service team right away for assistance.



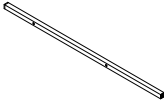
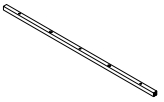
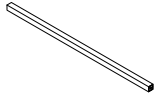
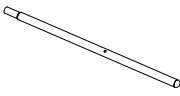
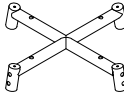
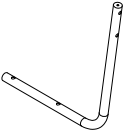
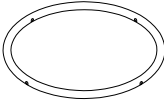
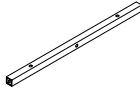
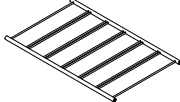
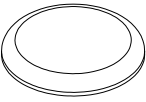
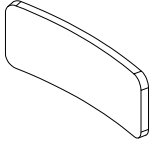

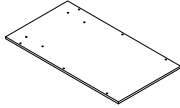
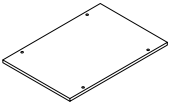
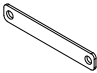

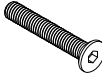


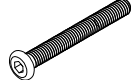
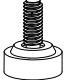

To make the assembling process easier, please do not tighten up the screws until everything is assembled.

It is better to assemble this product with 2 adults.

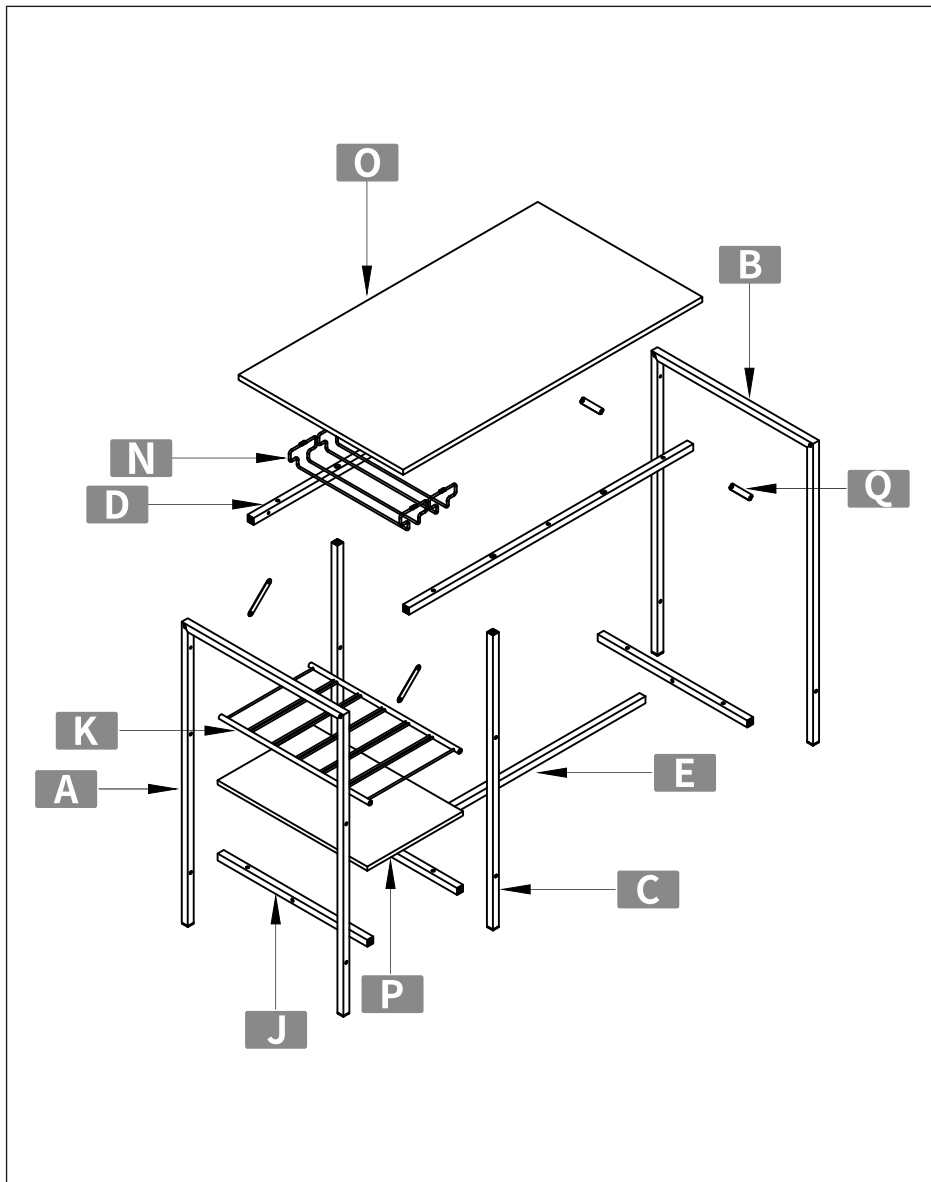
1. Keep children away when assembling.
2. May need professional installer if needed.
3. Please kindly note that the screws can't be over-tight during installation.
4. If this product is set outside for a long time, it would become rusty and the color would fade.
5. When transporting this product, please be sure no items are on it. When transporting, try to move it horizontally.
6. Do not put weights on one point, it is best to separate the weights throughout the product.
7. The screws might become loose after a period of time, be sure to check the hardware from time to time.
8. If you want the product to last long, please do not place wet or hot items on this product.

This product has passed our safety test. If you believe you have received a defective item, please feel free to contact us. We'll be glad to assist.

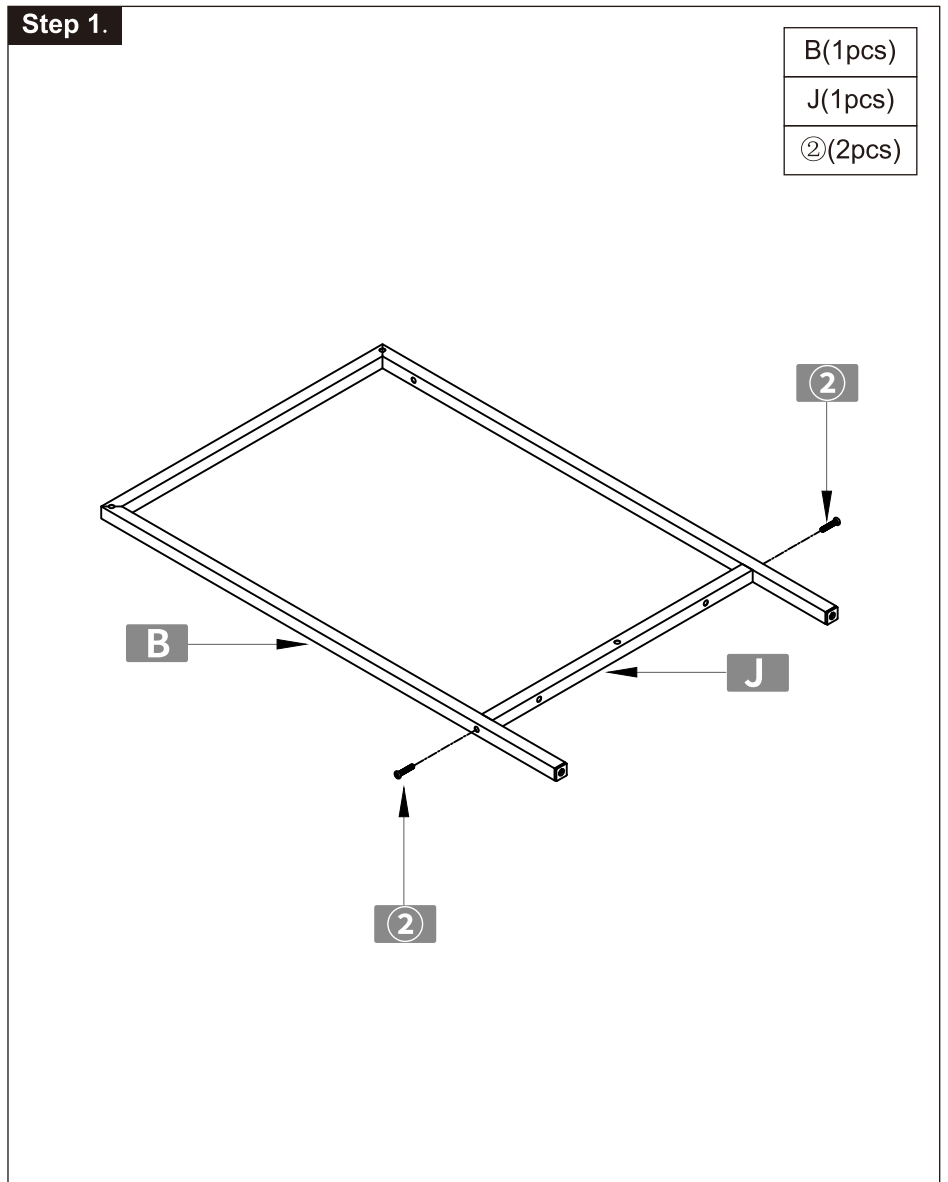
PARTS LIST

 A (1pcs)	 B (1pcs)	 C (2pcs)	 D (2pcs)
 E (1pcs)	 F (8pcs)	 G (2pcs)	 H (4pcs)
 I (2pcs)	 J (3pcs)	 K (1pcs)	 L (2pcs)
 M (2pcs)	 N (2pcs)	 O (1pcs)	 P (1pcs)
 Q (4pcs)	 ② (34pcs)	 ④ (2pcs)	 ⑥ (8pcs)
 ① (28pcs)	 ③ (8pcs)	 ⑤ (6pcs)	 ⑦ (1pcs)

ASSEMBLY STEPS



ASSEMBLY STEPS



ASSEMBLY STEPS

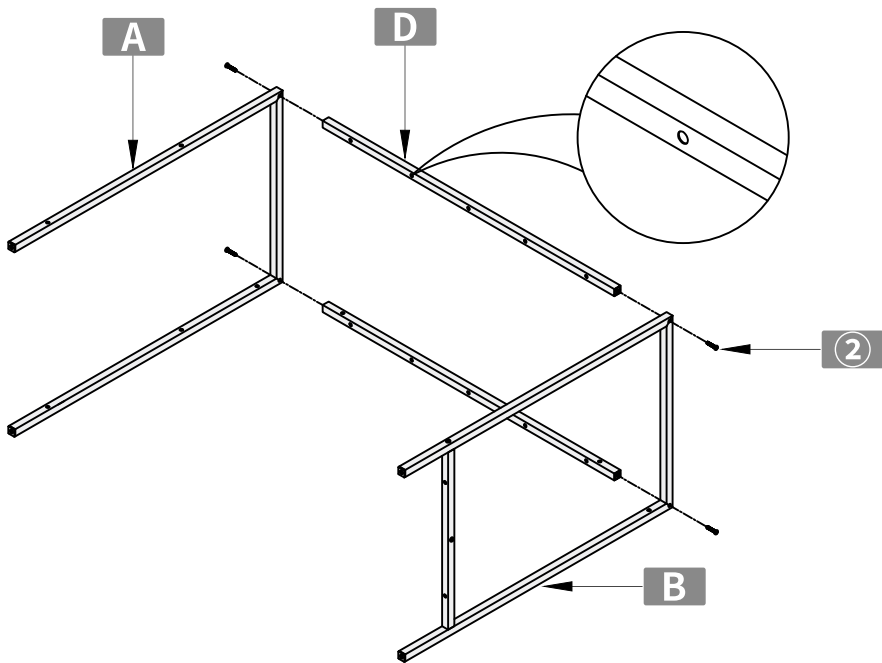
Step 2.

A(1pcs)

B(1pcs)

D(2pcs)

②(4pcs)

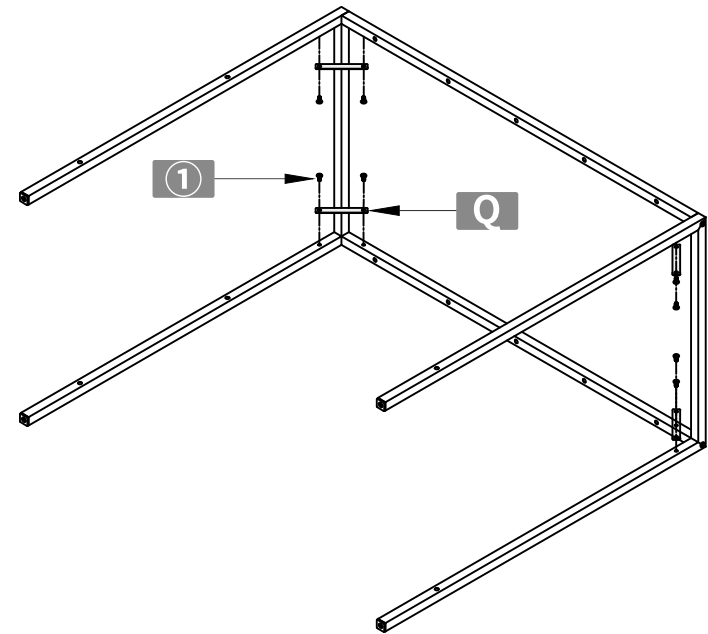


ASSEMBLY STEPS

Step 3.

Q(4pcs)

①(8pcs)



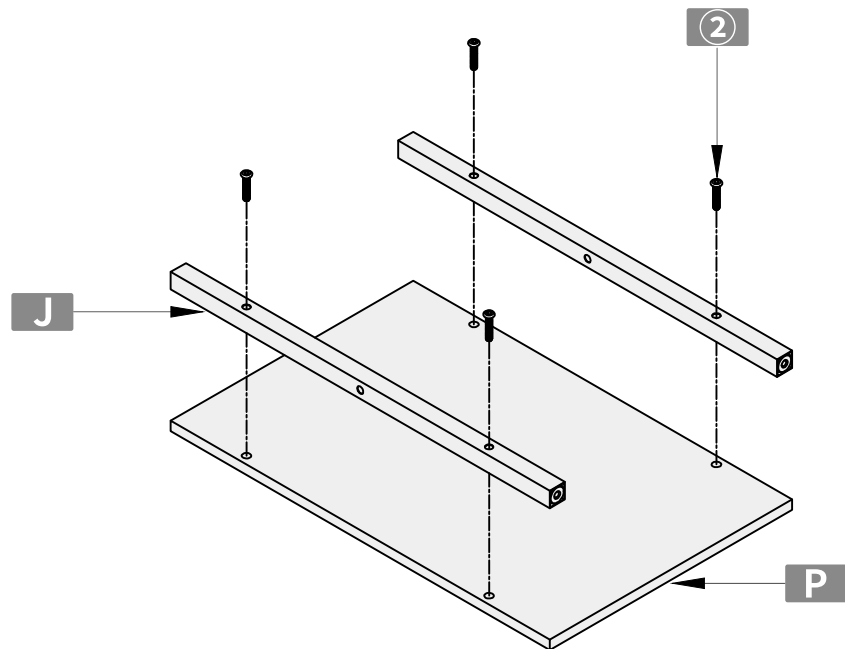
ASSEMBLY STEPS

Step 4.

J(2pcs)

P(1pcs)

②(4pcs)



ASSEMBLY STEPS

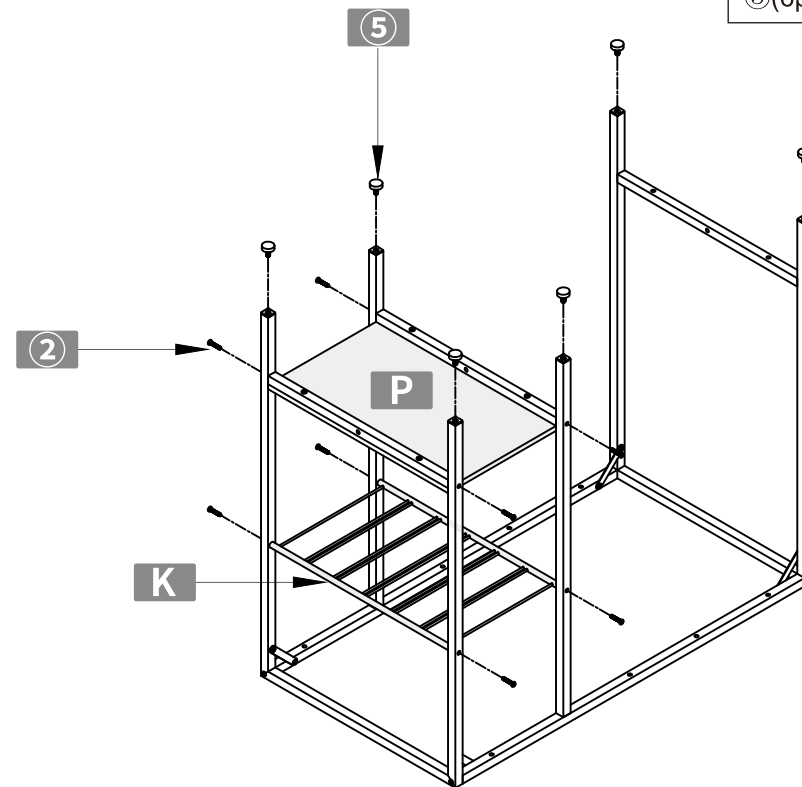
Step 5.

K(1pcs)

P(1pcs)

②(8pcs)

⑤(6pcs)

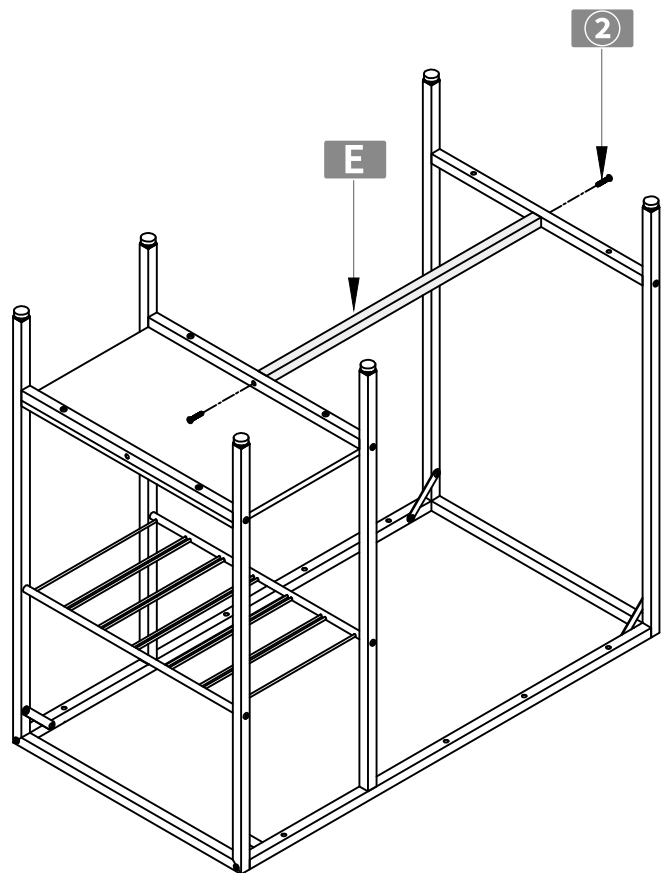


ASSEMBLY STEPS

Step 6.

E(1pcs)

②(2pcs)



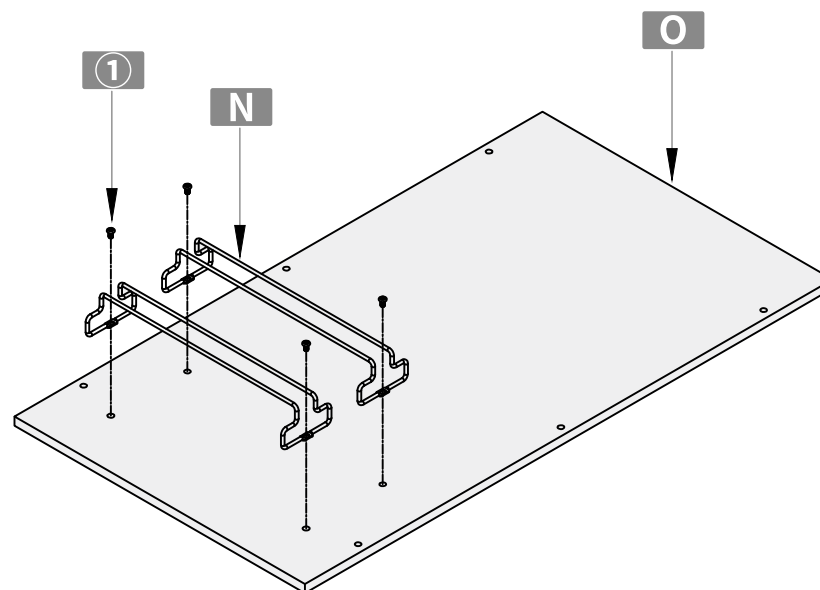
ASSEMBLY STEPS

Step 7.

N(2pcs)

O(1pcs)

①(4pcs)

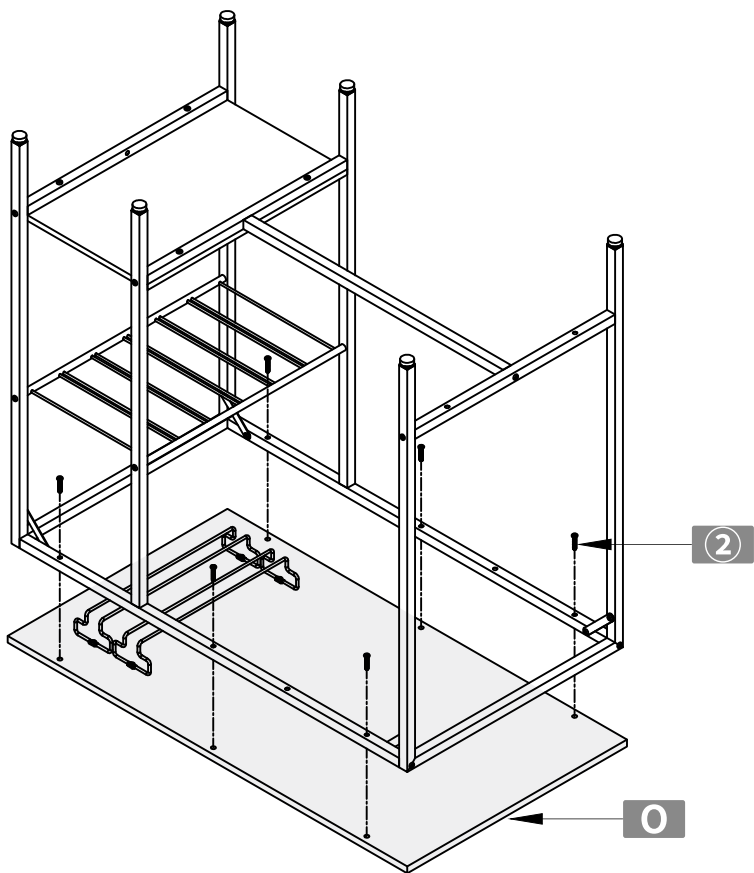


ASSEMBLY STEPS

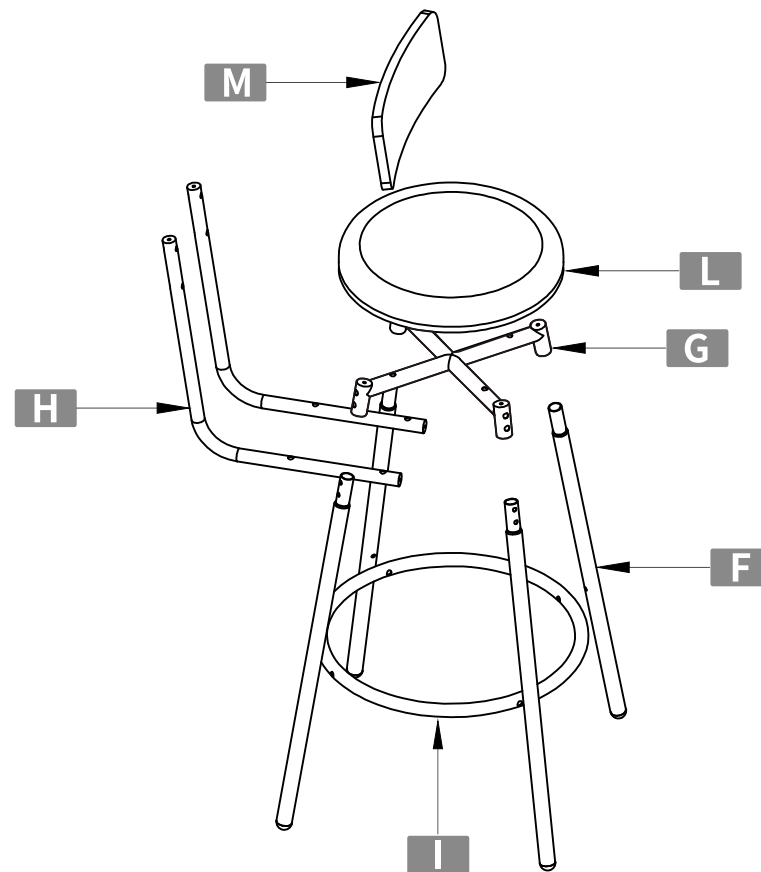
Step 8.

O(1pcs)

②(6pcs)



ASSEMBLY STEPS



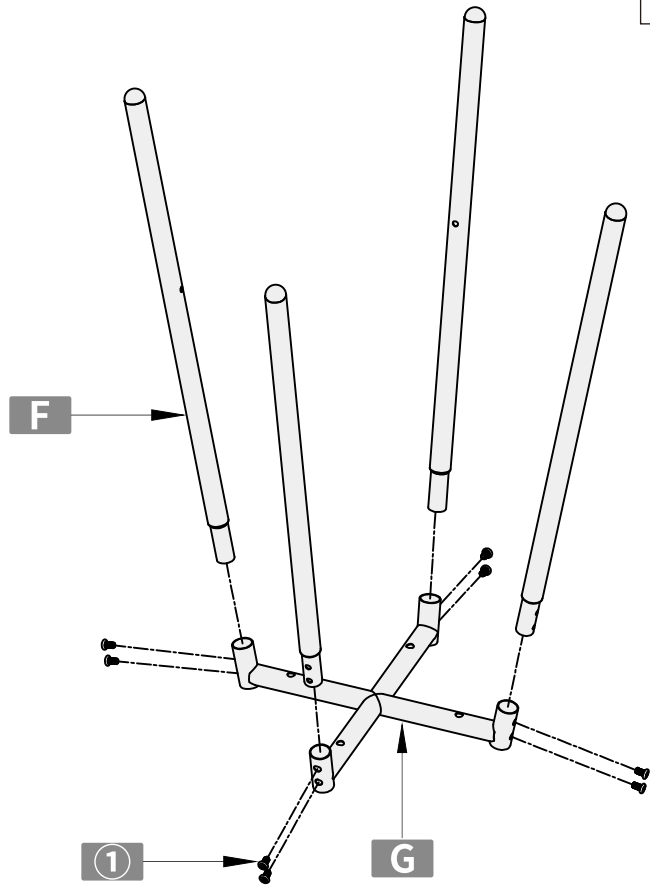
ASSEMBLY STEPS

Step 1.

F(4pcs)

G(1pcs)

①(8pcs)



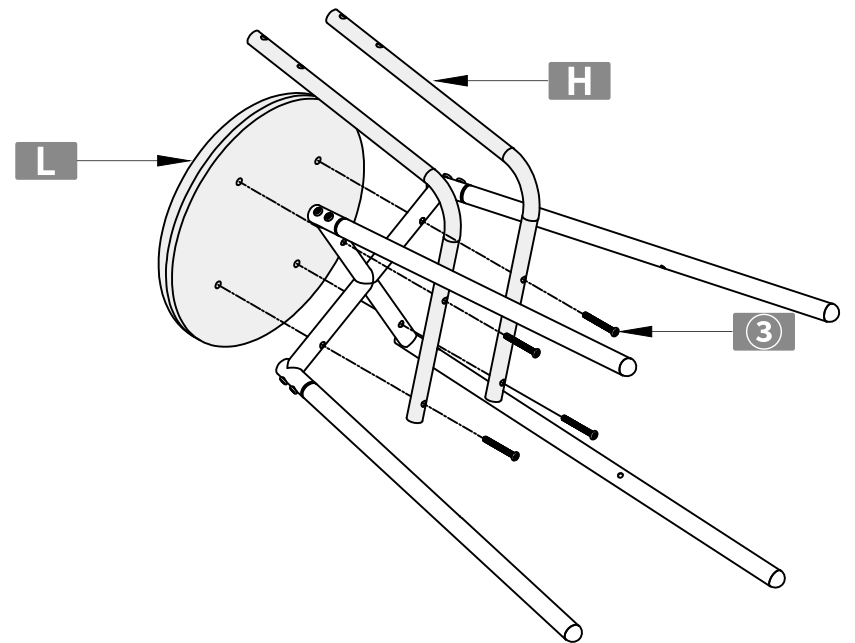
ASSEMBLY STEPS

Step 2.

H(2pcs)

L(1pcs)

③(4pcs)

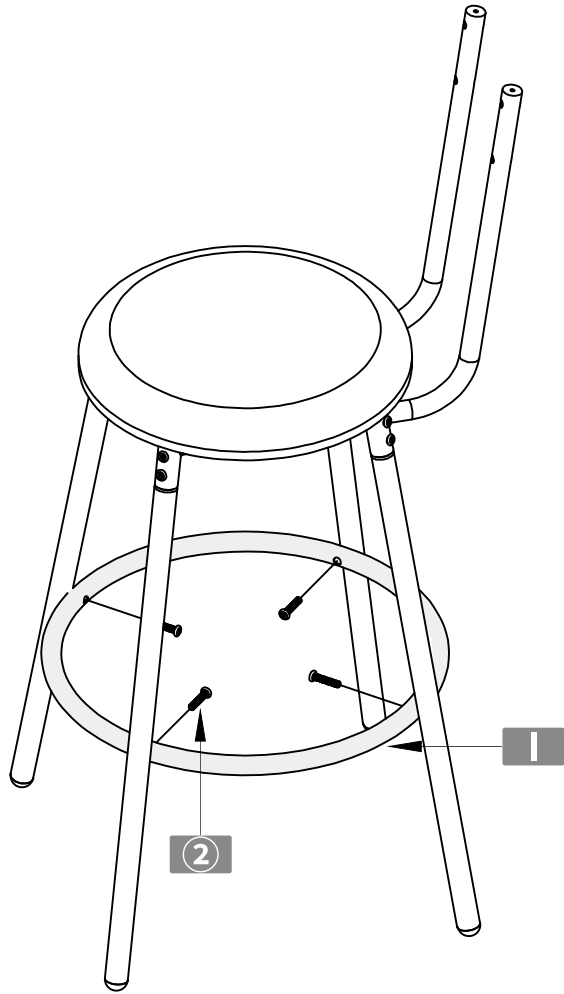


ASSEMBLY STEPS

Step 3.

②(4pcs)

I(1pcs)



ASSEMBLY STEPS

Step 4.

M(1pcs)

⑥(4pcs)

