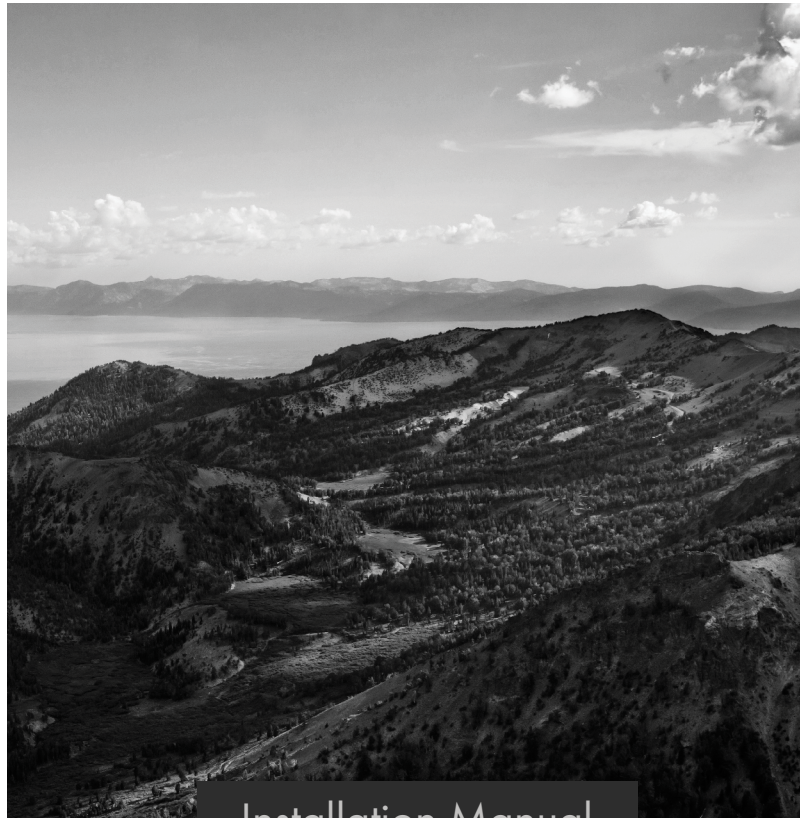


# ZLINE

ATTAINABLE LUXURY<sup>®</sup>



Installation Manual

## **MONUMENT DISHWASHERS DWS3-24 MODELS**

[zlinekitchen.com](http://zlinekitchen.com)



ZLINE Kitchen and Bath provides Attainable Luxury, where the kitchen and bath of your dreams is never out of reach. Through our unique designs and unparalleled quality, we're dedicated to providing you an elevated experience in the heart of your home. With an endless selection of features and finishes, our inspiration is your reality.

**ZLINE**  
ATTAINABLE LUXURY®



ZLINE is fueled by a passion for innovation—a relentless pursuit of bringing the highest end luxury designs and professional features into everyone’s homes.

Because we continually strive to improve our products, we may change specifications and designs without prior notice.

**Scan the QR code to view the most up-to-date version of the Installation Manual and User Manual.**

**⚠ WARNING:** This product can expose you to chemicals including nickel, which is known to the State of California to cause cancer. For more information, go to [www.P65Warnings.ca.gov](http://www.P65Warnings.ca.gov).

# TABLE OF CONTENTS

IMPORTANT SAFETY INSTRUCTIONS.....	1
BEFORE INSTALLATION.....	3
Pre-Installation Notes . . . . .	5
Drain Requirements . . . . .	8
Electrical Requirements . . . . .	11
Preparing the Hot Water Line. . . . .	16

# TABLE OF CONTENTS

INSTALLATION . . . . .	20
Step 1: Install the Decorative Door Panel . . . . .	20
Step 2: Check and Adjust Door Balance . . . . .	23
Step 3: Connect to Power . . . . .	25
Step 4: Install 90° Water Inlet Elbow . . . . .	29
Step 5: Route Drain Hose Through Cabinet . . . . .	31
Step 6: Connect the Water Supply Line . . . . .	33
Step 7: Partially Insert Dishwasher Into Cabinet . . . . .	35
Step 8: Position Dishwasher Under Countertop . . . . .	37
Step 9: Level the Dishwasher . . . . .	39
Step 10: Secure Dishwasher to Cabinet . . . . .	42
Step 11: Connect Drain Hose . . . . .	46
Step 12: Pre-Operation Installation Checklist . . . . .	49
Step 13: Operational Test . . . . .	51
Step 14: Install Toe Kick Panel . . . . .	55
Step 15: Adjust the Leveling Legs . . . . .	56
WARRANTY . . . . .	58

# IMPORTANT SAFETY INSTRUCTIONS



This symbol indicates that dangerous voltage constituting a risk of electric shock is present within your dishwasher.



This symbol indicates there are important operating and maintenance instructions in the manuals accompanying your dishwasher.

## SAFETY AND REGULATORY INFORMATION

### 1. General Installation Requirements



#### IMPORTANT:

- Read this manual completely before beginning installation.
- Observe all governing local codes and ordinances.
- Installation must comply with all applicable national, state, and local regulations.
- Leave this manual with the homeowner and local inspector.
- Installer Responsibility:
  - Installation requires basic mechanical and electrical competency.
  - Proper installation is the responsibility of the installer.
  - Product failure due to improper installation is not covered under warranty.
  - Allow 1–3 hours for installation. New installations may require additional time.
  - The dishwasher must be installed in a manner that permits future removal for service.
  - Do not install a unit that is damaged or missing parts.

# IMPORTANT SAFETY INSTRUCTIONS

## GROUNDING INSTRUCTIONS

- This appliance must be grounded. In the event of a malfunction or breakdown, grounding will reduce the risk of electric shock by providing a path of least resistance for electric current.
- The plug must be plugged into an appropriate outlet that is installed and grounded in accordance with all local codes and ordinances.



**WARNING:** Improper connection of the equipment-grounding conductor can result in a risk of electric shock. Check with a qualified electrician or service representative if you are in doubt whether the appliance is properly grounded. Do not modify the plug provided with the appliance, if it will not fit the outlet, have a proper outlet installed by a qualified electrician.

## 2. Personal Protective Equipment



### CAUTION

- To reduce the risk of injury during installation:
  - Wear protective gloves.
  - Wear safety glasses or goggles.
  - Use caution when handling sheet metal components and mounting brackets.

# BEFORE INSTALLATION

## 3. Fire and Explosion Hazard



### WARNING: BURN HAZARD

WARNING

- Do not store or use gasoline or other flammable vapors and liquids near this or any appliance.
- Hydrogen gas may form in hot water systems that have not been used for two weeks or more.
- Hydrogen gas is explosive.
- Before connecting the dishwasher, run the hot water faucet for several minutes to release accumulated gas.
- Do not smoke or use open flame during this process.

## 4. Tip-Over and Structural Safety



### WARNING: TIP OVER HAZARD

WARNING

- The dishwasher must be secured to adjacent cabinetry or countertop as described in this manual.
- Do not operate the dishwasher unless all enclosure panels are properly installed.
- Failure to properly anchor the unit may result in serious injury.

## 5. Burn Hazard



### WARNING

WARNING

- This appliance contains an internal heating element.
- Do not touch the heating element during installation verification.
- Allow components to cool before servicing.

## 6. Intended Use and Installation Scope

- This appliance is intended for residential indoor use only.
- Not approved for outdoor or commercial installations.
- Do not modify or tamper with appliance controls or components.

# BEFORE INSTALLATION

## PACKAGE CONTENTS

PARTS SUPPLIED	
<ul style="list-style-type: none"> <li>Dishwasher</li> <li>Brackets (2)</li> <li>Drain hose</li> <li>Hose clamp</li> <li>Installation kits</li> <li>Top mounting clips (2)</li> <li>Top hook mounting seats (2)</li> <li>User manual</li> <li>Installation manual</li> </ul>	<ul style="list-style-type: none"> <li>Screw A - ST4 x 20 (2)</li> <li>Screw B - ST4 x 14 (8)</li> <li>Screw C - ST3.5 x 25 (2)</li> <li>Screw D - ST3.5 x 45 (4)</li> <li>Screw E - ST3.9 x 13 (2)</li> <li>Screw F - ST4 x 12 (2)</li> </ul>
TOOLS NEEDED	
<ul style="list-style-type: none"> <li>Phillips head screwdriver</li> <li>1/4" and 5/16" nut driver</li> <li>Level</li> <li>Flashlight</li> <li>Gloves</li> <li>Bucket</li> <li>Adjustable wrench</li> <li>Carpenter's square (steel square)</li> <li>Measuring tape</li> <li>Safety glasses</li> </ul>	<p><b>New installations only</b></p> <ul style="list-style-type: none"> <li>Tubing cutter</li> <li>Hole saw set</li> <li>Drill and bits</li> </ul>
MATERIALS NEEDED (KIT PURCHASED SEPARATELY)	
<ul style="list-style-type: none"> <li>90° fitting (3/4"). The other end should be sized to fit the water supply line.</li> <li>Teflon thread seal tape</li> <li>Three wire nuts (UL listed) (two included in kit)</li> </ul>	<p><b>New installations only</b></p> <ul style="list-style-type: none"> <li>Strain relief (for electrical connections)</li> <li>Appropriately sized water line</li> <li>Electrical cable or power cord (See "Electrical Requirements" on page 11)</li> </ul>
NOT INCLUDED IN KIT	
<ul style="list-style-type: none"> <li>Hand shut-off valve</li> <li>Waste tee for house plumbing (if applicable)</li> <li>Screw-type hose clamps</li> <li>Coupler for extending drain line (if applicable)</li> <li>Air gap (if required)</li> </ul>	

**NOTE:** If you have a problem after installation, contact the qualified professional who installed the unit. You are responsible for providing adequate electrical, plumbing, and other connecting facilities. Contact ZLINE Customer Service at 1-614-777-5004 for additional assistance.

# BEFORE INSTALLATION

## PRE-INSTALLATION NOTES

### 1. Overall Installed Depth

- When installing a ZLINE factory door panel:
  - Configuration Overall Depth
    - **Unit with panel (no handle):** 25 3/16" (640 mm)
    - **Unit with panel and handle:** 27" (686 mm)
- Custom Panels: Final installed depth will vary depending on panel thickness and handle projection. Verify clearance with adjacent cabinetry and drawers before installation.

### 2. Adjustable Height Range

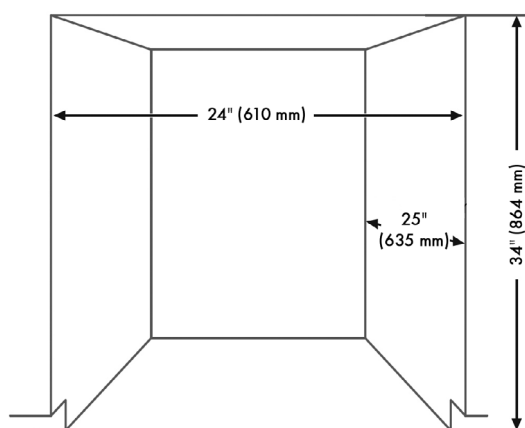
- The dishwasher is equipped with adjustable leveling legs.
- Legs provide approximately 1" (25.4 mm) of vertical adjustment.
- Minimum and maximum installation heights include full leg adjustment range.
- Ensure finished floor height is confirmed before rough positioning.

DWS3-24 DIMENSIONS	
Width	23 7/8" (606 mm)
Depth	24 1/2" (622 mm)
Depth (Including Decorative Panel)	25 3/16" (640 mm)
Depth (Including Panel and Handle)	27" (686 mm)
Height (Minimum)	34" (864 mm)
Height (Maximum)	35" (889 mm)
Cutout Width	24" (610 mm)
Cutout Depth	25" (635 mm)
Cutout Height	32 15/16" (837 mm)

# BEFORE INSTALLATION

## GENERAL CABINET REQUIREMENTS

- The dishwasher must be fully enclosed at the top and both sides within residential cabinetry.
- The enclosure must be square, level, and free of obstructions.
- The cabinet opening must support anchoring as described in this manual.
- Flooring must extend fully into the opening.



## Cabinet Opening Dimensions

- Minimum Dimension Requirements:
  - Opening Width: 24" (610 mm) nominal
  - Opening Depth (recommended): 25" (635 mm)
  - Opening Height: 34" (864 mm) minimum

## Height Adjustment

- Minimum opening height of 34" (864 mm) assumes leveling legs in the fully retracted position.
- Refer to "Adjustable Height Range" on the previous page for total vertical adjustment.

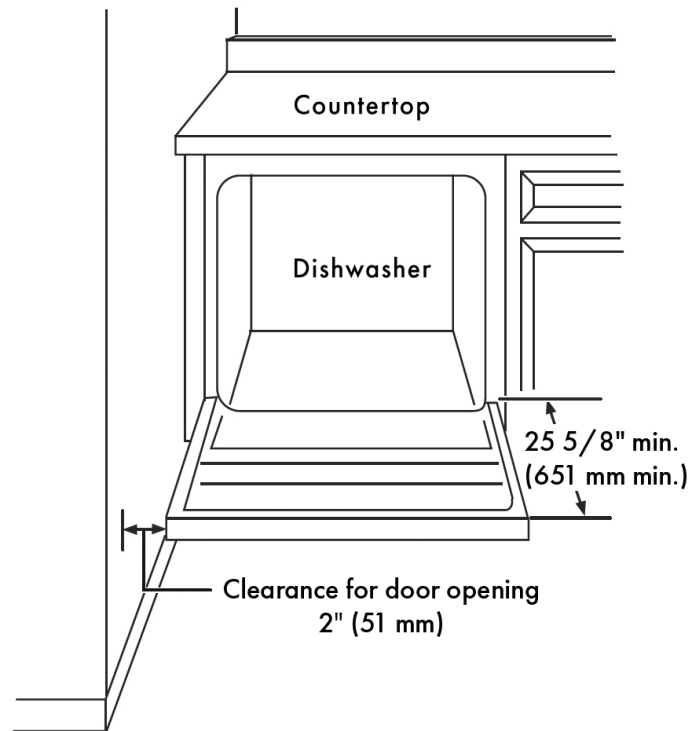
# BEFORE INSTALLATION

## Countertop Depth for Flush Panel Installation

- To allow a factory door panel to sit flush with the countertop:
  - Countertop depth must be minimum 25 3/16" (640 mm).
  - Standard 24" (610 mm) deep countertops may not allow flush alignment.
- Custom panel installations may require additional depth depending on panel thickness and handle projection.

## Corner Installations

- When installing in a corner location:
  - Provide minimum 2" (51 mm) clearance from adjacent walls or cabinetry.
  - Maintain a minimum 25 5/8" (651 mm) clear space in front of the unit to allow full door opening.
  - Failure to provide proper clearance may restrict door movement and rack extension.



# BEFORE INSTALLATION

## DRAIN REQUIREMENTS

- Installation must comply with all applicable local plumbing codes and ordinances.
- Installation must be performed by a qualified installer or licensed plumber.

### Drain Hose Length

- Maximum total drain hose length: 10' (3048 mm).
- Do not extend beyond this length.
- Excessive length may result in improper drainage or pump strain.

### Dedicated Drain Connection

- The dishwasher drain hose must not share a drain line with other appliances.
- Do not connect additional drain lines into the dishwasher drain hose.

### Connection must terminate at:

- A waste tee above the trap, or
- A garbage disposal inlet.

# BEFORE INSTALLATION

## DRAIN PREPARATION

Drain configuration must be determined before installing the dishwasher.

### Backflow Prevention (Required)

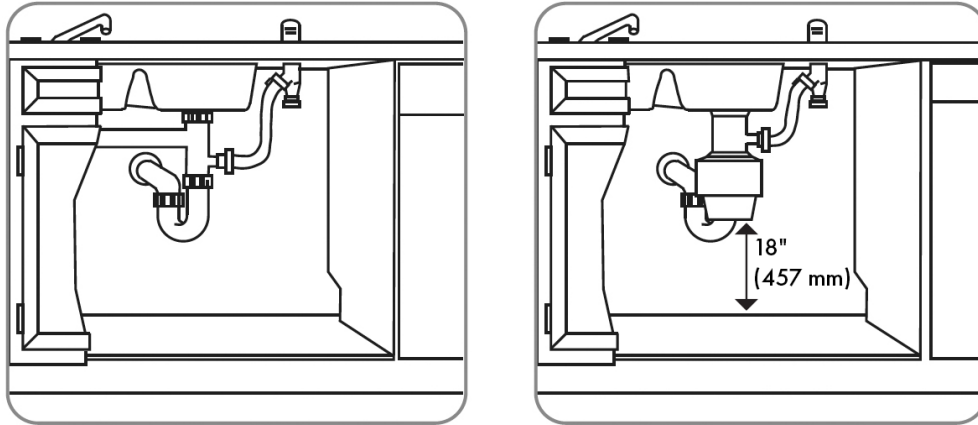


#### **WARNING: Backflow and Drain Failure Hazard**

- Either **Method 1 (Air Gap)** or **Method 2 (High Loop)** may be used, where permitted by local code.
  - **Option 1 — Air Gap (Recommended Where Required by Code)**
    - Install an approved air gap device (not supplied).
    - Required in jurisdictions where mandated by code.
    - Connect the dishwasher drain hose to:
      - An approved countertop-mounted air gap (not supplied), and
      - A waste tee or garbage disposal inlet above the trap.
    - Required when the waste tee or disposal inlet connection is less than 18" (457 mm) above the floor.
    - Air gap must be installed in accordance with manufacturer's instructions.
  - **Option 2 — High Drain Loop**
    - If local code permits a high loop in lieu of an air gap:
      - Route the drain hose to the underside of the countertop.
      - Secure the hose so the highest point is at least 32" (813 mm) above the cabinet floor.
      - Position loop as close as possible to the underside of the countertop. The installer must provide an approved fastening method to secure the drain hose to the underside of the countertop.
      - Connect to a waste tee or garbage disposal inlet above the trap.
      - Ensure hose is firmly secured to prevent sagging.
- Failure to install an approved air gap or a properly secured 32" (813 mm) high drain loop may result in:
  - Improper draining
  - Wastewater backflow
  - Odor transfer
  - Property damage

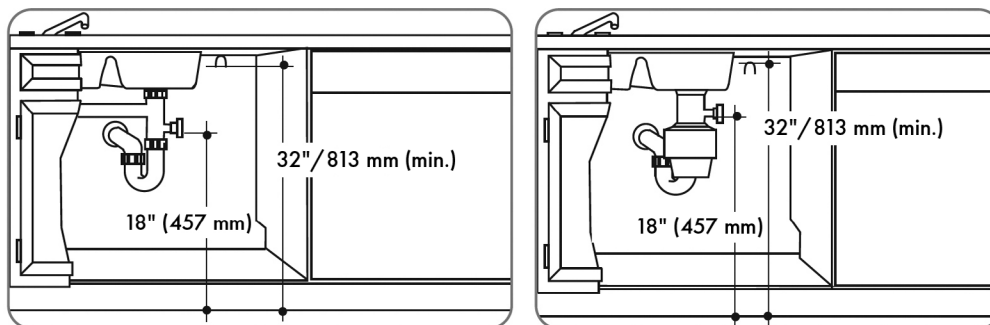
# BEFORE INSTALLATION

## Method 1 - Air gap with a waste tee or garbage disposal connection



## Method 2 - High drain with a waste tee or garbage disposal connection

You must provide a method to attach the drain hose to the underside of the countertop.



# BEFORE INSTALLATION

## ELECTRICAL REQUIREMENTS



### DANGER: Risk of Electrical Shock

- Installer Responsibility:
  - If the electrical supply does not meet the requirements listed on the following pages:
    - Do not proceed with installation.
    - Contact a licensed electrician to correct deficiencies.
  - Disconnect electrical power at the service panel before installation.
  - Verify the power supply matches the rating on the appliance data label.
  - Do not use an extension cord or adapter.
  - Do not install if the power cord or plug is damaged.
  - Care must be taken to avoid damaging the power supply cord during installation or removal.
  - If replacement of the power cord is required, it must be performed by qualified service personnel.
- Installation must comply with all applicable national and local electrical codes.
- In the absence of local codes, installation must comply with the National Electrical Code (NEC), ANSI/NFPA 70 (latest edition).

### Power Supply

- Single-phase
- Dedicated branch circuit
- The circuit must be protected by a:
  - 15-amp or 20-amp circuit breaker, or
  - Time-delay fuse
- The dishwasher must be connected to a properly grounded circuit.

# BEFORE INSTALLATION

## Wiring Requirements

- Use a 3-wire with equipment grounding conductor.
- Aluminum supply wiring must be properly prepared and connected using approved connectors.
- Do not use an extension cord or adapter.
- Supply wiring must be copper conductors rated for 167 °F (75 °C) minimum and sized according to circuit rating:
  - 14 AWG minimum for 15 A circuits
  - 12 AWG minimum for 20 A circuits

## Grounding



**DANGER: Risk of Electrical Shock**

- This appliance must be grounded.
- Failure to properly ground the dishwasher may result in serious injury or death.
- If there is doubt that the appliance is properly grounded, consult a licensed electrician.



**Disconnect power from the circuit breaker before beginning installation of this dishwasher. Do not use an extension cord or adapter plug with this appliance.**

SPECIFICATIONS	
Power supply	120 VAC, 60 Hz
Current	8.4 Amp
Power cord	Hardwired - Junction box included
Water pressure	Between 20 psi and 120 psi (138 kPa and 827 kPa)
Noise (dB)	44 dBA
Energy consumption per year (kWh)	240 kWh
Water connection	Rear left
Power connection	Front right

# BEFORE INSTALLATION

## GROUNDING AND CONNECTION METHODS

### DIRECT WIRE (HARDWIRED) INSTALLATION

The dishwasher may be permanently connected to the branch circuit using approved wiring methods.

#### Grounding Requirement

- The appliance must be connected to:
  - A grounded metal permanent wiring system, **or**
  - An equipment grounding conductor run with the circuit conductors and connected to the dishwasher grounding terminal.

#### Wiring Requirements

- Use flexible armored cable or nonmetallic sheathed copper cable with equipment grounding conductor.
- Cable must be rated for residential installation and compliant with local code.
- Aluminum wiring must be connected using approved AL/CU connectors.
- Install a UL Listed / CSA-approved strain relief at the junction box.

#### Cable Routing

- Route supply wiring as shown in "Cabinet Preparation and Wire Routing" on page 14.
- Provide a minimum of 24" (610 mm) of free conductor length from the rear wall to allow connection.

# BEFORE INSTALLATION

## POWER CORD INSTALLATION (CORD-CONNECTED MODELS ONLY)

### Receptacle Requirements

- Install a 3-prong grounding-type receptacle.
- Receptacle must be properly grounded.
- Outlet may be installed in an adjacent cabinet or wall within reach of the power cord.
- Installation must comply with NEC and local codes.

### Power Cord Requirements

- Use a UL Listed dishwasher power cord kit rated for 120 V, 15 A or 20 A applications.
- Cord must include equipment grounding conductor and grounding plug.
- Recommended cord length: 54"–64" (1372 mm–1626 mm).
- Do not modify the plug.
- Do not use extension cords or adapters.

## CABINET PREPARATION AND WIRE ROUTING

- Electrical supply routing must be completed before positioning the dishwasher in the enclosure.
- Refer to Figure 1 on the next page for approved routing zone.

### Approved Routing Area

- Electrical wiring may enter the cabinet opening from:
  - Left side
  - Right side
  - Rear wall
  - Floor
- Wiring must enter within the designated shaded area shown in Figure 1 on the next page.
- Improper routing may interfere with leveling, drain routing, or unit positioning.

### Electrical Connection Location

- The dishwasher electrical junction box is located at the front right corner of the unit (behind the toe kick area).
- Confirm the wire length allows access to this location prior to sliding unit into enclosure.

# BEFORE INSTALLATION

## Cabinet Hole Requirements

- Drill a hole with a maximum diameter of 1 1/2" (38 mm).
- Hole must be smooth and free of sharp edges.
- If cabinet material is metal, protect the cable using a listed bushing, or a rubber grommet.
- Failure to protect wiring may result in insulation damage and electrical hazard.

## Separation of Cord and Plumbing Lines

- **Direct Wire Installations:** Supply cable may pass through the same opening as the drain hose and the water supply line, provided that adequate space and protection are maintained.
- **Power Cord Installations:**
  - Power cords with factory-installed plugs must pass through a separate hole.
  - Do not route the plug through a shared plumbing opening.

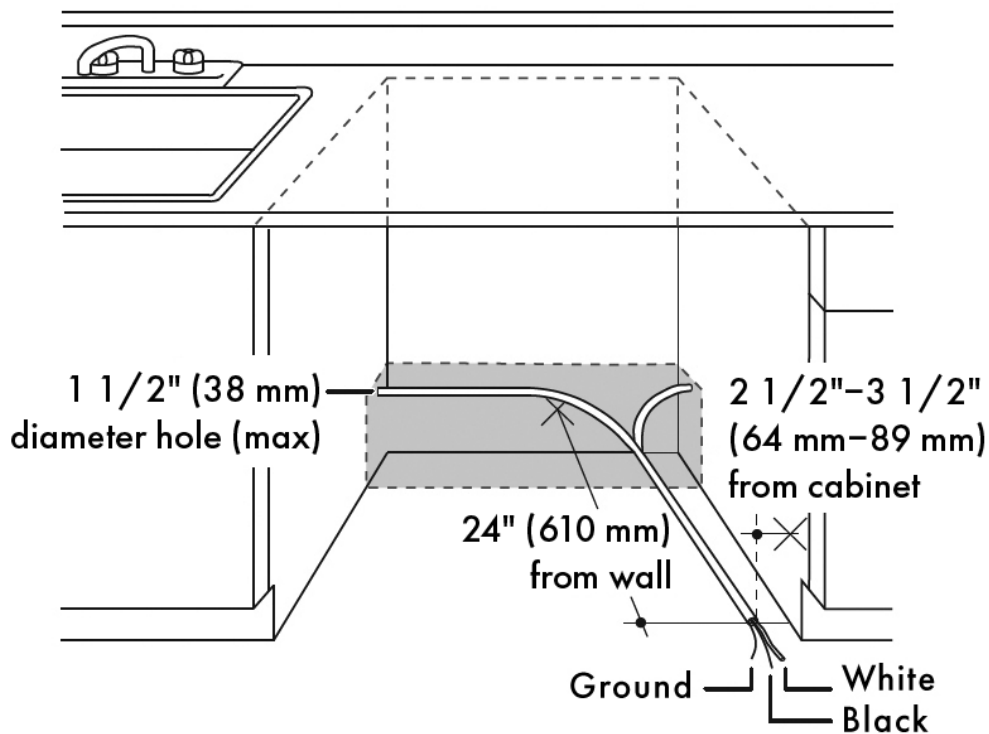


Figure 1

# BEFORE INSTALLATION

## PREPARING THE HOT WATER LINE

### Water Inlet Location

- The dishwasher water inlet connection is located at the rear left side of the unit.
- Verify supply line length allows connection after unit is partially inserted into the cabinet opening.

### Approved Routing Area

- The hot water supply line may enter the cabinet opening from:
  - Left side
  - Right side
  - Rear wall
  - Floor
- Routing must remain within the designated shaded area shown in Figure 2 on the next page.
- Improper routing may interfere with leveling legs or drain hose positioning.

### Cabinet Hole Requirements

- The supply line may pass through the same opening as:
  - Direct electrical cable (hardwired models), and
  - Drain hose.

OR

- Drill a separate hole with a maximum diameter of 1 1/2" (38 mm).
- Hole edges must be smooth and free of sharp surfaces that may damage tubing.

# BEFORE INSTALLATION

## Separation Requirement — Cord-Connected Models

- If the dishwasher is installed using a power cord with plug:
  - The hot water supply line must not pass through the same opening as the power cord.
  - Provide a separate hole for the power cord.

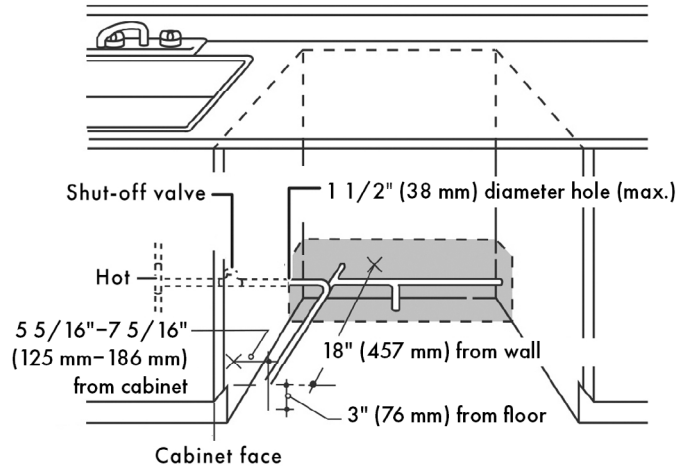


Figure 2

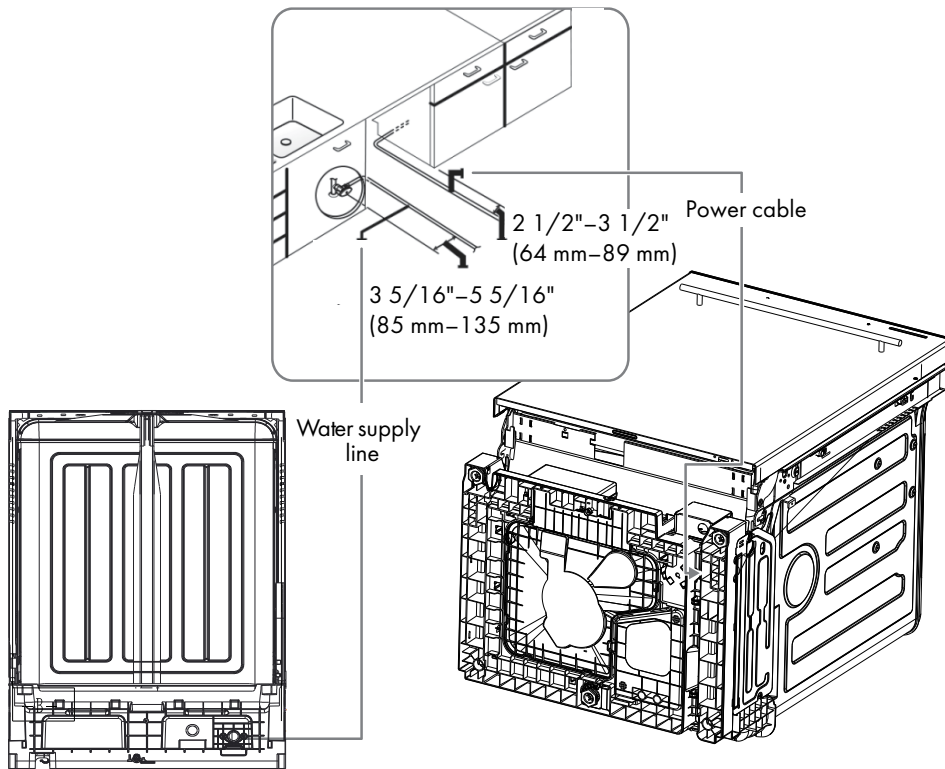


Figure 3

# BEFORE INSTALLATION

## WATER SUPPLY CONNECTION

Installation must comply with all applicable local plumbing codes.

### Shut Off Water Supply

- Before beginning installation:
  - Turn OFF the home's hot water supply.
  - Failure to shut off supply may result in water damage.

### Install Shut-Off Valve

- Install a hand-operated shut-off valve in an accessible location, typically under the sink.
- Valve must control the dishwasher supply line only.
- Many local codes require a shut-off valve.
- Valve must remain accessible after installation.

### Supply Line Specifications

- Minimum tubing size: 3/8" O.D. copper or braided stainless steel.
- Do not use plastic tubing.
- Route supply line within approved routing area (see Figure 2 on the previous page).
- Extend supply line at least 18" (457 mm) forward from the rear wall to allow connection before final positioning.

# BEFORE INSTALLATION

## Water Temperature

- Recommended incoming hot water temperature: 120 °F (49 °C) for optimal performance.
- Maximum allowable temperature: 150 °F (65 °C)
- Excessive water temperature may cause:
  - Component wear
  - Reduced detergent performance
  - Increased risk of scalding

## Water Pressure

- Water supply pressure must be:
  - **Minimum:** 20 psi (138 kPa)
  - **Maximum:** 120 psi (827 kPa)
- If pressure exceeds 120 psi, install a pressure-reducing valve.

## Flush Supply Line

- Before connecting to the dishwasher:
  - Open the shut-off valve.
  - Flush supply line into a bucket to remove debris.
  - Close valve after flushing.
- Failure to flush line may result in inlet valve obstruction.

**NOTE:** The hot water pressure must be between 20 psi and 120 psi (138 kPa and 827 kPa).

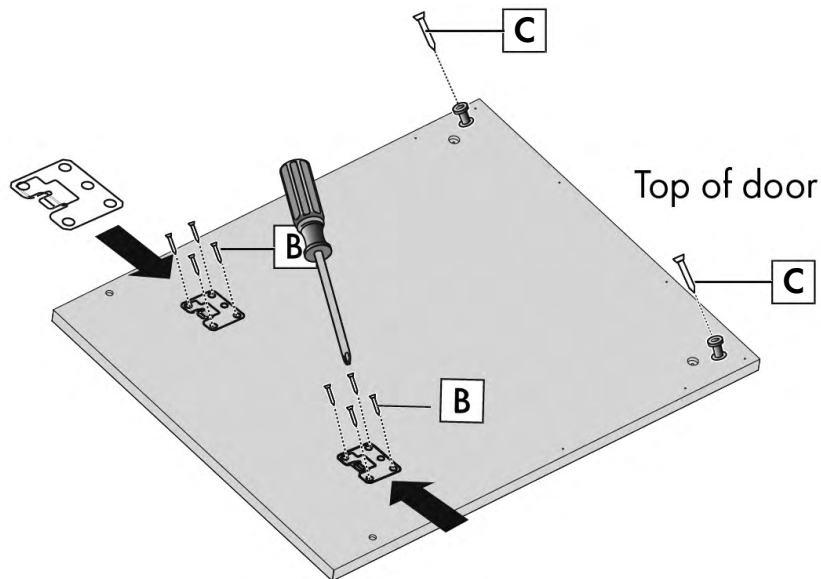
# INSTALLATION

## STEP 1: INSTALL THE DECORATIVE DOOR PANEL

YOU'LL NEED	
<ul style="list-style-type: none"><li>• Phillips head screwdriver</li><li>• 1/4" and 5/16" nut driver</li><li>• Screw B - ST4 x 14 (8)</li><li>• Screw C - ST3.5 x 25 (2)</li></ul>	<ul style="list-style-type: none"><li>• Screw D - ST3.5 x 45 (4)</li><li>• Brackets (2)</li><li>• Top hook mounting seats (2)</li></ul>

### 1. Install Mounting Hardware to Panel

- Place the decorative door panel face down on a protected surface.
- Attach the supplied mounting hooks and brackets to the rear of the panel in the specified locations.
- Ensure brackets are level and securely fastened.
- Do not overtighten screws.



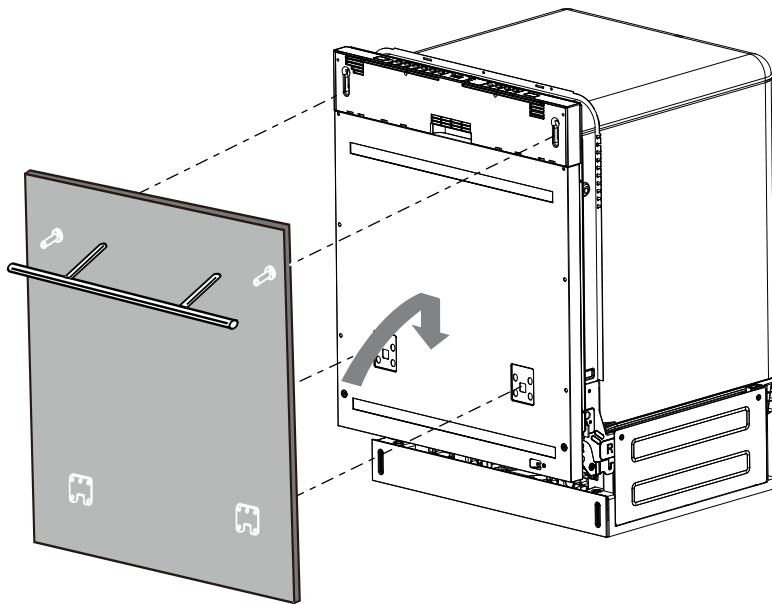
# INSTALLATION

## 2. Install Door Handle

- Install the handle to the decorative panel or outer door as specified for the model.
- Verify handle is level and securely fastened.
- Ensure fasteners do not protrude beyond panel surface.
- If installing a custom handle, confirm that the fastener length will not interfere with the dishwasher door structure.

## 3. Position Panel on Dishwasher Door

- Align the mounting hooks with the corresponding slots on the dishwasher outer door.
- Insert hooks fully into the slots to engage the panel.
- Confirm panel is properly seated.

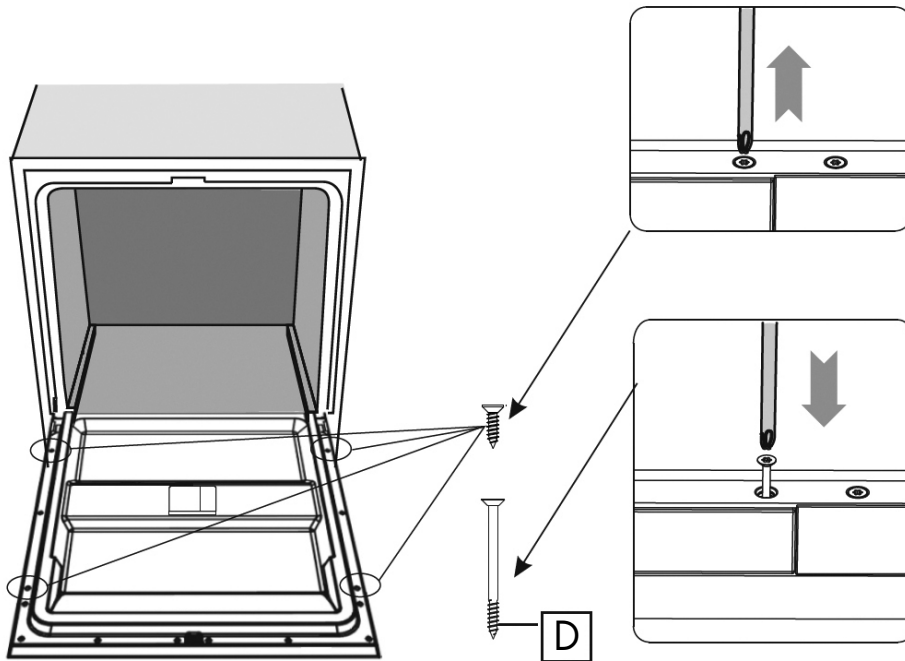


Scan here for a decorative door panel installation tutorial

# INSTALLATION

## 4. Secure Panel to Outer Door

- Open the dishwasher door carefully while supporting the panel.
- Install the mounting screws through the inner door into the decorative panel.
- Tighten screws evenly from center outward.
- Do not overtighten. Excess torque may damage the panel or distort door alignment.



WARNING

Opening the door of your dishwasher before it is installed will cause it to tip forward. Do not open the door until you are ready to install your dishwasher. If it is necessary to open the door, hold the top of the dishwasher securely with one hand and hold the door with the other hand.

# INSTALLATION

## STEP 2: CHECK AND ADJUST DOOR BALANCE

- Door balance must be adjusted after installing the decorative panel and before securing the dishwasher to cabinetry.
- Proper balance is critical for correct Auto Door function (if equipped).

### Stabilize Unit

1. Hold the top of the dishwasher firmly to prevent tipping.
2. Ensure the unit is supported during adjustment.

### Test Door Operation

1. Slowly open the door to a horizontal position.
2. Release the door carefully.

### Proper Balance Condition

- The door must:
  - Remain stable when partially open
  - Rest naturally in the partially open position
  - Not drop open abruptly
  - Not spring closed

### Adjust Spring Tension

- If adjustment is required:
  - Access the spring adjustment mechanism on both sides of the unit.
  - Move the spring pin to increase or decrease tension:
    - **Door drops open:** Increase spring tension.
    - **Door closes on its own:** Decrease spring tension.
- Adjust both sides equally.
- Uneven tension may result in door misalignment or improper operation.

# INSTALLATION

## Auto Door Performance Requirement

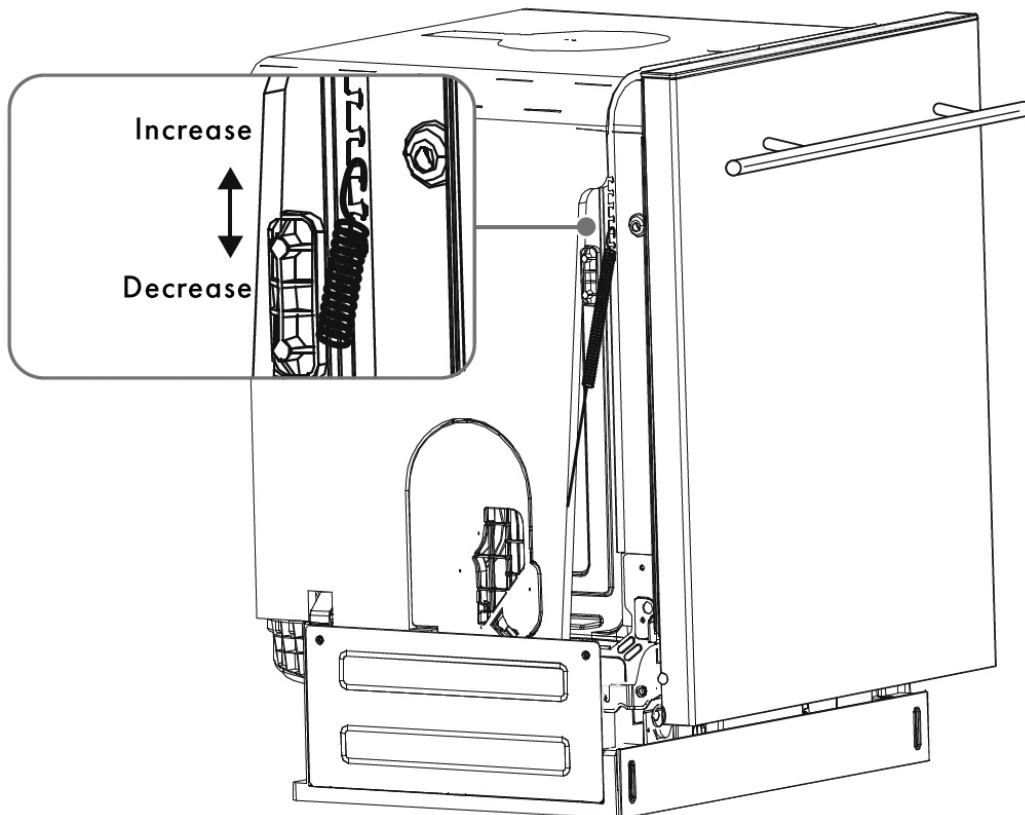
- Correct spring tension is required for proper Auto Door operation.
- **Insufficient tension:** Door may open excessively when Auto Door activates.
- **Excessive tension:** Door may not open fully during Auto Door cycle completion.
- After adjustment, verify:
  - Door rests in a controlled open position.
  - Door opens smoothly without sudden movement.
  - Auto Door activation opens the door to the intended position.



**WARNING**

## WARNING: Spring Tension Hazard

- Use caution when adjusting.
- Keep hands clear of moving components.
- Do not remove spring components.



Scan here for a door tension adjustment tutorial.

# INSTALLATION

## STEP 3: CONNECT TO POWER

### YOU'LL NEED

- |  |  |
|--|--|
| <ul style="list-style-type: none"><li>• Phillips head screwdriver</li><li>• Power cord</li></ul> | <ul style="list-style-type: none"><li>• Strain relief (for electrical connections)</li><li>• Three wire nuts (UL listed)</li></ul> |
|--|--|



### WARNING: Electrical Shock Hazard

- Turn off the electricity to the dishwasher's electrical circuit.
- Make sure that the electrical power is turned off at the source.
- If your house wiring is not 3-wire with a ground, a ground must be provided by the installer.
- If your house wiring is aluminum, be sure to use cUL/UL Listed anti-oxidant compound and aluminum-to-copper connectors.

## STEP 3A: POWER CORD KIT CONNECTION

- Disconnect power at the service panel before proceeding.
- Failure to disconnect power may result in serious injury or death.

### 1. Access Junction Box

- Remove the junction box cover located at the front right of the dishwasher.
- Verify internal dishwasher leads are positioned inside the junction box.

### 2. Install Strain Relief

- Remove lock nut from the strain relief fitting.
- Insert strain relief into the round junction box opening.
- Secure from inside the junction box using the lock nut.
- Tighten securely.

### 3. Insert Power Cord Conductors

- Feed the power cord conductors through the installed strain relief.
- Allow sufficient slack for secure connections.

# INSTALLATION

## 4. Make Electrical Connections

- Using UL/cUL Listed wire connectors of appropriate size, connect:
  - White (or ribbed) → White (Neutral)
  - Black (or smooth) → Black (Hot)
  - Green → Green (Ground)
- Ensure connectors are fully seated and conductors are secure.

## 5. Secure Cord

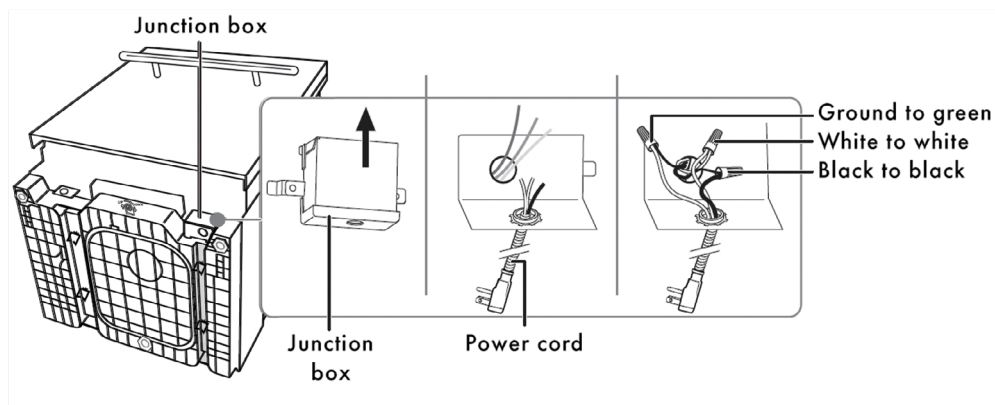
- Tighten strain relief screws to secure the cord.
- Confirm cord cannot be pulled from the junction box.
- Verify all wire connections are tight.

## 6. Reinstall Junction Box Cover

- Carefully position conductors inside the junction box.
- Reinstall cover.
- Ensure wires are not pinched beneath the cover.
- If cover does not seat properly, slightly loosen the strain relief, reposition conductors, and retighten.

7. Route the cord through the channel underneath the dishwasher. There are hooks in the channel to hold the cord in place.

**NOTE:** If you have trouble replacing the junction box cover, loosen the screws on the strain relief.



# INSTALLATION

## STEP 3B — DIRECT WIRE (HARDWIRED) CONNECTION

### YOU'LL NEED

- Phillips head screwdriver
- Power cord
- Strain relief (for electrical connections)



### WARNING: Electrical Shock Hazard

- Disconnect power at the service panel before proceeding.
  - Verify power is OFF using an appropriate tester before handling conductors.
  - Failure to disconnect power may result in serious injury or death.
- 1. Access Junction Box**
    - Remove the dishwasher junction box cover located at the front right of the unit.
    - Install an approved strain relief fitting in the junction box opening.
  - 2. Route Supply Wiring**
    - Insert the house supply conductors through the installed strain relief into the dishwasher junction box.
    - Leave sufficient conductor length for secure connections.
  - 3. Make Electrical Connections**
    - Using UL/cUL Listed wire connectors of appropriate size, connect:
      - House Ground → Dishwasher Green
      - House Neutral (White) → Dishwasher White
      - House Hot (Black) → Dishwasher Black
    - Ensure wire connectors are fully tightened and conductors are secure.

# INSTALLATION

## 4. Secure Wiring

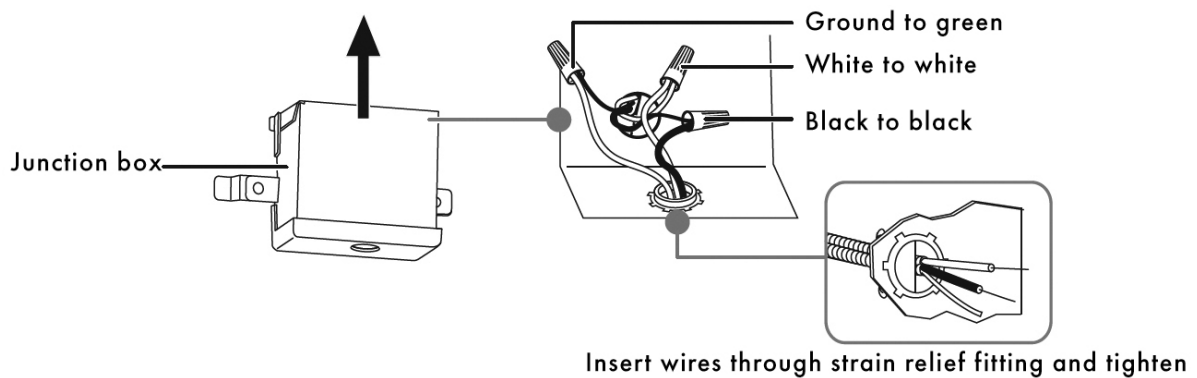
- Tighten strain relief screws to secure supply cable.
- Confirm cable cannot move within the junction box.
- Carefully position wiring inside the box to avoid pinching.

## 5. Reinstall Junction Box Cover

- Replace and secure junction box cover.
- Verify no wires are pinched beneath the cover.

## Final Verification

- Confirm grounding conductor is securely connected.
- Confirm no exposed copper is visible outside connectors.
- Do not restore power until all installation steps are complete.



# INSTALLATION

## STEP 4: INSTALL 90° WATER INLET ELBOW

### YOU'LL NEED

- Adjustable wrench
- 90° elbow
- Teflon thread seal tape



**WARNING**

### **WARNING: Water Leak and Component Damage Risk**

- Install the 90° elbow fitting before positioning the dishwasher into the cabinet opening.
- Do not overtighten the elbow fitting.
  - Overtightening may:
    - Bend the inlet valve bracket
    - Crack the valve body
    - Cause leaks

#### 1. Install Elbow Fitting

- Apply thread sealant or PTFE tape to the male threads of the 90° elbow fitting. (Do not apply sealant to compression fittings.)
- Thread the elbow onto the dishwasher water inlet valve by hand.
- Tighten using a wrench until snug.
- Do not overtighten.

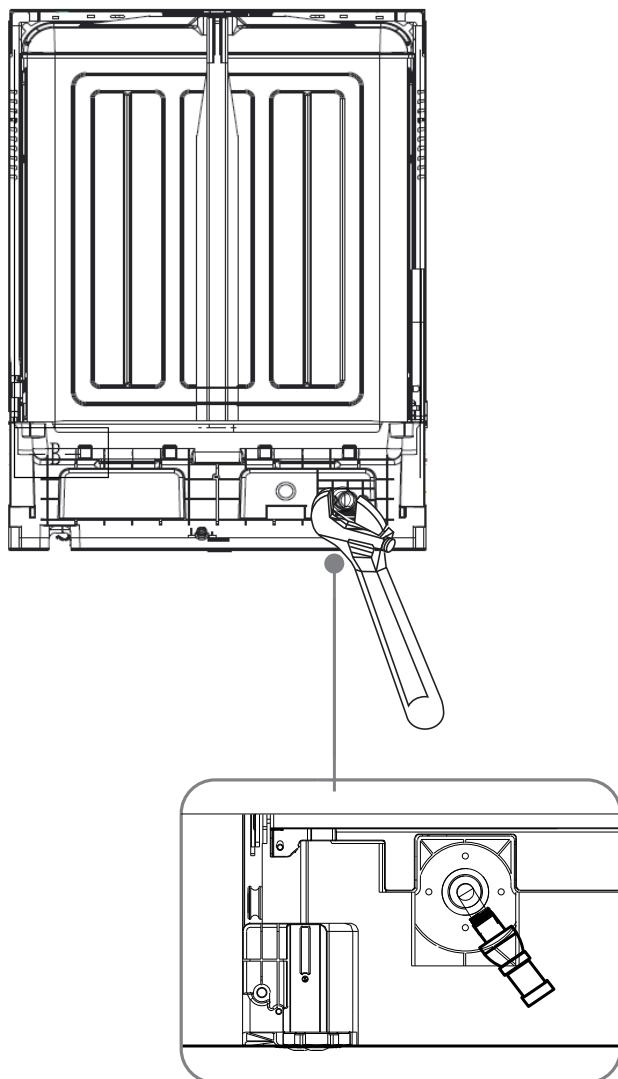
#### 2. Orient Elbow

- When the dishwasher is in the upright position, the open end of the elbow must face downward toward the floor.
- Proper orientation ensures:
  - Correct supply line routing
  - Clearance from cabinet base
  - Reduced stress on inlet connection

# INSTALLATION

## 3. Verify Alignment

- Confirm the elbow is secure.
- Confirm bracket is not bent.
- Confirm fitting is aligned for supply line connection.
- Do not proceed if valve assembly shows signs of distortion.



# INSTALLATION

## STEP 5: ROUTE DRAIN HOSE THROUGH CABINET

Complete drain routing before positioning the dishwasher fully into the enclosure.

### 1. Insert Drain Hose

- Feed the drain hose through the prepared cabinet opening.
- Ensure routing follows the approved drain configuration (Air Gap or High Loop).
- Do not kink or sharply bend the hose.

### 2. Cord Separation (If Applicable)

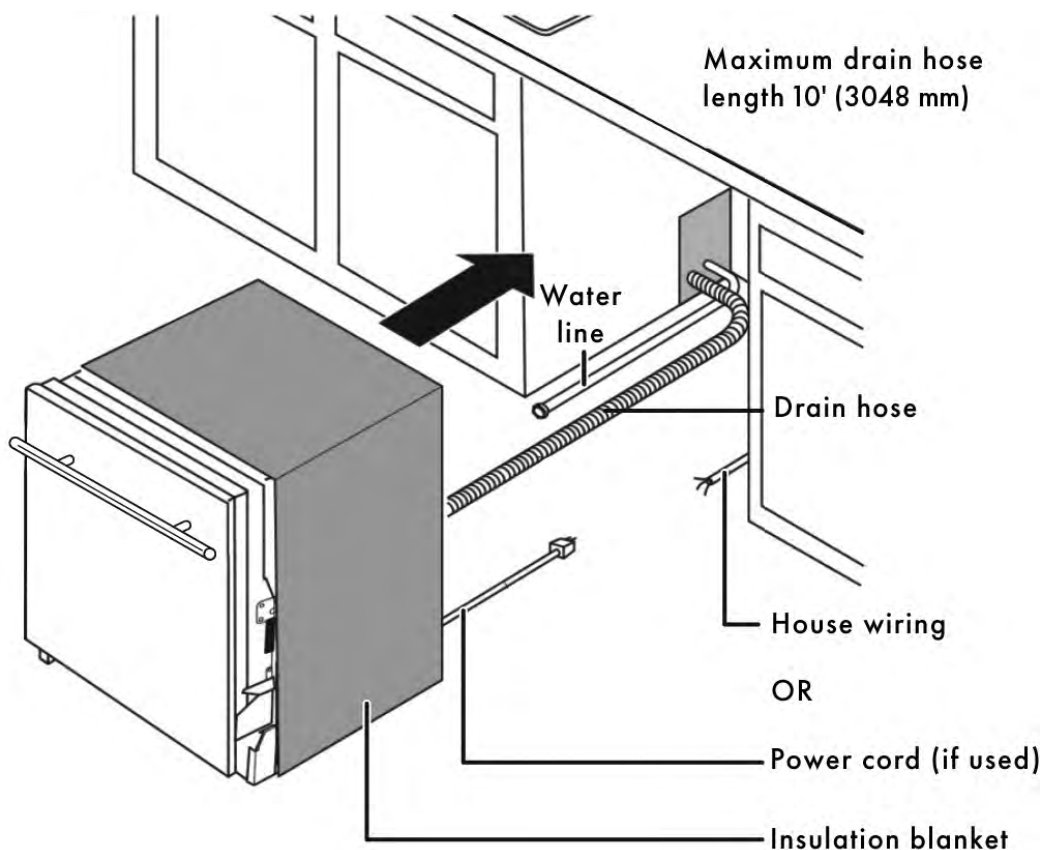
- If the dishwasher is installed using a power cord:
  - Route the power cord through a separate cabinet opening.
  - Do not share the same hole as the drain hose or water supply line.

# INSTALLATION

## 3. Position Utility Lines

- Before sliding the dishwasher into place:
  - Lay the water supply line and electrical cable flat on the cabinet floor.
  - Keep utilities clear of leveling legs and base frame.
  - Ensure no lines are trapped beneath the unit.
- Improper positioning may result in:
  - Pinched wiring
  - Restricted drainage
  - Water leaks or reduced pressure

**TIP:** Position the water line and house wiring on the floor to avoid interfering with the base of the dishwasher.



# INSTALLATION

## STEP 6: CONNECT THE WATER SUPPLY LINE

Ensure shut-off valve is OFF before connecting the supply line.

### YOU'LL NEED

- |  |   |
|--|---|
| <ul style="list-style-type: none"><li>• Adjustable wrench</li><li>• Hot water line kit</li></ul> | <ul style="list-style-type: none"><li>• Teflon thread seal tape</li></ul> |
|--|---|

### 1. Verify Elbow Installation

- Confirm 90° elbow is securely installed in the inlet valve.
- Elbow outlet must face downward when dishwasher is upright.
- Confirm thread sealant was applied to elbow threads (if NPT fitting).
- Do not apply thread sealant to compression fittings.

### 2. Prepare Supply Line

- Copper Tubing Installation
  - Slide compression nut onto tubing.
  - Slide ferrule onto tubing.
  - Insert tubing fully into the 90° elbow.
- Braided Stainless Steel Line
  - Ferrule and compression nut are not required if integrated into the hose fitting.
  - Confirm fitting type before installation.

### 3. Secure Connection

- Slide ferrule into elbow fitting.
- Thread compression nut onto elbow by hand.
- Tighten with wrench until snug.
- Do not overtighten. Overtightening may:
  - Deform ferrule
  - Damage elbow
  - Cause leaks

# INSTALLATION

## 4. Check for Line Interference

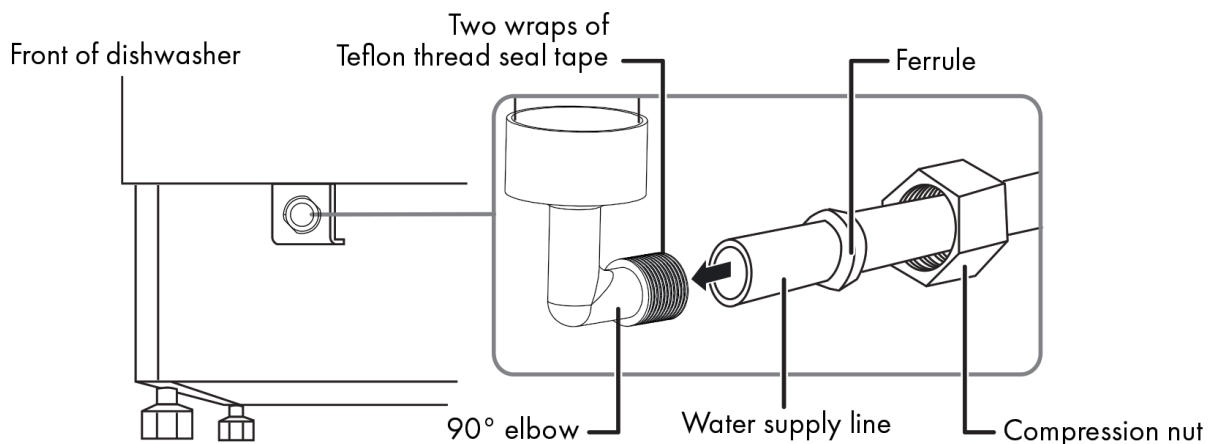


### IMPORTANT: Door Spring Clearance

- After connecting the supply line:
  - Open and close the dishwasher door fully.
  - Verify door springs do not contact:
    - Water supply line
    - Drain hose
- If interference occurs:
  - Reroute supply and drain lines.
  - Ensure lines remain within designated routing channel.
- Failure to maintain clearance may result in:
  - Hose damage
  - Water leakage
  - Impaired door function

## 5. Leak Check (Preliminary)

- Turn on shut-off valve briefly.
- Inspect elbow and compression connection for leaks.
- Turn valve OFF before proceeding with further installation.



**IMPORTANT:** Make sure that the door spring does not rub or contact the water supply line or drain hose. Test by opening and closing the door. Reroute the lines if interference occurs.

# INSTALLATION

## STEP 7: PARTIALLY INSERT DISHWASHER INTO CABINET



**CAUTION:** Do not push against the front panel with your knees.  
Damage will occur.



**CAUTION:** Panel Damage Risk

- Do not push against the front panel or door with knees or excessive force. Applying pressure to the panel may result in:
  - Cosmetic damage
  - Door misalignment
  - Structural distortion
- Always push from the sides of the cabinet frame.

### 1. Position Unit

- Align the dishwasher with the cabinet opening.
- Confirm utilities (water line, drain hose, electrical) are properly routed.
- Slowly slide the dishwasher into the opening.
- Advance the unit a few inches at a time.

# INSTALLATION

## 2. Manage Drain Hose

- As the unit moves inward, pull the drain hose through the cabinet opening under the sink.
- Prevent excess hose from bunching behind the unit.
- Stop insertion when the dishwasher is several inches from being fully seated.

## 3. Verify Utility Clearance

- Before fully inserting:
  - Confirm drain hose is not kinked or trapped beneath the unit.
  - Ensure water supply line is not pinched.
  - Verify electrical wiring is clear of moving parts.
  - Confirm no lines interfere with leveling legs or base frame.
- Correct any interference before proceeding.

Do not push against the front door panel with your knees. You will damage the front panel.



# INSTALLATION

## STEP 8: POSITION DISHWASHER UNDER COUNTERTOP

Complete this step before final leveling and anchoring.

### 1. Verify Utility and Component Clearance

- Before fully seating the unit:
  - Confirm electrical wiring is secured beneath the dishwasher.
  - Ensure wiring does not contact:
    - Door springs
    - Moving components
    - Base frame
- Insulation Blanket Check
  - Verify the tub insulation blanket is properly positioned.
  - Ensure insulation is not bunched or interfering with door springs.
  - Open and close the door to confirm smooth movement.
  - Correct any interference before proceeding.

### 2. Fully Insert Dishwasher

- Carefully push the dishwasher into the cabinet opening.
- Apply pressure to the sides of the unit — not the door panel.
- Advance slowly to avoid damaging cabinetry or countertop surfaces.

# INSTALLATION

## 3. Align Front Face

- When properly positioned:
  - The front corners of the dishwasher door should be flush with adjacent cabinet doors.
  - Side gaps should be even.
- Door must open freely without contacting cabinetry.
- Adjust positioning as necessary before leveling.



IMPORTANT

### IMPORTANT: Rear Leg Access

- Once the dishwasher is fully inserted:
  - Rear leveling legs will not be accessible.
  - Ensure rear height is properly pre-adjusted before final positioning.

**NOTE:** You will not have access to the back leveling legs once the dishwasher is put in place.

Do not push against the front door panel with your knees. You will damage the front panel.



Reposition the dishwasher by grasping both sides with your hands.

# INSTALLATION

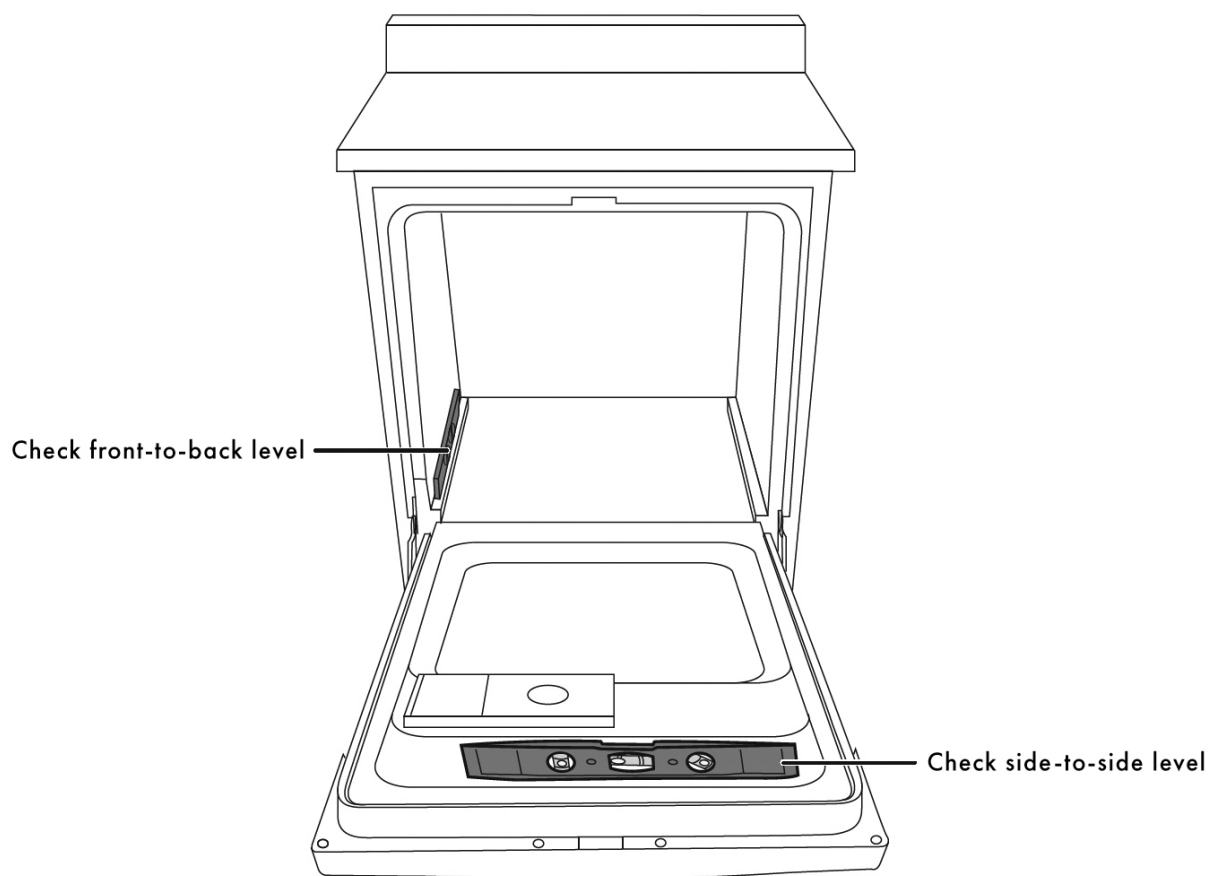
## STEP 9: LEVEL THE DISHWASHER

### YOU'LL NEED

- Adjustable wrench
- Level
- Phillips head screwdriver



**IMPORTANT:** The dishwasher must be level for proper dish rack operation and wash performance.



# INSTALLATION



## IMPORTANT: Proper Leveling Required

- The dishwasher must be level for:
  - Proper rack movement
  - Correct door alignment
  - Optimal wash performance
  - Proper drainage
- Improper leveling may result in poor cleaning or water retention.

### 1. Check Side-to-Side Level

- Open the dishwasher door.
- Place a level across the top edge of the door.
- Adjust the front leveling legs until the unit is level from left to right.

### 2. Check Front-to-Back Level

- Place a level along the rack track inside the tub.
- Adjust leveling legs until the unit is level from front to back.
- The dishwasher should not tilt forward or backward.

### 3. Verify Rack Operation

- Pull the lower rack out halfway.
- Rack should remain stationary.
- Rack should not roll forward or back.
- If rack moves in either direction, re-adjust leveling legs.

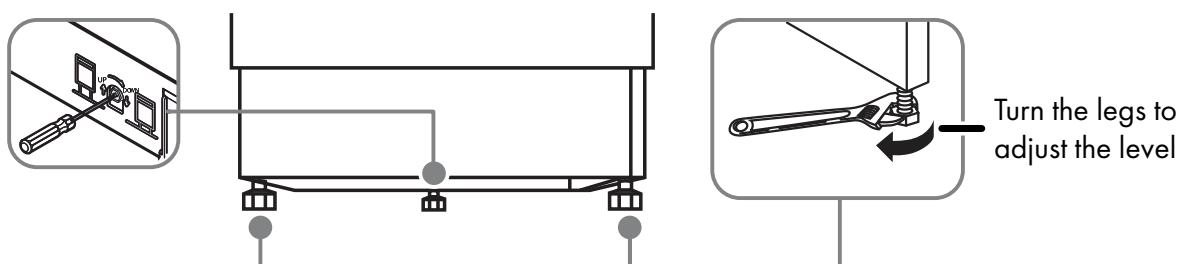
# INSTALLATION

## 4. Adjust Rear Leg (If Required)

- If significant height correction is required:
  - Carefully pull the dishwasher partially out of the cabinet.
  - Adjust rear leveling leg as needed.
  - Reinsert unit and recheck level.

## 5. Confirm Door Alignment

- Close the door slowly.
- Verify door does not contact the tub frame.
- If door contacts tub or appears uneven, adjust leveling legs accordingly.
- Door must close smoothly without resistance.



# INSTALLATION

## STEP 10: SECURE DISHWASHER TO CABINET

- The dishwasher must be secured to prevent tipping and movement during operation.
- Confirm unit is fully leveled and properly positioned before securing.
- Choose one of the following installation methods:
  - **Method 1 — Top Mount (Under Countertop Attachment).** Use this method when:
    - Countertop is wood or drillable material.
    - Clearance between control panel and countertop allows screw installation.
    - Gap between control panel and countertop is 7/16" (11 mm) or greater.
  - **Method 2 — Side Mount (Cabinet Side Attachment).** Use this method when:
    - Countertop is granite, marble, quartz, or other non-drillable material.
    - Gap between control panel and countertop is less than 7/16" (11 mm).

### Method 1 - Top Mount Installation

YOU'LL NEED	
• Phillips head screwdriver	• Top mounting clips (2)
• Screw F - ST4 x 12 (2)	



#### 1. Install Mounting Clips

- Install top-mount brackets into the slots at the top front of the dishwasher.
- If required, remove break-off tab to match cabinet depth.
- Install brackets before fully securing unit.

#### 2. Align Dishwasher

- Position unit so tub flange is flush with the front face of the cabinet frame.
- Ensure dishwasher is centered in opening.
- Confirm door opens and closes without interference.

# INSTALLATION

## 3. Secure to Countertop

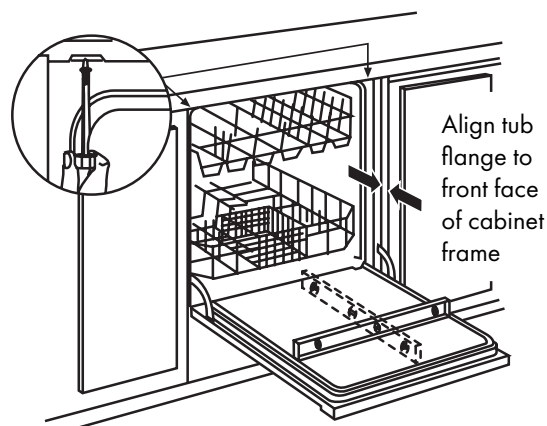
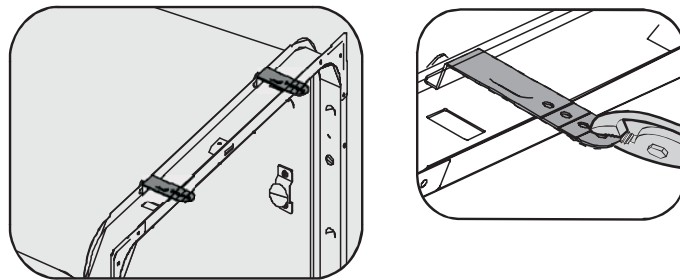
- Drive the two supplied Phillips-head screws upward through the brackets into the underside of the countertop.
- Drive screws straight and flush.
- Do not overtighten.



IMPORTANT

### IMPORTANT: Screw Clearance

- Protruding screw heads may:
  - Scratch the control panel
  - Interfere with door closing
- If insufficient clearance exists for proper screw installation, use Method 2.



# INSTALLATION

## Method 2 - Side Mount Installation

Use when countertop cannot be drilled.

YOU'LL NEED
<ul style="list-style-type: none"><li>• Phillips head screwdriver</li><li>• Screw A - ST4 x 20 (2)</li></ul>



### 1. Access Side Mounting Points

- Open dishwasher door.
- Remove tub caps located on both sides of the inner tub.

### 2. Secure to Cabinet Sides

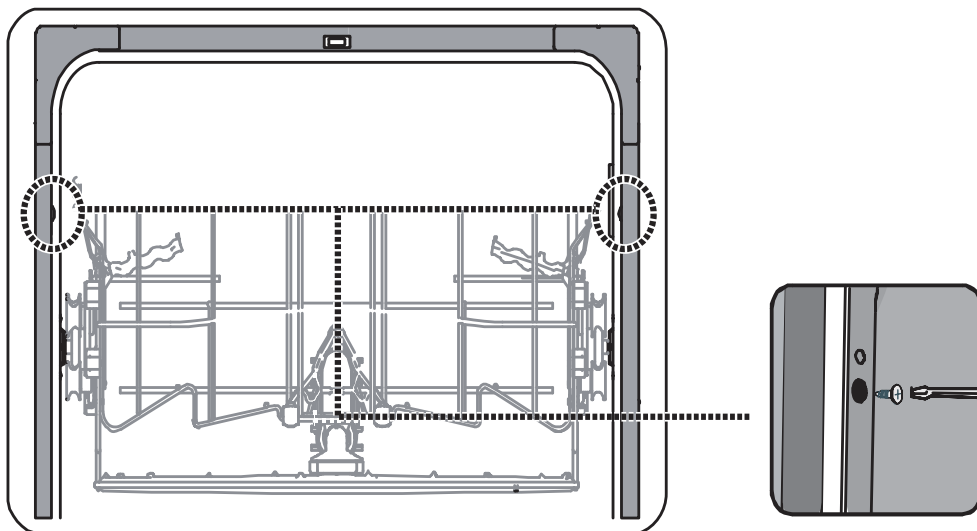
- Drive screws through the dishwasher side mounting holes into the cabinet side walls.
- Ensure screws are straight and flush.
- Reinstall tub caps after securing.

# INSTALLATION

## Final Interference Check

- After securing the unit:
  - Open and close the door fully.
  - Confirm door springs do not contact:
    - Water supply line
    - Drain hose
    - Electrical wiring
  - Reroute lines if interference occurs.

Failure to maintain clearance may result in hose damage or impaired door operation.



**IMPORTANT:** Make sure that the door spring does not rub or contact the water supply line or drain hose. Test by opening and closing the door. Reroute the lines if interference occurs.

# INSTALLATION

## STEP 11: CONNECT DRAIN HOSE

YOU'LL NEED	
<ul style="list-style-type: none"><li>Adjustable wrench</li><li>Waterline kit</li></ul>	<ul style="list-style-type: none"><li>Teflon thread seal tape</li></ul>






**IMPORTANT:** Installation must comply with all applicable local plumbing codes.

Refer to "Drain Requirements" on page 8 for approved configuration (Air Gap or High Loop).

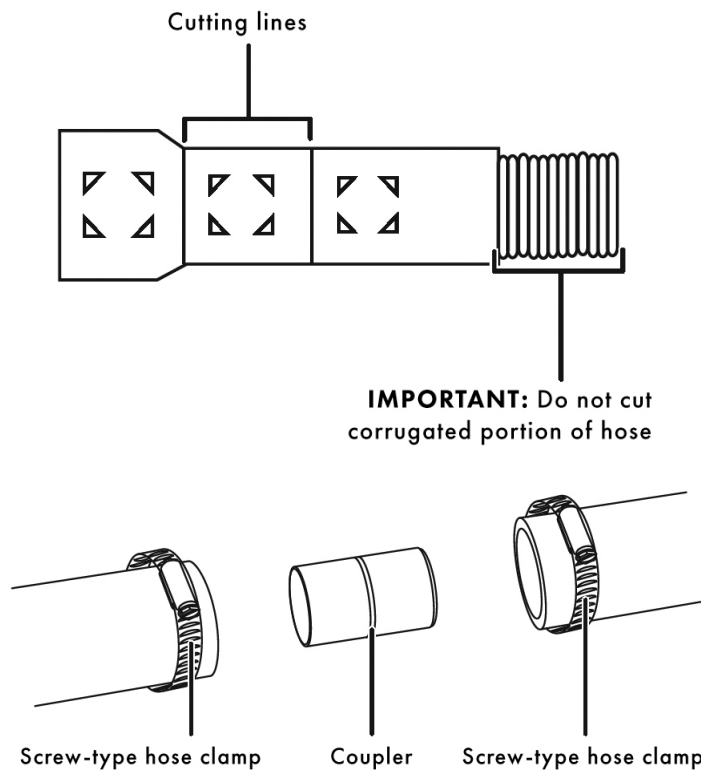
### 1. Prepare Drain Hose End

- The molded drain hose end is designed to fit:
  - 5/8" (16 mm) connections
  - 1" (25 mm) connections
- If necessary:
  - Cut the hose end at the marked line to match the required connection size.
  - Cut squarely and remove burrs.
- Do not reduce hose diameter below required connection size.

# INSTALLATION

## 2. Extend Drain Hose (If Required)

- If additional length is necessary:
  - Maximum total drain hose length: 10' (3048 mm).
  - You may extend the factory hose by up to 42" (1067 mm).
- Use 5/8" or 7/8" (16 mm or 22 mm) inside diameter hose.
- Join hoses using a proper coupler.
- Secure both ends with screw-type hose clamps.
- Do not exceed total allowable length.
- Excessive length may result in improper draining.



## 3. Garbage Disposal Connection (If Applicable)

- If connecting to a new garbage disposal:
  - Remove the disposal inlet knockout plug before attaching the drain hose.
  - Failure to remove plug will prevent dishwasher from draining.
  - Verify knockout removal before proceeding.

## 4. Verify Drain Configuration

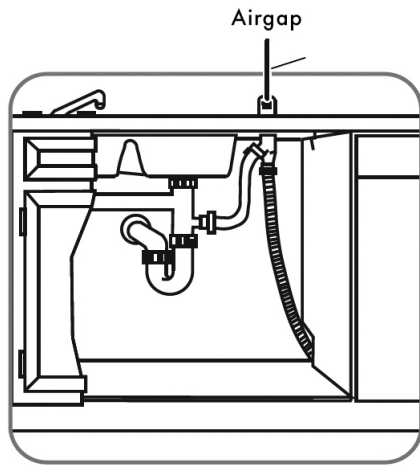
- Confirm installation meets one of the following:
  - Air gap installation (if required by code), or
  - High drain loop secured at minimum 32" (813 mm) above cabinet floor.

# INSTALLATION

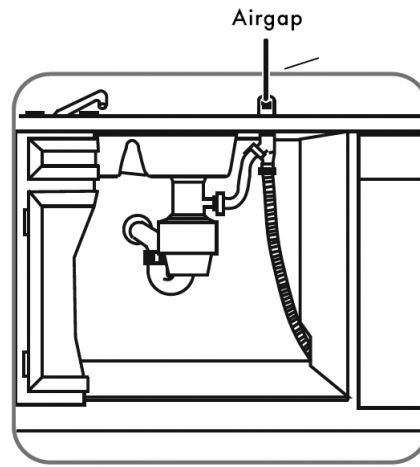
## 5. Final Hose Inspection

- Ensure hose is not kinked.
- Confirm hose does not contact door springs.
- Verify hose is properly supported.
- Confirm no low points that may trap standing water.

### Method 1 - Air gap to a waste tee or garbage disposal.

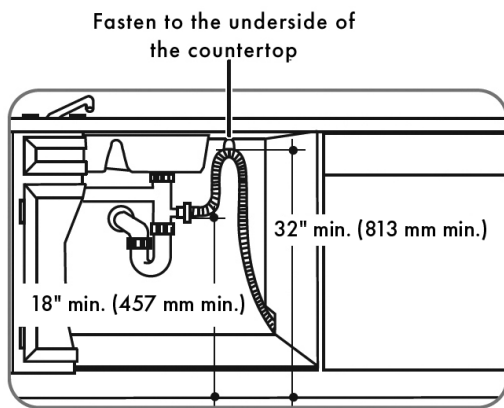


Waste tee installation

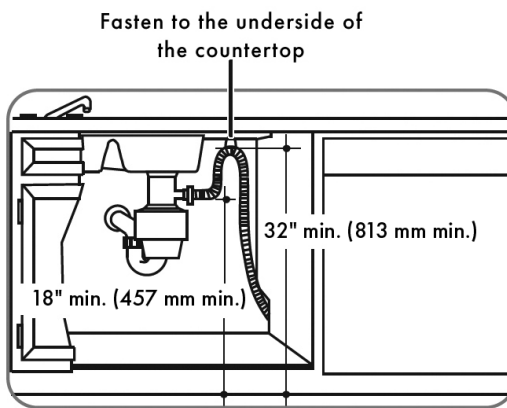


Garbage disposal installation

### Method 2 - High drain loop to a waste tee or garbage disposal.

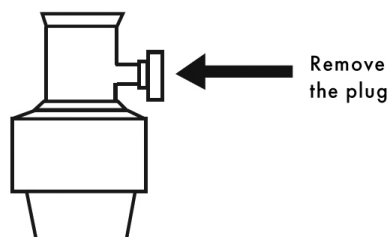


Waste tee installation



Garbage disposal installation

6. If connecting the drain line to a garbage disposal, make sure that the drain plug has been removed. Your dishwasher will not drain if the plug is left in place.



# INSTALLATION

## STEP 12: PRE-OPERATION INSTALLATION CHECKLIST

- Complete this checklist before restoring power.
- Failure to verify installation may result in performance issues or service calls not covered under warranty.

YOU'LL NEED	
• Phillips head screwdriver	• Coupler for extending drain line
• Screw-type hose clamps	(if applicable)

### 1. Safety and Packaging

- Confirm electrical power is OFF.
- Remove all foam, tape, and packaging materials from the interior and exterior.
- Remove protective film from control panel and door (if present).

### 2. Mechanical Verification

- Door Operation
  - Open and close door fully.
  - Confirm smooth movement.
  - Door must not:
    - Drop open
    - Spring closed
    - Contact tub frame
    - Contact adjacent cabinetry
  - Correct alignment or spring tension if necessary.
- Rack Operation
  - Pull lower rack out halfway.
  - Rack must remain stationary.
  - If rack rolls forward or backward, re-level dishwasher.
- Level and Alignment
  - Confirm dishwasher is level side-to-side and front-to-back.
  - Confirm front face is flush with adjacent cabinetry.

# INSTALLATION

## 3. Utility Inspection

- Confirm electrical wiring is secure and not pinched.
- Ensure wiring does not contact door springs.
- Confirm water supply line is not kinked.
- Confirm drain hose is not kinked and properly secured.
- Ensure hoses and wiring do not contact motor or frame components.

## 4. Water Supply Verification

- Turn on sink hot water faucet.
- Verify incoming water temperature is between: 120 °F–150 °F (49 °C–65 °C)
- Minimum recommended temperature: 120 °F (49 °C) for proper wash performance.

## 5. Prime Circulation Pump

- Before first startup:
  - Pour approximately 1/2 gallon (2 liters) of water into the bottom of the tub.
  - This lubricates the pump seal during initial operation.

## 6. Restore Water Supply

- Turn on dishwasher shut-off valve.
- Inspect all connections for leaks.
- Tighten fittings if necessary.

## 7. Ready for Operational Test

- After completing all checks:
  - Restore electrical power at service panel.
  - Proceed to "Step 14: Operational Test" on the next page.

# INSTALLATION

## STEP 13: OPERATIONAL TEST

Perform this test after completing all installation steps and pre-operation checks:

### 1. Restore Power

- Turn ON the circuit breaker, or
- Plug the power cord into the grounded receptacle.

### 2. Start Test Cycle

- Select the Rinse or shortest available cycle.
- Press START.
- Close the door.

### 3. Verify Water Fill

- Within the first minute:
  - Confirm water enters the dishwasher.
  - Listen for inlet valve activation.
  - Confirm wash motor begins operation after fill.
- If water does not enter:
  - Verify water supply valve is open.
  - Confirm electrical power is active.

# INSTALLATION

## 4. Inspect for Leaks (Fill and Wash Phase)

- 90° elbow connection
- Water supply connection
- Drain hose connection
- Junction box area
- Base of unit
- If leaks are detected:
  - Turn OFF electrical power
  - Shut OFF water supply
  - Correct connection
  - Repeat test from Step 1

## 5. Inspect Door Seal

- During wash operation:
  - Check for leaks around the door perimeter.
  - Confirm door is not contacting adjacent cabinetry.
  - Verify even gasket compression.
- If leakage occurs, re-level or reposition the unit.

# INSTALLATION

## 6. Verify Drain Operation

- When the dishwasher enters drain phase:
  - Confirm pump-out sound.
  - Inspect drain hose and sink connection for leaks.
  - Verify water flows freely into disposal or waste tee.
- After drain cycle completes:
  - Open door carefully.
  - Confirm no standing water remains in the tub floor.



**IMPORTANT**

### **IMPORTANT: Standing Water Clarification:**

- A small amount of clean water may remain in the sump area beneath the filter. This is normal and required to:
  - Maintain pump seal lubrication
  - Prevent gasket drying
- There should be no visible standing water across the bottom of the tub. If water remains in the tub:
  - Confirm garbage disposal knockout plug has been removed.
  - Verify air gap is not restricted.
  - Check drain hose for kinks.
  - Confirm high loop height is correct.

# INSTALLATION

## 7. Repeat Cycle Verification

- Run a second short fill and drain cycle.
- Reinspect for:
  - Water leaks
  - Proper drainage
  - Abnormal vibration or noise

## 8. Verify Auto Door Function

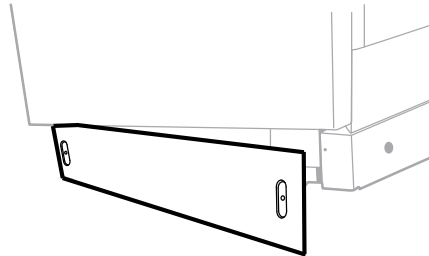
- At cycle completion:
  - Confirm Auto Door activates.
  - Door should open smoothly and rest in a controlled position.
  - Door must not drop excessively or fail to open.
- If improper operation occurs, recheck spring tension (Step 2).

**NOTE:** When checking for water, there should be no standing water in the bottom of the tub, but there will be water in the sump system underneath the filter. This is normal and is to keep the seals and system from drying out and causing leaks. The water that is left in the sump is clean water that has not been used to clean dishes.

# INSTALLATION

## STEP 14: INSTALL TOE KICK PANEL

Install the toe kick after completing operational testing and verifying no leaks.



### YOU'LL NEED

- Phillips head screwdriver
- Screw E - ST3.9 x 13 (2)

#### 1. Position Toe Kick

- Place the toe kick panel against the dishwasher legs.
- Align the mounting slots with the toe kick bracket screw holes.
- Allow the toe kick to rest flush against the finished floor.
- Ensure panel is centered and level.

#### 2. Secure Toe Kick

- Install the provided mounting screws.
- Tighten screws until secure.
- Do not overtighten.
- Overtightening may distort the panel or strip mounting holes.

#### 3. Orientation Verification

- Confirm toe kick is installed in the correct direction.
- Ensure proper alignment with the junction box access area.
- Do not block service access or ventilation openings.

#### 4. Final Inspection

- Confirm toe kick does not interfere with door movement.
- Ensure no wiring or hoses are visible below the unit.
- Verify panel is secure and stable.

# INSTALLATION

## STEP 15: ADJUST THE LEVELING LEGS

Adjust leveling legs prior to fully positioning the dishwasher into the cabinet opening.



### IMPORTANT: Handling Requirement

- Do not lay the dishwasher on its back unless specifically required for model access.
  - Tilting the unit may result in:
    - Internal component damage
    - Door misalignment
    - Cosmetic damage
- If the unit must be tilted for limited access, ensure leveling legs are fully retracted before doing so.

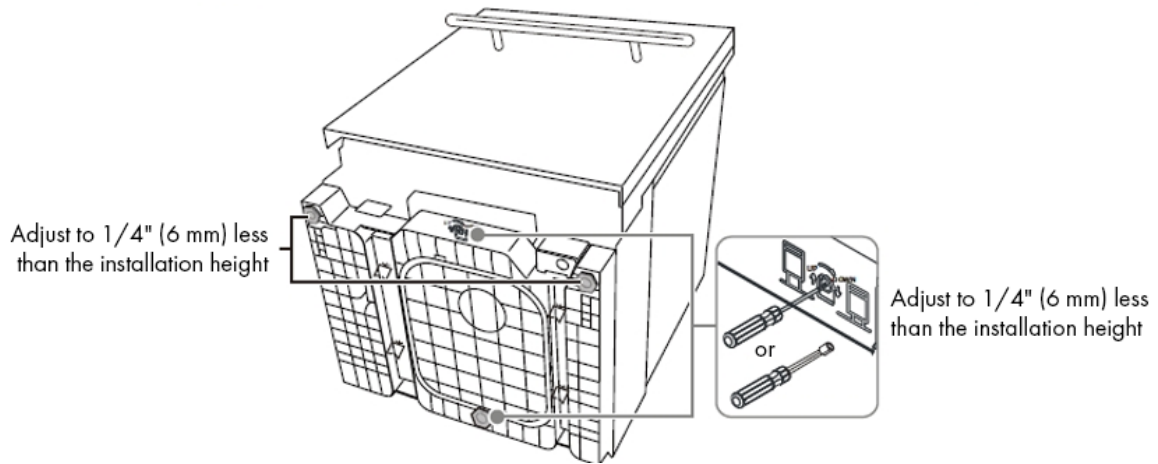
### Determine Required Installation Height

- Measure the cabinet opening height from finished floor to underside of countertop.
- Measure the dishwasher height with leveling legs fully retracted.

# INSTALLATION

## Pre-Adjust Leveling Legs

- Extend leveling legs to approximately 1/4" (6 mm) less than the measured cabinet opening height.
- Total leg adjustment range: approximately 1" (25.4 mm).
- Pre-adjusting slightly below final height allows fine-tuning after unit is positioned.
- Verify Leg Position:
  - Ensure all legs are evenly extended
  - Confirm legs are stable and threaded properly
  - Do not extend beyond adjustment limit
  - Improper adjustment may result in:
    - Door misalignment
    - Vibration
    - Incomplete door sealing



## INSTALLATION COMPLETE

Installation is complete when:

- No leaks are present.
- Unit is level and secure.
- Door alignment is correct.
- Drainage is verified.
- Auto Door functions properly.
- No abnormal noise is observed.
- Installation and user manuals have been given to the homeowner.

# WARRANTY

## COVERAGE

ZLINE Kitchen and Bath ("ZLINE") dishwashers have a one year parts and service warranty.

ZLINE warranty periods begin from the original date of product delivery and solely cover the original purchaser of the product, delivered new and in its original carton. The limited warranty covers all parts and labor for necessary repairs if any part of the product, or the product itself, proves to be defective in materials or workmanship. The product must be deemed serviceable via troubleshooting with the ZLINE Customer Experience team. All service on ZLINE products under warranty must be performed by ZLINE-approved and ZLINE-certified service providers unless otherwise specified by ZLINE. Service will be provided during normal business hours. Products must be unobstructed and accessible to the service provider at the time of service. ZLINE's liability is limited to the original purchase price of the product. Additional injuries, losses, damages, or other inconveniences caused by product malfunction or defects in materials are not covered under the terms of this warranty.

## TERMS

ZLINE warranties apply only to the original purchaser of a ZLINE product installed for normal residential use. This is defined as a single-family, residential dwelling in a non-commercial setting. Any warranty claim stemming from installation, operation, or any other use within a commercial setting is not covered under this limited warranty. Commercial settings include, but are not limited to: schools, churches, hotels, restaurants, vacation rentals such as Airbnb, daycare centers, private clubs, fire stations, common areas in multi-family dwellings, nursing homes, food service locations, and institutional food service locations such as hospitals or correctional facilities.

This warranty is non-transferable and will not under any circumstance be extended based on the date of installation — the warranty period takes effect from the date of delivery and only covers the original purchaser. The warranty applies only to products installed in the contiguous United States and the District of Columbia. Failure to secure certified warranty service per these terms will result in a forfeiture of the remaining warranty.

# WARRANTY

Out-of-pocket payments will not be reimbursed unless prior approval is received from ZLINE and/or ZLINE-certified service contract partners. Unapproved out-of-pocket payments for service will not be reimbursed. All warranty procedures must be followed to maintain warranty coverage.

If a product qualifies within the service window provided under these warranty terms, and ZLINE is unable to repair the product or a defective part of the product after a reasonable number of attempts, ZLINE reserves the right to offer to replace the defective part or the product or provide the original purchaser a full refund of the purchase price of the product (not including installation, removal, or other charges that were not included in the original purchase price).

The original purchaser of the product must provide the original proof of purchase, including the purchase date, when filing a claim to obtain replacement parts, service, or refunds. Additionally, the original purchaser of the product must provide the serial number of the product when filing a claim to obtain replacement parts, service, or refunds.

This warranty shall not apply to any ZLINE product in which the original factory serial number has been removed, altered, or cannot be readily determined for any reason. Further, ZLINE is not responsible for damage resulting from, but not limited to: shipment, delivery, or improper installation; negligence or improper maintenance, misuse, or abuse of the product; unauthorized alteration, modification, or tampering with the product; accident, fire, floods, pest infestations, pandemics, natural disasters, or any other unpreventable or unexplained acts of nature, commonly referred to as "acts of God"; flare-up fires or damages caused by improper electric supply, electrical line current, voltage, or power surges; and service to correct installation not in accordance with the instructions contained in ZLINE's product manuals and/or with local government codes.

This warranty does not apply to aesthetic damage, scratches, or natural wear caused by normal use; second-hand, open box products, or products purchased from an unauthorized retailer; and damages or issues stemming from alteration or tampering with the dishwasher, including, but not limited to, painting any portion of the product's interior or exterior and altering or otherwise manipulating the power cord.

# WARRANTY

In the event service is dispatched, and it is discovered that the reported issue is not covered under warranty based on the disclaimers above, the customer will be responsible for all service fees. Failure to pay these fees will result in the forfeiture of remaining warranty coverage.

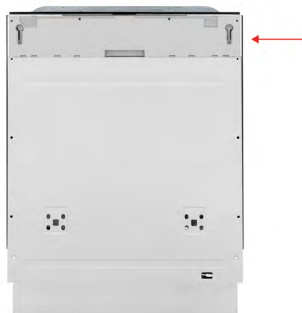
Information contained within ZLINE's installation and user manuals, in addition to product information included on ZLINE's website and all related digital listings, do not cover every possible condition and situation that may occur during the installation or operation of ZLINE products.

ZLINE reserves the right to make changes at any time to its products when considered safe, necessary, and useful. Always check the ZLINE website for the most up-to-date version of its product manuals: [www.zlinekitchen.com/pages/manuals](http://www.zlinekitchen.com/pages/manuals).

Do not install or operate any ZLINE product if it has missing or broken parts or if it arrives damaged due to shipping. If ZLINE products arrive damaged, contact ZLINE Customer Experience at 1-614-777-5004 for help. Failure to report a damaged appliance prior to installation or operation may void the warranty.

ZLINE disclaims responsibility for damage or injury caused by improper installation or use of any of its products. ZLINE is under no obligation, by law or otherwise, to provide concessions, including repairs, prorates, rebates, discounts, or replacements, once the warranty has expired.

## SERIAL NUMBER LOCATION



<b>ZLINE</b> AFFILIATE COMPANY	<b>DISHWASHER</b> MODEL DV122 7.4 SN: DV122 2AM2 00300001 CN.01	<b>Energy Star</b> Certified Appliance Energy Efficient 10 Year Limited Warranty	<b>Energy Verified</b> Appliance EnergiQue Verifié
<b>VOLTAGE</b> 120 VAC	<b>FREQUENCY</b> 60 Hz	<b>PHASE</b> Single	<b>Made in China</b>
<b>TOTAL AMPS</b> 8.4 A	<b>MOYOR</b> 1.0 A	<b>HEATER</b> 7.4 A	<b>UL LISTED</b>

Please write down the model number and serial number of your appliance. Both numbers are located on the rating tag located on the right-hand side of the inner door of the dishwasher. The tag is visible when the dishwasher door is open. Do not remove permanently affixed labels, warnings, or plates from the product. This will void the warranty. You may also consider attaching your receipt or proof of purchase to this manual.

# WARRANTY



## SERVICE

For warranty service, please contact our Customer Service team at 1-614-777-5004 or visit [www.zlinekitchen.com/contact](http://www.zlinekitchen.com/contact) to utilize our online Customer Experience Portal.



Scan the QR code to view the most up-to-date version of our Installation Manual and User Manual.



Need to purchase a part or accessory for your ZLINE product? Visit [www.zlineparts.com](http://www.zlineparts.com), ZLINE's official parts distribution partner.

This page left intentionally blank.

4.1.0

[zlinekitchen.com](http://zlinekitchen.com)

1-614-777-5004

[contact@zlinekitchen.com](mailto:contact@zlinekitchen.com)

**ZLINE**  
ATTAINABLE LUXURY®