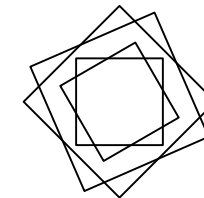
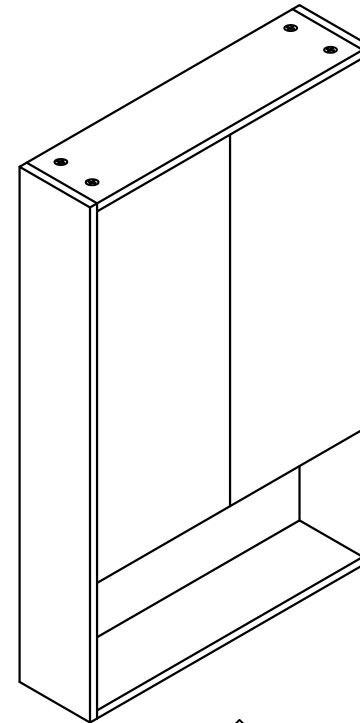


THANKS FOR WATCHING

Your feedback is invaluable to us and we would love to hear about your experience. Please take the time to leave us a review.



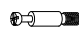


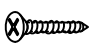








Thank you for shopping with us!

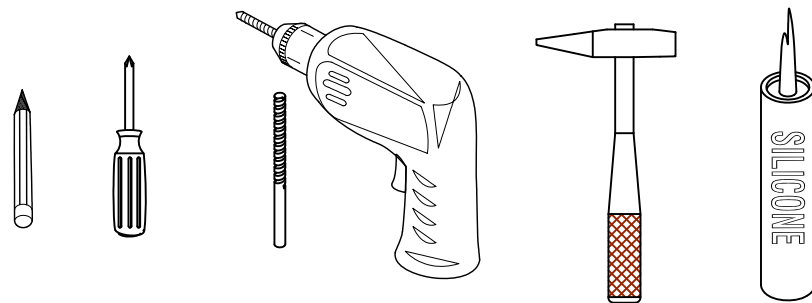
We encourage you to take a few minutes to go through this booklet. It contains important information on installation and care tips to keep your furniture looking as good as new.

Item NO.:BV B120 B24A

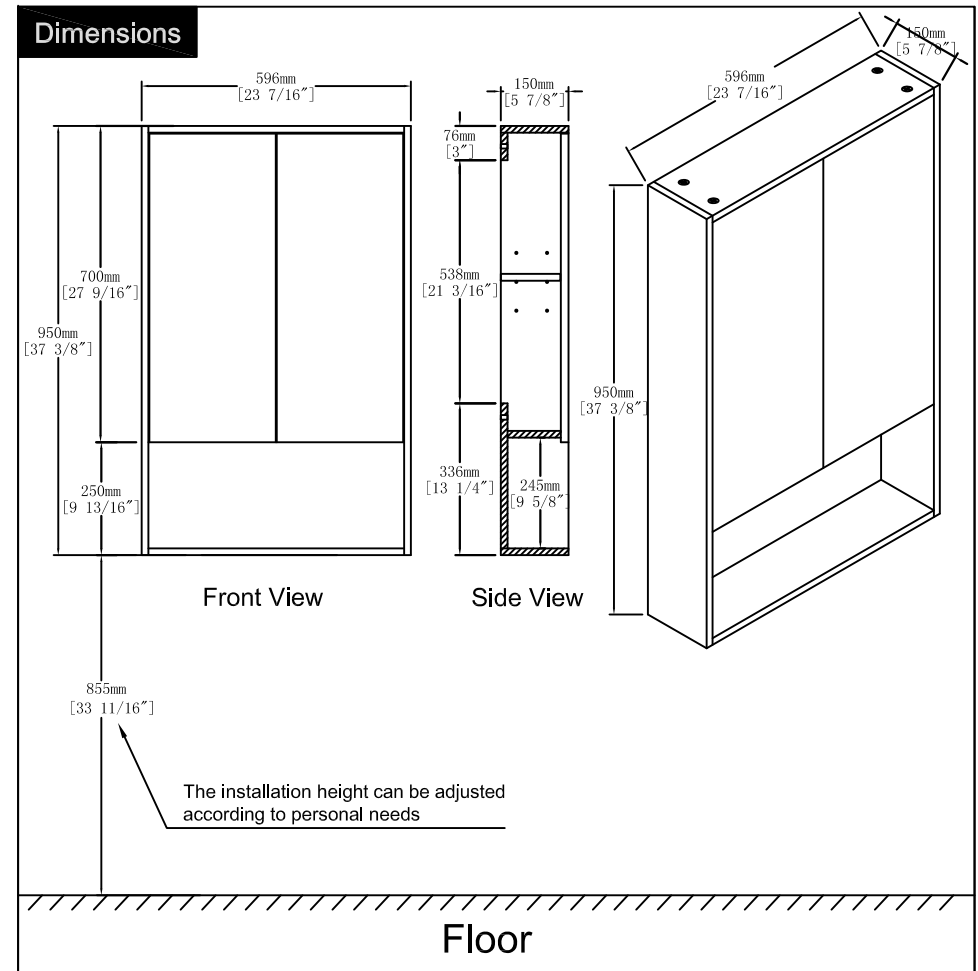
Hardware

NO.	Draw	QTY	NO.	Draw	QTY
A	 Screws Ø4 x 14 mm	24	G	 Screws for fix on the wall	4
B	 Two-in-one connector	24	H	 Wall hanging screw decorative cover	4
C	 Two-in-one connector	24	I	 Screws Ø4 x 25 mm	3
D	 Wood plug	2	J	 Anti-collision gasket	2
E	 Plastic anchor(Ø10mm)	4	K	 Movable laminate support	4
F	 Hinges (Internal hiding)	4	L	 Screwdriver	1

Recommended tools



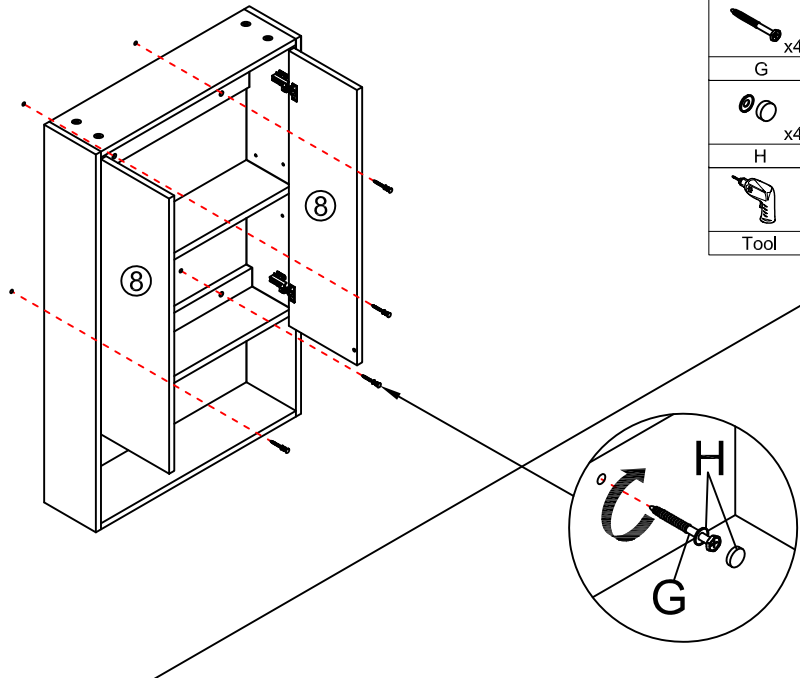
Dimensions






CARE CLEANING AND MAINTENANCE

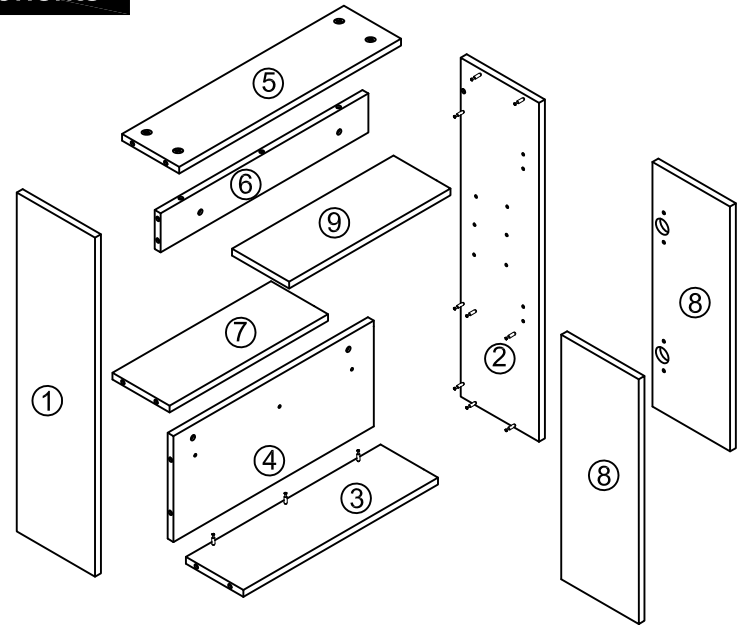
1. Dust regularly with a soft , dry cloth.
2. Avoid the use of all chemicals household cleaners, abrasives, or cleaners that contain lemon, vinegar, or other acids that may damage the finish.
3. Excessive exposure to sunlight and extreme changes in temperature and moisture can damage wood furniture.
4. Do not place hot appliances, such as curling irons and hot hair dryers directly on the countertop. Wipe spills immediately.

Step 7

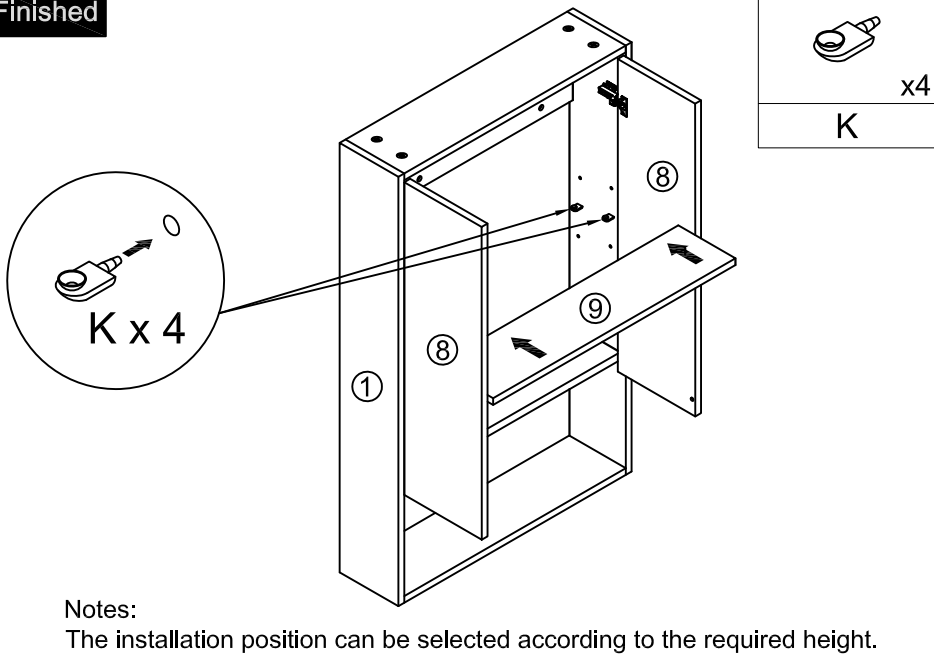



-  x4
- G
-  x4
- H
-  Tool

Components



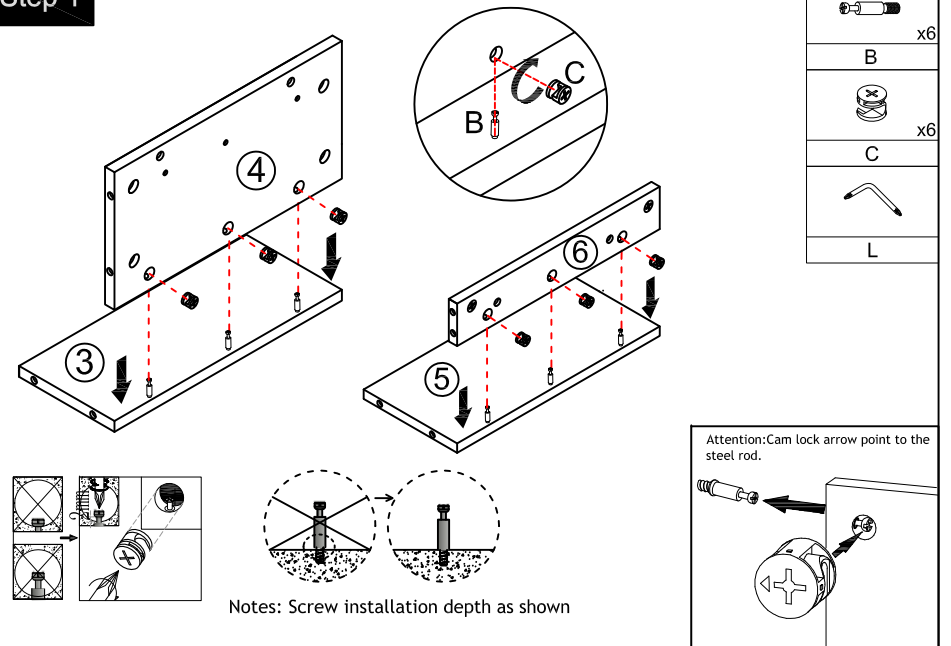
Finished

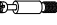

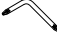


-  x4
- K

Notes:
The installation position can be selected according to the required height.

Step 1



-  x6
- B
-  x6
- C
-  L

Notes: Screw installation depth as shown

Attention: Cam lock arrow point to the steel rod.

Step 2

Note: The D parts are used for these this hole

	x9
	x9
	x1

Step 4

Note: The D parts are used for these this hole

$\text{\O}4 \times 14\text{mm}$	
	x24
	x4
	x2

You can adjust the doors by tightening or loosening the screws on the hinge. →

Step 3

Note: The D parts are used for these this hole

	x9
	x9
	x1
	x3

Step 5

$\text{\O}10$

Step 6

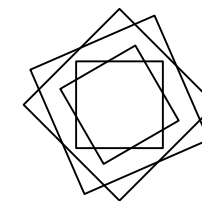
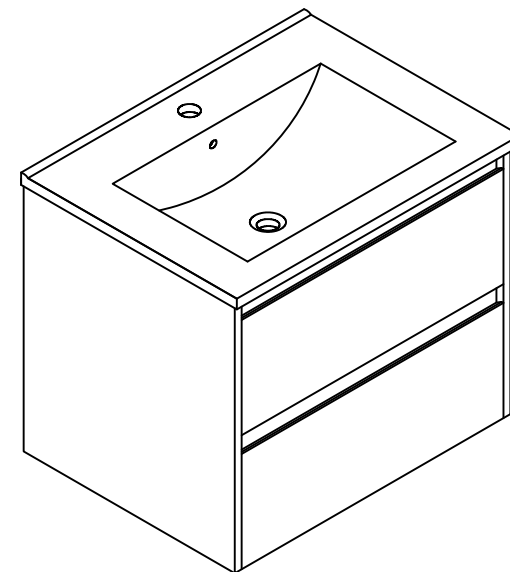
	x4

**Installation Manual- BV C05124
BV C05130**

**MOTIVATE
YOUR LIFE !**

THANKS FOR WATCHING

Your feedback is invaluable to us and we would love to hear about your experience. Please take the time to leave us a review.


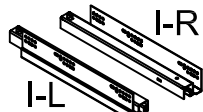
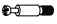
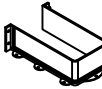







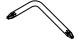




Thank you for shopping with us!

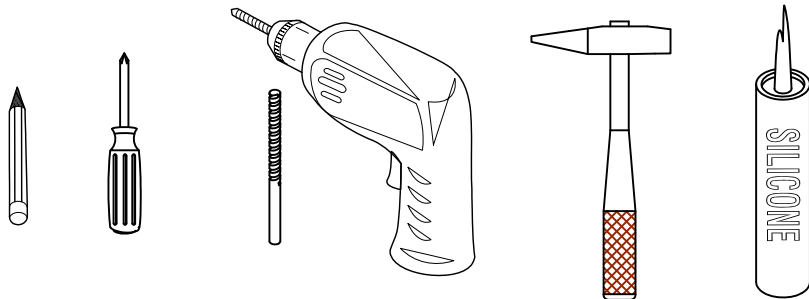
We encourage you to take a few minutes to go through this booklet. It contains important information on installation and care tips to keep your furniture looking as good as new.

Item NO.:BV C05124 / BV C05130

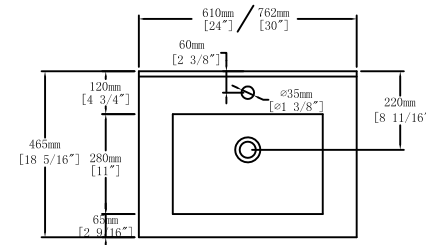
Hardware

NO.	Draw	QTY	NO.	Draw	QTY
A	 Screws Ø4x14mm	44	I	 I-R I-L Track	2
B	 Two-in-one connector	41	J	 U-Shaped plastic	1
C	 Two-in-one connector	41	K	 Screws Ø4x20mm	8
D	 Wood plug	2	L	 Screws Ø4x10mm	7
E	 Plastic anchor(Ø10mm)	4	M	 Anti-collision gasket	8
F	 Screws for fix on the wall	4	N	 Screwdriver	1
G	 Bracket (53x70x44mm)	2			
H	 Bracket (19x19x35mm)	2			

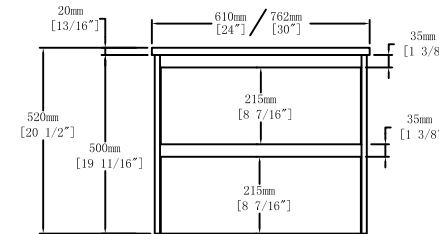
Recommended tools



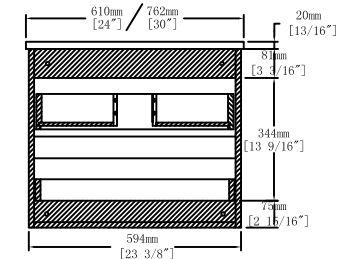
Dimensions



Top View



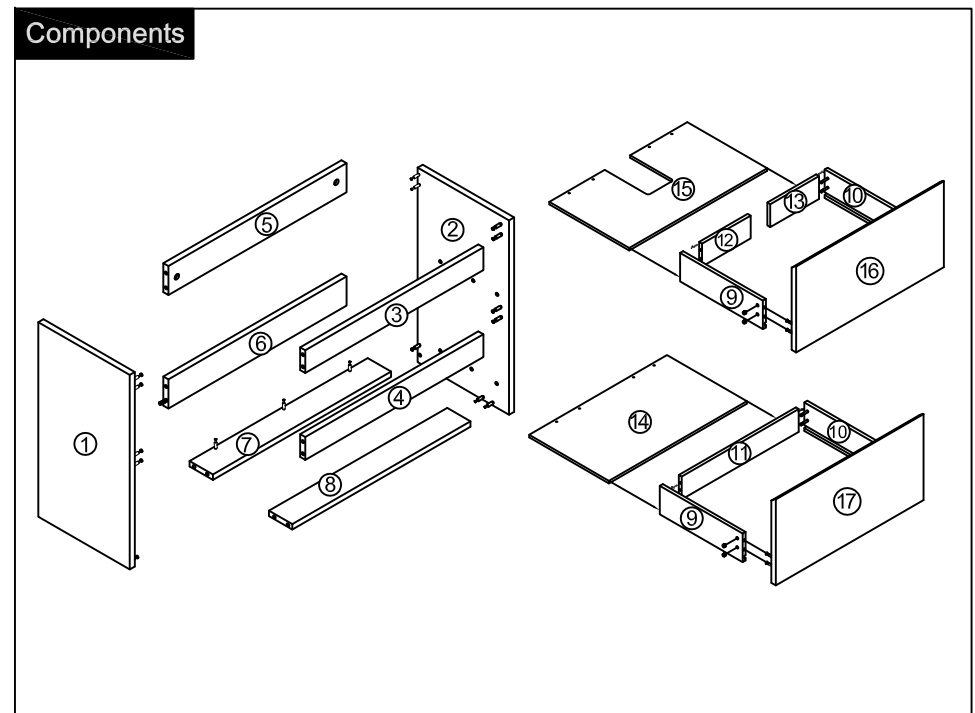
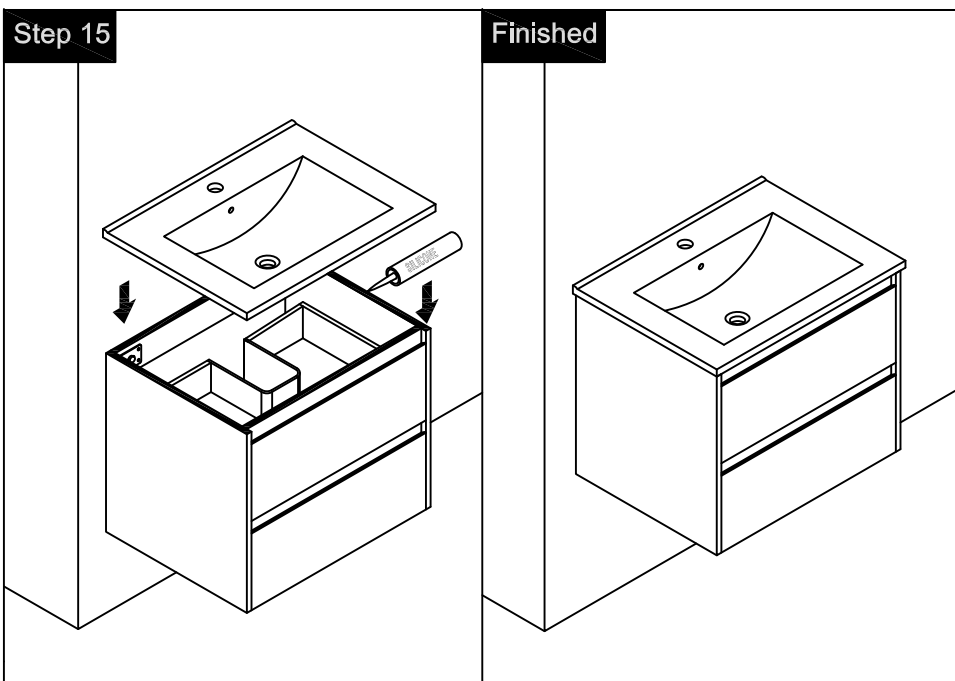
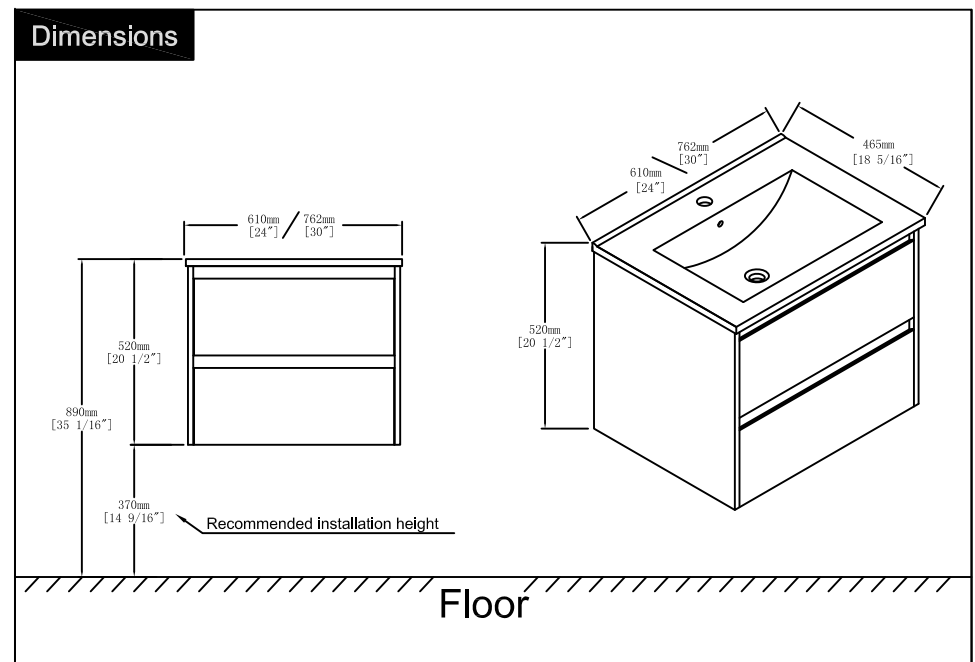
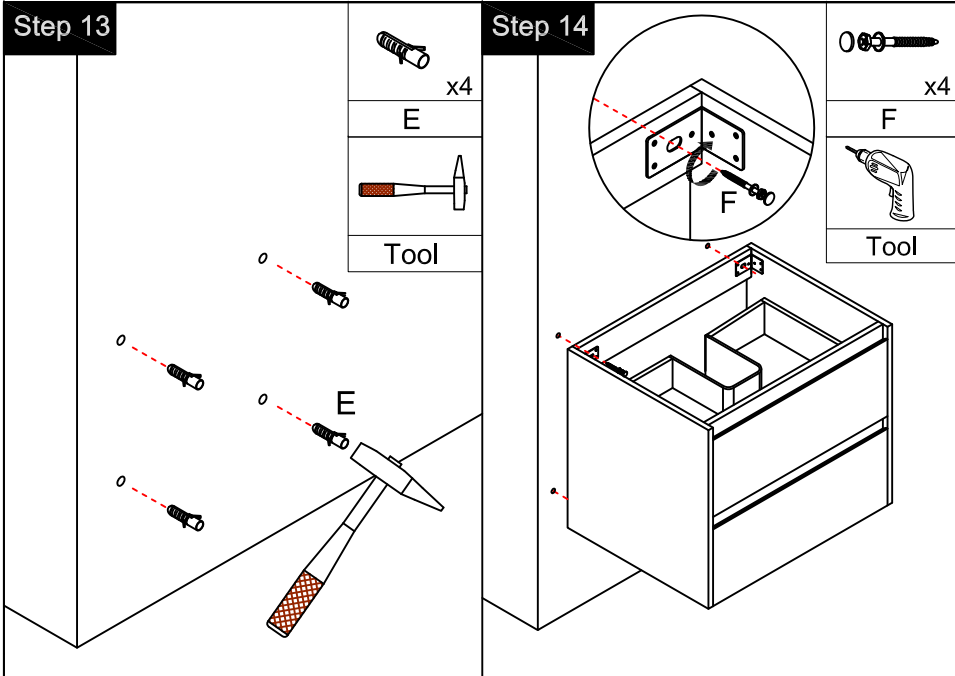
Front View



Back View

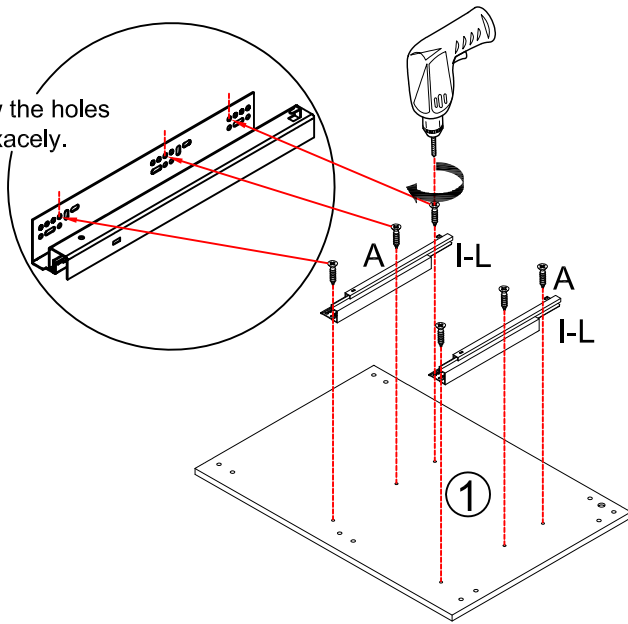
CARE CLEANING AND MAINTENANCE

1. Dust regularly with a soft , dry cloth.
2. Avoid the use of all chemicals household cleaners, abrasives, or cleaners that contain lemon, vinegar, or other acids that may damage the finish.
3. Excessive exposure to sunlight and extreme changes in temperature and moisture can damage wood furniture.
4. The sink top is resilient, but care needs to be taken to preserve its appearance.
5. Do not place hot appliances, such as curling irons and hot hair dryers directly on the countertop. Wipe spills immediately.



Step 1

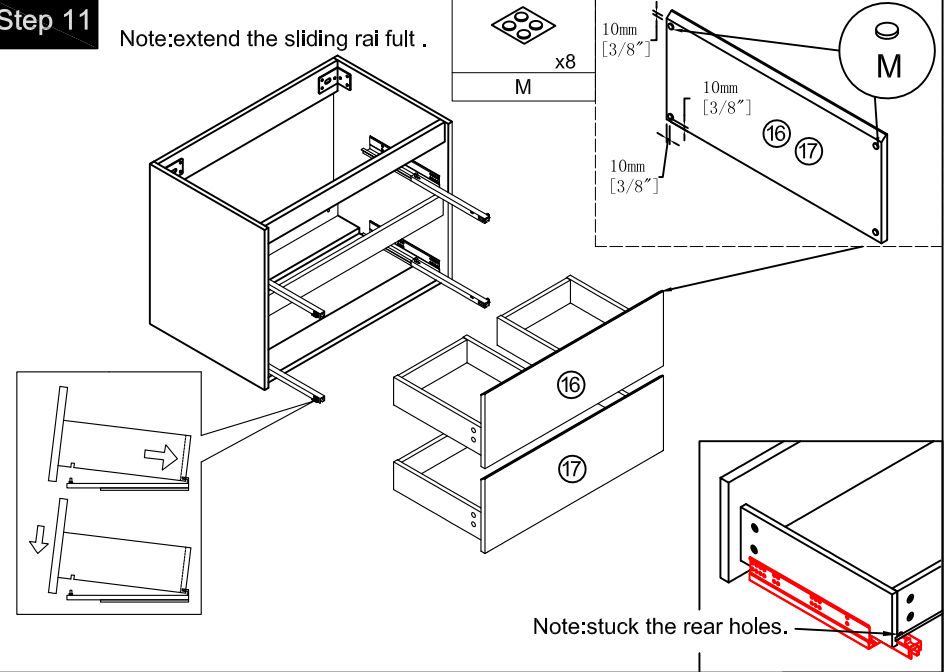
Note: Follow the holes positions exactly.



	I-L	x2
	I	(∅4 x 14mm)
	A	x6
	Tool	

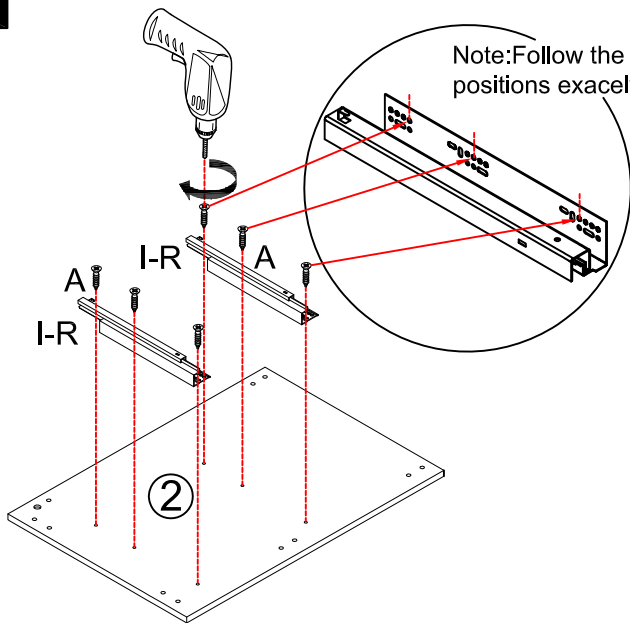
Step 11

Note: extend the sliding rail full.



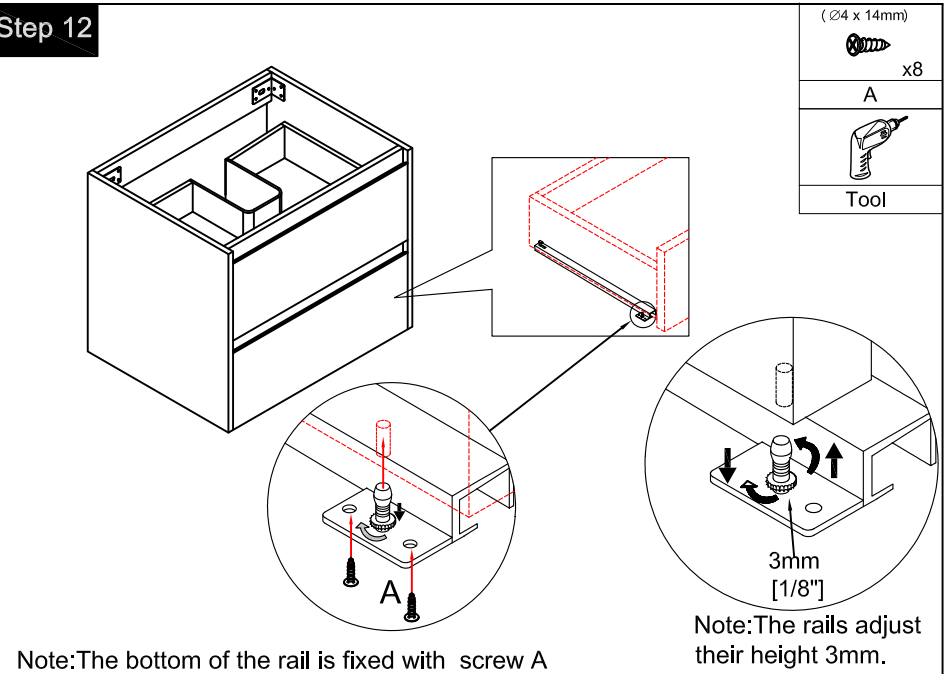
Step 2

Note: Follow the holes positions exactly.

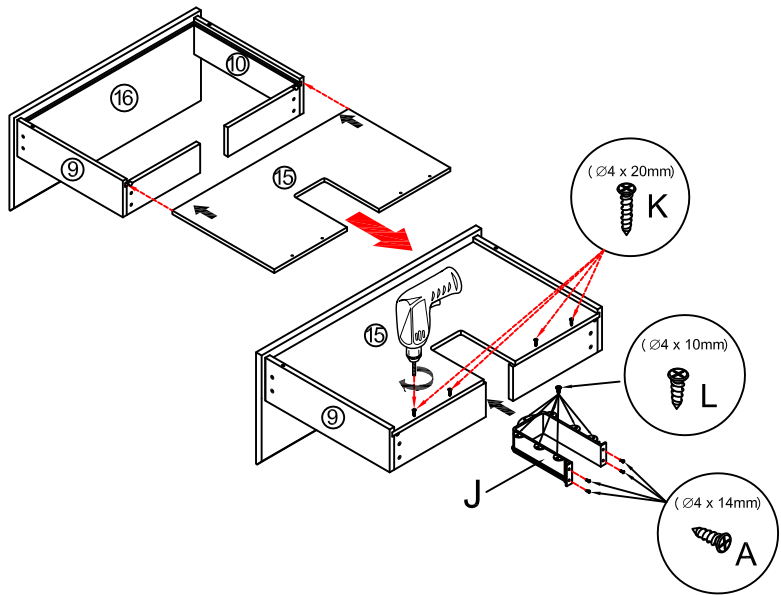


	I-R	x2
	I	(∅4 x 14mm)
	A	x6
	Tool	

Step 12

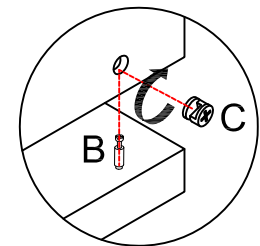
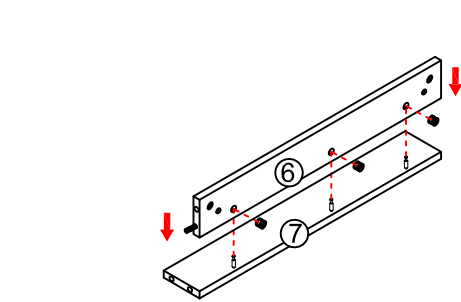


Step 9

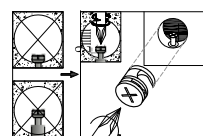


- (Ø4 x 14mm)
- A x4
- (Ø4 x 20mm)
- K x4
- (Ø4 x 10mm)
- L x7
- J x1
- Tool

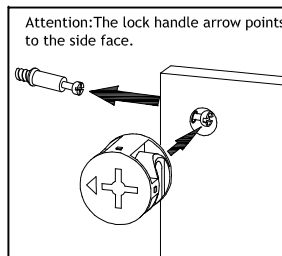
Step 3



- B x3
- C x3
- N x1

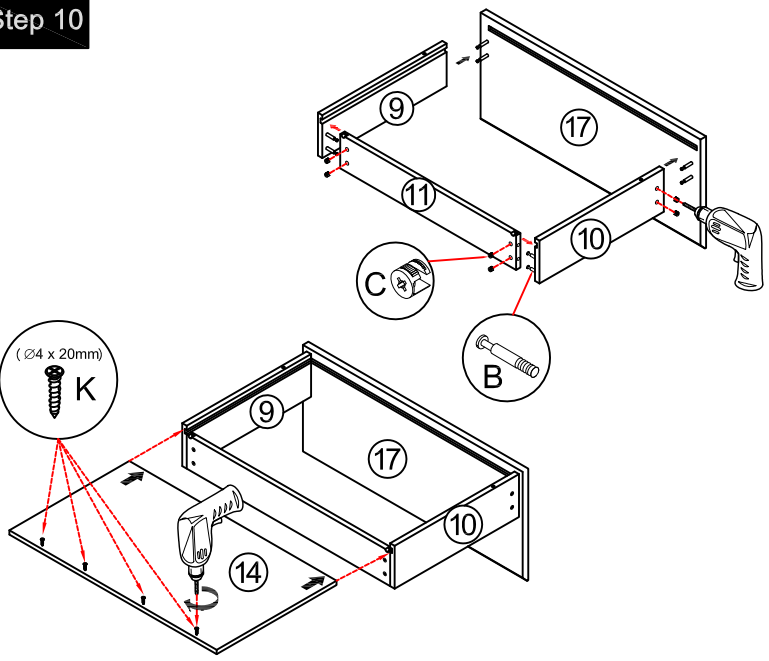


Notes: Screw installation depth as shown



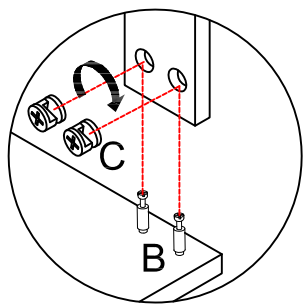
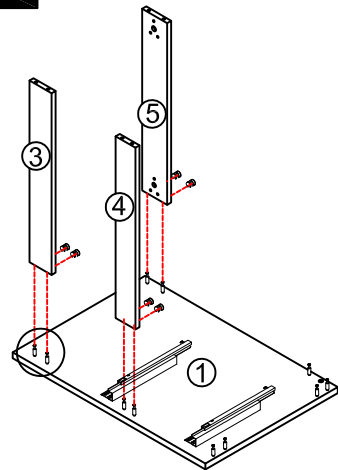
Attention: The lock handle arrow points to the side face.

Step 10

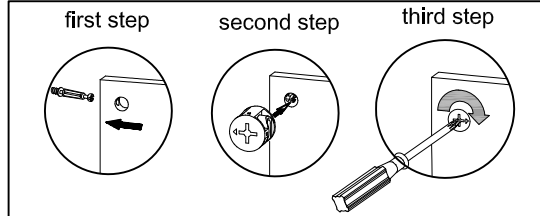


- B x8
- C x8
- (Ø4 x 20mm)
- K x4
- N x1
- Tool

Step 4

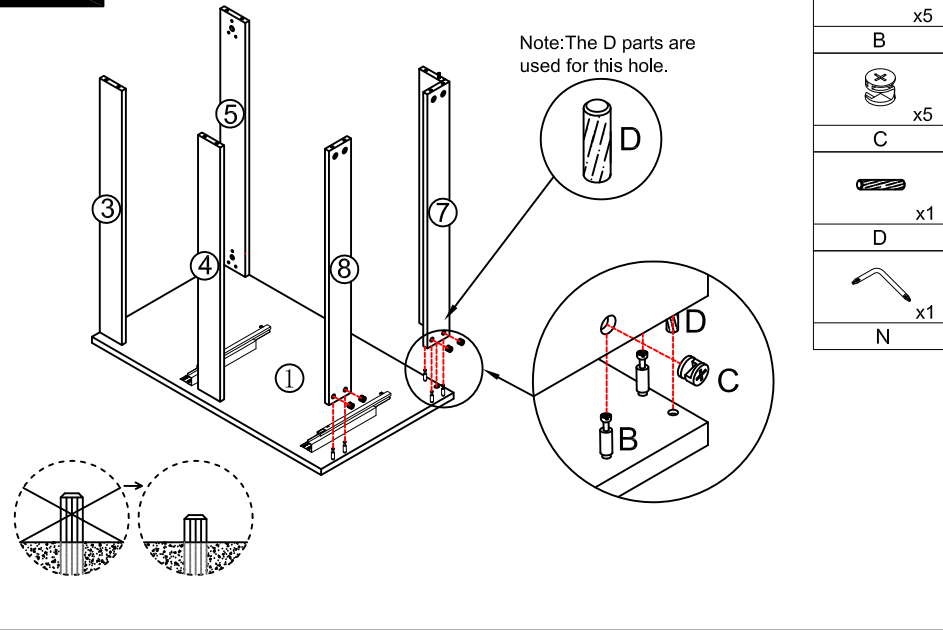


- B x6
- C x6
- N x1



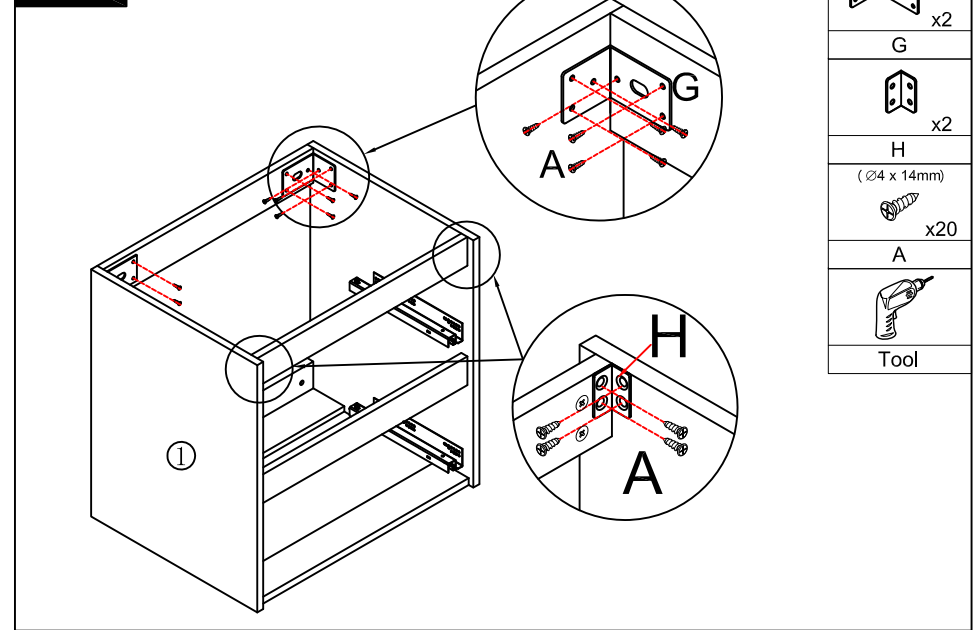
first step second step third step

Step 5



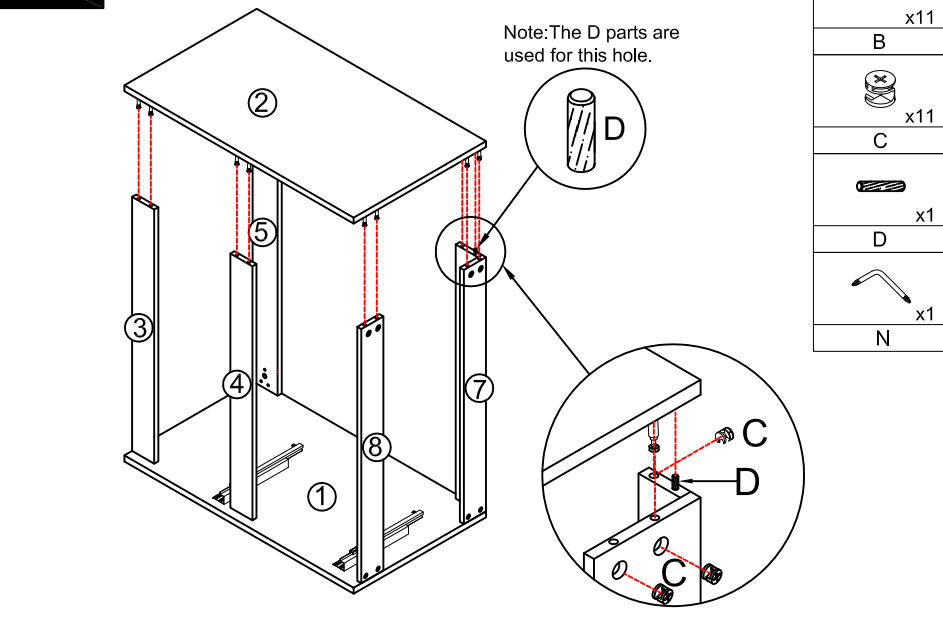
	x5
B	
	x5
C	
	x1
D	
	x1
N	

Step 7



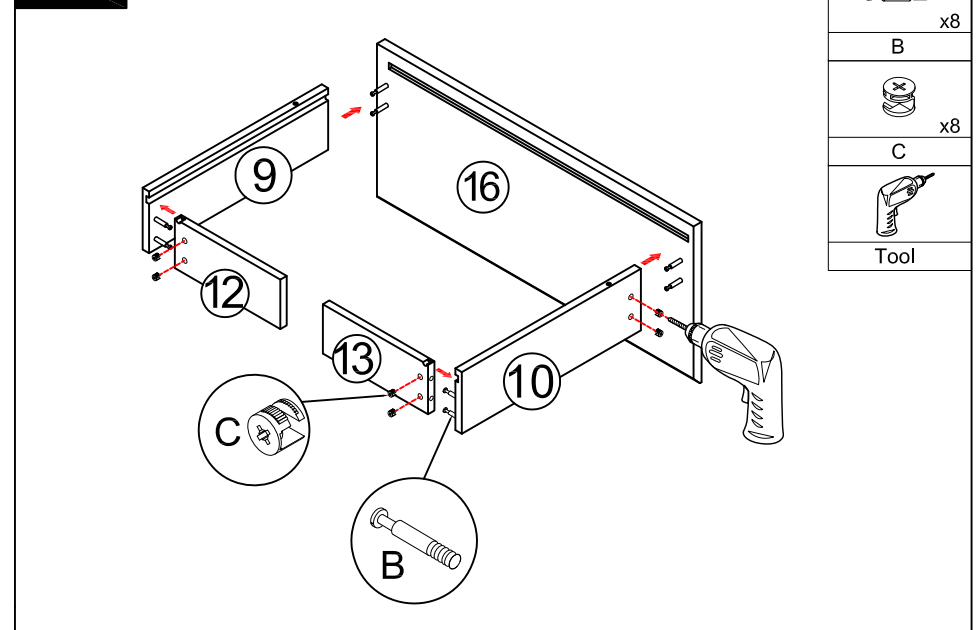
	x2
G	
	x2
H	
($\varnothing 4 \times 14\text{mm}$)	
	x20
A	
	Tool

Step 6



	x11
B	
	x11
C	
	x1
D	
	x1
N	

Step 8



	x8
B	
	x8
C	
	Tool