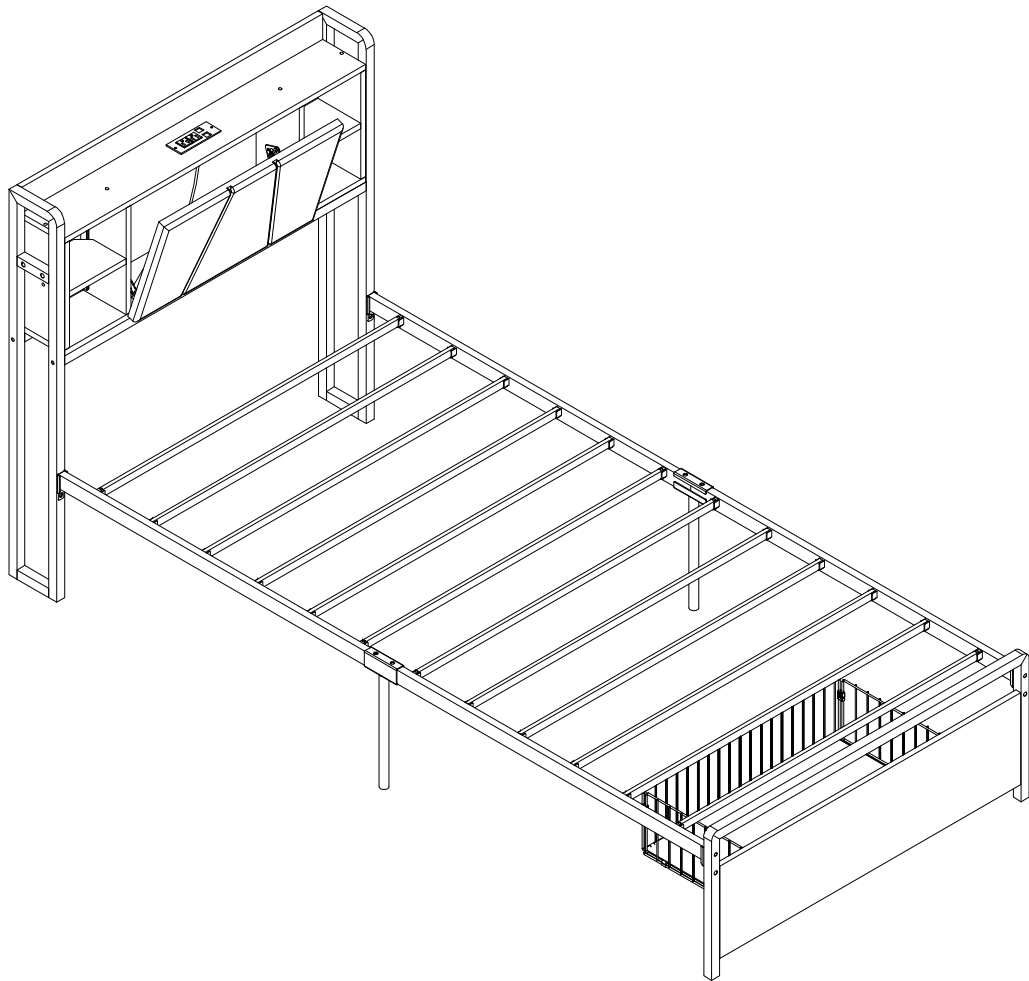
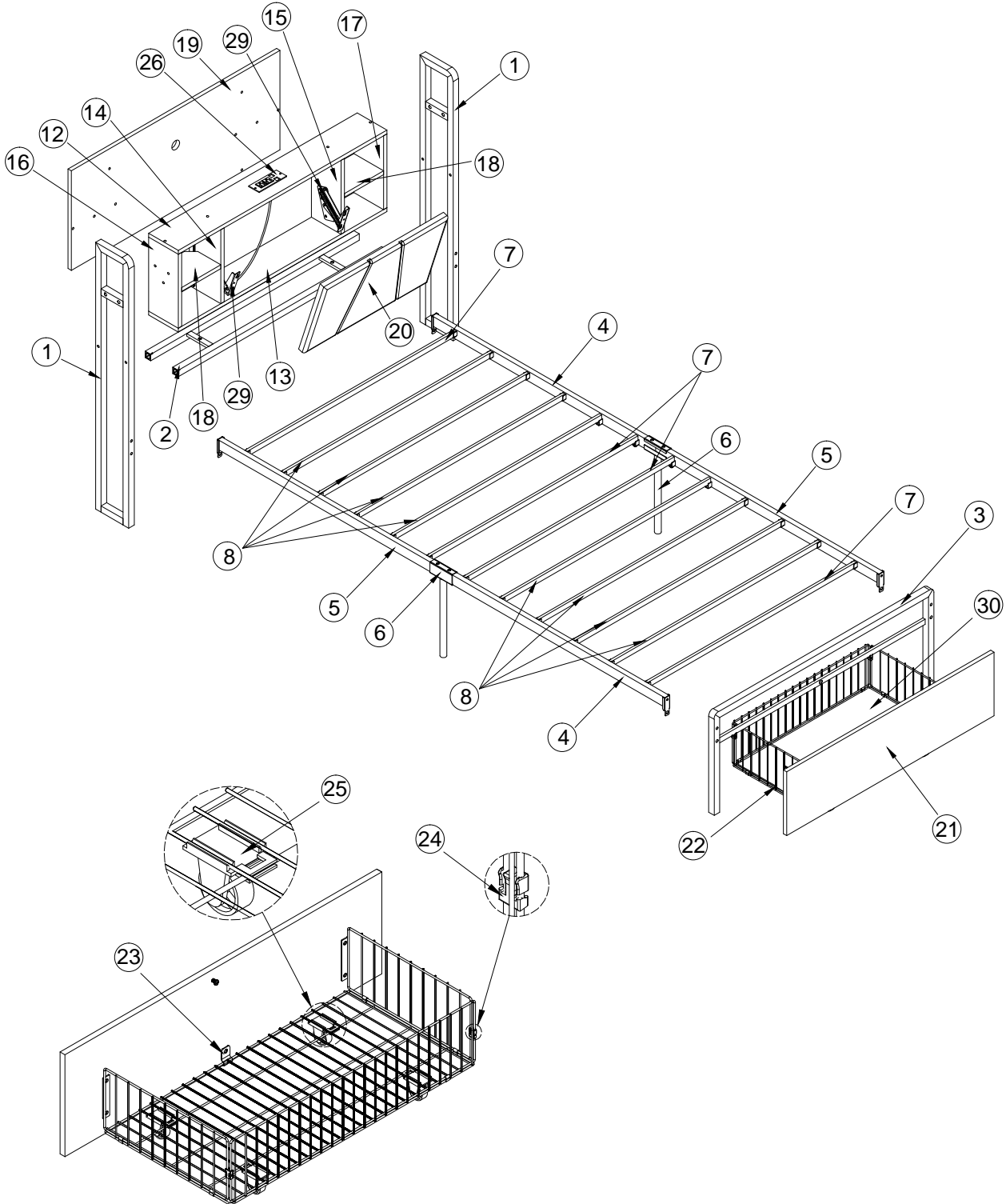
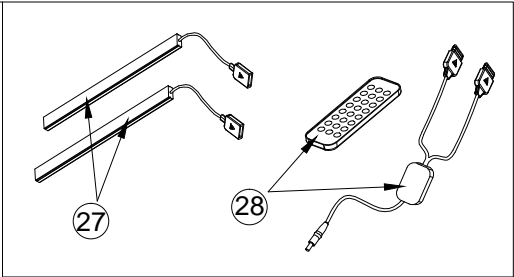
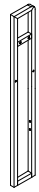
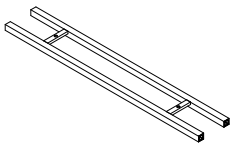
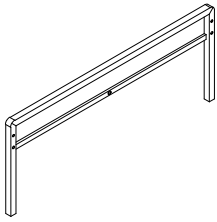
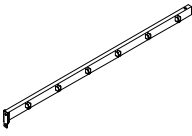
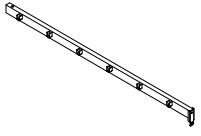
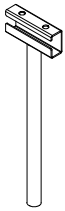
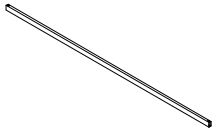
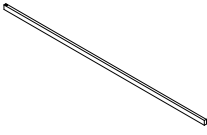
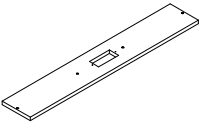
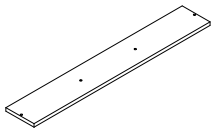
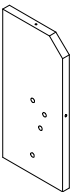

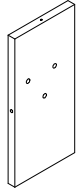
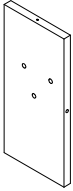
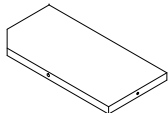
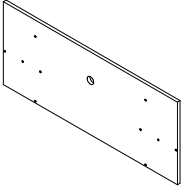
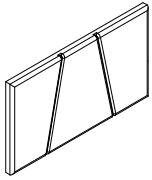
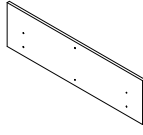

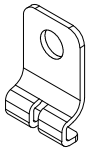
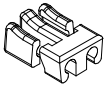
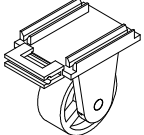
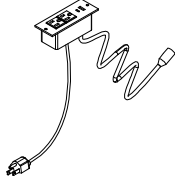

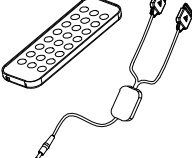
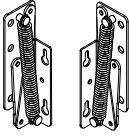
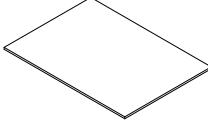


USER'S MANUAL

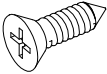
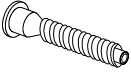
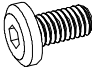
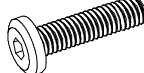
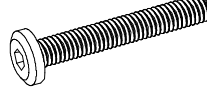
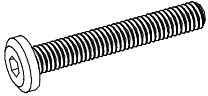
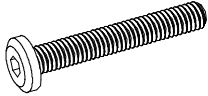



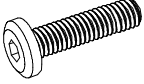
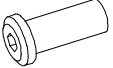
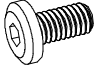

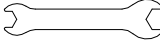



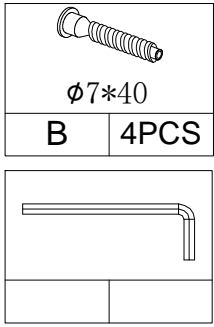


Parts List

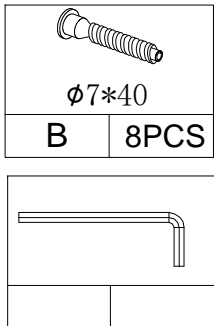
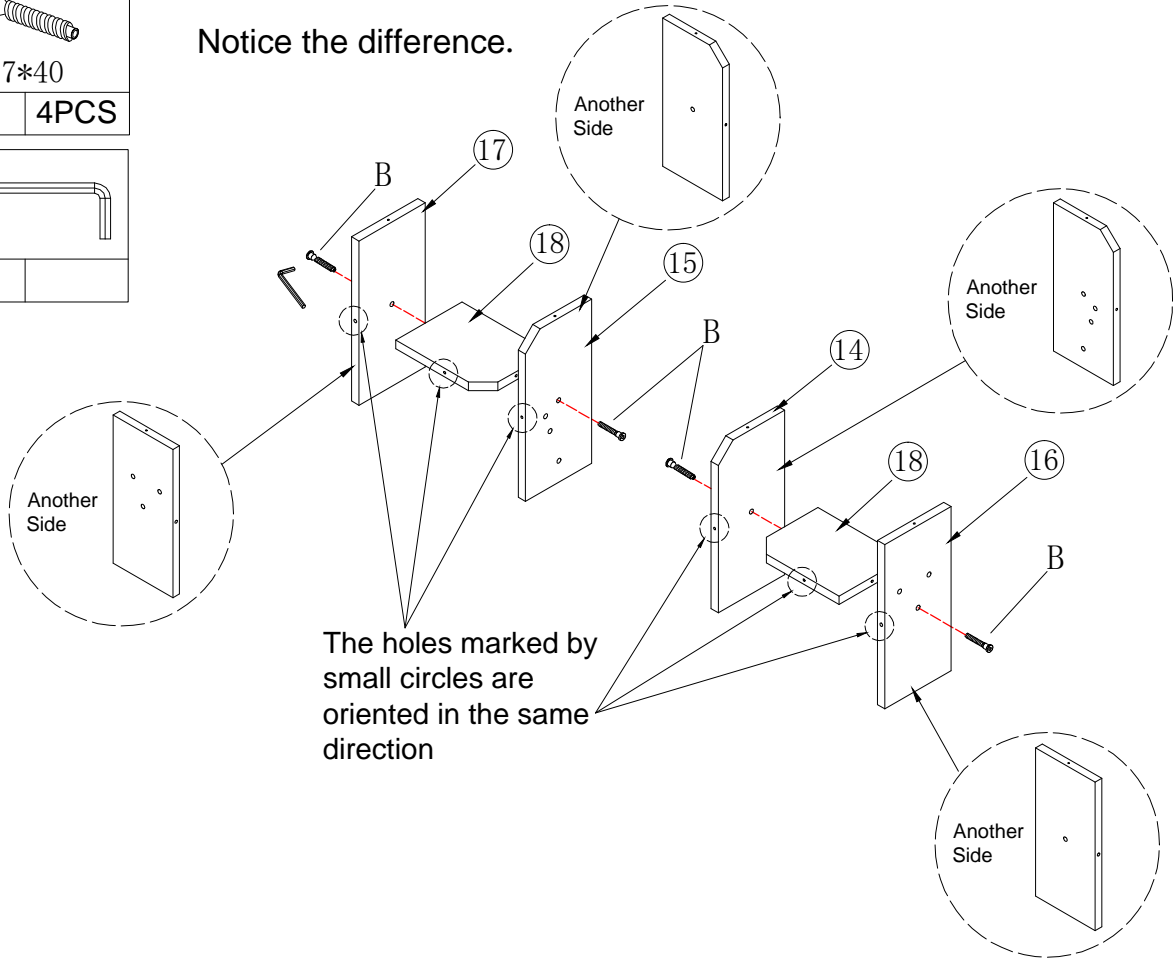
 <p>2PCS</p>	 <p>1PC</p>	 <p>1PC</p>	 <p>2PCS</p>	 <p>2PCS</p>
 <p>2PCS</p>	 <p>4PCS</p>	 <p>8PCS</p>	 <p>1PC</p>	 <p>1PC</p>
 <p>1PC</p>	 <p>1PC</p>	 <p>1PC</p>	 <p>1PC</p>	 <p>2PCS</p>
 <p>1PC</p>	 <p>1PC</p>	 <p>1PC</p>	 <p>1PC</p>	 <p>1PC</p>
 <p>2PCS</p>	 <p>4PCS</p>	 <p>1PC</p>	 <p>2PCS</p>	 <p>1PC</p>
 <p>1SET</p>	 <p>1PC</p>			

Hardware List

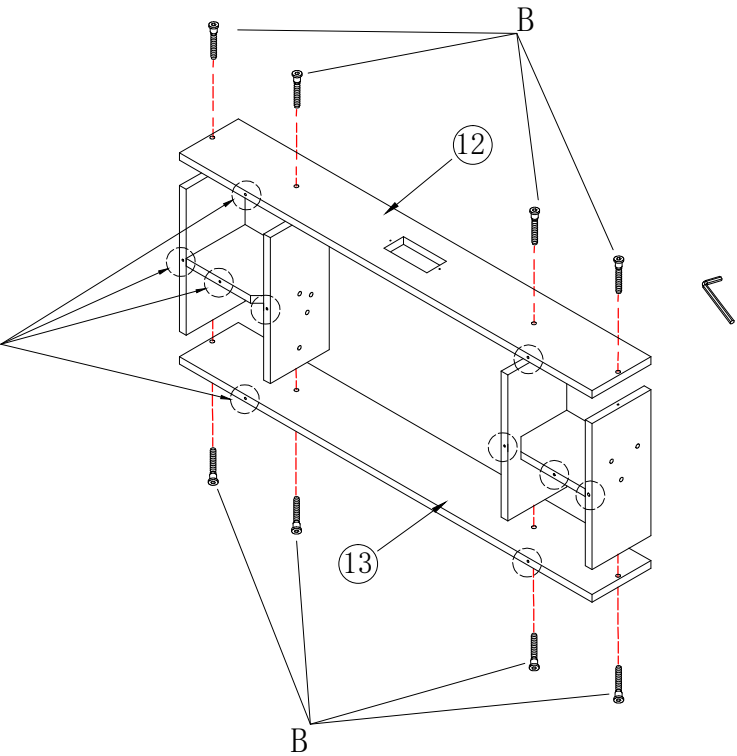
A $\phi 3 \times 12$  2PCS	B $\phi 7 * 40$  22PCS	C M6x15mm  10PCS	D M6x20mm  2PCS	E M6x35mm  8PCS
F M6x45mm  4PCS	G M8x40mm  8PCS	H M8  4PCS	I $\phi 8$  8PCS	J $\phi 6$  10PCS
K M5x25mm  8PCS	L M6x20mm  4PCS	M M6x12mm  6PCS	 2PCS	 1PC
 1PC				

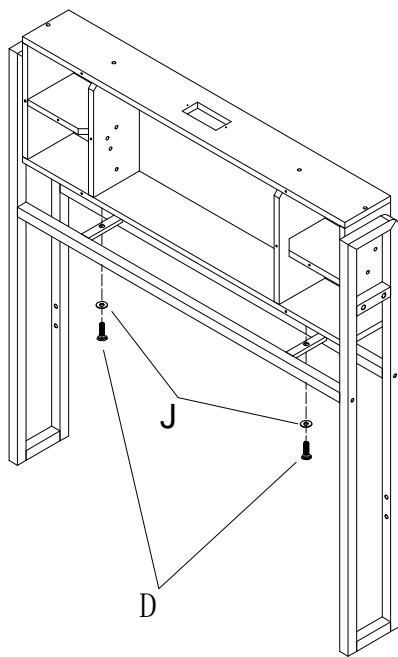
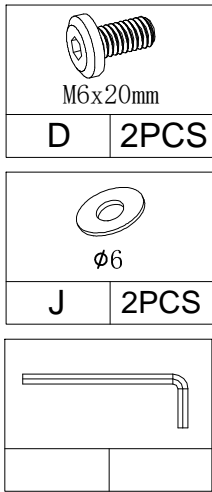
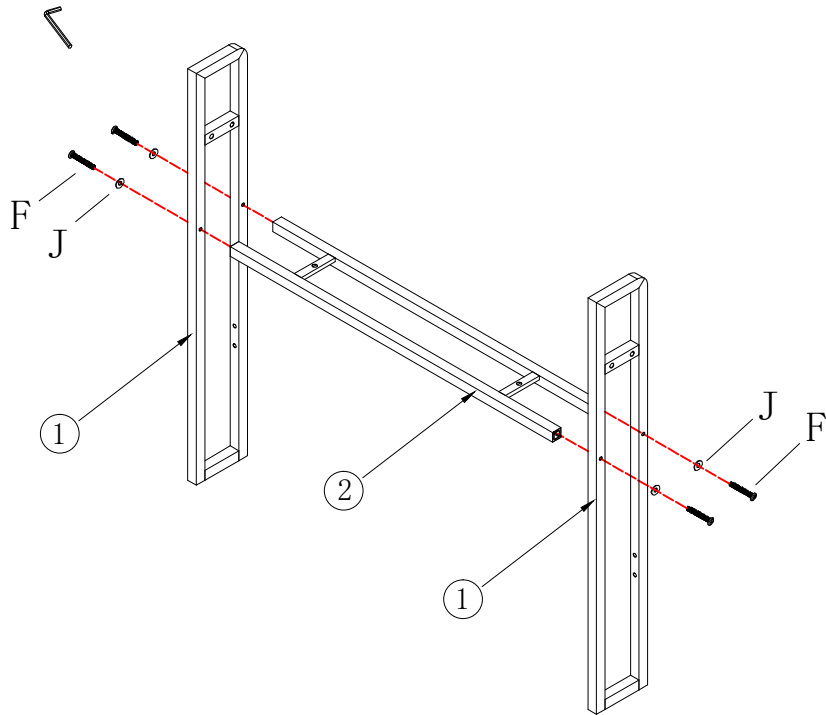
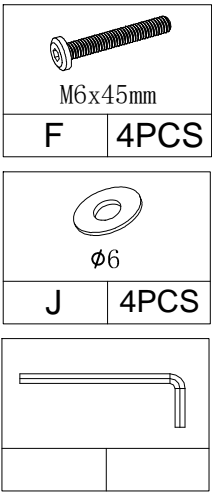


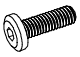



Notice the difference.

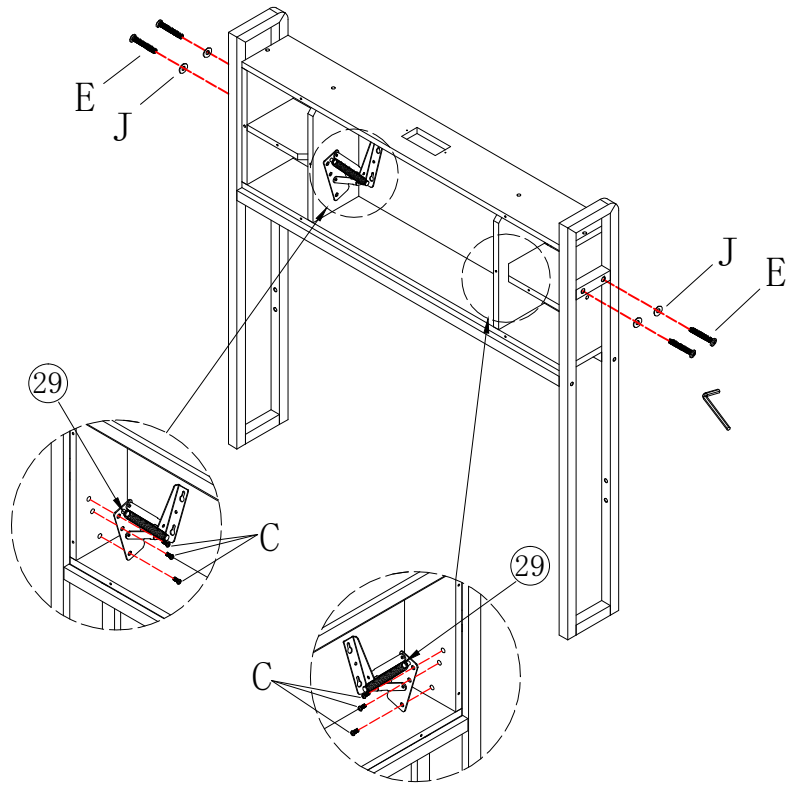


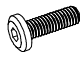
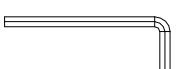
The holes marked by small circles are oriented in the same direction

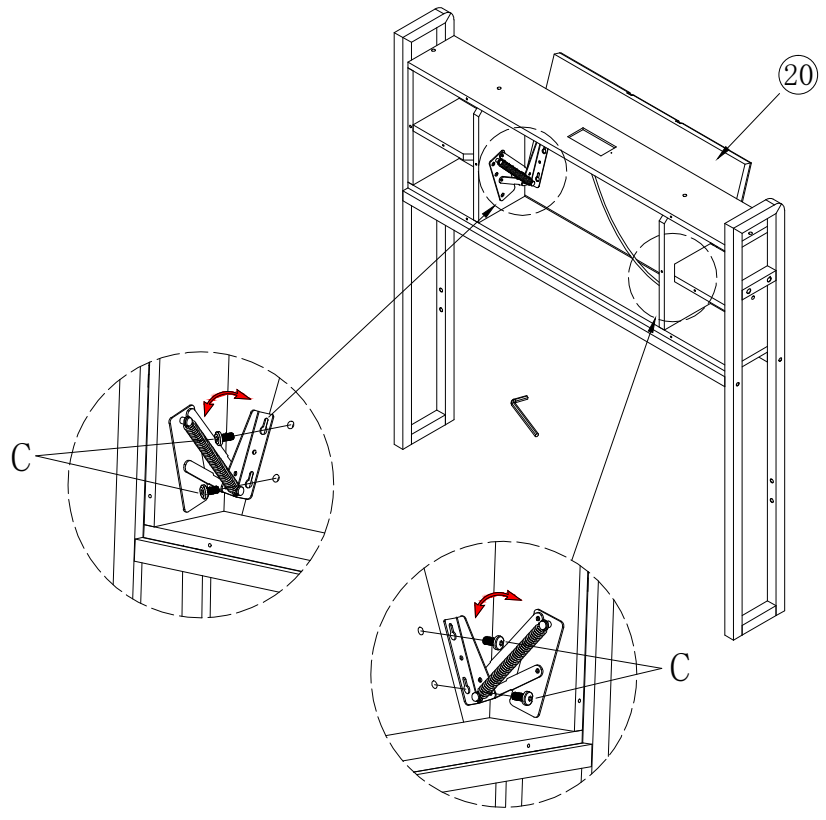


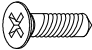



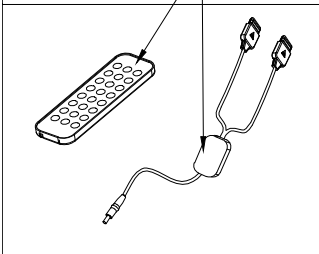
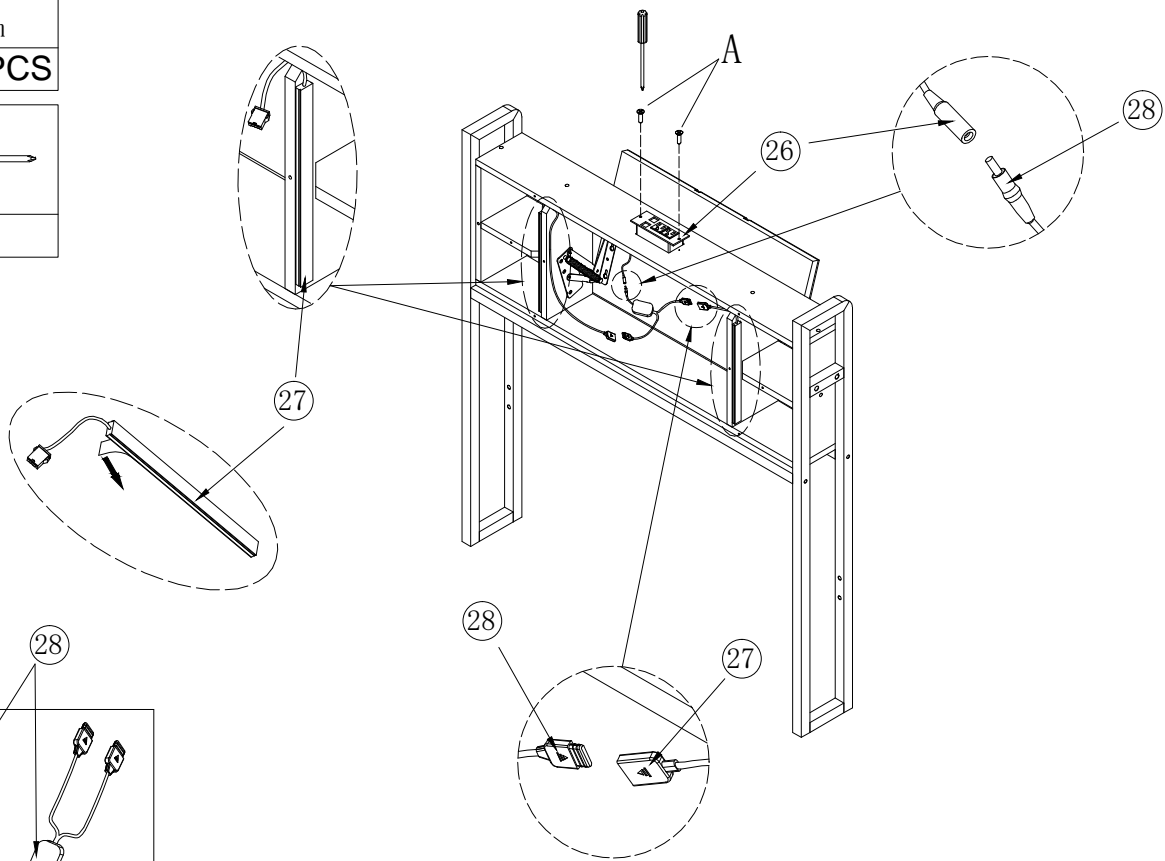

M6x15mm
C 6PCS

M6x35mm
E 4PCS

φ6
J 4PCS


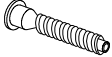



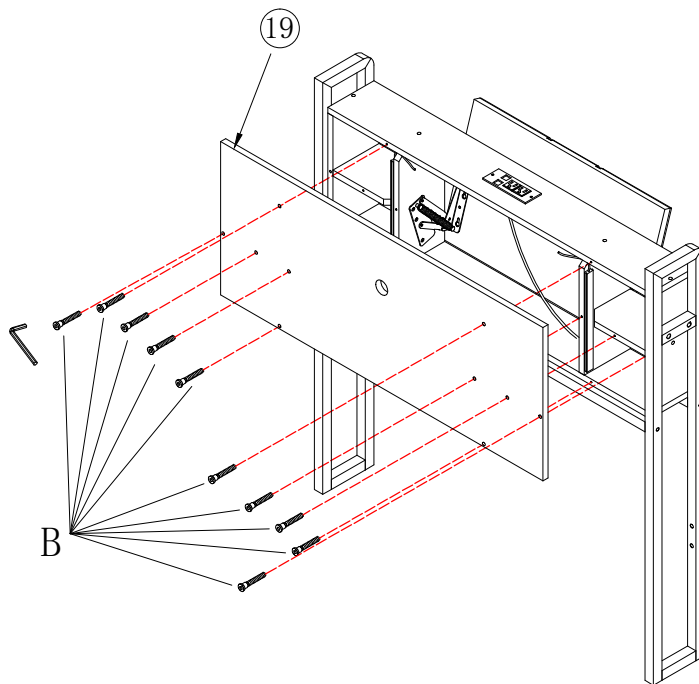

M6x15mm
C 4PCS




	
ø3x12mm	
A	2PCS
	



	
ø7*40	
B	10PCS
	





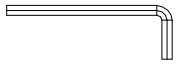
M6x35mm

E 4PCS

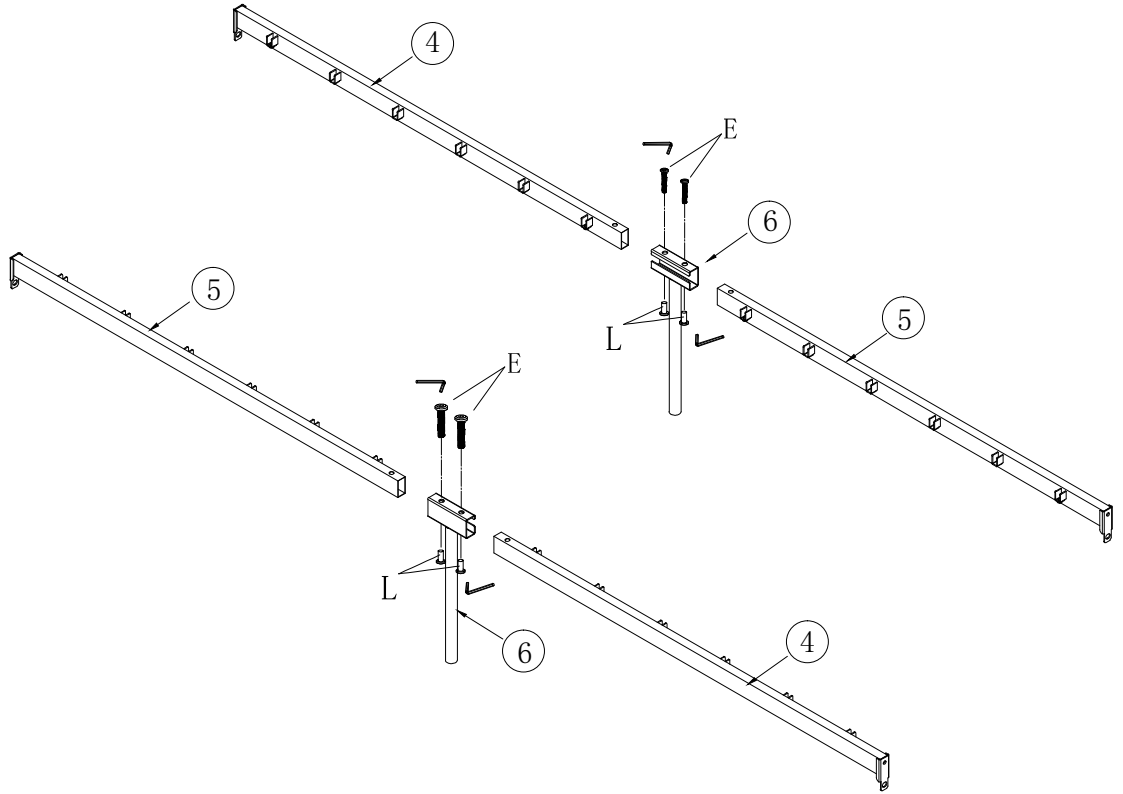


M6x20mm

L 4PCS

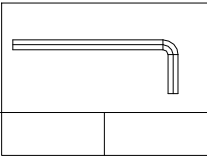


2PCS



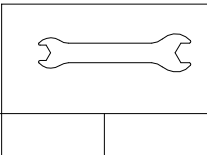
M8x40mm

G 8PCS



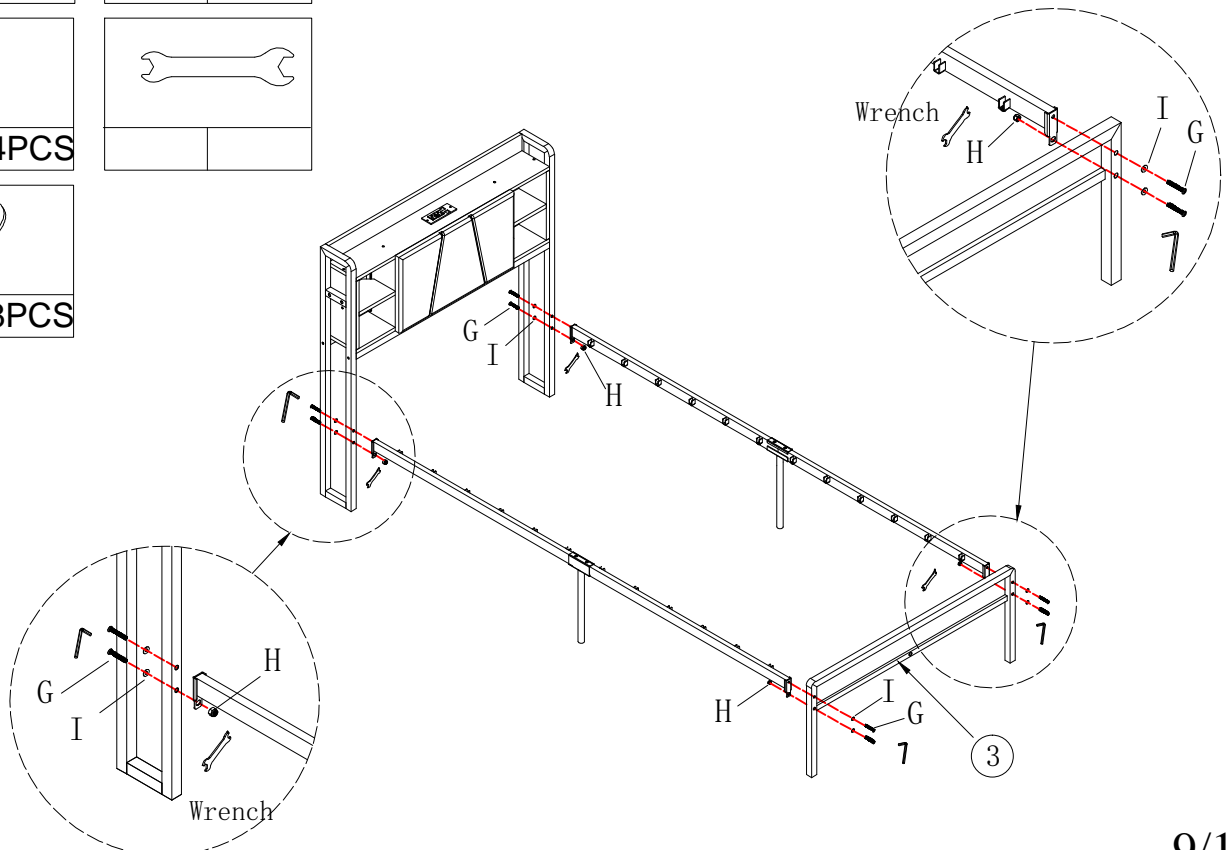
M8

H 4PCS



Ø8

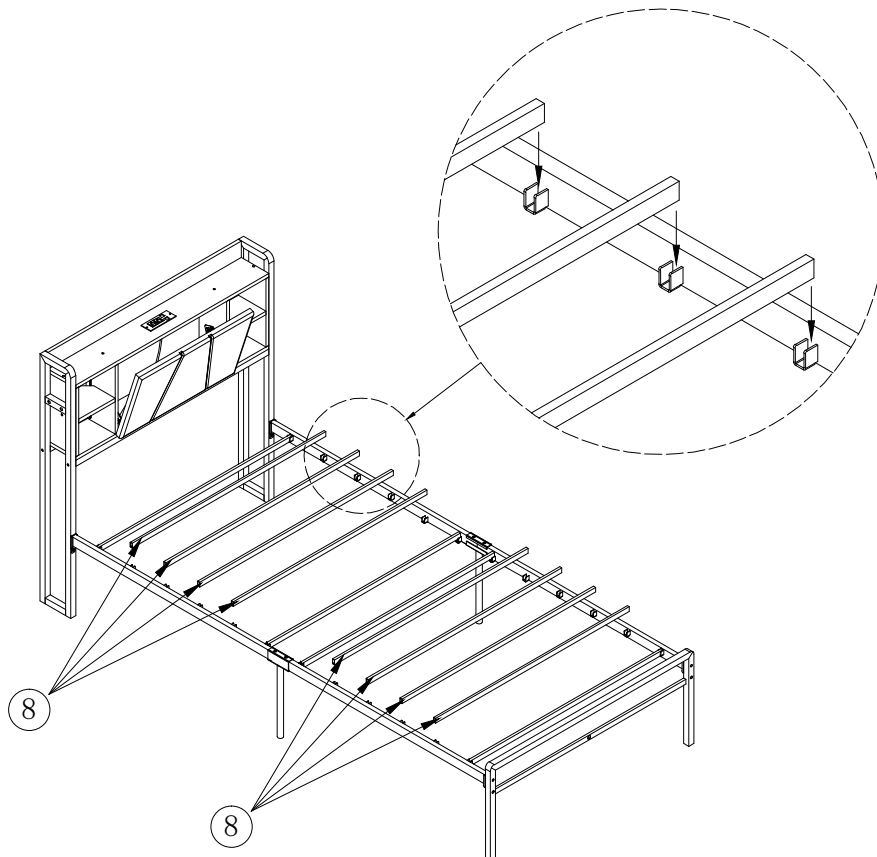
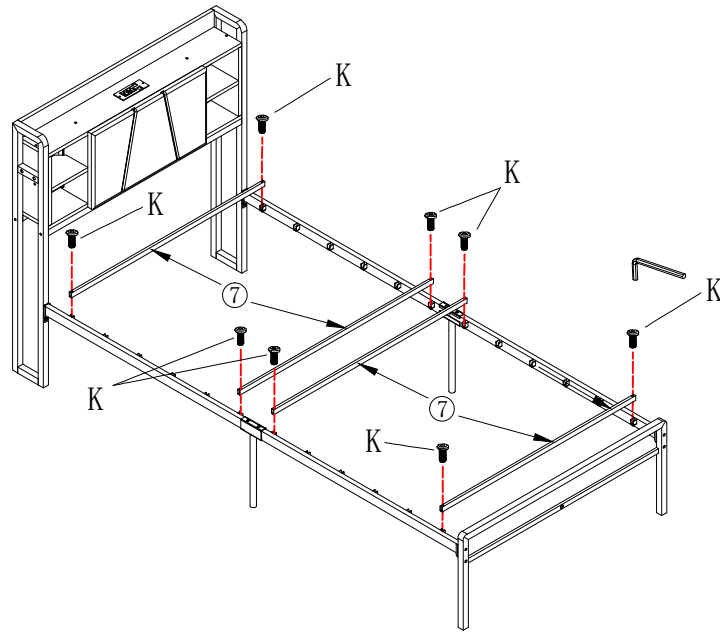
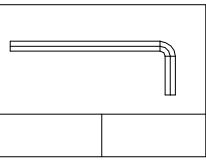
I 8PCS



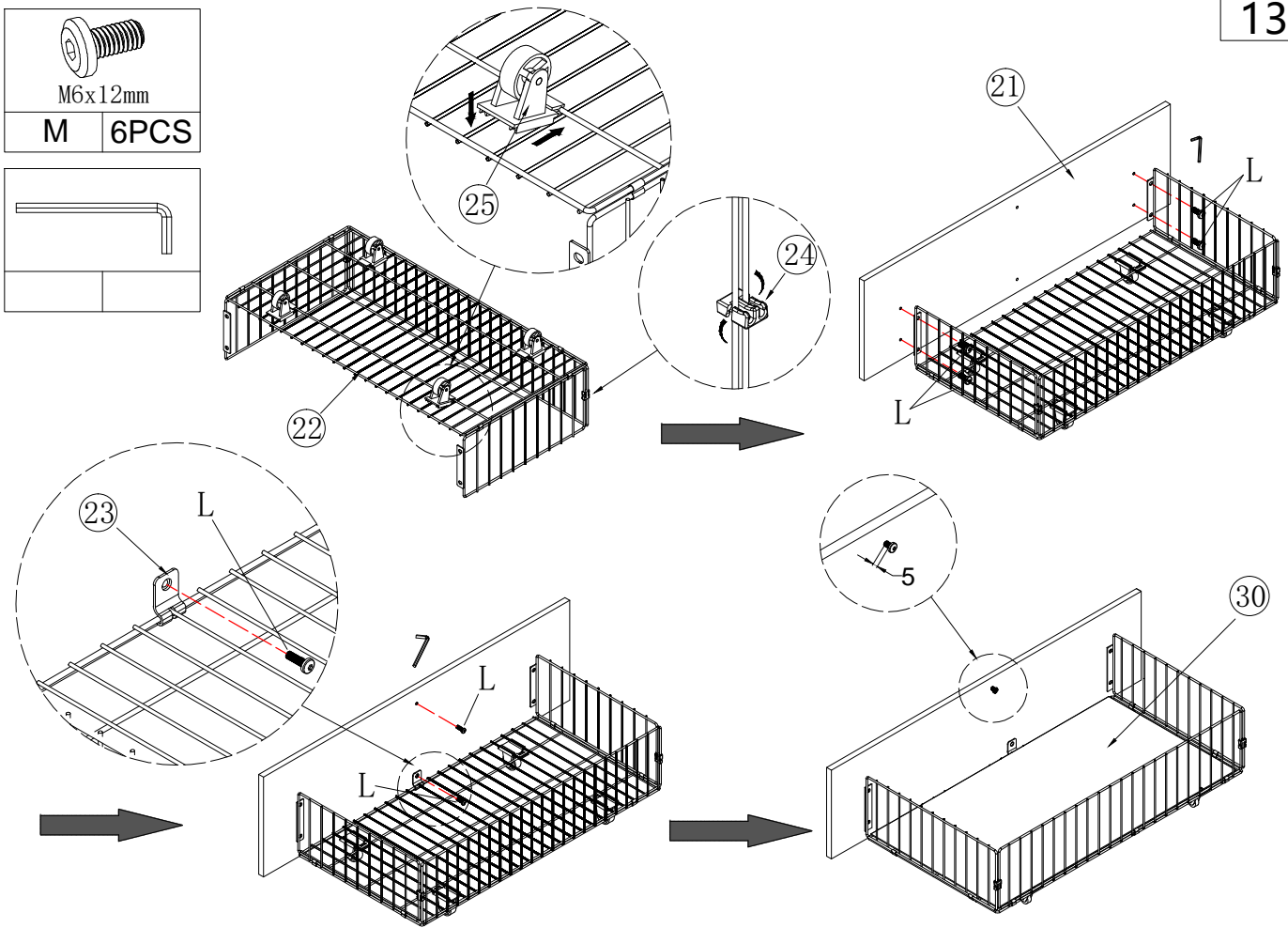
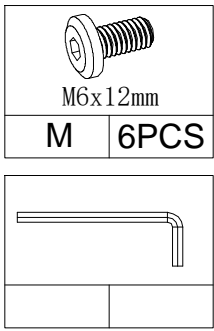


M5x25mm

K 8PCS



13



14

