

# FORTY WEST DESIGNS INC

## ASSEMBLY & INSTALLATION INSTRUCTION FOR #71303

Please read carefully and save these instructions, as you may need them at a later date.

### CAUTION

Turn off the main power at the circuit breaker before installing the fixture, in order to prevent possible shock.

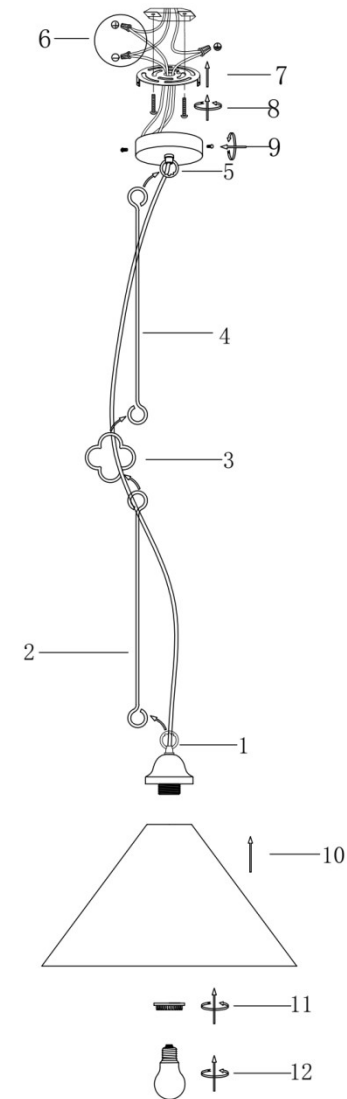
### GENERAL

All electrical connections must be in accordance with local and National Electrical Code (N.E.C.) standards. If you are unfamiliar with proper electrical wiring connections obtain the services of a qualified electrician.

Remove the fixture and the mounting package from the box and make sure that no parts are missing by referencing the illustrations on the installation instructions.

### ASSEMBLY AND INSTALLATION

1. Install the desired number of IRON WIRE (2/3) on to IRON RING(1/3/5).
2. Connect the GROUND WIRE from the canopy to JUNCTION BOX, make the electrical connections by using the wire nut, Connect the NEUTRAL(WHITE) WIRE from fixture to NEUTRAL WIRE from power supply with the wire nut. Connect the LIVE (BLACK) WIRE from fixture to LIVE WIRE from power supply with the wire nut.
3. Fasten plate (7) to junction box with screws (8).
4. Attach the FIXTURE to the plate (7) with screws (9).
5. Install the SHADE(10) and SOCKET RING (11) Rotate clockwise to tighten.
6. Screw light bulbs into the sockets and make sure they do not exceed the maximum wattage specified on the fixture's wattage rating label, **MAXIMUM 60W.**



1. IRON RING
2. IRON WIRE
3. IRON RING
4. IRON WIRE
5. IRON RING
6. NEUTRAL WIRE/LIVE WIRE/GROUND WIRE

7. PLATE
8. SCREW
9. SCREW
10. SHADE
11. SOCKET RING