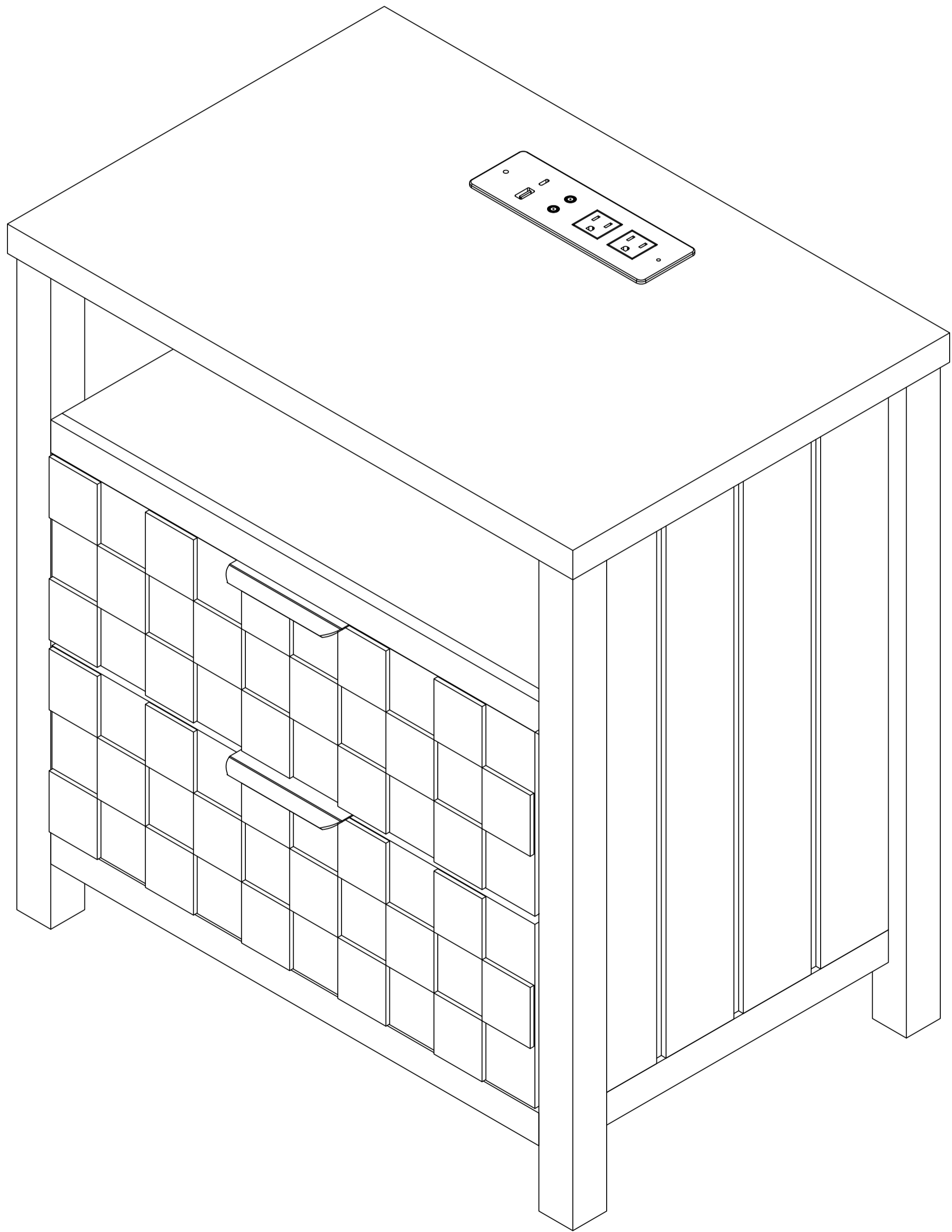
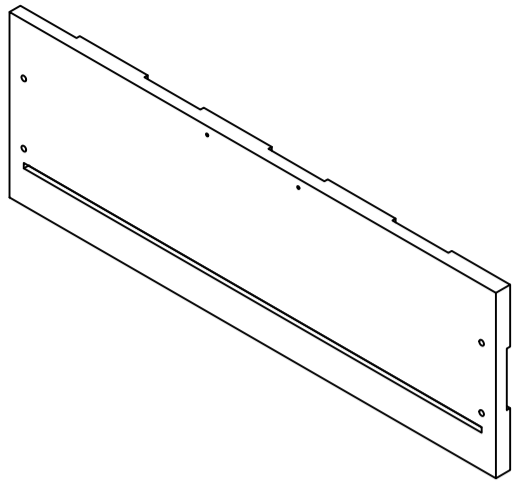
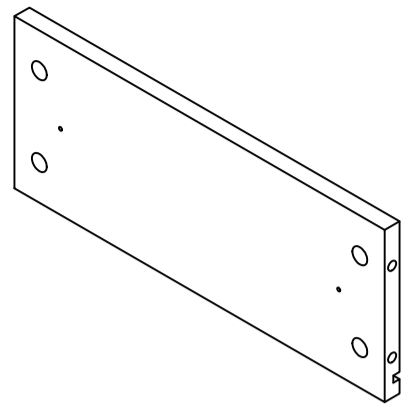


Product Installation Instructions

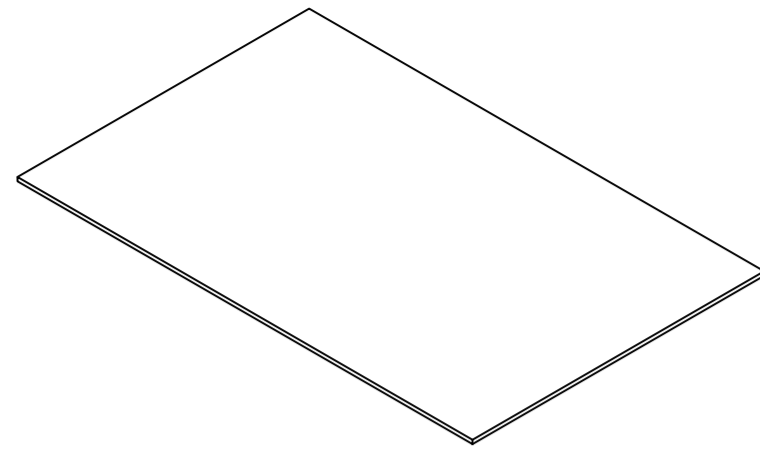




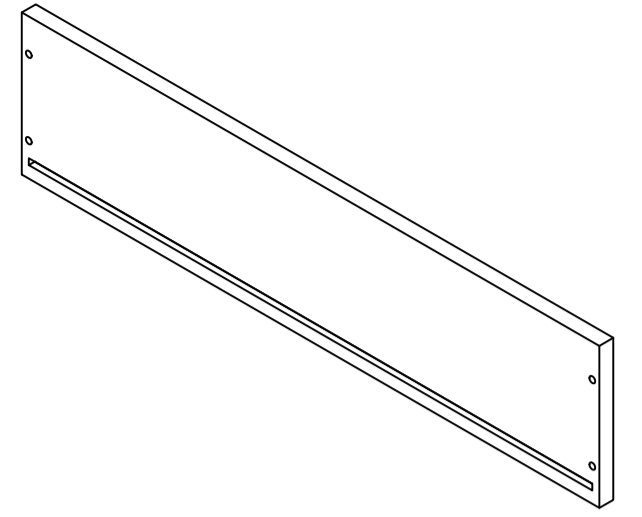
Ax2



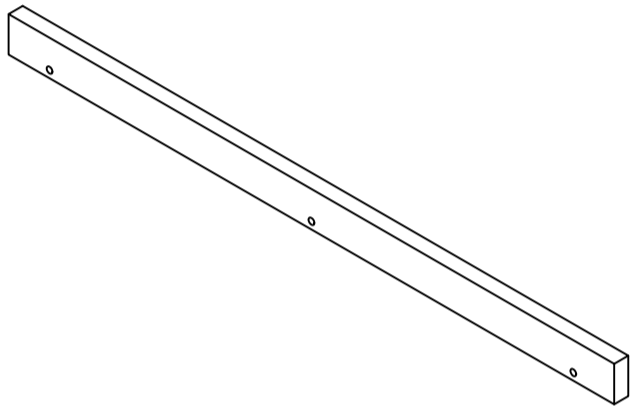
Bx4



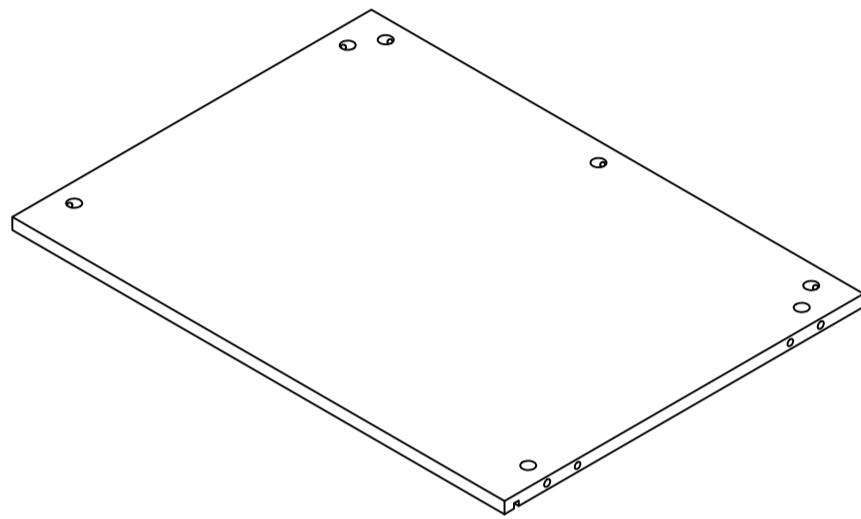
Cx2



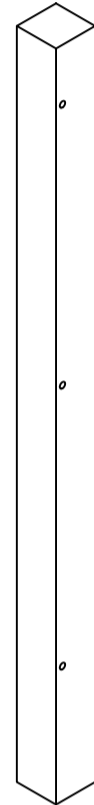
Dx2



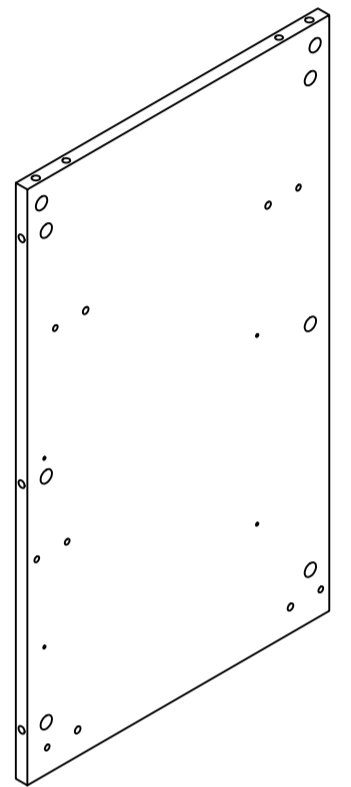
Ex2



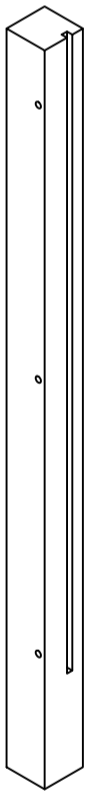
Fx1



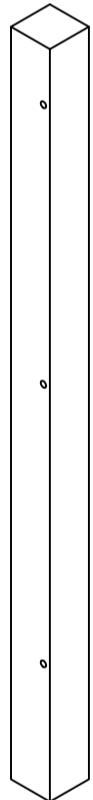
Gx1



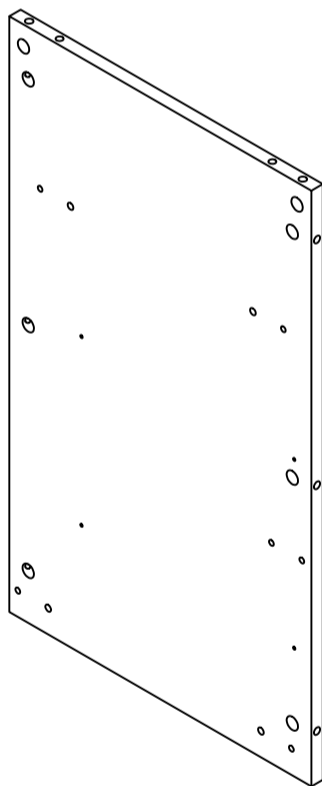
Hx1



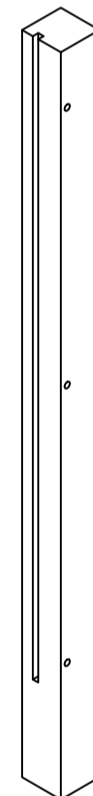
Ix1



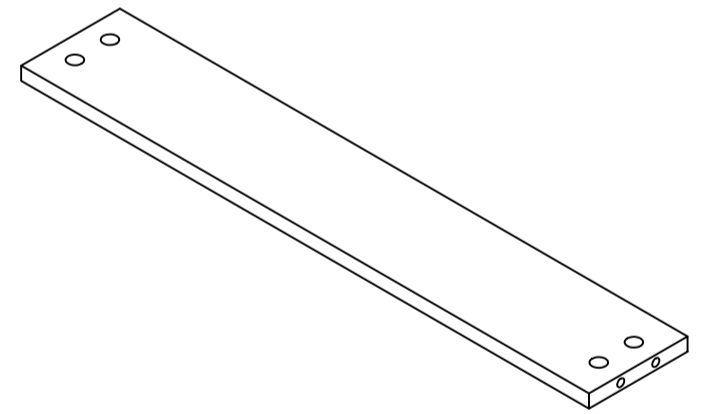
Jx1



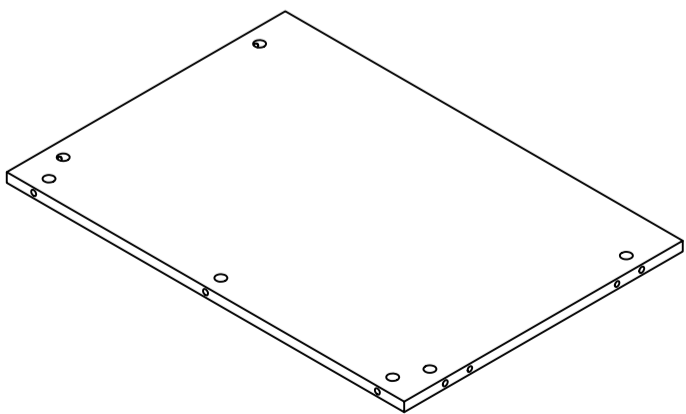
Kx1



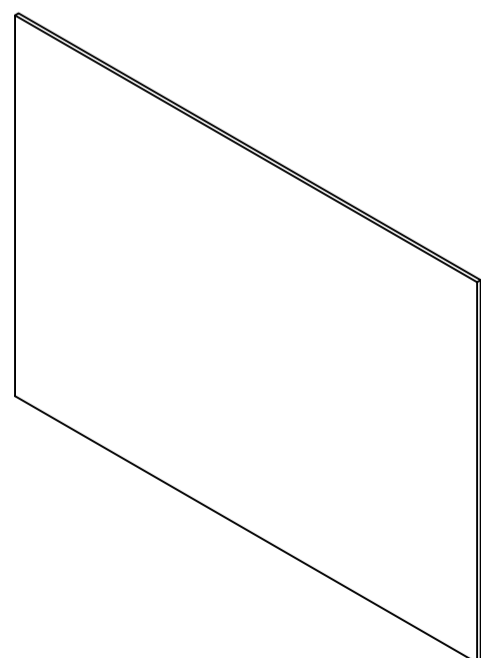
Lx1



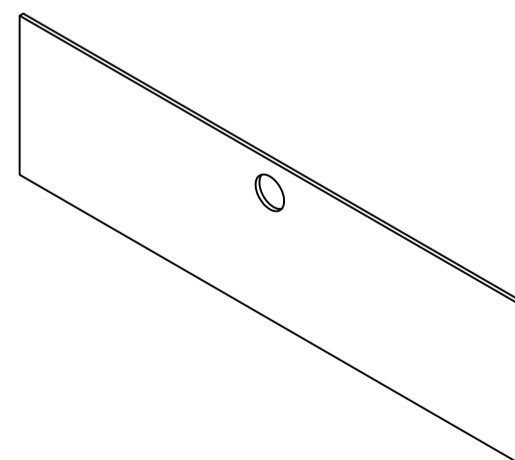
Mx1



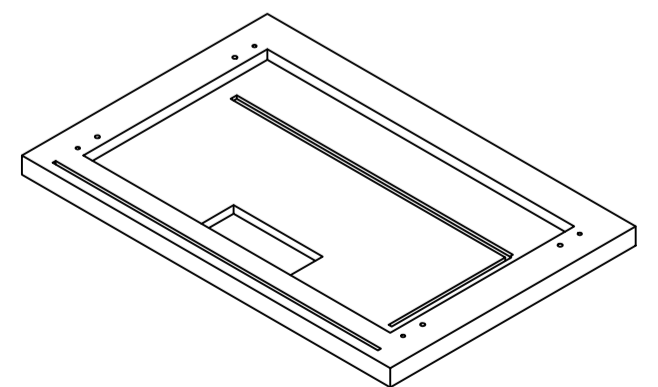
Nx1



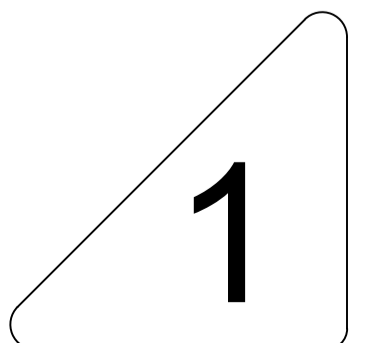
Ox1



Px1

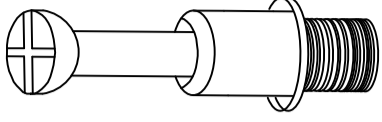
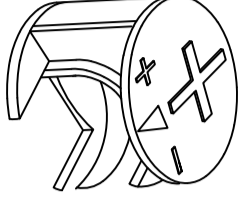
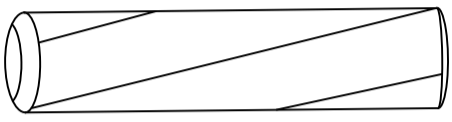
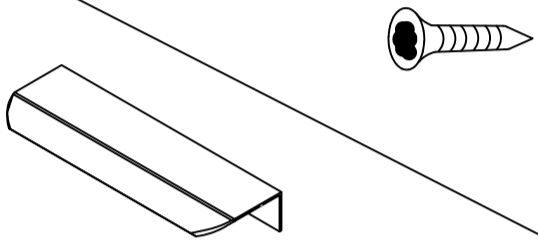
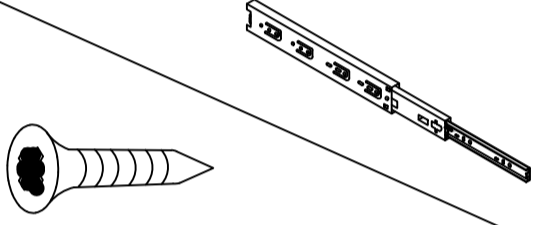
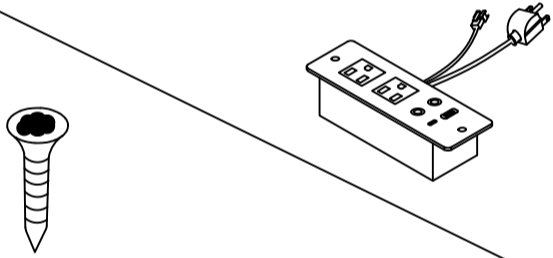


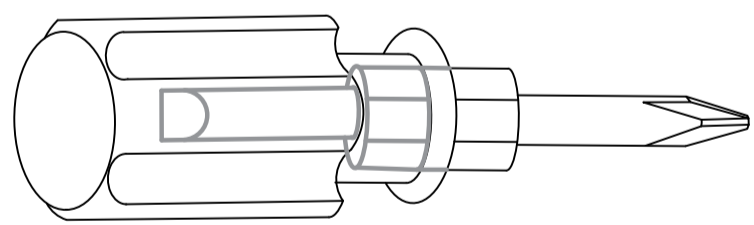
Qx1



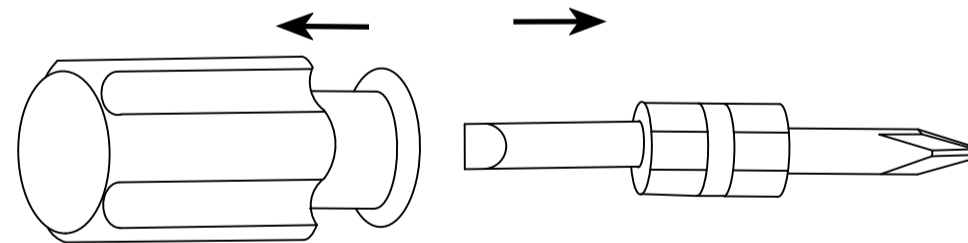
1

Accessories list

①		<p>Two In One Screw (6x28mm)</p>	<p>50pcs +5pcs</p>
②		<p>Two In One Nut (10x12mm)</p>	<p>50pcs +5pcs</p>
③		<p>Wood Chipping (6x30mm)</p>	<p>12pcs +2pcs</p>
④		<p>Handle & Screw (3x12mm)</p>	<p>4pcs +2pcs 2pcs</p>
⑤		<p>Screw & Guide (12 inch) (3x12mm)</p>	<p>4pcs 20pcs +2pcs</p>
⑥		<p>Non-slip pads (36x36x2mm)</p>	<p>4pcs +2pcs</p>
⑦		<p>Power Socket & Screw (3x10mm)</p>	<p>1pcs 2pcs +1pcs</p>
⑧		<p>Fixing Clip & Screw (3x16mm)</p>	<p>6pcs +2pcs</p>

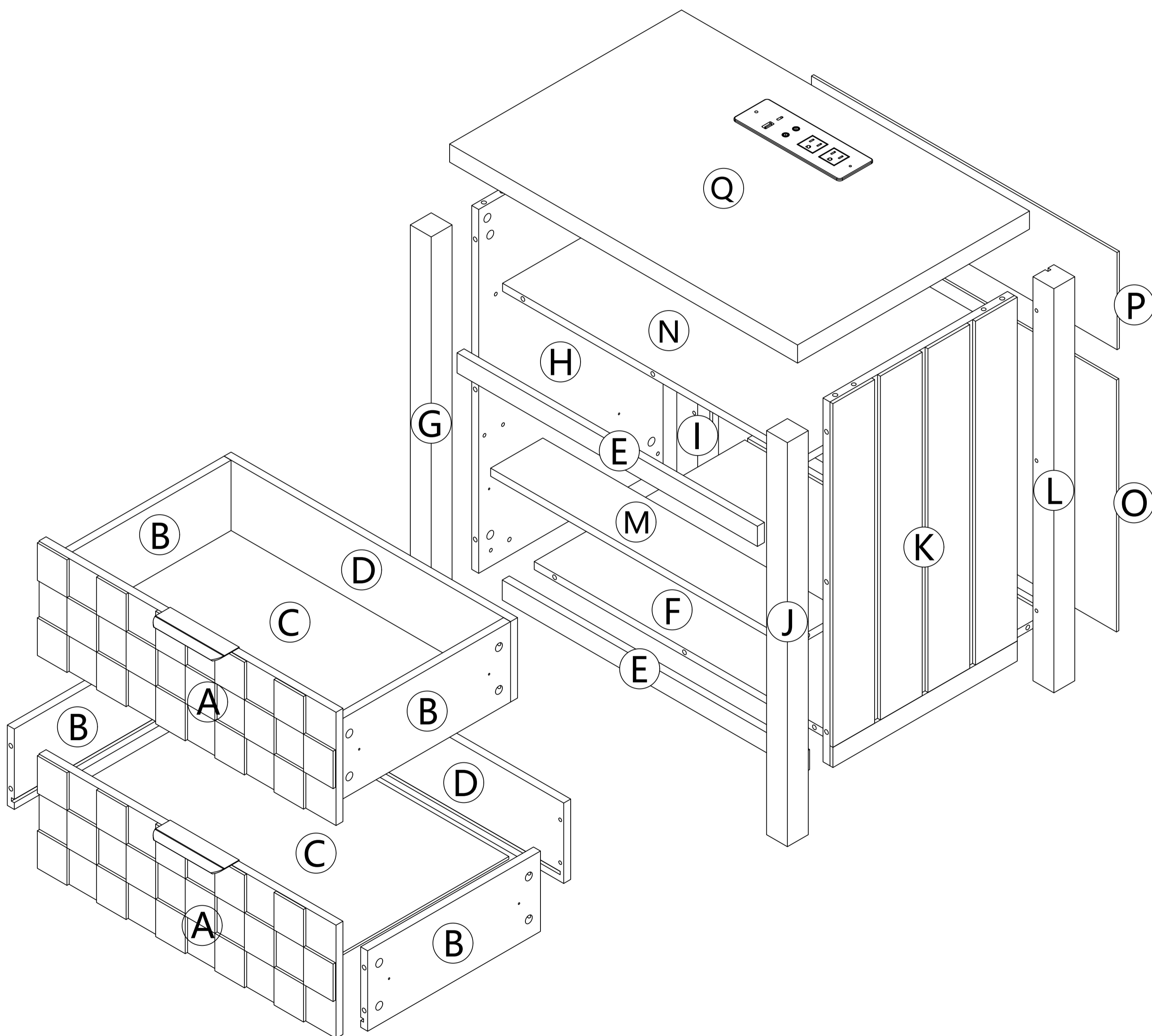


1pcs

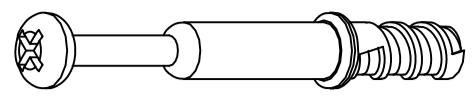


Double-head screwdriver, use as required

Product structure decomposition

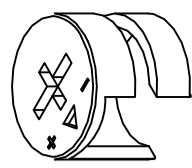


1



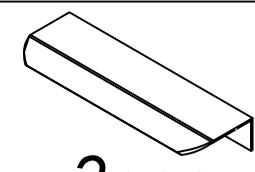
16pcs

2



16pcs

4

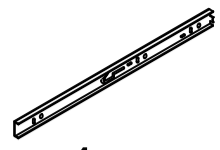


2pcs



4pcs

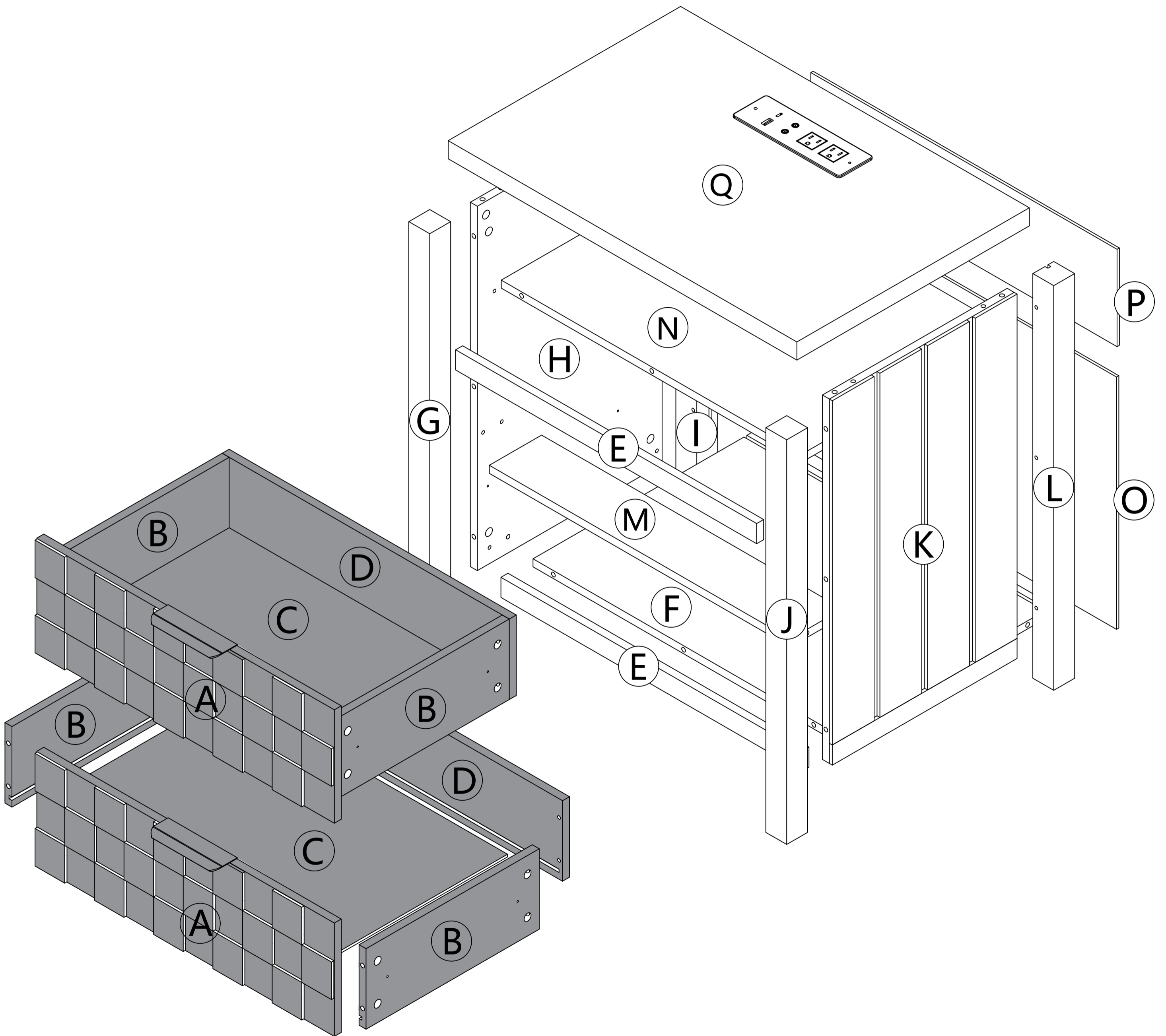
5



4pcs

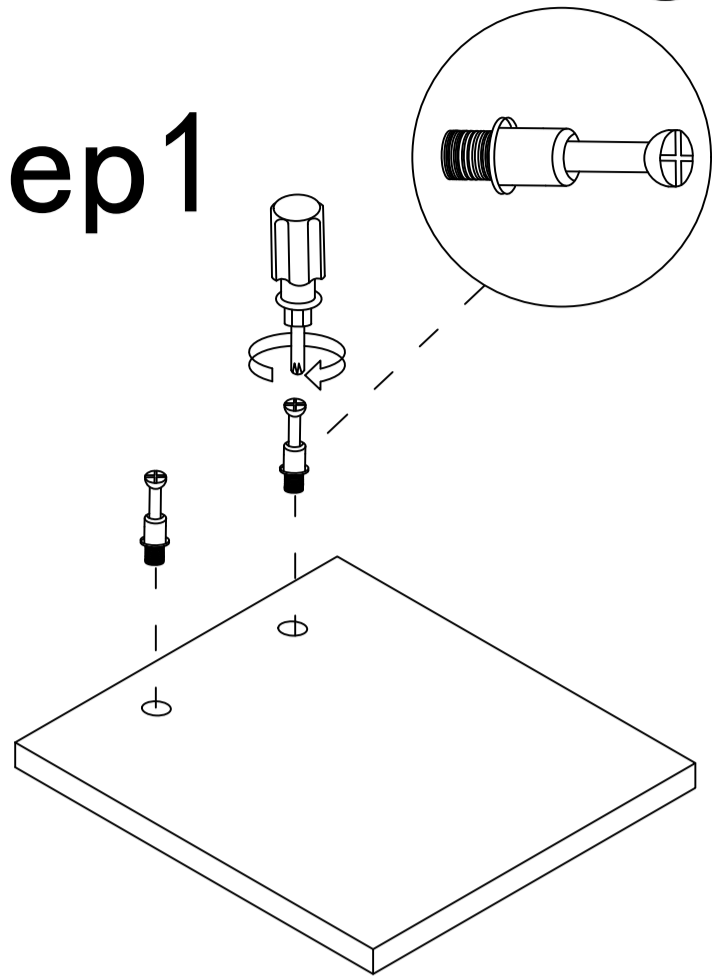


8pcs

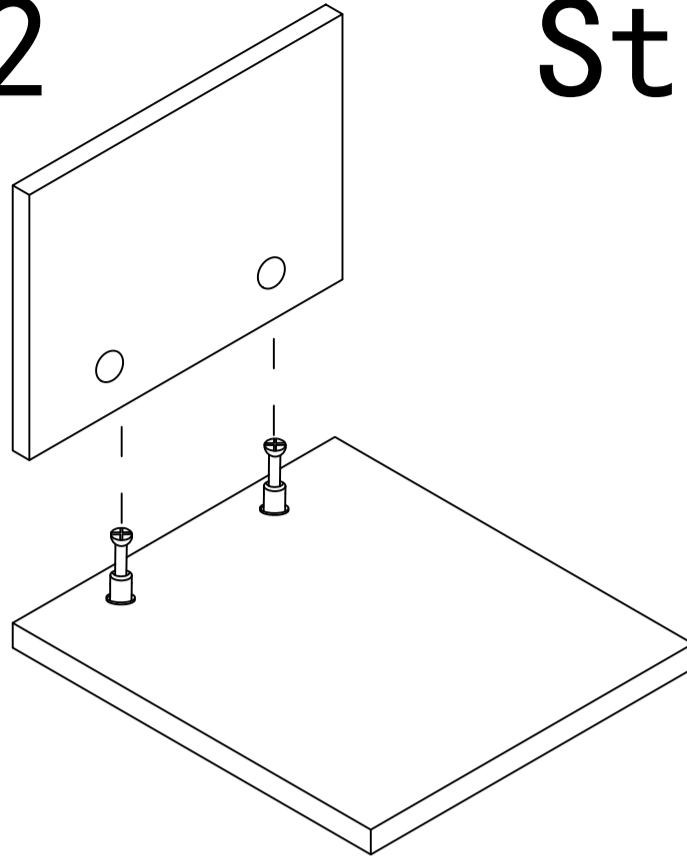


Use parts ① and ②

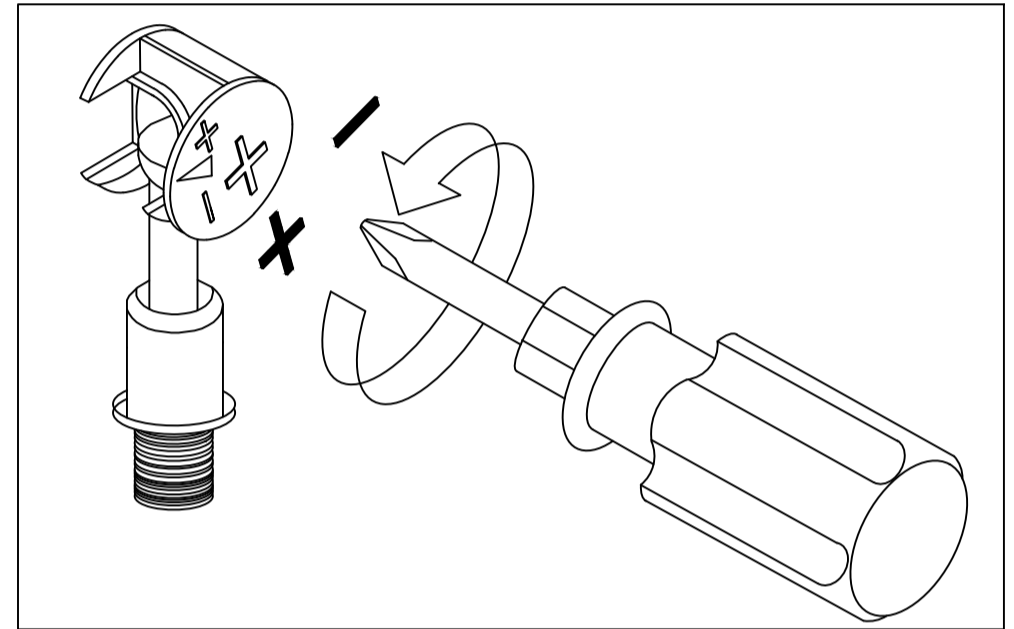
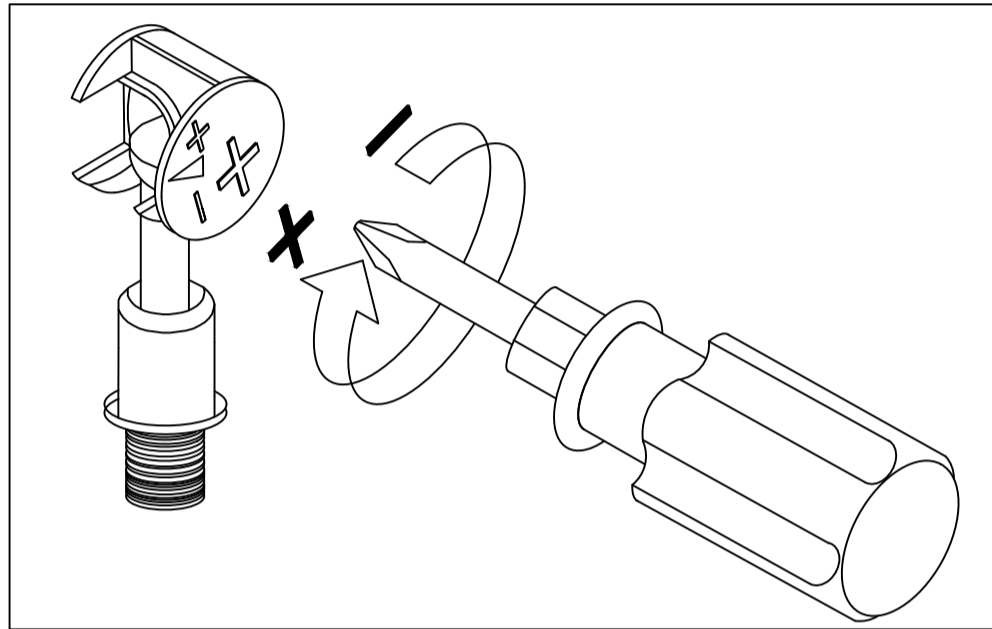
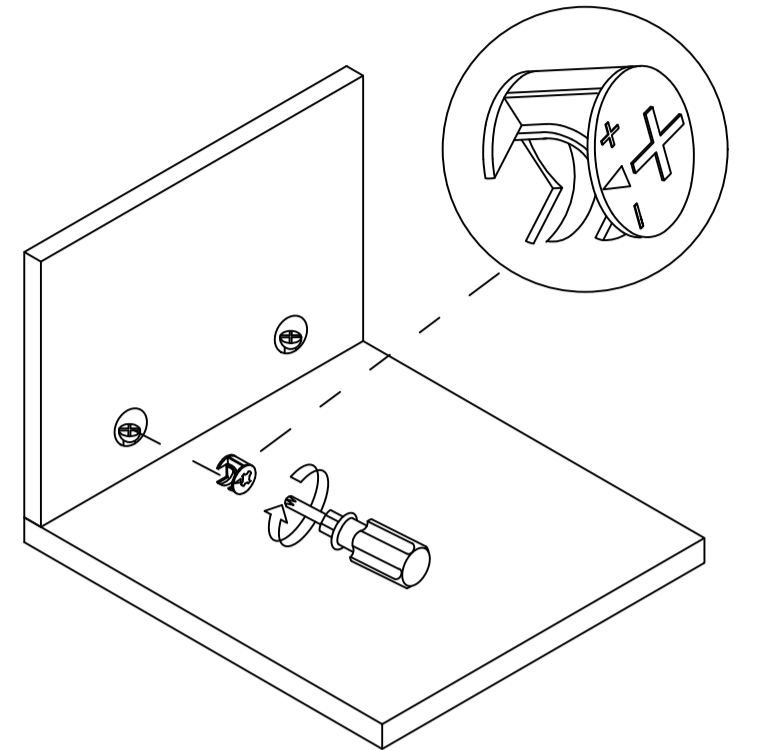
Step 1



Step 2



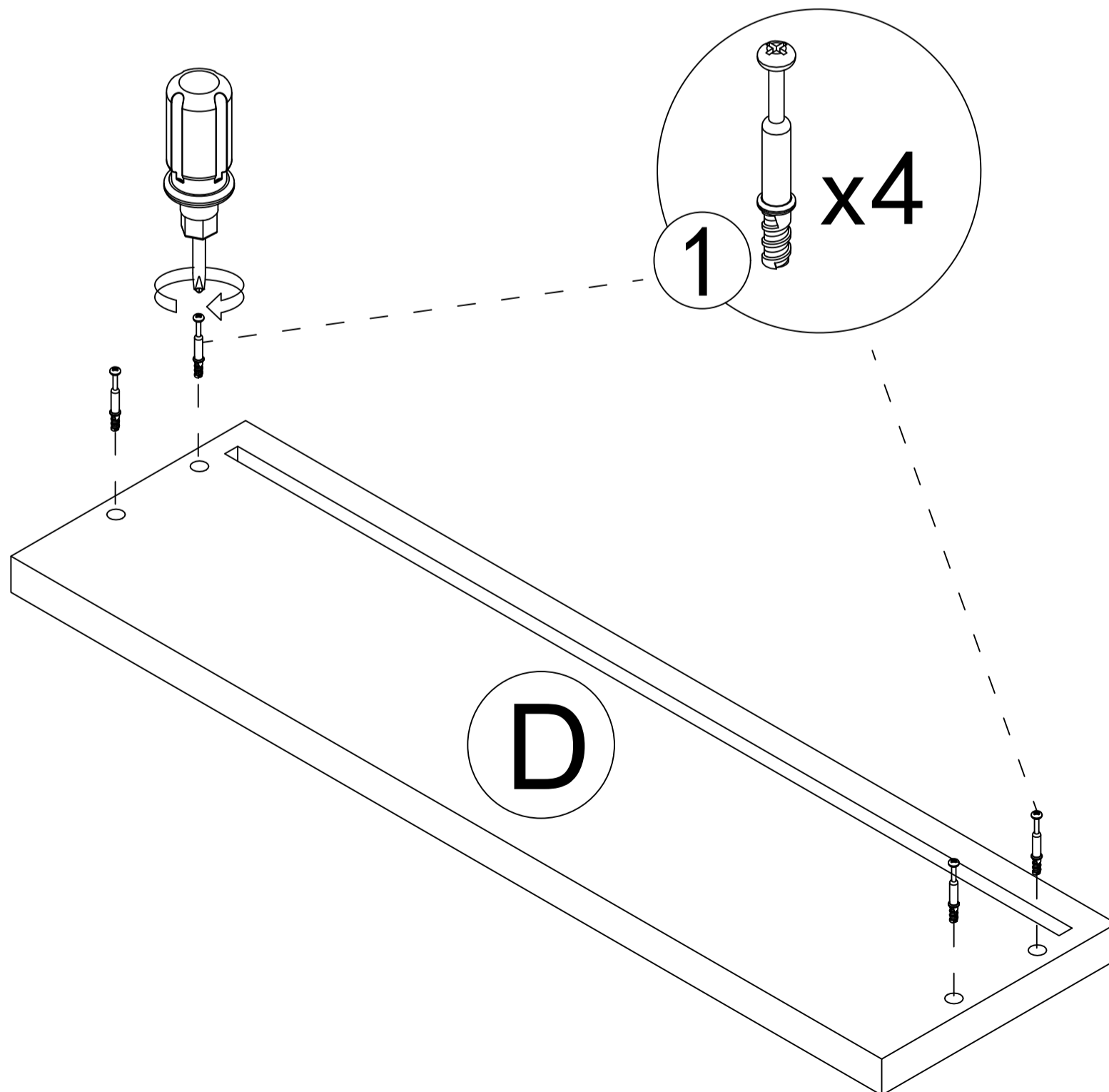
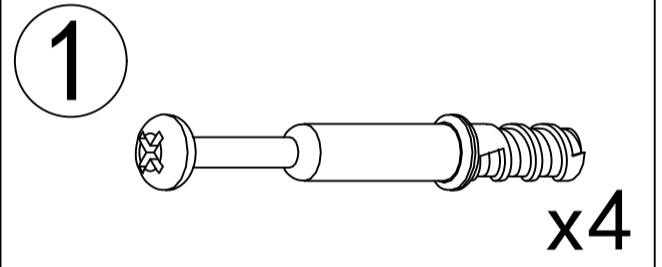
Step 3



Use a screwdriver to lock in the direction of the "+" sign

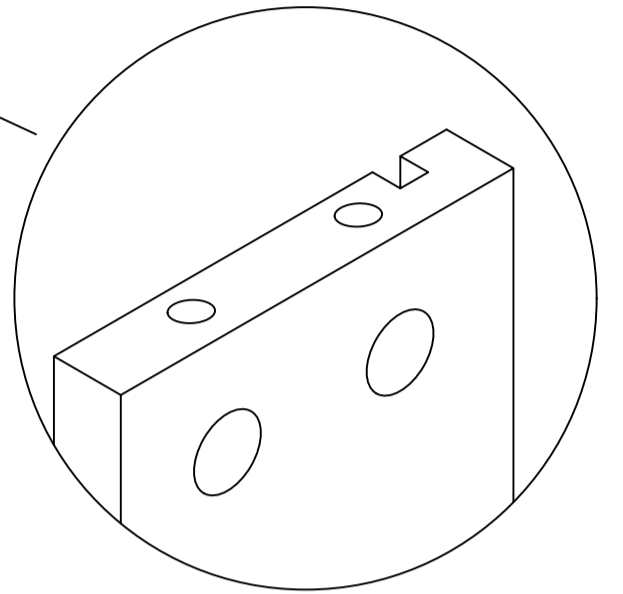
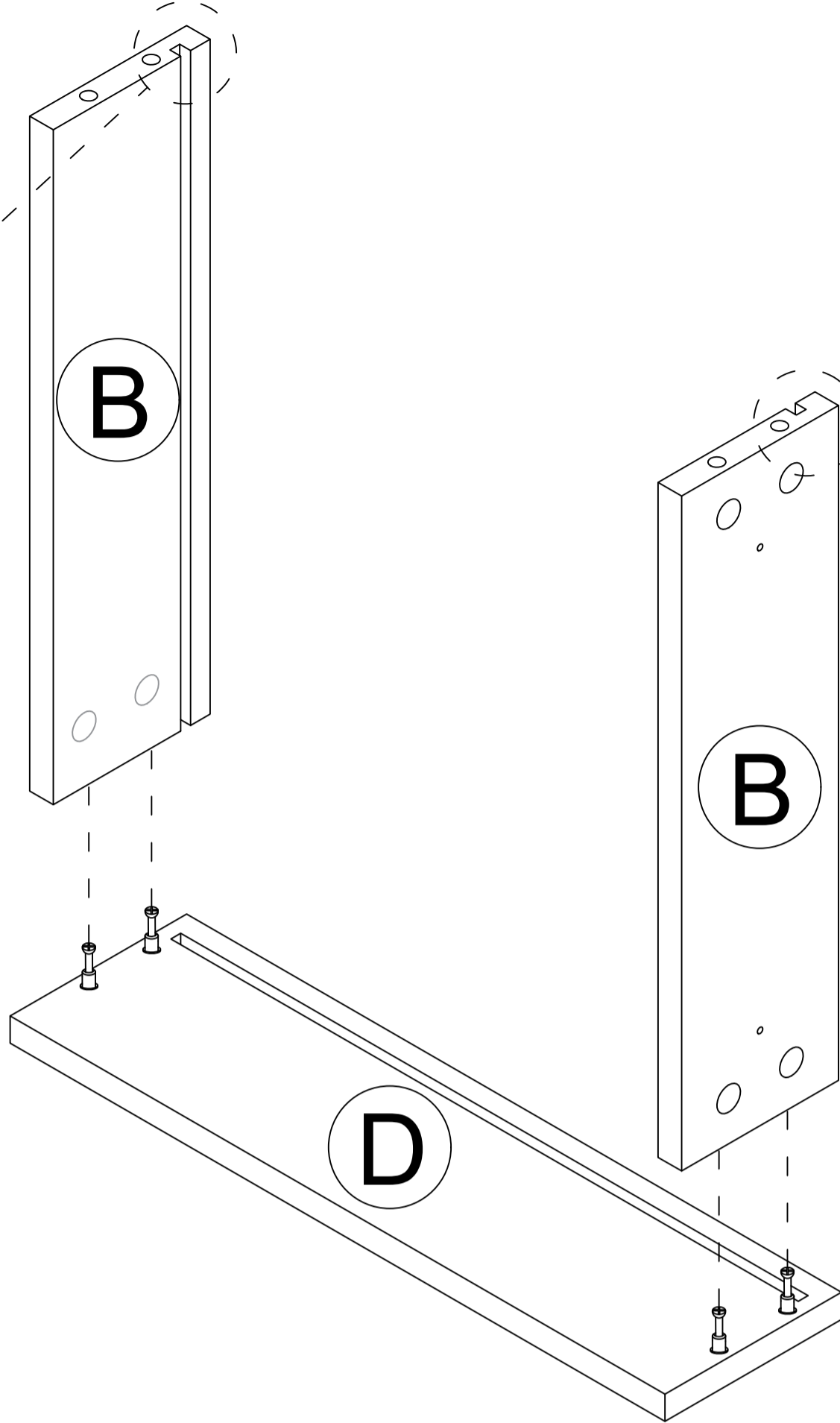
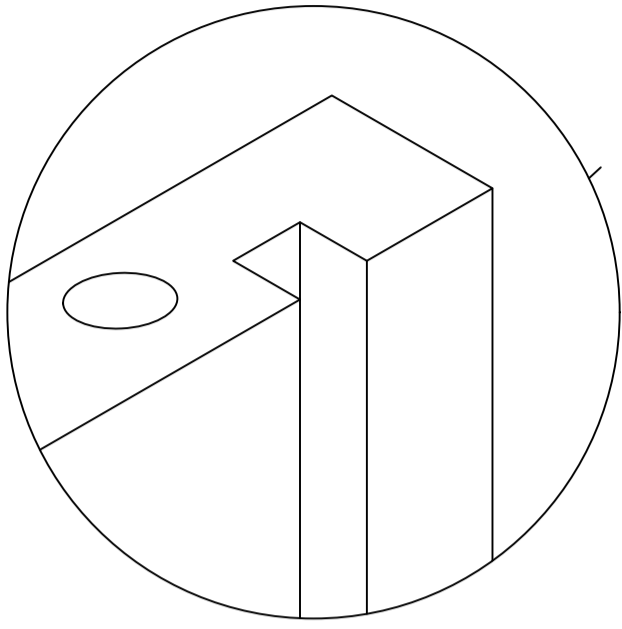
Disassemble along the direction of "-" sign

Step 1

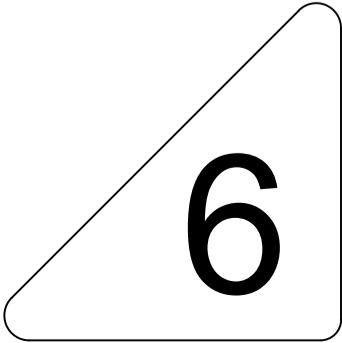
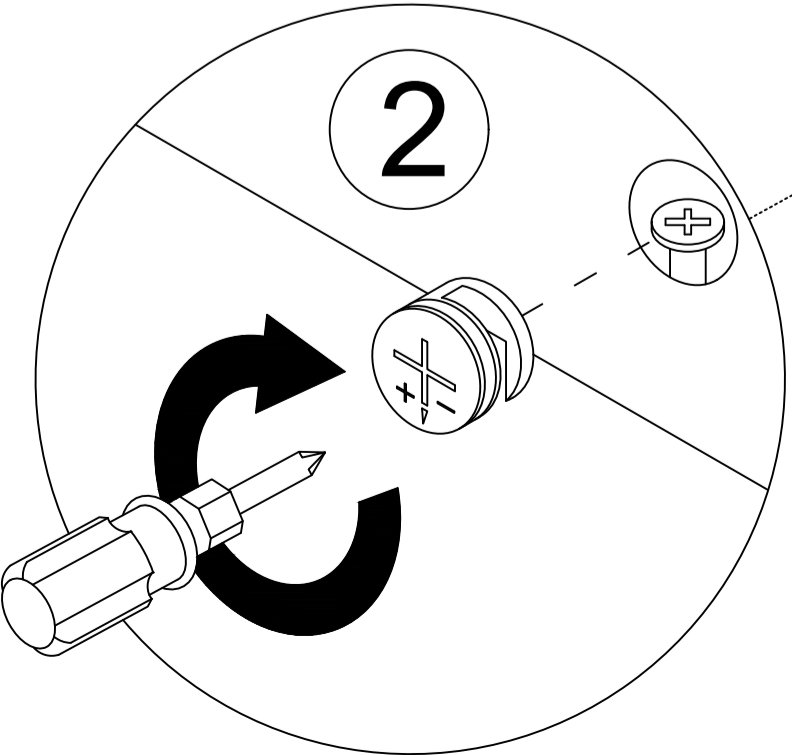
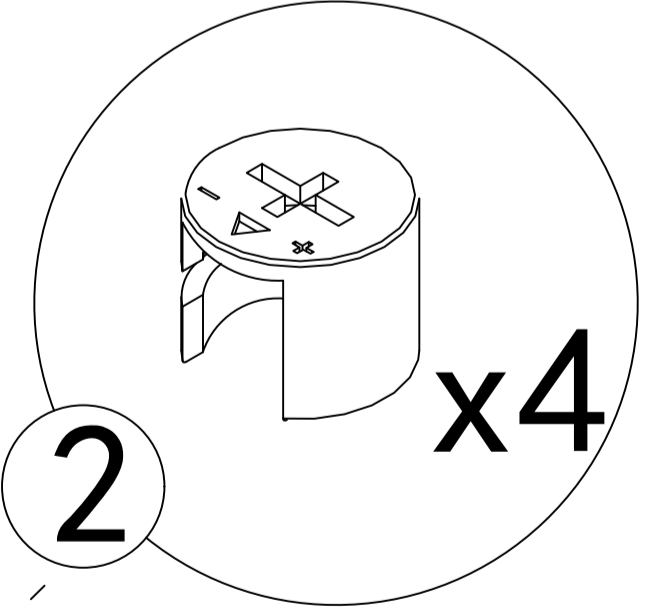
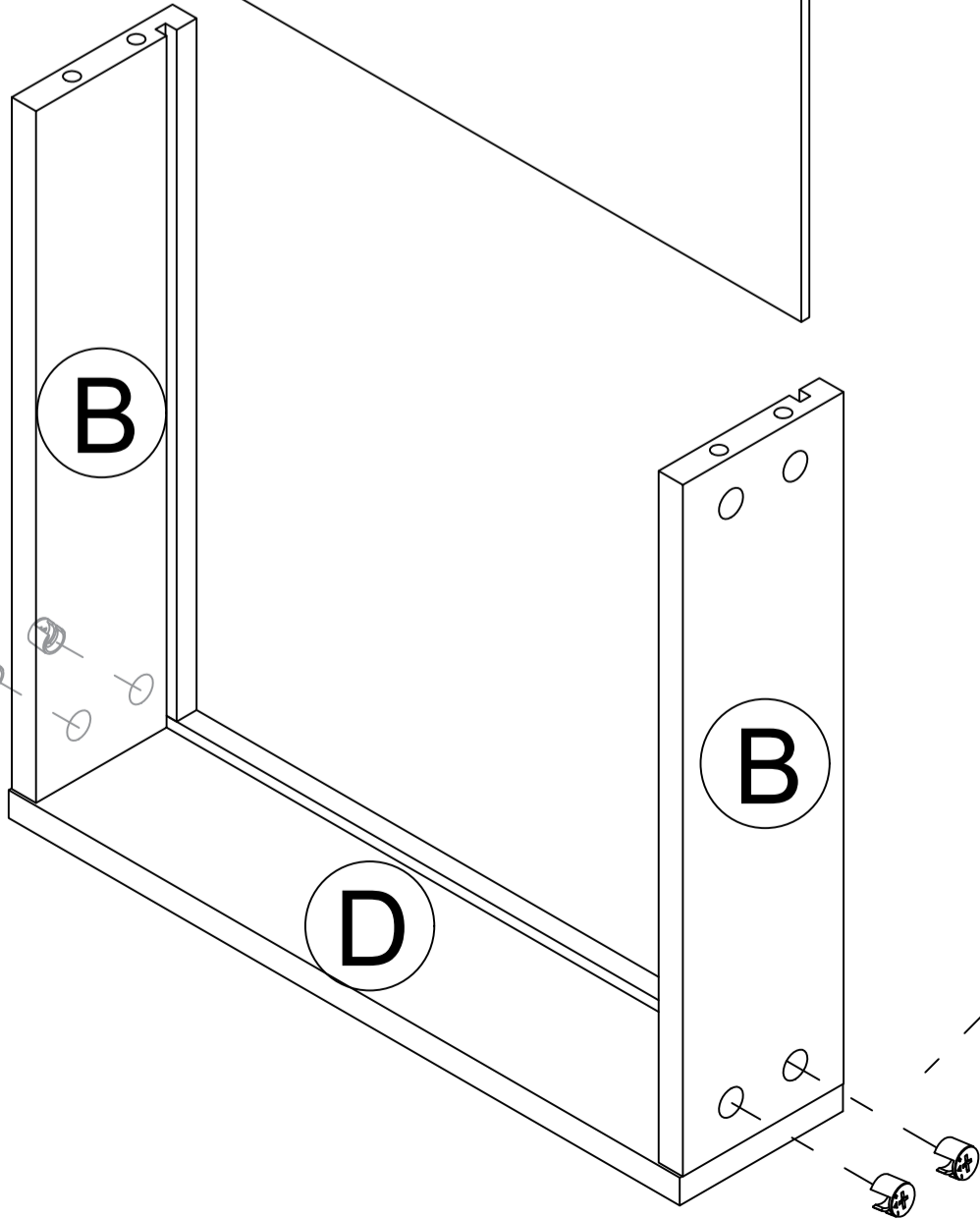
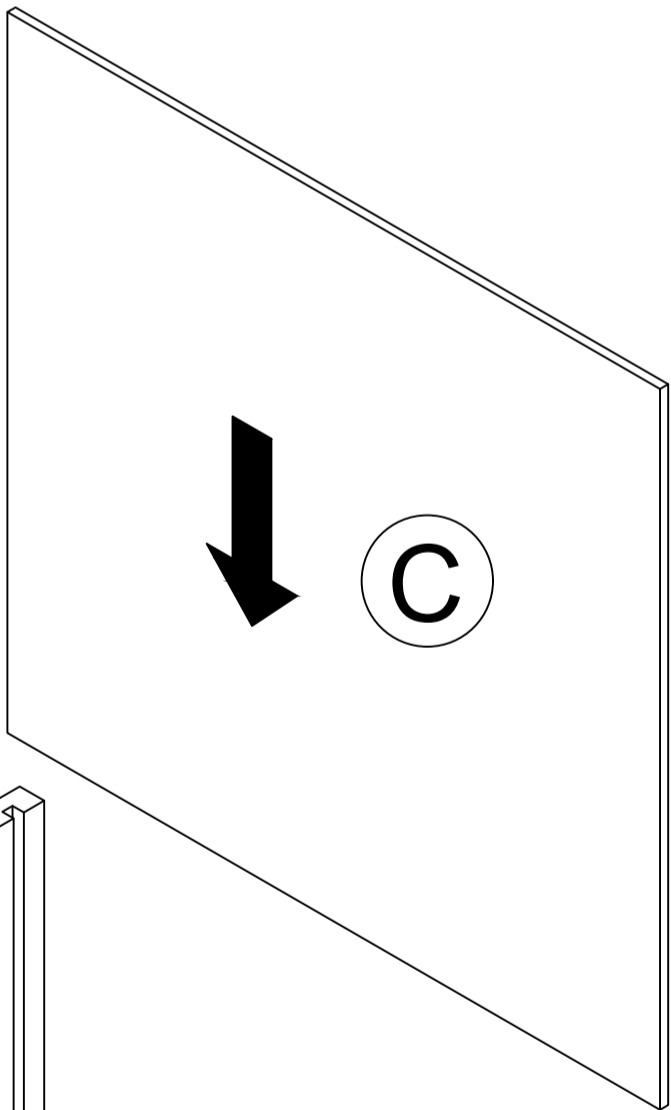
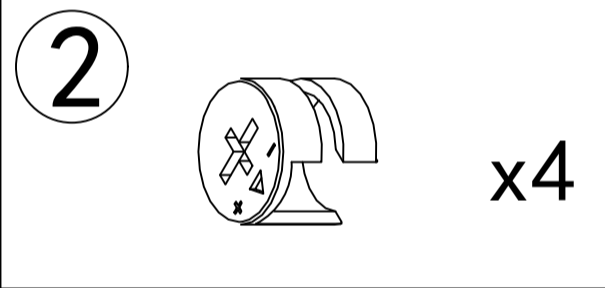


5

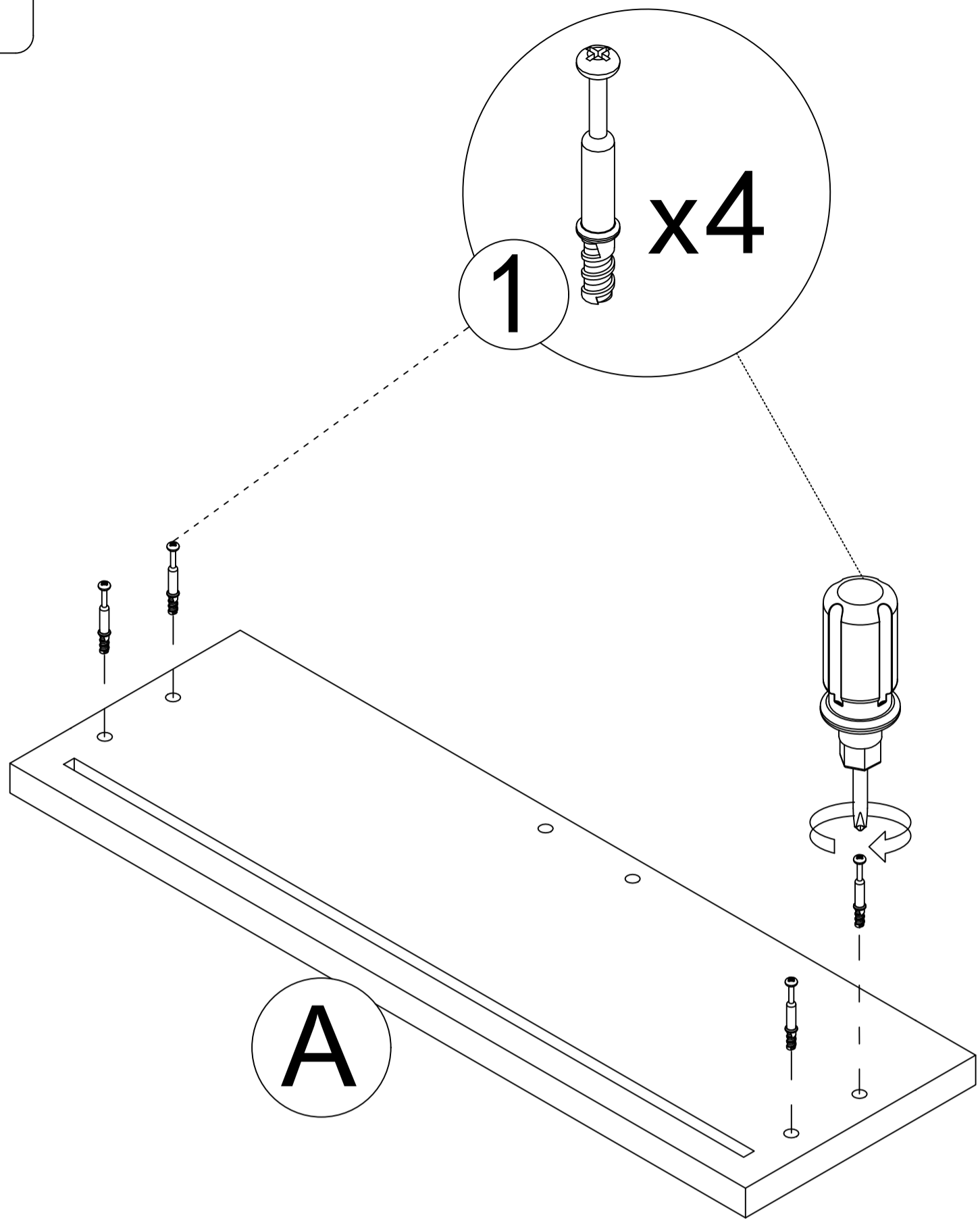
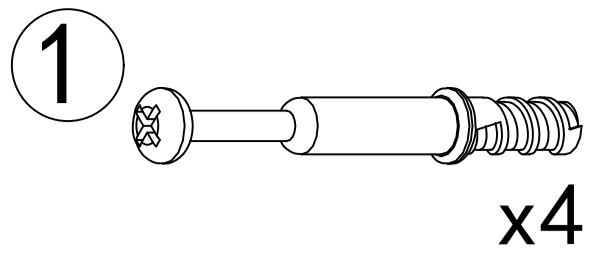
Step 2



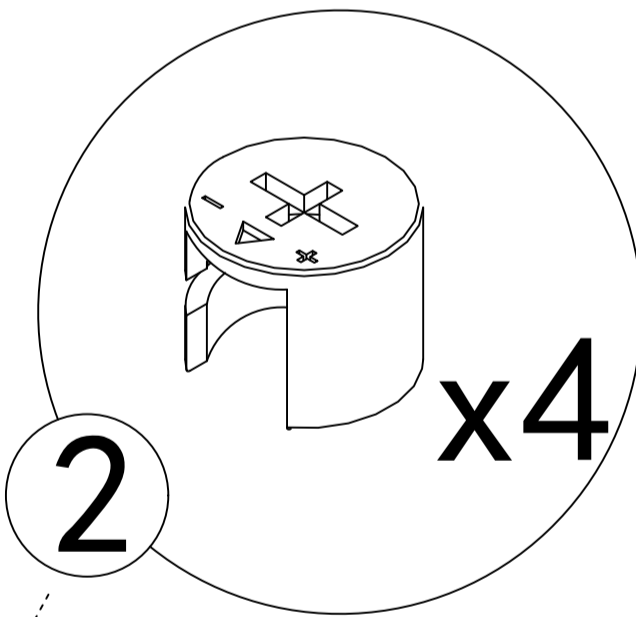
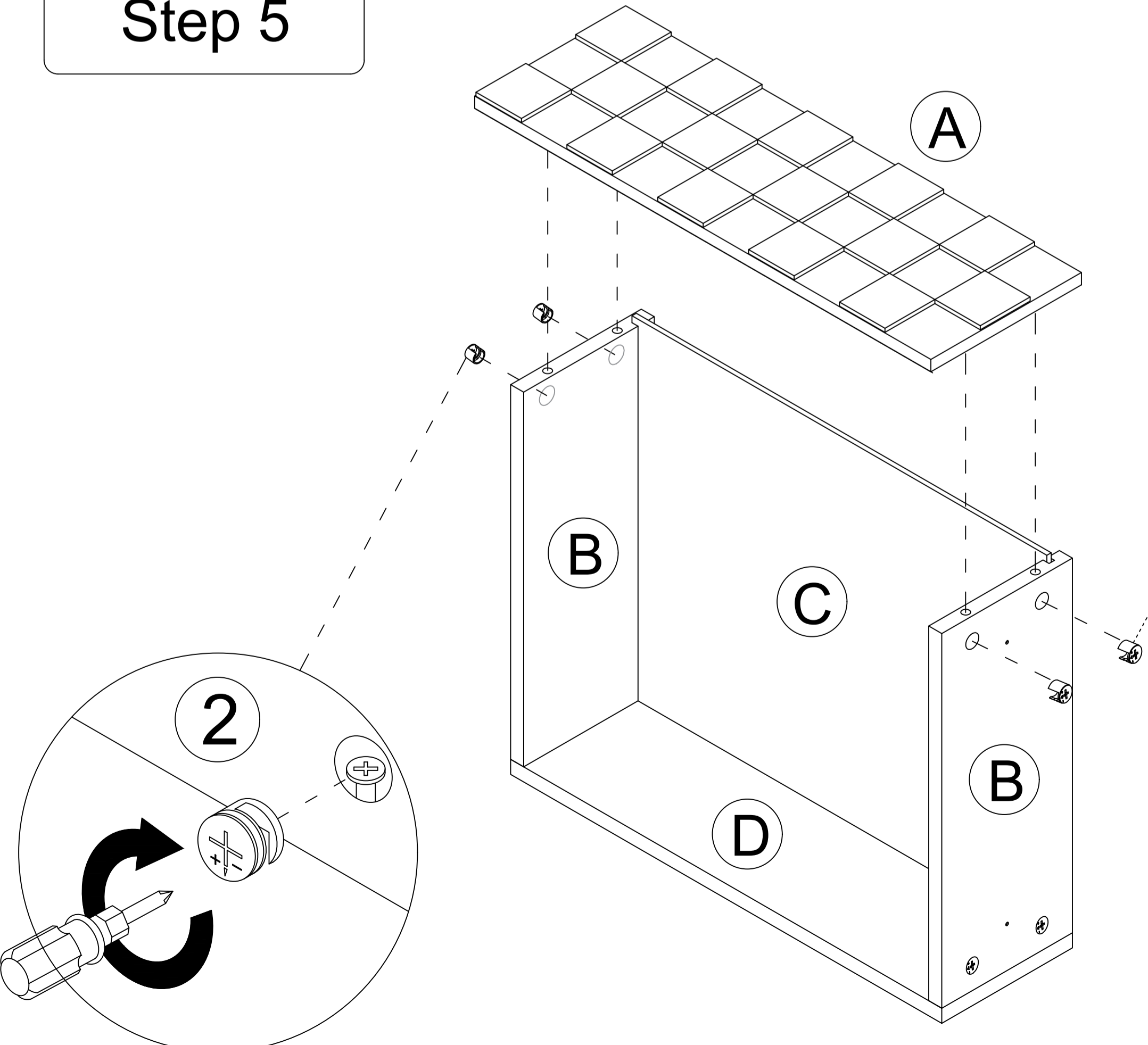
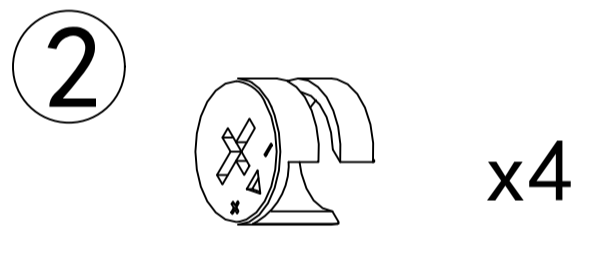
Step 3



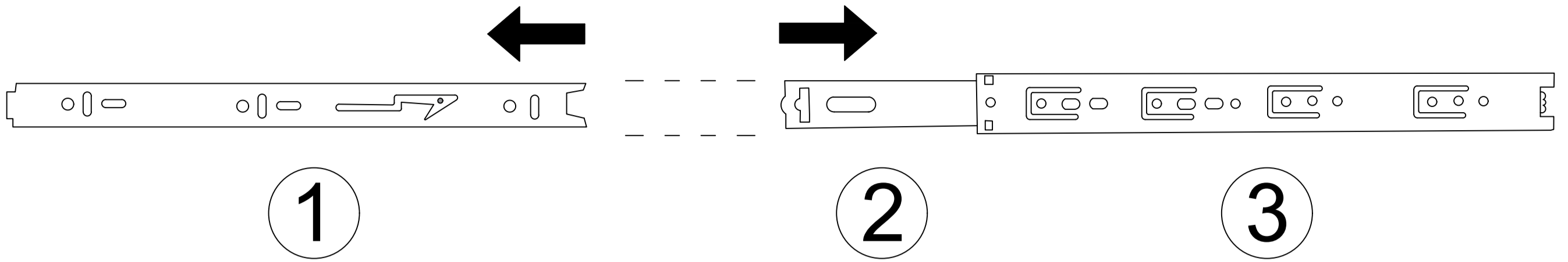
Step 4



Step 5

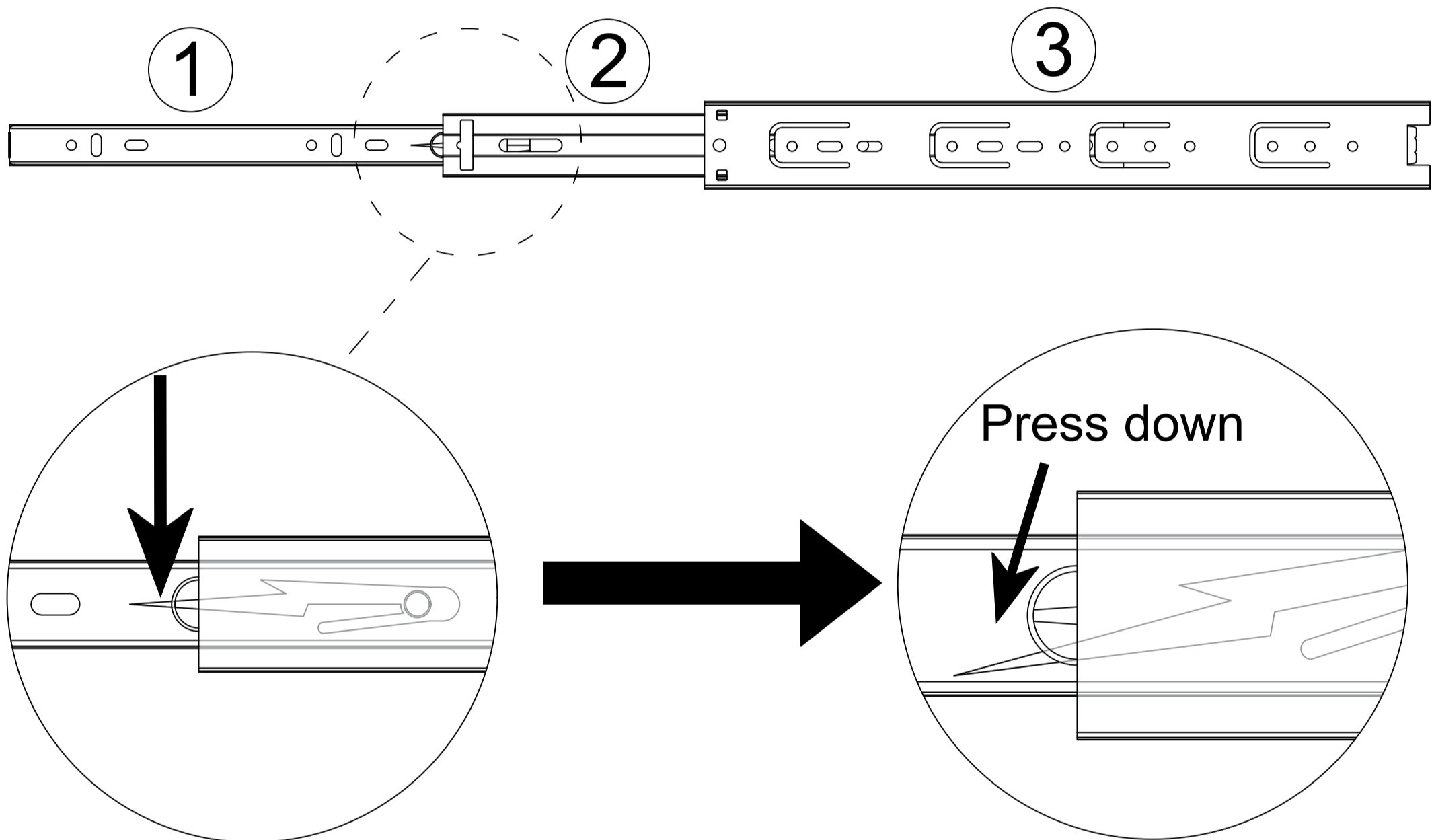


Drawer rail breakdown diagram



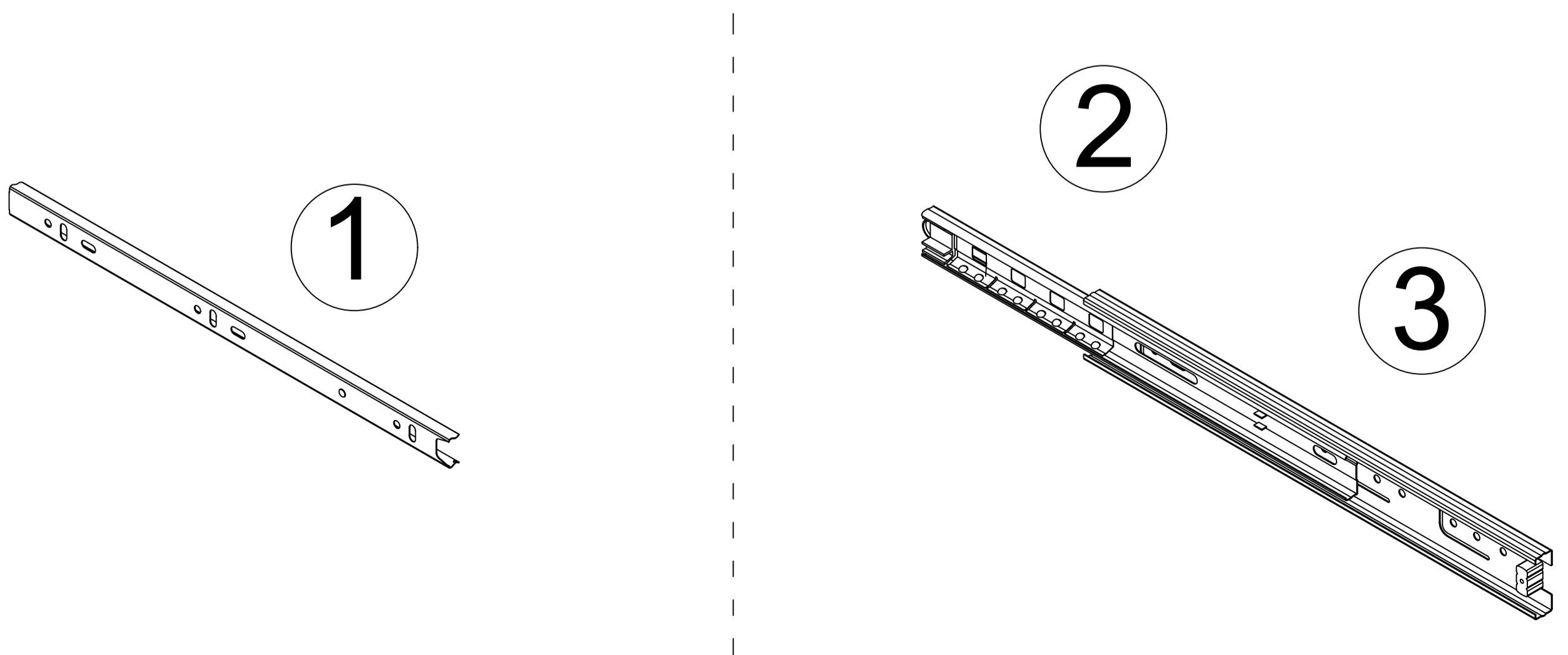
① Dismantle the schematic diagram

Step 1 : Pull the rails apart

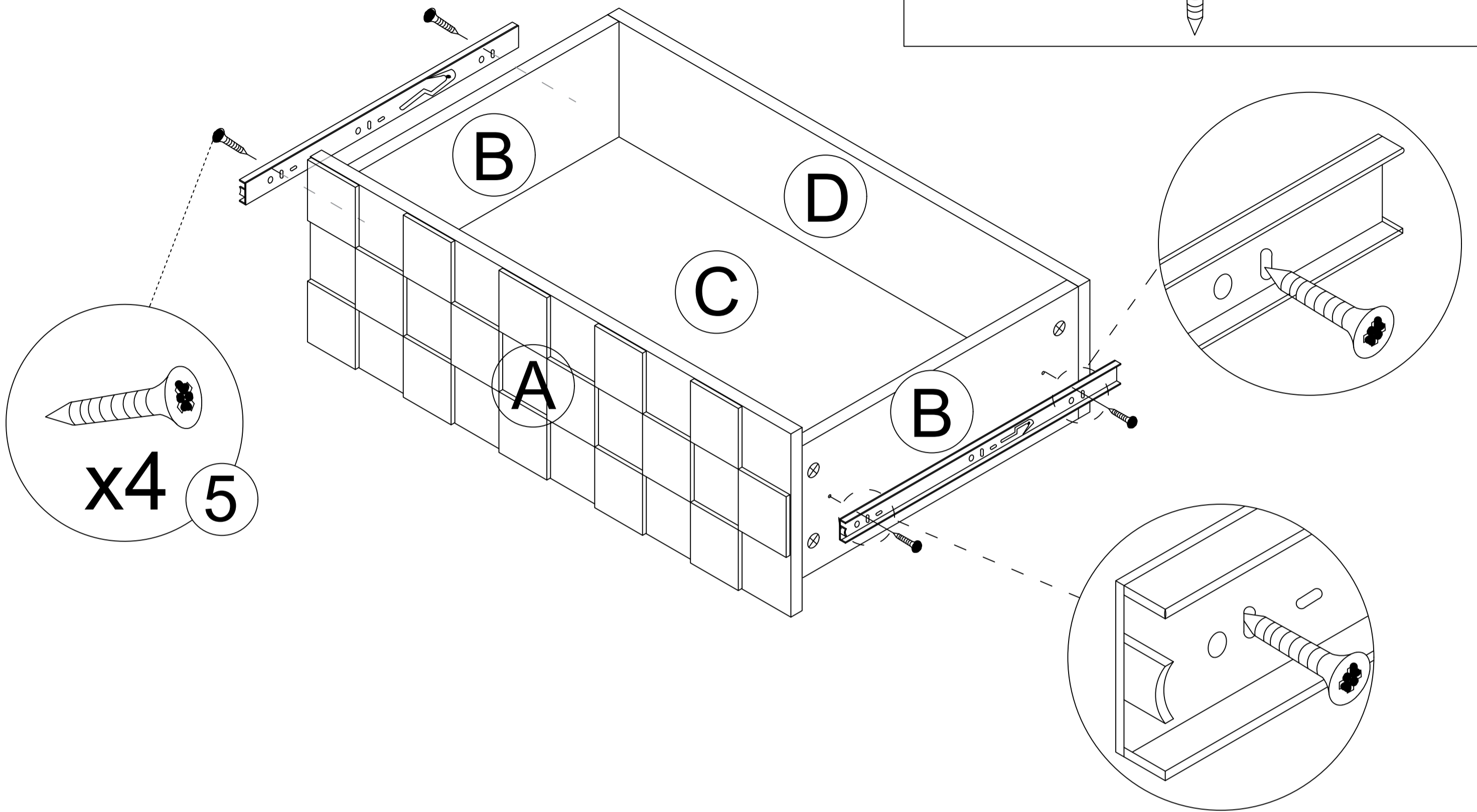
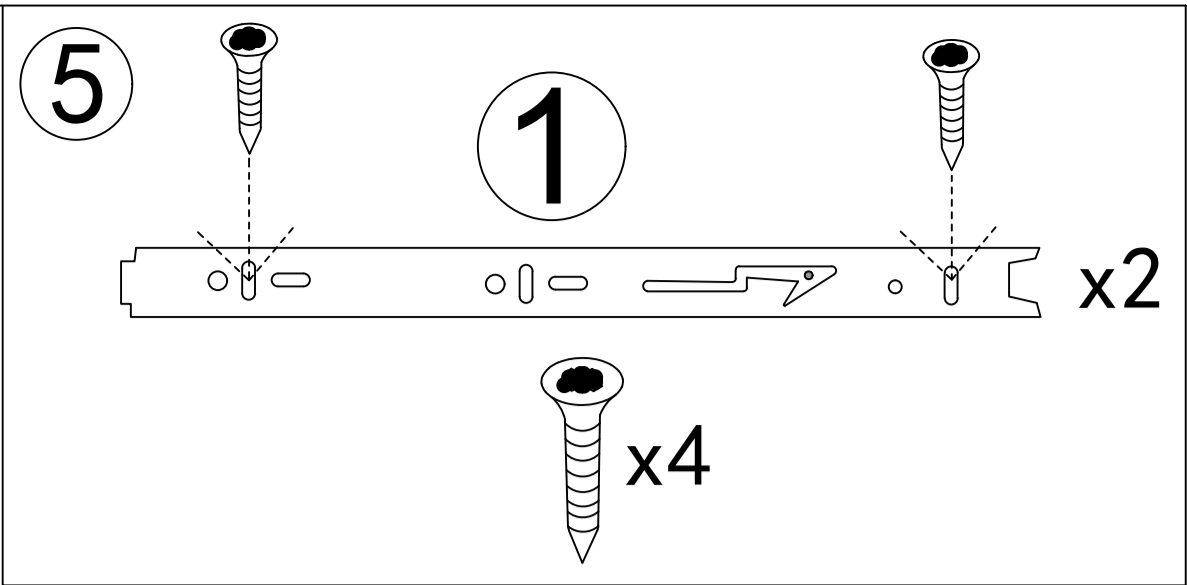


Step 2 : Press the nylon button and pull out ①.

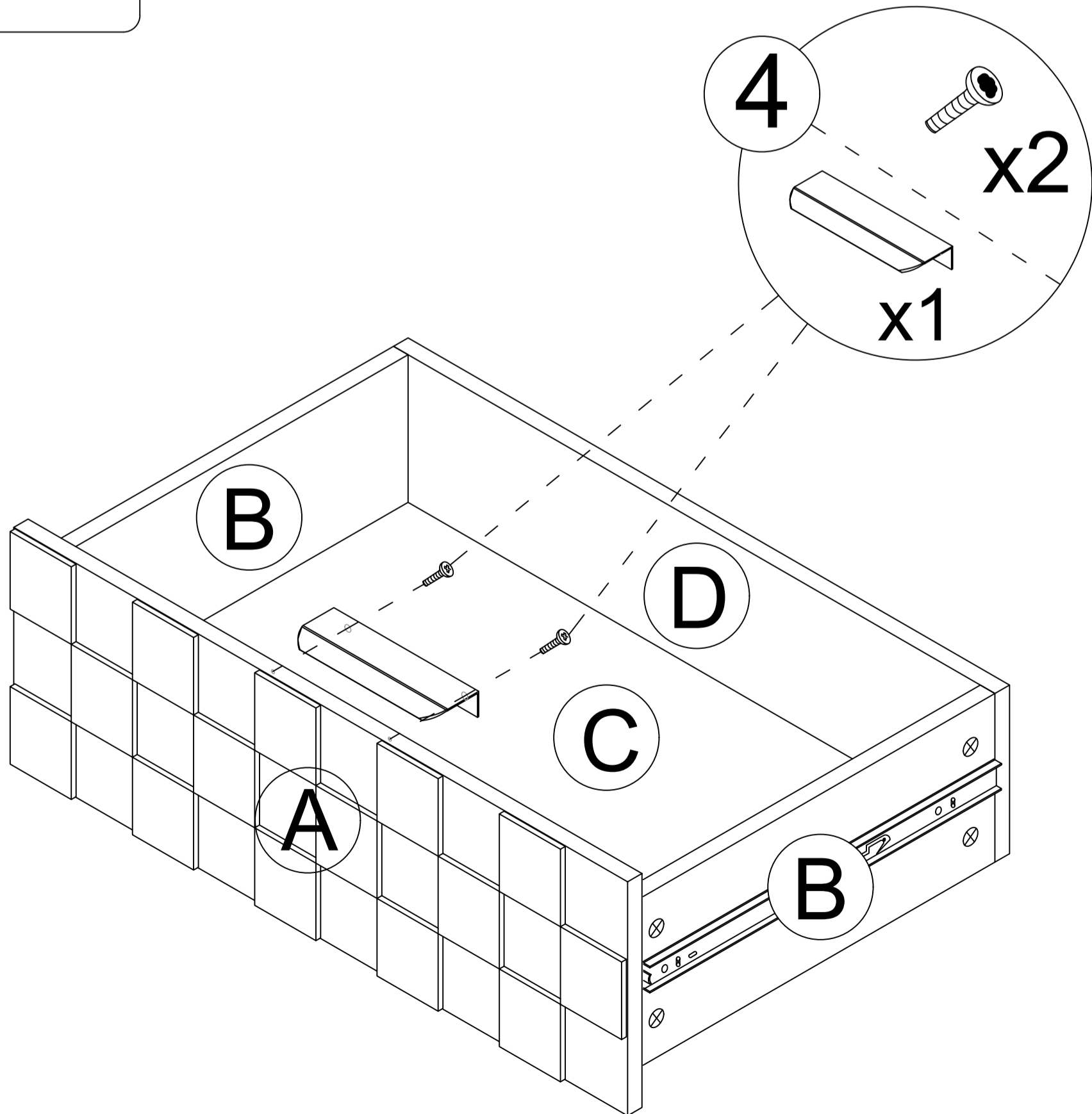
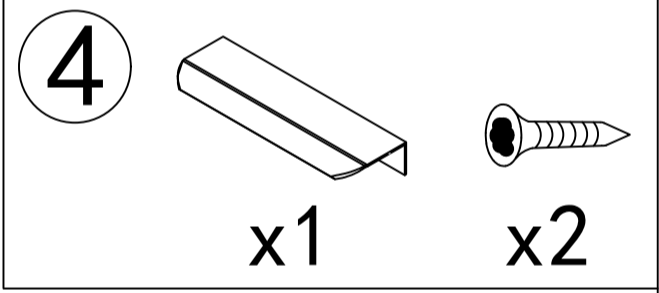
Drawer rail decomposition completed schematic diagram



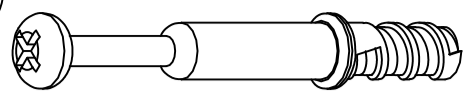
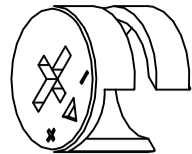
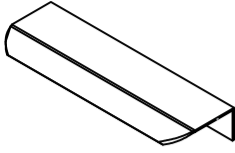
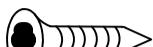
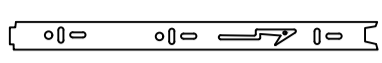
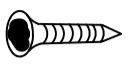
Step 6



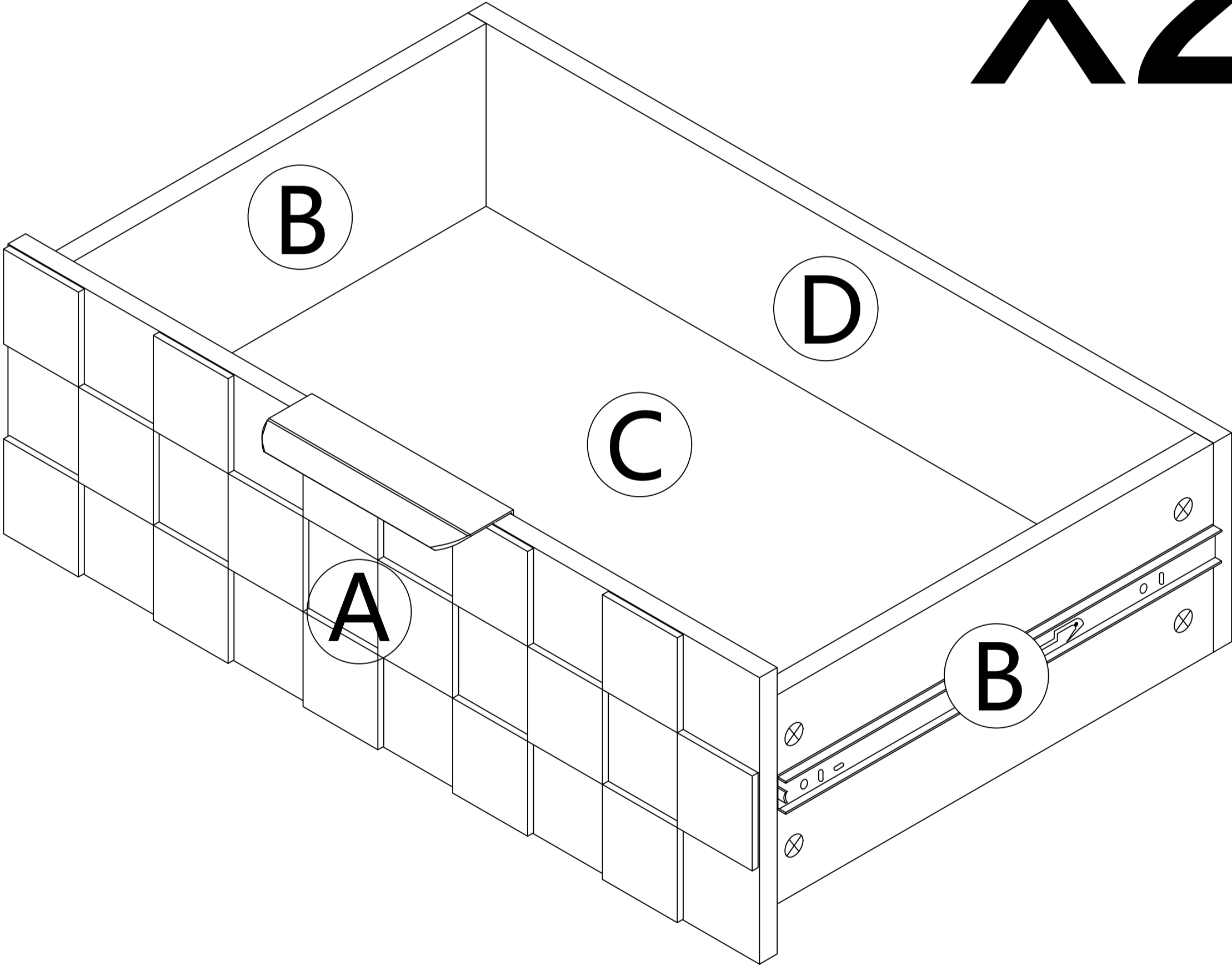
Step 7



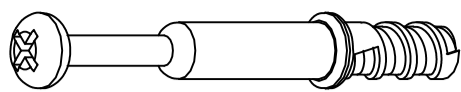
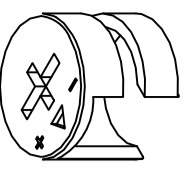

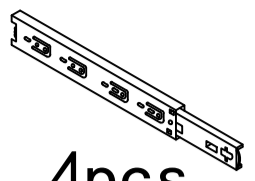

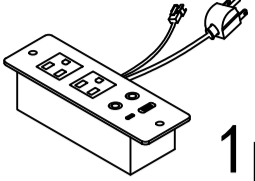
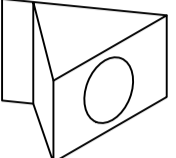

Step 8

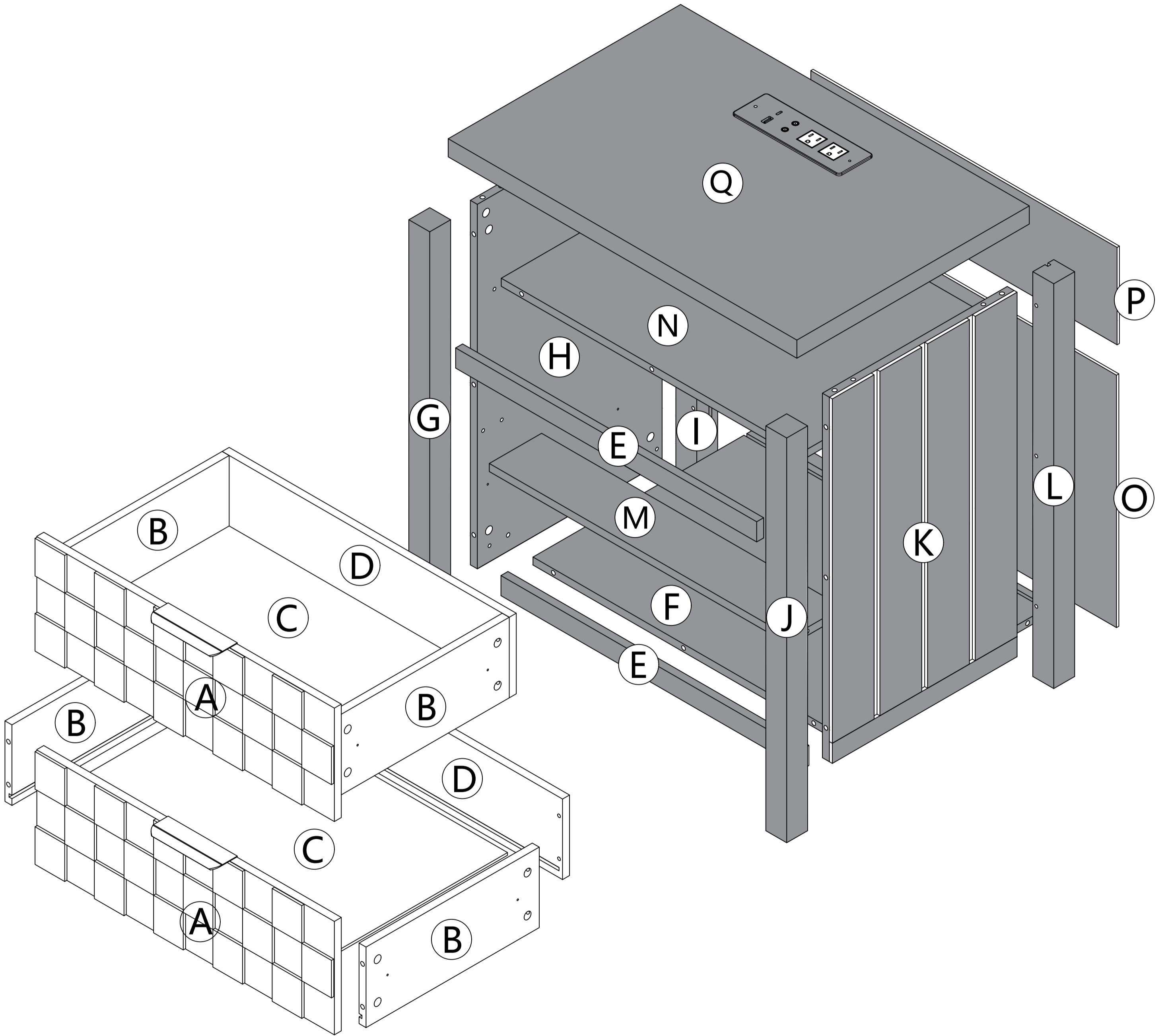
①  x8	②  x8
④  x1  x2	⑤  x2  x4

x2

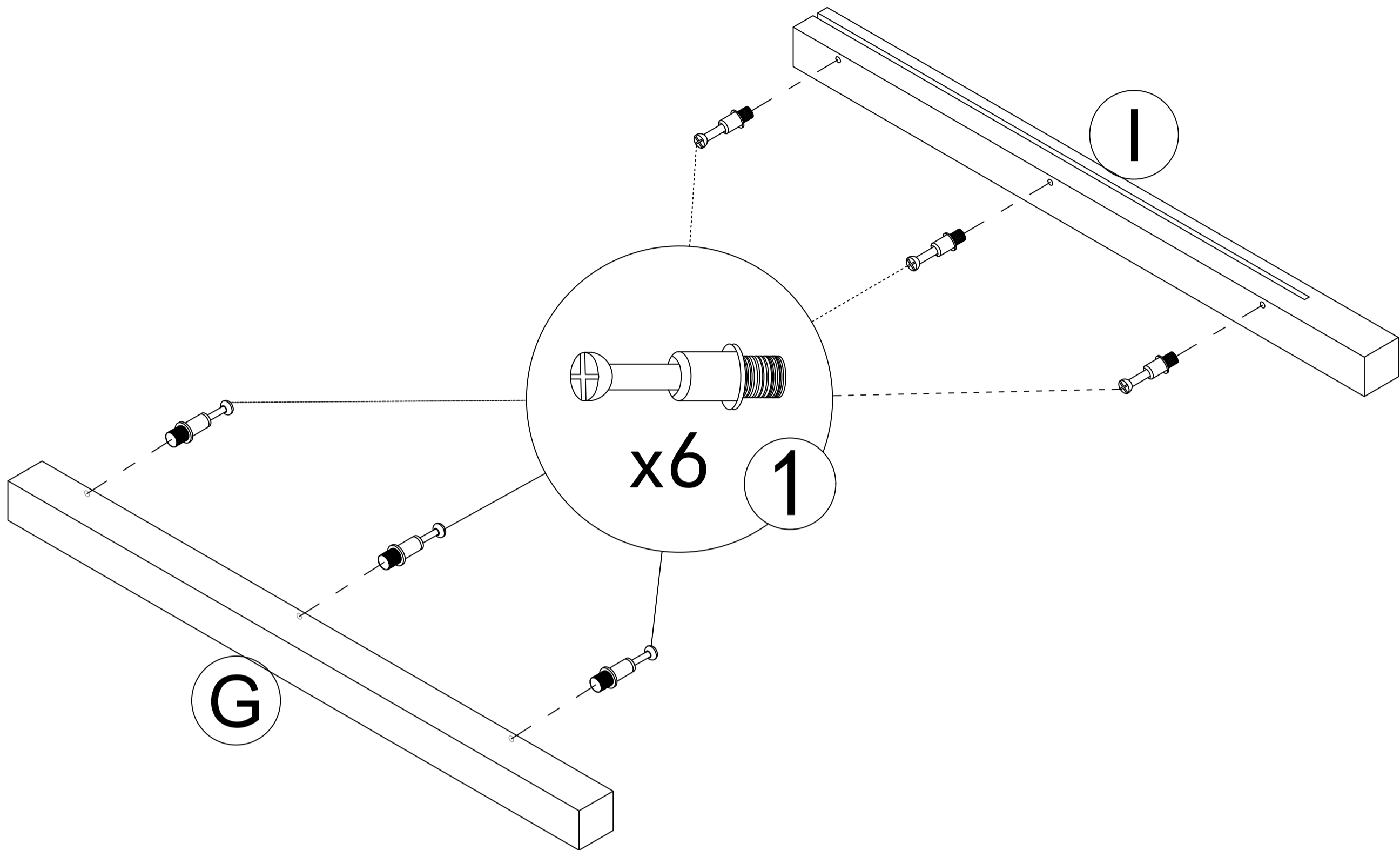
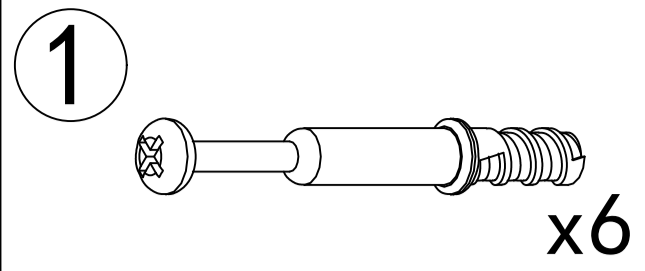


Repeat the drawer installation steps

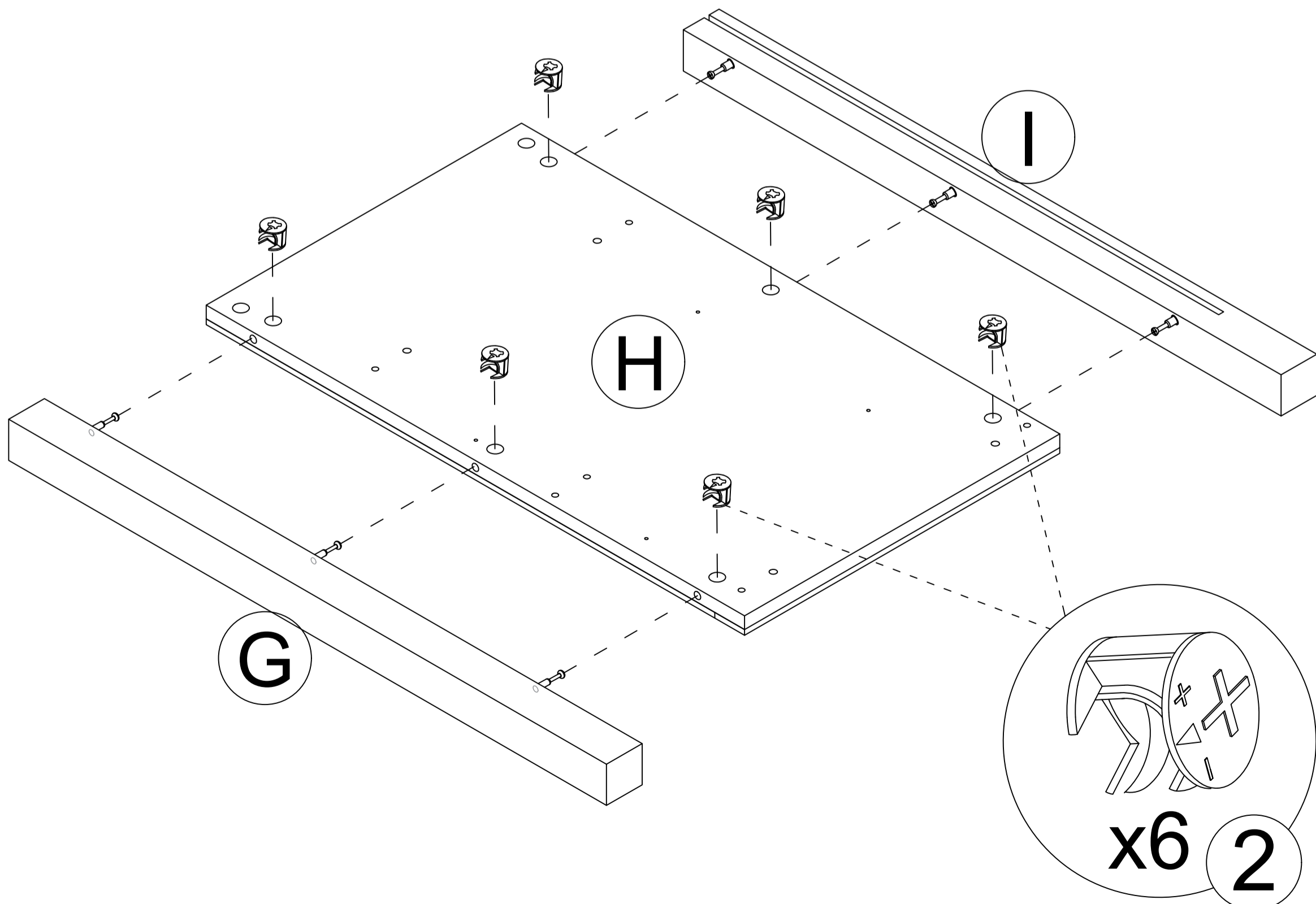
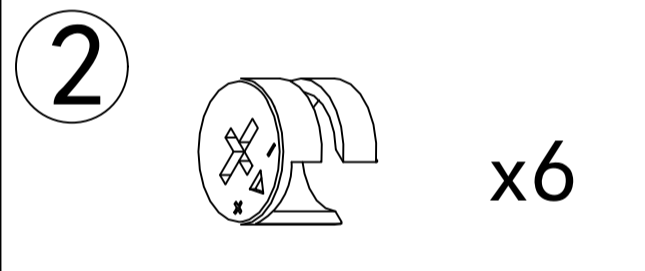
1		34pcs	2		34pcs	3		12pcs
5		4pcs	6		4pcs	7		1pcs
8		6pcs						2pcs



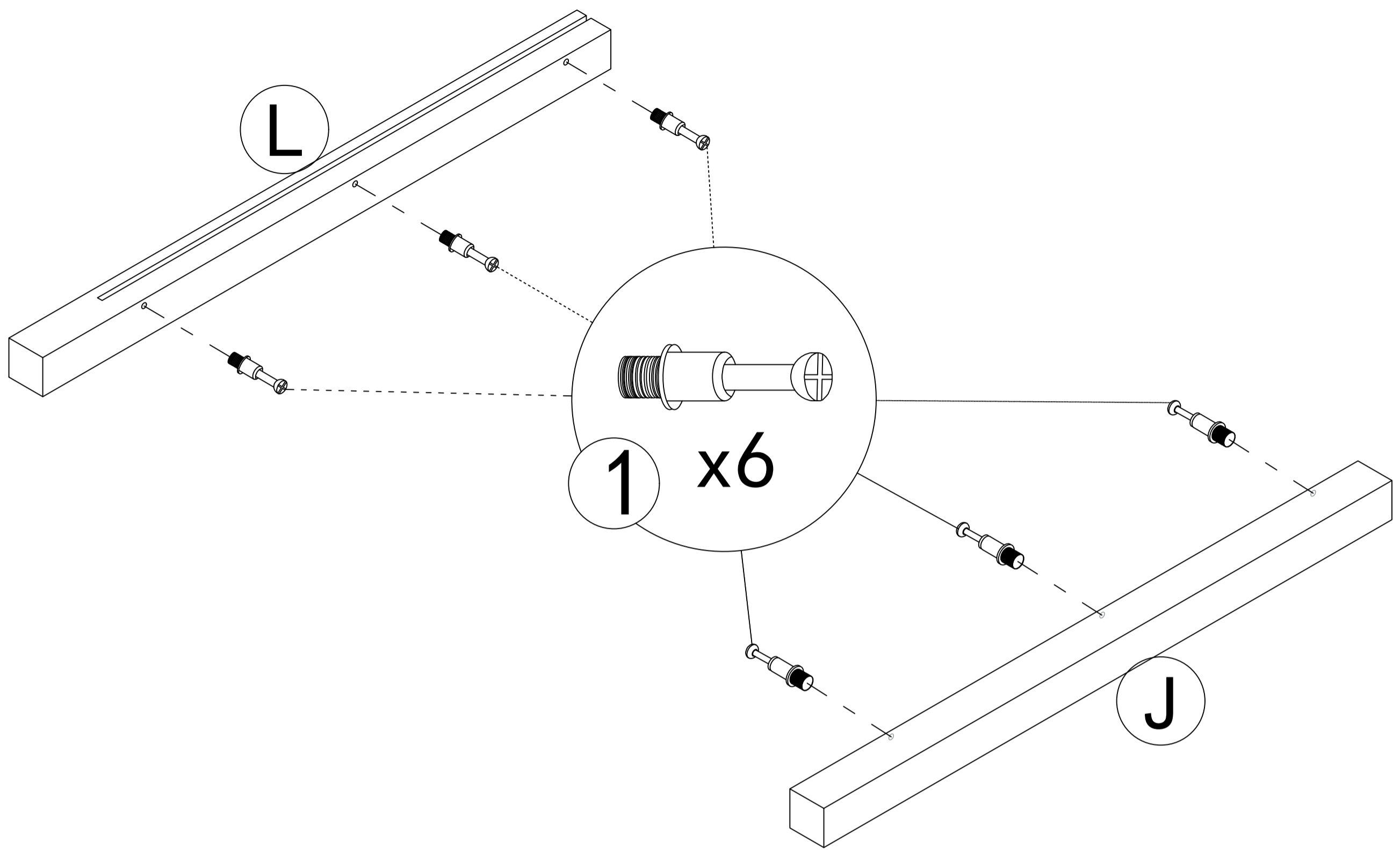
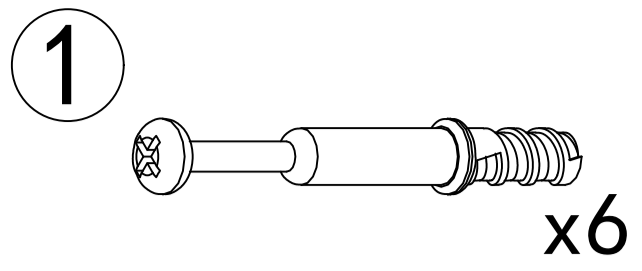
Step 9



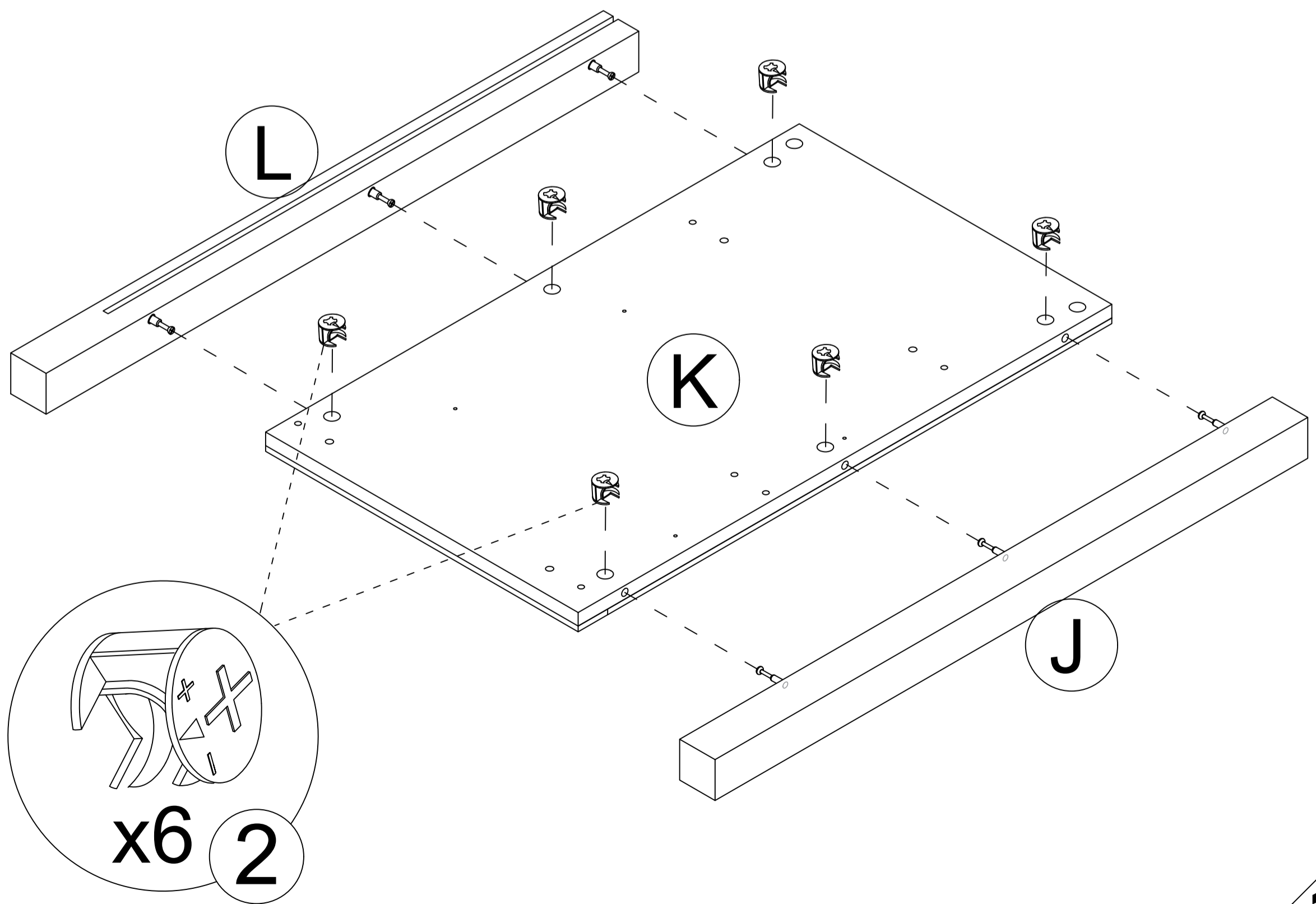
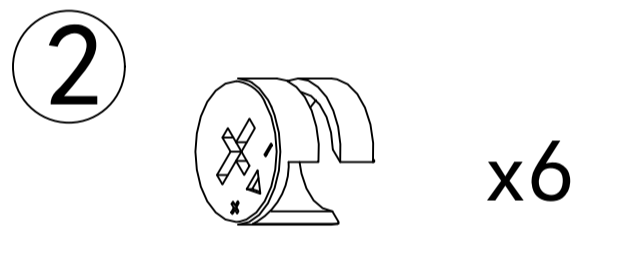
Step 10



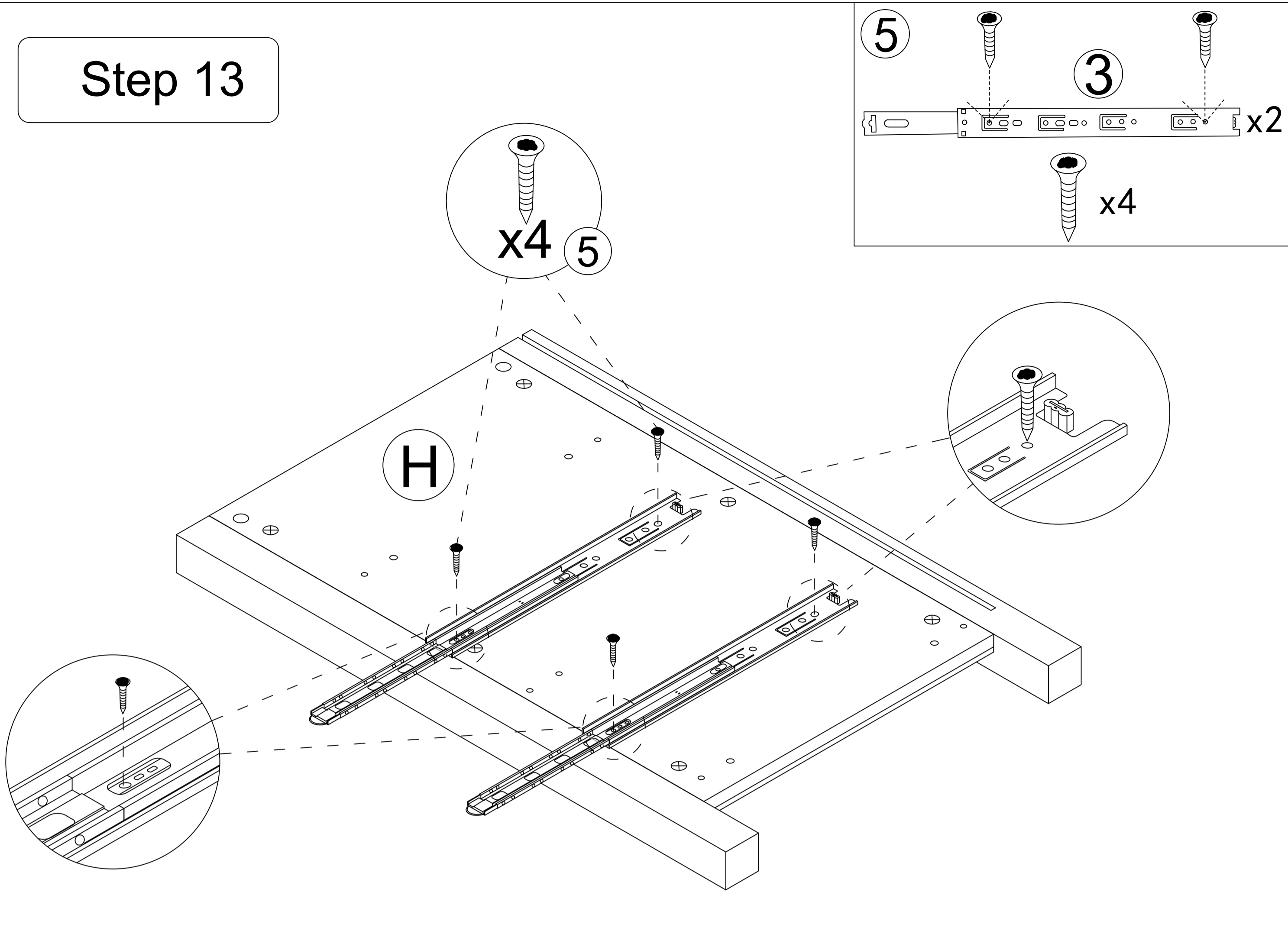
Step 11



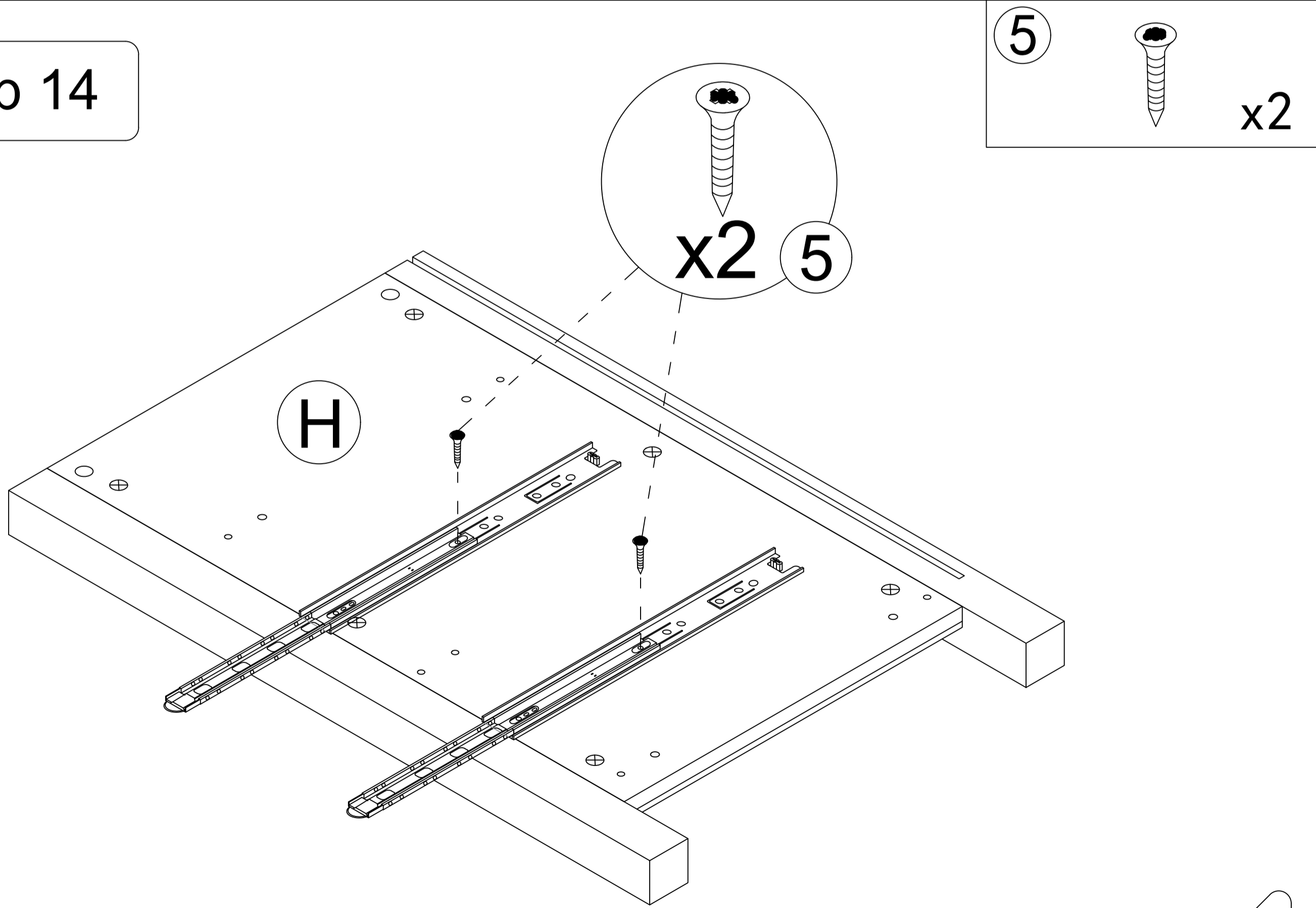
Step 12



Step 13

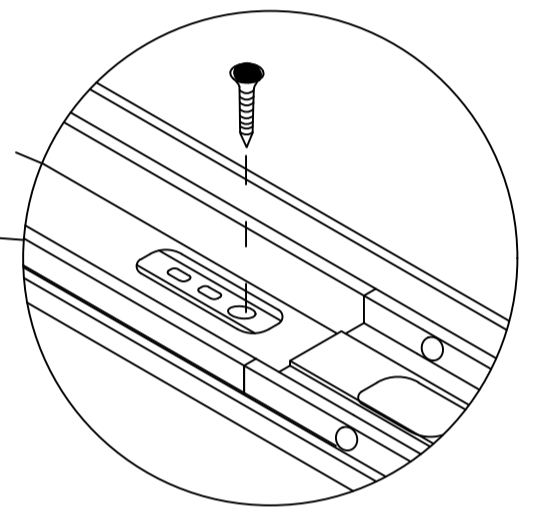
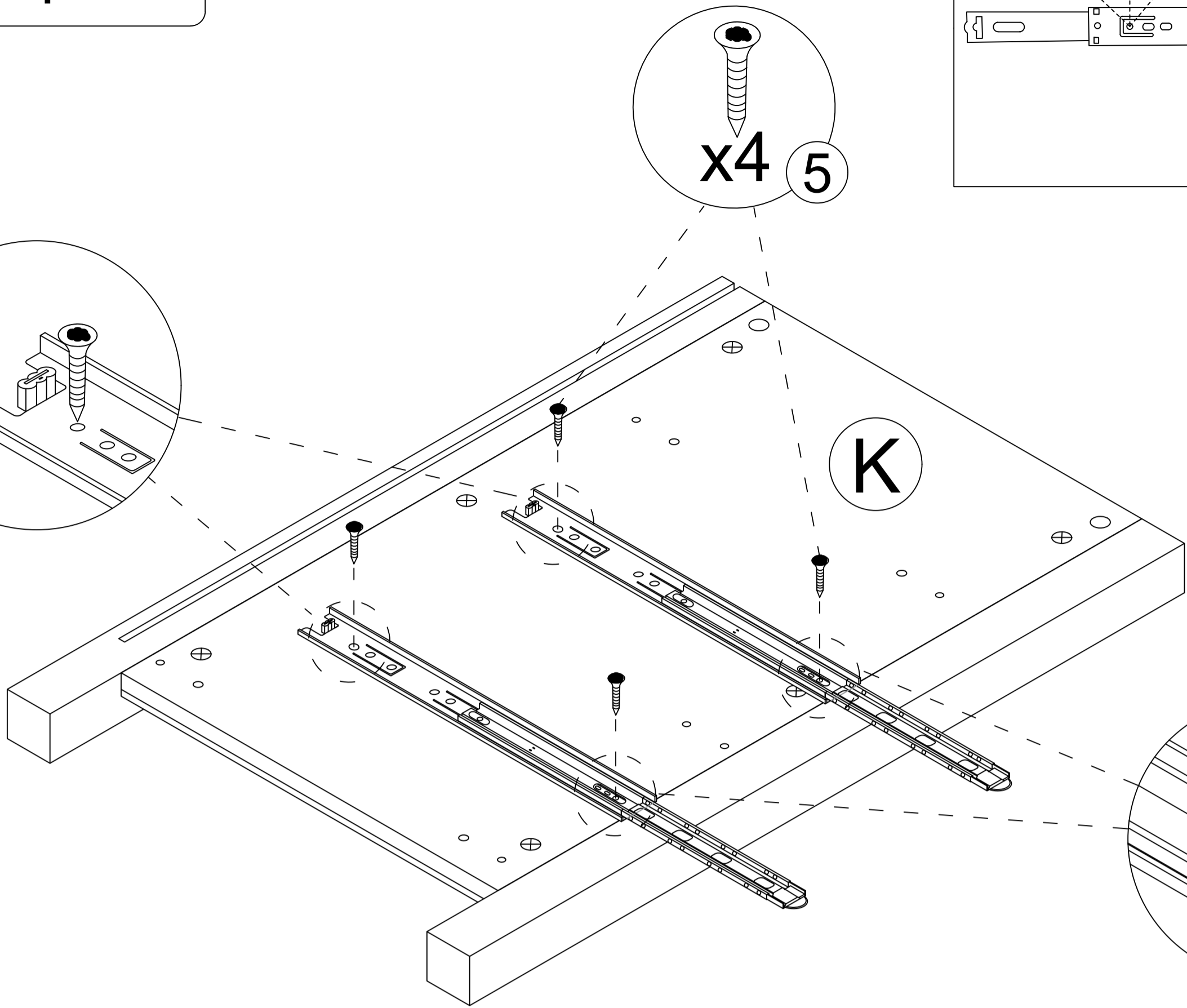
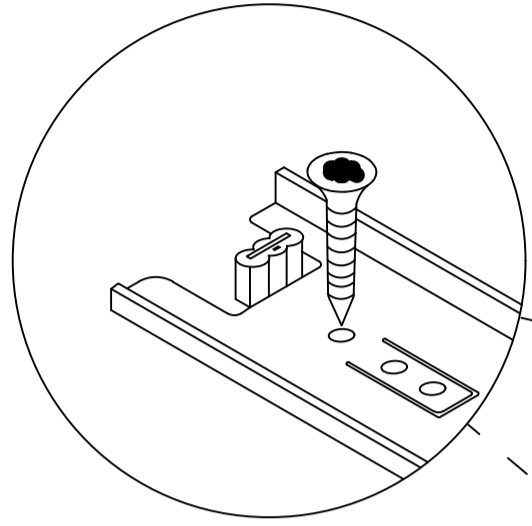
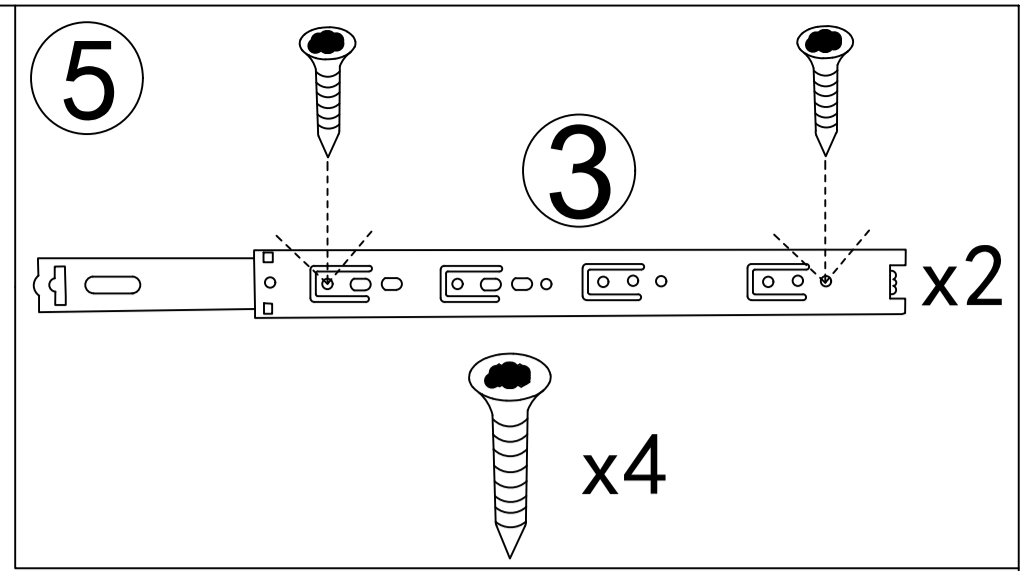


Step 14

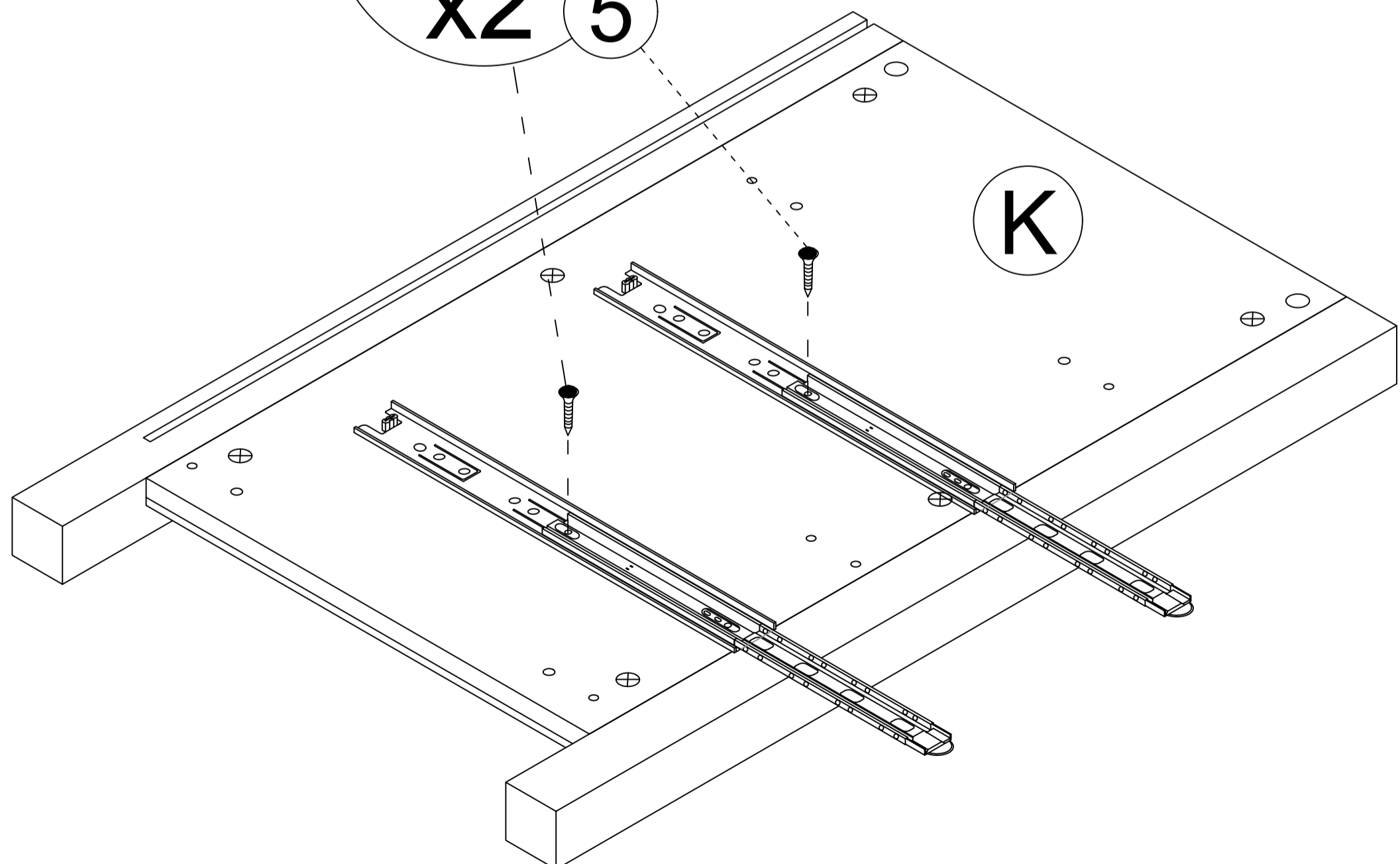
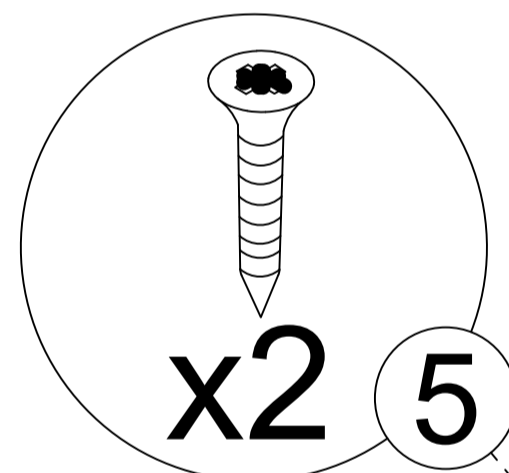
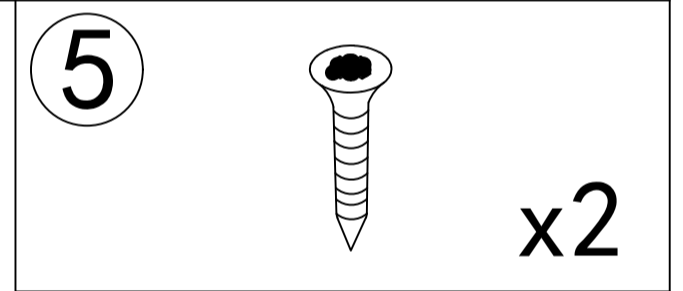


This hole is for strengthening fixed hole customers can choose to install according to their needs.

Step 15

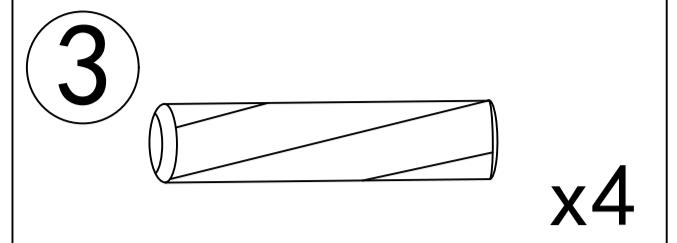
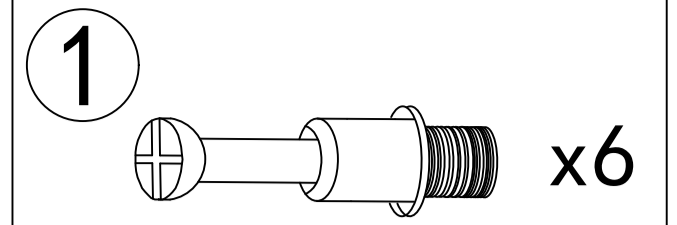
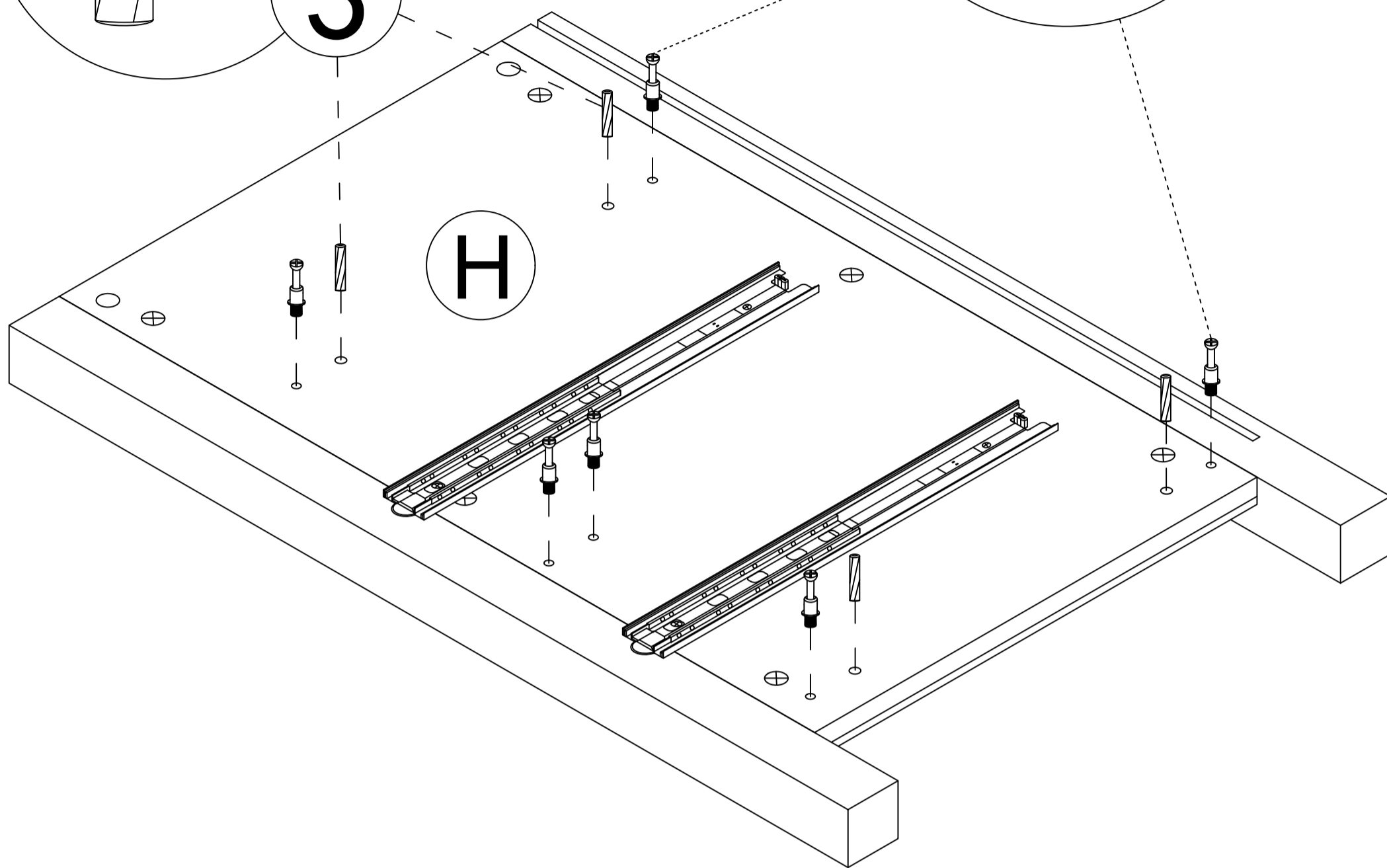
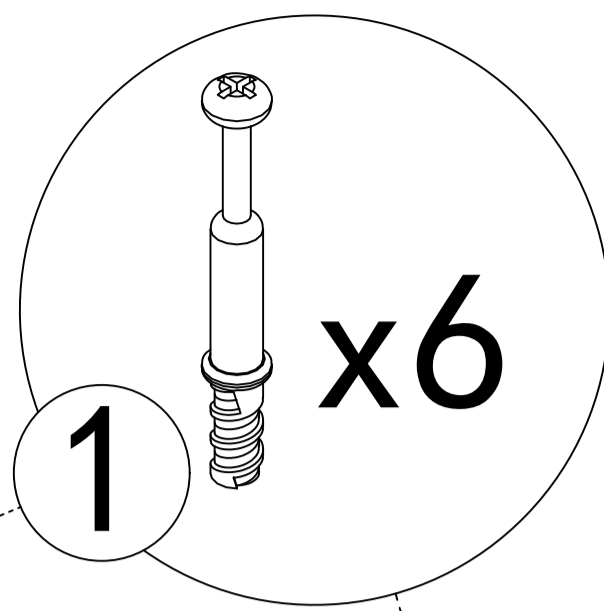
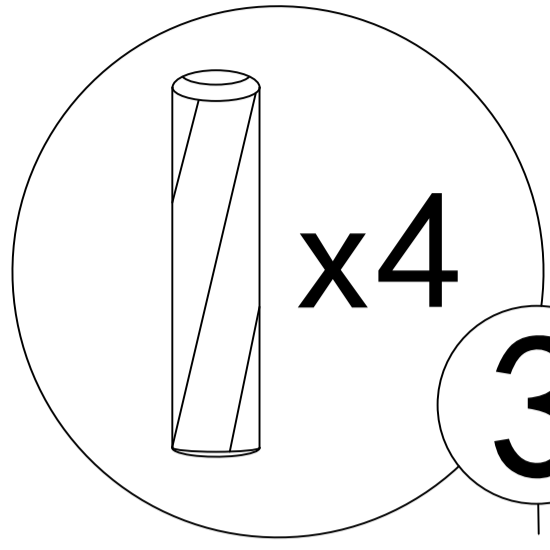


Step 16

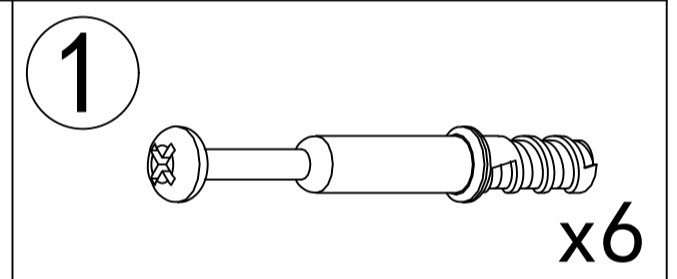
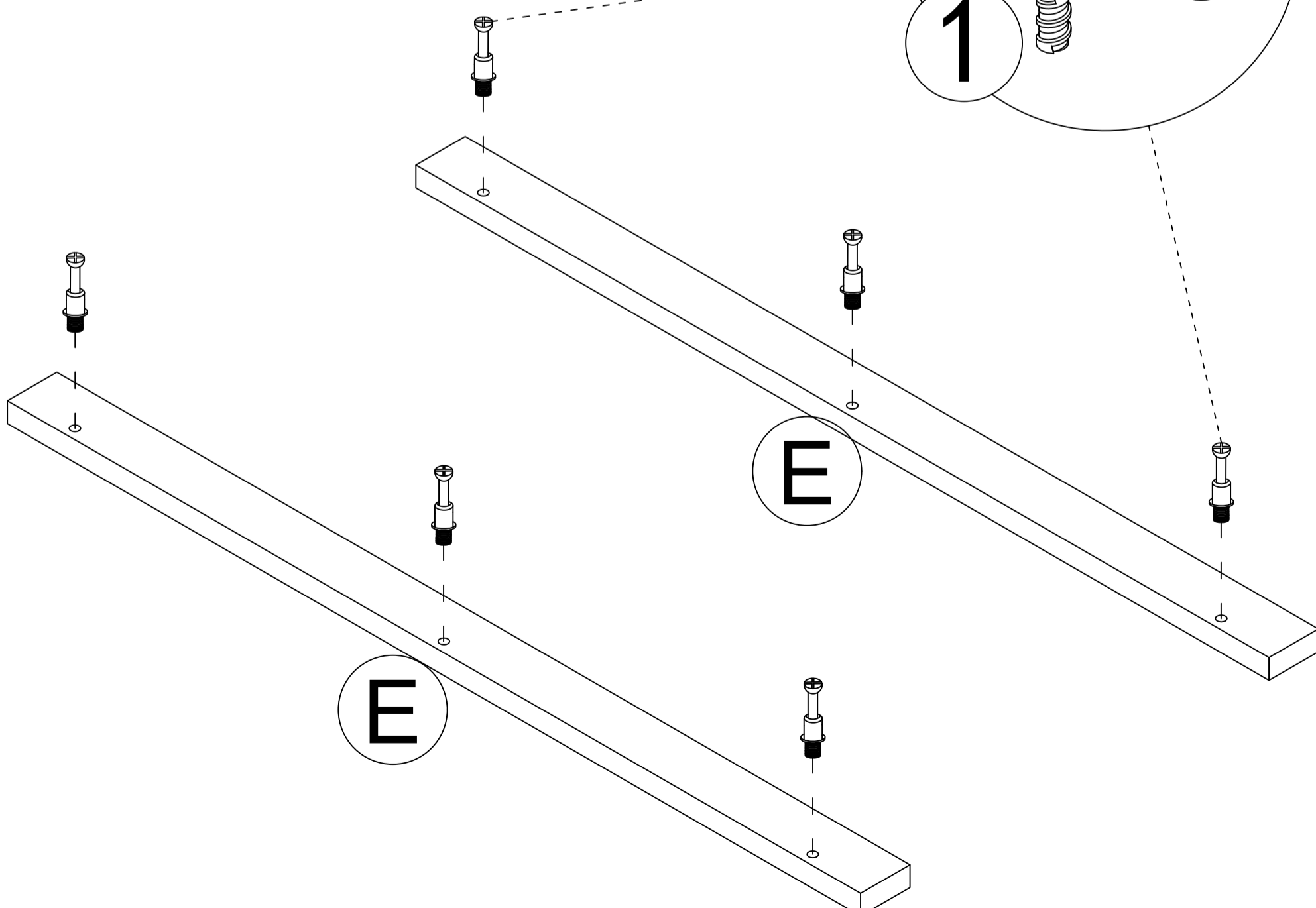
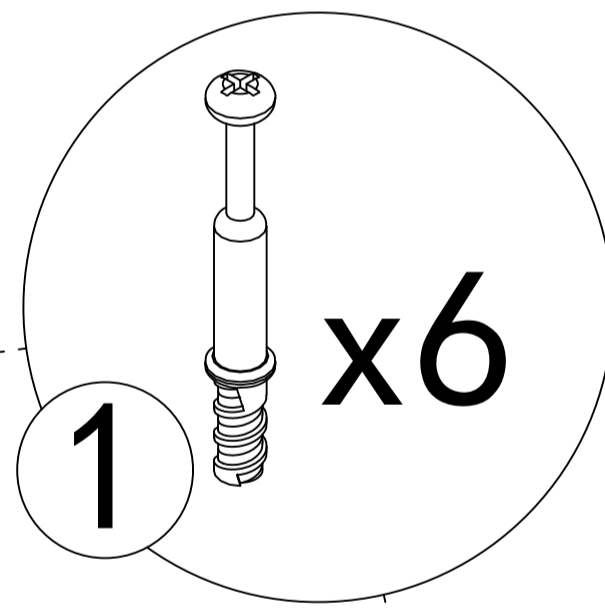


This hole is for strengthening fixed hole customers can choose to install according to their needs.

Step 17

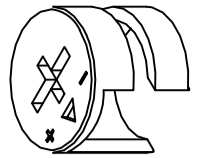


Step 18

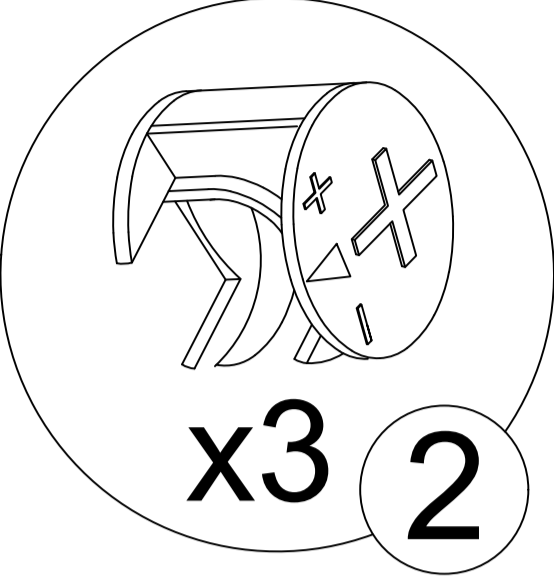
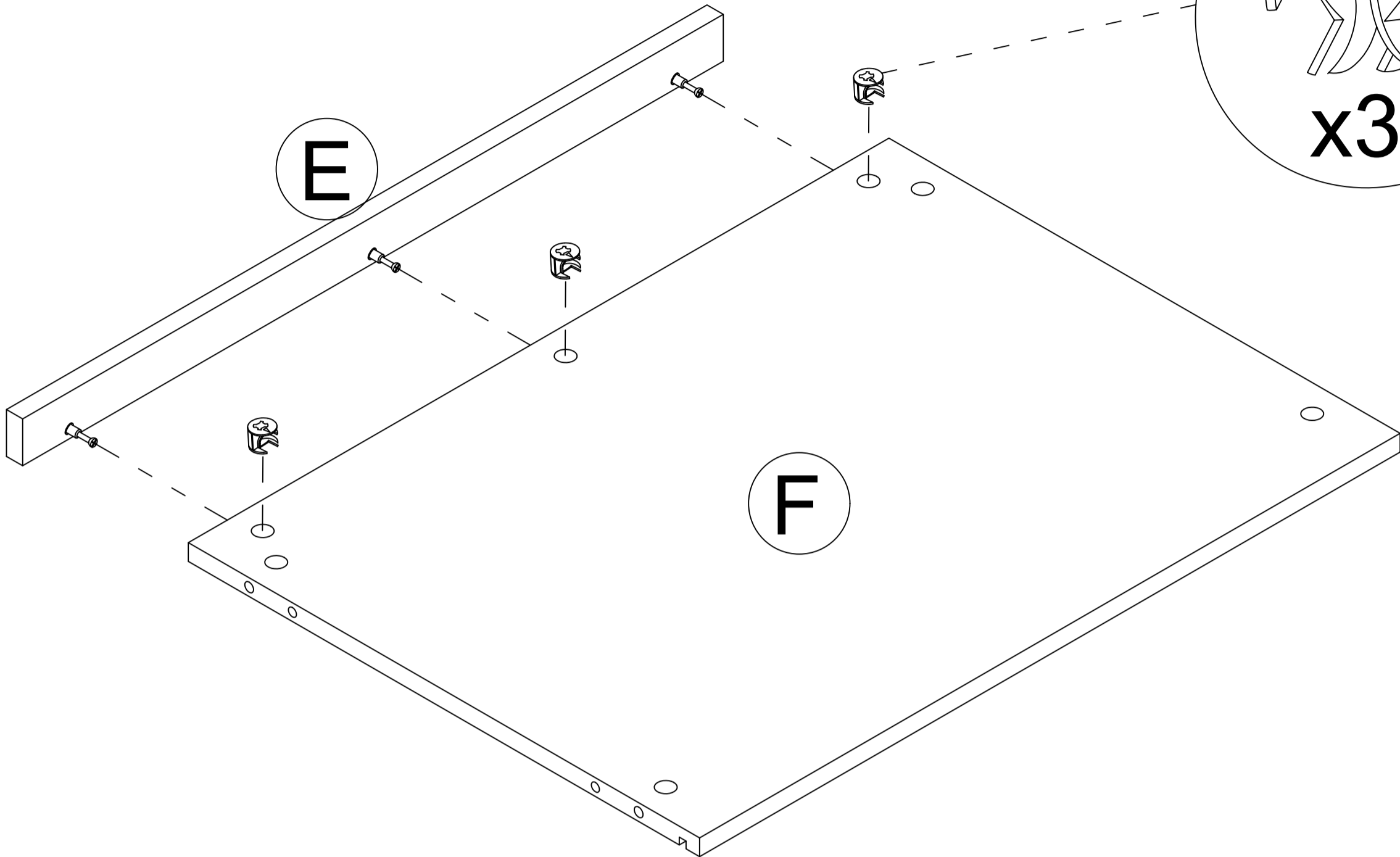


Step 19

2



x3

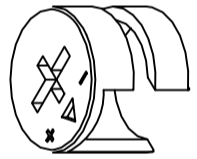


x3

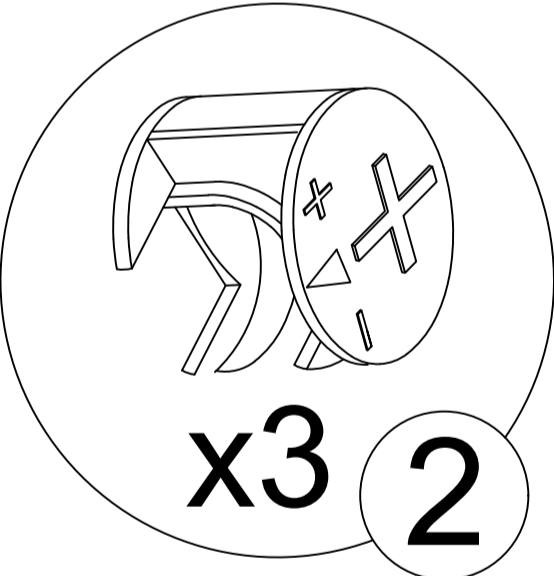
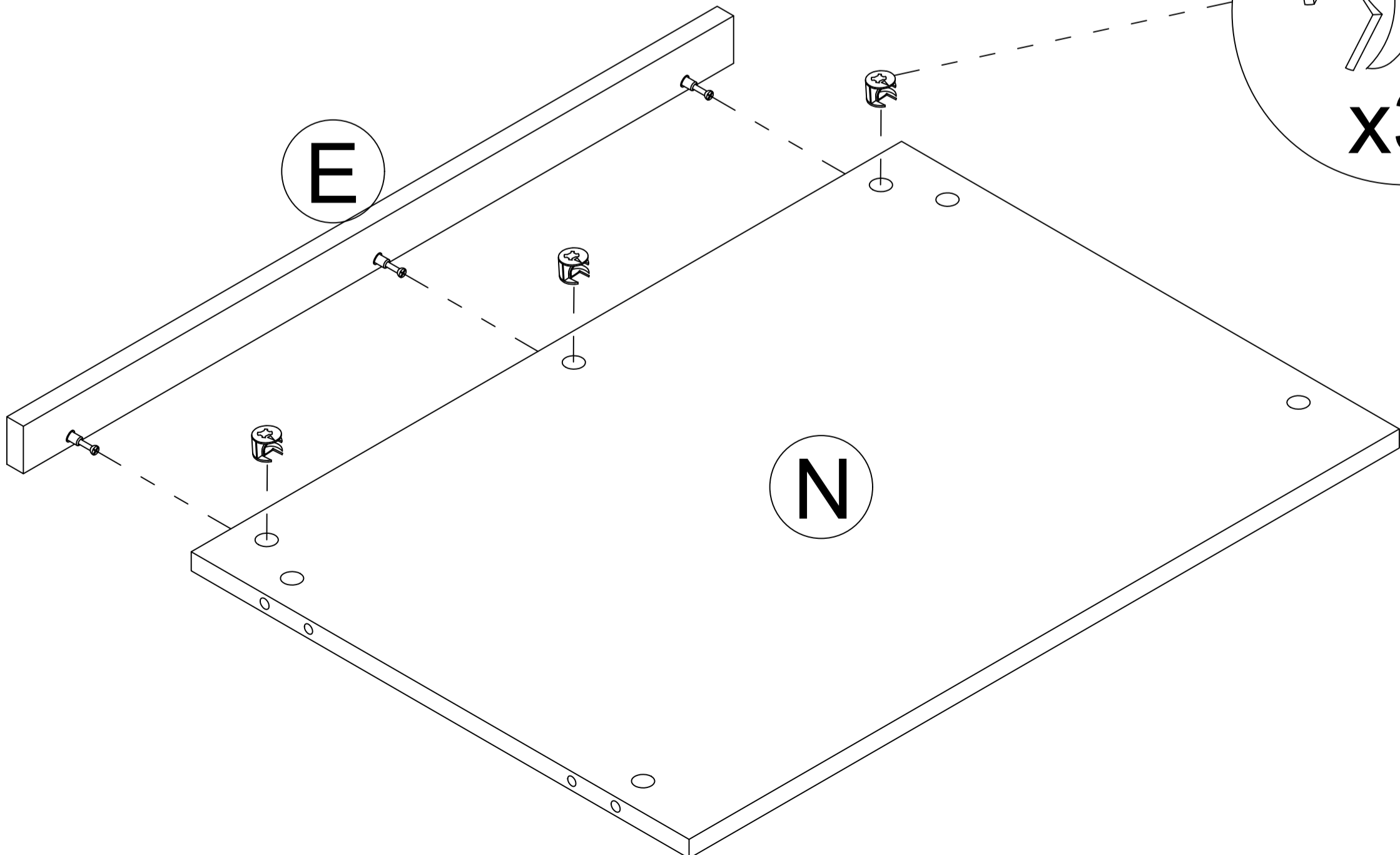
2

Step 20

2



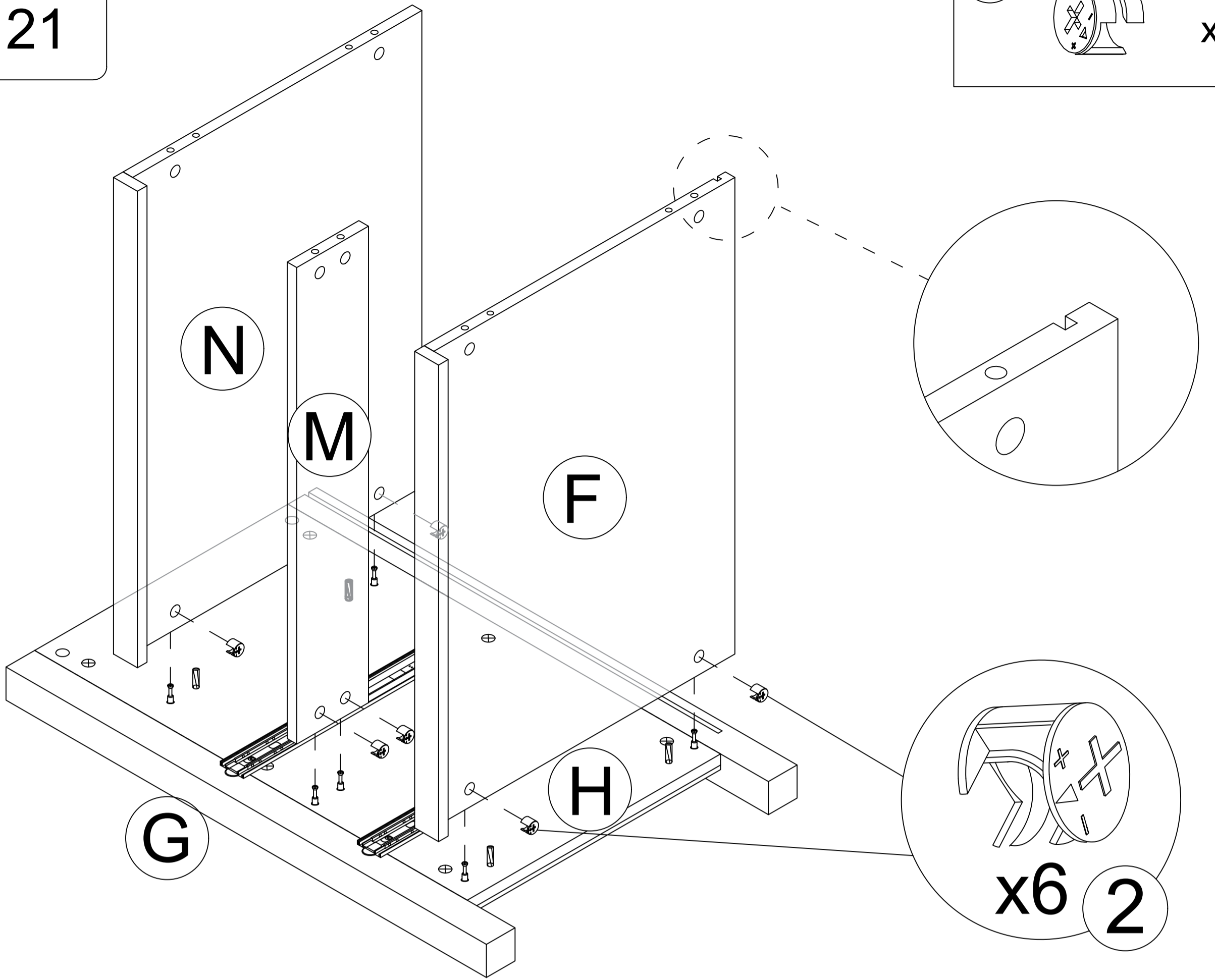
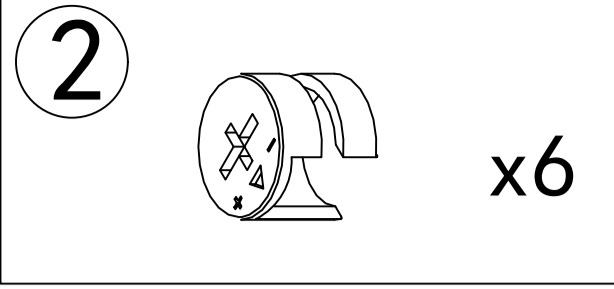
x3



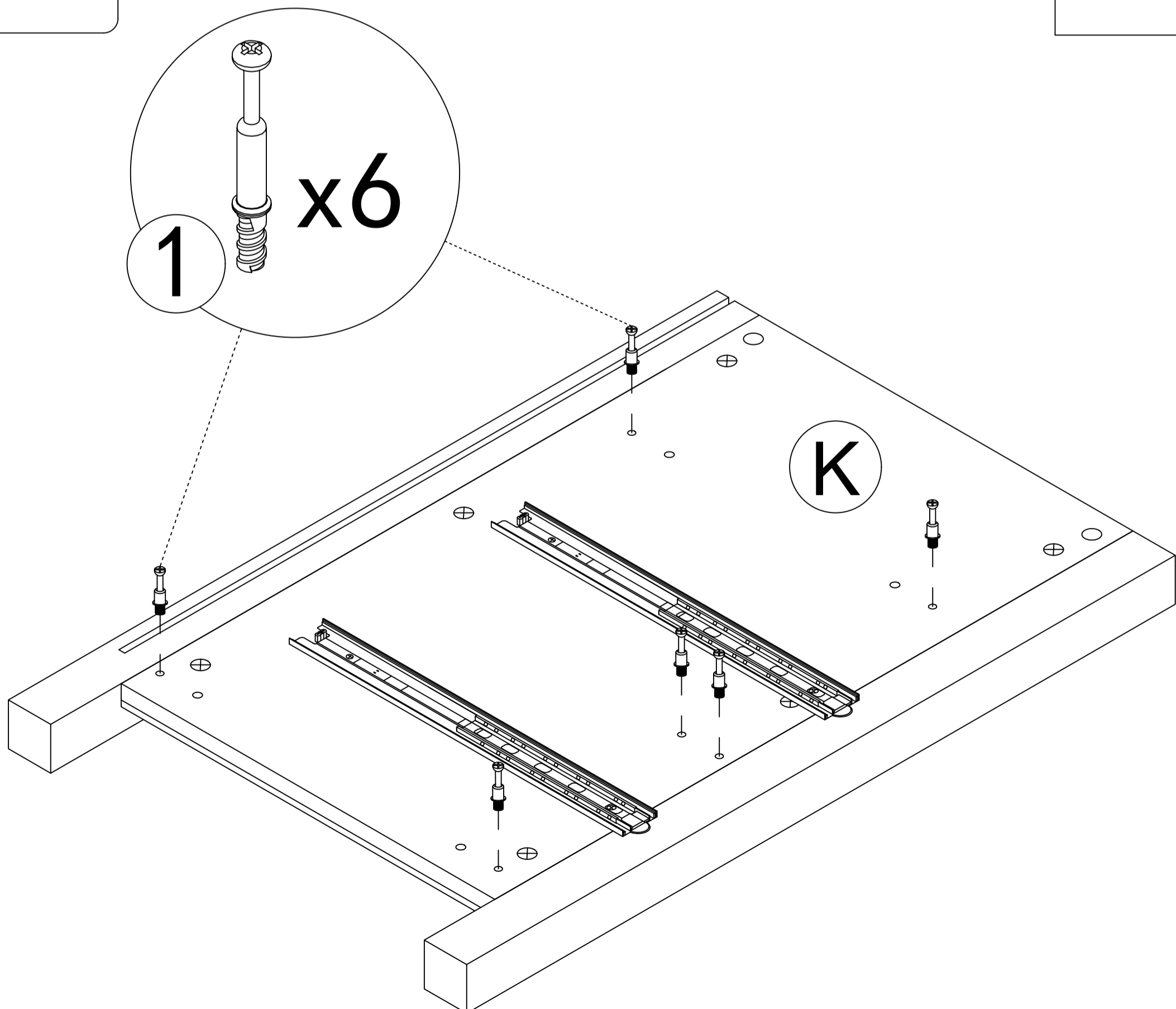
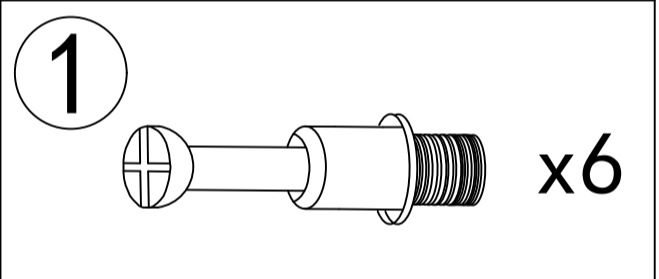
x3

2

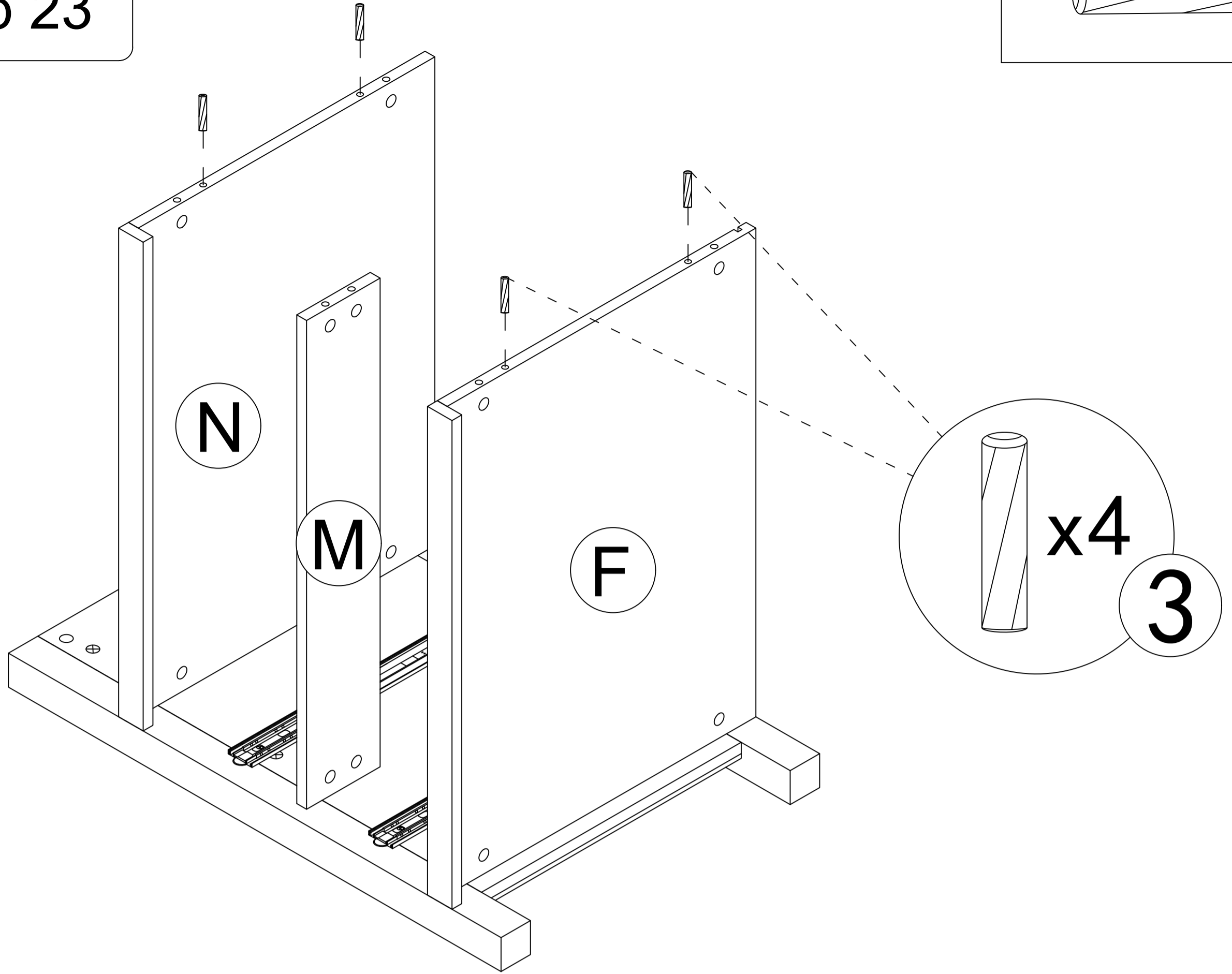
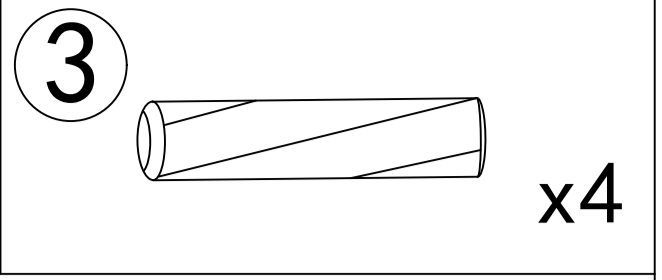
Step 21



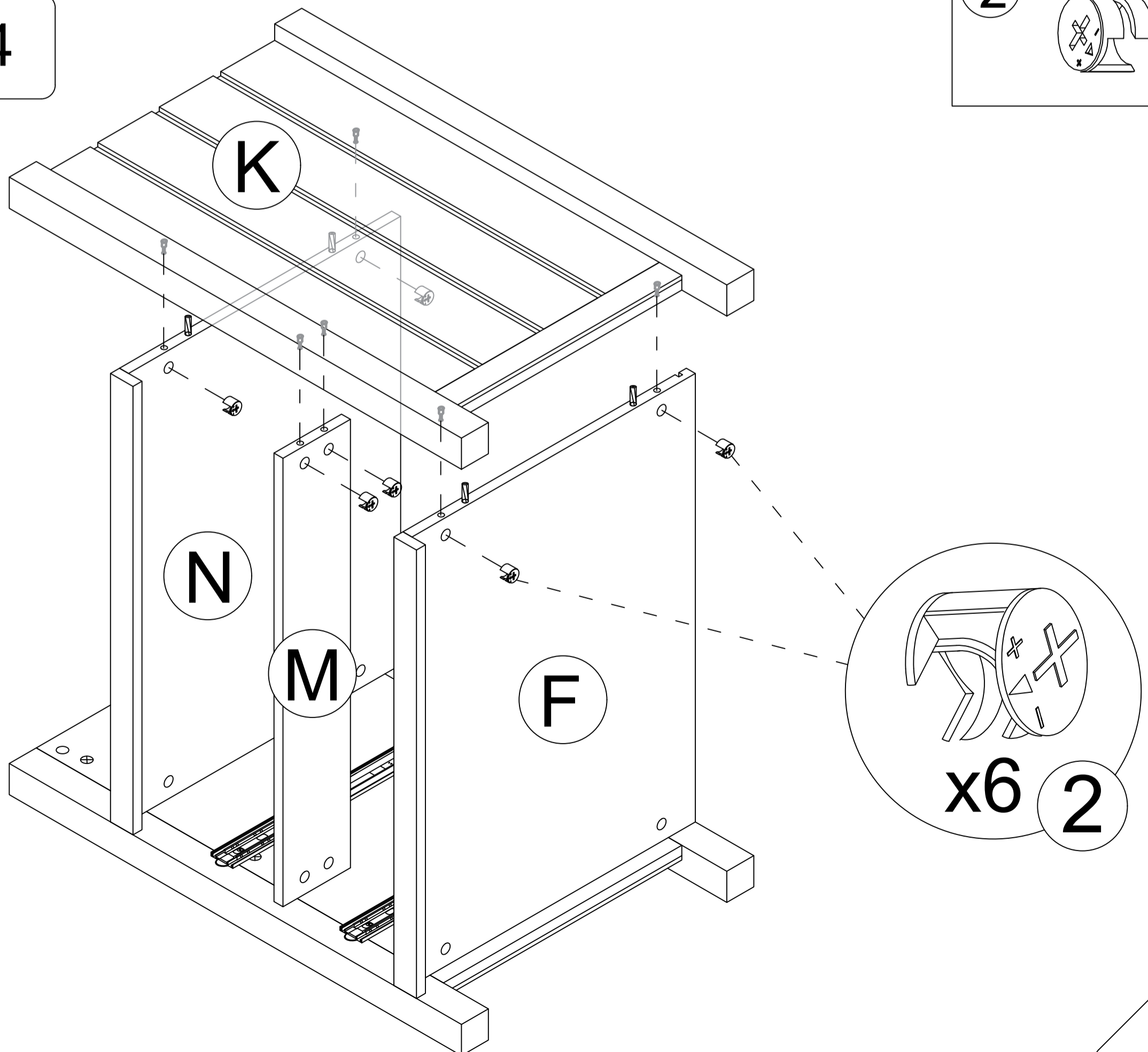
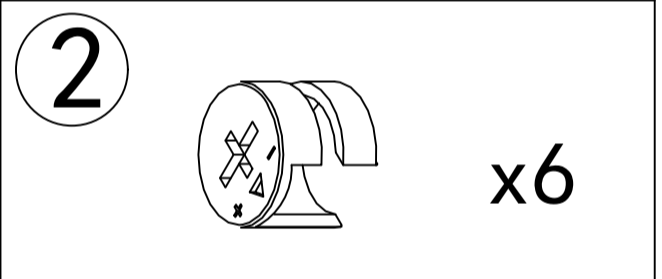
Step 22




Step 23

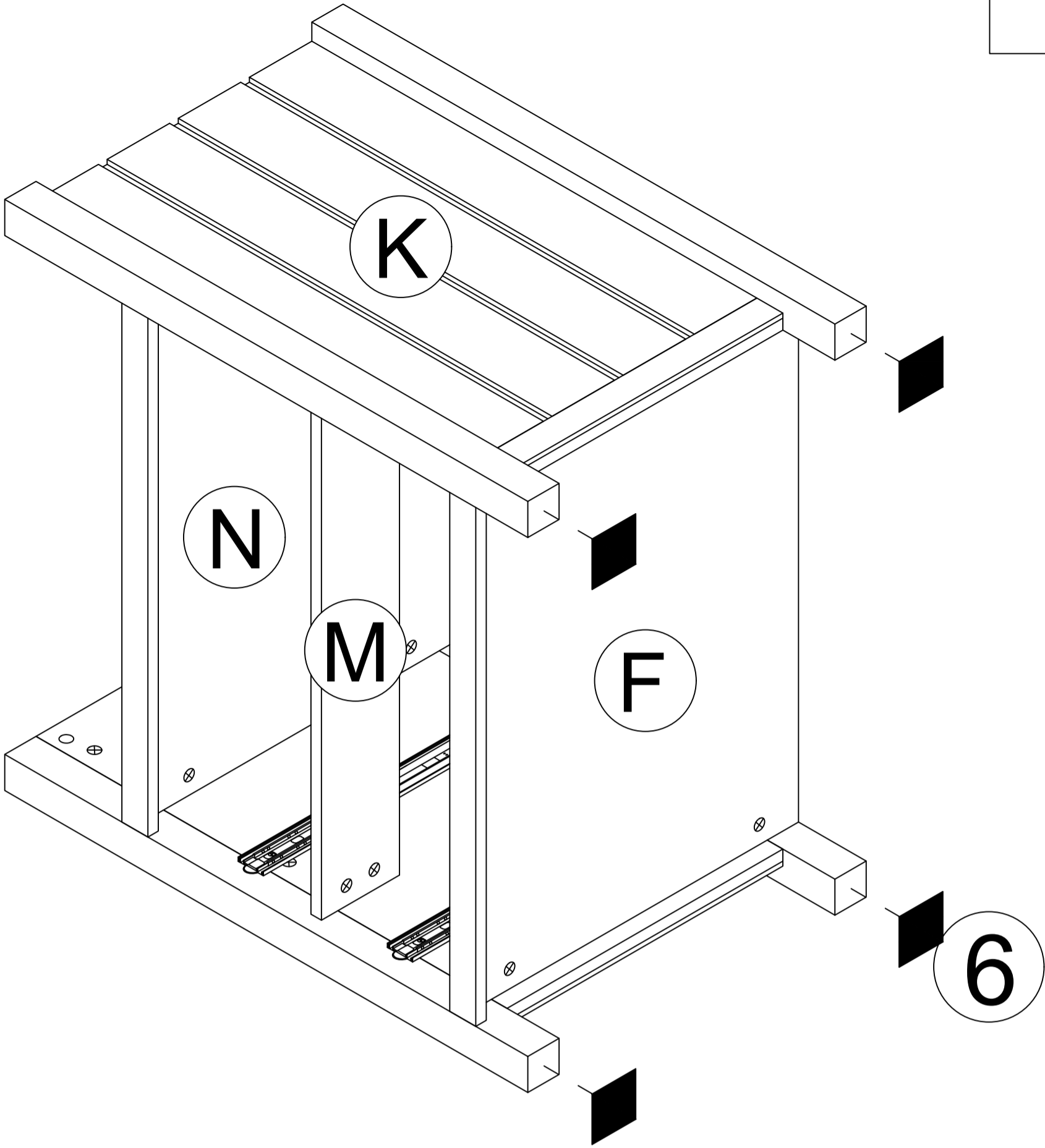


Step 24

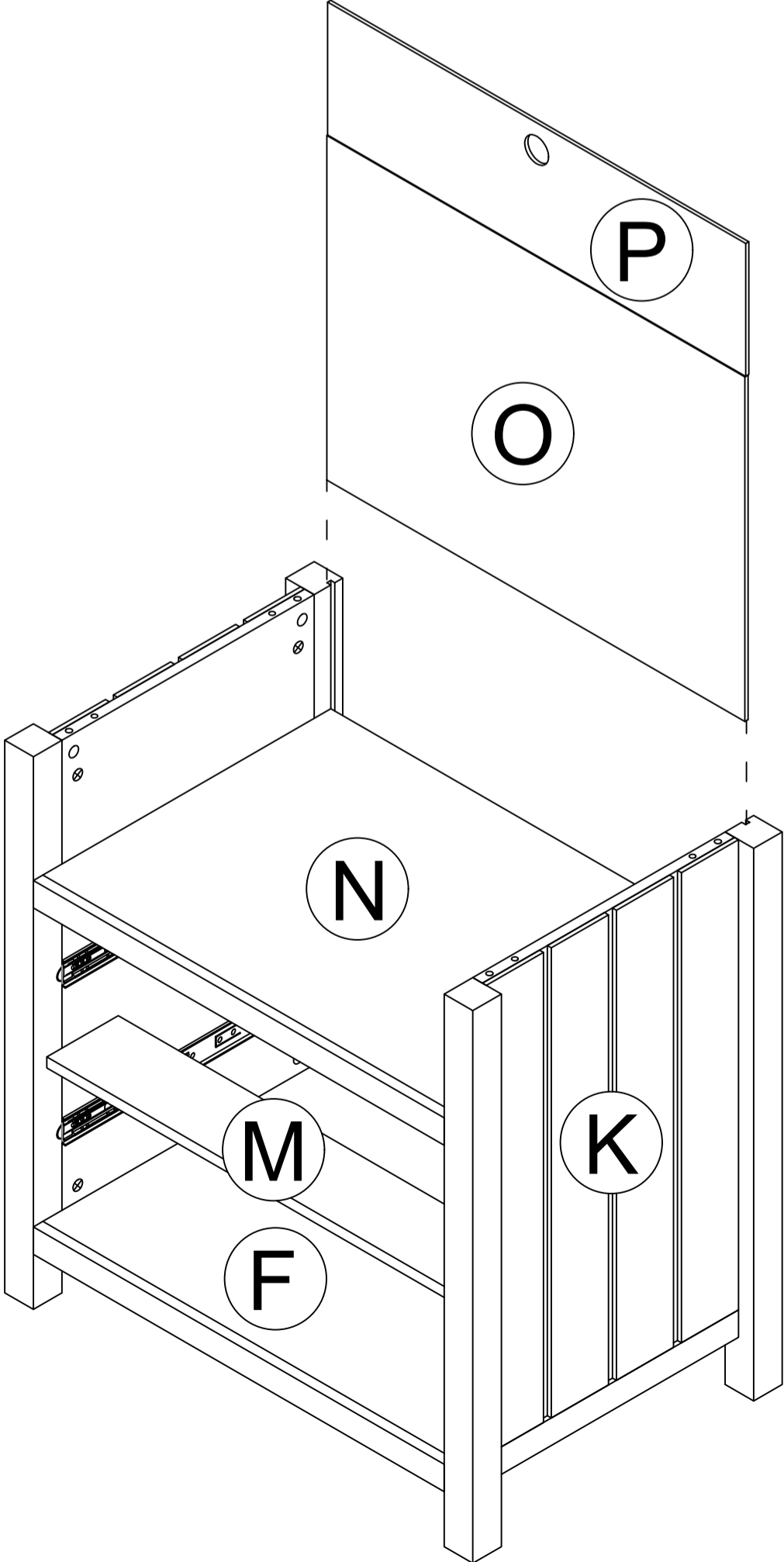


Step 25

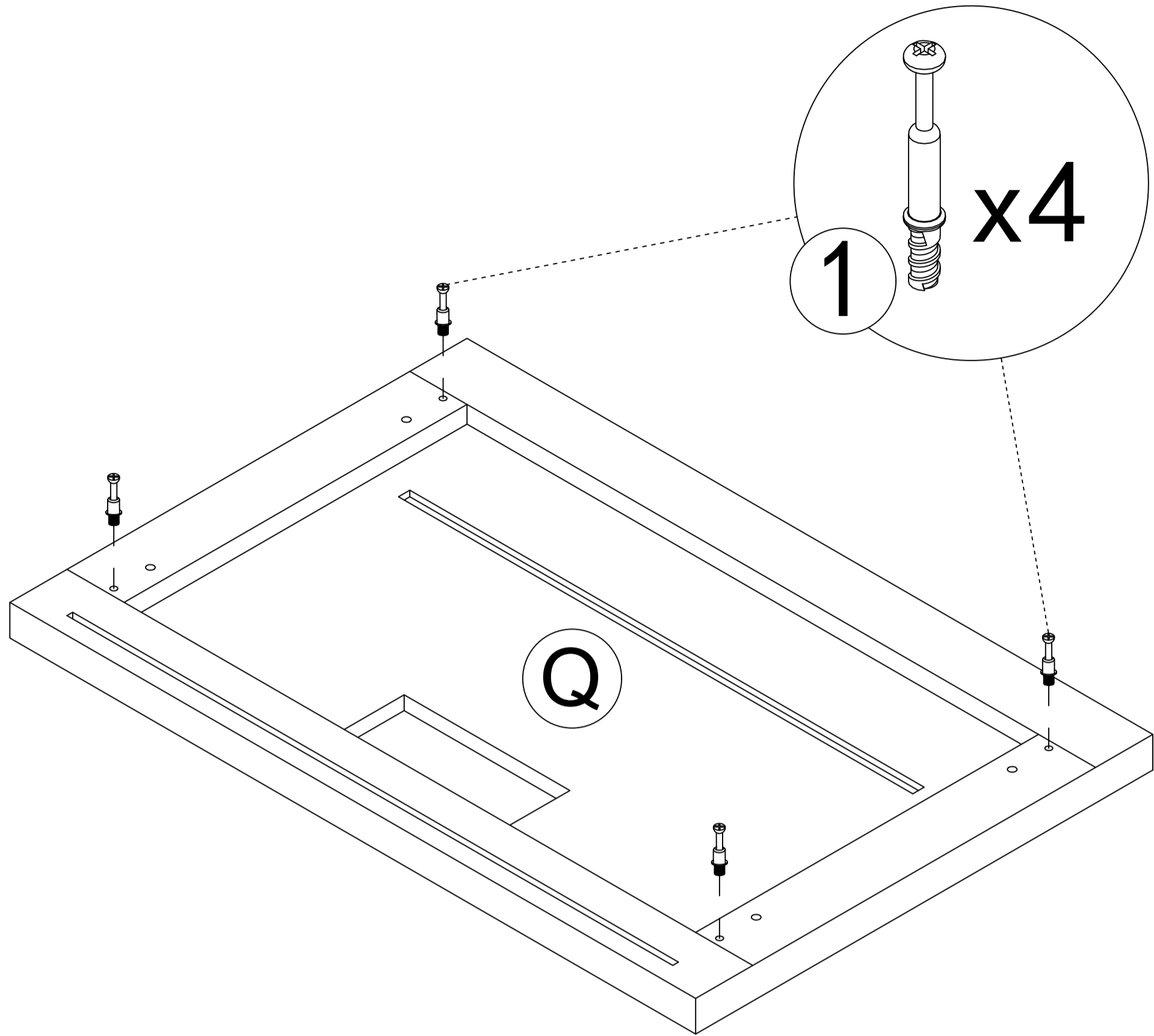
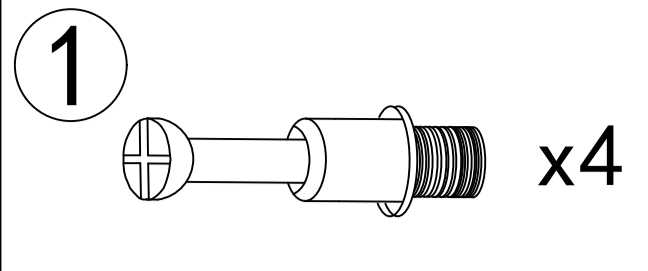
6  x4



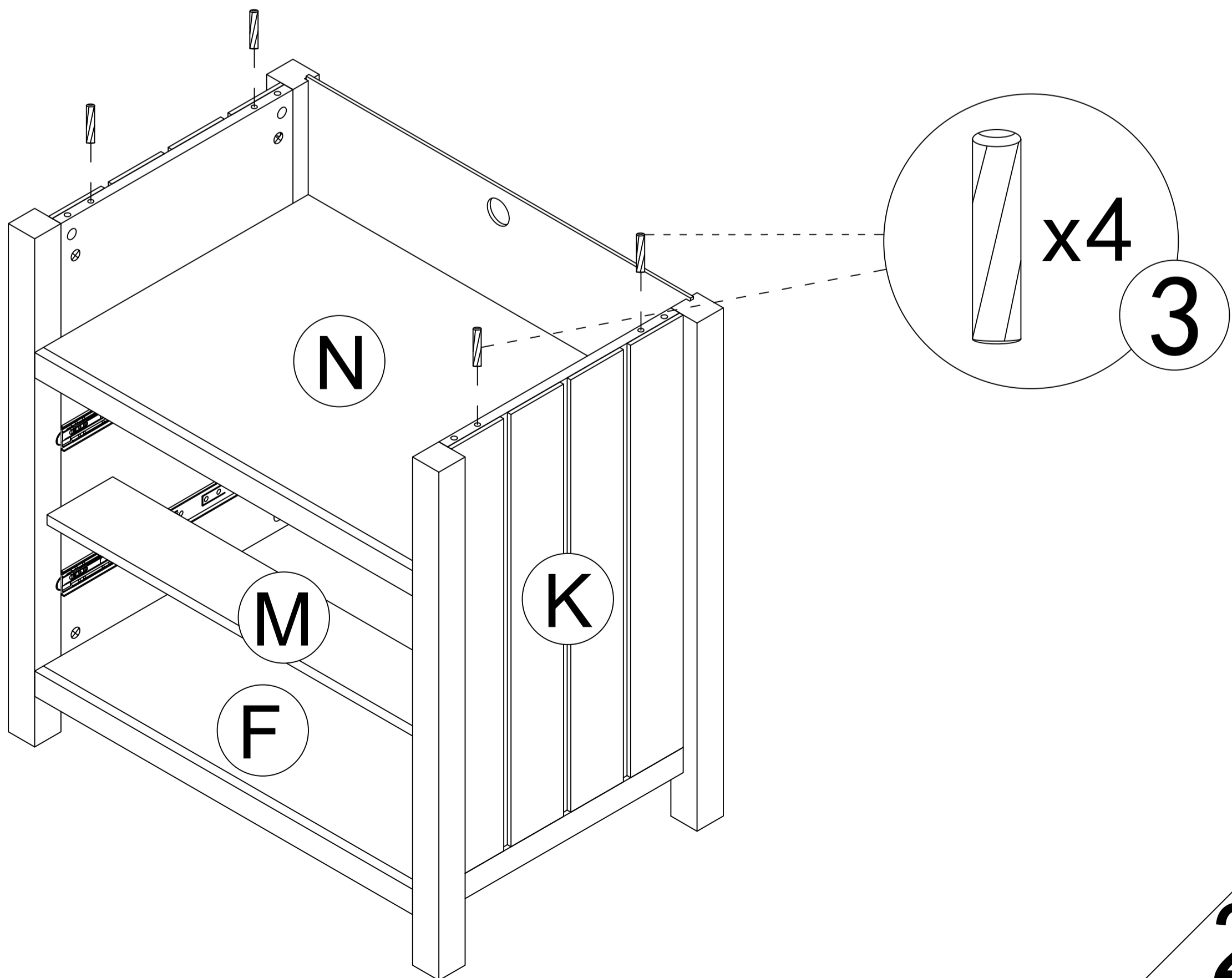
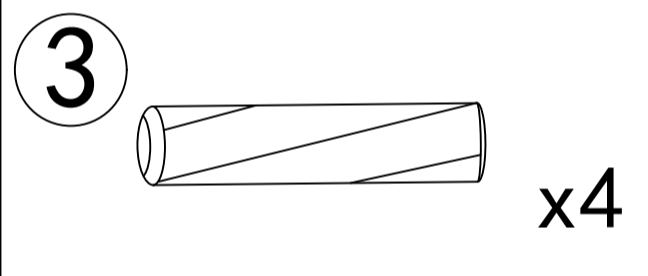
Step 26



Step 27

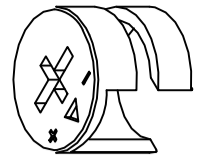


Step 28

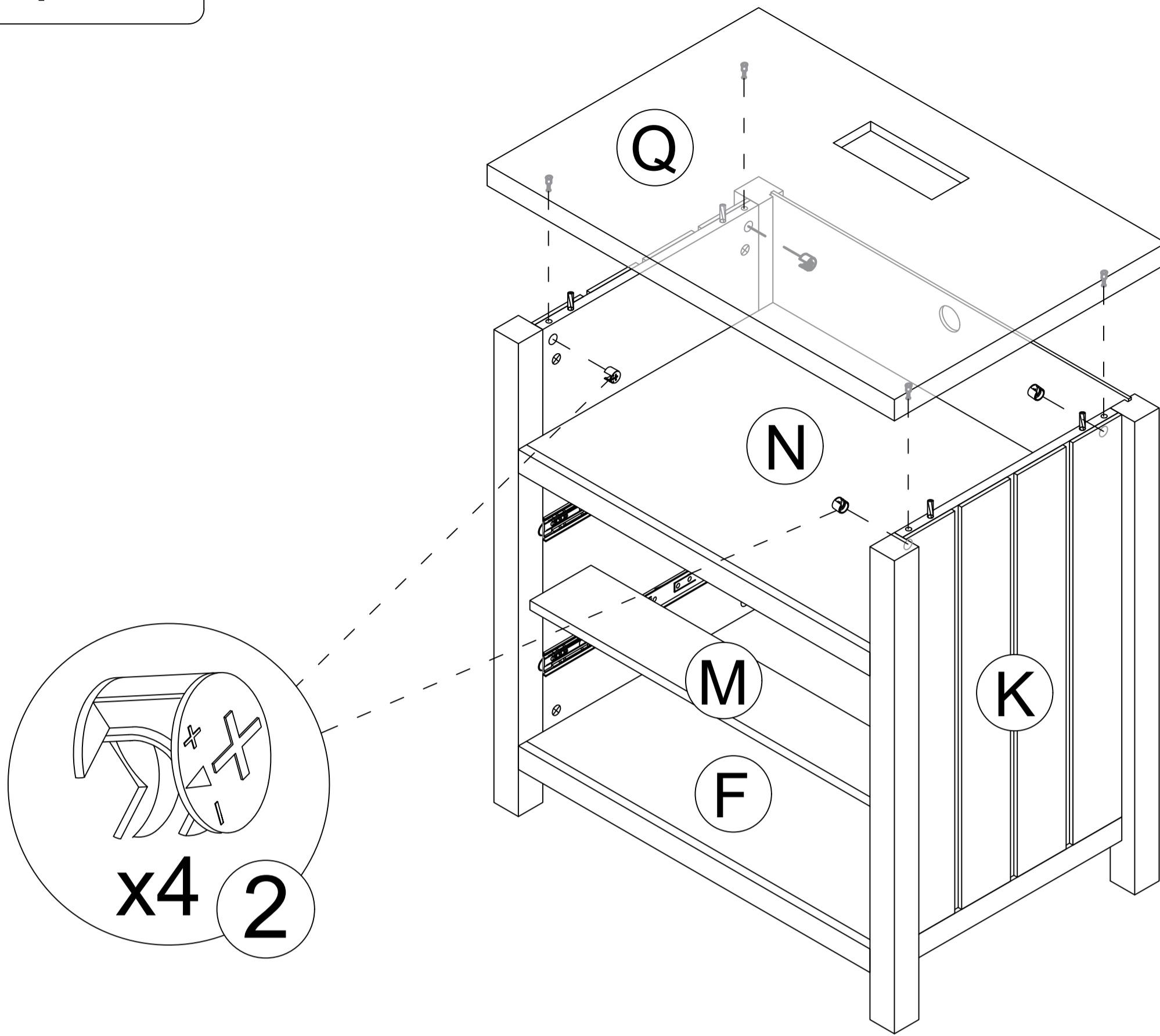


Step 29

2

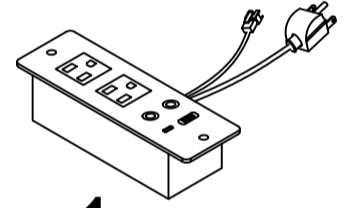


x4



Step 30

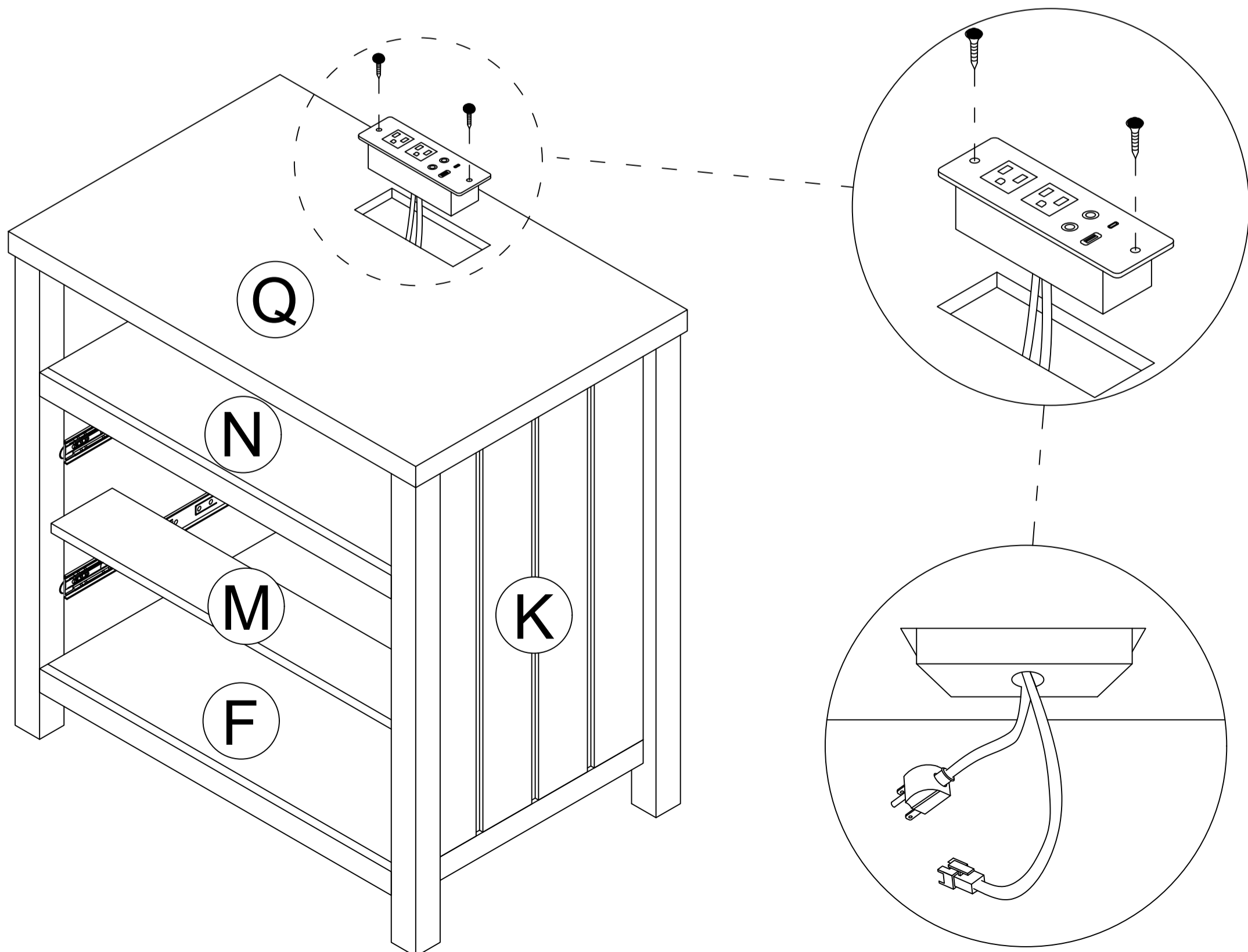
7



x1

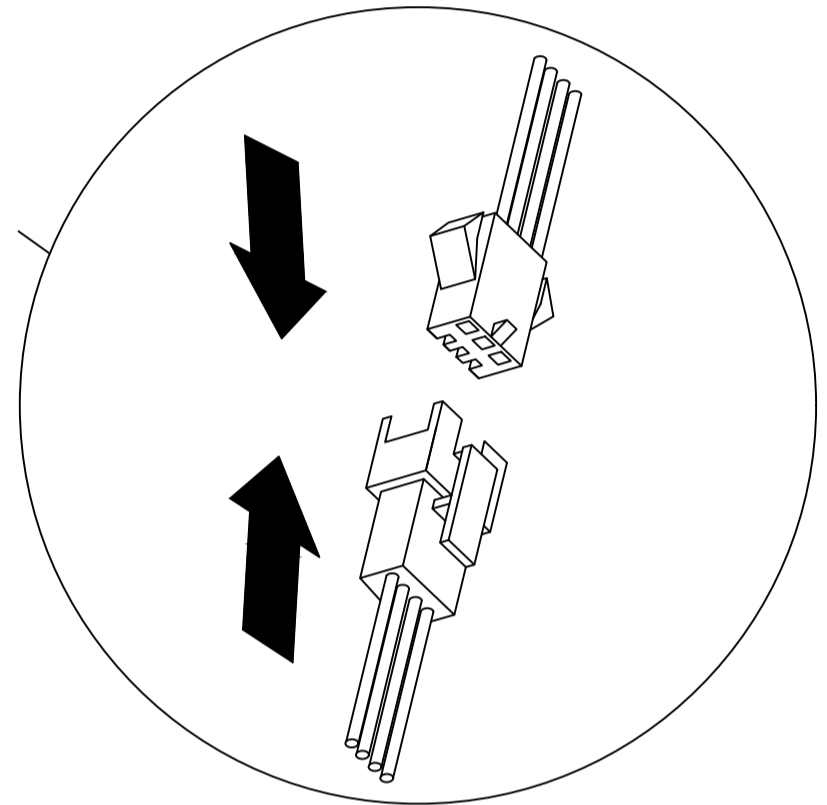
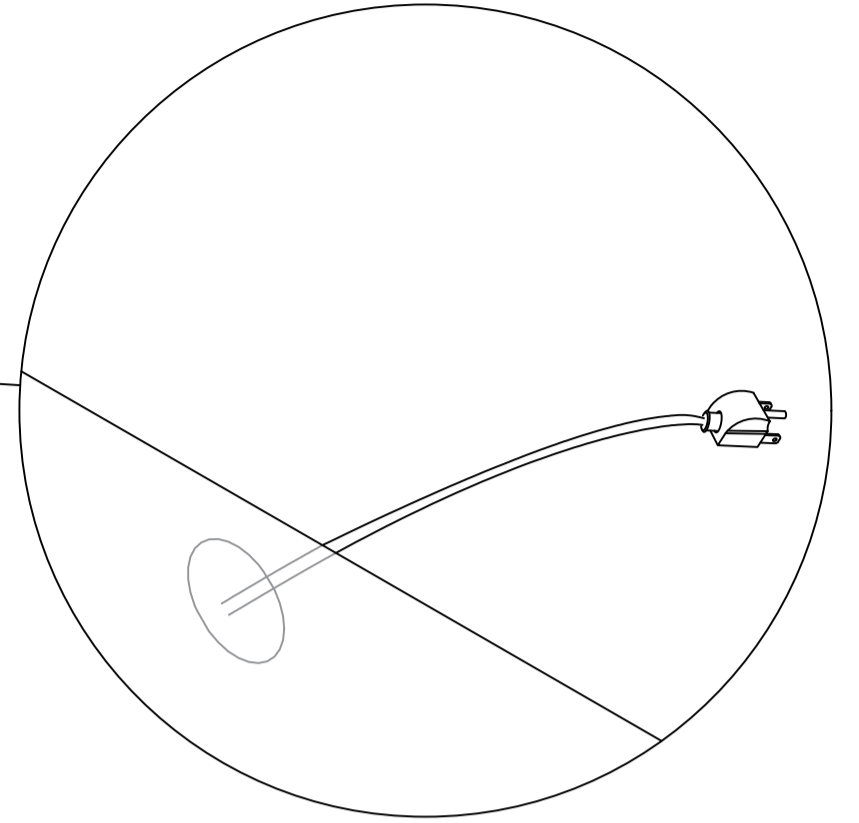
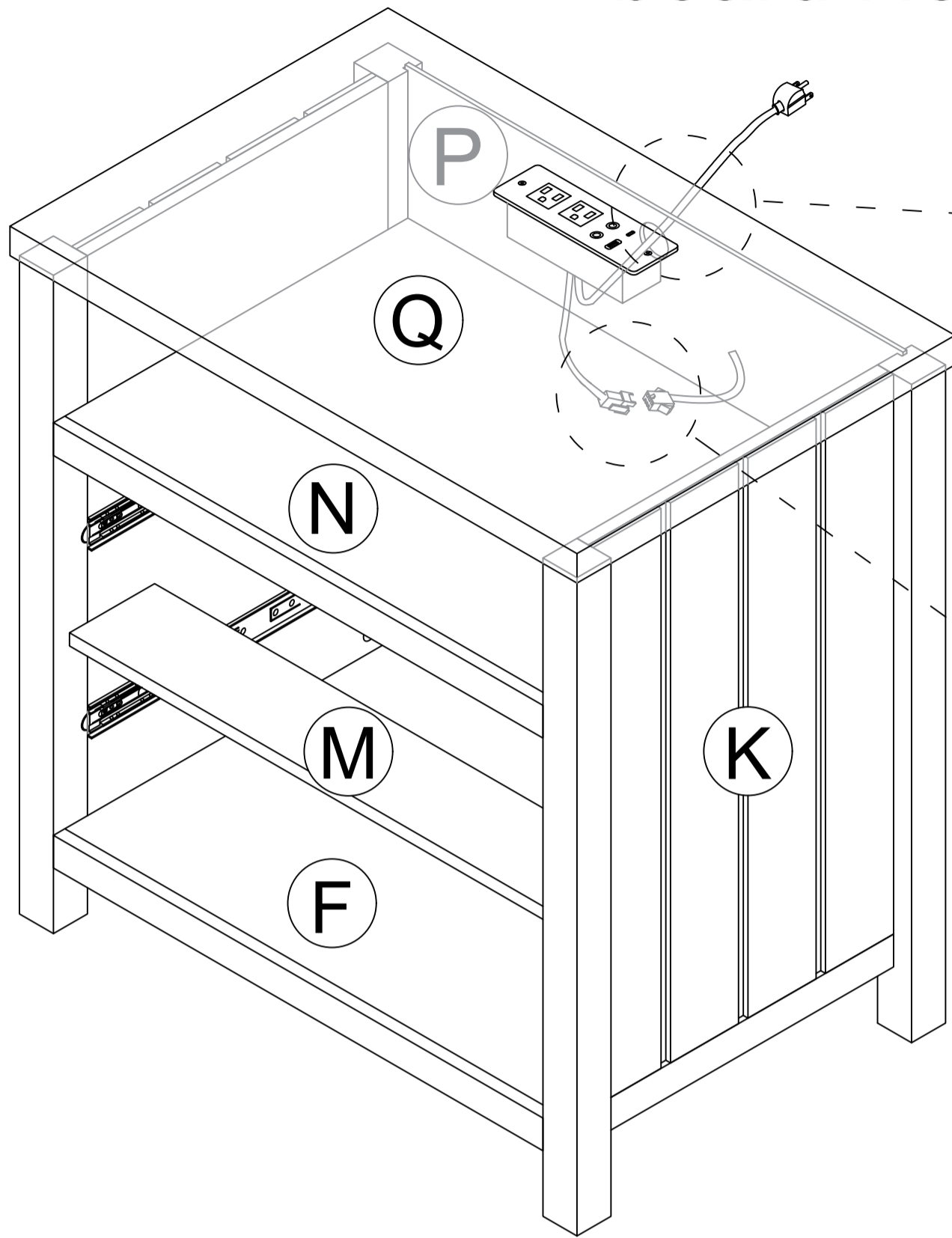


x2

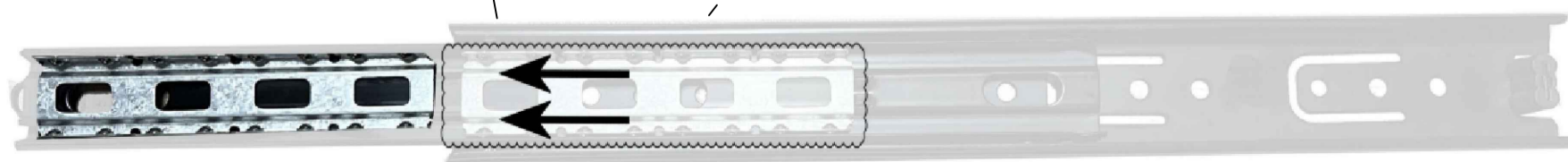
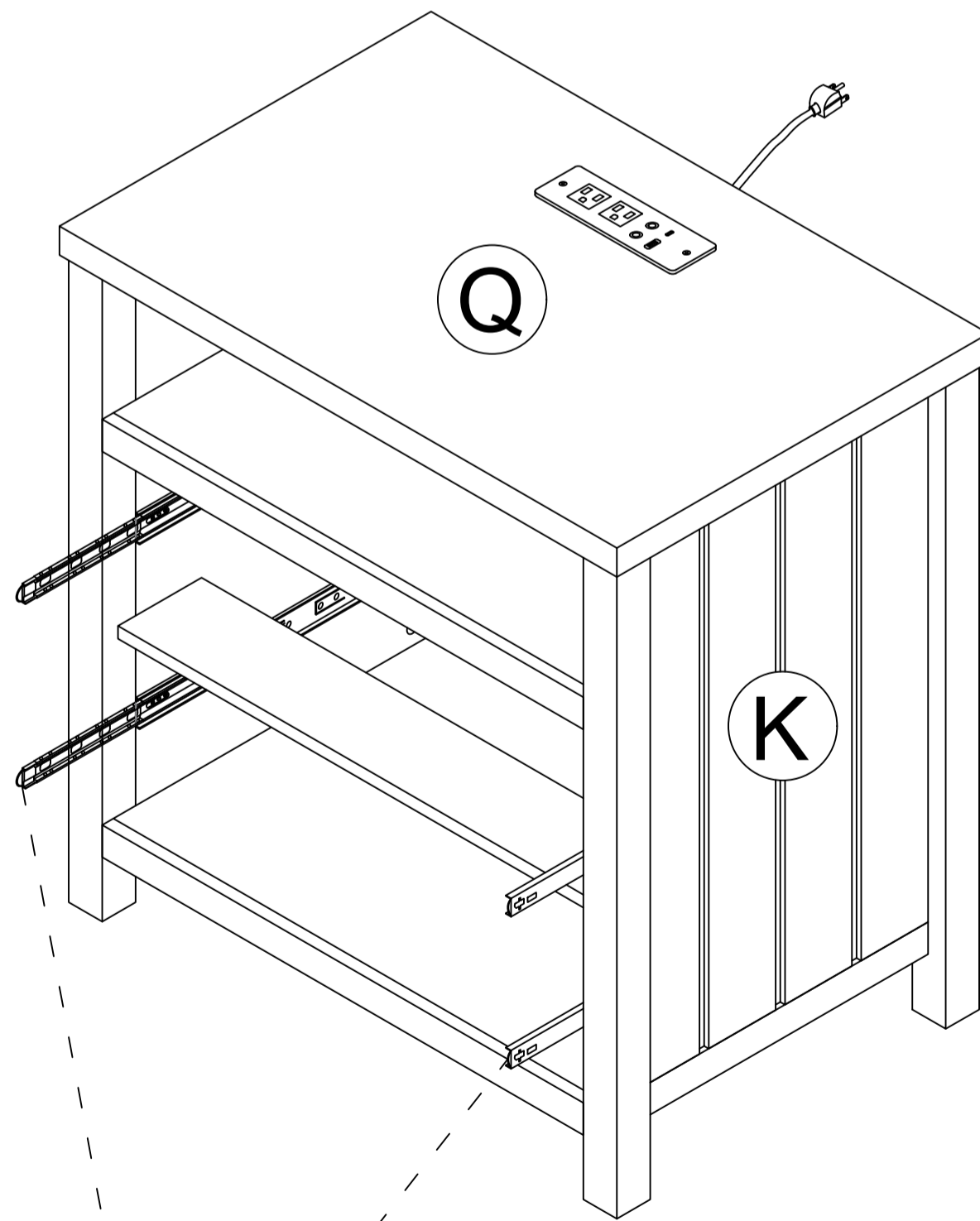


Step 31

Thread the Lamp power cord through the hole on board No. (P)

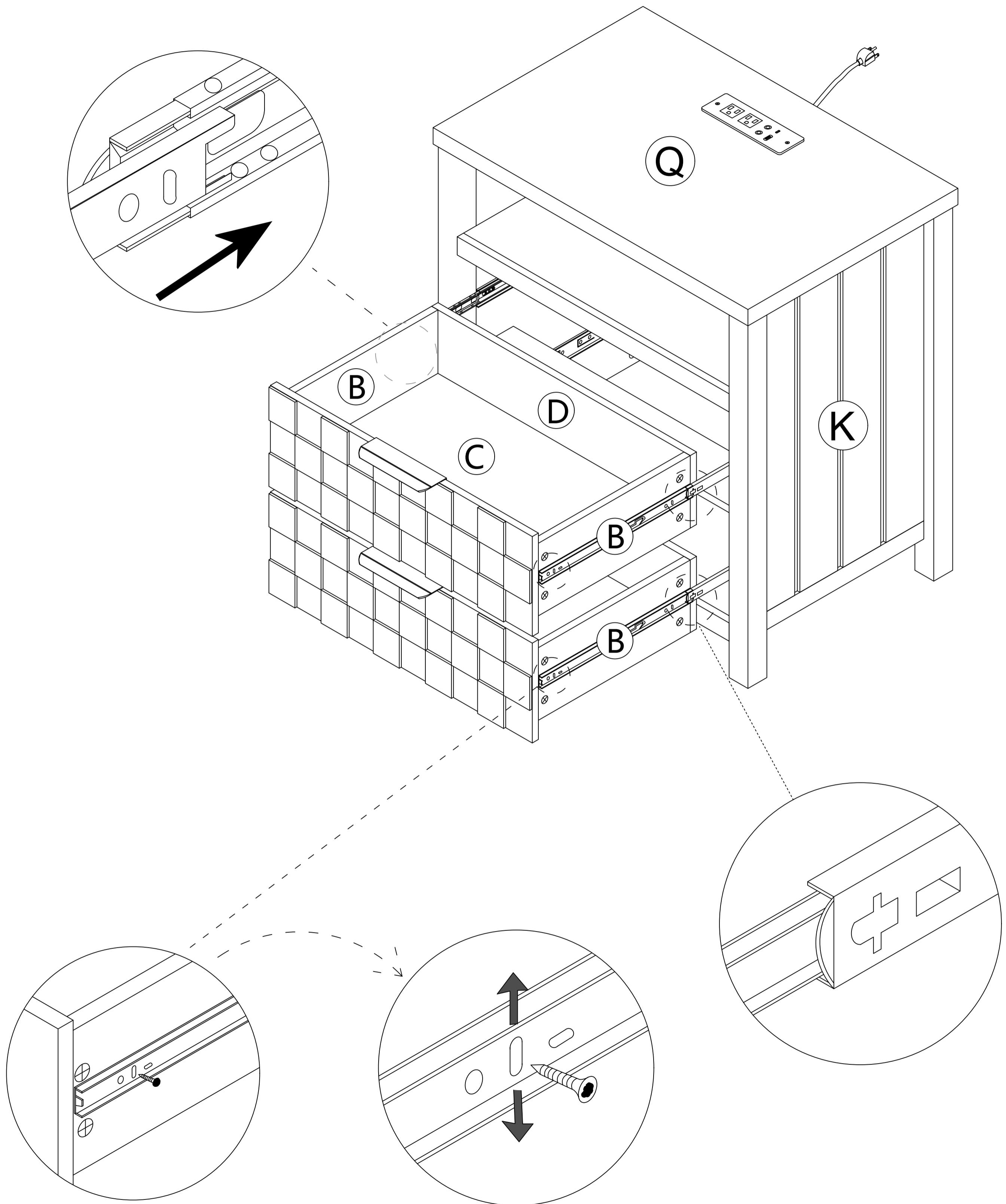


Step 32



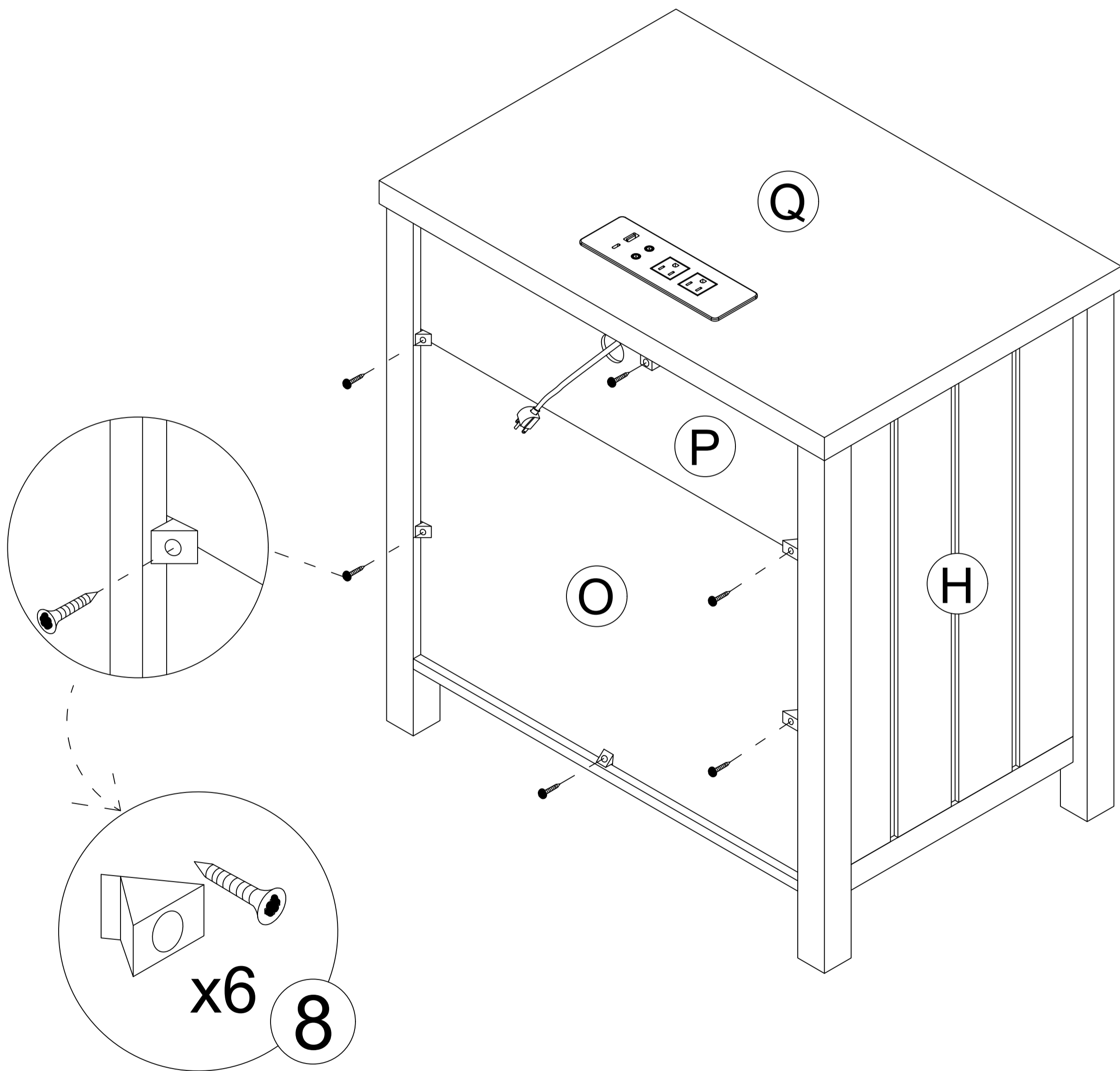
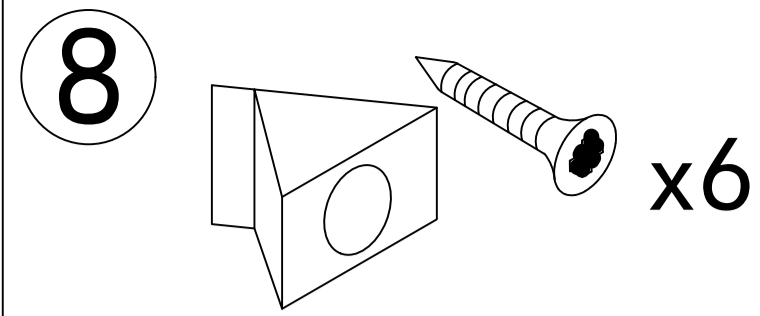
As shown, When installing the drawer, pull the guide rail out first, Slide beads are also pulled out.

Step 33



If a large gap is found after installing the drawer the slide rail can be moved up and down to adjust the gap

Step 34





User's Guide

Thank you for purchasing this product.

To use this product, please plug it into a 12V DC power supply.

Please use if the product works normally after connecting to power.

Introduction

The box is an intelligent controller. It has 1 USB output port 1 Type-c port and can distribute the current output up to 5V DC-2A. With 2 touch buttons, it can turn. ON/OFF the light, change light colors, and adjust the light luminance.

Operation



This touch button is used to turn on/off, change colors, and adjust brightness.

A. Short touch -> lighting on -> short touch -> change light color -> short touch -> change light color -> short touch -> lighting off.

B. Long touch -> adjust the luminance.

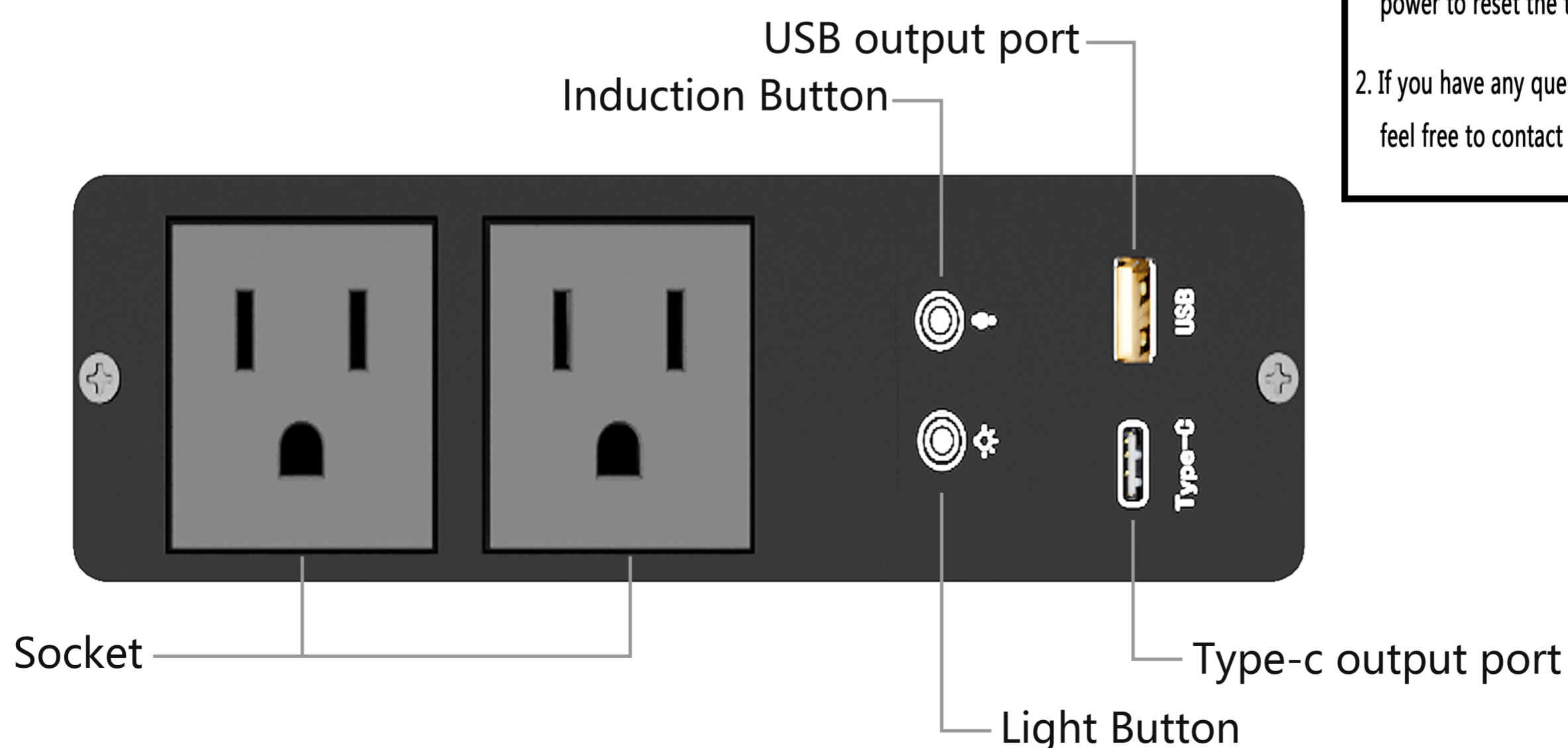


This touch button is used to turn on/off the induction function.

A. Short touch to turn on the induction function. It can auto-turn on the light when people are close to the controller in 1 meters. It can auto power off the light when the body is far away from the controller after 30 seconds.

B. Long touch to turn off the induction function.

C. Note: When you touch the light button to change the light modes, the induction function will automatically turn off. It is best to turn on this function after selecting the light color and adjusting the brightness you want.



ATTENTION PLEASE

1. If there is no touch response suddenly, Re-plug the power to reset the touch static electricity.
2. If you have any questions when installing, please feel free to contact us. Thank you.

Socket styles differ by region,
but their overall functions remain unchanged.

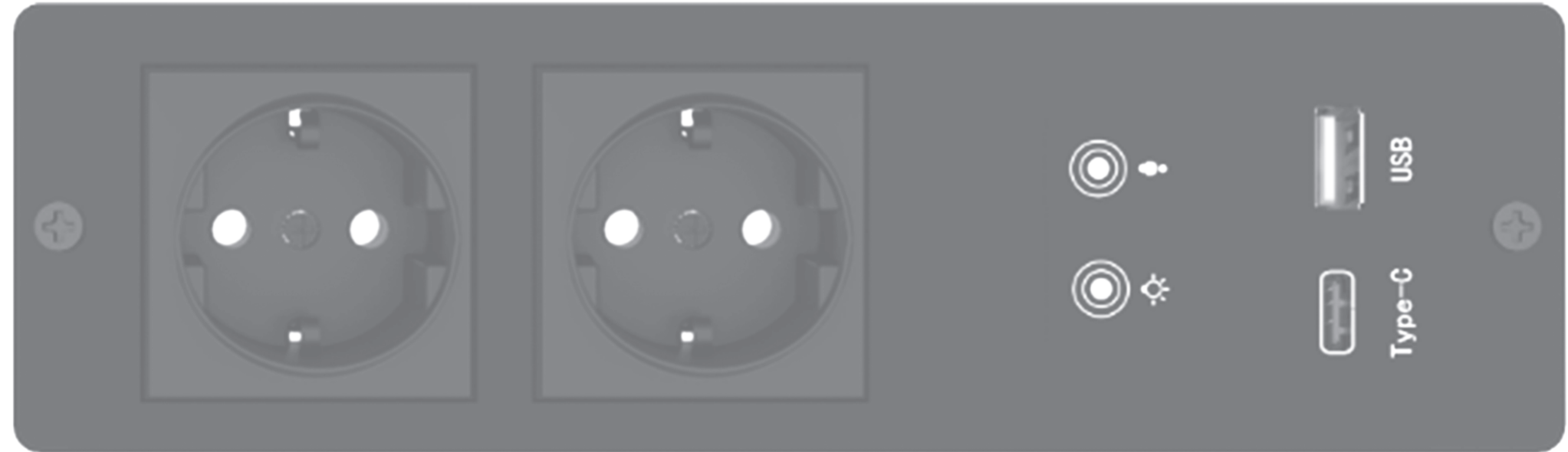
American socket



British Socket



European socket



Australian socket

