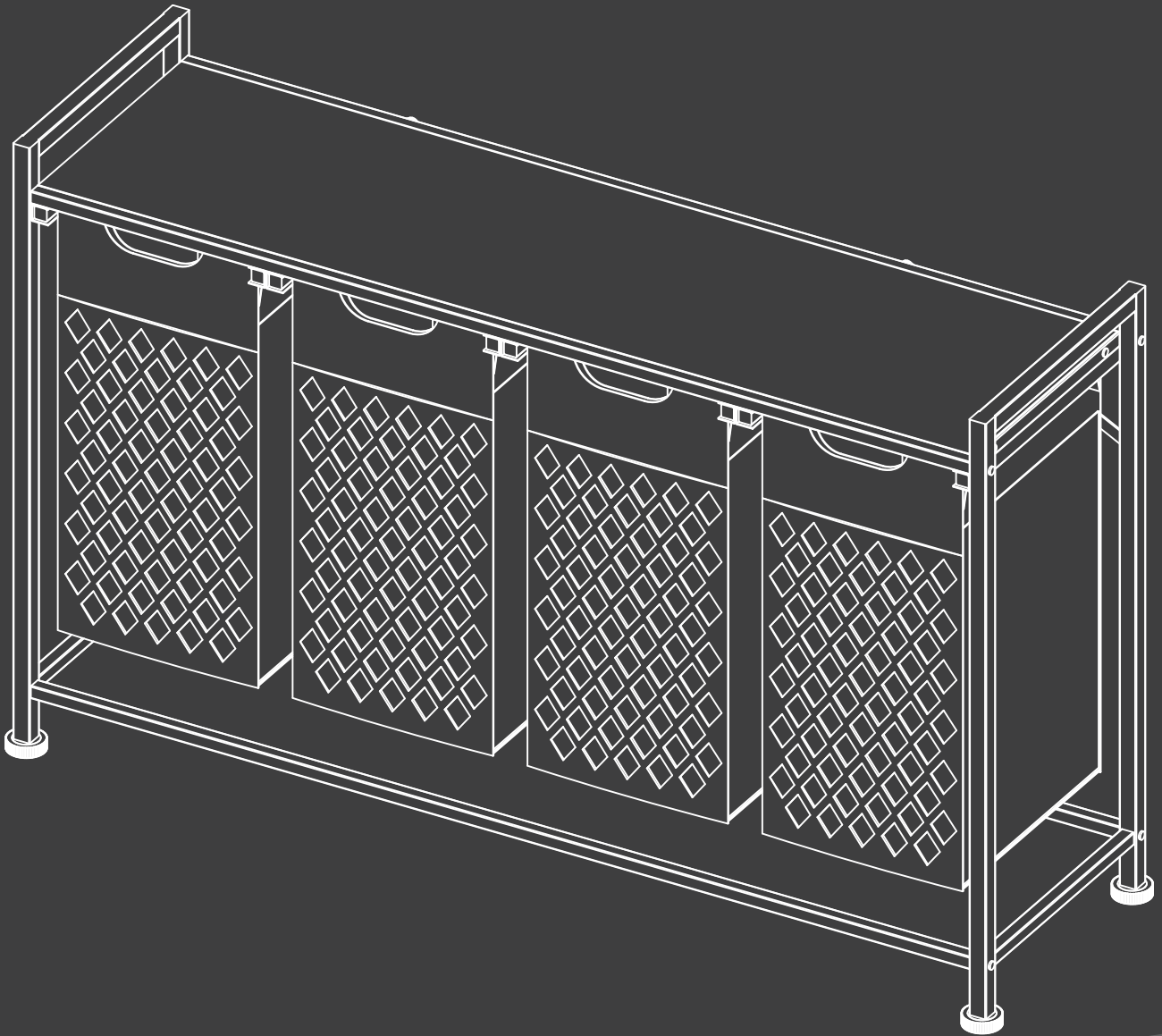


Laundry Hamper

Instruction Manual

ZYL-T4L44-RUST-V2



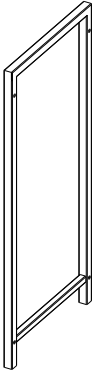
✉ HJ-Customer-Service@outlook.com

☎ (909)637-7665 | (909)637-7593

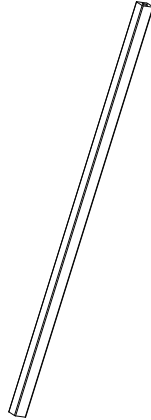
EST 9:00AM--17:00PM

1 Component List

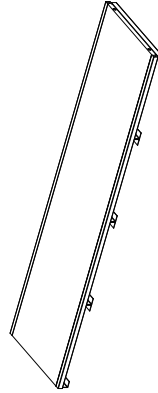
A X2



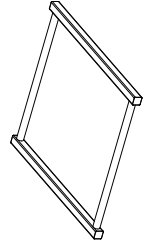
B X2



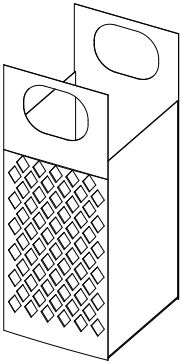
C X1



D X4



E X4



F X2

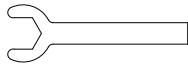


2 Supplied Parts and Hardware

1 X1



2 X1

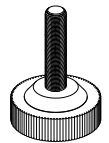


3 X8

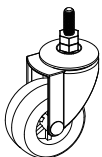


M6*35mm

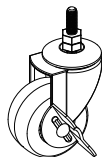
4 X4



5 X2



6 X2







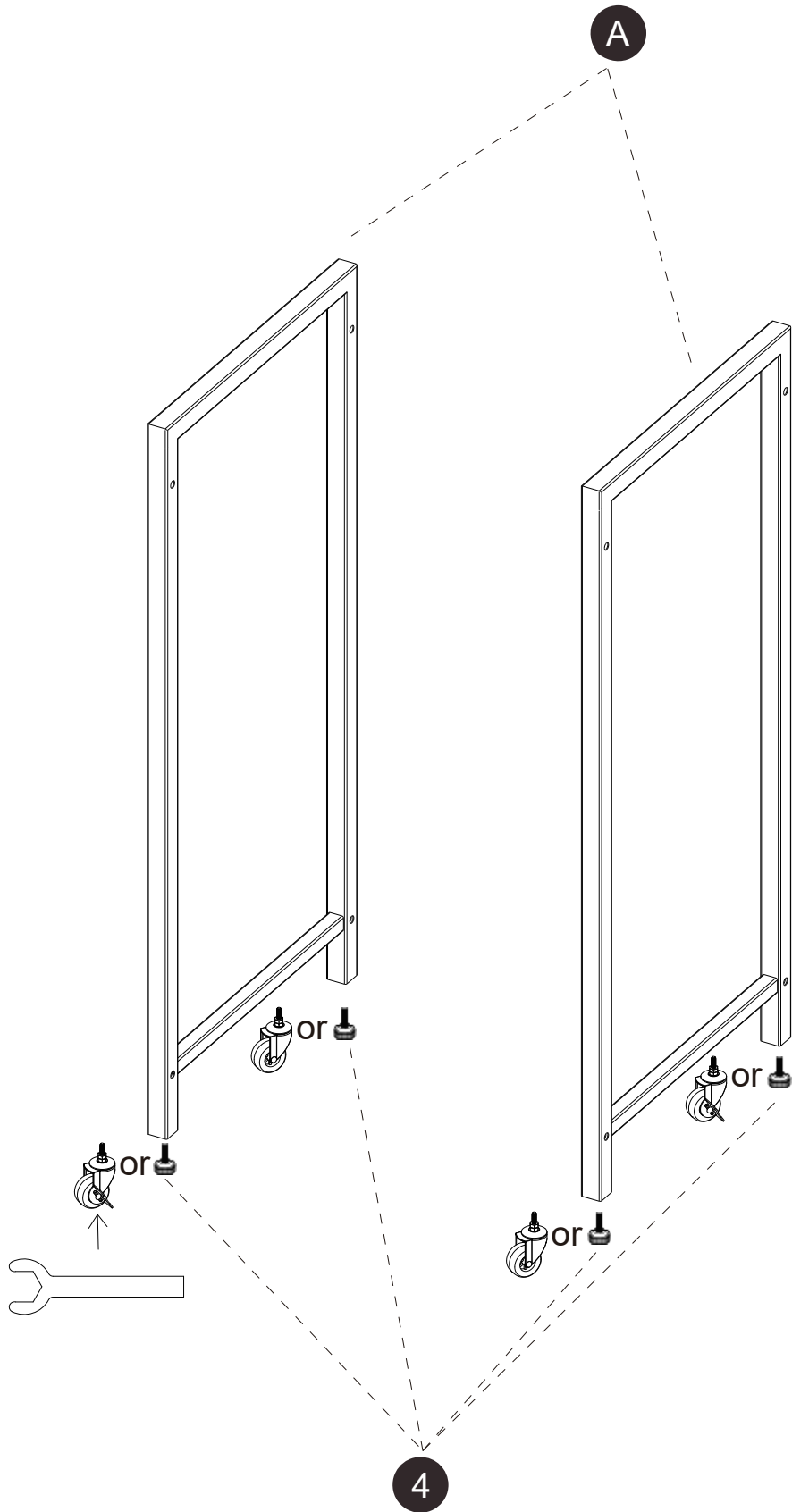
7 X4





M6*10mm

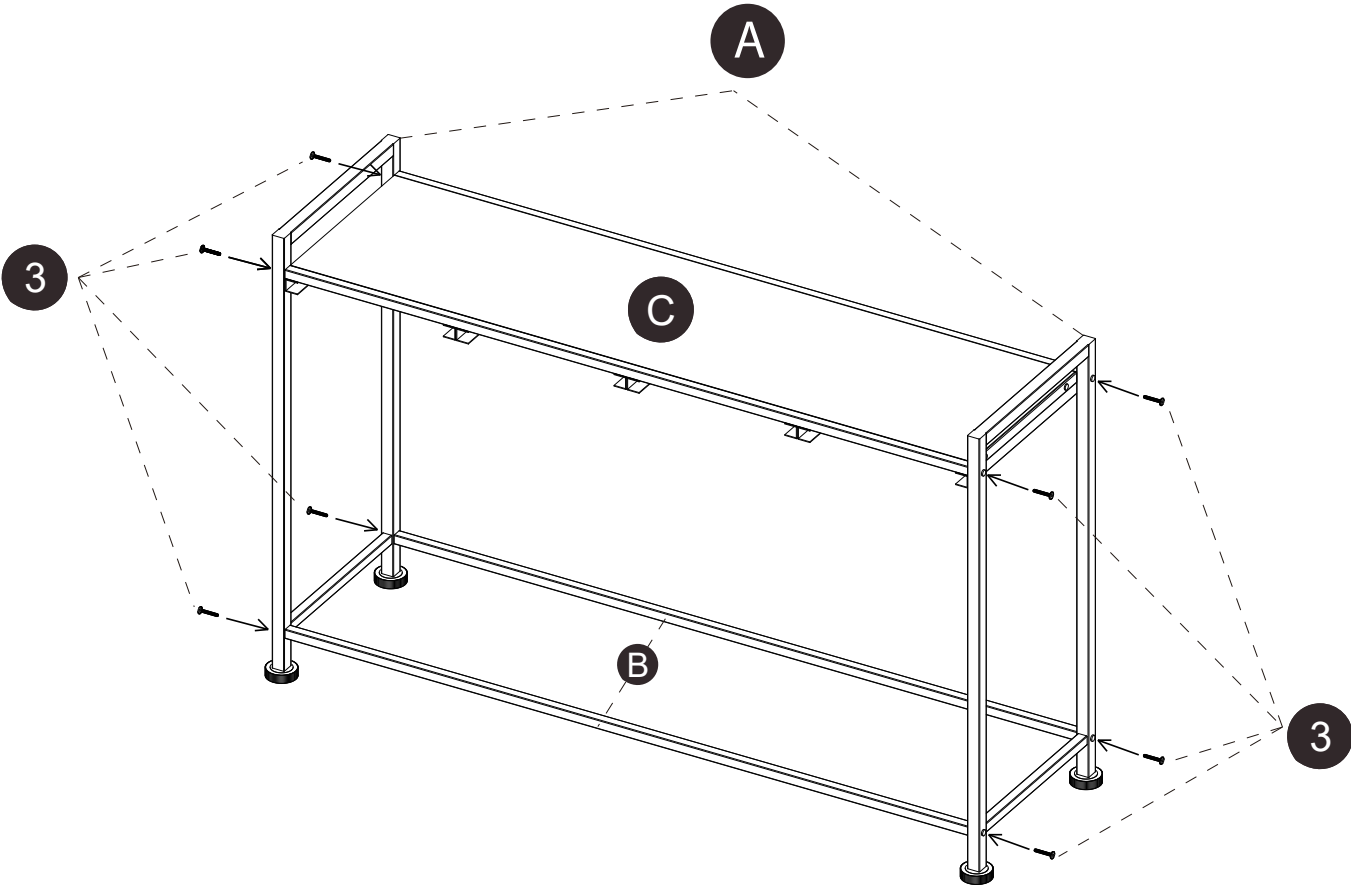
Step 1

 2 x1	 4 x4	 5 x2	 6 x2
-------------------------------------------------------------------------------------------	---------------------------------------------------------------------------------------------	---------------------------------------------------------------------------------------------	---------------------------------------------------------------------------------------------





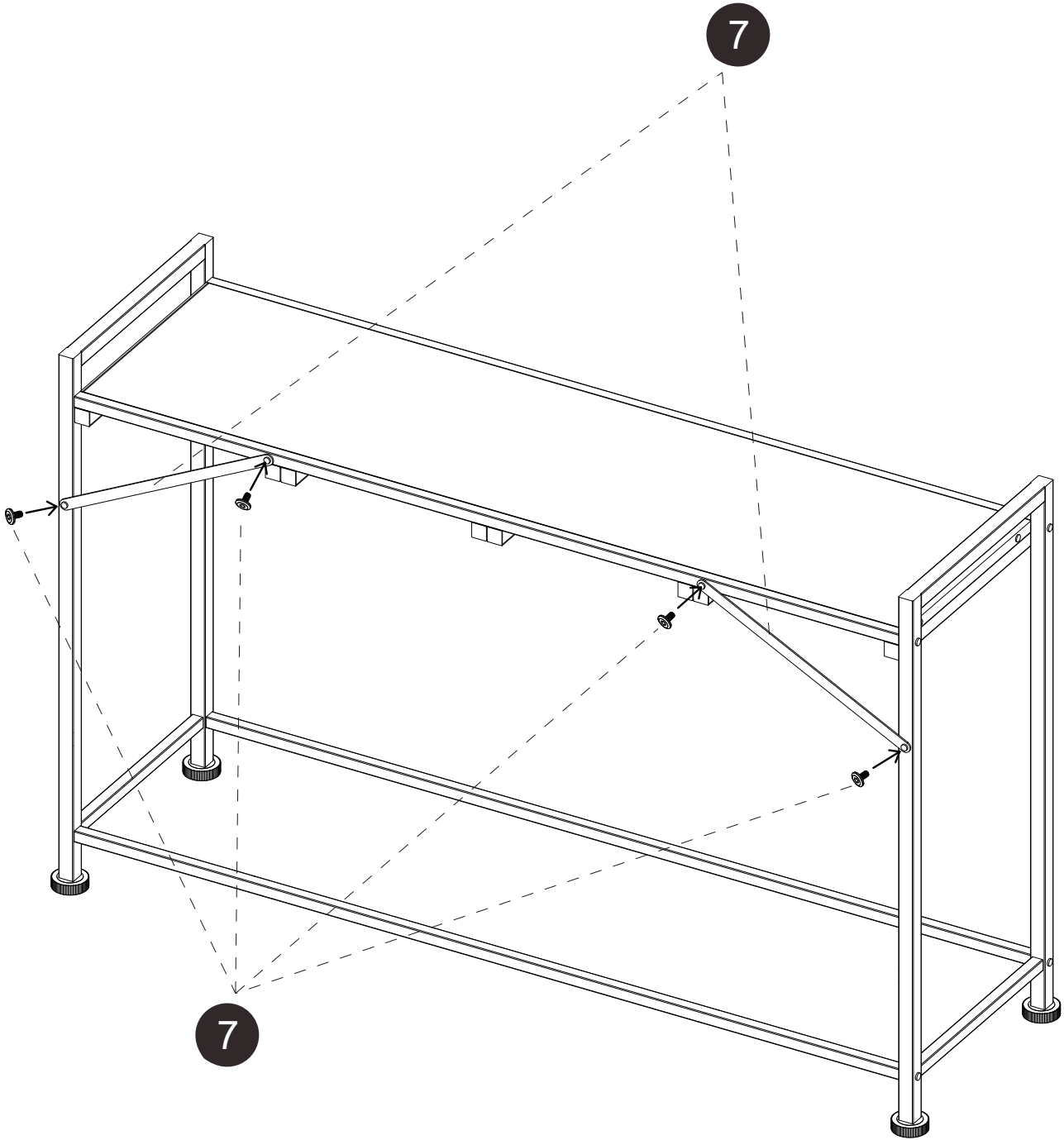
Step 2

 M6*35mm 3 x8	 1 x1
---------------------------------------------------------------------------------------------------------------	----------------------------------------------------------------------------------------------------

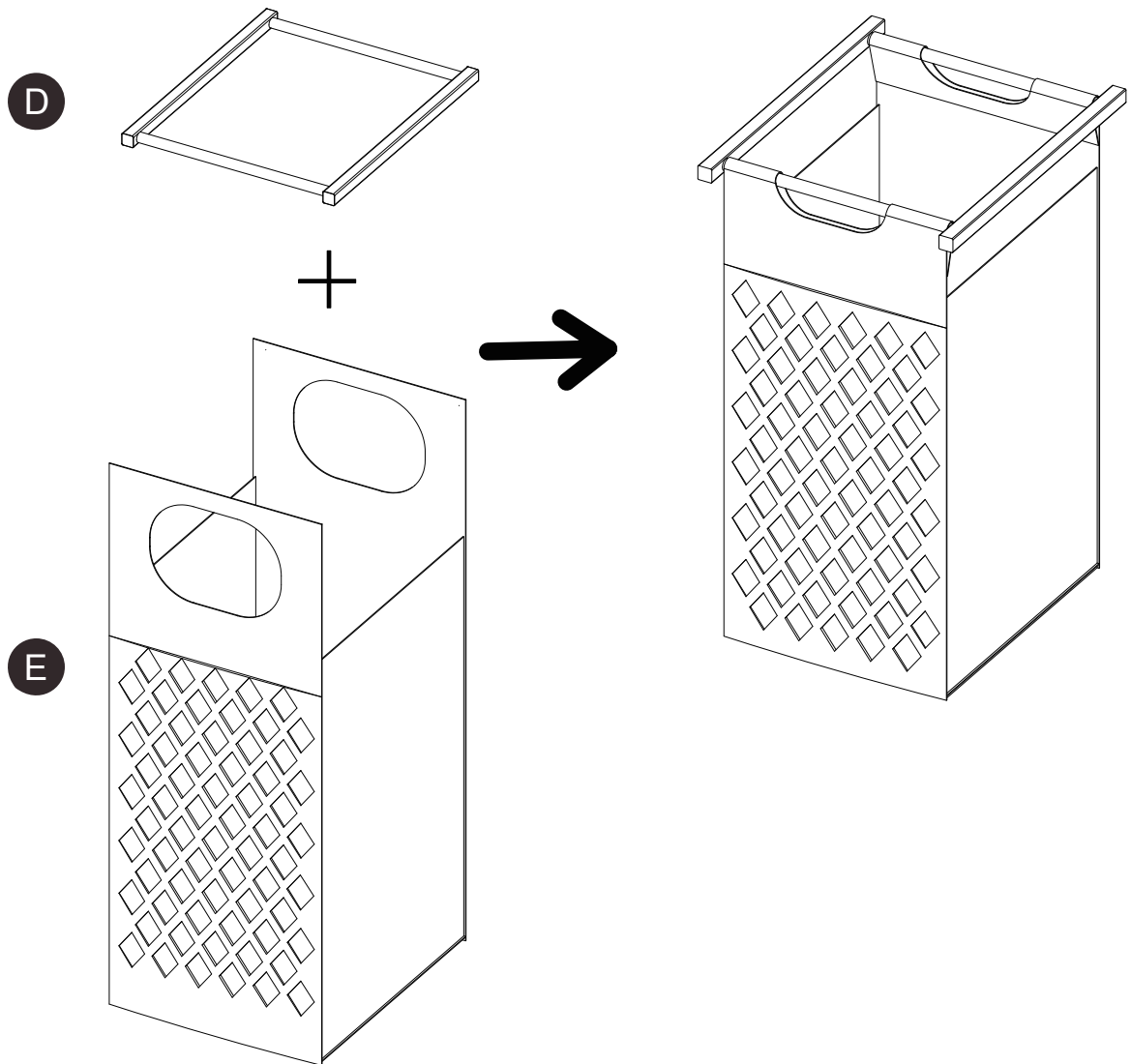


Step 3

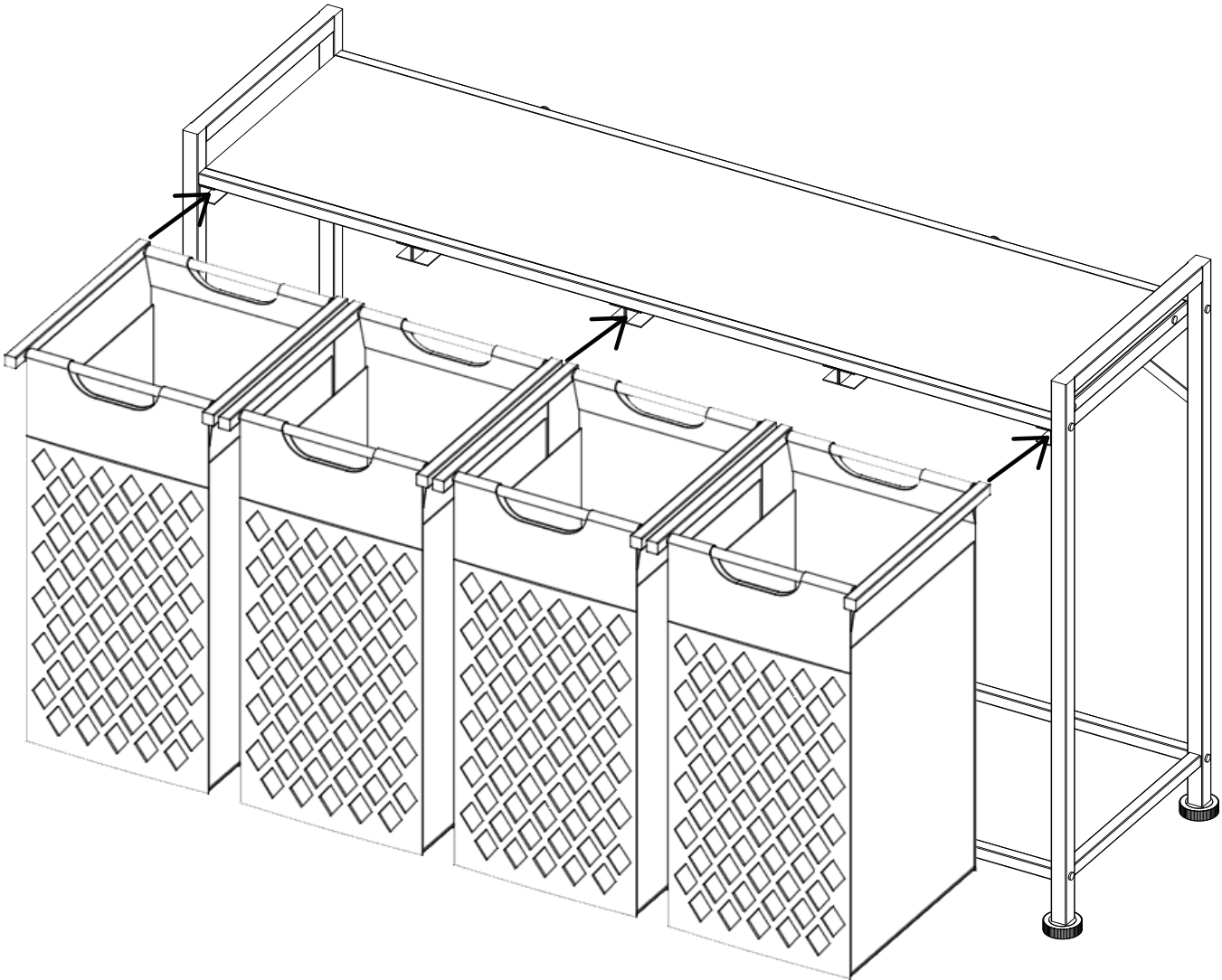
 M6*10mm 7 8pcs	 1 1pc
-----------------------------------------------------------------------------------------------------------------	-----------------------------------------------------------------------------------------------------



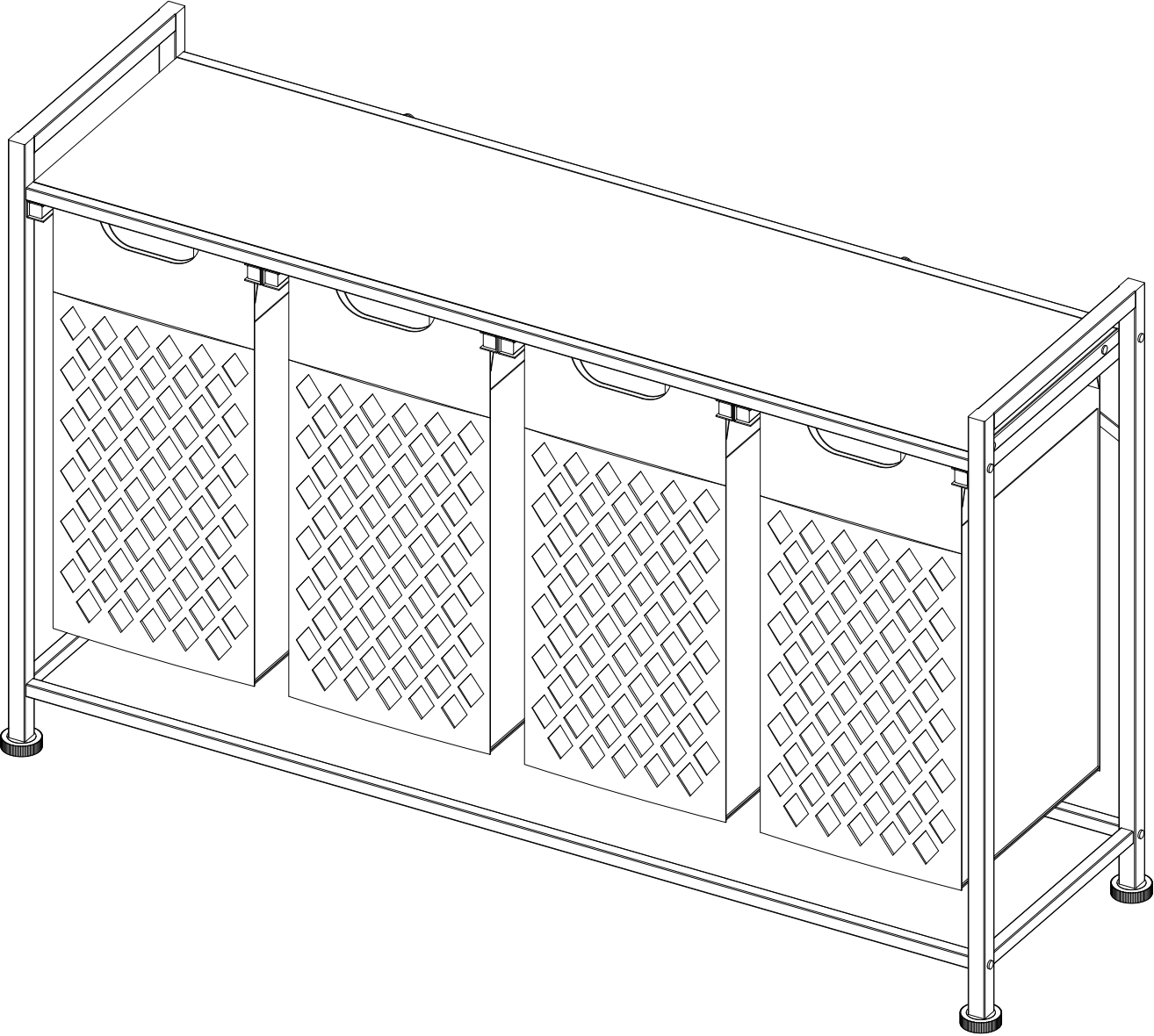
Step 4

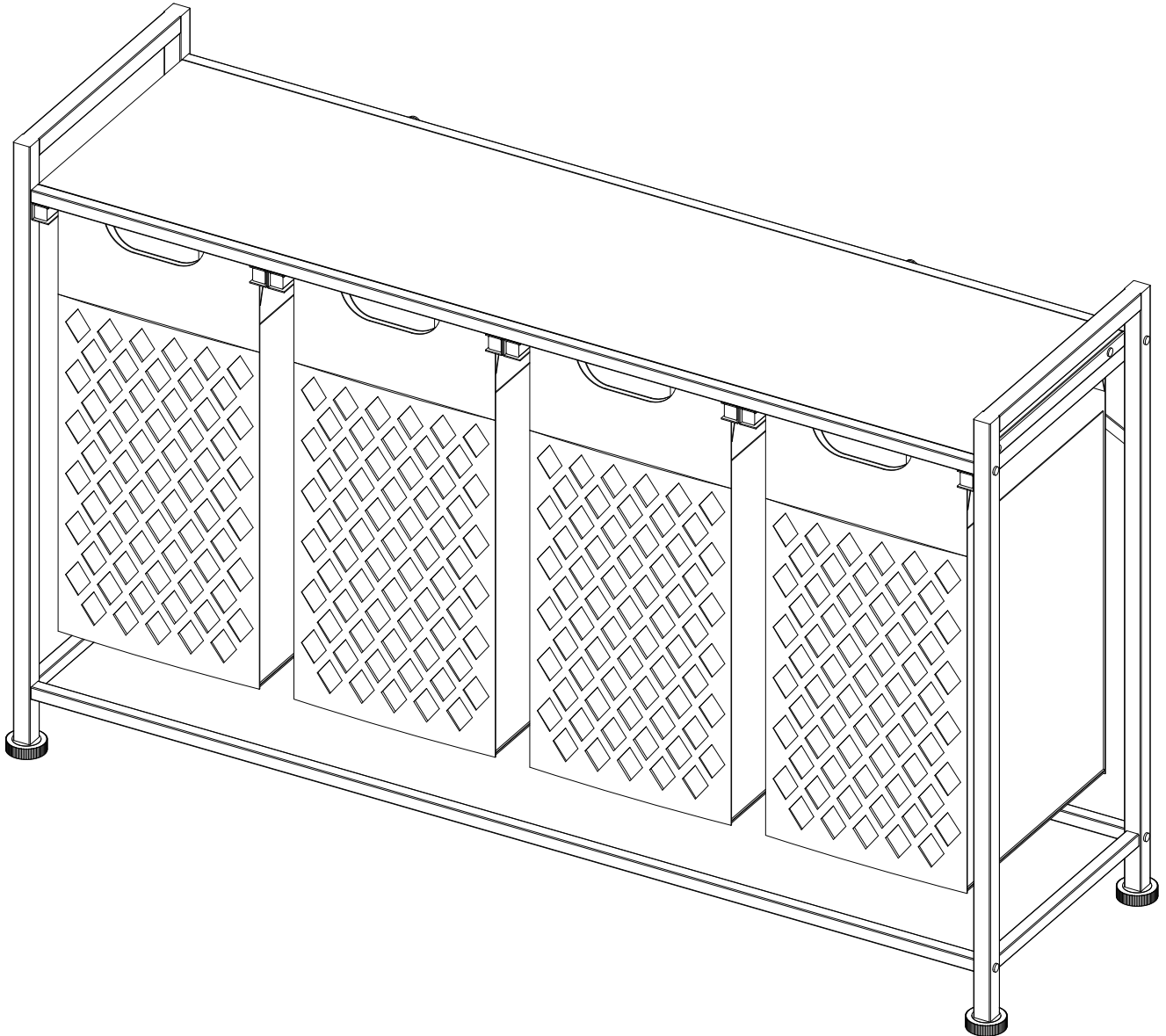


Step 5



Step 6





Technical Support

(909)637-7665 | (909)637-7593

Other Info

HJ-Customer-Service@outlook.com

Thank you for choosing this product. We strive to provide you with the best quality products and services in the industry. Should you have any issues, please don't hesitate to contact us.