

Warranty

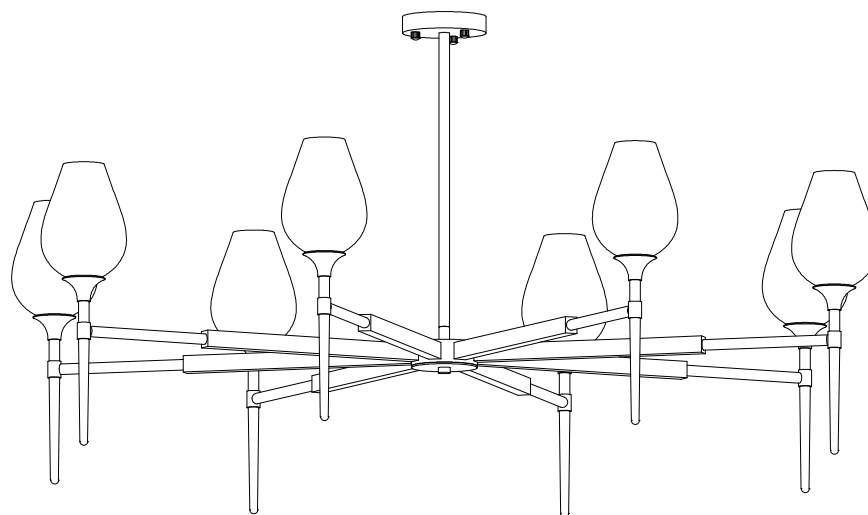
We offer a one-year warranty for the light fixtures. Our warranty ensures that any issues related to the performance or functionality of the light fixtures will be addressed and resolved promptly.

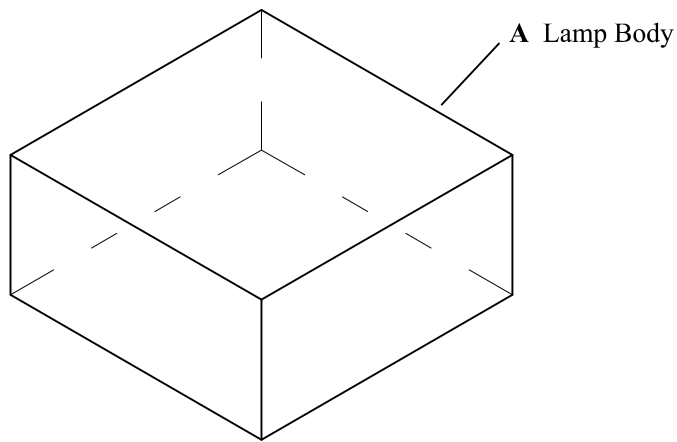
Our dedicated customer service team is available 24 hours a day to assist you. If you have any questions or concerns, we guarantee a response within 24 hours. During the warranty period, if you encounter any problems or need assistance, please don't hesitate to reach out to us via email. To ensure a swift and accurate resolution, kindly provide your order ID and detailed information regarding the issue.

Important Note: Please use this light fixture only for its intended purpose and avoid retrofitting or remodeling it. The warranty does not cover failures caused by third-party products or natural disasters.

INSTALLATION INSTRUCTION

DSMZL1001-GD105(JXSJSDD)





SAFETY INFORMATION

It is important to thoroughly read and understand the entire manual, before assembling, operating, or installing the product,

WARNING

- TURN OFF ELECTRICITY before installation, changing bulbs, or cleaning the light fixture.
- This fixture requires 8 pieces E12 bulbs(included in the product, the maximum wattage for each bulb is 40W, please do not exceed the recommended wattage.
- A QUALIFIED ELECTRICIAN IS RECOMMENDED FOR INSTALLATION.
- Do not use corrosive substances such as gasoline or alcohol disinfectants to wipe the lamps, otherwise it will damage the lamps.

PREPARATION

- Before installation, please make sure all the accessories are included (refer to the package content), if there is any part missing, please contact us at the order page, we will arrange the replacement in a timely manner
- 8 pieces of E12 bulbs(Max. 40W) are required(included in the product)
- For any questions or inquires, please feel free to contact us at the order page, our customer service team will reply ASAP.

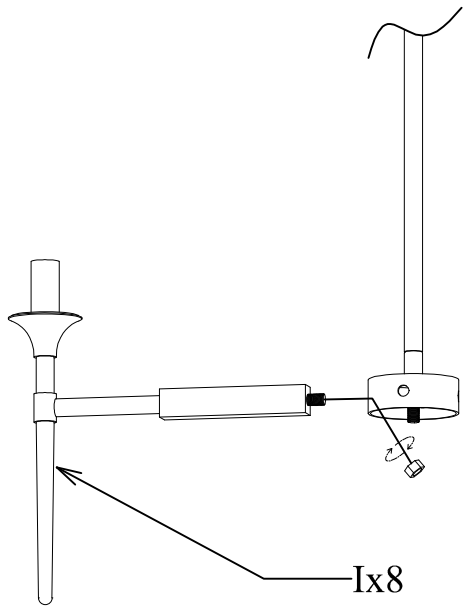
Please note:

Please check the parts list, if the parts are missing during your actual installation, please contact us, we will help you in time!

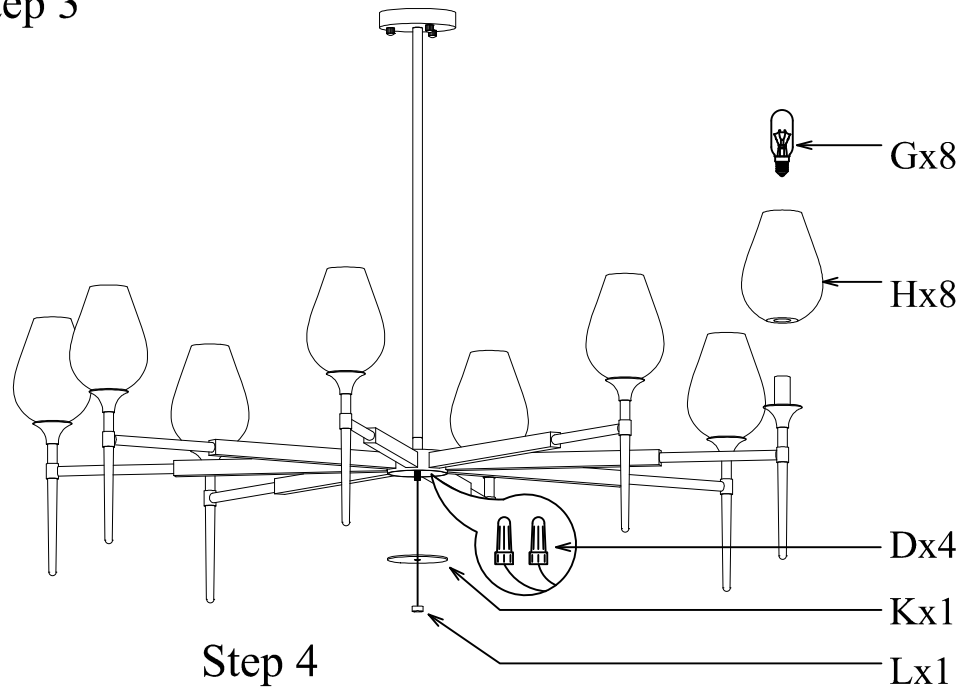
Maintenance:

To ensure safe and efficient use of this product, please clean the lamp regularly (once a month). Before cleaning, turn off the power and wait for the lamp to cool to room temperature. Then use a soft cloth dipped in water and wrung dry to wipe it clean.

Installation instruction



Step 3



Step 4

PACKAGE CONTENTS

Ax3



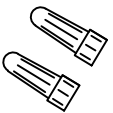
Bx1



Cx3



Dx4



Ex1



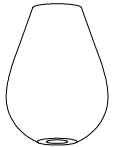
Fx3



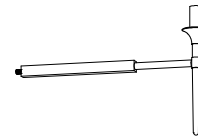
Gx8



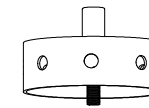
Hx8



Ix8



Jx1



Kx1



Lx1



Mx2



Nx4



Ox2



Please note:

Please check the parts list, if the parts are missing during your actual installation please contact us, we will help you in time!

This manual only shows the installation steps for one size, and the installation methods for other sizes of products are similar.

Now, let's complete this light together.

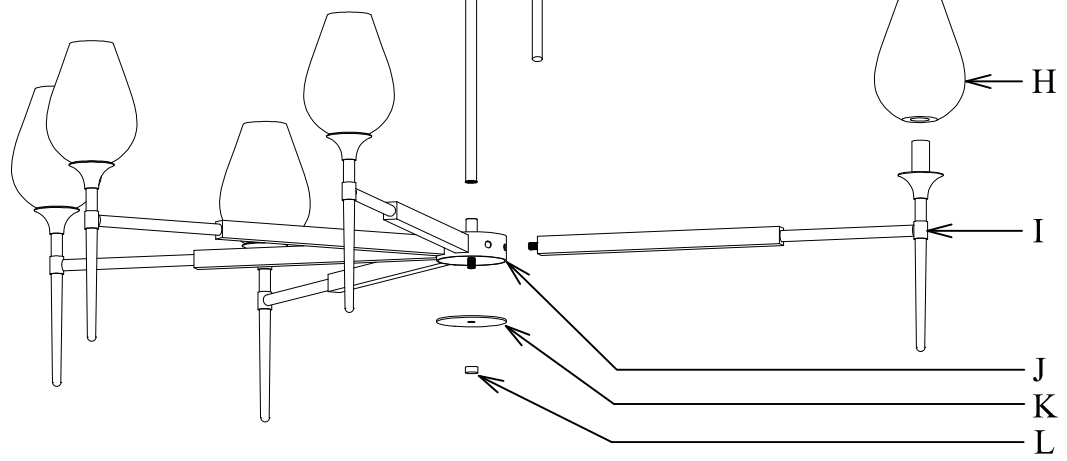
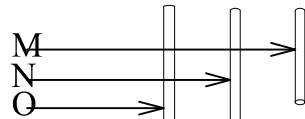
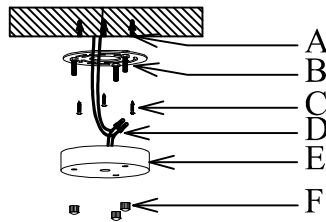
Be patient.....

and fully utilize your artistic talentt

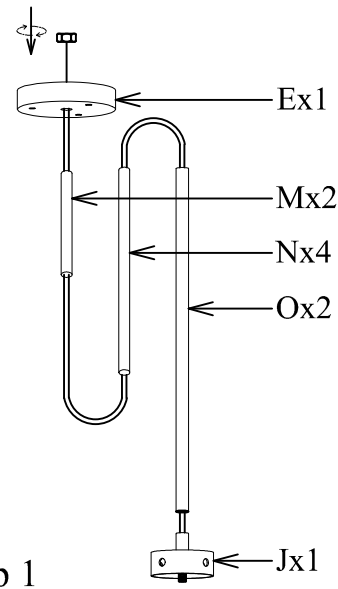
What awaits you after completion is incredible beauty!

Installation instruction

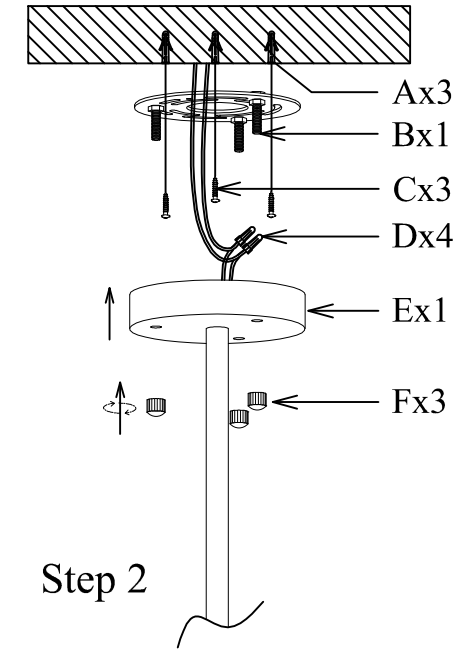
1. Adjust the length of hanging cable and wire according to your requirement.
2. Take off the mounting bracket from ceiling canopy, and install it on ceiling.
3. Connect lamp wires and your house wires together.
4. Install the lamp frame on ceiling.



Installation instruction



Step 1



Step 2