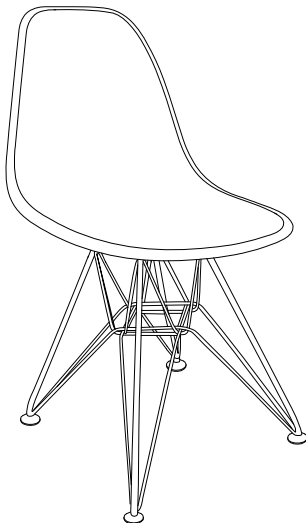


CHAIR

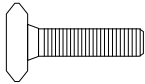





Thank you for purchasing this chair!

Before you start, here is some helpful advice:

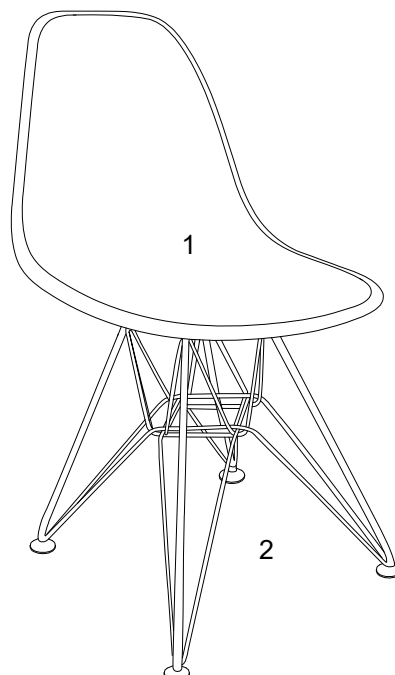
1. We suggest you spend a short time reading through this leaflet and then follow the simple step-by-step instructions.
2. Owing to the size and weight of the chair, we recommend that it is assembled by two adults, on a carpeted or padded area, in the room that it is intended for. Approximate assembly time: 30 minutes.
3. Please do not use any tools other than those provided or recommended in these instructions.
4. Please do not throw away any of the packaging or the instruction until you have checked all the components and hardware and the furniture is fully assembled. Please ensure that the packaging is disposed of in a safe and environmentally friendly way.
5. Assemble all components loosely until advised to tighten. Depending on use, it may be necessary to tighten the components from time to time, so please save the tools that have been provided.
6. Please keep all fitting out of reach of children.



Hardware:

A		Bolt M6x15mm	x 4
B		Spring Washer M6	x 4
C		Flat Washer M6	x 4
D		Plastic Washer	x 4
E		Leveler	x 4
F		Allen Wrench M4	x 1

Component:



1 Chair Body x1

2 Chair Base x1

CHAIR

STEP 1:

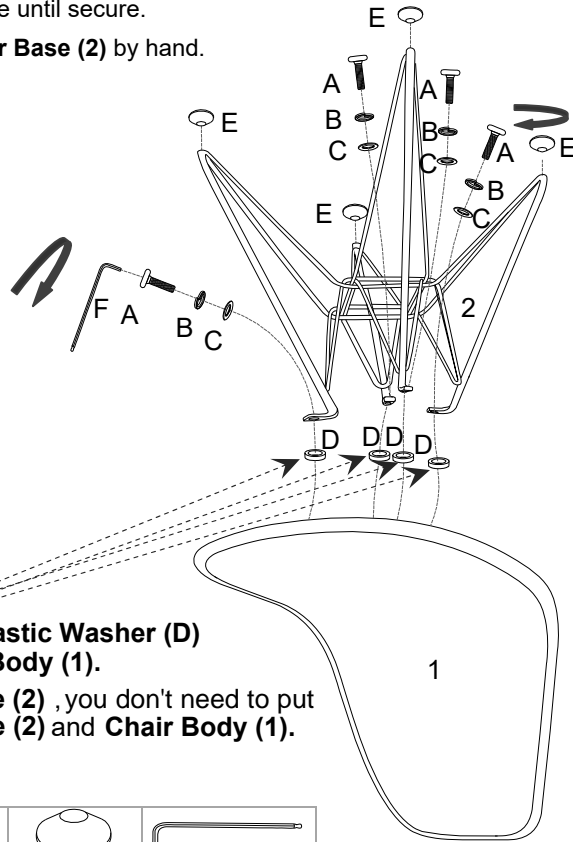
Please put **Chair Body (1)** upside down on a carpeted or padded area.

Place **Chair Base (2)** to **Chair Body (1)** as shown.

Insert 4 pieces of **Bolt (A)** with 4 pieces of **Spring Washer (B)** and 4 pieces of **Flat Washer (C)** through the holes on 4 pieces of **Plastic Washer (D)** and **Chair Base (2)** into the holes on bottom of **Chair Body (1)** as shown.

Use **Allen Wrench (F)** to tighten all **Bolts (A)** clockwise until secure.

Secure 4 pieces of **Leveler (E)** into the bottom of **Chair Base (2)** by hand.



ATTENTION: 1. Make sure to position 4 pieces of **Plastic Washer (D)** between **Chair Base (2)** and **Chair Body (1)**.

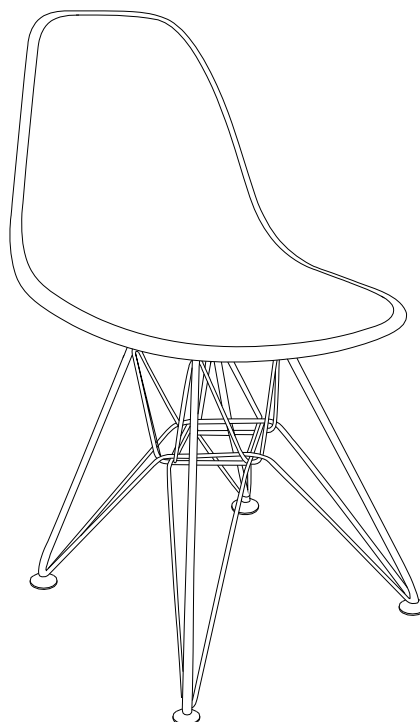
2. If you buy to match with the **Chair Base (2)**, you don't need to put **Plastic Washer (D)** between **Chair Base (2)** and **Chair Body (1)**.

Ax4	Bx4	Cx4	Dx4	Ex4	Fx1

Hardware & Tool required

STEP 2:

Carefully turn over the assembled chair.



Assembly is complete. Your chair is ready to be enjoyed now!