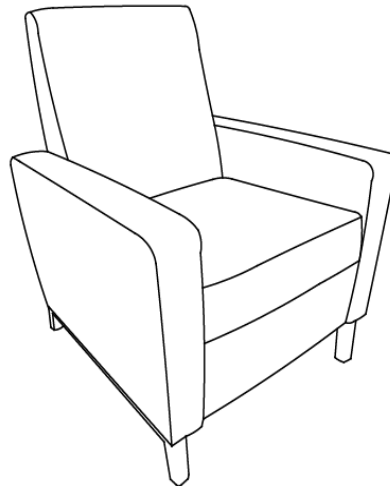


Assembly Instructions


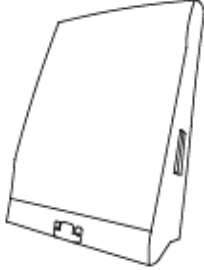
Caution: You must read this before you proceed


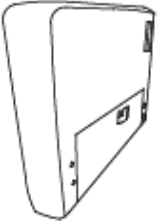



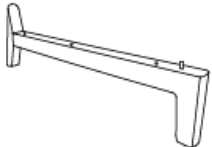
Please look in seat for hardware packs and legs.

Recliner







Parts List

Label	Picture	Description	QTY
A		Seat Panel	1
B		Backrest	1

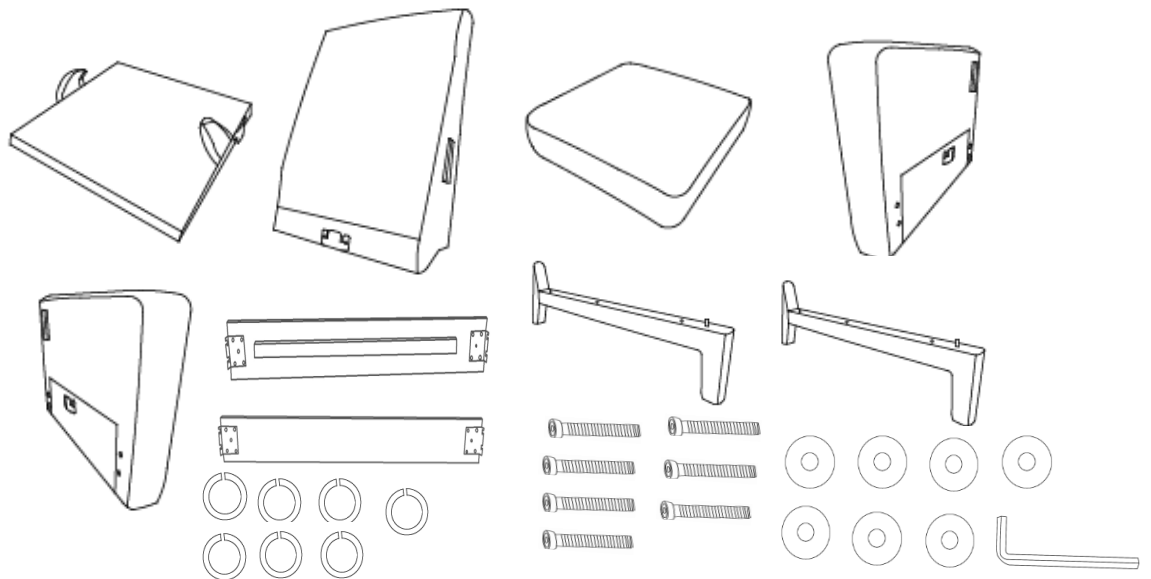
C		Seat Cushion	1
D		Left Arm	1
E		Right Arm	1
F		Front Seat Board	1
G		Back Seat Board	1
H		Wooden Leg	2

Hardware List

Label	Picture	Description	QTY
①		Bolt (M8*60mm)	7
②		Washer	7
③		Spring Washer	7
④		Allen Wrench	1

Assembly Preparation

Before Beginning Assembly:



- Read instructions, cover to cover-



- Have 2 adults on hand for assembly-



- Do not assemble on flooring or carpet-



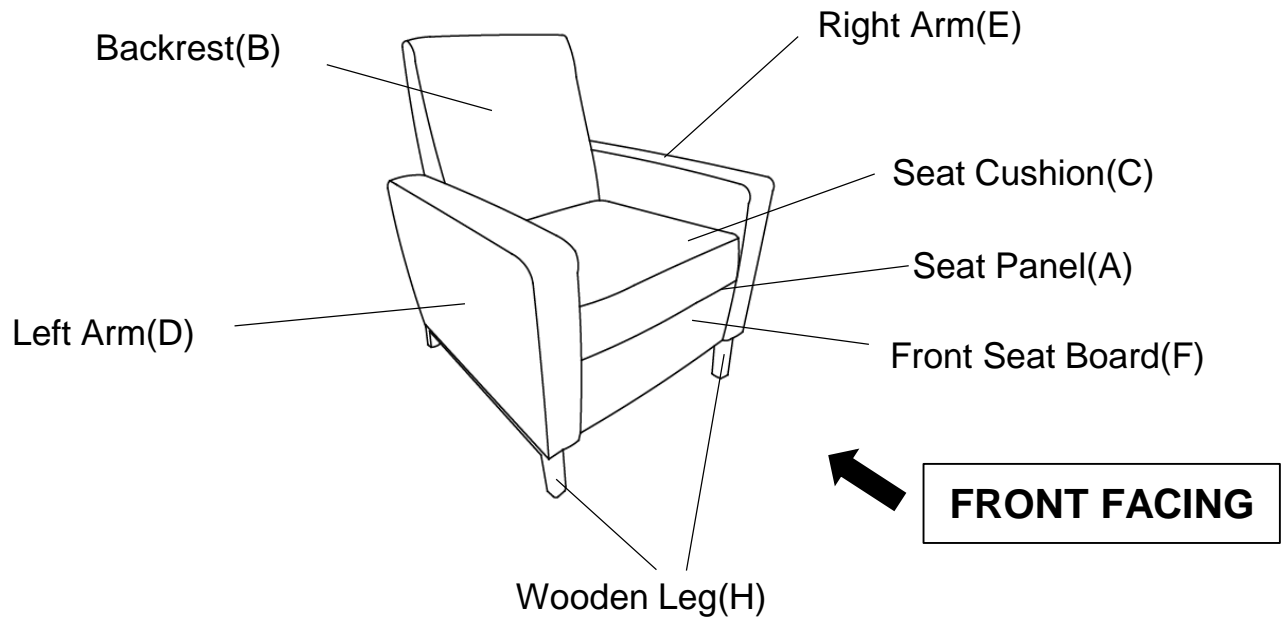
- Assemble on a clean non-marring surface (packing foam)-



- Save all packaging until finished-

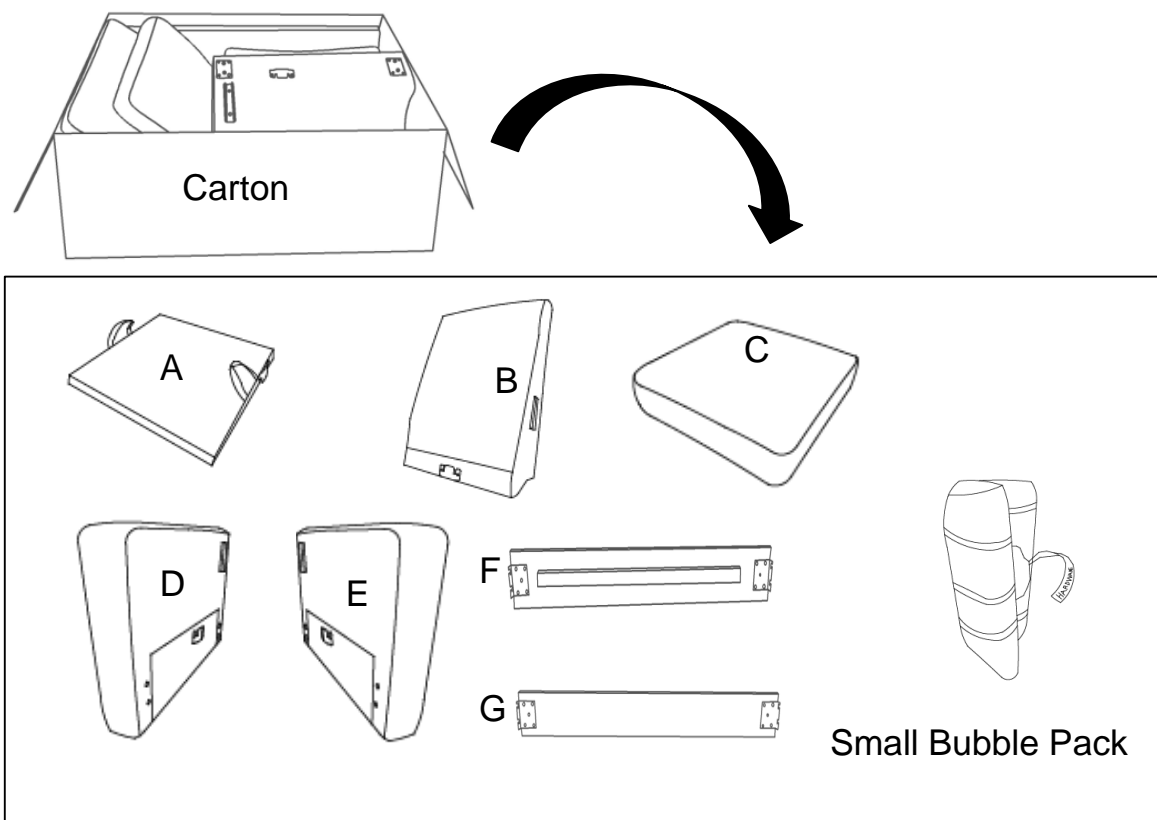
Assembly Steps

Overview



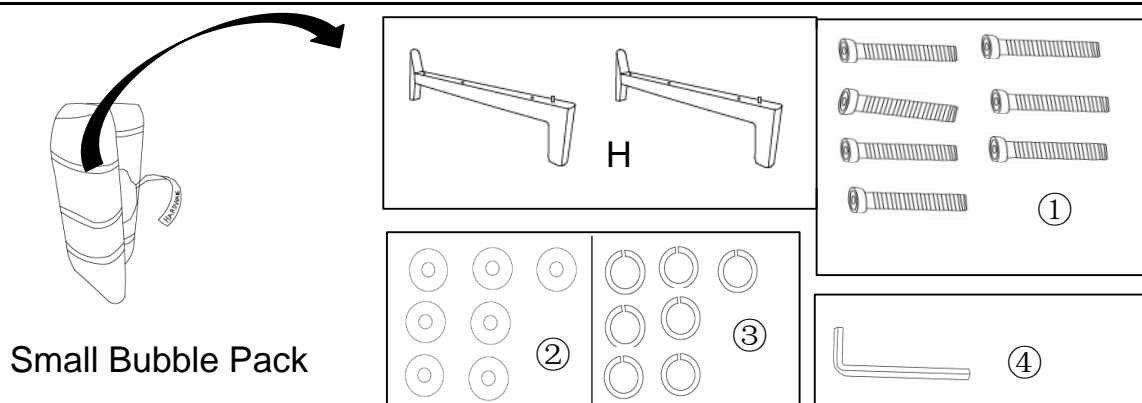
This Recliner has multiple parts and may require about 30 minutes to assemble. To give you an overview of the Recliner parts, the above picture is to help you put the various parts into perspective. Please read through the instructions below to familiarise yourself with the parts and steps before assembly.

Step 1



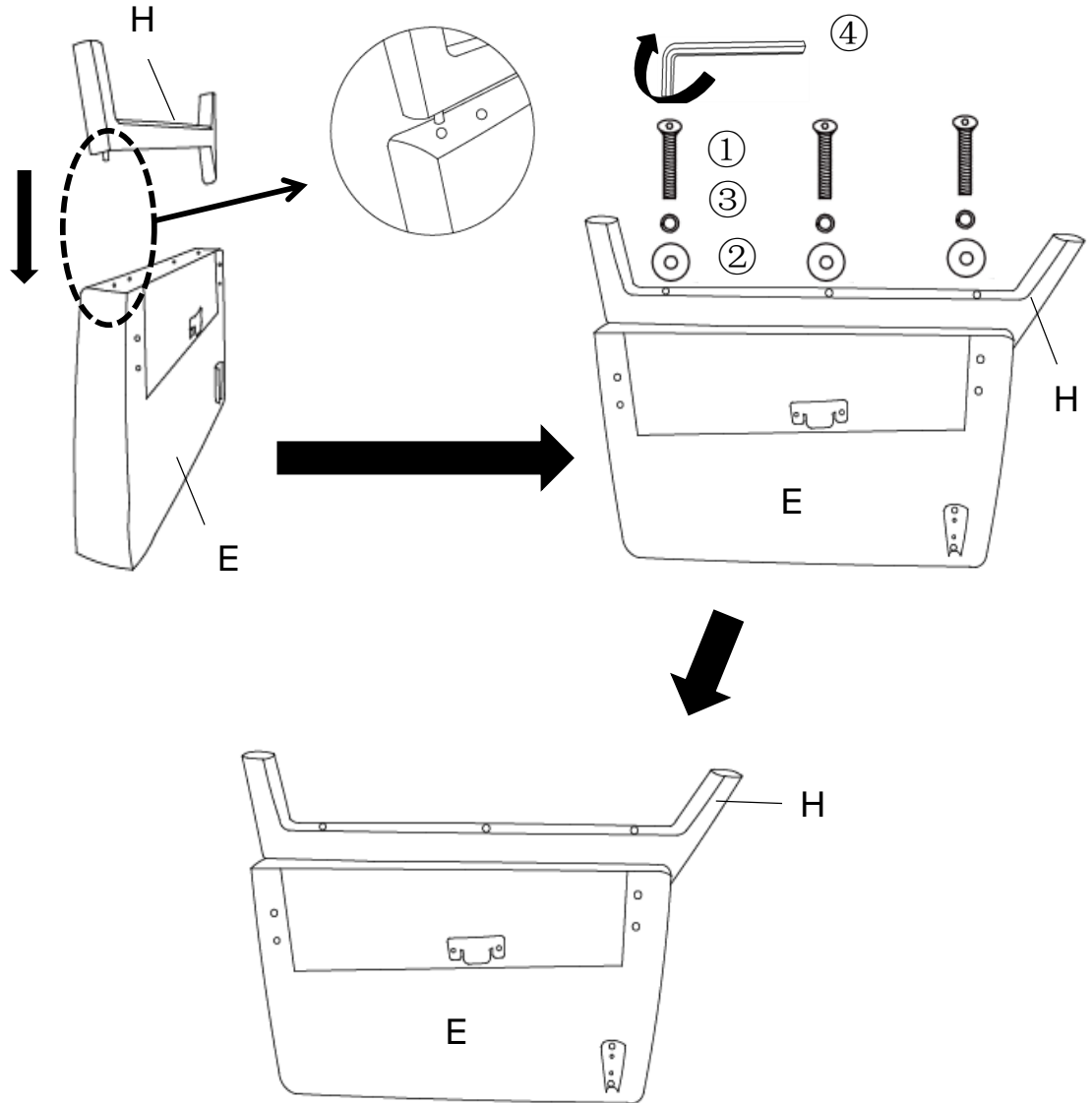
Take the Seat Panel(A), Backrest(B), Seat Cushion(C), Left Arm(D), Right Arm(E), Front Seat Board(F), Back Seat Board(G), and Small Bubble Pack out of the carton and place them on a clean, non-marring surface.

Step 2



Open the Small Bubble Pack to take out the Wooden Legs(H) , Bolts(①), Washers (②) , Spring Washers (③) and the Allen Wrench(④).

Step 3

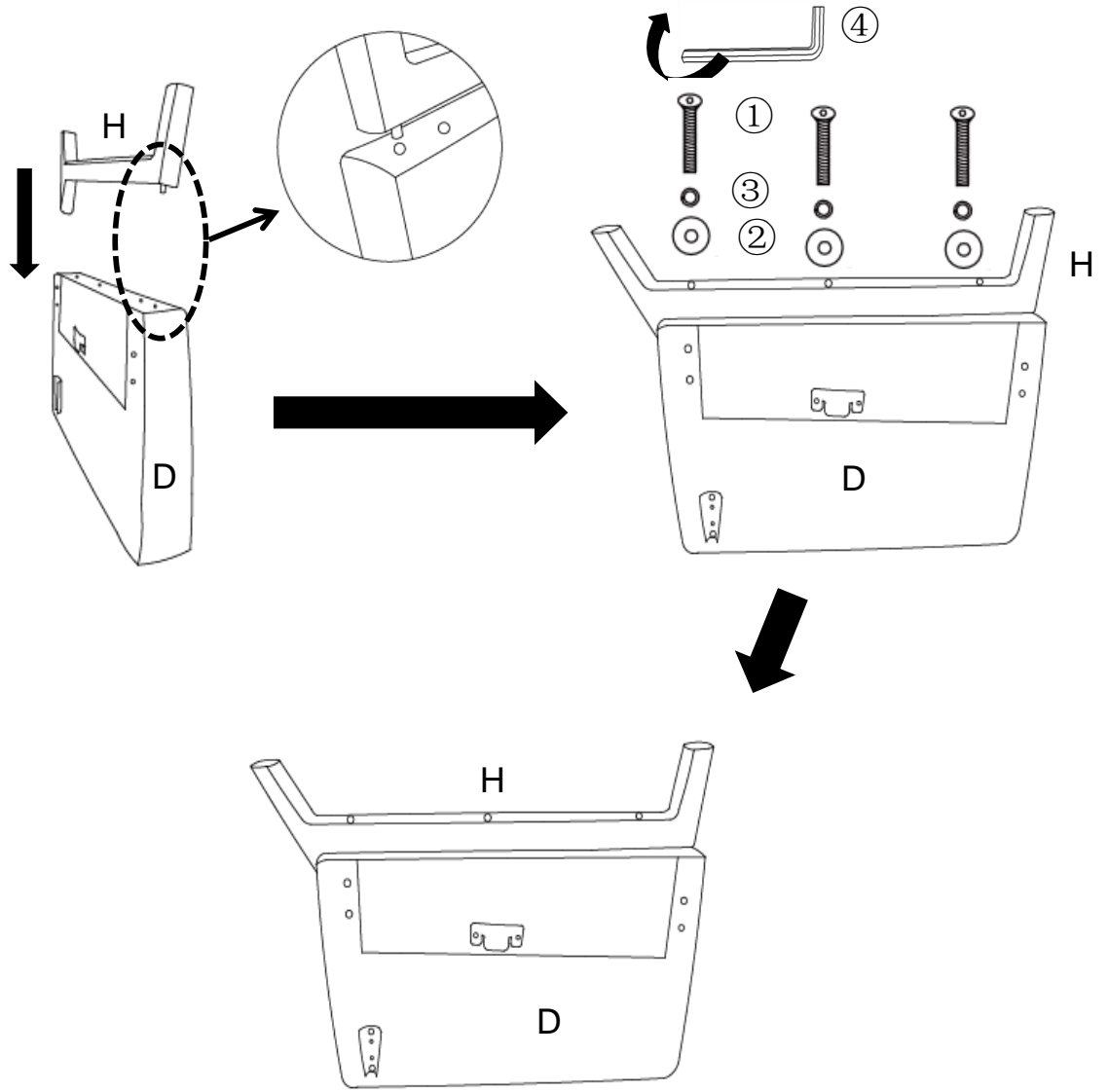


Place the Wooden Leg(H) at the bottom of the Right Arm(E), align the wooden pins of the Wooden Leg (H) with the mounting position at the front end of the Right Arm(E) and insert.

Attach the Wooden Leg(H) to the Right Arm(E) using Bolts(①) ,Washers(②) and Spring Washers(③) with the Allen Wrench(④).

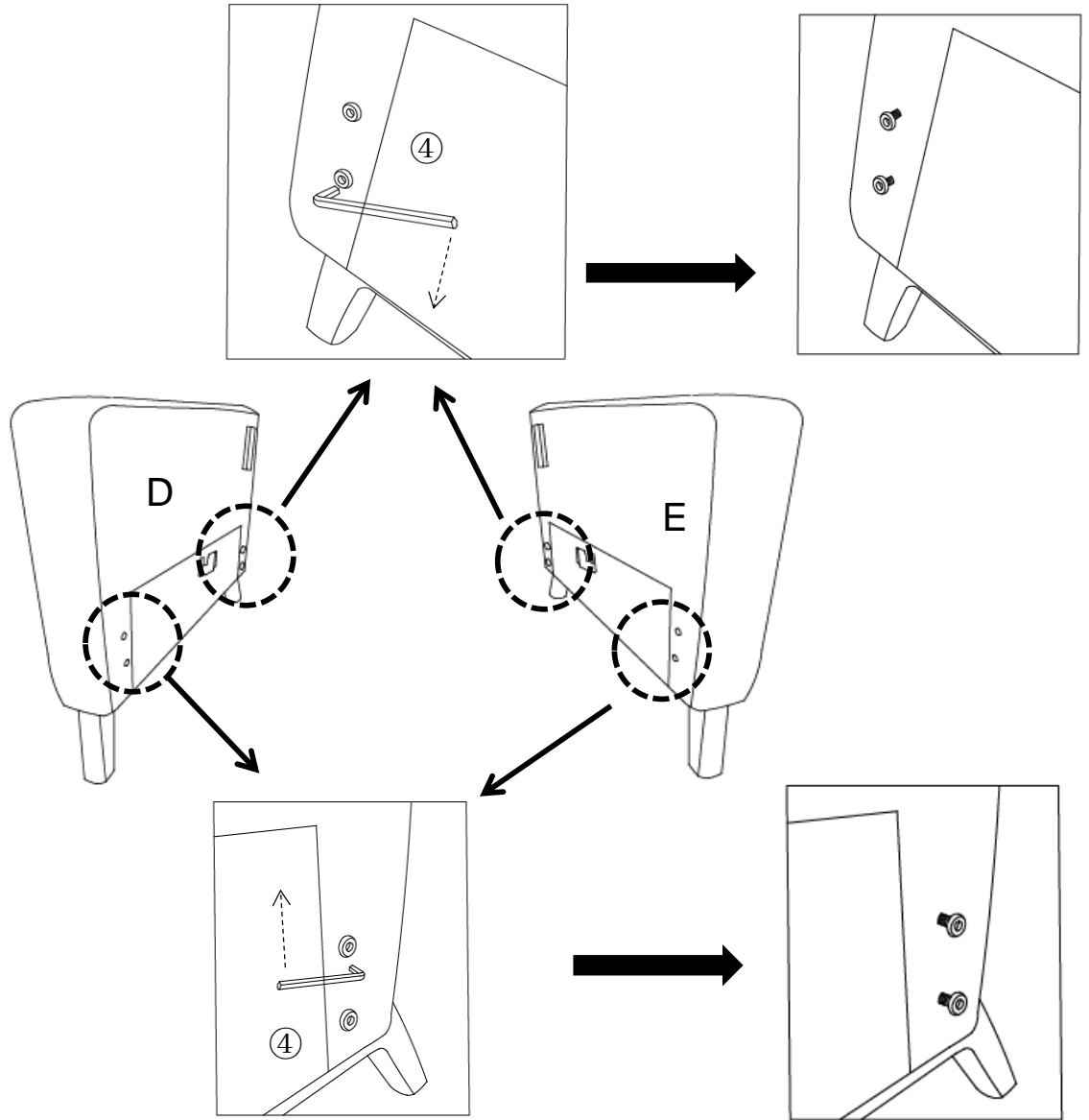
Take notice of the shape of the Legs and ensure they in the correct positions.

Step 4



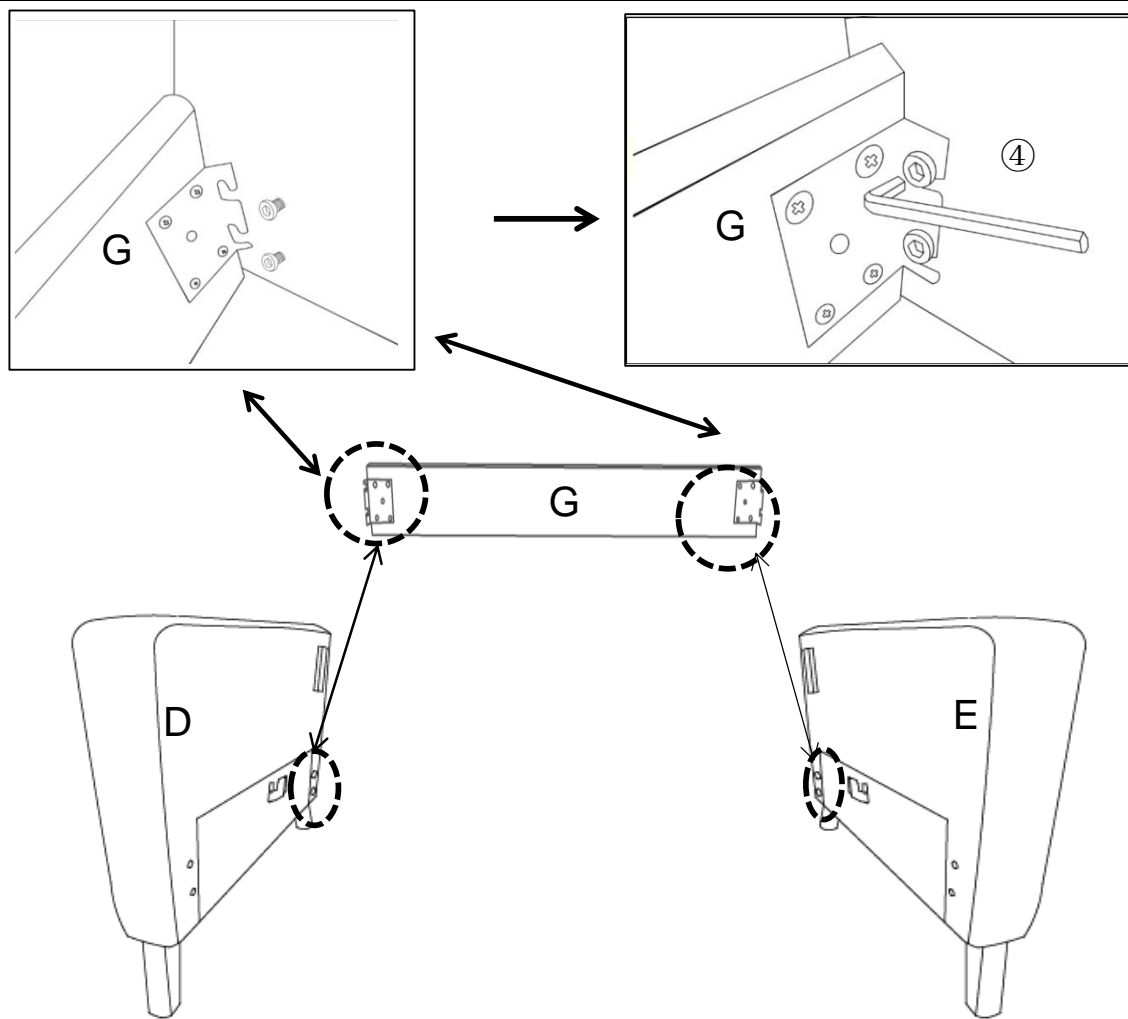
Repeat the same process to attach the Wooden Leg(H) to the Left Arm(D).

Step 5



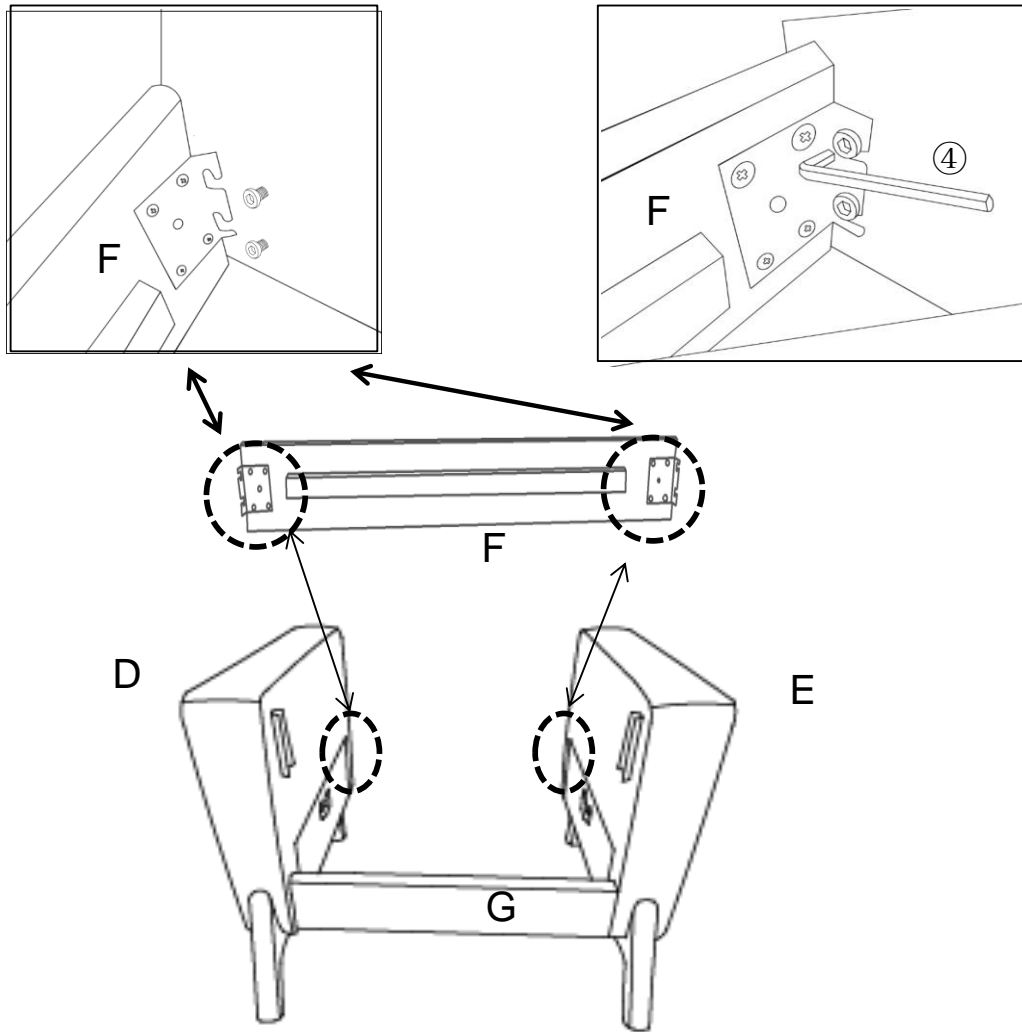
Use an Allen Wrench(④) to loosen the Bolt of the Left Arm(D) and Right Arm(E) by one centimeter.

Step 6



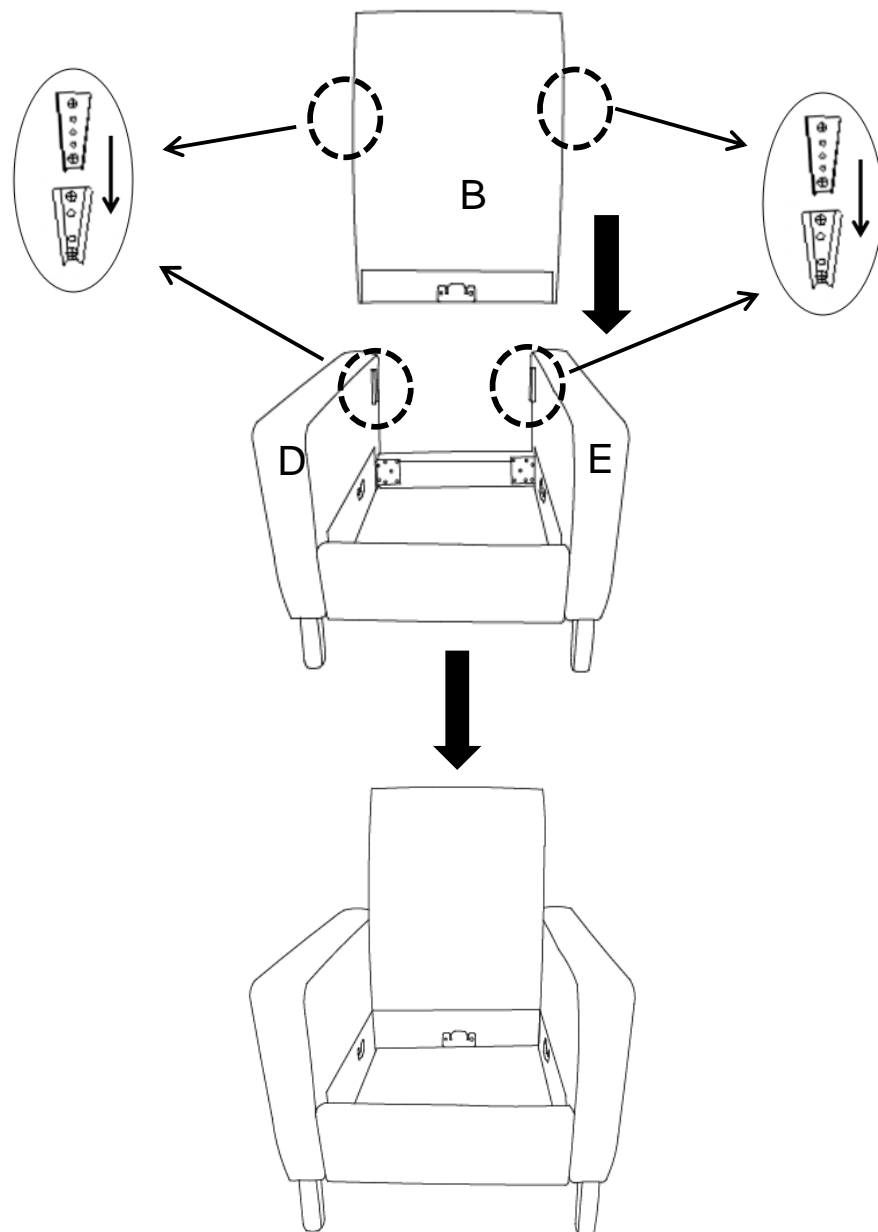
With assistance from your adult partner, stand the Left Arm(D) and Right Arm(E) up, then align the Back Seat Board(G) with both Arms. Assemble the Back Seat Board(G) to Left Arm(D) and Right Arm(E) by inserting the metal hooks on the Back Seat Board(G) onto the mounting brackets on the Left Arm(D) and Right Arm(E) as pictured above.

Step 7



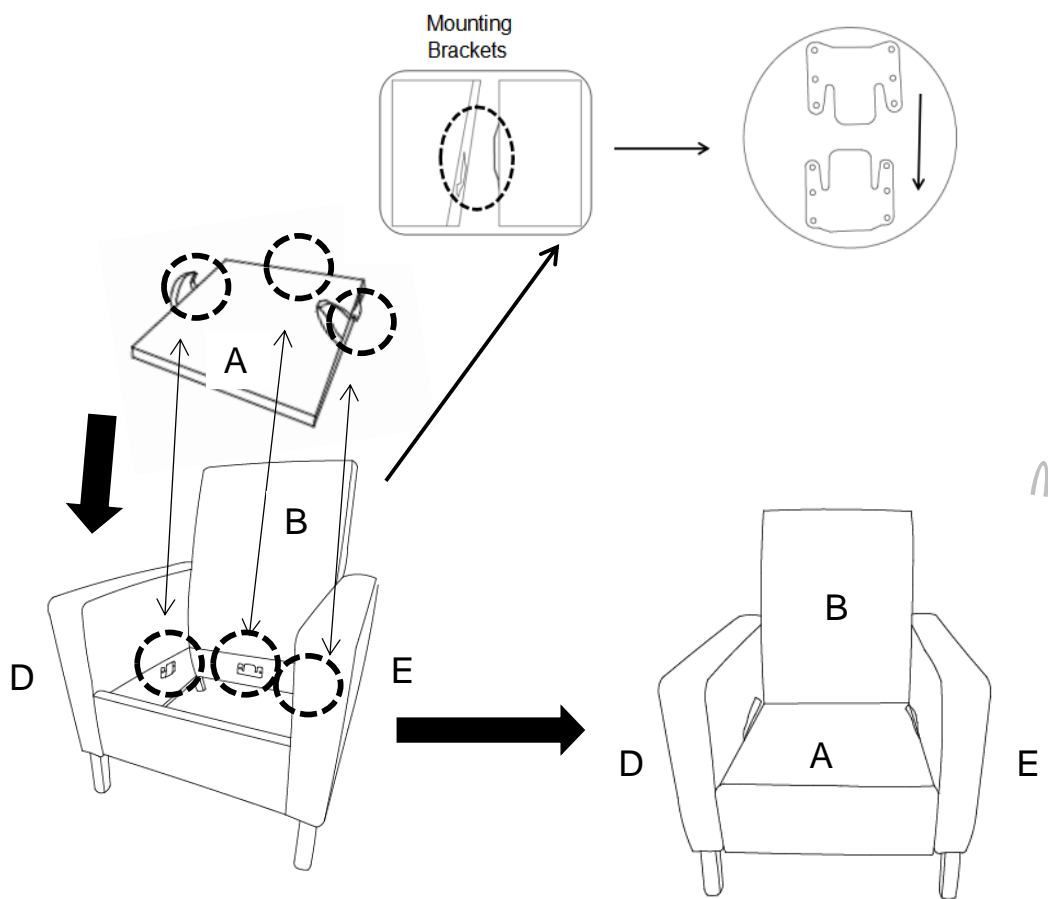
Repeat the same process to assemble the Front Seat Board(F) to the Left Arm(D) and Right Arm(E) by intersecting the mounting brackets.

Step 8



With assistance from your adult partner, hold up the Backrest(B), while standing behind the Recliner.
Align the Mounting Brackets on both sides of the Backrest(B) with those on the Left Arm(D) and Right Arm(E).
Then slide the Backrest(B) downwards to ensure it locks into place as pictured.

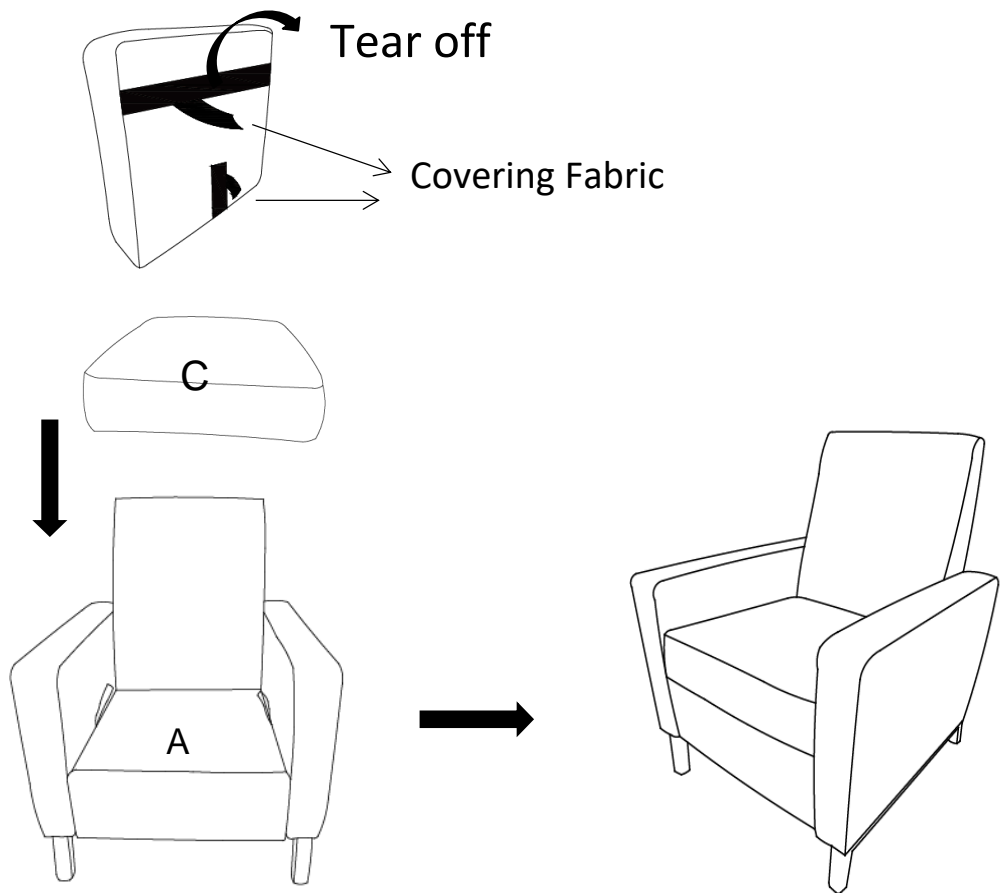
Step 9



With assistance from your adult partner, hold up the Seat Panel(A) and align it to the Recliner.












Intersect the Mounting Brackets on the Seat Panel(A) with those on the Left Arm(D) and Right Arm(E), then push firmly down on the Seat Panel(A) until it locks into position.

Step 9



Tear off the fabric covering on the magic tape of the Seat Cushion(C).
Put the Seat Cushion (C) on the Seat Panel(A).
Your Recliner is ready for use.
This Recliner can only be used on a flat, level surface.

Care & Maintenance

	<ul style="list-style-type: none"> Furniture may scratch floors. We recommend using furniture pads to protect your floors.
	<ul style="list-style-type: none"> Do not put hot items directly on furniture surface.
	<ul style="list-style-type: none"> Do not clean furniture with harsh cleansers or polish.
	<ul style="list-style-type: none"> Do not place furniture under direct sunlight.
	<ul style="list-style-type: none"> Do not place furniture near heating or cooling vents.
	<ul style="list-style-type: none"> Do not write on furniture without a padded barrier to protect the surface.
	<ul style="list-style-type: none"> Do not place furniture outside . For indoor use only.
	<ul style="list-style-type: none"> Not for commercial use. For residential use only.
	<ul style="list-style-type: none"> Stains may be removed with mild soap solution and damp cloth.
	<ul style="list-style-type: none"> Children should not climb or jump on the furniture.
	<ul style="list-style-type: none"> Dust and pick-up spills using a clean, non-colored, lint-free cloth.

Questions & Answers about Proposition 65

• What is Proposition 65?

Proposition 65 requires businesses to provide warnings to Californians about significant exposures to chemicals that cause cancer, birth defects or other reproductive harm. These chemicals can be in the products that Californians purchase, in their homes or workplaces, or that are released into the environment. By requiring that this information be provided, Proposition 65 enables Californians to make informed decisions about their exposures to these chemicals.

Proposition 65 also prohibits California businesses from knowingly discharging significant amounts of listed chemicals into sources of drinking water.

Proposition 65 requires California to publish a list of chemicals known to cause cancer, birth defects or other reproductive harm. This list, which must be updated at least once a year, has grown to include approximately 900 chemicals since it was first published in 1987.

• What types of chemicals are on the Proposition 65 list?

The list contains a wide range of naturally occurring and synthetic chemicals that include additives or ingredients in pesticides, common household products, food, drugs, dyes, or solvents. Listed chemicals may also be used in manufacturing and construction, or they may be byproducts of chemical processes, such as motor vehicle exhaust.

• What does a warning mean?

If a warning is placed on a product label or posted or distributed at a workplace, a business, or in rental housing, the business issuing the warning is aware or believes that it is exposing individuals to one or more listed chemicals.

By law, a warning must be given for listed chemicals unless the exposure is low enough to pose no significant risk of cancer or is significantly below levels observed to cause birth defects or other reproductive harm.

• Where can I get more information on Proposition 65?

If you have specific questions on the administration or implementation of Proposition 65, you can contact OEHHA's Proposition 65 program at P65.Questions@oehha.ca.gov, or by phone at (916) 445-6900.