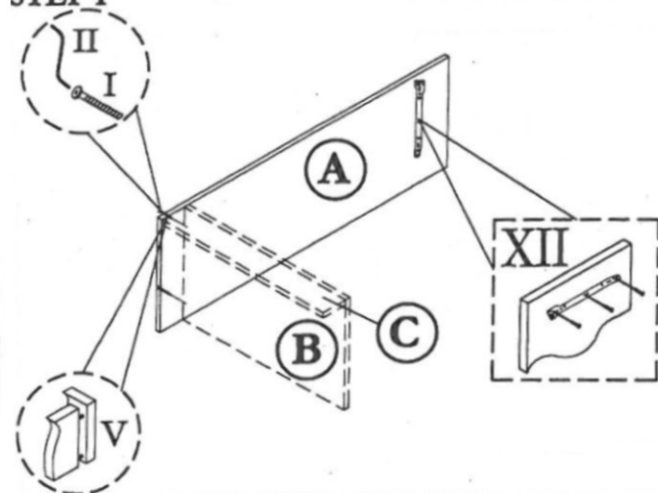


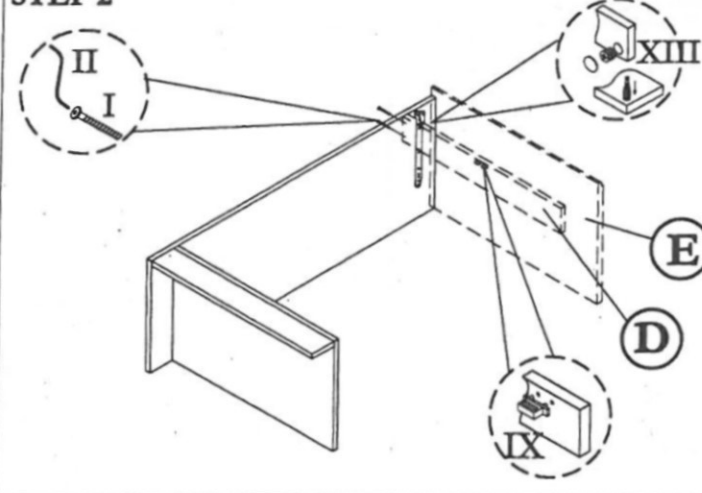
# ASSEMBLY INSTRUCTION

Before you begin, please follow assembly instruction carefully.  
Then follow them step by step.

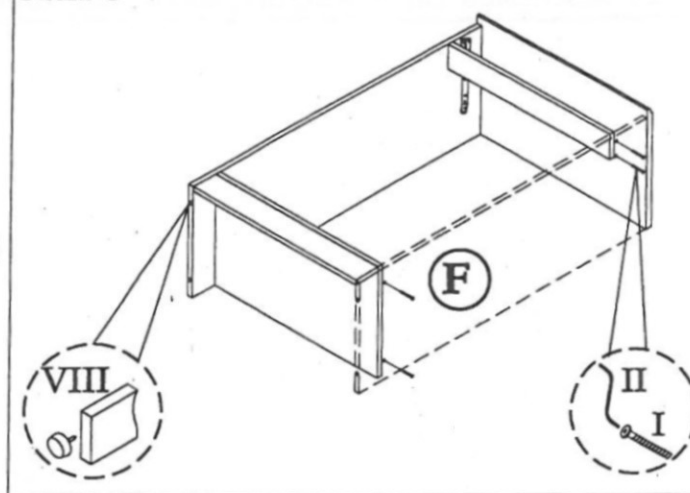
STEP 1



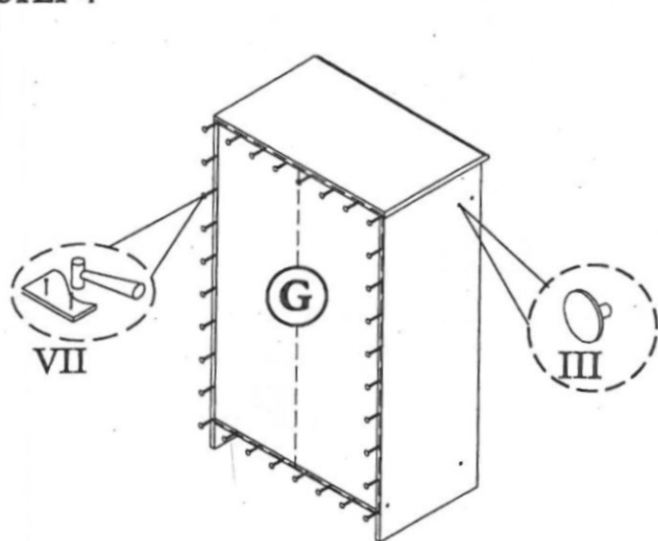
STEP 2



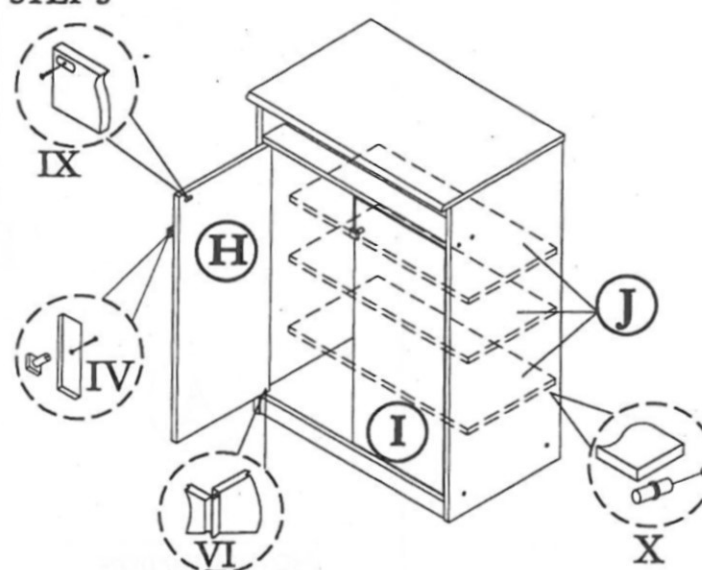
STEP 3



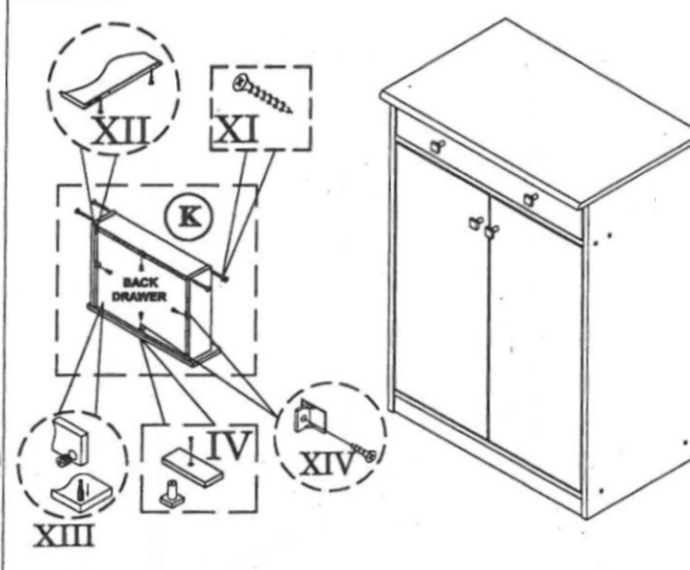
STEP 4



STEP 5



STEP 6



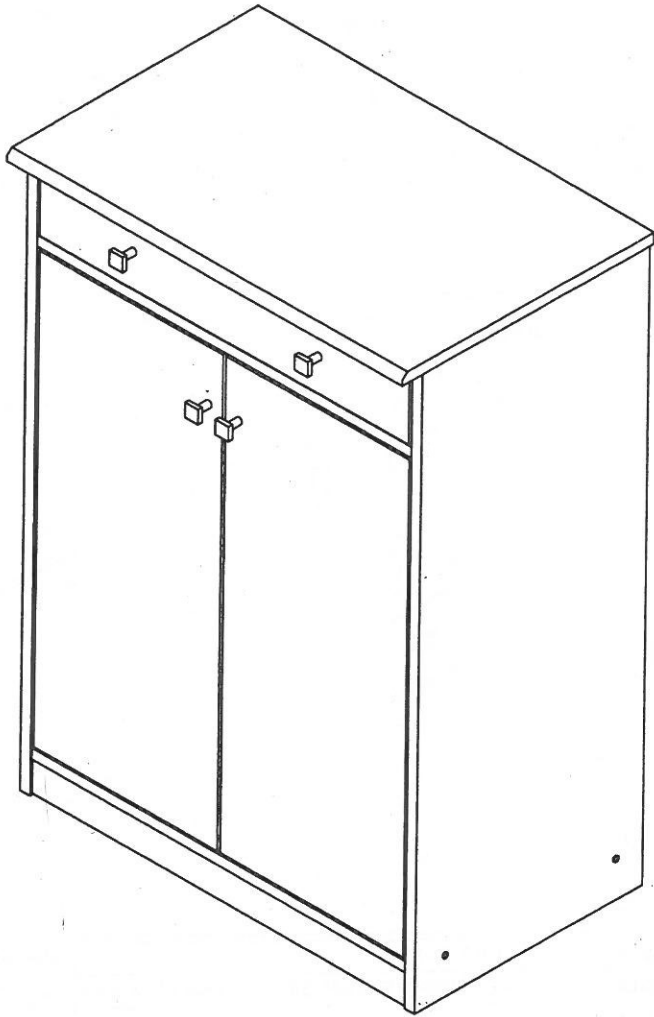
HARDWARE LIST			
NO	DESCRIPTION		QTY
I	JCBCW SCREW M6 x 45		8pcs
II	M4 ALLEN KEY		1pc
III	CAP SMALL		8pcs
IV	HANDLE & SCREW M3.5 x 30		4sets
V	M8 x 30 PLASTIC DOWEL		6pcs

VI	SPRING DOOR SUPPORT		4pcs
VII	NAIL		40pcs
VIII	PVC NAIL WITH PIN		4pcs
IX	MAGNET WITH PLATE & SCREW		2sets
X	PVC SHELF SUPPORT		12pcs
XI	M8 x 32 CHIPBOARD SCREW		4pcs
XII	DRAWER SLIDER & SCREW M3.5 x 12		1sets

XIII	Q-FIT		6sets
XIV	DRAWER SUPPORT & SCREW M3.5 x 12		4sets

**CAUTION:**

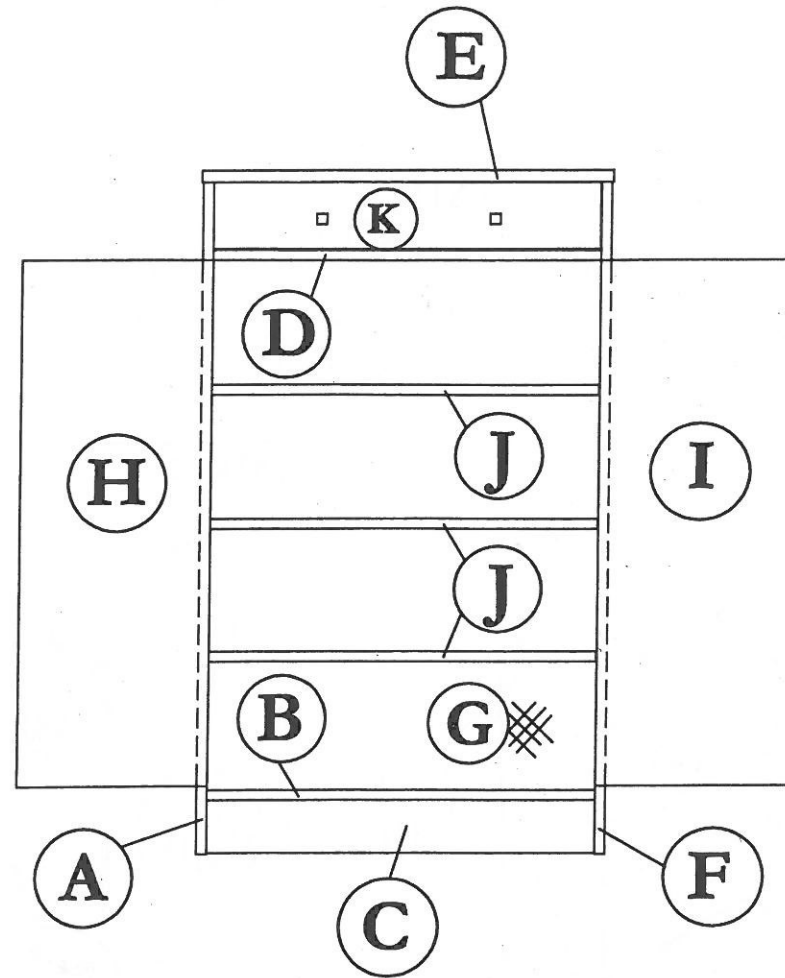
To clean use soft, dry cloth. Do not use detergent or chemicals  
Avoid contact with water and direct sunlight.  
To be assembled on a soft, dry, clean and smooth surface.



# COMPLETE SET

**ORDERING REPAIR PARTS**

In order to obtain smooth and rapid service when ordering repair parts, please give full attention to the following of PART NUMBER.



NO	DESCRIPTION	QTY
A	LEFT SIDE	01
B	LOWER SHELF	01
C	LEG	01
D	HORIZONTAL SHELF	01
E	TOP	01
F	RIGHT SIDE	01

NO	DESCRIPTION	QTY
G	BACK	02
H	LEFT SIDE DOOR	01
I	RIGHT SIDE DOOR	01
J	MOVABLE SHELF	03
K	DRAWER FACE	01