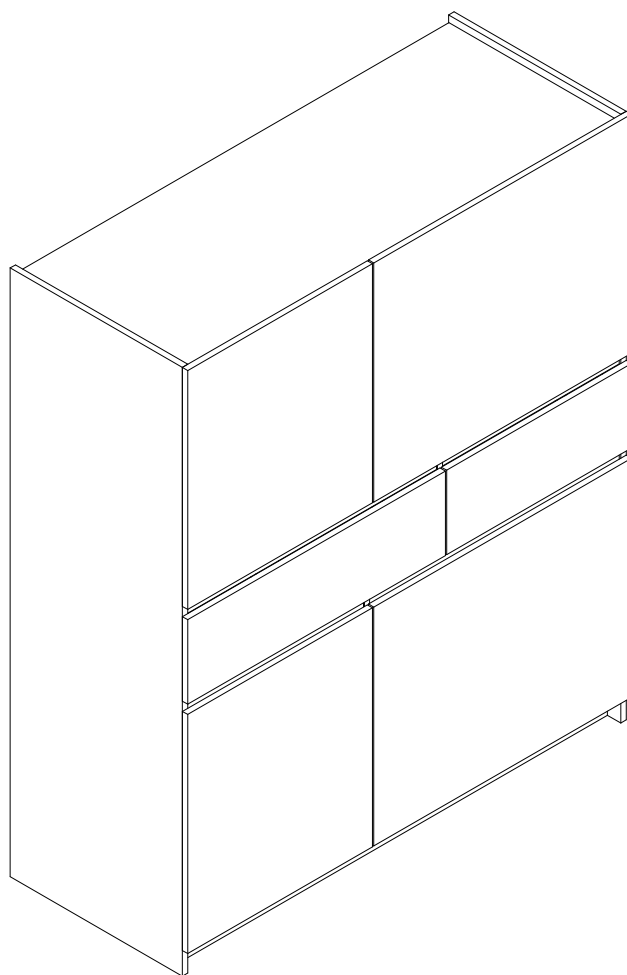

Assembly Instructions



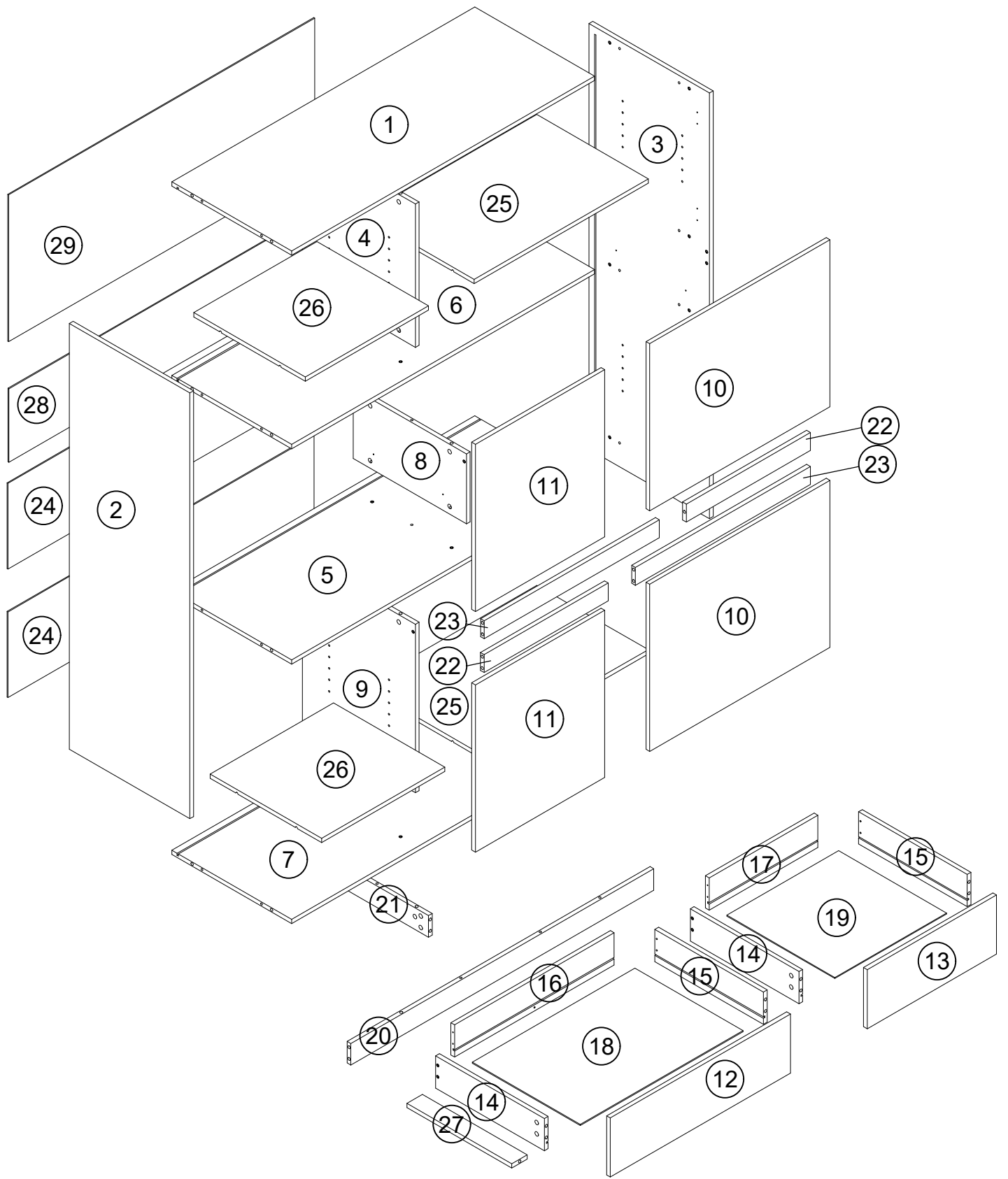
EN

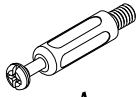
Thank you for purchase on our products, please contact us if you have difficulty with assembly or need replacement parts. customer service will assist you.

WARNING

Serious or fatal injury may occur from unexpected assembly or use.

1. During the assembly process, keep all parts away from babies or children.
2. Always securely fix this product to the wall. Make sure the wall area to be drilled is free from hidden electrical wires^ water and gas pipes.
3. Use of tip-over restraints may only reduce^ but not eliminate the risk of tip-over.
4. Unless specially designed to accommodatej do not set heavy objects on top of this product.
5. Place the heaviest items on the lowest shelf.
6. Never allow children to climb or bang on drawers, doors or shelves.



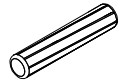


A1



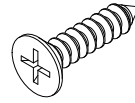
A2

Ax56pcs



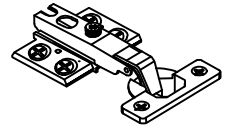
Ø6X30mm

Bx25pcs



M3.5X12mm

Cx82pcs

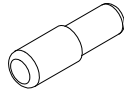


Dx8pcs



M3.5X35mm

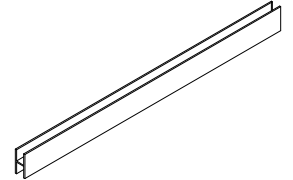
Ex9pcs



Gx16pcs



Hx18pcs



Kx1pcs



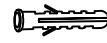
J1



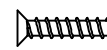
J2



J3



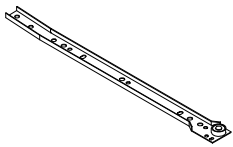
J5



J4

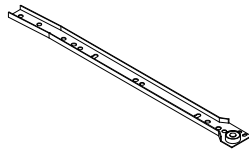
Jx2pcs

CLX2



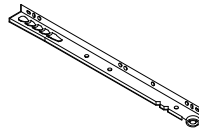
L300mm

CRX2



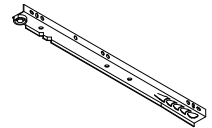
L300mm

DLX2



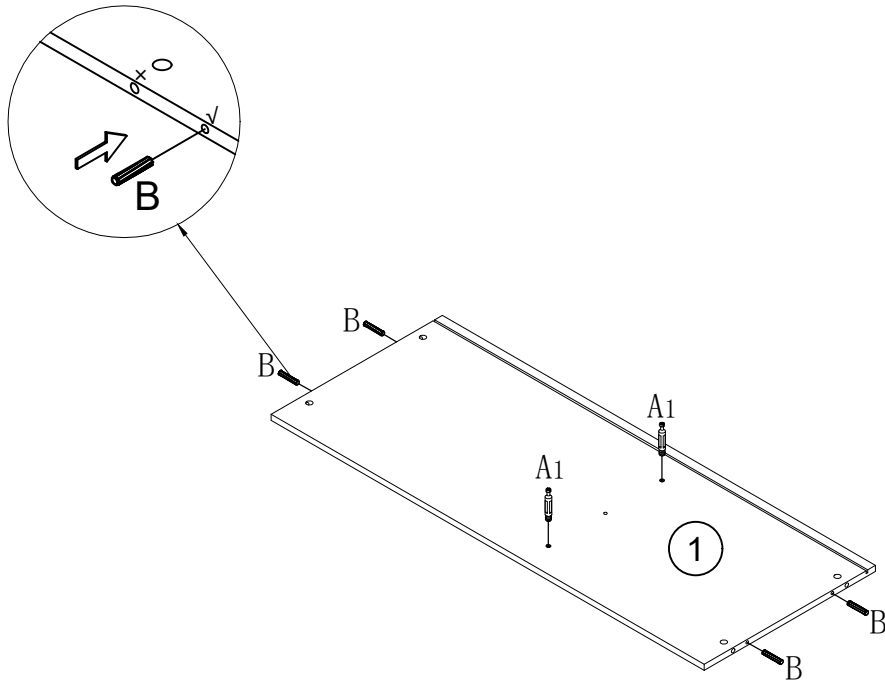
L300mm



DRX2



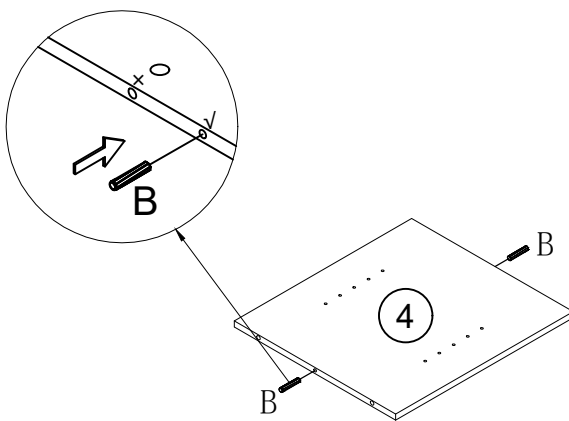
L300mm


STEP 1



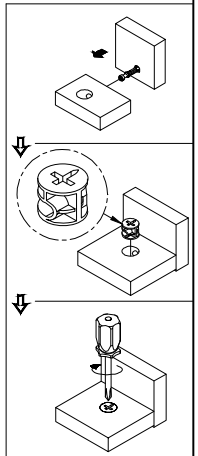
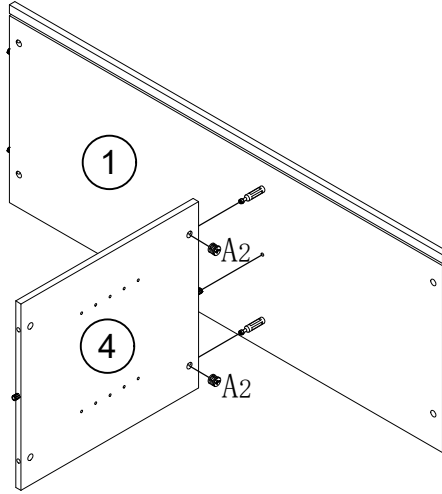
	A1x2pcs
	Bx4pcs

STEP 2



	Bx2pcs
--	--------

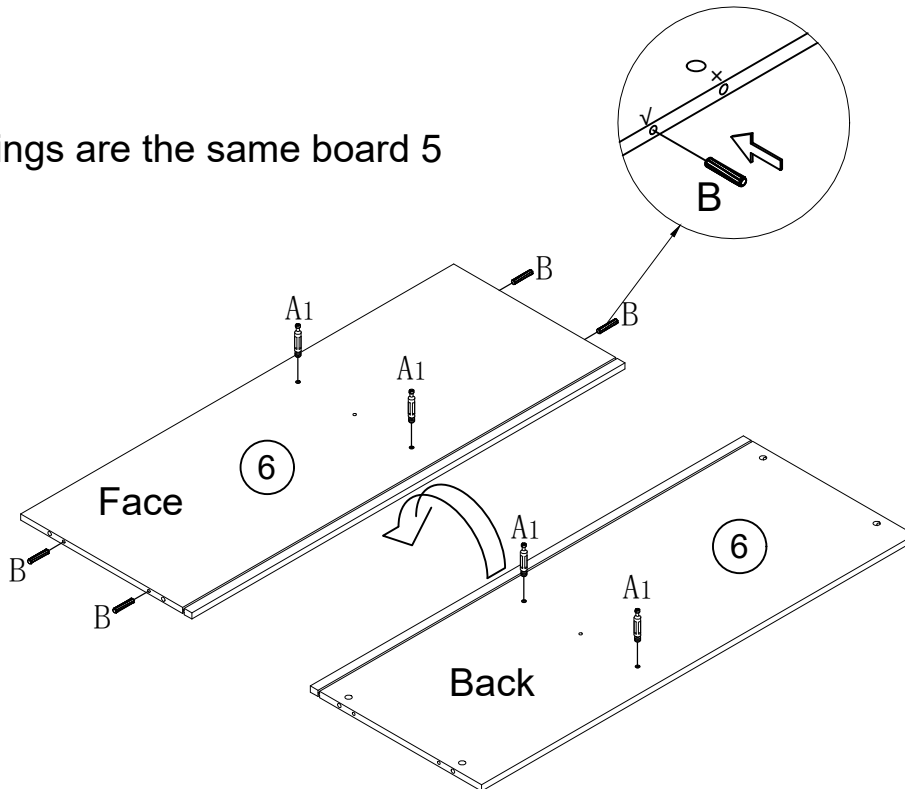
STEP 3



A₂x2pcs

STEP 4

Both drawings are the same board 5

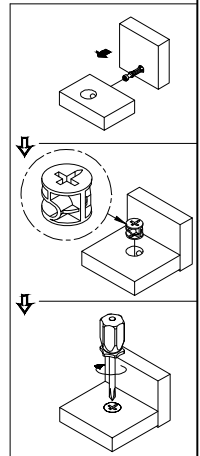
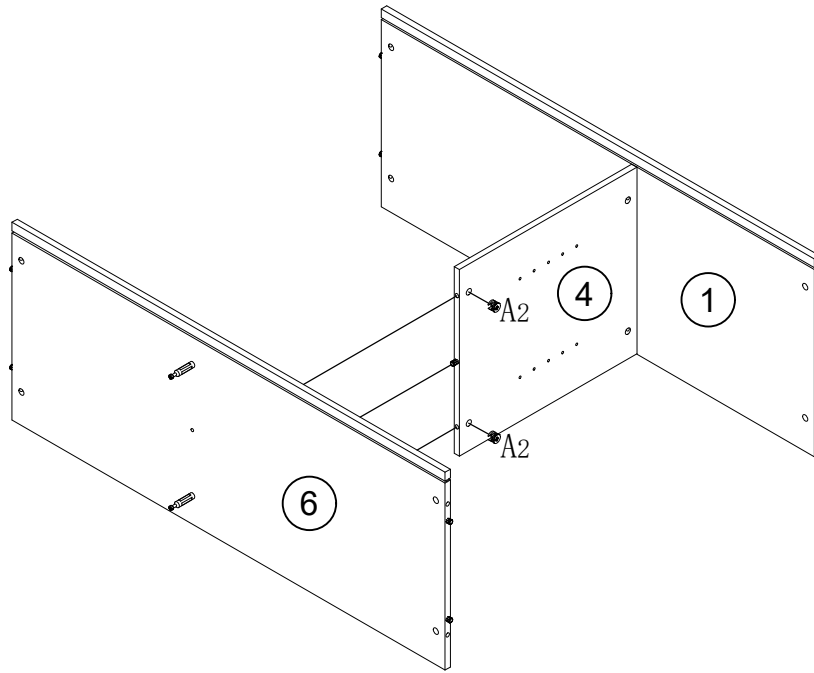


A₁x4pcs



Bx4pcs

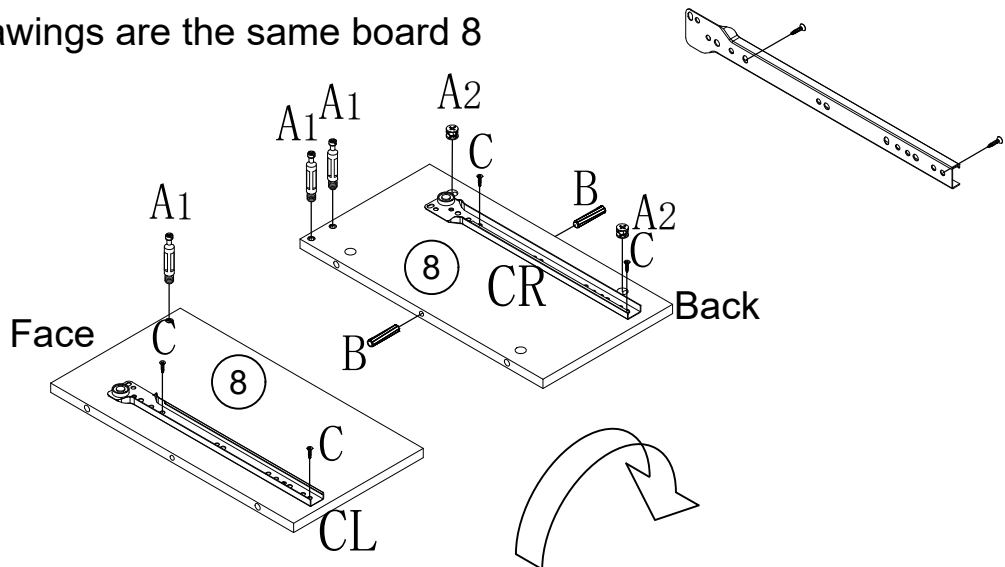
STEP 5



A₂x2pcs

STEP 6

Both drawings are the same board 8



A₁x3pcs



A₂x2pcs



Bx2pcs



Cx4pcs



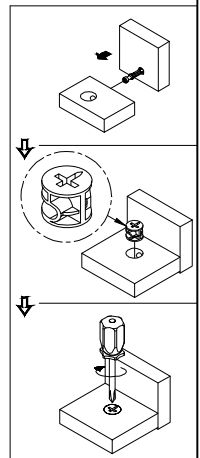
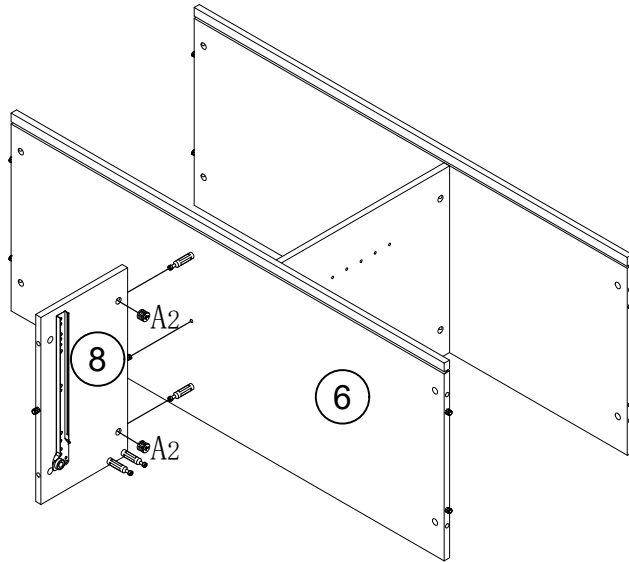
CLx1pcs



CRx1pcs

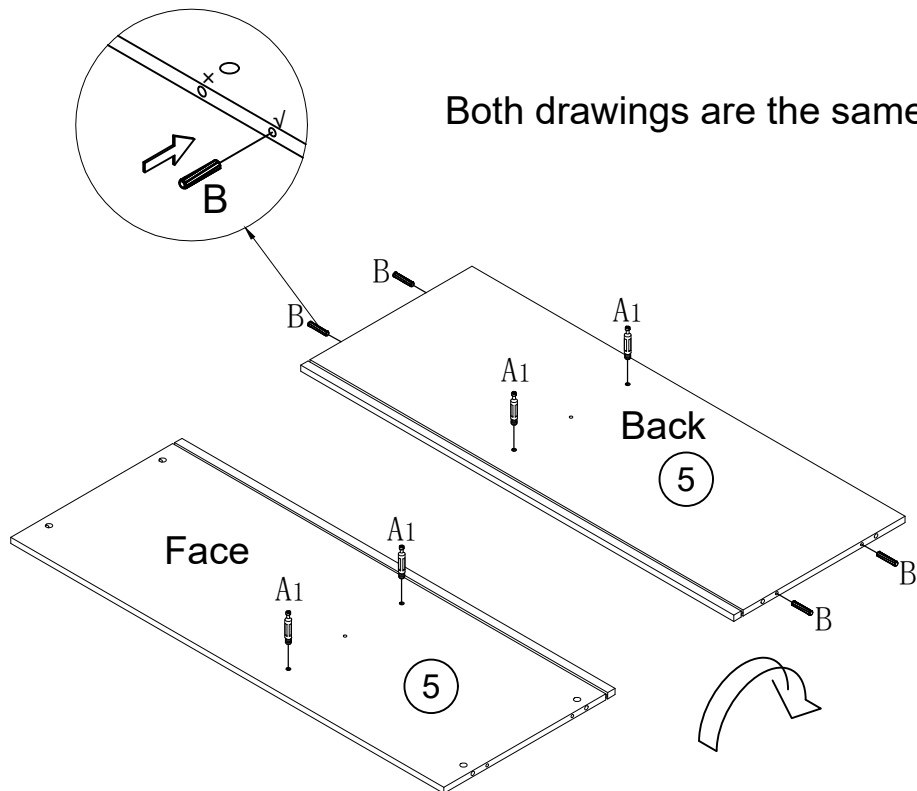
Put hardware A₂ into the hole first

STEP 7



A₂x2pcs

STEP 8

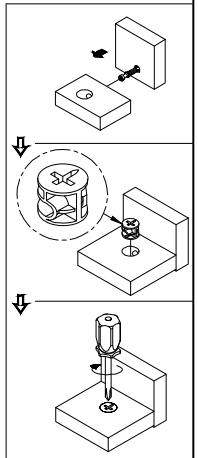
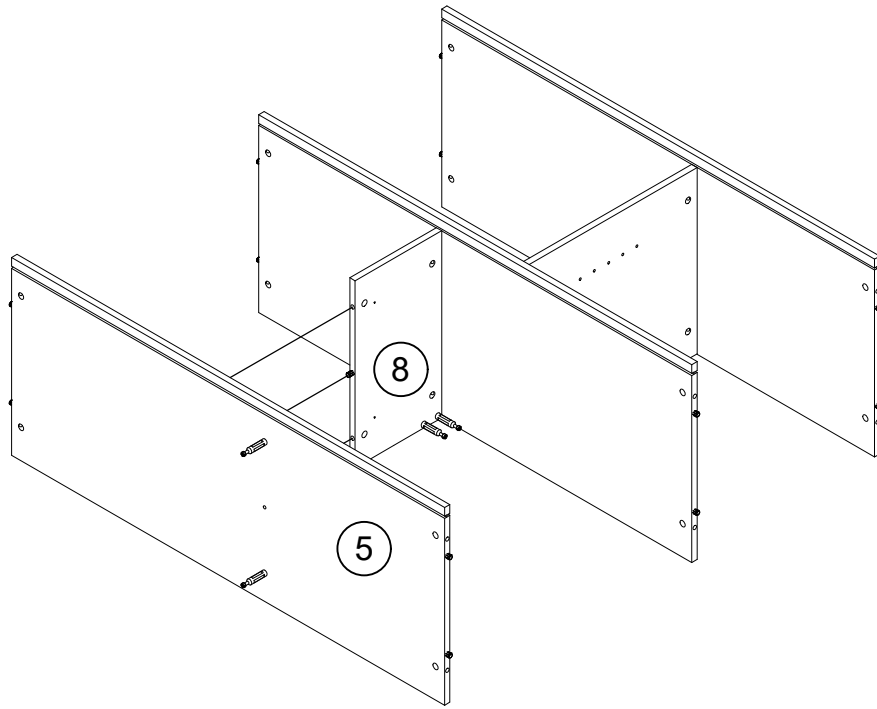


A₁x4pcs



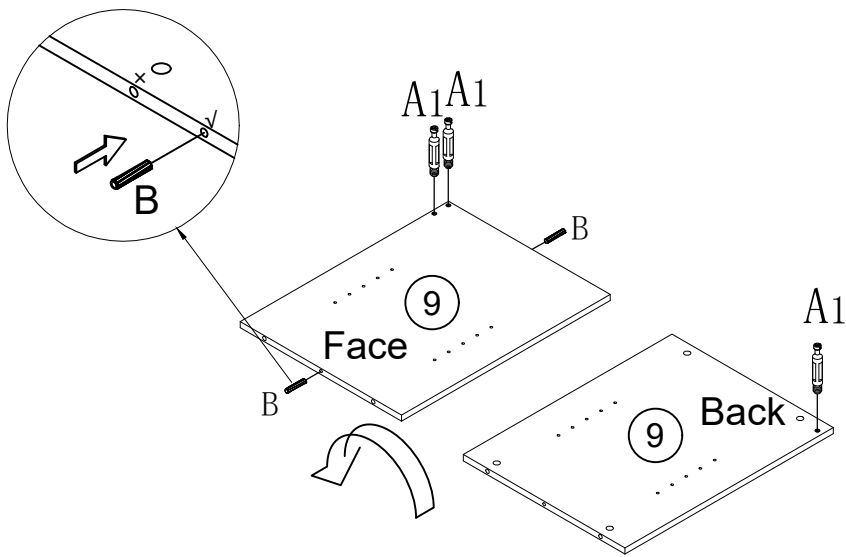
Bx4pcs



STEP 9



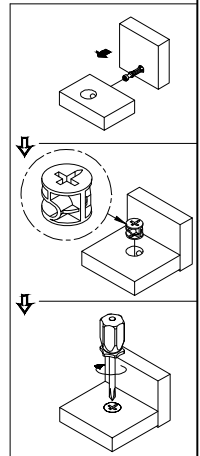
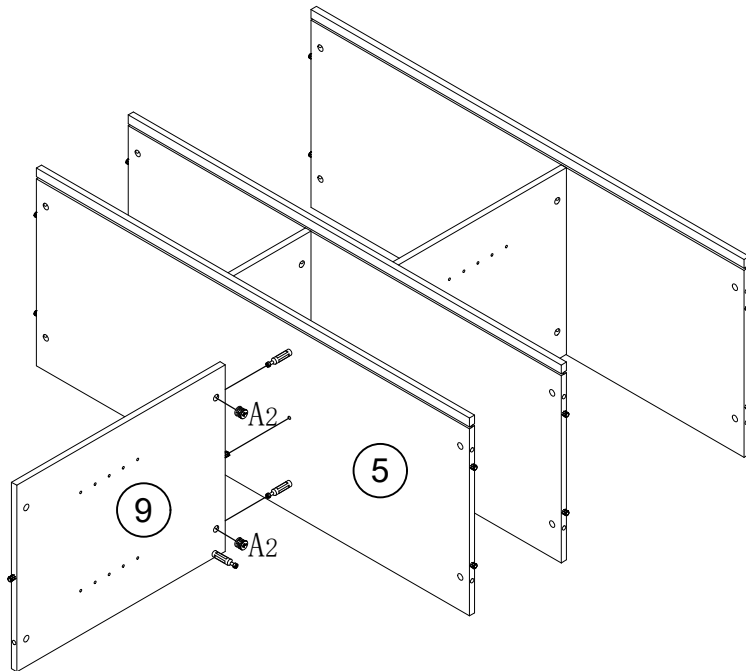
STEP 10

Both drawings are the same board 9



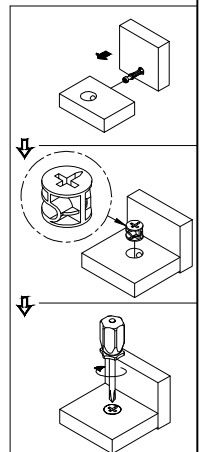
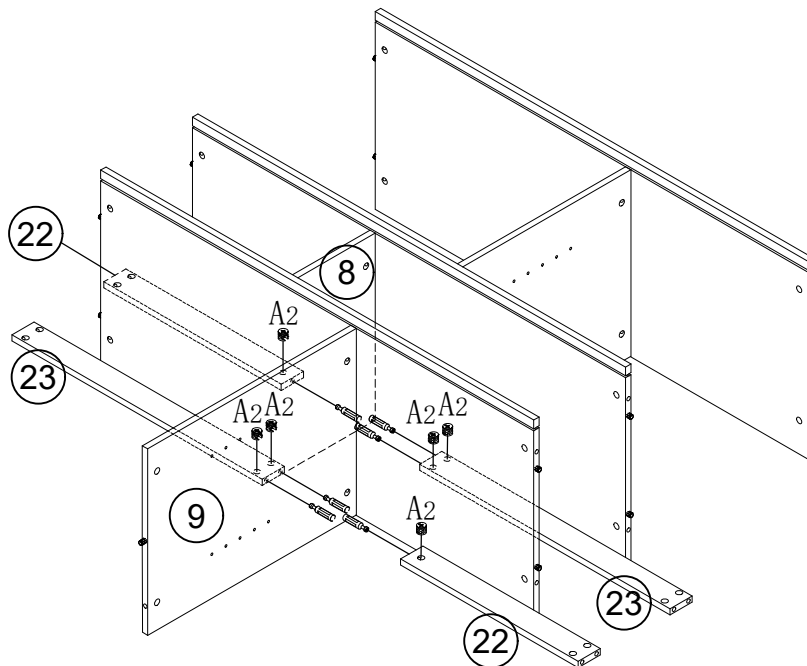
	A1x3pcs
	Bx2pcs

STEP 11



A₂x2pcs

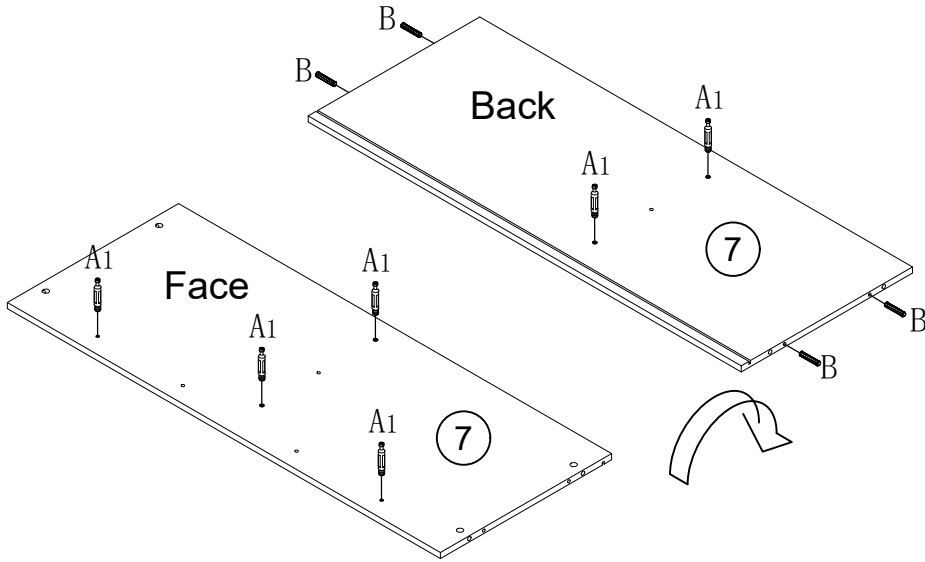
STEP 12





A₂x6pcs

STEP 13




Both drawings are the same board 7

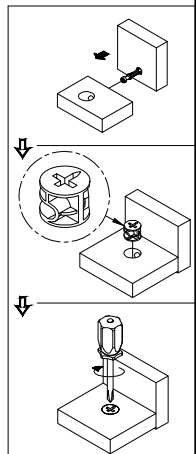


	A ₁ x6pcs
	Bx4pcs

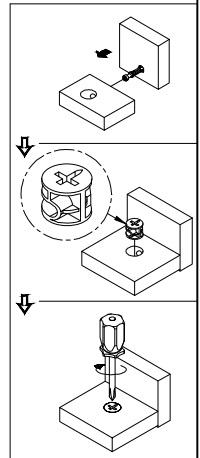
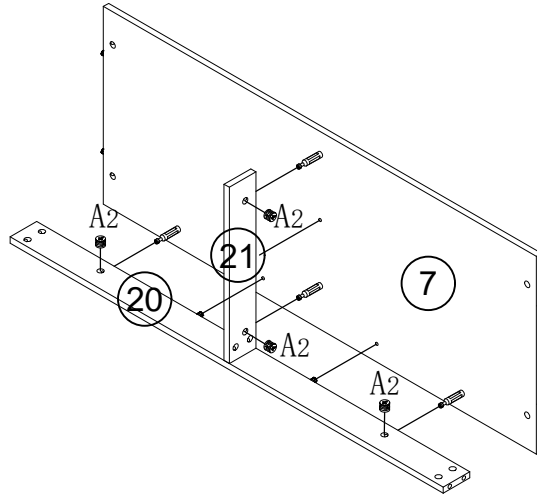
STEP 14



	A ₁ x2pcs
	A ₂ x2pcs
	Bx3pcs

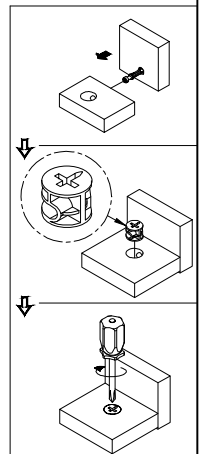
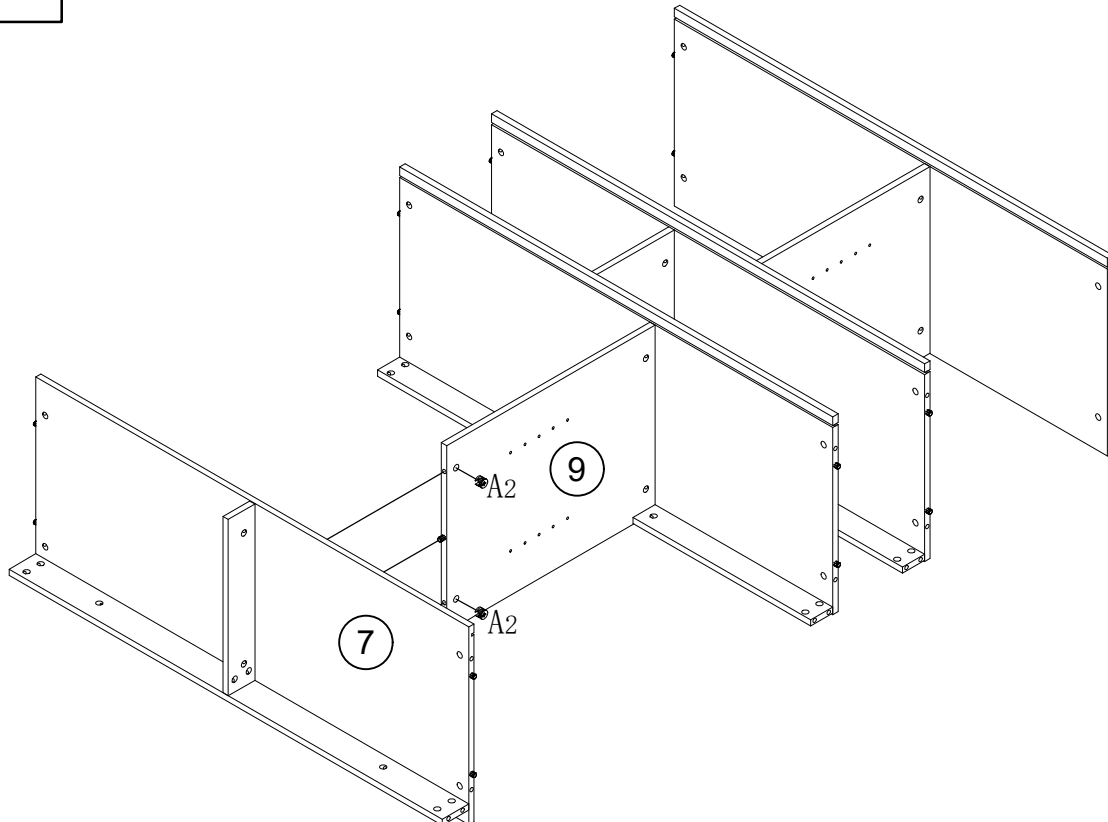


STEP 15



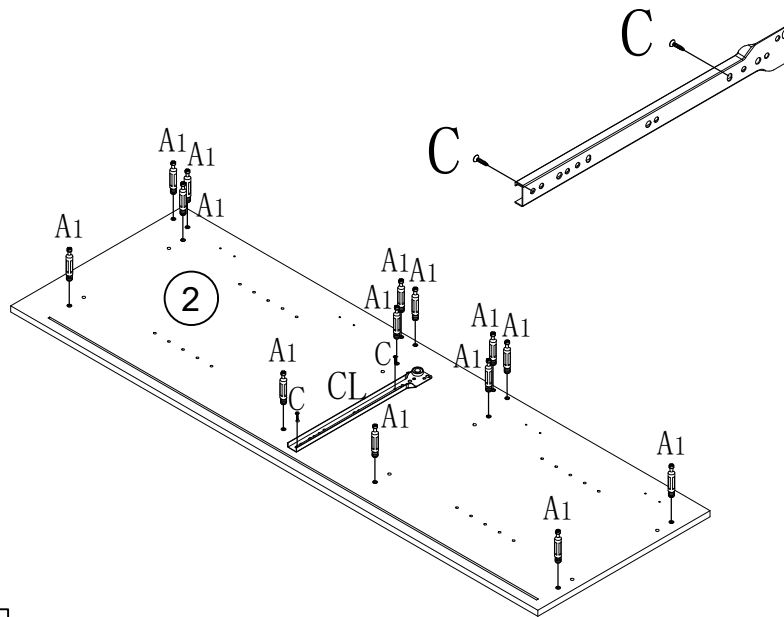
A₂x4pcs




STEP 16



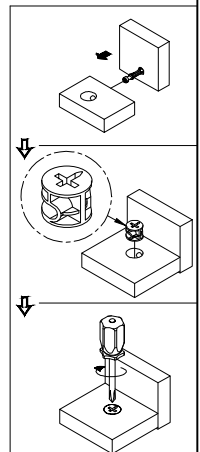
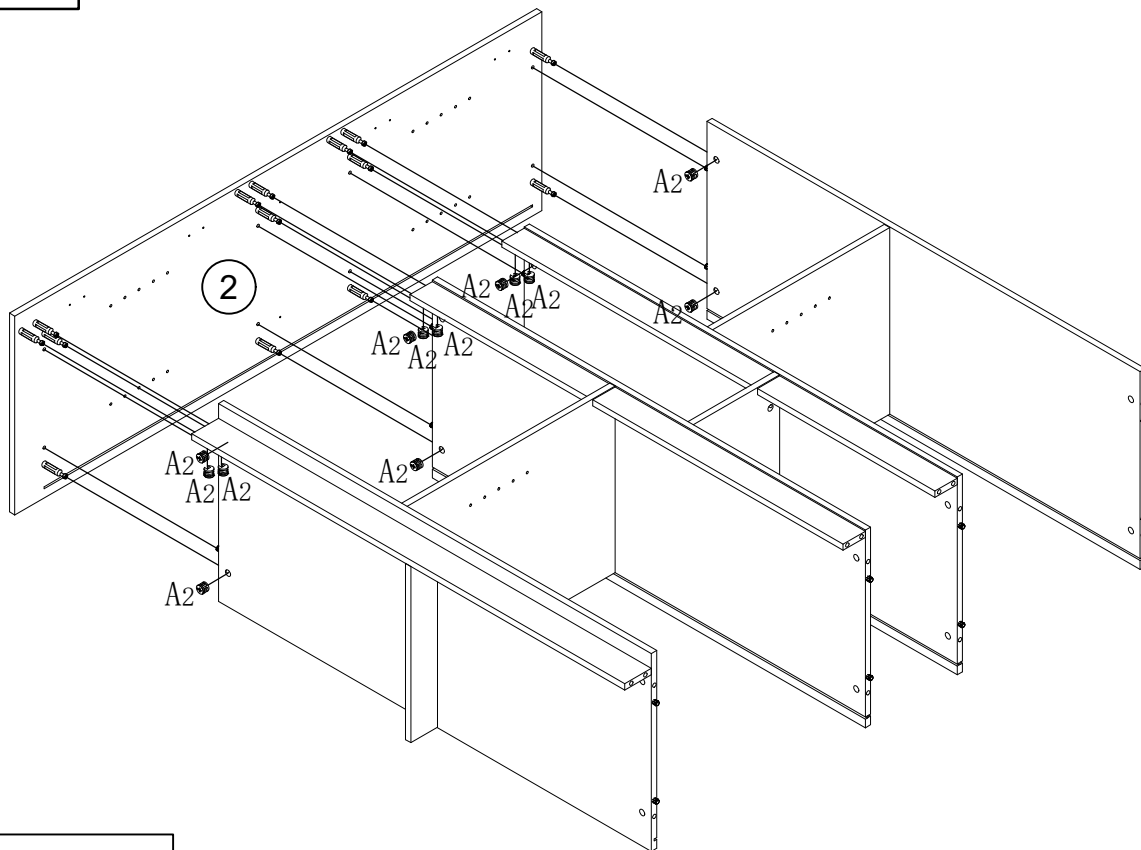
A₂x2pcs


STEP 17



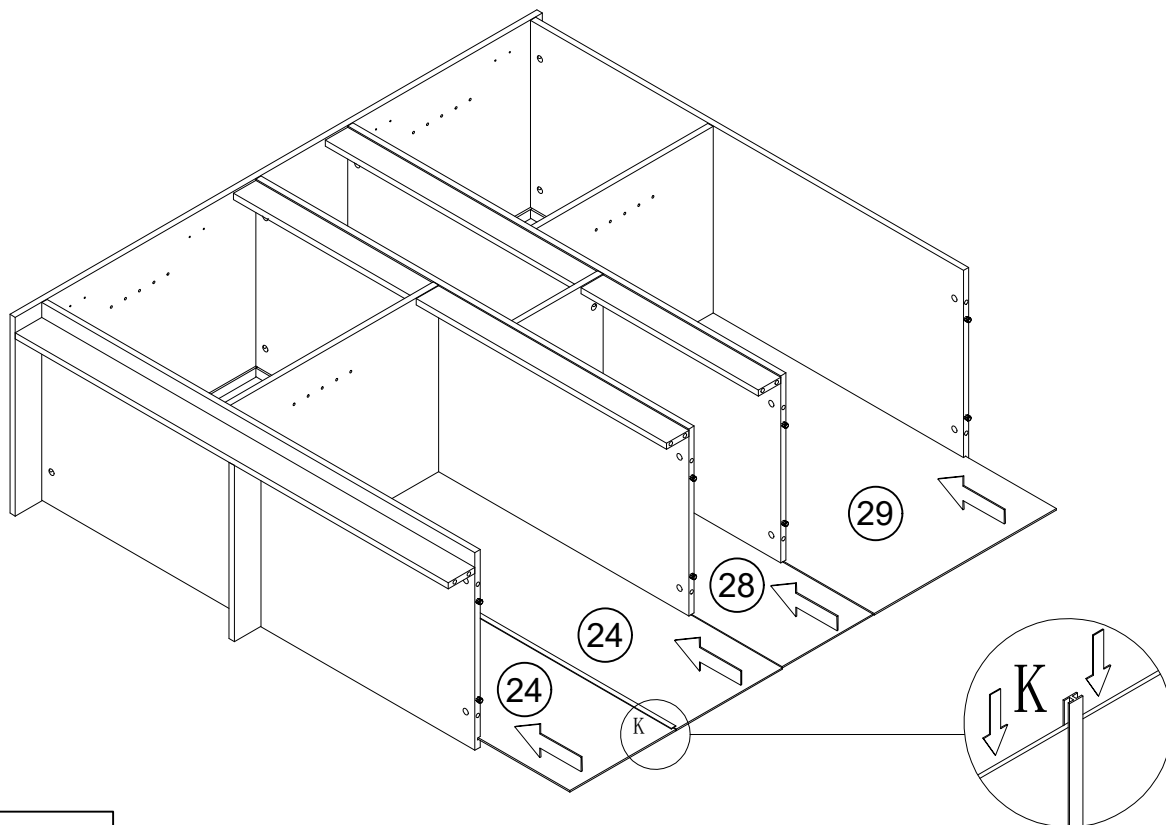
	A ₁ x14pcs
	Cx2pcs
	CRx1pcs


STEP 18



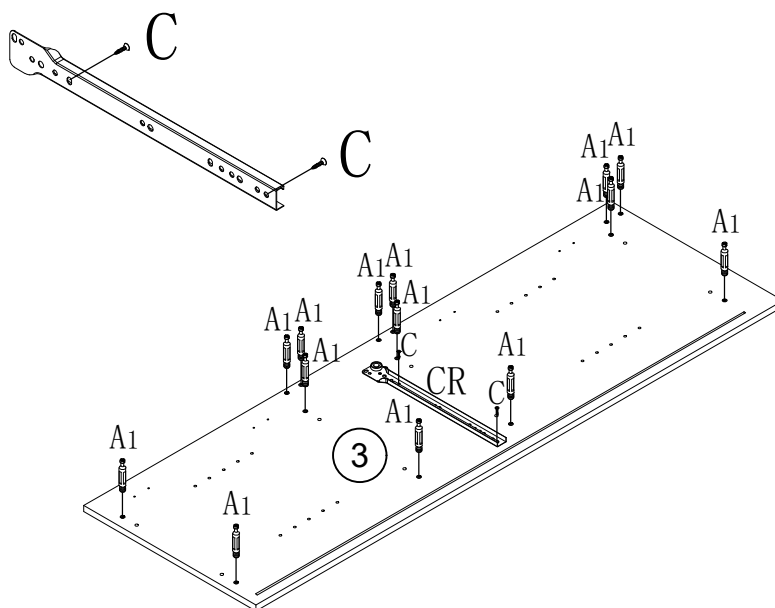
	A ₂ x14pcs
--	-----------------------

STEP 19




 Kx1pcs

STEP 20

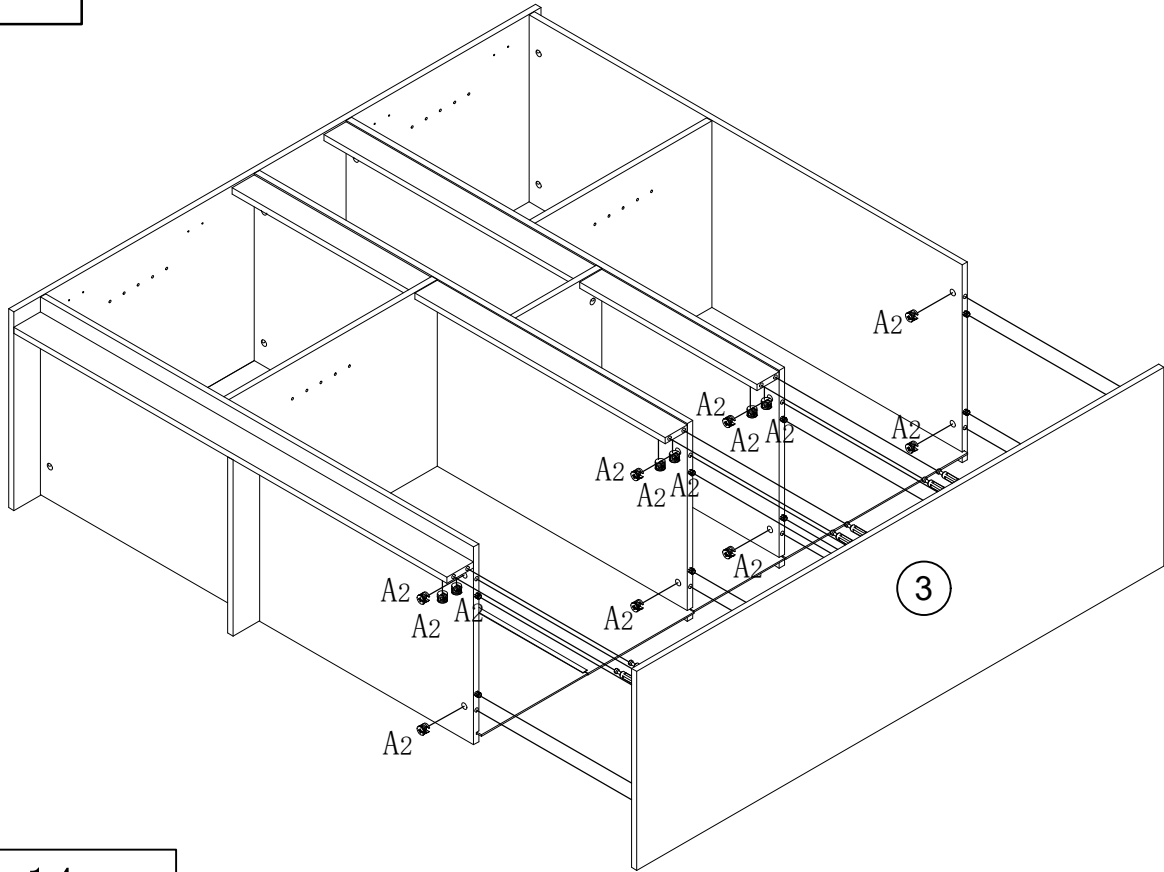


 A₁x14pcs

 Cx2pcs

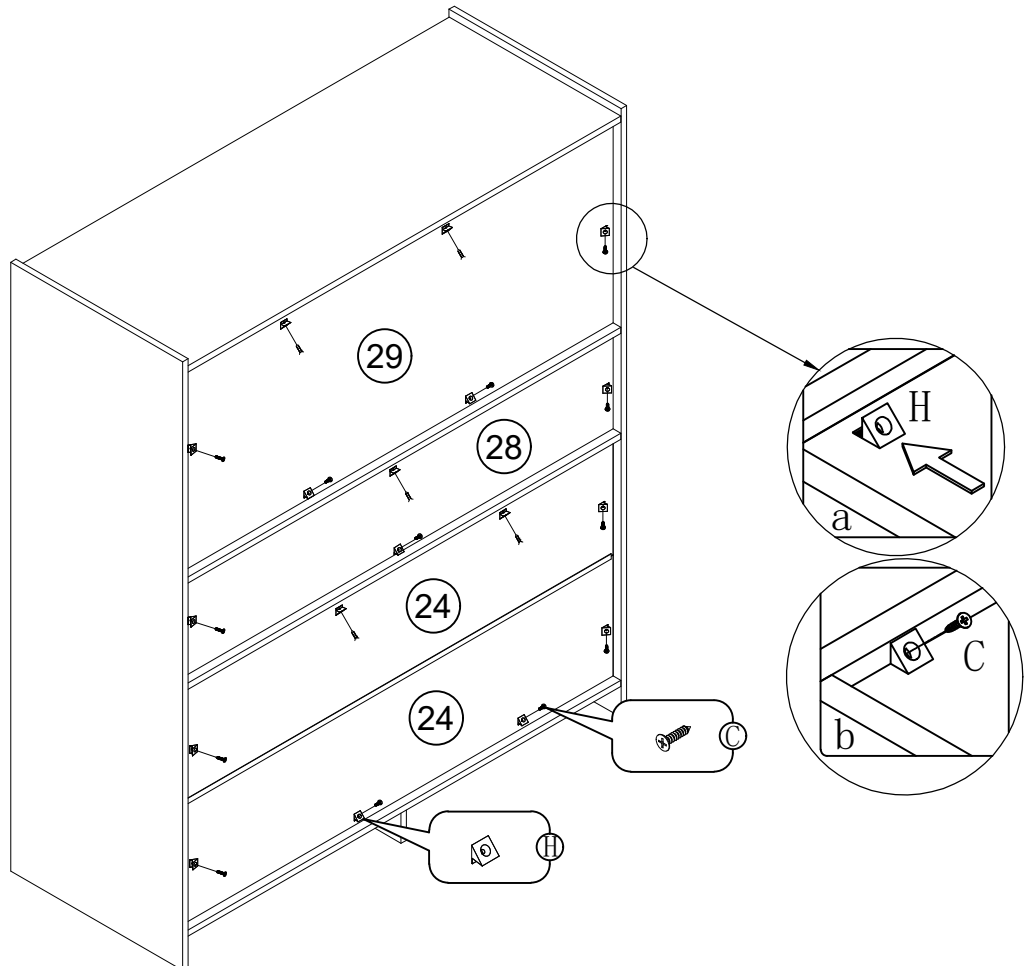
 CLx1pcs

STEP 21



A₂x14pcs

STEP 22

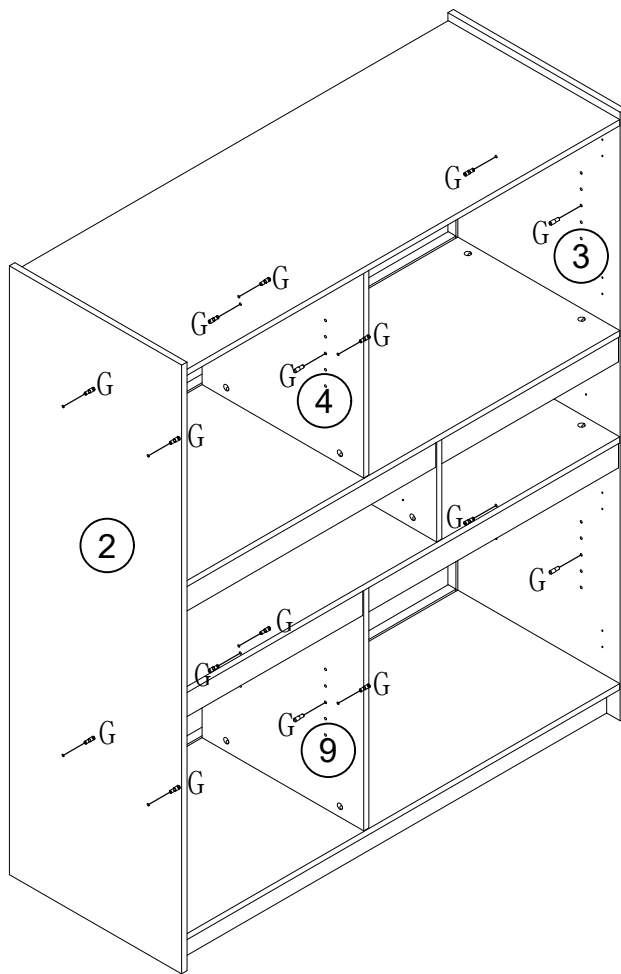


Cx18pcs



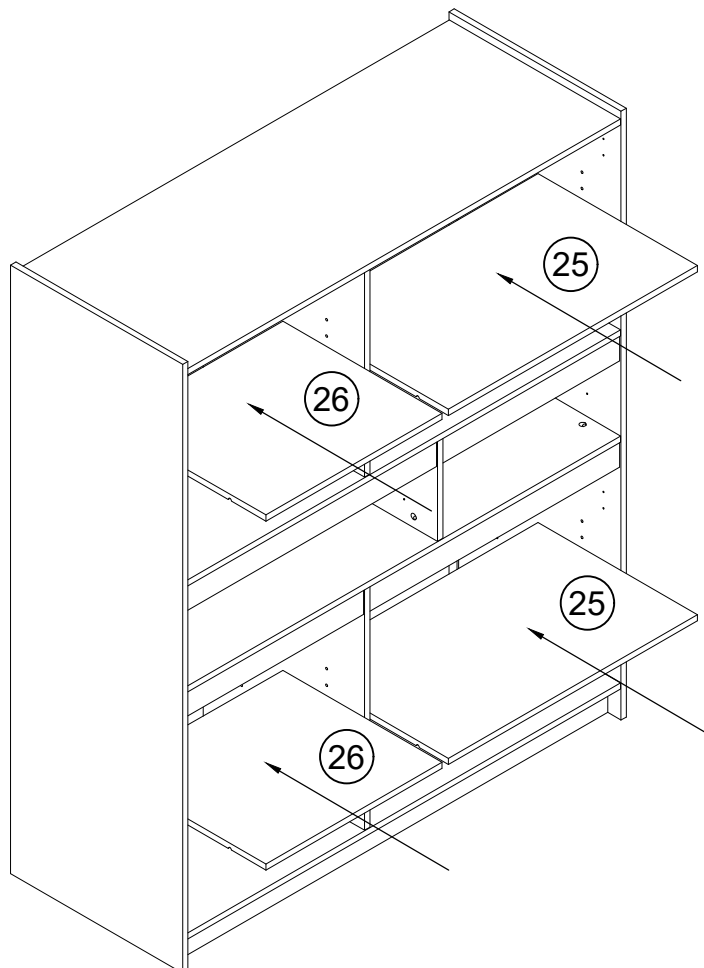
Hx18pcs

STEP 23



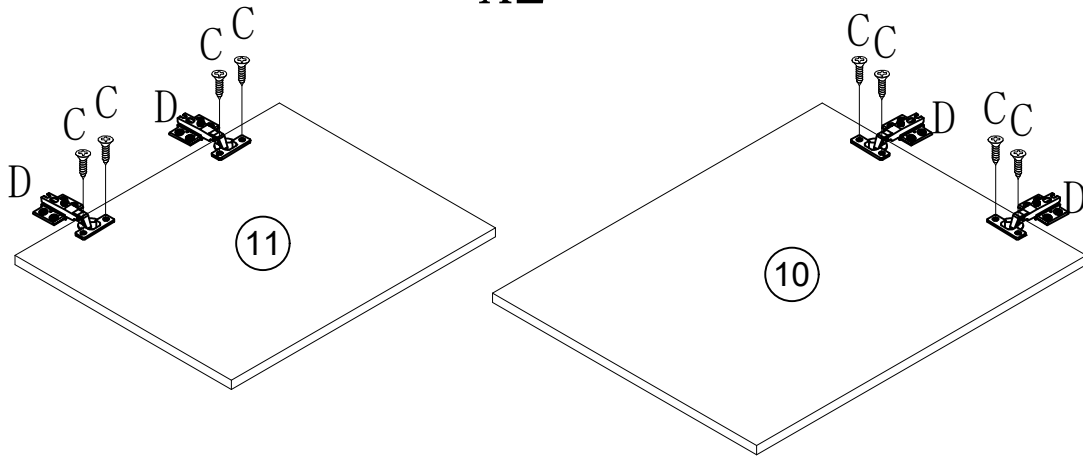
Gx16pcs



STEP 24



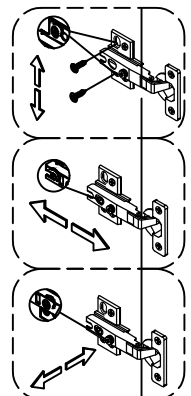
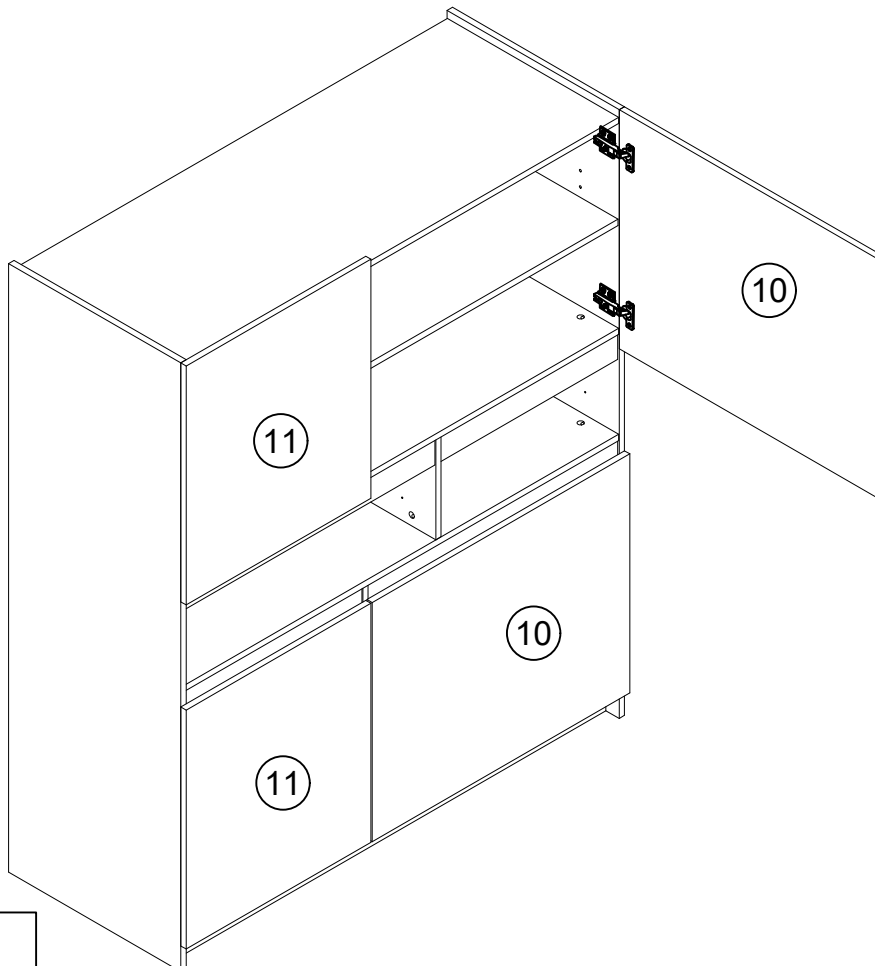
STEP 25


X2



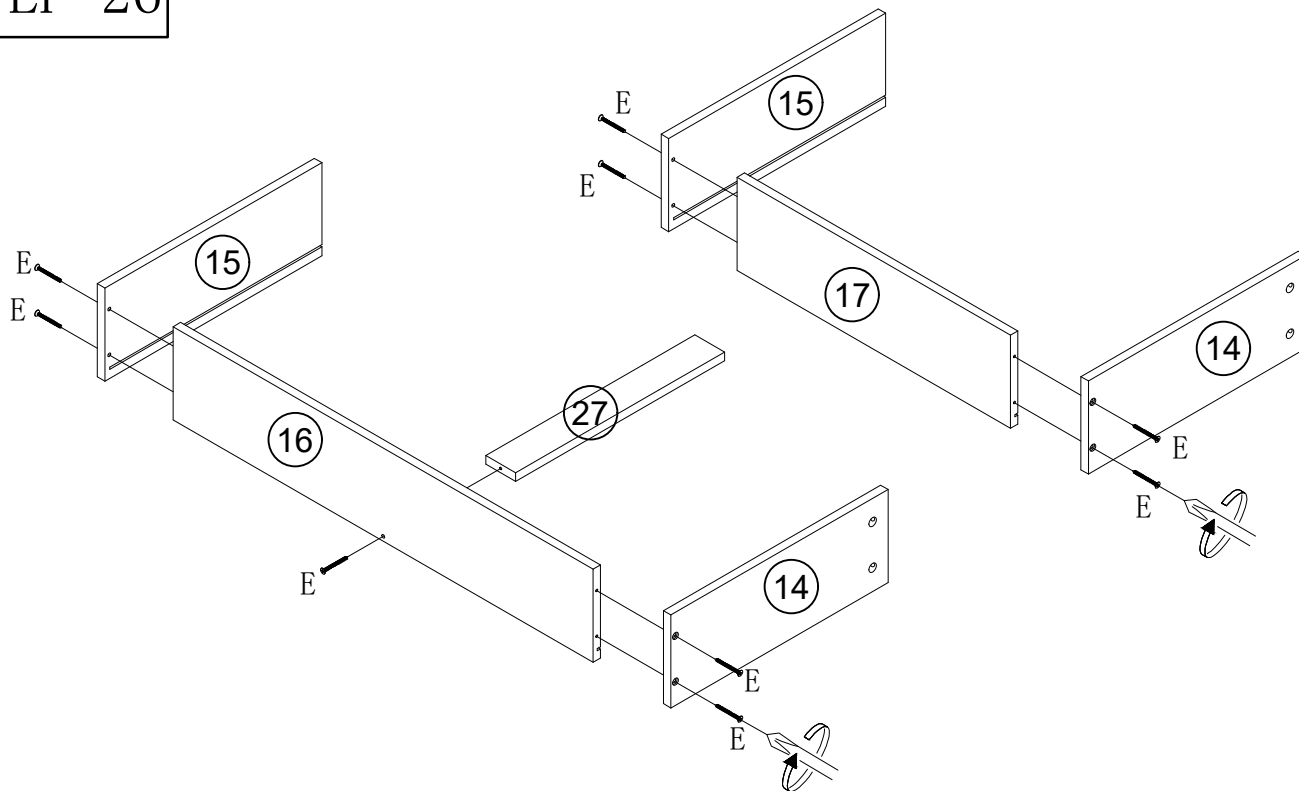
	Cx16pcs
	Dx8pcs

STEP 26



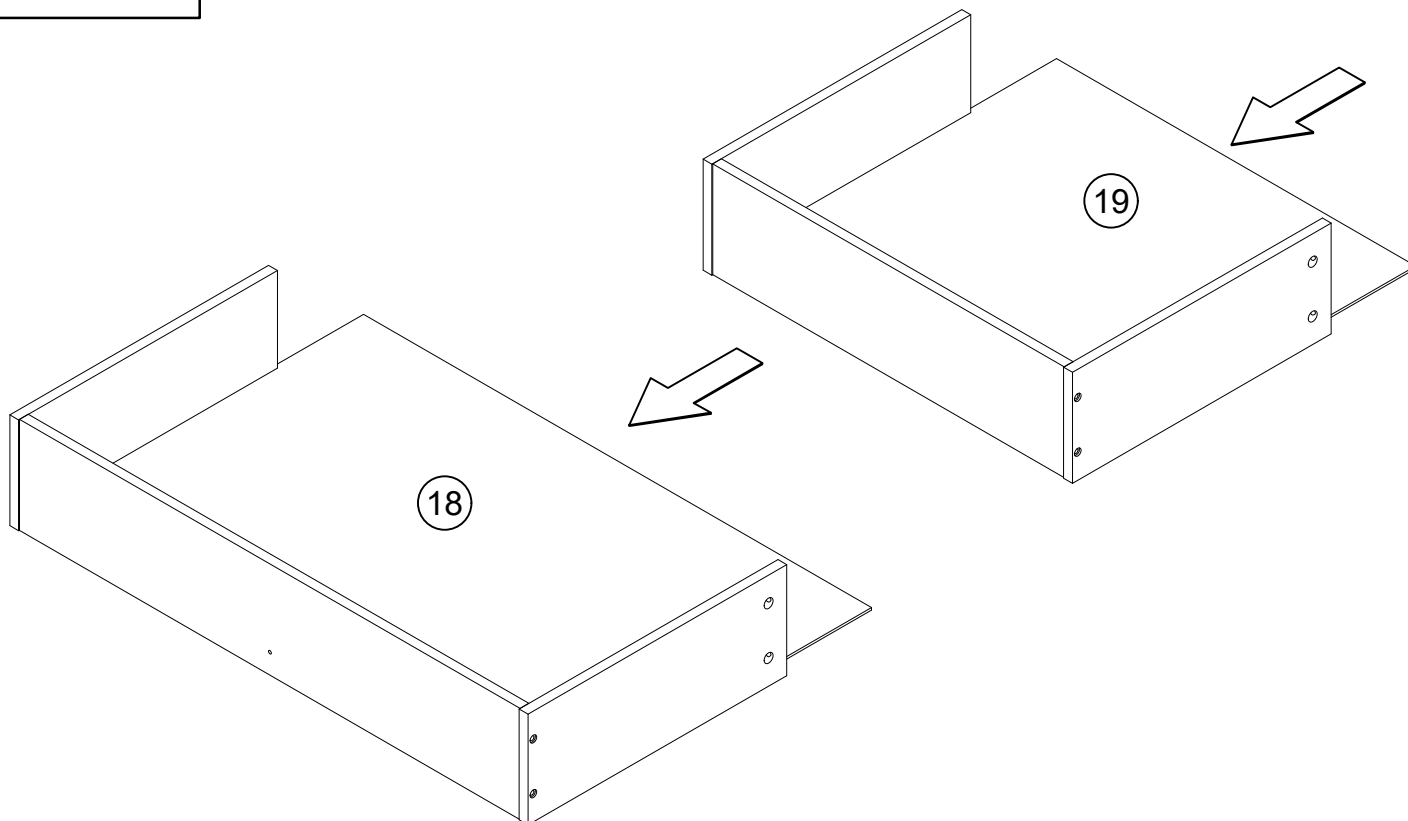
	Cx32pcs
--	---------

STEP 26

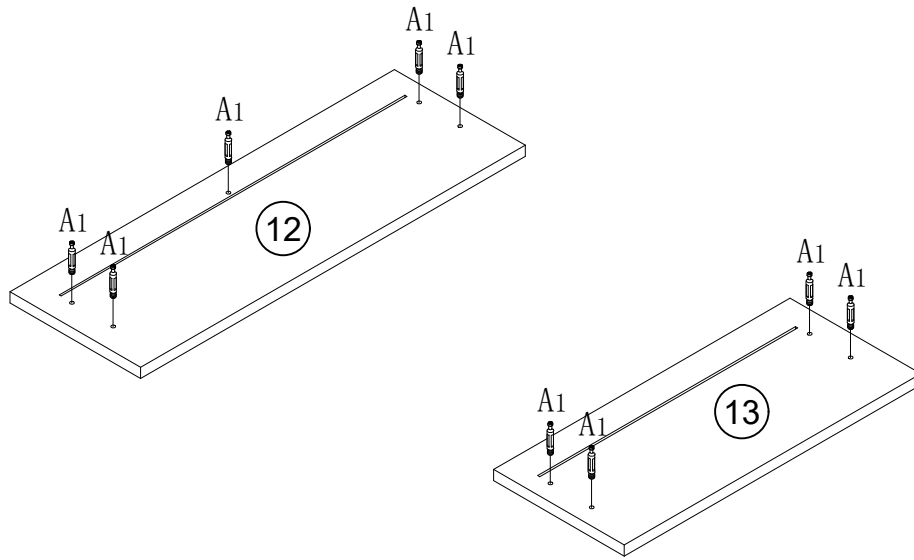


Ex9pcs

STEP 27

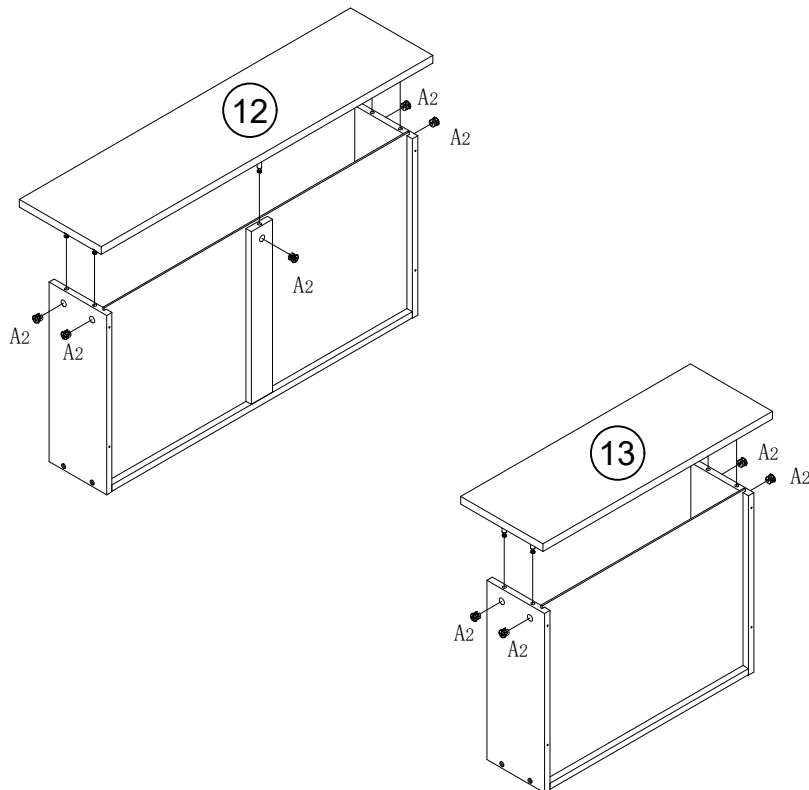


STEP 28



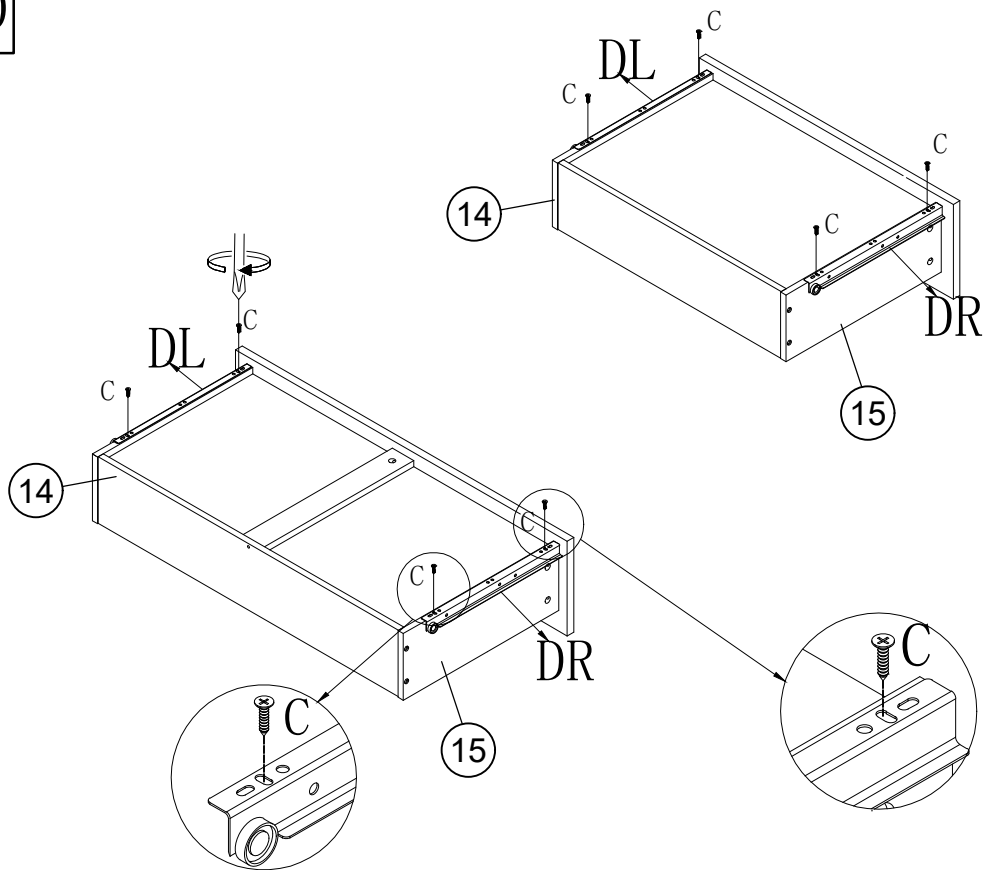
A₁x9pcs

STEP 29



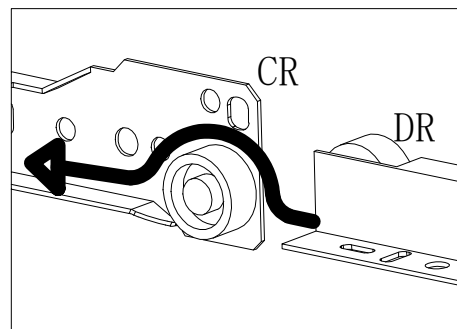
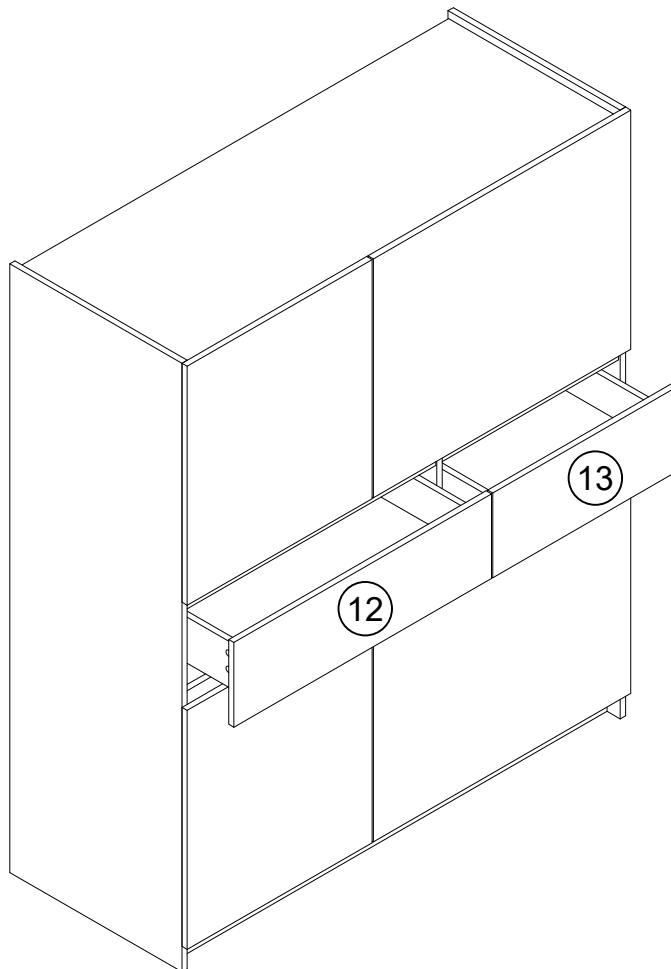
A₂x9pcs

STEP 30

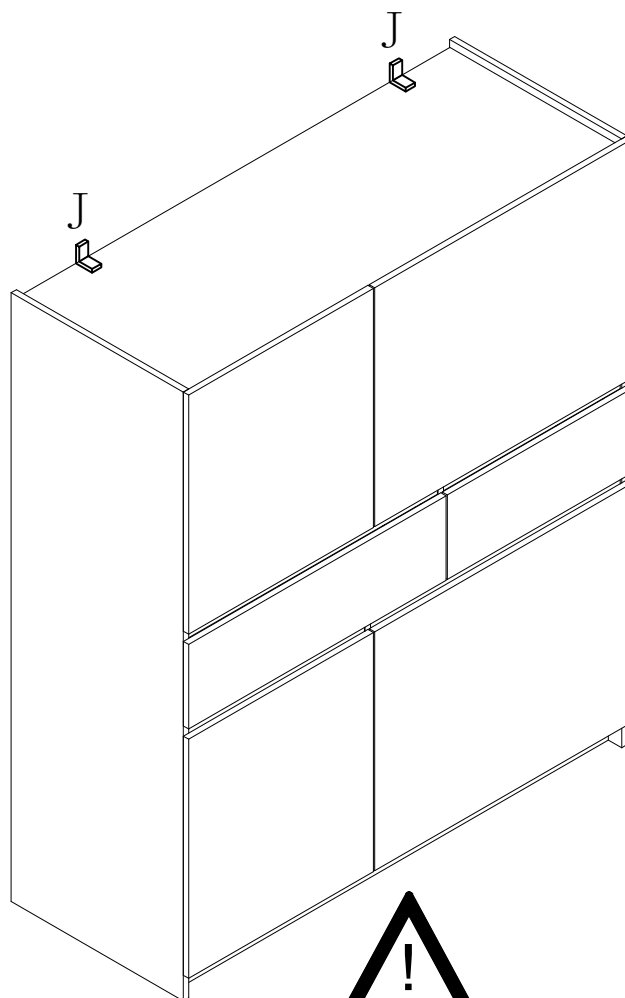
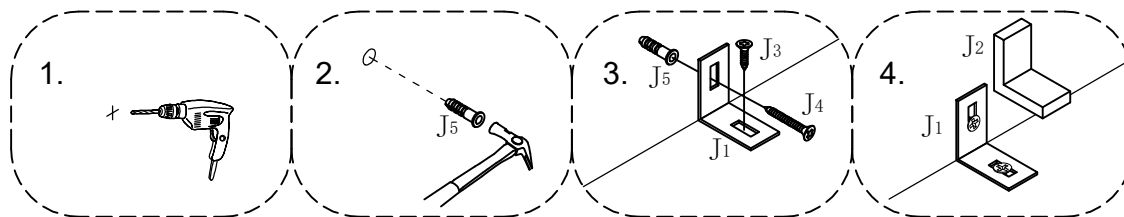


Cx8pcs

STEP 31



STEP 32



Warning:
Before drilling, check wall for hidden pipes and cables.

The unit is floor standing, but it is recommended that the unit is secured to the wall.

1. Move the unit into desired position.
2. Mark the wall with a suitable scribe the position of the fixing holes.
3. Drill holes and insert 2 x wall plug

	J ₁ x2pcs		J ₃ x2pcs		
	J ₂ x2pcs		J ₄ x2pcs		J ₅ x2pcs