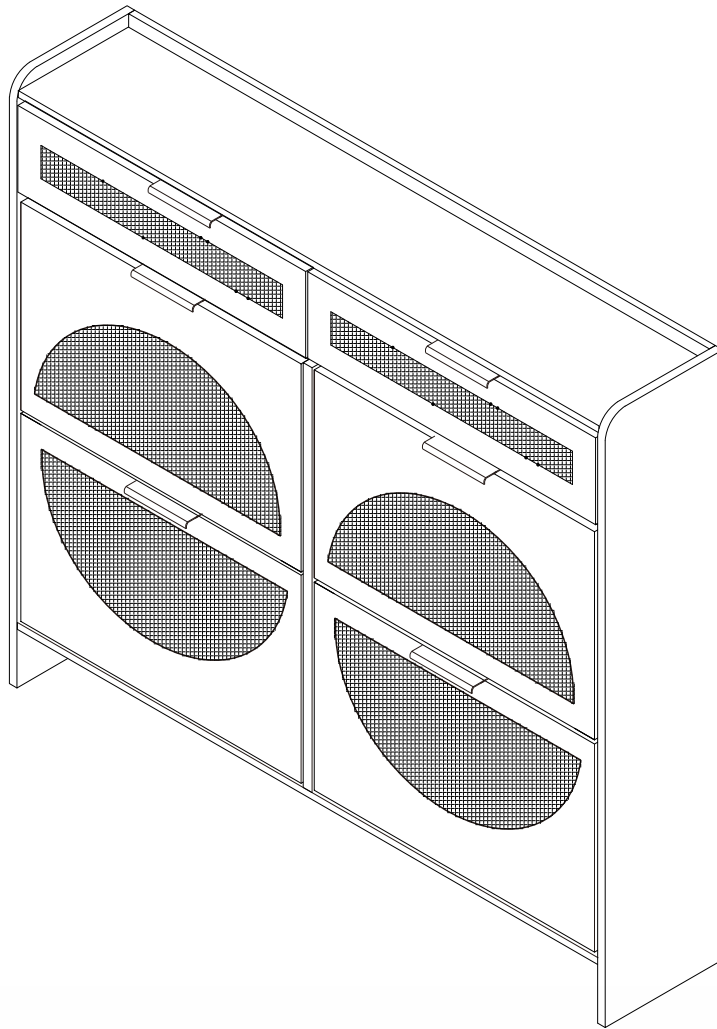


ASSEMBLY INSTRUCTIONS



ATTENTION

Prior to assembly, please check and count all parts and hardware regarding to the list on page 4-5 of the instruction. If there is any part missing or damaged, please send us messages with the part name and number or send us pictures, we will send you the replacement asap.

If you have any questions about the product or assembly, please kindly contact us at anytime, we will solve your problem asap.

Be sure to provide your order ID so we can assist you better.

ASSEMBLY TIPS

1. Please follow each step in the manual to ensure the proper assembly of this product.
2. Assemble the product in a spacious space, and on a soft, clean surface to avoid damage and scratches.
3. 2 people are recommended for ease in the assembly of this product.
4. Ensure all parts and hardware are available before assembly, if you find any part is damaged or missing
5. You will use the following tools: a Phillips head screwdriver.

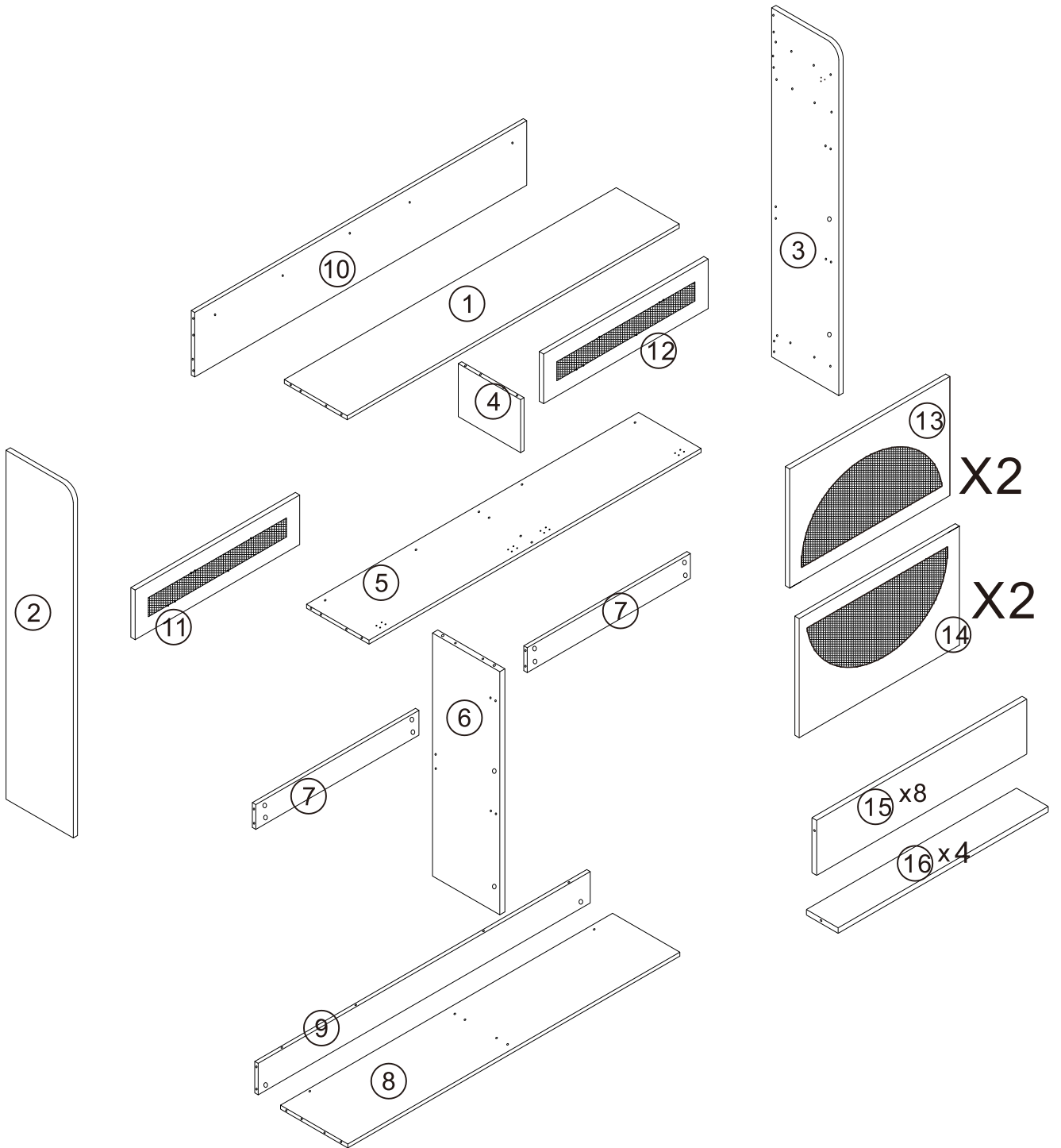


6. The wood dowels can be tapped in lightly with a hammer.
7. We don't recommend using the electric screwdriver, if you use the power screwdriver to tighten the screws, please be slow down, and stop if the screw is already tightened, excessive screwing may damage the screw and product surface.

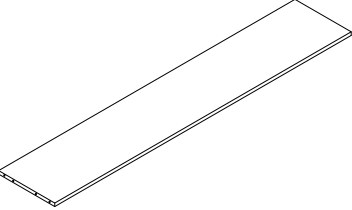
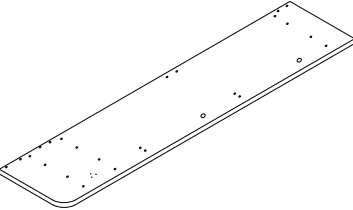
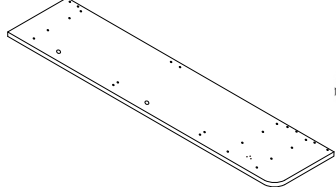
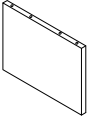
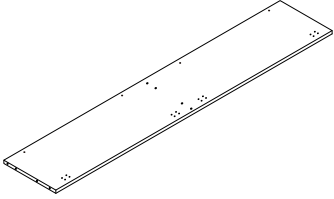
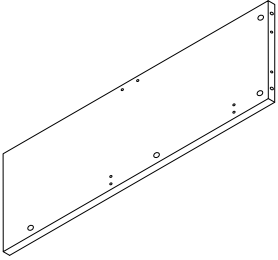
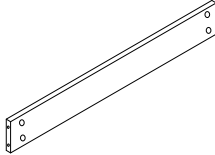
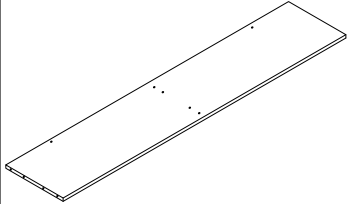
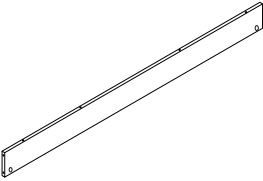
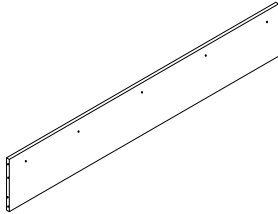
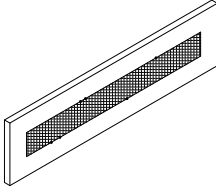
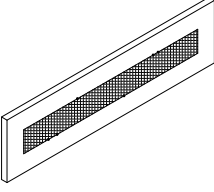
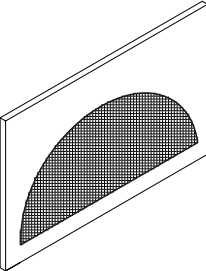
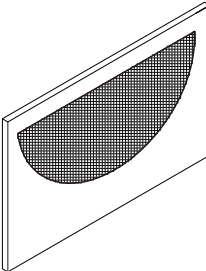
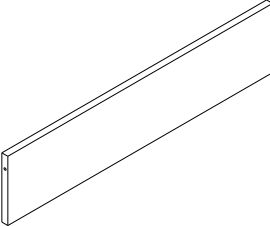
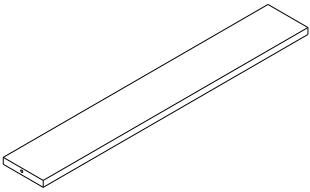
WARNINGS

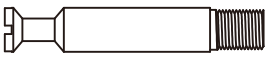

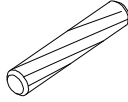


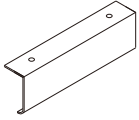
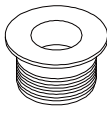

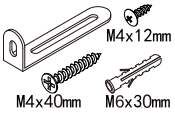
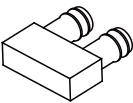


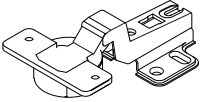


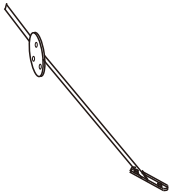

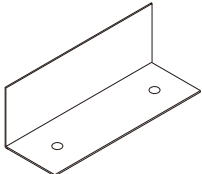
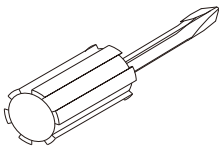
1. Please be careful and slowly when opening and assembling the product, especially keep the parts and packaging away from children to avoid accidental injury.
2. Please avoid using aggressive chemicals/cleaners to avoid damaging the product surface.
3. Don't push or pull the product to avoid damaging your floor.
4. Attention: Don't throw away any packing materials and accessories until assembly is complete.

Exploded Drawing



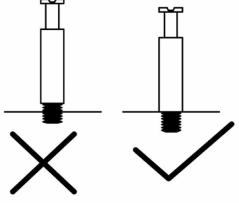
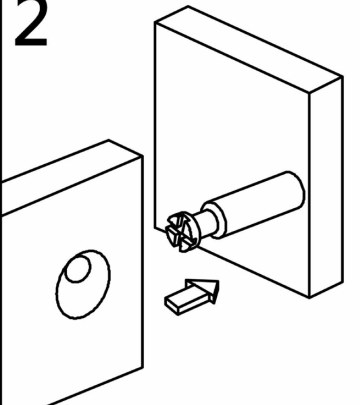
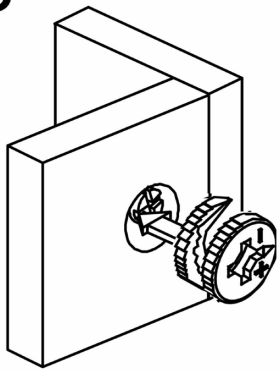
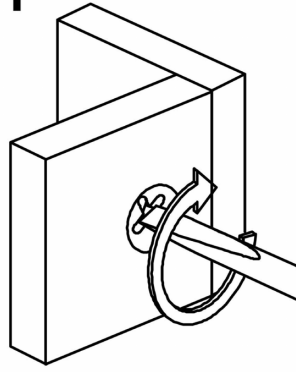
Board list

<p>① TOP PANEL</p>  <p>1PCS</p>	<p>② LEFT SIDE PANEL</p>  <p>1PCS</p>	<p>③ RIGHT SIDE PANEL</p>  <p>1PCS</p>	<p>④ DEVIDER</p>  <p>1PCS</p>
<p>⑤ Horizontal bar</p>  <p>1PCS</p>	<p>⑥ DEVIDER</p>  <p>1PCS</p>	<p>⑦ BACK MIDDLE BAR</p>  <p>2PCS</p>	<p>⑧ BOTTOM PANEL</p>  <p>1PCS</p>
<p>⑨ BACK LOWER BAR</p>  <p>1PCS</p>	<p>⑩ BACK UPPER PANEL</p>  <p>1PCS</p>	<p>⑪ LEFT SMALL DOOR</p>  <p>1PCS</p>	<p>⑫ RIGHT SMALL DOOR</p>  <p>1PCS</p>
<p>⑬ UPPER FLIP DOOR</p>  <p>2PCS</p>	<p>⑭ LOWER FLIP DOOR</p>  <p>2PCS</p>	<p>⑮ SHOE BOX LAYER PANEL</p>  <p>8PCS</p>	<p>⑯ SHOE BOX BOTTOM PANEL</p>  <p>4PCS</p>

<p>(A) CAM BOLT</p>  <p>∅6X35mm</p> <p>30PCS spare:3</p>	<p>(B) CAM LOCK</p>  <p>∅15X10mm</p> <p>30PCS spare:3</p>	<p>(C) WOOD DOWEL</p>  <p>∅6X30mm</p> <p>32PCS spare:3</p>	<p>(D) SCREW</p>  <p>∅3.5 X14 mm</p> <p>72PCS spare:3</p>
<p>(E) SCREW</p>  <p>M3x12</p> <p>12PCS spare:2</p>	<p>(F) HANDLE</p>  <p>6PCS</p>	<p>(G) PLASTIC SCREW</p>  <p>8PCS spare:1</p>	<p>(H) PLASTIC PLUG</p>  <p>8PCS spare:1</p>
<p>(J) ANTI-TIP ACCESSORIES</p>  <p>M4x40mm M4x12mm M6x30mm</p> <p>2PCS</p>	<p>(K) PLASTIC PIN</p>  <p>8PCS spare:1</p>	<p>(L) SHOE BOX LEFT SUPPORT</p>  <p>4PCS</p>	<p>(M) SCREW</p>  <p>M4x35mm</p> <p>11PCS spare:2</p>
<p>(N) HINGE</p>  <p>4PCS</p>	<p>(P) SCREW</p>  <p>∅3.5 X10MM</p> <p>8PCS spare:1</p>	<p>(R) SHOE BOX RIGHT SUPPORT</p>  <p>4PCS</p>	<p>(S) PULL ROD</p>  <p>2PCS</p>
<p>(T) SCREW</p>  <p>M4x12mm</p> <p>14 PCS spare:2</p>	<p>(V) DOOR STOPPER</p>  <p>2PCS</p>	<p>SCREW DRIVER</p> 	

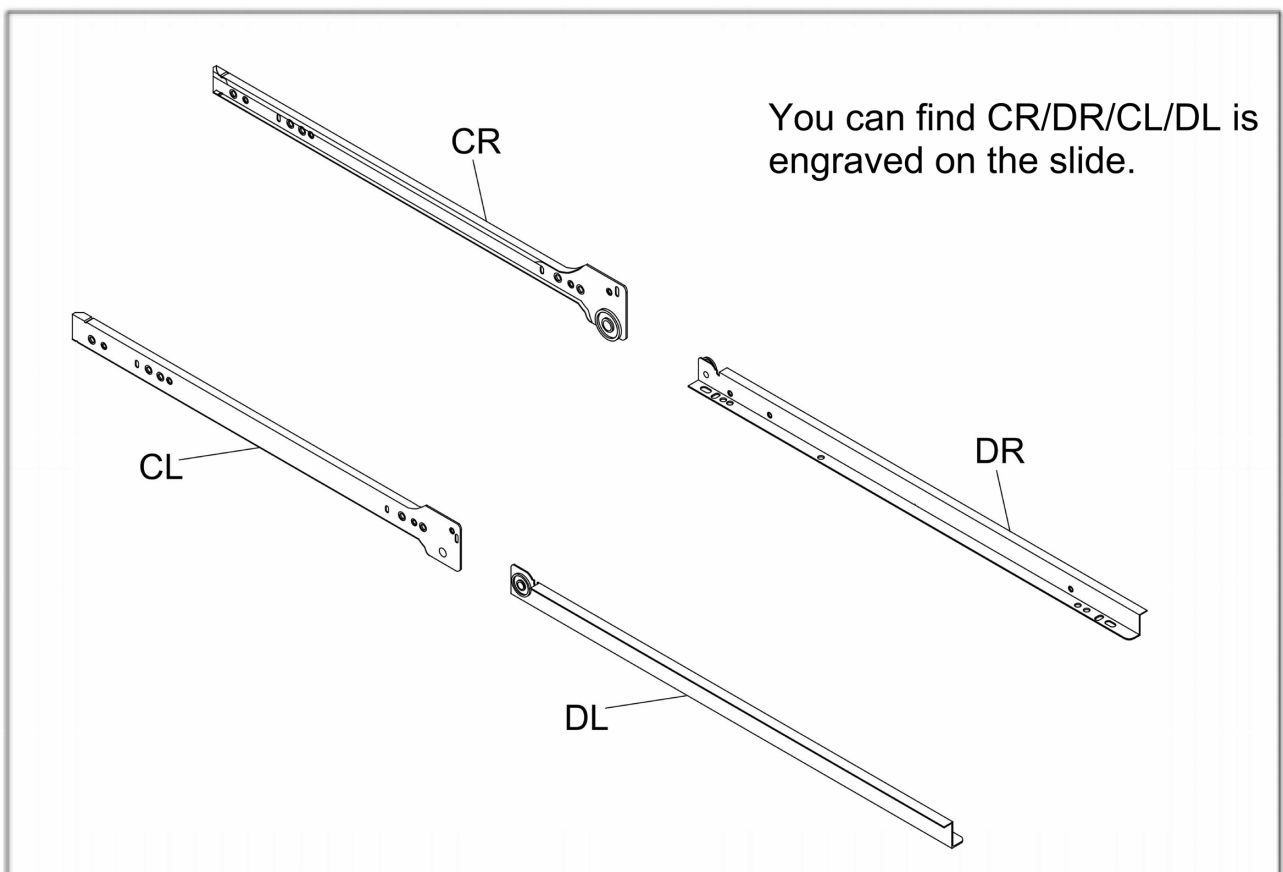
CAM LOCK/BOLT FASTENING INTRODUCTION

(You will use it during assembly)

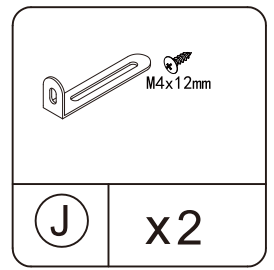
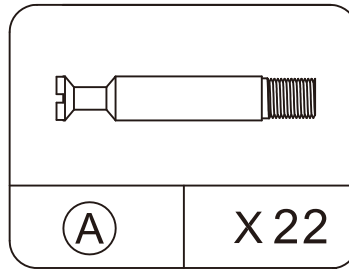
1 	2 	3 	4 
<p>1.Screw cam bolt into the threaded anchor gently. (Attention:don't screw cam bolt too deep or too shallow.)</p>	<p>2.Please connect the 2 boards you want connect by inserting cam bolt.</p>	<p>3.Insert the cam lock into the round hole of the board. (Attention:point the arrow on the top of the cam lock to the outer edge.)</p>	<p>4.Turn the cam lock clockwise until it is firmly tightened.</p>

SLIDE INTRODUCTION

(You will use it during assembly)



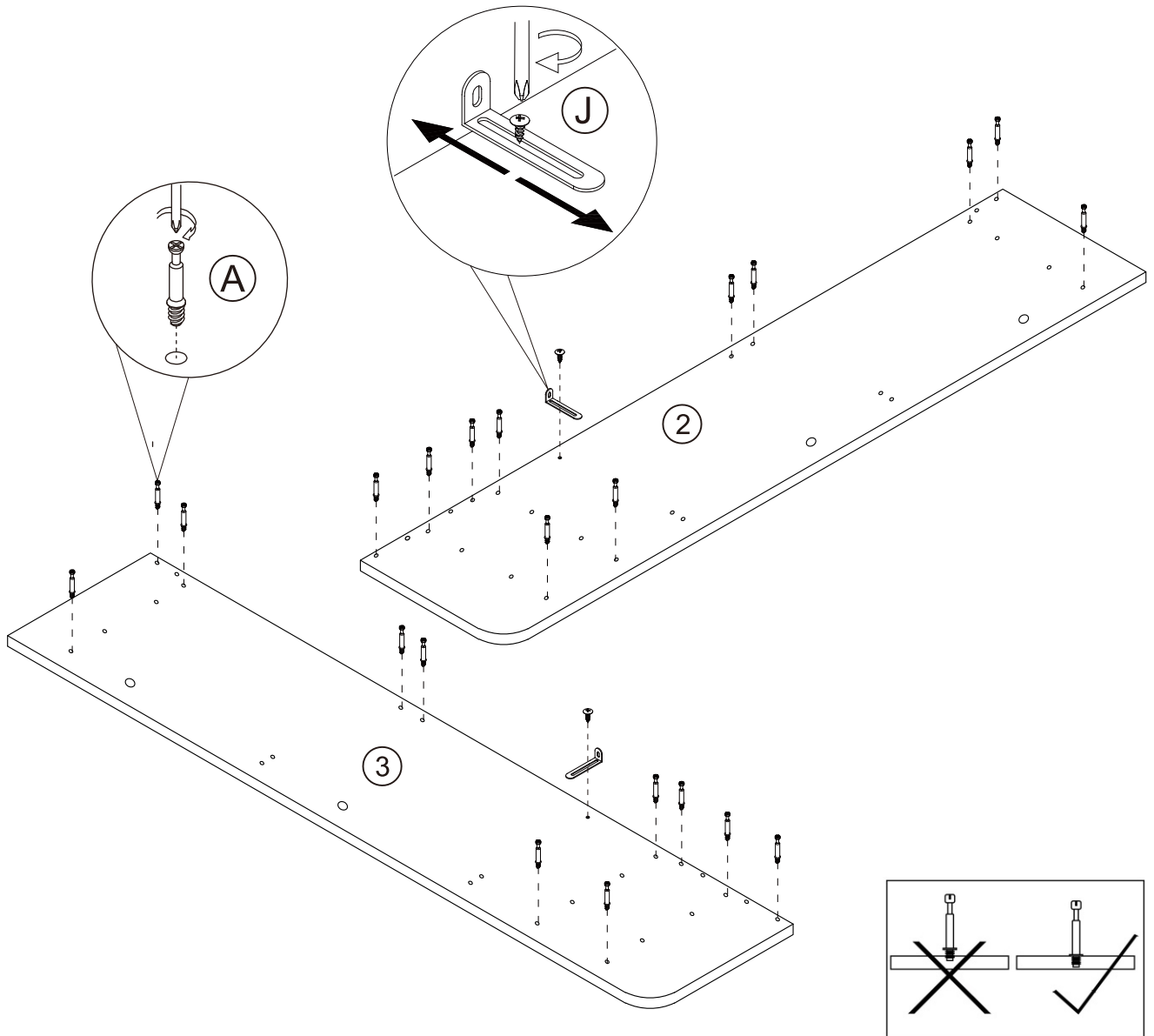
1



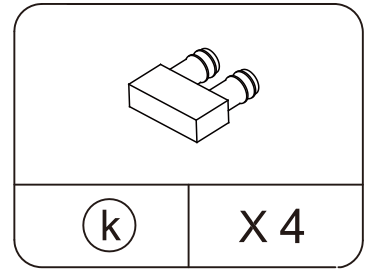
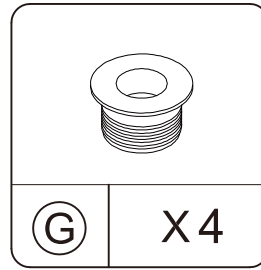
(1) Gently screw cam bolt (A) into the threaded anchor on panel (2) (3).

(2) Use screw (J) to lock the L-shaped metal plate (J) to panel (2) (3).

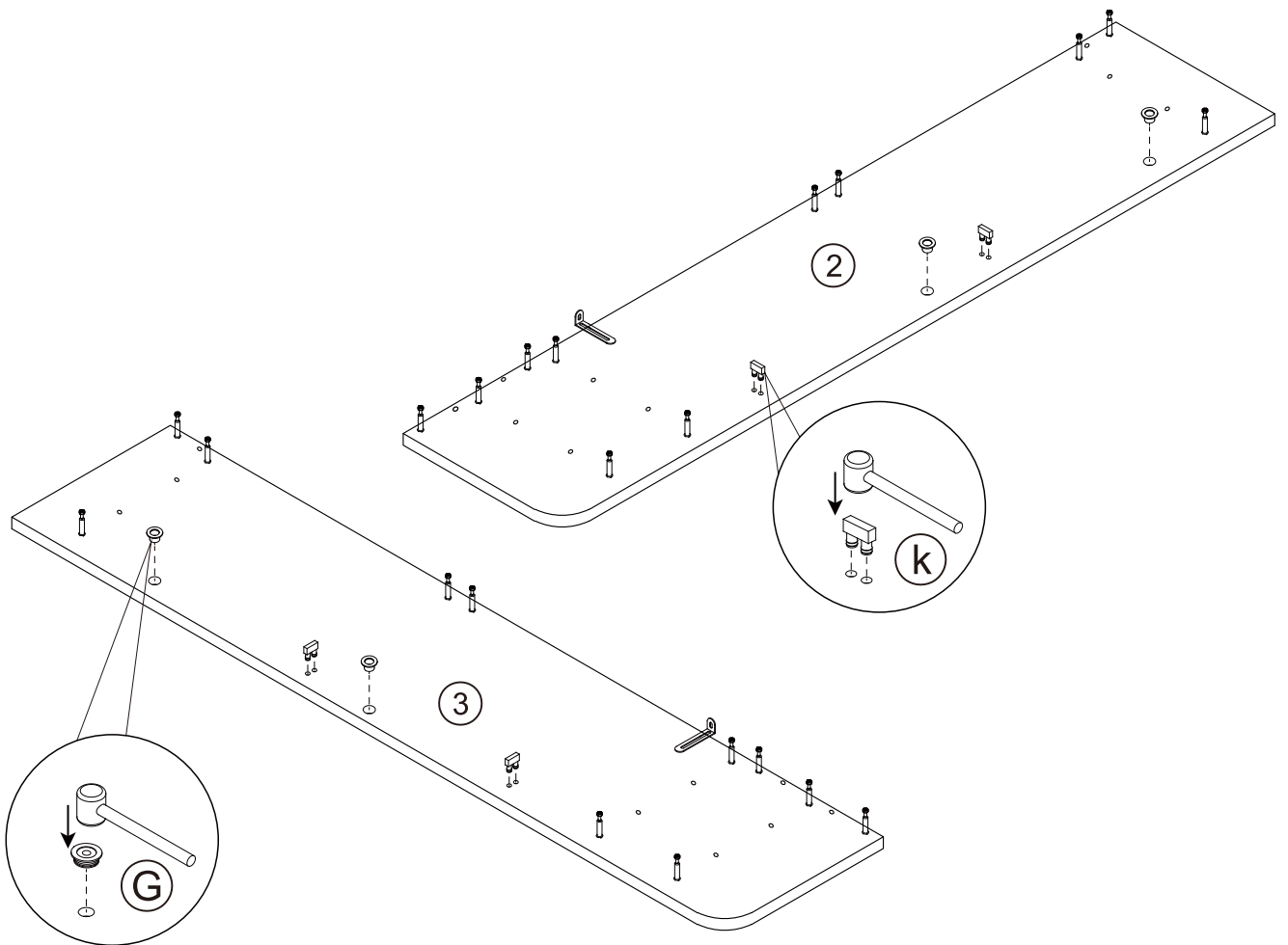
Just tighten the screw (U) to 90%, and tighten screws 100% after you lock the cabinet to the wall in step 10.



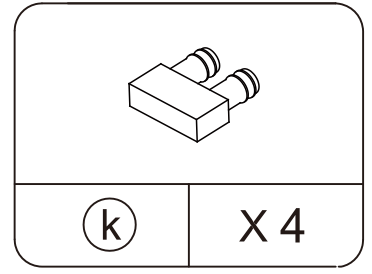
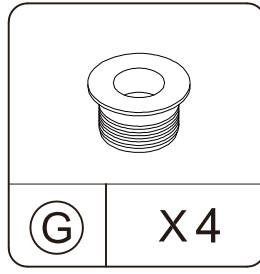
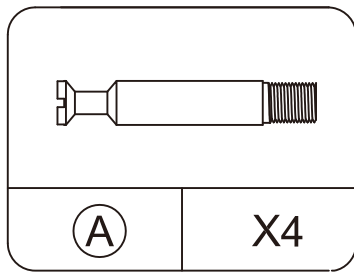
2



(1) Use a hammer to gently hammer the plastic fitting (G)(K) into panel (2)(3).

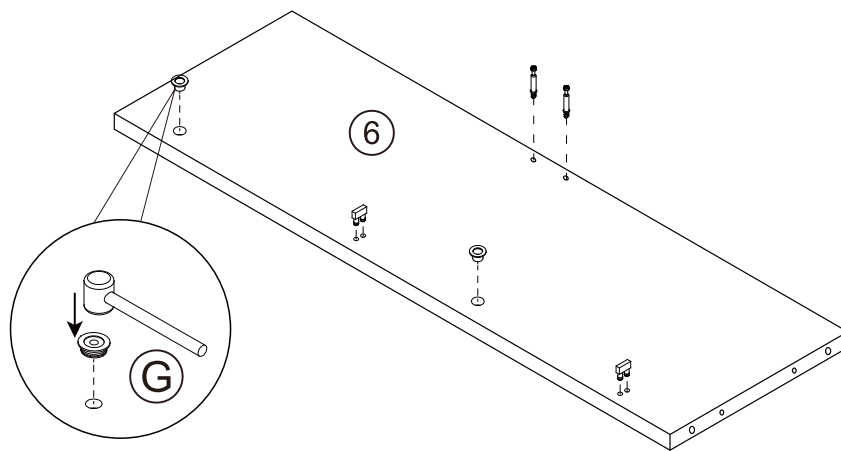
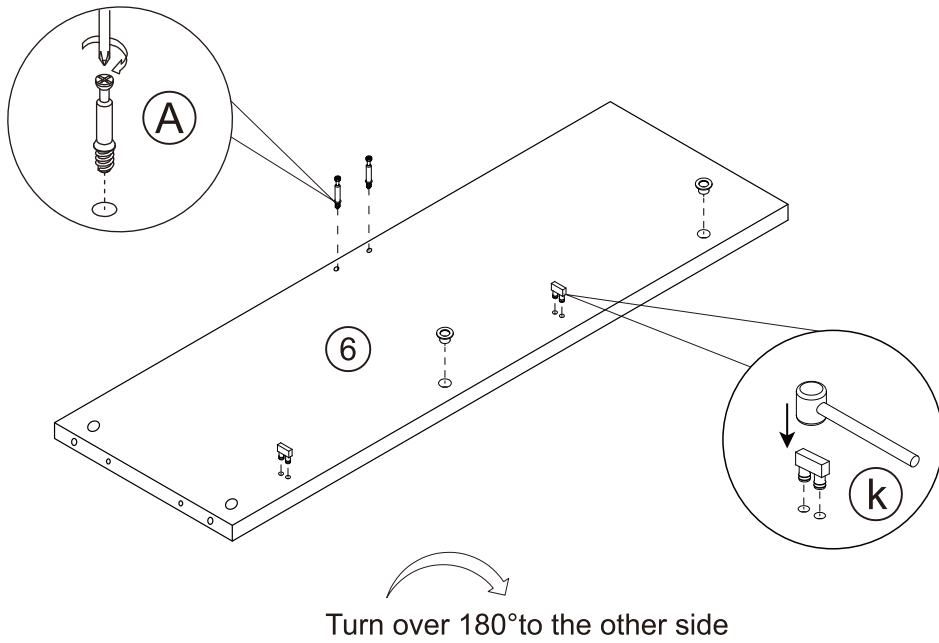


3

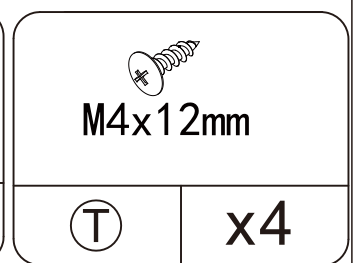
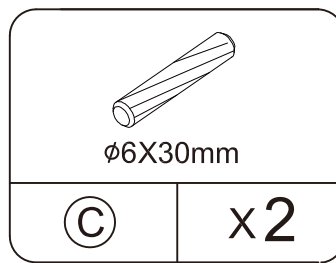
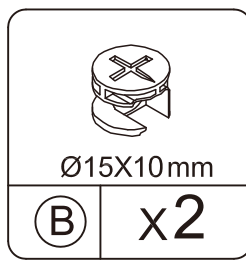
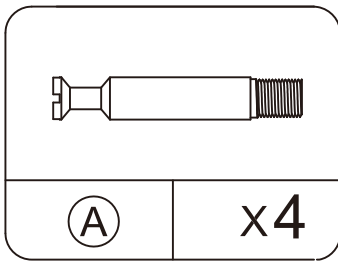


(1) Gently screw cam bolt(A) into the threaded anchor on panel(6) and use a hammer to gently hammer the plastic fitting(G)(K) into panel(6).

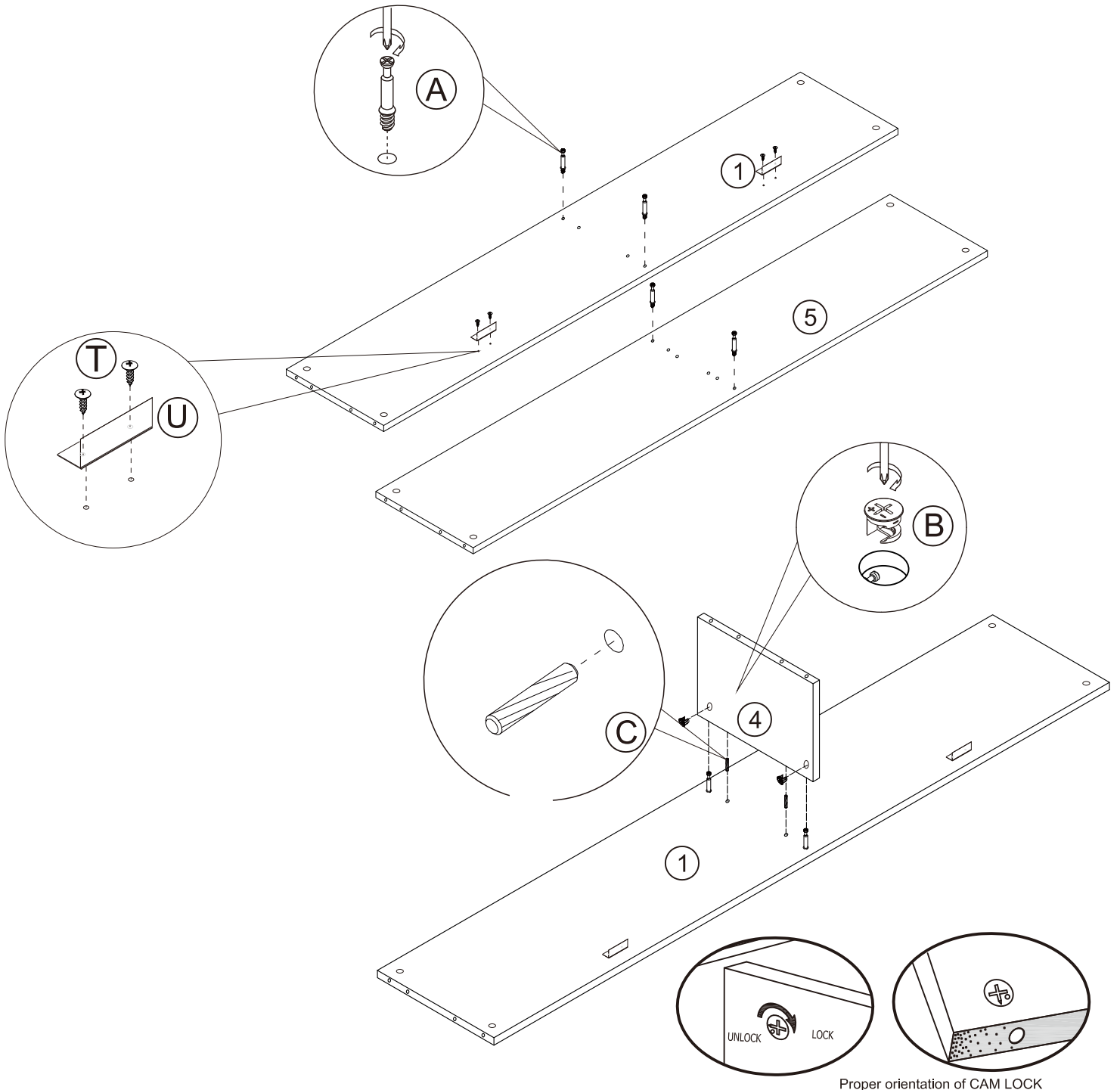
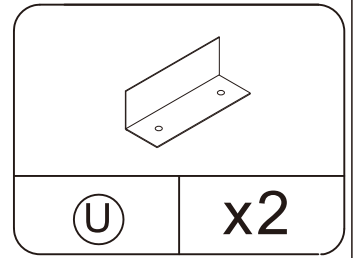
(2) Turn over 180° to the other side of panel(6) and do the same.



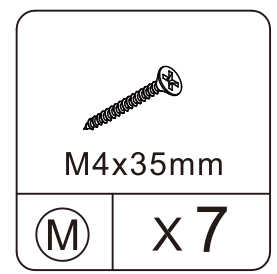
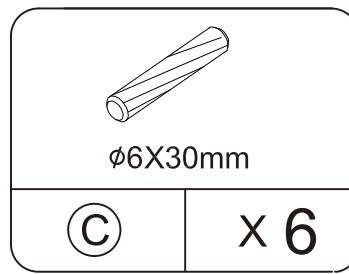
4



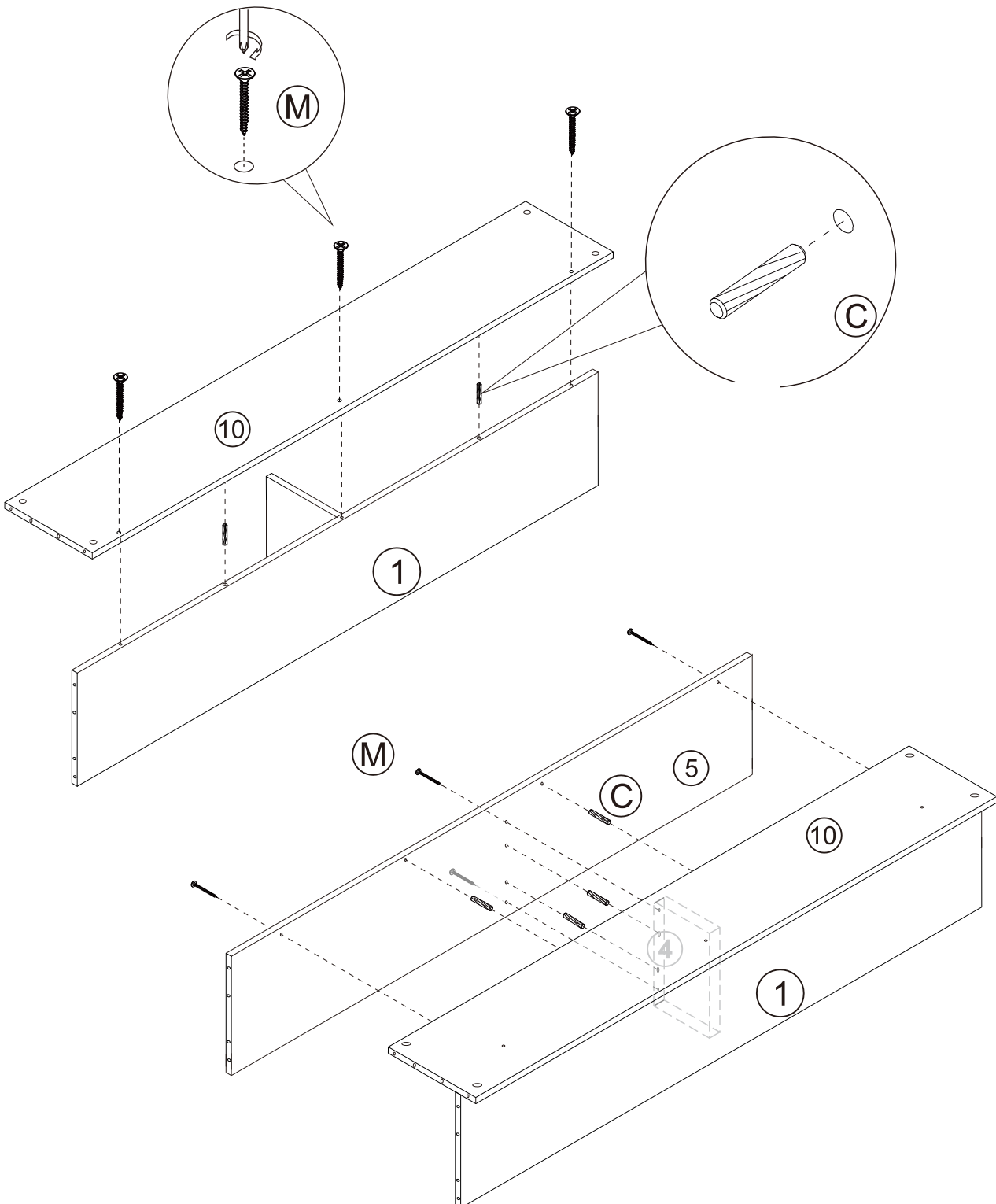
- (1) Gently screw cam bolt (A) into the threaded anchor on panel (1) (5), and secure door stopper (V) to top panel (5) with screw (T).
- (2) Attach panel (4) to panel (1) by inserting wooden dowel (C) and cam lock (B), and then rotate clockwise to secure cam lock (B).



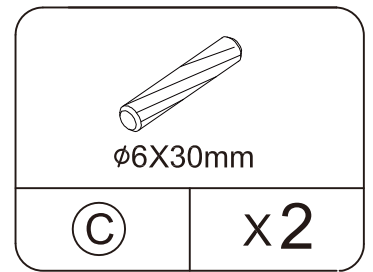
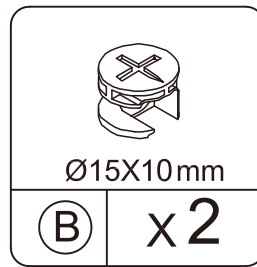
5



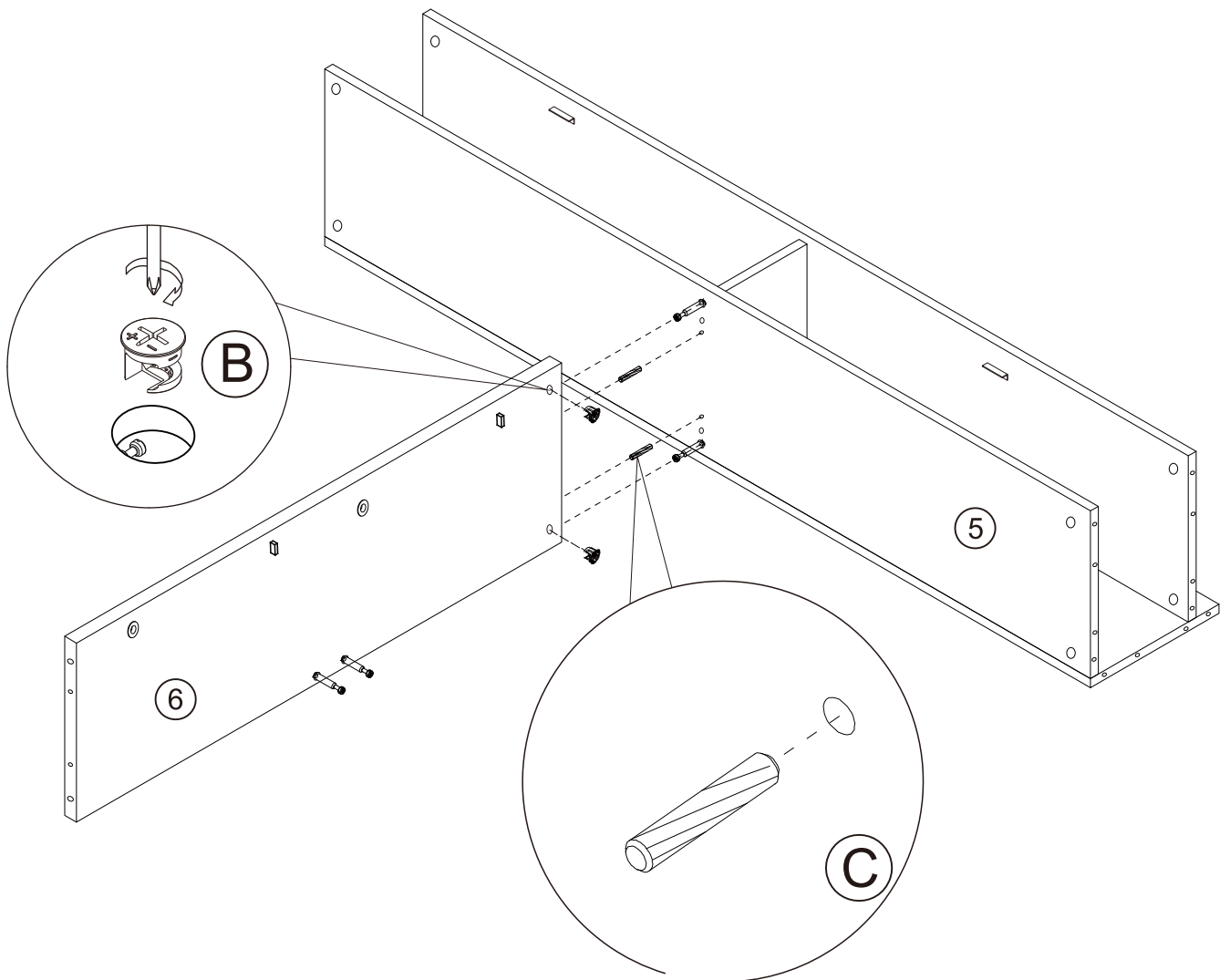
- (1) Attach panel(10) to panel(1) with wooden dowel(C) and screw(M).
- (2) Attach panel(5) to the frame with wooden dowel(C) and screw(M).



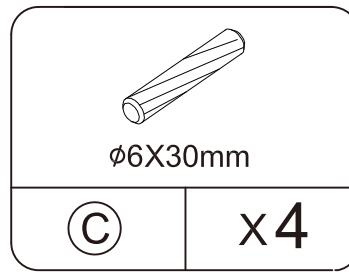
6



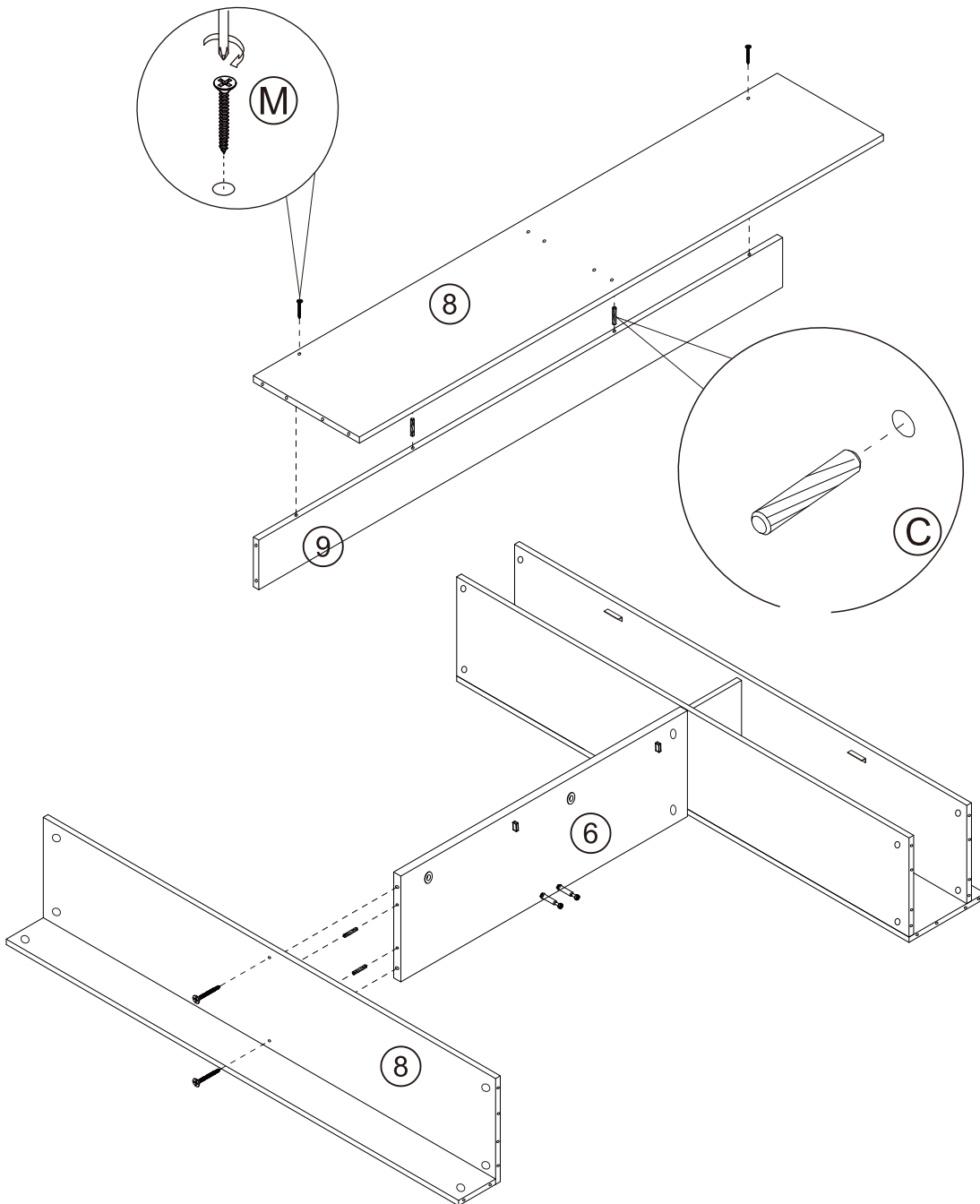
(1) Attach panel(6) to panel(5) by inserting wooden dowel(C) and cam lock(B), and then rotate clockwise to secure cam lock(B).



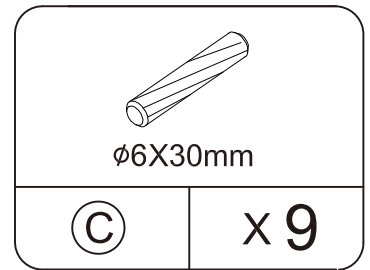
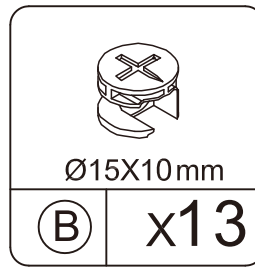
7



- (1) Attach panel(9) to panel(8) with wooden dowel(C) and screw(M).
- (2) Attach panel(8) to panel(6) with wooden dowel(C) and screw(M).

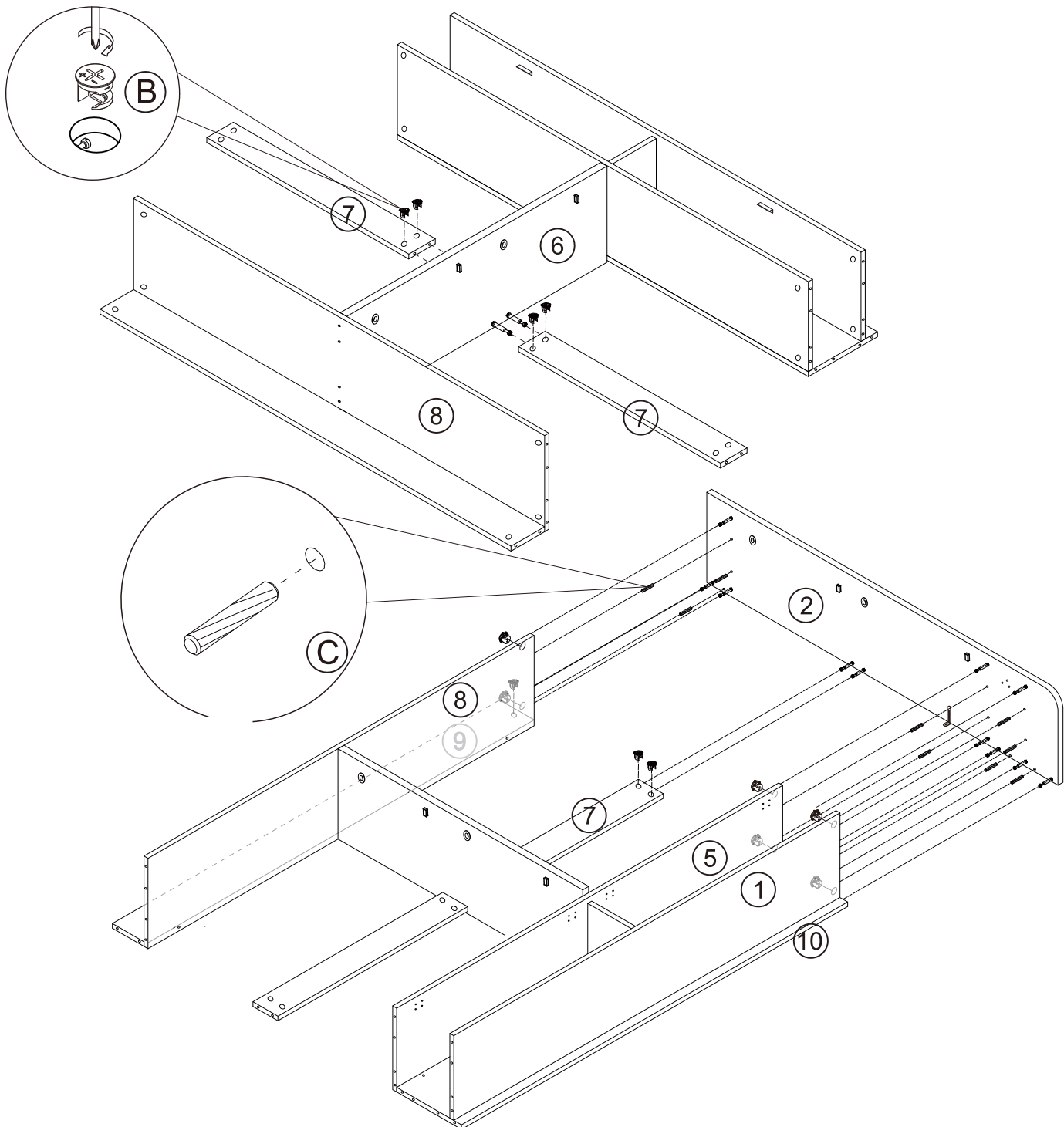


8

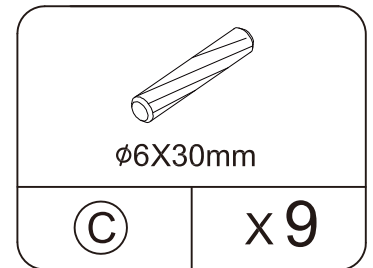
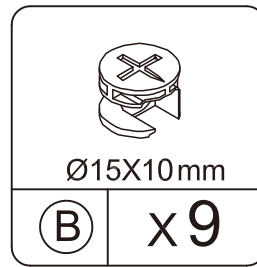


(1) Attach panels (7) to panel (6) by inserting cam lock (B), and then rotate clockwise to secure cam lock (B).

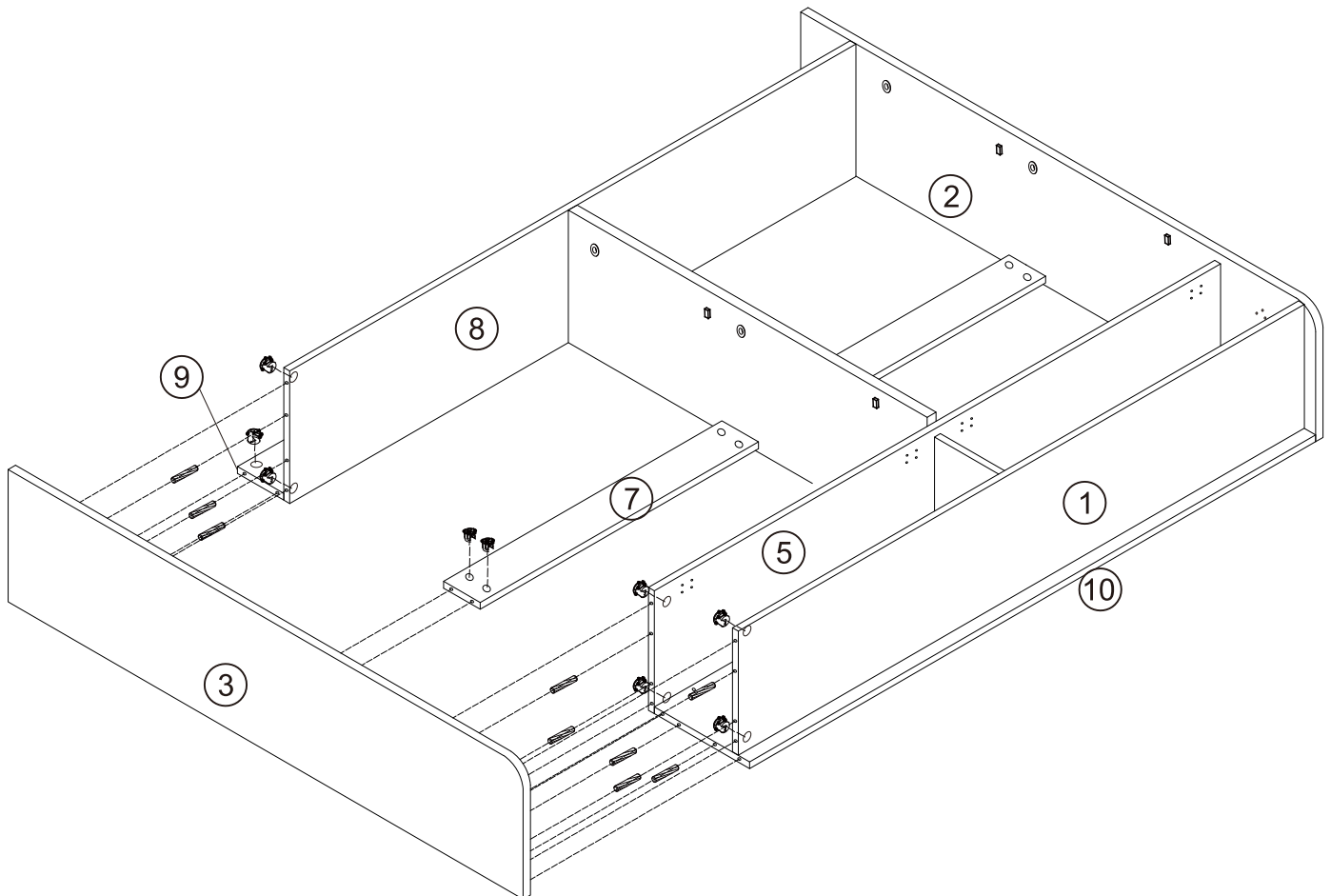
(2) Attach panel (2) to the frame by inserting wooden dowel (C) and cam lock (B), and then rotate clockwise to secure cam lock (B).



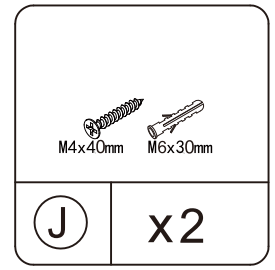
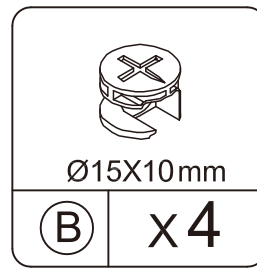
9



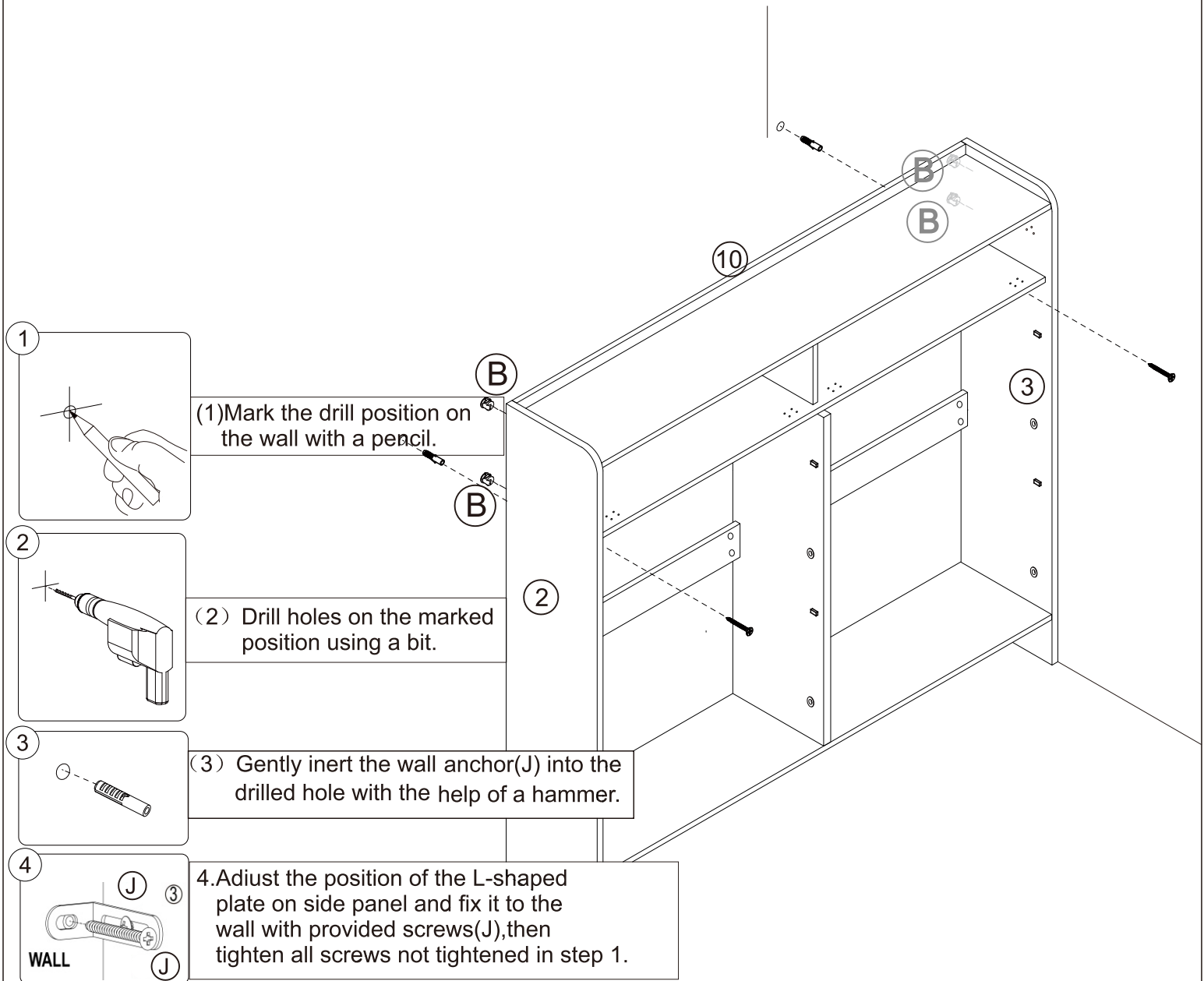
(1) Attach panels(3) to the frame assembled in the last step by inserting cam lock(B), and then rotate clockwise to secure cam lock(B).



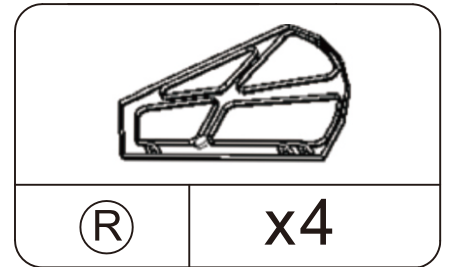
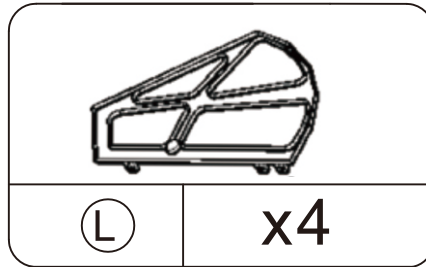
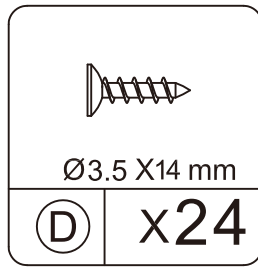
10



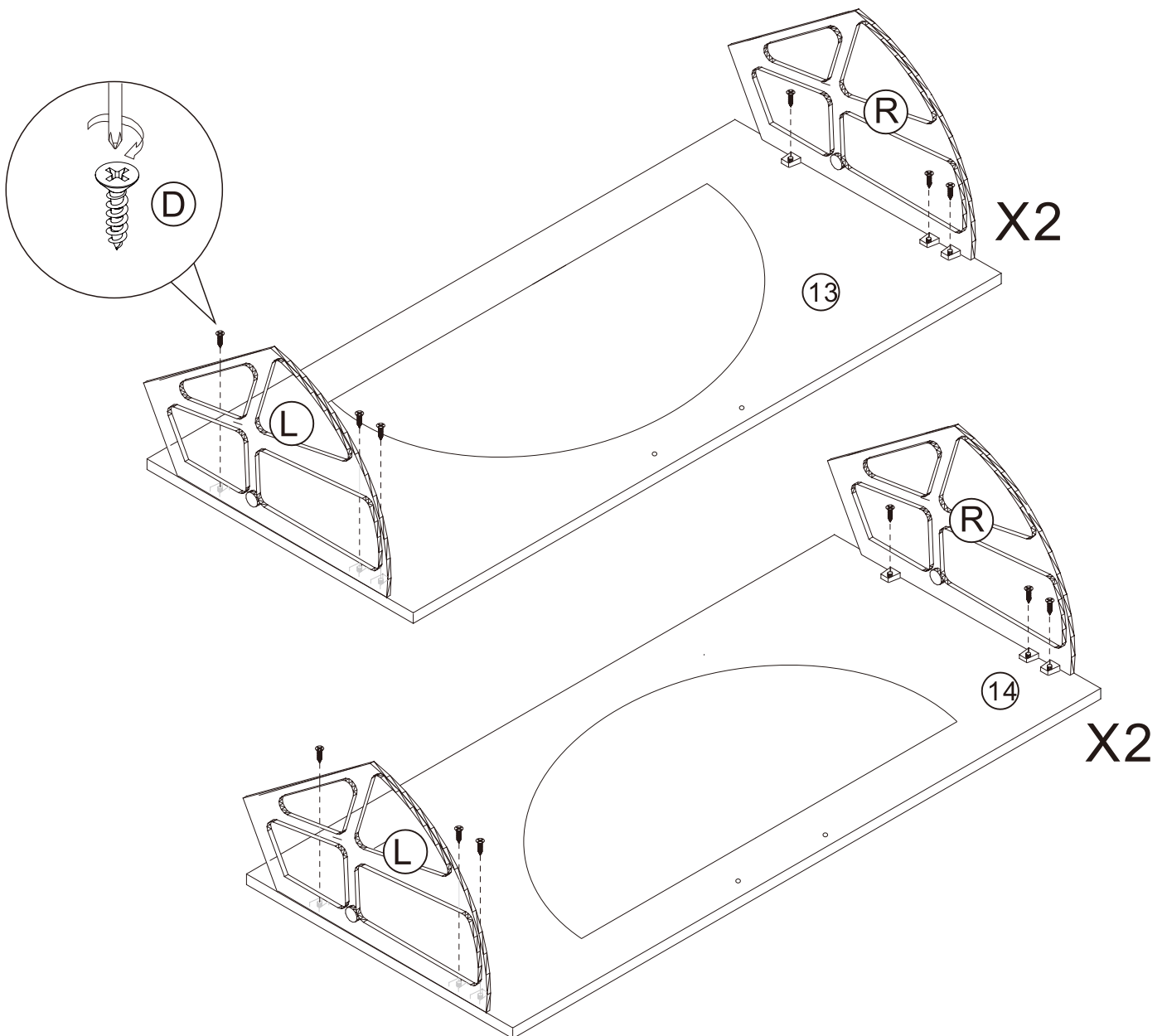
Because the cabinet is very narrow, please must permanently fixed to the wall with included anti-tipping device to prevent the cabinet from tipping over



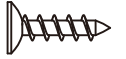
11



(1) Install the flip support(L)(R) onto the door panel(13)(14) with screw(D).



12

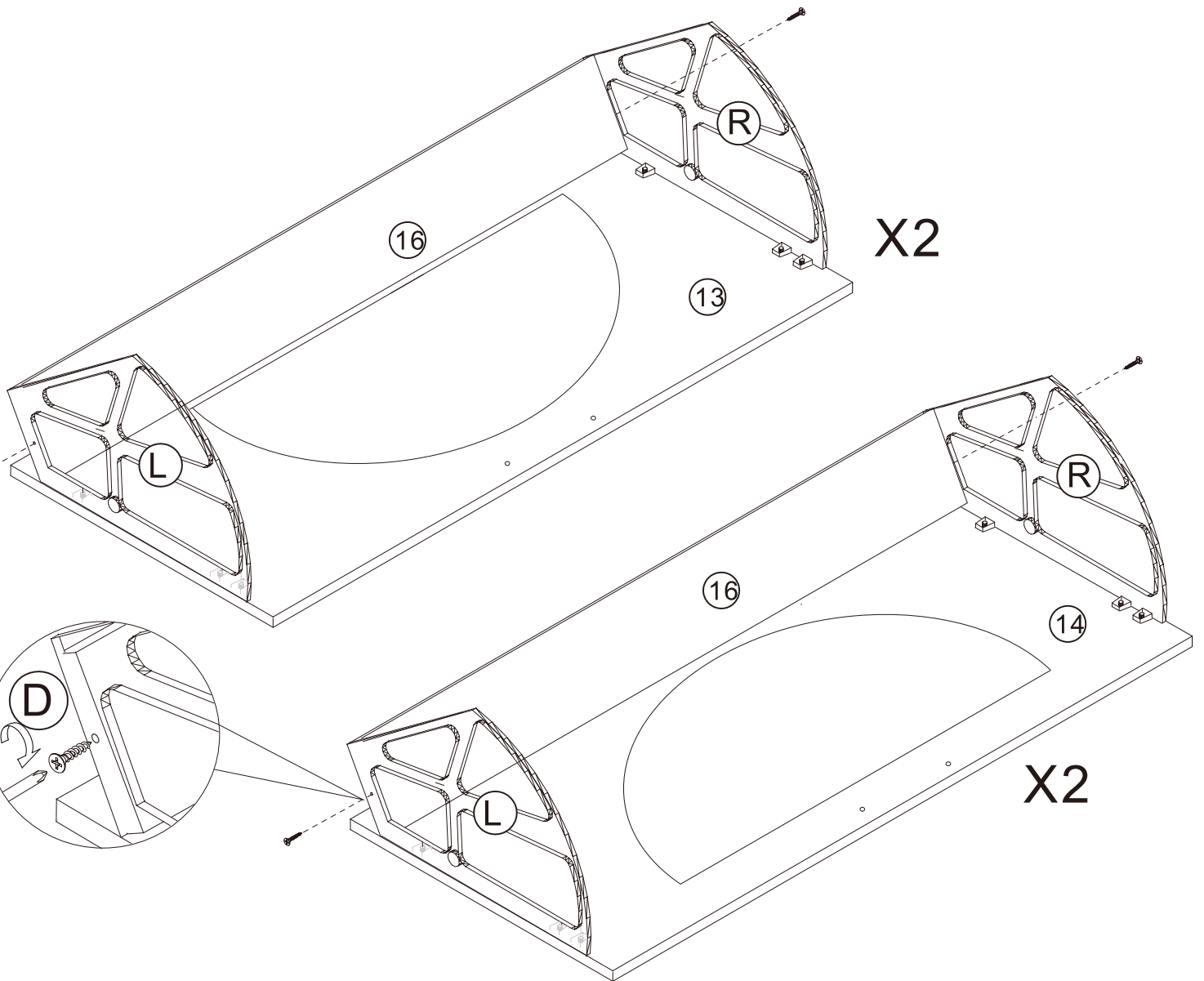


Ø3.5 X14mm

(D)

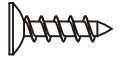
x8

(1) Install panel(16) to the flip support(L)(R) with screw(D).



13

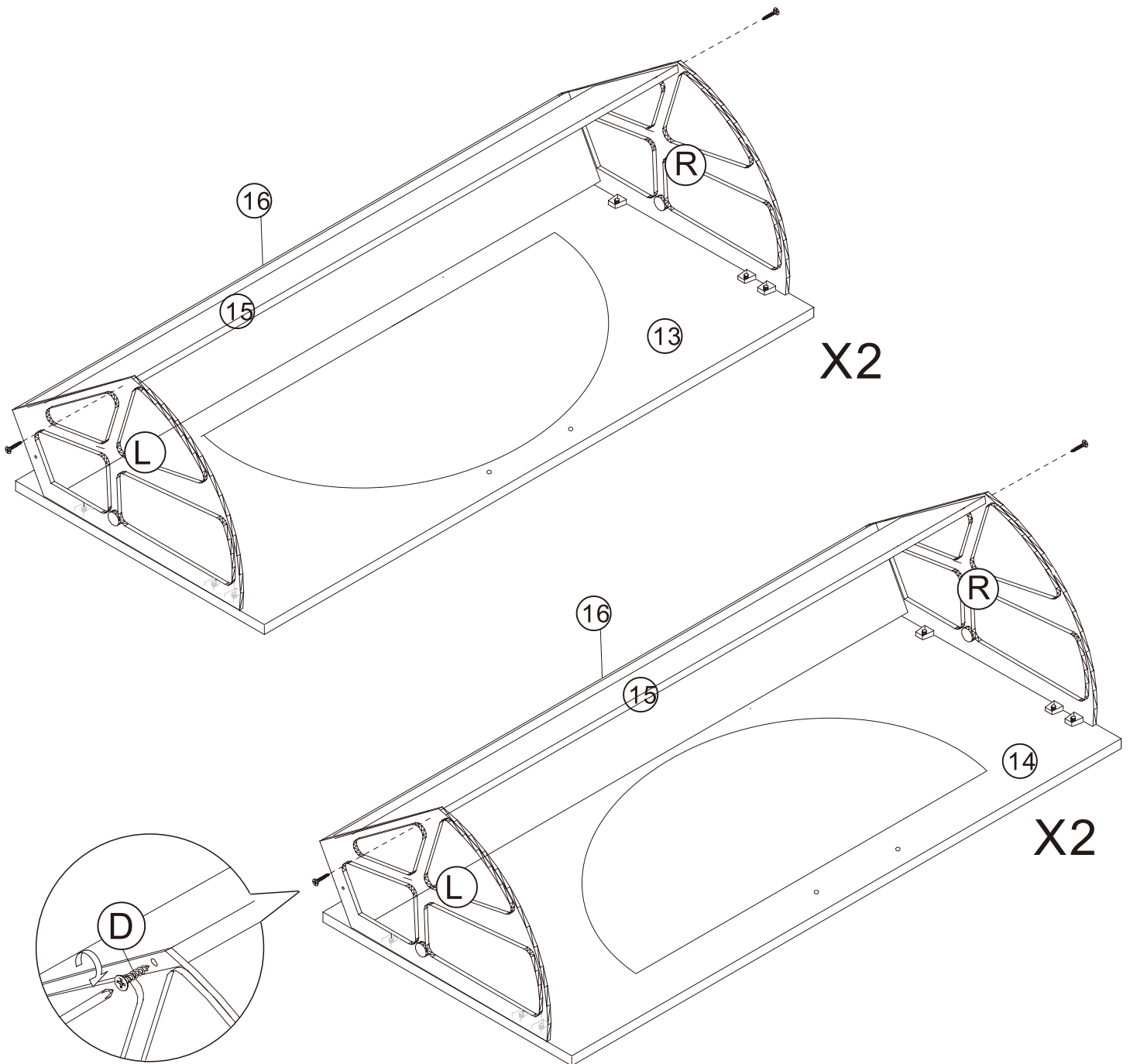
(1) Install panel(15) to the flip support(L)(R) with screw(D).



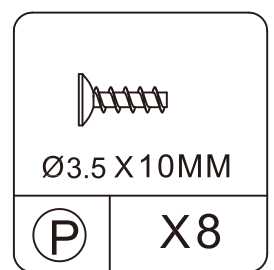
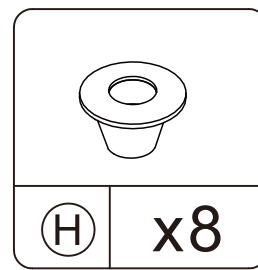
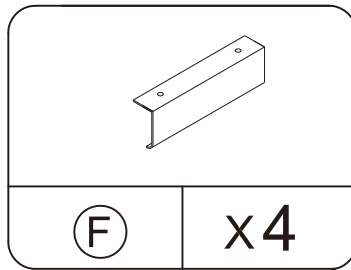
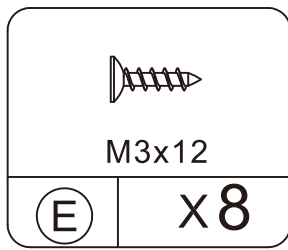
Ø3.5 X14mm

(D)

x8



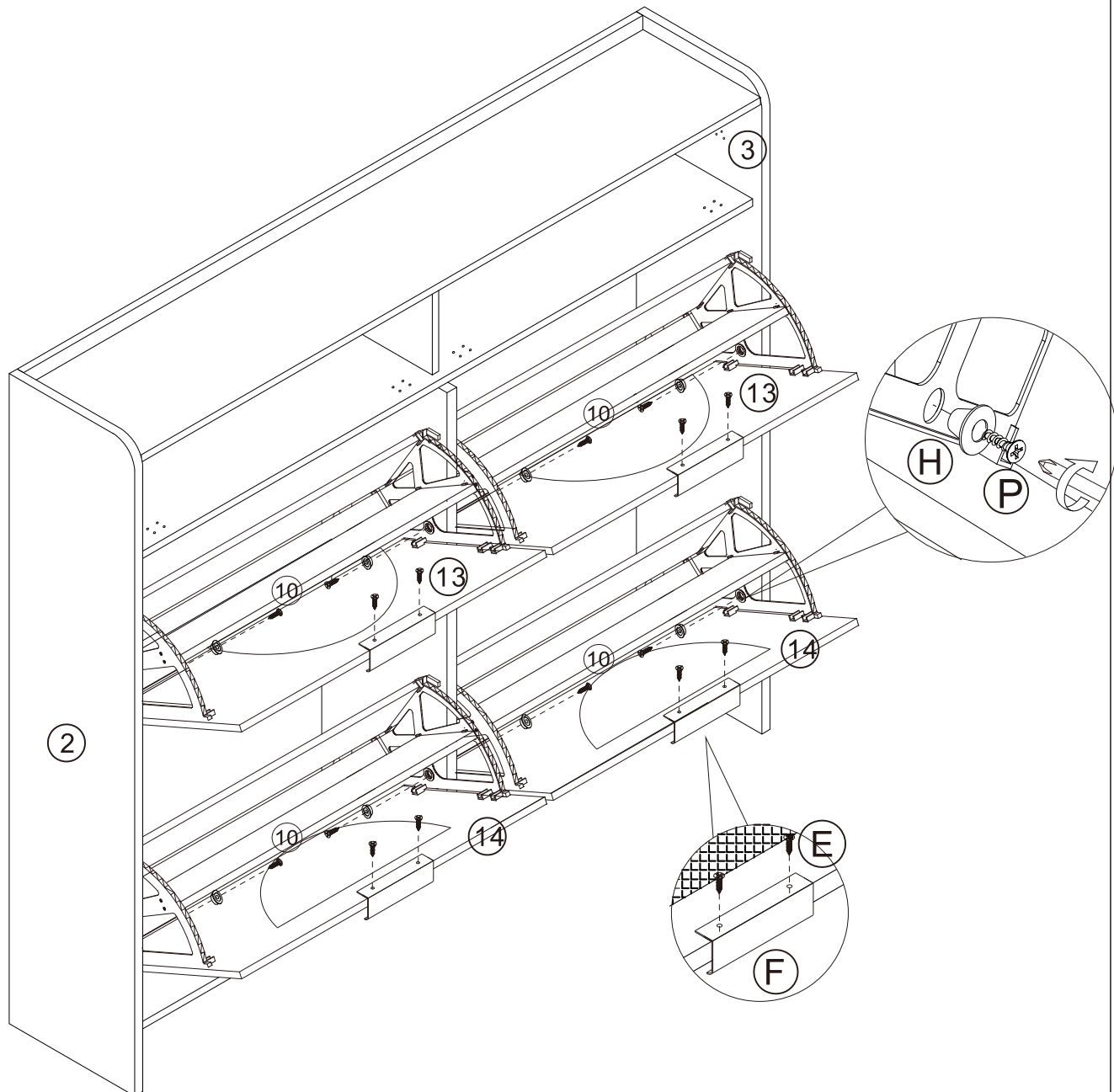
14



(1) Install 4 flip drawers to the cabinet with plug(H) and screw(P).

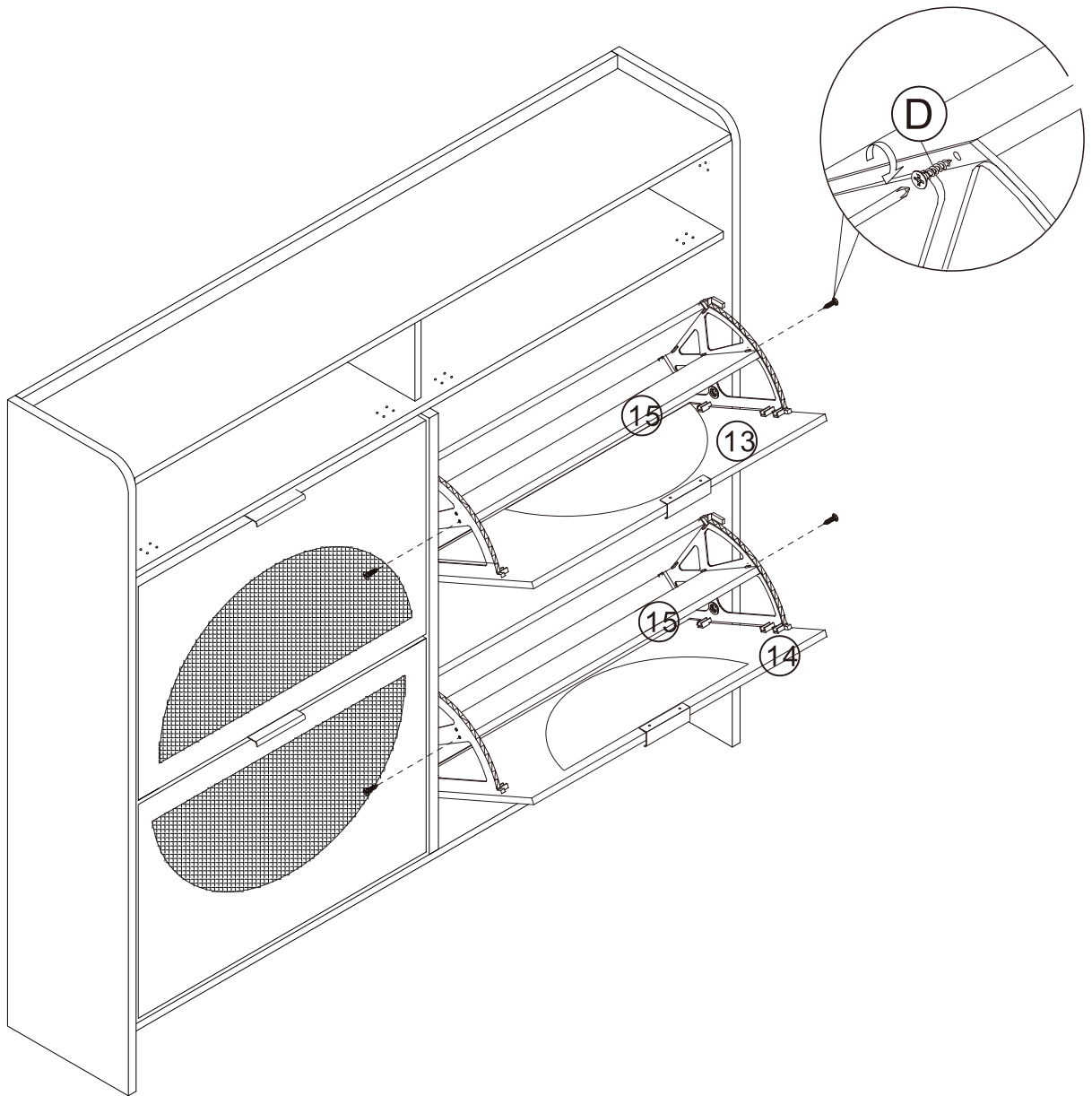
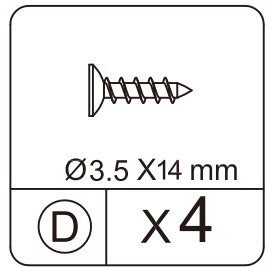
Attention: please don't install the upper door(13) and lower floor(14) in reverse.

(2) Install handle(F) with screw(E).

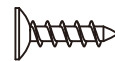


15

(1) Insert panel(15) and and secure with screw(D).



16

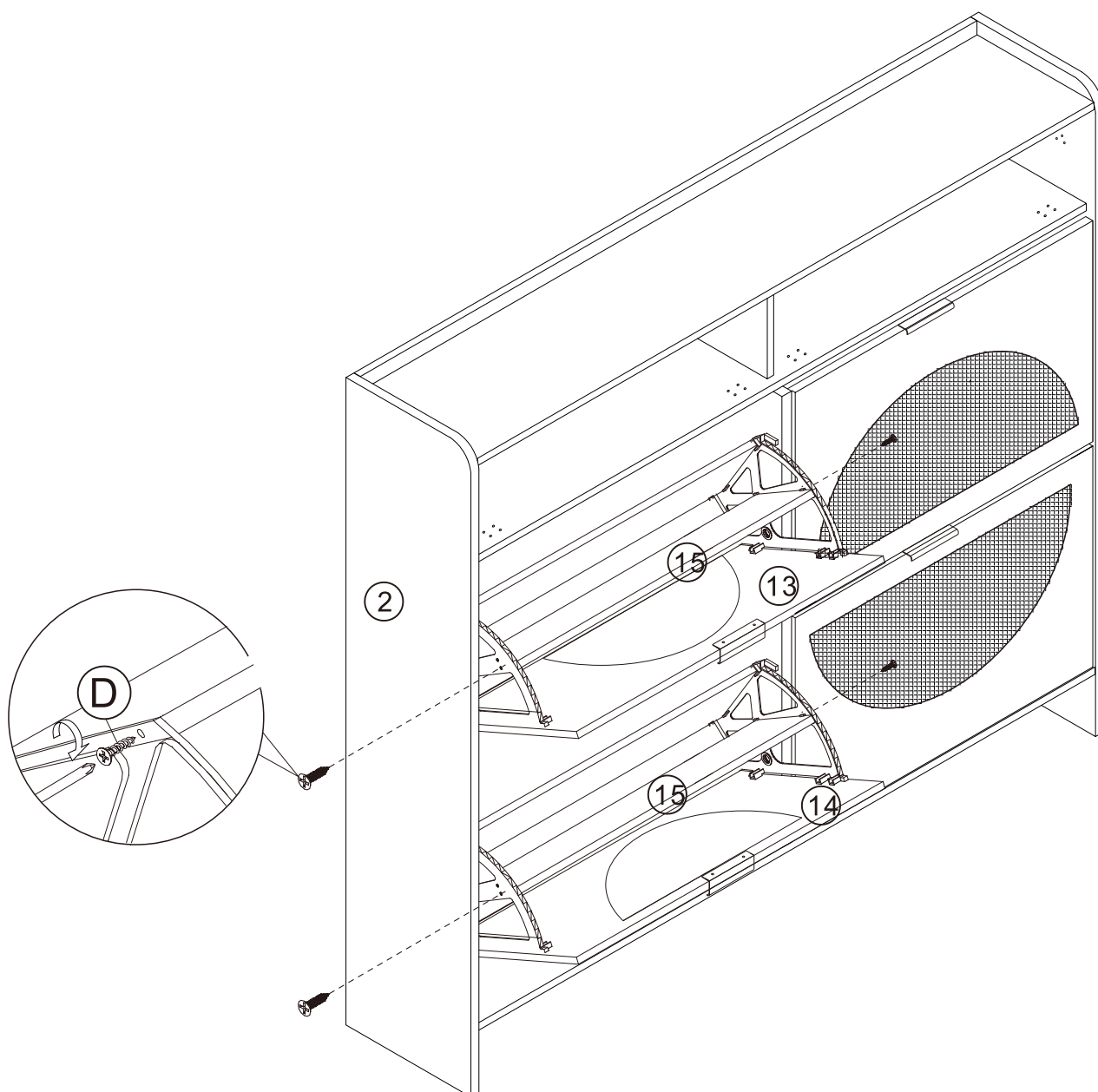


Ø3.5 X14 mm

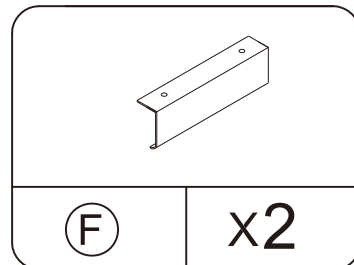
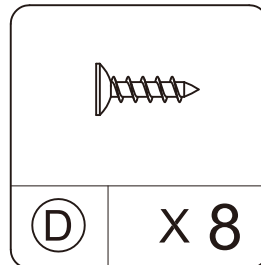
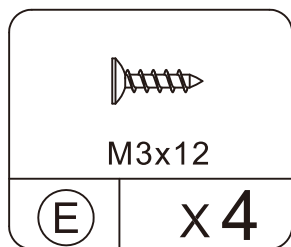
(D)

x4

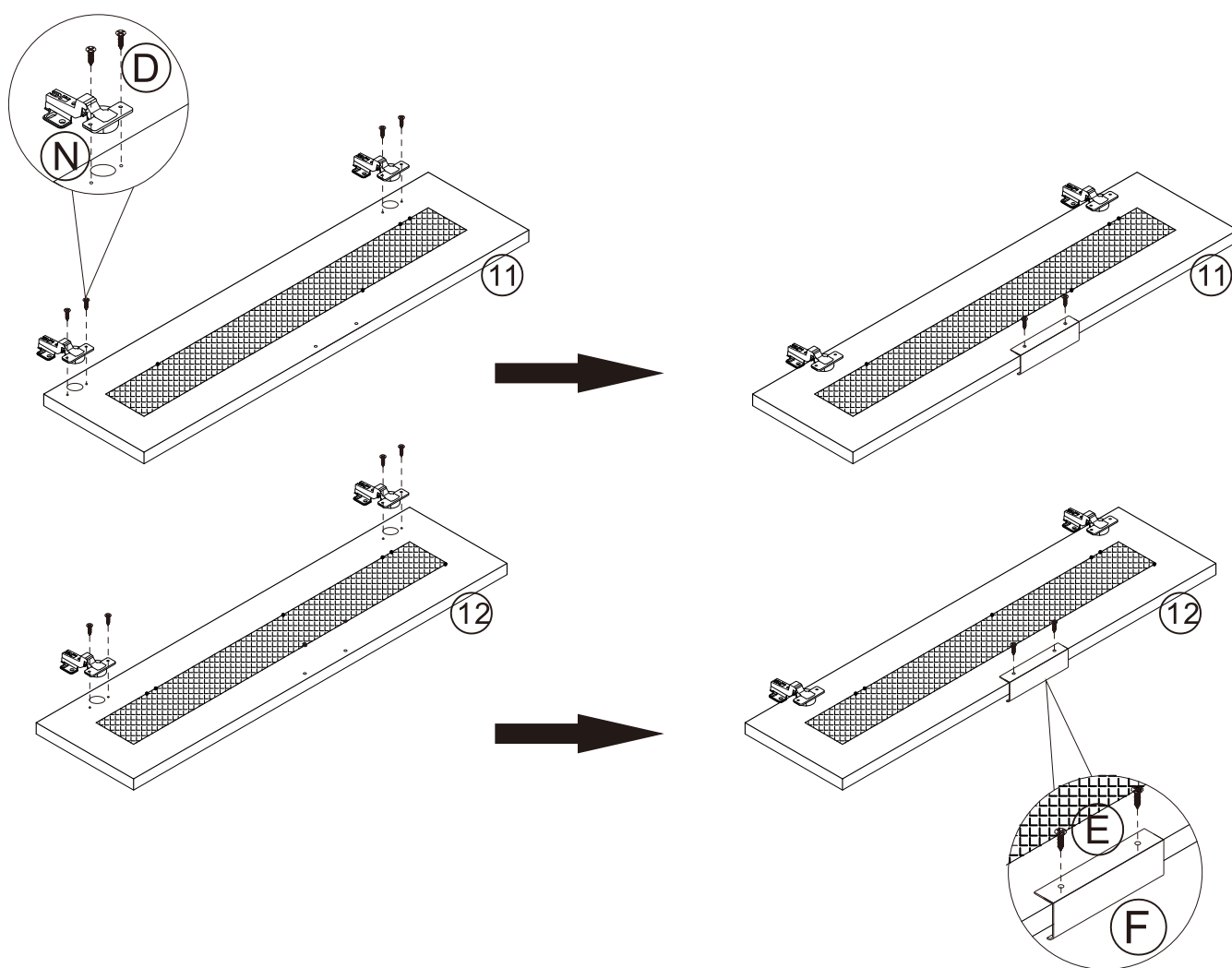
(1) Insert panel(15) and and secure with screw(D).



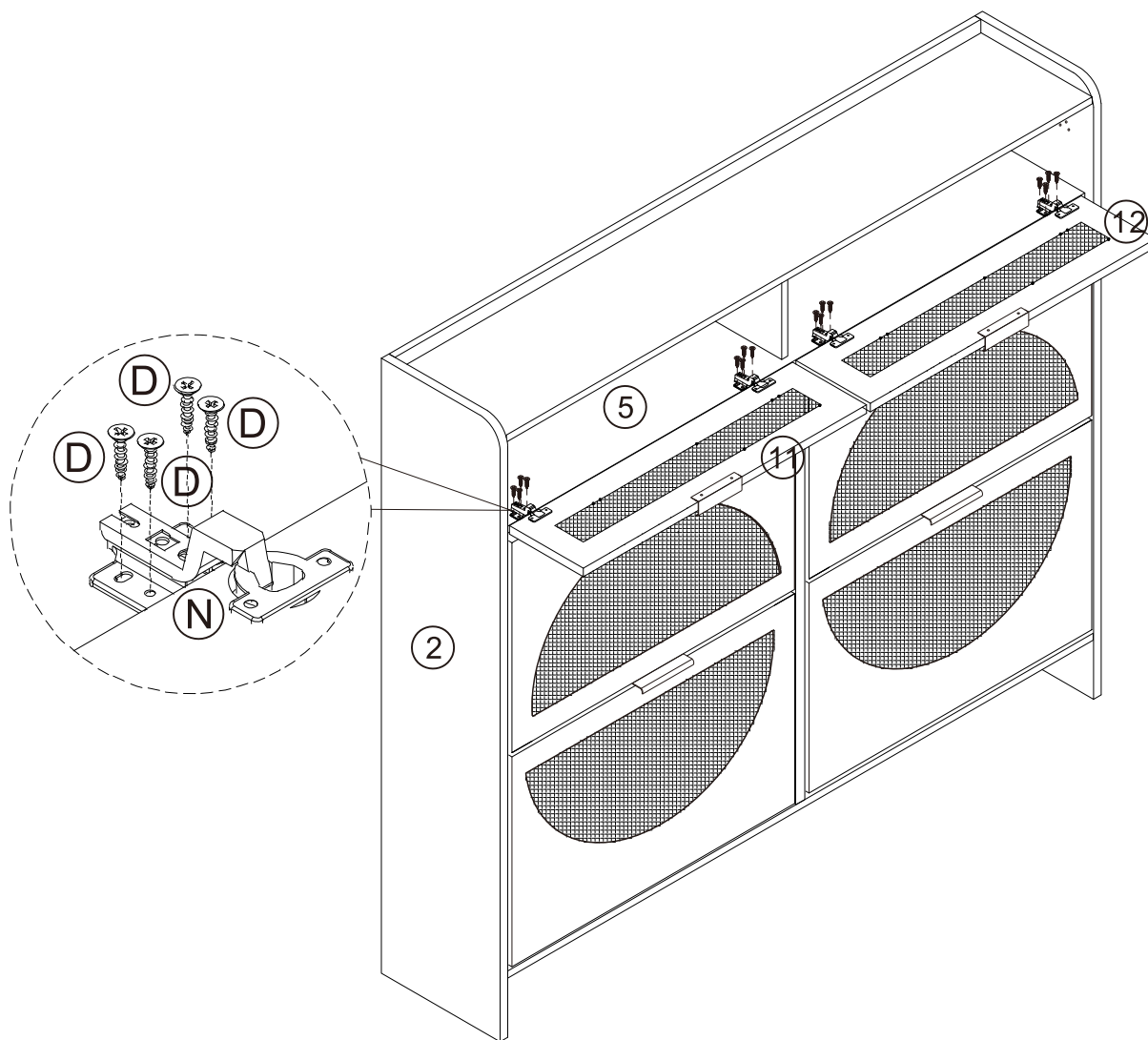
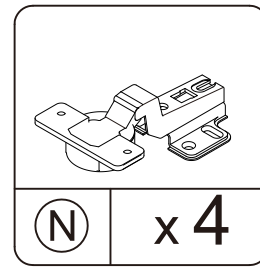
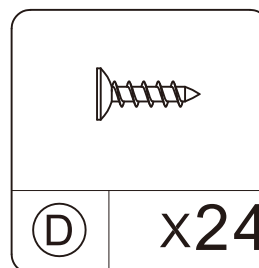
17



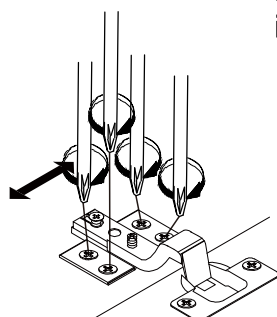
- (1) Screw hinge(N) to panel(11)and(12) with screw(D).
- (2) Install handle(F) to panel(11)and(12) with screw(E).



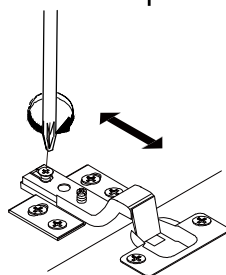
18



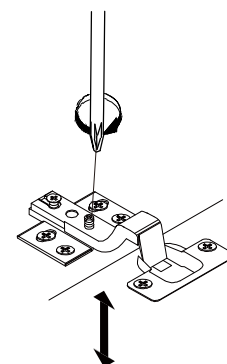
If you find that there is a large gap between or beside the door, above or below the door, it's not the product problem, please adjust the hinge according to the diagram as below or the instructions in the previous step



Door left and right adjustment by loosening the screws on the mounting plate.

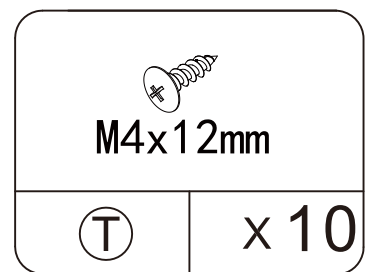
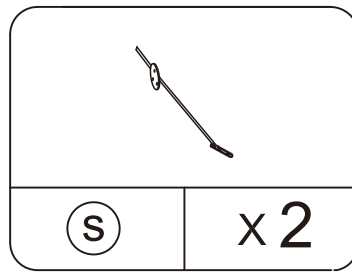


Door in and out adjustment by loosening the screws on the hinge arm.



Door up and down adjustment using the front adjustment screw on the hinge.

19



(1) Place the crank (S) against the panel (11) (12) and lock it with screws (T).
Place the other end against the panel (2) (3) and lock it with screws (T)

