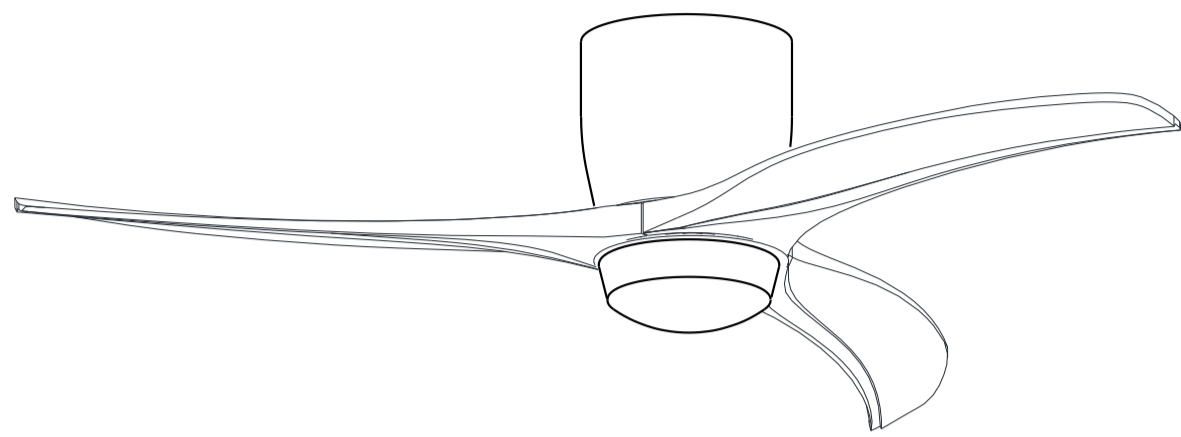
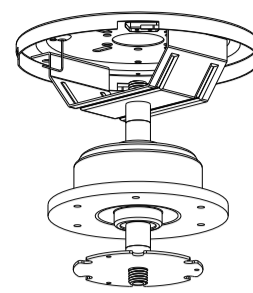


Pre-Installation

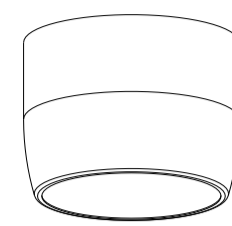


52-INCH DEROCATE CEILING FAN USE AND CARE GUIDE

Light kit fitter assembly



Fan-Motor assembly & Hanging-board ×1PCS



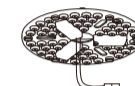
Motor cover ×1PCS



Blade X 3PCS



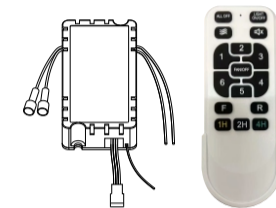
Light kit fitter assembly ×1PCS



LED ×1PCS



lamp shade ×1PCS



Controller & Remote Control ×1PCS

Parts Kit



AA
Mounting screws
×4



BB
Expansion bolts
×2



CC
Plastic wire nut
(not to scale)
×3



DD
Blade attachment screw
×7



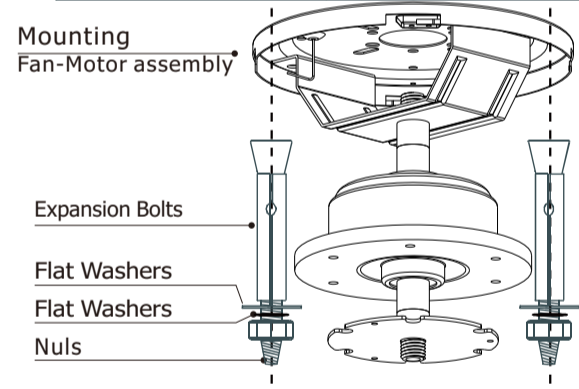
EE
Iron Washers
×7

NOTE

Hardware not shown to actual size.

Installation of the hanging bracket

CONCRETE CEILING



For concrete ceiling, use the percussion bit with diameter 8mm to drill holes according to the length of expansion screws. Then use the attached expansion screws to fix the hanging bracket onto the ceiling (selection is made according to actual requirements of the customers).

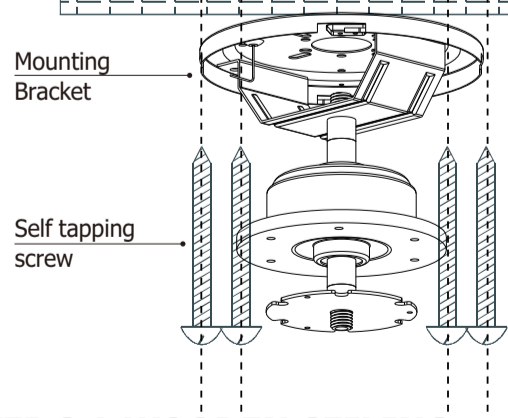
STEP 1 A-CONCRETE CEILING

SWITCH OFF THE ELECTRICAL MAINS AT THE CIRCUIT BREAKER FUSE BOX.

- 1) Use the Mounting Bracket as a guide, mark the spots where the 4 Expansion Bolts will be drilled.
- 2) Remove the Mounting Bracket, drill 2 holes and insert 2 Expansion Bolts into the concrete ceiling, install the mounting bracket and secure with Flat Washers, Spring Washers and Nuts.

IMPORTANT : SCREWS & NUTS MUST BE TIGHTENED TILL SNUG

WOODEN CEILING



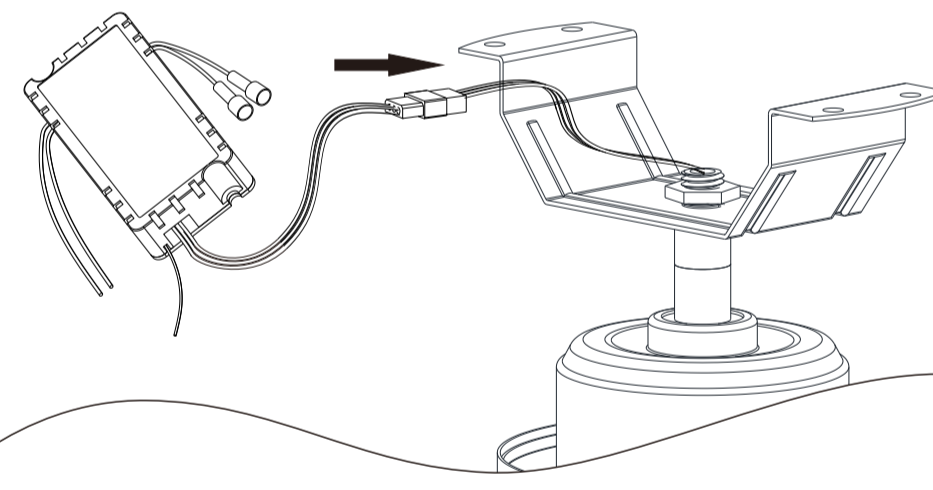
For wooden ceiling, use wood screw to drill on the wooden beam or the "junction box" to fix the hanging bracket (selection is made according to actual requirements of the customers)

STEP 2 A-WOODEN CEILING

SWITCH OFF THE ELECTRICAL MAINS AT THE CIRCUIT BREAKER FUSE BOX.

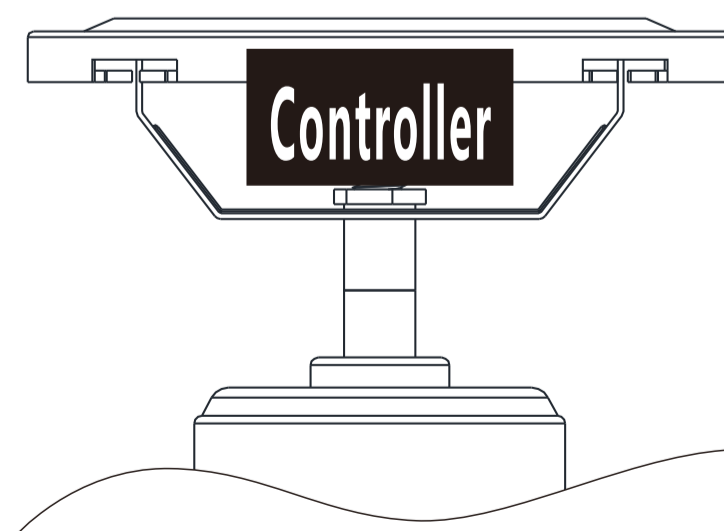
- 1) Use the Mounting Bracket as a guide, mark the spots where the 4 Self Tapping Screws will be drilled.
- 2) Remove the Mounting Bracket, drill 4 holes for 3MM diameter, install the mounting bracket onto wooden ceiling with the 4 Self Tapping Screws & Washers

Install remote control



1. Carefully push the canopy to the bottom of the mounting bracket, make two sliding holes aligned to the two prominent screws on the mounting bracket, and then turn clockwise until tight.
2. Push the canopy ring to the bottom of the canopy, slide the inner holes aligned to the two prominent screws on the mounting bracket again, and turn the canopy ring clockwise until tight.

Preparing for mounting

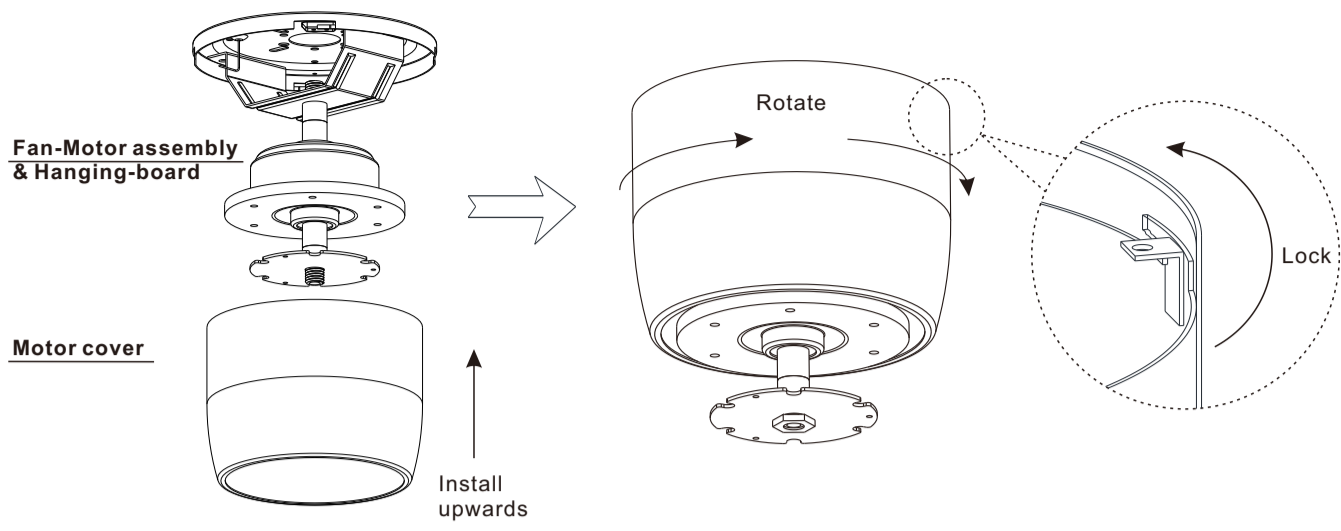


- 1: Remove the mounting bracket from the canopy by loosening the two canopy screws located in the L shaped slots.
- 2: Remove and save the two canopy screws in the round holes. This will enable you to remove the mounting bracket

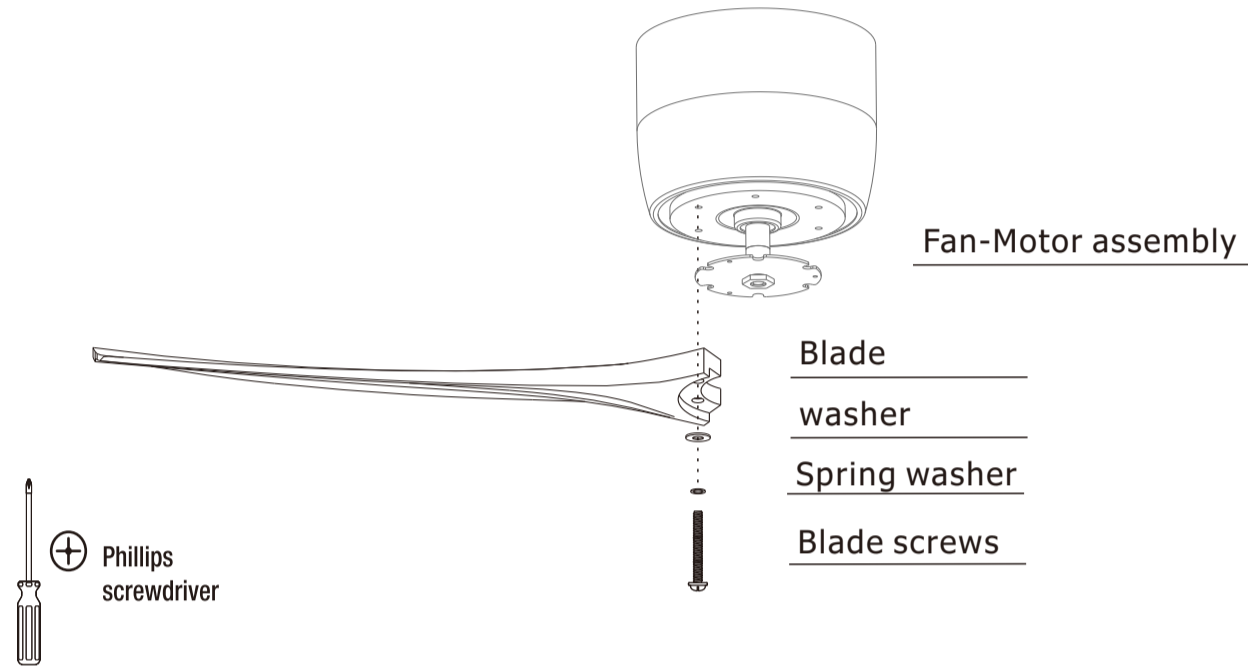
LIGHT MUST BE KEPT AT THE ON POSITION

FAN MUST BE KEPT AT THE HIGH SPEED

Fastening the blade arms to the motor

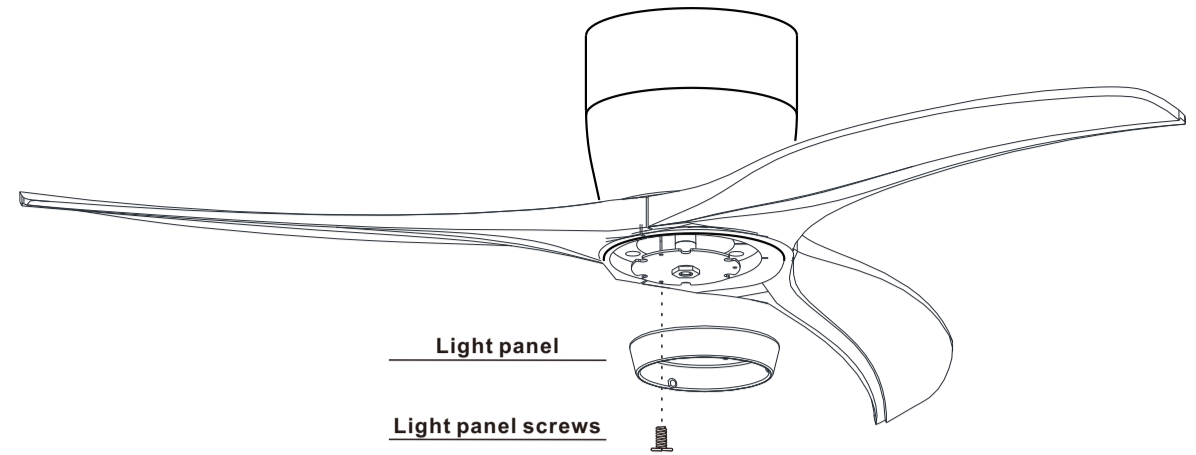


1. Lift the motor cover up to the ceiling plate
2. Make the L-shaped connector contact the notch recess and rotate it to the right
3. Secure the connectors and clips in place

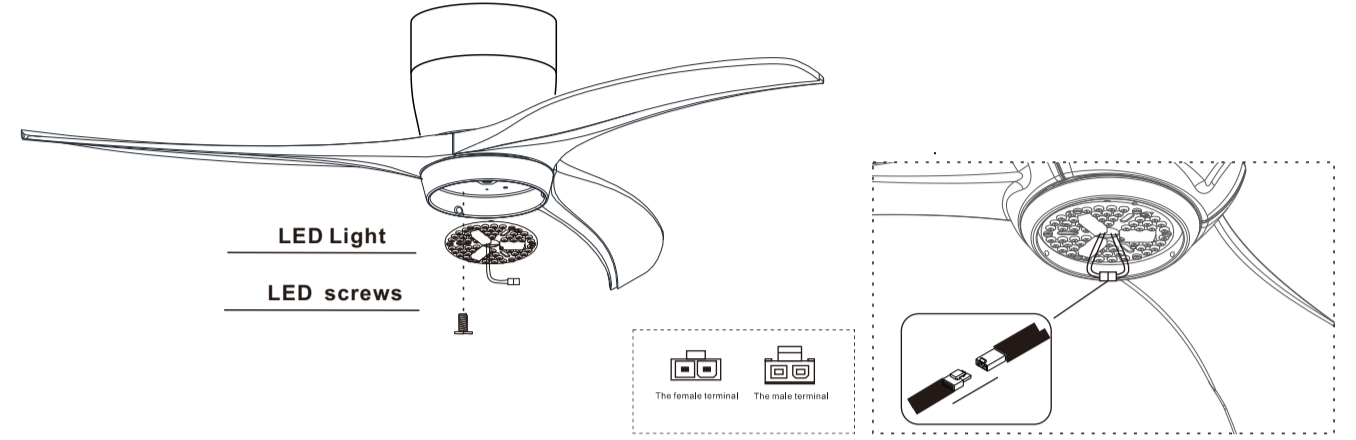


1. Remove the pre installed screws
 2. Install the fan blade on the corresponding screw hole, and then install and fix it with the removed screws.
 3. Fasten the arm to the fan-motor assembly by inserting the alignment post into the slot on the bottom of the motor and tightening the pre-installed armscrews.
- ☐ Repeat this step for the remaining blade assemblies.

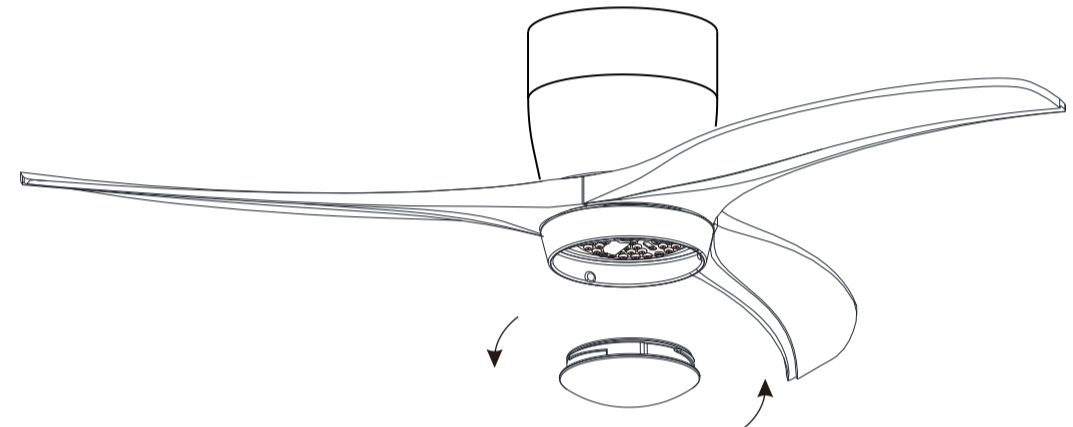
Fastening the blade arms to the motor



1. Remove the pre installed screws and install the lamp at the specified position



1. Put the LED light source into the disc (the LED light source has a magnet, which can be directly magnetized on the disc)
2. Pass the LED lead of the motor through the hole in the middle of the LED light source.
3. Then plug the male terminal of LED lead into the female terminal of LED light source (as shown in figure)



1. Screw the glass lampshade into the lamp in a counterclockwise direction. Make sure the glass lampshade is locked.

Making the electrical connections

WARNING: Each wire not supplied with this fan is designed to accept up to one 12-gauge house wire and two wires from the fan. If you have larger than 12-gauge house wiring or more than one house wire to connect to the fan wiring, consult an electrician for the proper size wire nuts to use.

IMPORTANT: Use the plastic wire connectors (BB) supplied with your fan. Secure the connectors with electrical tape and ensure there are no loose strands or connections.

WARNING: Remove the rubber motor stops on the bottom of fan before installing the blades or testing the motor.

WARNING: Each wire not supplied with this fan is designed to accept up to one 12-gauge house wire and two wires from the fan. If you have larger than 12-gauge house wiring or more than one house wire to connect to the fan wiring, consult an electrician for the proper size wire nuts to use.

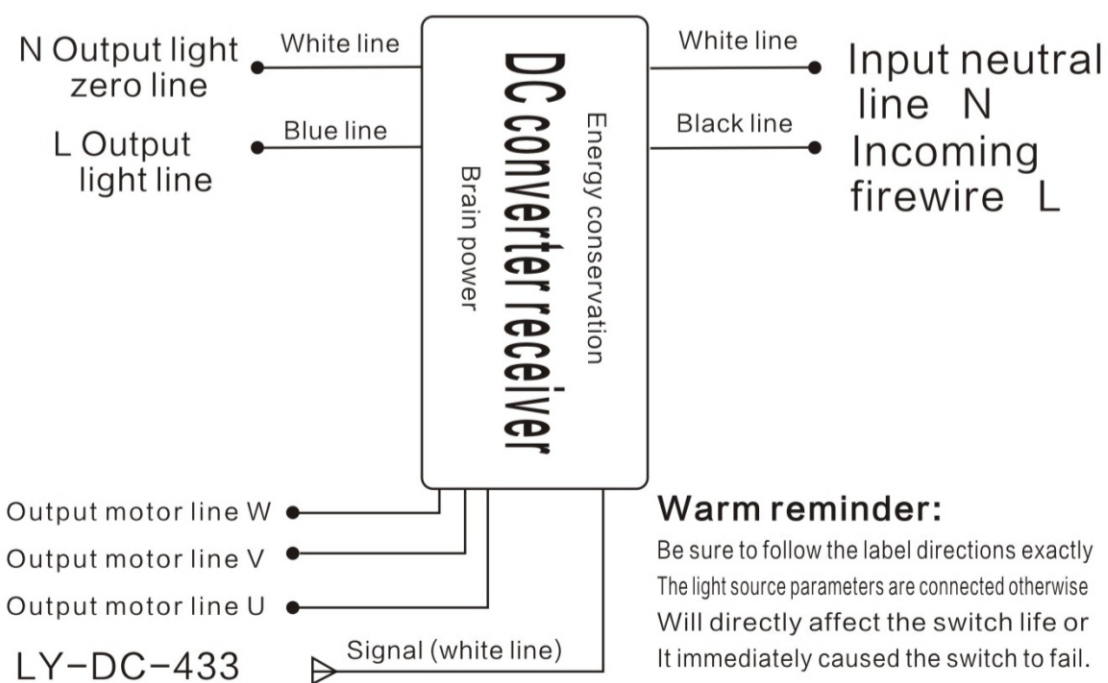
WARNING: Remove the rubber motor stops on the bottom of the fan before installing the blades or testing the motor.

IMPORTANT: Use the plastic wire connectors (BB) supplied with your fan. Secure the connectors with electrical tape and ensure there are no loose strands or connections.

DC inverter fan light instruction manual



DC frequency conversion receiver wiring diagram



Warm reminder:

Be sure to follow the label directions exactly. The light source parameters are connected otherwise. Will directly affect the switch life or it immediately caused the switch to fail.

Fan receiver parameter		Operating temperature	40° C (indoor)
Apparent dimension	115x50x25mm	Operating temperature	≥90%
Input voltage	85-265V	Output voltage	DC24 V
Input frequency	50/60Hz	Output power	Max. 200W light source

Attention!! No live operation during installation, wiring should be installed in accordance with national electrical standards

Use of remote control



- 1 LED indicator light
- 2 Master switch
- 3 Lights on/off
- 4 Wind speed adjustment gear
- 5 Fan shutdown
- 6 Fan timing
- 7 Natural wind
- 8 The phoenix fan is turning
- 9 Fan reversal
- 10 Sound off

AAA-1.5V-LR03 (2 batteries)

Warm reminder:

1. When the transmitter cannot remote control the receiver, please check whether the switch battery contact is normal, whether the positive and negative terminals are placed correctly, and the power level Adequacy (if the light goes dark; Please replace the batteries, both batteries must be the same brand)
2. When the transmitter cannot remote control the receiver, please check whether there is a remote control product with the same frequency in the nearby range, and view it whether the transmitter button is pressed, because the remote control product of the same frequency is transmitted at the same time will cause interference, affecting the reception error. Make the effect, eliminate the remote control function will return to normal.
3. When using this product, please do not put it in the place where children can play.
4. Code matching operation: Turn off the main power supply of the fan for 1 minute, then turn on the power switch, and press it simultaneously within 5 seconds after hearing a "drip" sound "1 hours" and "4 hours", the receiver makes a "drop" sound, and the code is successful. If the code alignment fails, close it. Wait one minute and repeat the preceding steps.
5. When the remote control cannot be effectively controlled; Please check the battery and remove the battery if it is not used for a long time