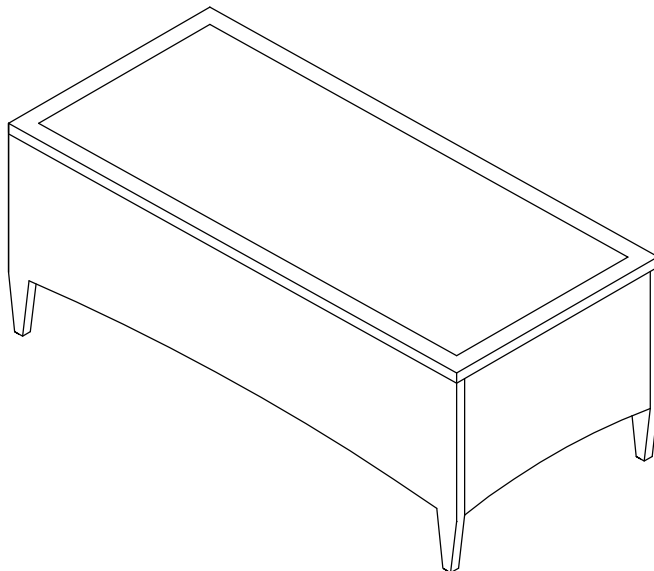
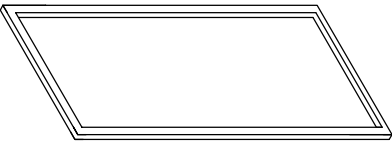
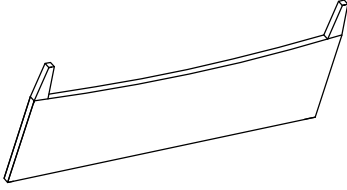
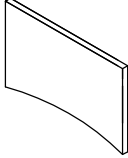
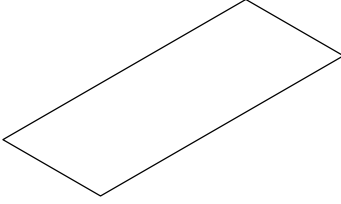


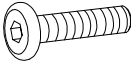


## Outdoor Wicker Glass Top Table



## PART LIST

 <p>Top Panel</p>		 <p>Side Panel</p>	
A	1PC	B	2PCS
 <p>End Panel</p>		 <p>Glass Top</p>	
C	2PCS	D	1PC

## HARDWARE LIST

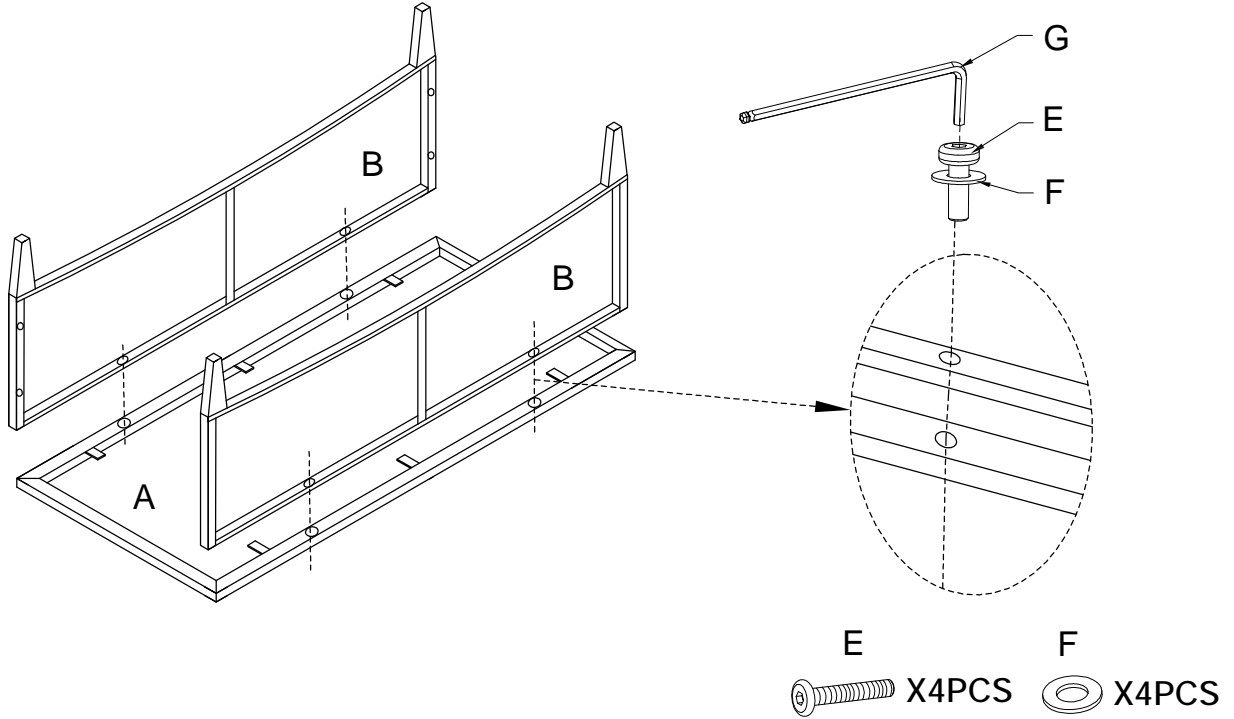
 <p>Bolt(M6*30mm)</p>		 <p>Washer(M6mm)</p>		 <p>Allen Key(M6mm)</p>	
E	12PCS	F	12PCS	G	1PC

### EXTRA HARDWARE LIST

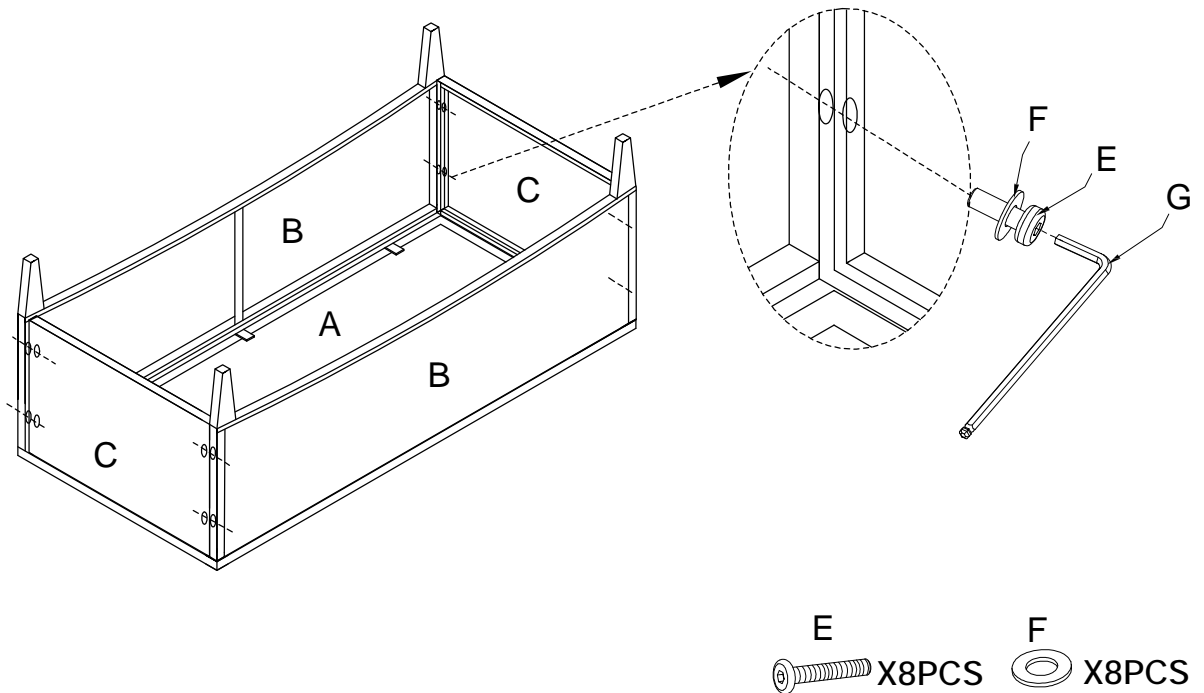
 <p>E X3PCS</p>	 <p>F X3PCS</p>
--	--

**Step 1.** Lay Top Panel (A) on a flat surface with underside facing up. Attach Side Panels(B) to Top (A), using Bolts(E), Washers(F) and Allen Key (G).

NOTE: Thread down but do not tighten bolts until unit is fully assembled.



**Step 2.** Attach End Panels (C) to Side Panels (B) using Bolts(E), Washers(F) and Allen Key(G).



**Step 3.** Turn the table upright and gently place the glass on the table top.

