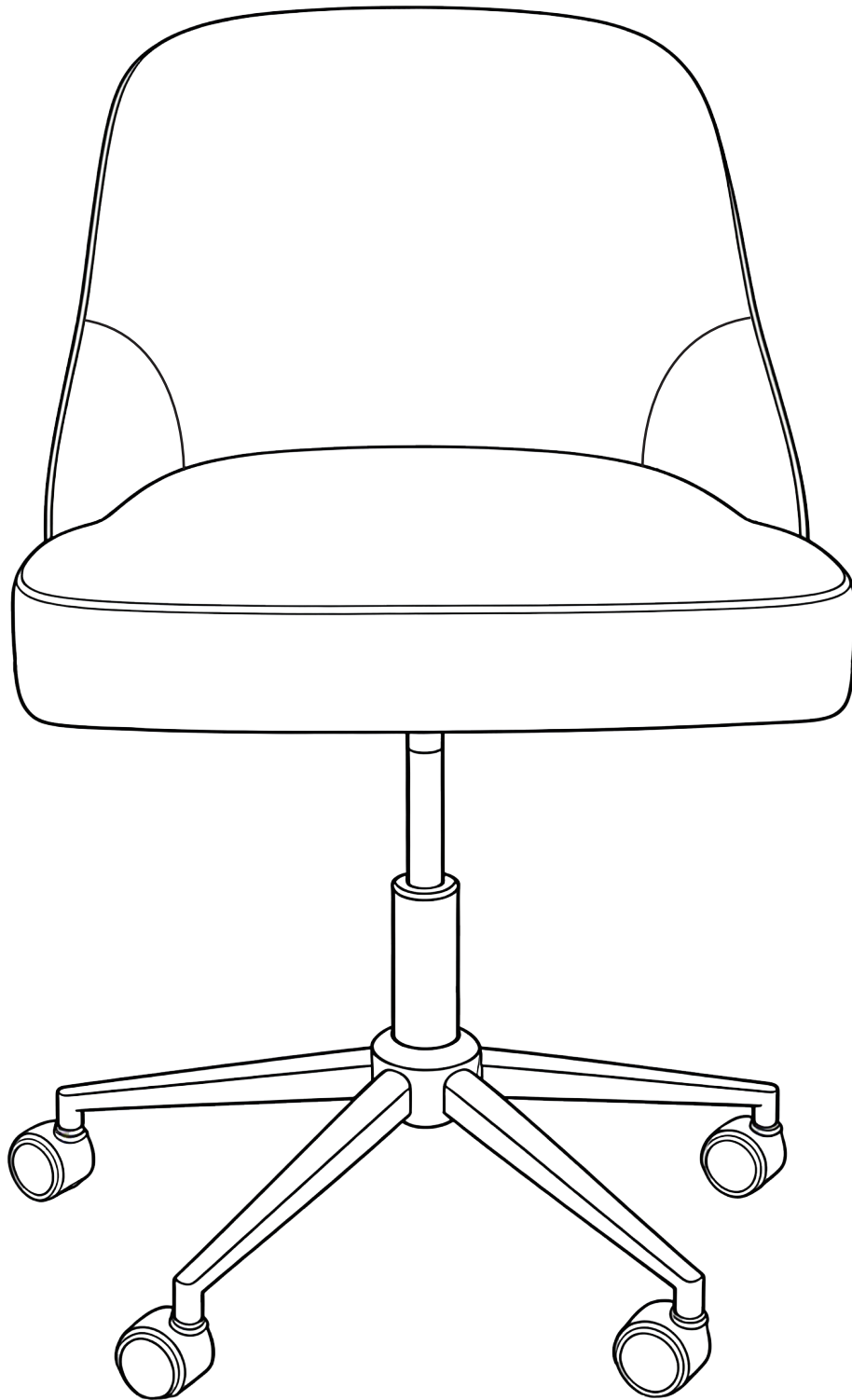


# Assembly Instruction

## Swivel Office Chair



# Thank you for choosing our product.

We are committed to delivering exceptional customer service to ensure your satisfaction.

## Parts Confirmation:

- Upon unpacking, verify that all parts listed in the manual are present.
- If any parts are missing or incorrect, please notify us immediately. We will promptly arrange replacements, or other solutions to ensure the issue is resolved.

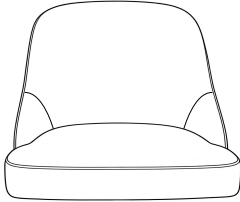

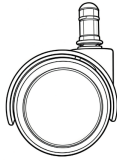
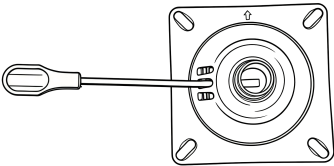
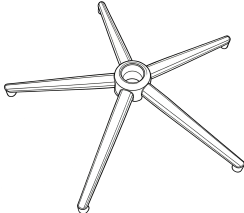
## Assembly Guidance:

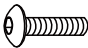

- Carefully review the instruction manual before assembly.
- The manual has detailed steps, but it might not cover all situations. If you need help or have questions, contact us and we'll respond quickly.

## Shipping Note

- If you purchased multiple packs, kindly note that the items in your order might come in separate packages. We appreciate your patience during delivery.

# Parts List

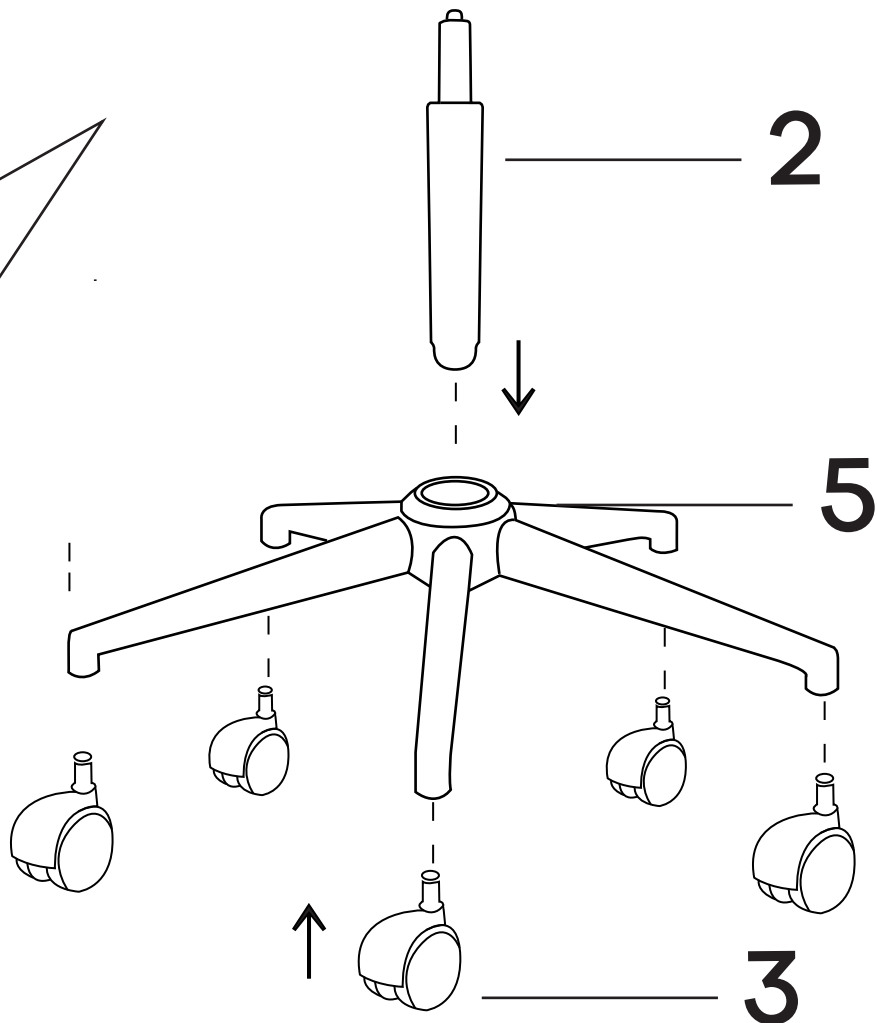
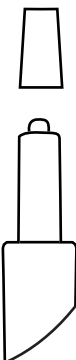
| Number | Name           | Part   | Qty  |
|--------|----------------|--|------|
| 1      | Seat           |    | X1PC |
| 2      | Gas lift       |     | X1PC |
| 3      | Caster         |   | X5PC |
| 4      | Tilt Mechanism |  | X1PC |
| 5      | Five star Base |  | X1PC |

| Number | Hardware | Part   | Qty      |
|--------|----------|--|----------|
| A      | M6x20mm  |  | X10+1EXT |
| B      | Wrench   |  | X1PC     |

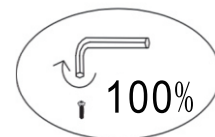
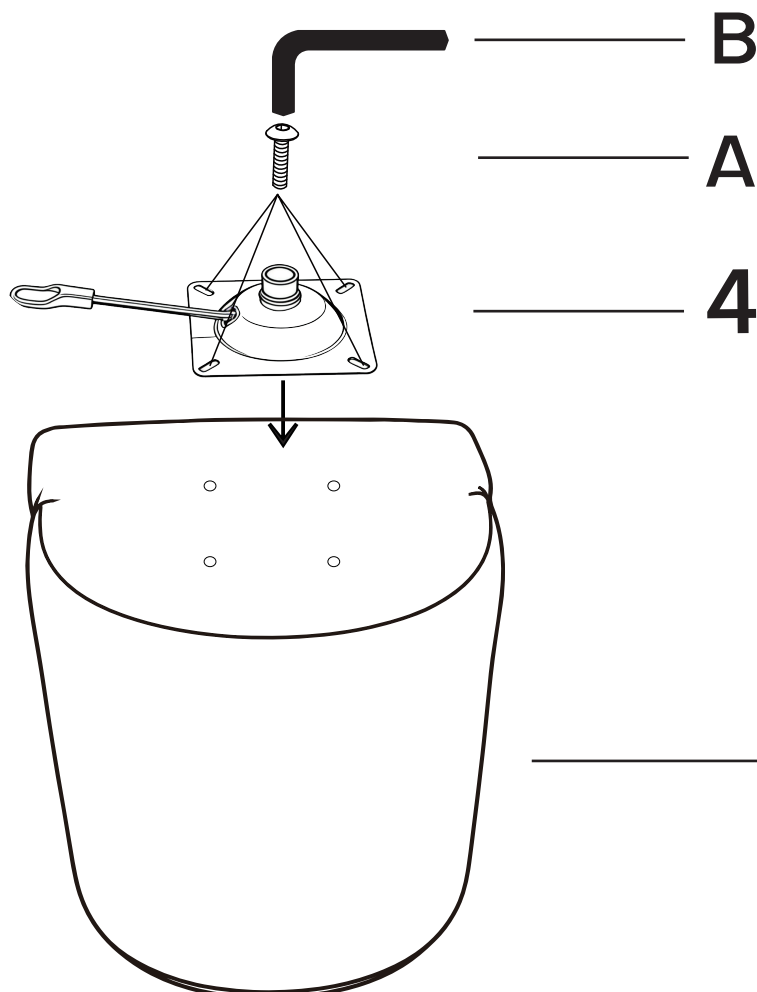
01

**Note:**

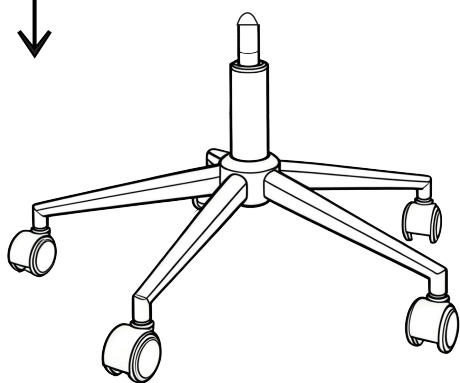
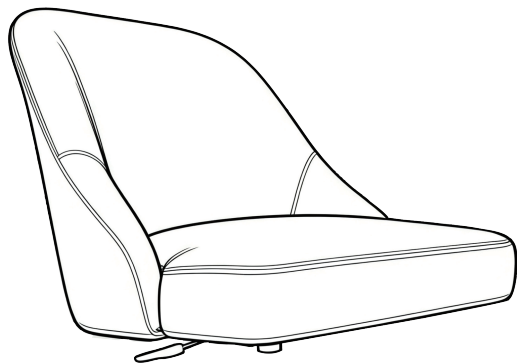
PLEASE REMOVE  
BLACK CAP FROM  
TOP GAS LIFT  
BEFORE  
ASSEMBLING



02






Fully tighten the four screws to a depth of 100%






Assembly complete



## Safety Guidelines

-  Periodically inspect and tighten bolts to prevent loosening during use.
-  Ensure all hardware remains securely fastened before using.
-  Do not allow children to climb or jump on the stool.

## Care Instructions

-  Avoid placing hot items, direct sunlight, or harsh chemicals on the furniture.
-  Wipe dust with a soft, clean, lint-free cloth.
-  Note: Indoor Use Only: Do not place the furniture outdoors or in damp environments.

**Thank you for your purchase**