






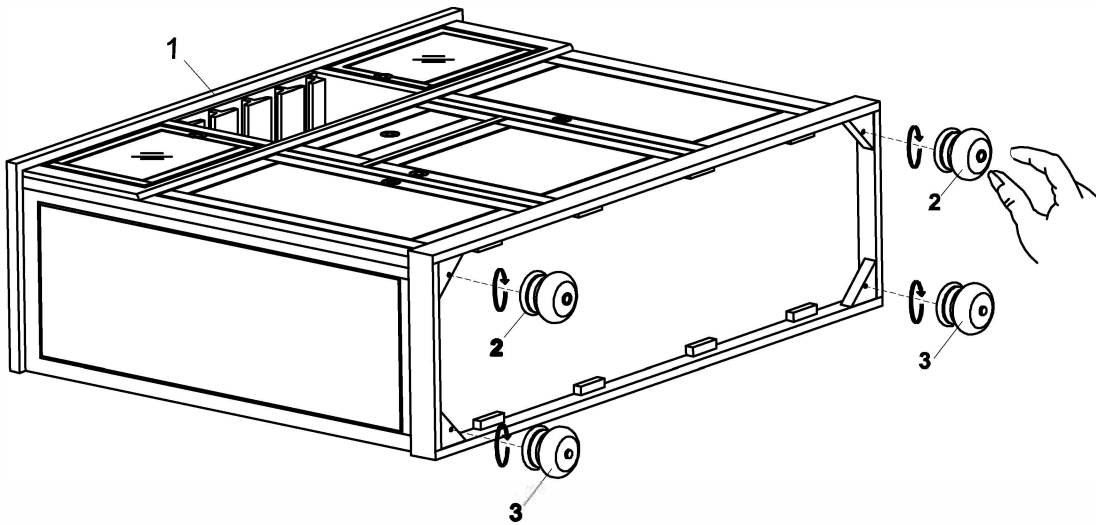


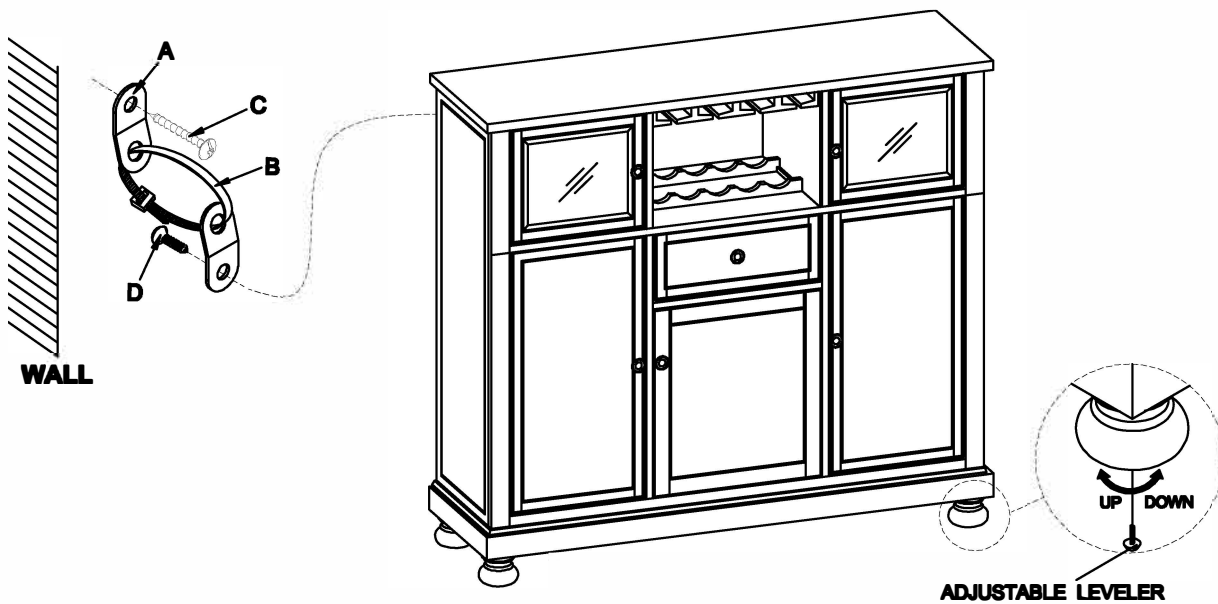
ASSEMBLY INSTRUCTION

PART LIST				ANTI-TIPPING HARDWARE PACK			
1	CURIO		1PC	A		BRACKET	2PCS
2	FRONT BUN FOOT		2PCS	B		TIE WRAP	1PC
3	REAR BUN FOOT		2PCS	C		LONG SCREW (#8 x 2")	1PC
				D		SHORT SCREW (#8 x 5/8")	1PC

STEP 1



STEP 2



For items use on wooden floor, hard surfaces or carpets, it is recommended to install protective pads under all legs and supports to avoid/prevent from damages/scratches and discoloration.