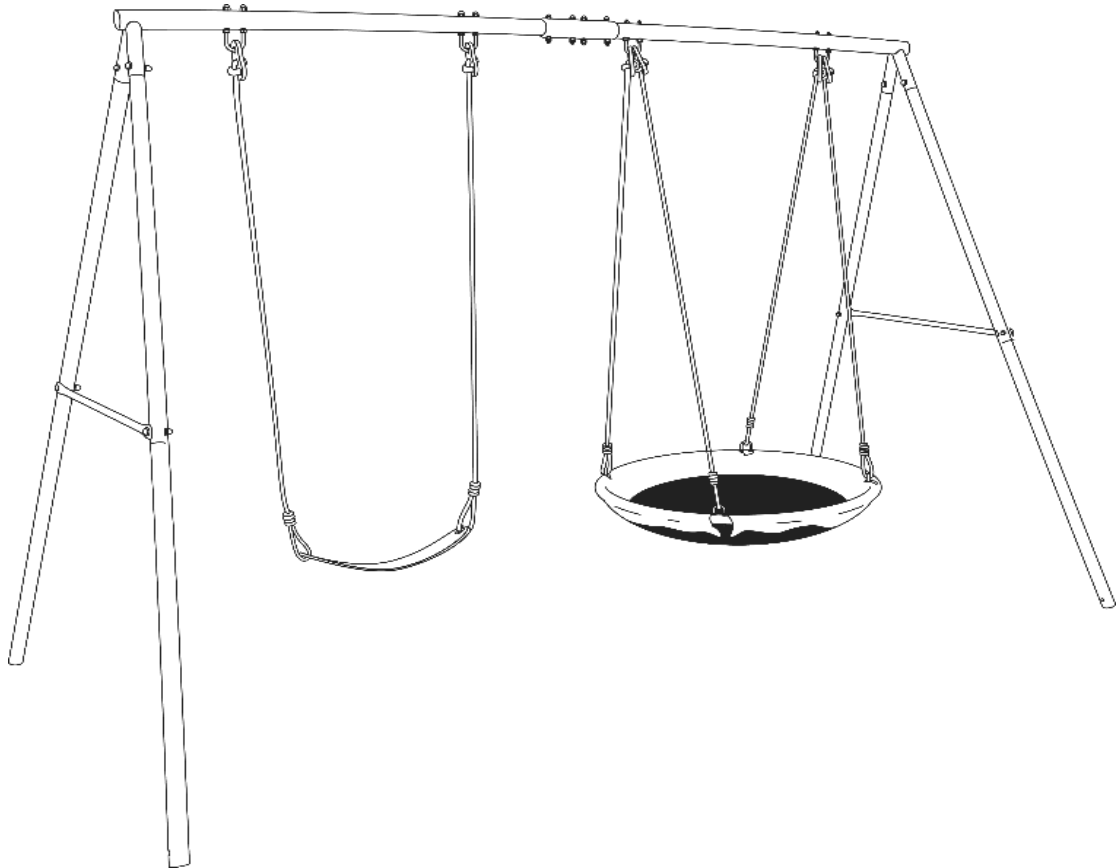


SPORTSPOWER™

ASSEMBLY INSTRUCTIONS AND USER'S MANUAL

My 1set Swing & Saucer Metal Swing Set

MODEL# MS-1036-32



FOR RESIDENTIAL USE ONLY

Save this instruction manual for future reference

For Customer Service, please call 1-866-370-2131 or visit www.sportspowerltd.net

Monday – Friday 9:00 AM – 5:00 PM Eastern Time

SPORTSPOWER LTD.

LEVEL 20, PARKVIEW CENTRE, 7 LAU LI STREET, CAUSEWAY BAY, HONG KONG

Dear Valued Customer,

Congratulations on your Sportspower play set purchase! Please read and completely understand the contents of this owner's manual. This manual contains specific instructions and warnings that must be followed to prevent injuries. This play set is for residential use only. This play set is NOT intended for public or commercial use. The warranty will be voided if the play set is used in a commercial application.

The product is designed for use by children between the ages of 3-8. Children must NOT play on this set until it is properly assembled and inspected by an adult. Adult supervision is required at all times while children are playing on the equipment. Do not allow children under three (3) years old to be near during the assembly of this product due to choking hazards of small parts.

The equipment must be installed on level ground. Uneven ground must be leveled prior to installation. Installation on sloping or uneven ground will put stress on the joints, causing the unit to become loose and unstable which may result in serious injuries. You must ensure there are no obstructions or structures (e.g. electrical wires, branches, house, fence, garage, etc) within six (6) feet from the equipment.

The Consumer Product Safety Commission's Outdoor Home Playground Safety Handbook recommends to install and maintain the playground equipment over at least 9 inches of wood chips, mulch or shredded rubber (for equipment up to 8 feet high) or sand or pea gravel (for equipment no more than 5 feet high) as shock absorbing material. Dirt and grass, which are the most prevalent surfaces under home playground equipment, do not adequately protect children from serious head injuries. Install protective surfacing at least six feet in all directions from play equipment. For swings, the surface should extend, in back and front, twice the height of the suspending bar. Do not install your play set over hard surface, e.g. asphalt, concrete, packed earth, tile or brick floor. Please refer to extracts from the CONSUMER PRODUCT SAFETY COMMISSION'S OUTDOOR HOME PLAYGROUND SAFETY HANDBOOK contained in this manual for further details. Do not allow children to use the product during windy or wet weather conditions. You should consult a local contractor about ways to anchor the product in your location.

The equipment must be checked before each use and maintained regularly. This includes, but is not limited to inspecting the play set for cracks, excess wear, missing parts, loose connections and for overall integrity. When the equipment shows any signs of weakness or damage, you must stop using the play set immediately, properly store the set or restrict access by users until the condition is resolved.

Your product is warranted against defects in material and workmanship. Extended warranty is also offered to those customers registering their products at www.sportspowerltd.net within 14 days from the date of purchase. Please refer to our warranty policy at the back of this manual for details.

If you experience any problems with your product, do not return to the store. For customer service, please call 1-866-370-2131 Monday-Friday 9:00am-5:00pm Eastern Time. If you are unable to reach us at this number for any reason, please visit www.sportspowerltd.net.

TABLE OF CONTENTS

IMPORTANT WARNINGS AND INSTRUCTIONS..... 4

IMPORTANT CONSUMER INFORMATION SHEET..... 6

OPERATING INSTRUCTIONS..... 7

ANCHORING..... 8

CARE AND MAINTENANCE CHECKLIST..... 10

PARTS LIST..... 11

HARDWARE PARTS LIST..... 12

ASSEMBLY AND INSTALLATION INSTRUCTIONS..... 13

 AREA OF INSTALLATION – TOP BAR 13

 AREA OF INSTALLATION – SIDE LEGS **14**

 AREA OF INSTALLATION – SWING SEATS 16

 AREA OF INSTALLATION – FLYING SAUCER..... 17

 AREA OF INSTALLATION – SEAT ADJUSTMENT..... 20

MANUFACTURER'S LIMITED WARRANTY 21

IMPORTANT WARNINGS AND INSTRUCTIONS

WARNING

READ ALL INSTRUCTIONS BEFORE ASSEMBLING OR USING THIS EQUIPMENT

AGE LIMIT

- This product is designed to be used by maximum three (3) children between the ages of 3 to 8. Maximum user weight is 99 lb (45kg) each with a combined maximum weight of 297 lb (135kg).
- Do not allow children under three (3) years old nearby during assembly due to choking hazard from small parts.
- On-site adult supervision is required at all times for children of all ages.
- Do not allow use by children with any physical condition that may affect his/her ability to use this equipment safely.

BEFORE YOU BEGIN

- Carefully read all instructions in this manual before assembling and using this product.
- This unit must be assembled by adults. Heavy duty working gloves must be worn to avoid injuries during assembly.
- Children must not use the equipment until it is properly assembled and anchored.
- Adult supervision is required during the use of this equipment at all times.
- Unpack all parts. Take a complete inventory of all parts and hardware using the parts and hardware lists in the following pages. If any parts are missing, do not return to the store. Please call customer service toll-free number listed on the cover page for assistance. Store the product back in the original box and do not begin to install until all parts are obtained.
- Never add extra length to chain or rope. The chains or ropes provided are the maximum length designed for the swinging element(s).

LOCATION OF PLAY SET

- The equipment must be placed more than six (6) feet (1.8 meters) from any structures or obstructions, including but not limited to buildings, fence, garage, trees, laundry lines, electrical wires. Children can be seriously injured running or swinging into obstacles.
- The play set must be installed on level ground. Uneven ground must be leveled prior to installation. Installation on sloping or uneven ground will put stress on the joints, causing the unit to become loose and unstable which may result in serious injuries.
- Remove any tripping hazards from the safe play area, such as roots, tree stumps, rocks, landscaping, sprinkler heads, railroad ties, plumbing and electrical connections.

Do not install your play set over hard surface, e.g. asphalt, concrete, packed earth, tile or brick floor. A fall onto a hard surface can result in serious injury or death to the user. The following is a list of recommended ground covers from the Consumer Product Safety Commission:

<u>SUGGESTED MATERIAL</u>	<u>UNCOMPRESSED DEPTH</u>
Double Shredded Bark Mulch	9"
Uniform Wood Chips	12"
Fine Gravel	12"
Fine Sand	12"

IMPORTANT WARNINGS AND INSTRUCTIONS

INSPECTION PRIOR TO EACH USE OR DAILY INSPECTION

- DO NOT use the equipment if any bolts or nuts are missing or loose. ALWAYS check to ensure the equipment and all parts are well secured and stable before each use.
- ALWAYS clear the play area of any rocks, sharp objects, or any materials that could be potentially hazardous to users.
- DO NOT attach items to the equipment that are not specifically designed for use with the equipment, including, but not limited to, jump ropes, clothesline, pet leashes, cables and chains as they may cause choke hazards.
- The steel and plastic parts used in your product are subject to normal wear. Gradual deterioration of the material will occur, the speed of which will depend on the level of exposure to UV rays, airborne pollution, outdoor weather conditions such as rain and wind and the amount of use. You must inspect the equipment prior to every use. This includes, but is not limited to inspecting the set for cracks, excess wear, missing parts, loose connections, and for overall integrity. When the set shows any signs of weakness, you must stop using the play set immediately, properly store the set or restrict access by users until the condition is resolved.
- Verify that the suspended climbing ropes, chain or cable are secured at both ends and tightened, so that there is no loose ropes, chain or cable hanging that can result in choking hazard.

When conducting inspections, it is recommended that you use the Suggested General Maintenance Checklist and Routine Inspection and Maintenance Issues checklists provided by the US Consumer Product Safety Commission, a copy of which is contained in this user manual.

CARE & MAINTENANCE INSTRUCTIONS

- Inspect all nuts and bolts twice monthly during the usage season for tightness and tighten as required. It is particularly important that this procedure is followed at the beginning of each season.
- Oil all metallic moving parts monthly during the usage period.
- Sand rusted areas on metal tubing and repaint using a nonlead-based paint meeting the requirements of Title 16 CFR Part 1303.
- Check swing seats, ropes, cables and chains monthly during usage season for deterioration. Replacements should be made in accordance with the manufacturer's instructions.
- Check all coverings for bolts and sharp edges twice monthly during usage season to be certain that they are in place and replace when necessary. It is especially important to do this at the beginning of each new season.
- Do not use when the temperature drops below 32 degrees F (0 degrees C); remove and store the plastic swing seats and slides indoors.

IMPORTANT CONSUMER INFORMATION SHEET

The Consumer Product Safety Commission estimates there are about 200,000 playground related injuries involving children each year. Injuries involving this hazard pattern tend to be among the most serious of all playground injuries and have the potential to be fatal, particularly when the injury is to the head. The surface under and around playground equipment can be a major factor in determining the injury-causing potential of a fall. It is self evident that a fall onto a shock absorbing surface is less likely to cause a serious injury than a fall onto a hard surface. Playground equipment should never be placed on hard surfaces such as concrete or asphalt and while grass may appear to be acceptable it may quickly turn to hard packed earth in areas of high traffic. Shredded bark, mulch, wood chips, fine sand or fine gravel are considered to be acceptable shock absorbing surface when installed and maintained at a sufficient depth under and around playground equipment.

Table below lists the maximum height from which a child would not be expected to sustain a life-threatening head injury in a fall onto four different loose-fill surfacing materials if they are installed and maintained at depths of 6" (15.25CM), 9" (22.9CM), and 12" (30.5CM).

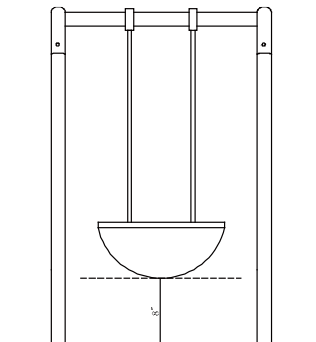
FALL HEIGHT IN FEET FROM WHICH A LIFE THREAENING HEAD INJURY WOULD NOT BE EXPECTED			
TYPE OF MATERIAL	6" (15.25CM) DEPTH	9" (22.9CM) DEPTH	12" (30.5CM) DEPTH
DOUBLE SHREDDED BARK MULCH	6" (15.25CM)	10" (25.4CM)	11" (27.94CM)
WOOD CHIPS	6" (15.25CM)	7" (17.8CM)	12" (30.5CM)
FINE SAND	5" (12.7CM)	5" (12.7CM)	9" (22.86CM)
FINE GRAVEL	6" (15.25CM)	7" (17.8CM)	10" (25.4CM)

However, it should be recognized that all injuries due to falls cannot be prevented no matter what surfacing material is used.

We recommend that a shock absorbing material should extend a minimum of 6ft in all directions from the perimeter of stationary equipment such as climbers and slides. However, because children may deliberately jump from a moving swing, the shock absorbing material should extend in the front and rear of a swing a minimum distance of 2 times the height of the pivot point measured from a point directly beneath the pivot on the supporting structure.

This information is intended to assist in comparing the relative shock-absorbing properties of various materials. No particular material is recommended over another. However, each material is only effective when Properly maintained. Materials should be checked periodically and replenished to maintain correct depth as determined necessary for your equipment. The choice of a material depends on the type and height of the playground equipment, the availability of the material in your area and its cost.

Note: The maximum fall height for this product is 6 feet. The minimum ground Clearance between the bottom of the suspended plays and the playing or ground service must be 8 inches.



This information has been extracted from the CPSC publication on "Playground Safety". You can obtain more information by sending a postcard to the: Office of public Affairs, U.S. Consumer Product Safety Commission, Washington, D.C.20207

OPERATING INSTRUCTIONS

- Observing the following statements and warnings reduces the likelihood of serious or fatal injury.
- Warning the owner to instruct children not to walk close to, in front of, behind, or between moving items.
- Warning the owner to instruct children not to twist swing chains or ropes or loop them over the top support bar since this may reduce the strength of the chain or rope.
- Warning the owner to instruct children to avoid swinging empty seats.
- Warning the owner to instruct children not to use the equipment in a manner other than intended.
- Warning the owner to instruct children not to get off equipment while it is in motion.
- Warning the owner not to allow children to wear inappropriate items, such as but not limited to, loose fitting clothing, hood and neck drawstrings, scarves, cord-connected items, capes and ponchos. These items can cause death by strangulation.
- Warning the owner to instruct children not to climb when the equipment is wet.
- Warning the owner to instruct children to remove their bike or other sports helmet before playing on the playground equipment.
- Warning the owner to dress children with well fitting and full foot enclosing footwear. Examples of inappropriate footwear are clogs, flip flops, and sandals.

There are different ways of anchoring the equipment, depending on the type of ground on which the equipment is to be installed. Make sure that all anchors are below ground level to prevent tripping.

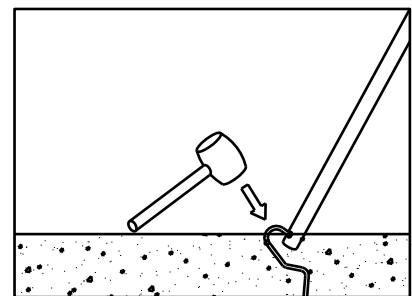
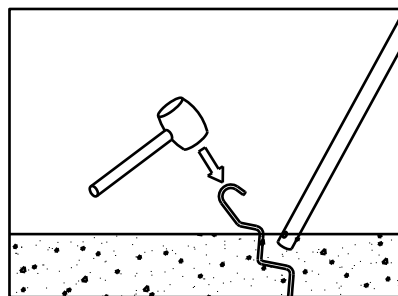
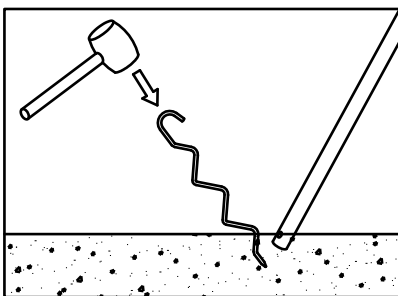
You should consult your local contractor to decide the most appropriate way to anchor the equipment in your location. If anchors are not available for purchase locally, you please visit www.sportspowerltd.net for our Customer Service numbers.

The following anchoring options may be considered:

Anchor kit (Included)

- For most hard soils, please use the included anchor kit
- Be sure that the swing set is located on level ground.
- Twist the corkscrew anchor into the ground until only the end with the hook is above the ground and next to the leg.
- Insert the hook into the bottom opening of the leg. Ensure that the hook is secured onto the leg opening.

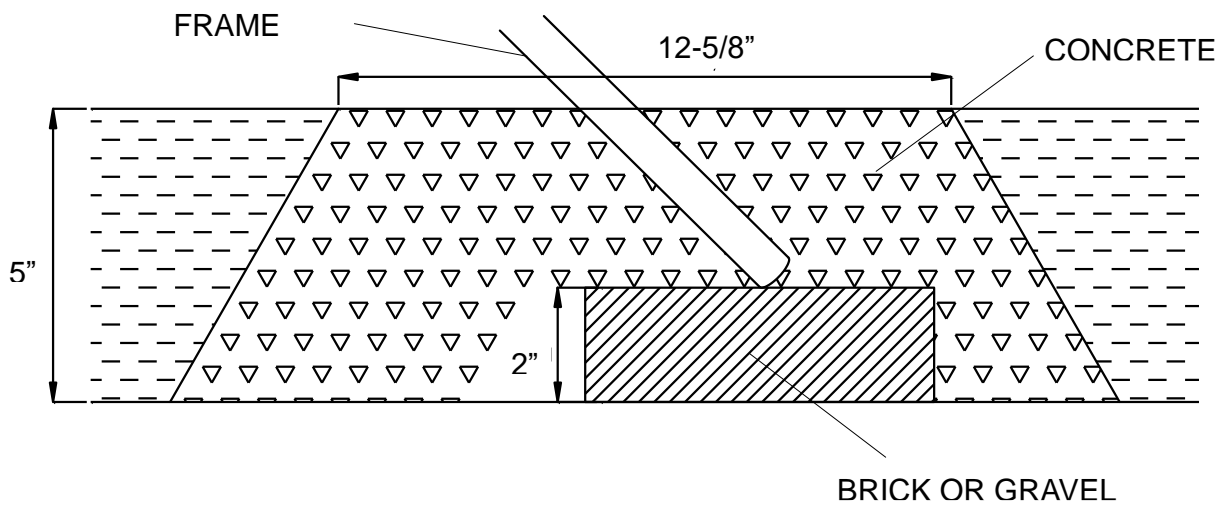
Use appropriate rubber hammer to drive the anchor and secure to the leg per image below



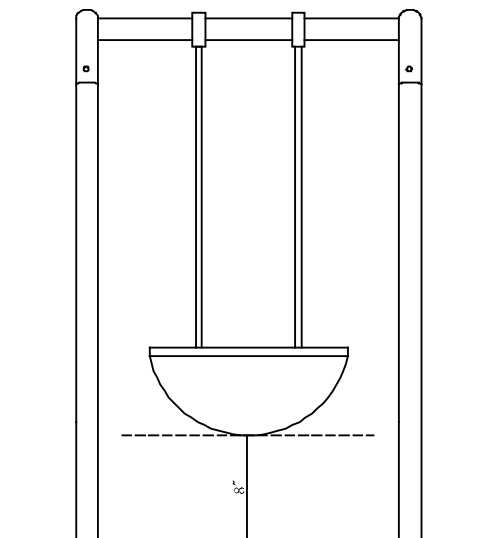
Concrete Anchoring (Materials not included)

- If the swing set is set up on grounds with sandy soil (soft) condition, it must be anchored with concrete footing (concrete not included)
- Be sure that the swing set is assembled and placed on level ground
- Dig holes around swing leg tube, as shown in drawing in the next page. As you dig deeper, enlarge the diameter of the hole to fix the cement
- Place 2 inches of brick or gravel underneath the leg, as shown in drawing in the next page
- Use about 45 lbs. of concrete per leg
- Cover the concrete with dirt and protective surface material

Allow 6-7 days for the concrete to dry properly



Note: The maximum fall height for this product is 6 feet. The minimum ground clearance between the bottom of the suspended plays and the playing or ground surface must be 8 inches.



WARNING

Please properly anchor the swing set to minimize the risk of injury or death. If the swing set is used without proper anchoring, it may be dangerous and may tilt over.

CARE AND MAINTENANCE CHECKLIST

AT THE BEGINNING OF EACH PLAY SEASON:

- Tighten all hardware.
- Lubricate all metallic moving parts per manufacturer's instructions.
- Check all protective coverings on bolts, pipes, edges, and corners. Replace if they are loose, cracked, or missing.
- Check all moving parts including swing seats, ropes, cables and chains for wear, rust or other deterioration. Replace as needed.
- Check metal parts for rust. If found, sand and repaint using a non-lead paint meeting the requirements of 16 CFR 1303.
- Reinstall any plastic parts, such as swing seats or any other items that were removed for the cold season.
- Rake and check depth of loose fill protective surfacing materials to prevent compaction and to maintain appropriate depth. Replace as needed.

TWICE A MONTH DURING PLAY SEASON:

- Tighten all hardware.
- Check all protective coverings on bolts, pipes, edges and corners. Replace if they are loose, cracked or missing.
- Rake and check depth of loose fill protective surfacing materials to prevent compaction and to maintain appropriate depth. Replace as needed.

ONCE A MONTH DURING PLAY SEASON:

- Lubricate all metallic moving parts per manufacturer's instructions.
- Check all moving parts including swing seats, ropes, cables and chains for wear, rust or other deterioration. Replace as needed.
- Rake and check depth of loose fill protective surfacing materials to prevent compaction and to maintain appropriate depth. Replace as needed.

AT THE END OF EACH PLAY SEASON:








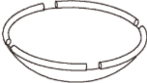


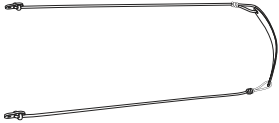

- At the end of each play season or when the temperature drops below 32 degrees F (0 degrees C).
- Remove plastic swing seats and other items as specified by the manufacturer and take indoors or do not use.
- Rake and check depth of loose fill protective surfacing materials to prevent compaction and to maintain appropriate depth. Replace as needed.

As a general rule, maintenance should be performed at any time it is deemed necessary.




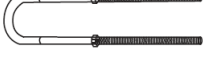







DISPOSAL INSTRUCTIONS

- ◆ Please use care when disassembling the equipment, when it is no longer in operational condition. Wear heavy duty working gloves to avoid injuries.
- ◆ Fully disassemble the entire swing and slide sets before disposal. Do not leave partially disassembled parts in areas accessible by children.
- ◆ Should you wish to recycle the steel tubing, please take the frame to your local recycling center.
- ◆ All plastic parts can be recycled, take it to your local recycling center. Do not let children play with any disassembled parts meant for disposal, such as chains, slide, tubing, bolts, nuts, screws, etc.
- ◆ Owners shall be responsible for maintaining the legibility of the warning labels.

PARTS LIST

Part No.	Picture	Description	Quantity
1		TOP BAR - LEFT	1
2		TOP BAR - RIGHT	1
3		SUPPORT PLATE	2
4		UPPER LEG	4
5		LOWER LEG	4
6		CROSS BAR	2
7		FLYING SAUCER TUBE	4
8		FLYING SAUCER	1
9		FLYING SAUCER ROPE	4
10		ANCHOR	4
11		SEATS ROPE	1
12		PLASTIC CAP	4

HARDWARE PARTS LIST

Part No.	Picture	Description	Quantity
A		BOLT 5/16" (8mm x 50mm)	4
B		BOLT 5/16" (8mm x 53mm)	4
C		BOLT 5/16" (8mm x 70mm)	4
D		BOLT 5/16" (8mm x 114mm)	4
E		BOLT 5/16" (8mm x 85mm)	4
F		ARC WASHER 5/16" (8mm)	52
G		SPRING WASHER (MEDIUM)	28
H		WASHER	4
I		CAP NUT 5/16" (8mm)	28
J		WRENCH	1
K		ALLEN WRENCH	1

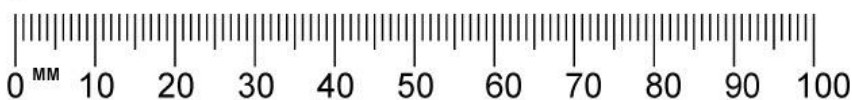
NOTE: EXTRA HARDWARE MAY BE INCLUDED

Measuring Hardware

It is very important that you get the right hardware in the correct place when assembling the unit. You can use the ruler to measure your hardware or you can compare the hardware to the hardware identification page.

NOTES:

- 1) Do not include bolt head when measuring length of bolt.
- 2) Include full length of deck screw when measuring



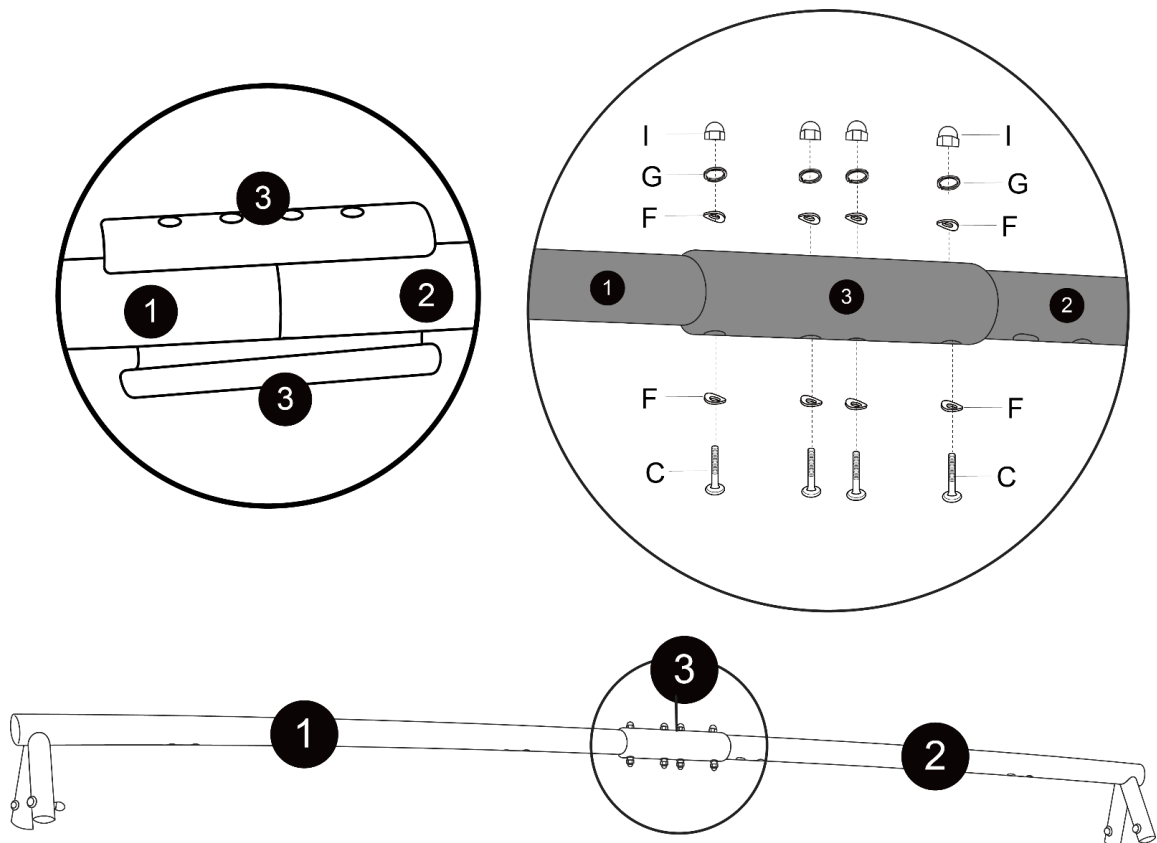
NOT TO SCALE

ASSEMBLY AND INSTALLATION INSTRUCTIONS

STEP 1

- Connect Left and Right Top Bars (#1, #2 and #3) together. Secure using C, F, F, G and I as shown.

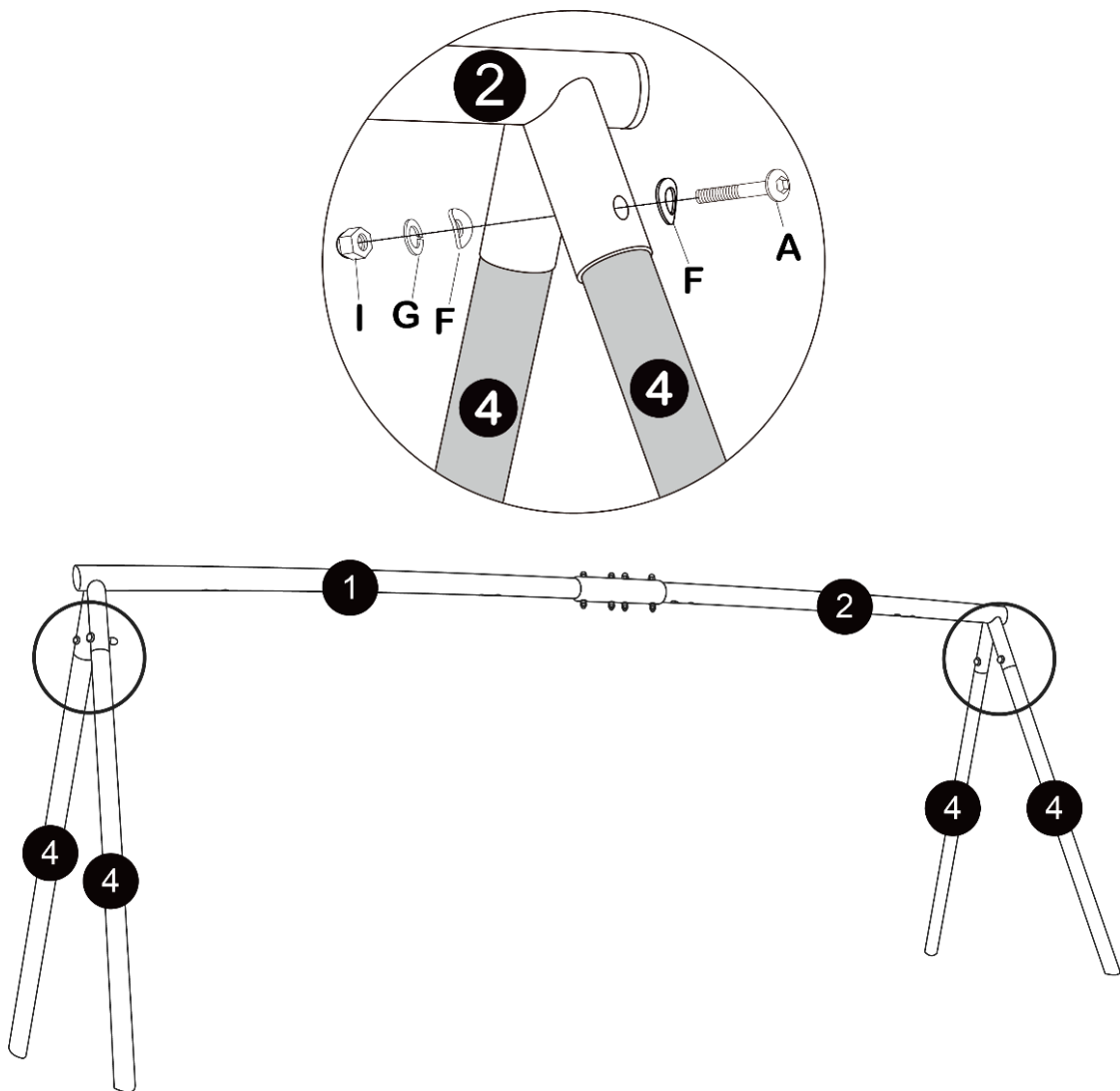
NOTE: For easier assembly, do not tighten the bolts all the way initially to allow room for adjustment. You must go back and fully tighten all bolts after the entire swing set is assembled.



ASSEMBLY AND INSTALLATION INSTRUCTIONS

STEP 2

- Insert Top Legs (# 4) into the sockets on the assembled top bar. Align the holes. Secure using A, F, G and I as shown.
- Repeat the same process for all four legs shown below.

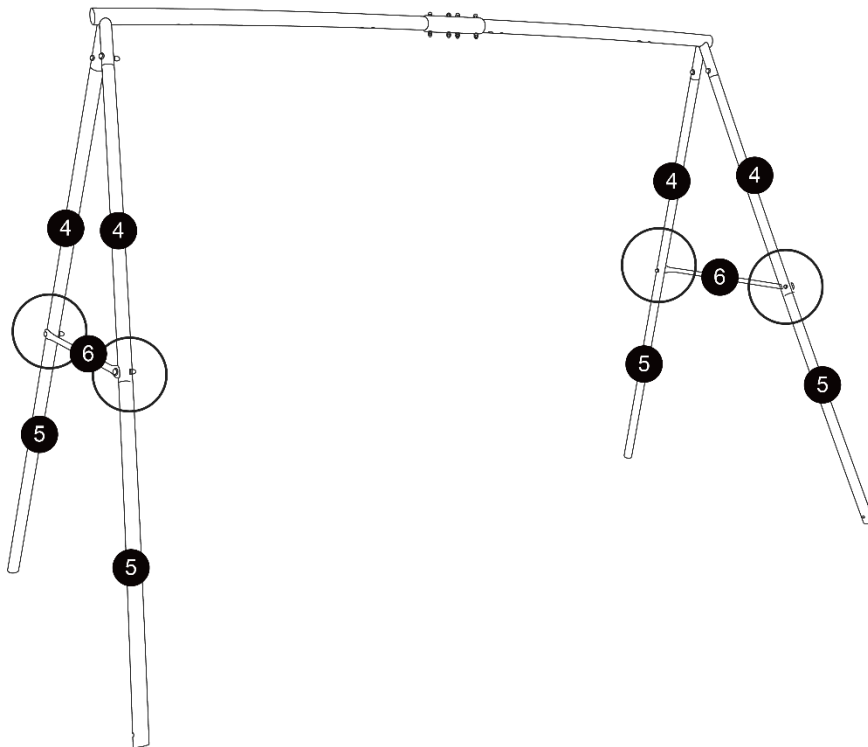
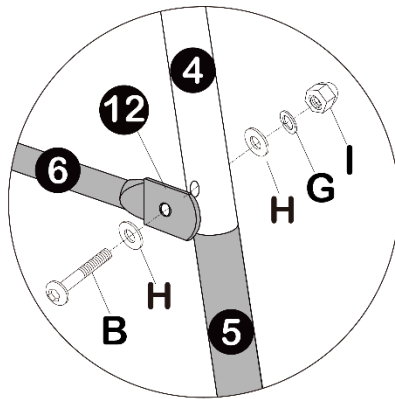


ASSEMBLY AND INSTALLATION INSTRUCTIONS

STEP 3

- Connect Lower Legs (# 5) and Cross Rails (# 6 and #12) to Top Legs (# 4). Secure using B, H, H, G, I as shown.
- Repeat the same process for all four legs shown below.

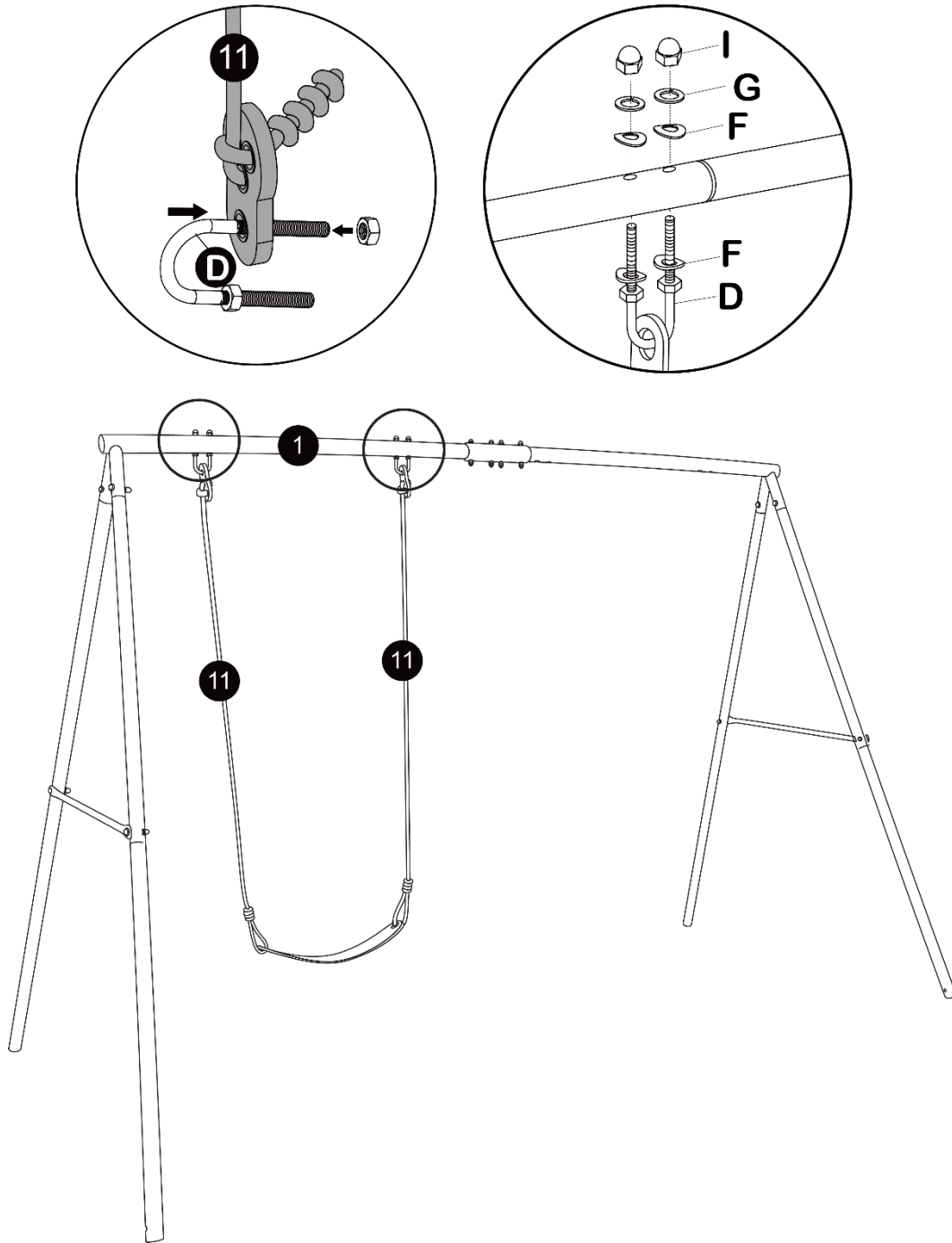
REMINDER: Once you have completed assembling the swing frame, make sure to go over the previous steps and fully tighten all the nuts



ASSEMBLY AND INSTALLATION INSTRUCTIONS

STEP 4

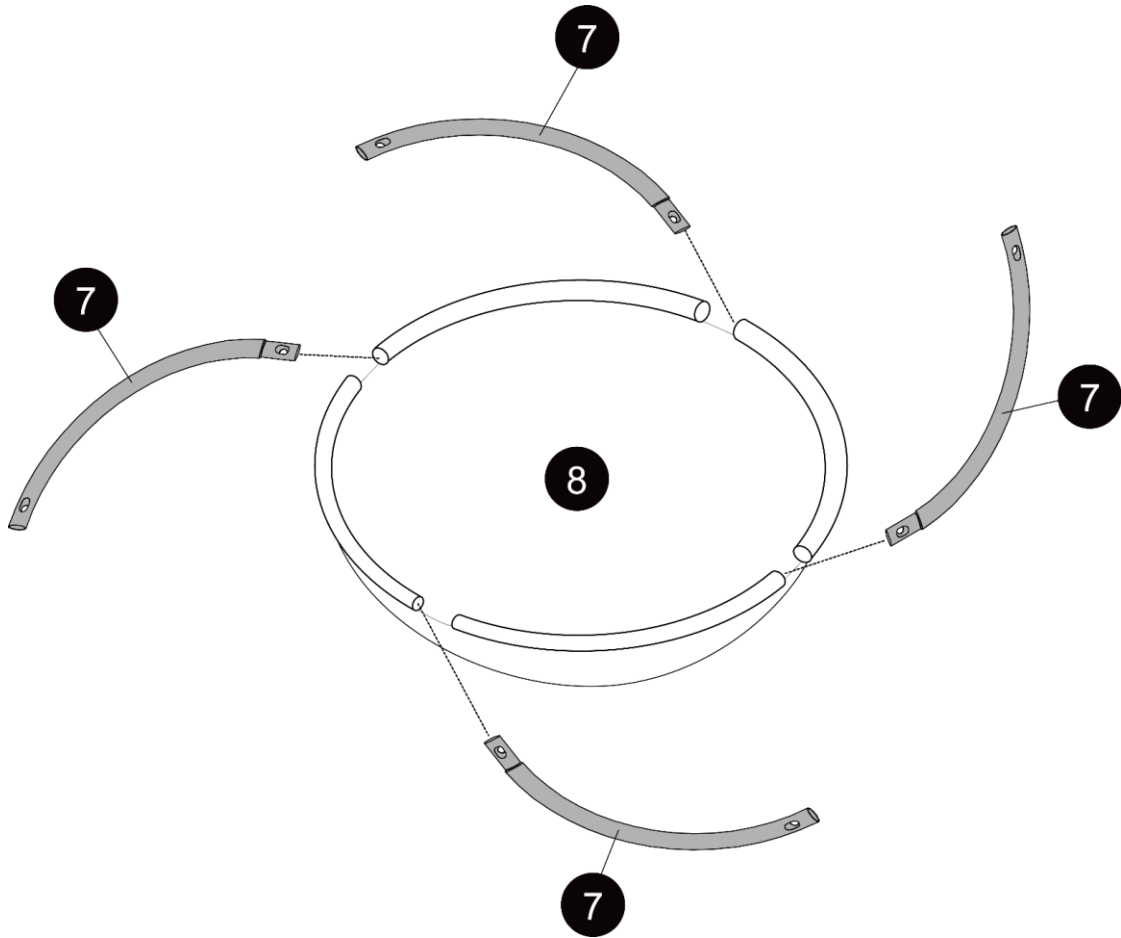
- Connect Ropes (#11) to the top bar (#1) by inserting the U-bolt, Secure using D, F, F, G, I as shown.



ASSEMBLY AND INSTALLATION INSTRUCTIONS

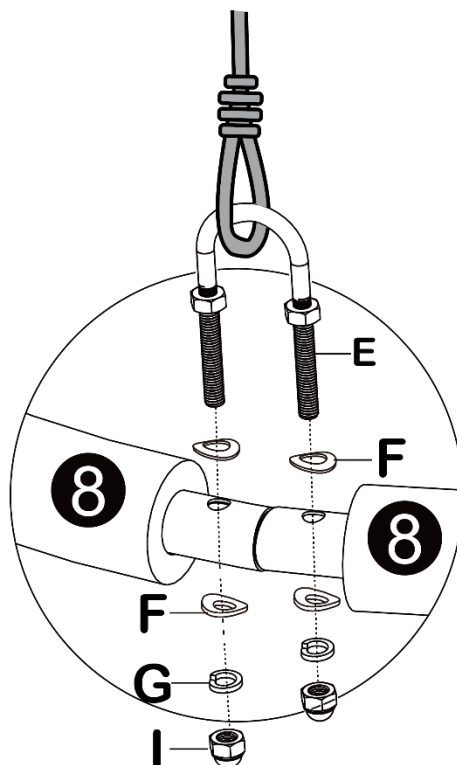
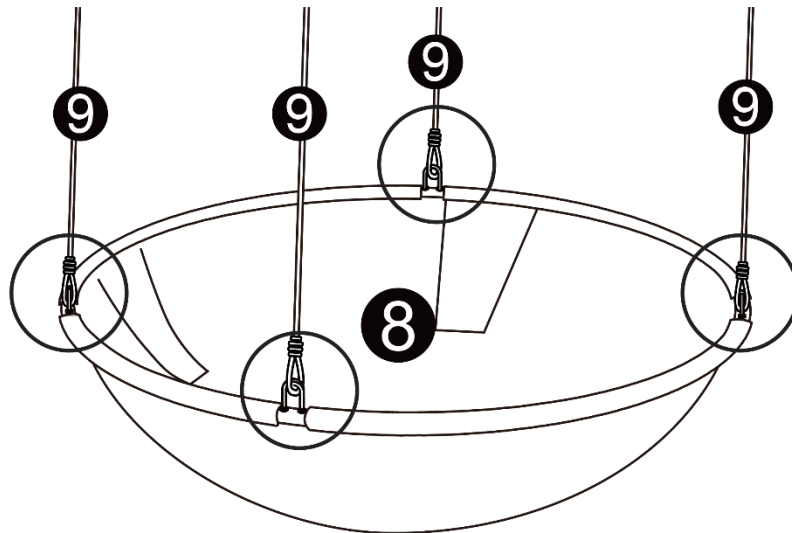
STEP 5

- Slide Flying Saucer Tubes (# 7) into the pockets of Flying Saucer (# 8) as shown below. Connect the four tubes together and align the holes with the round holes facing downward.



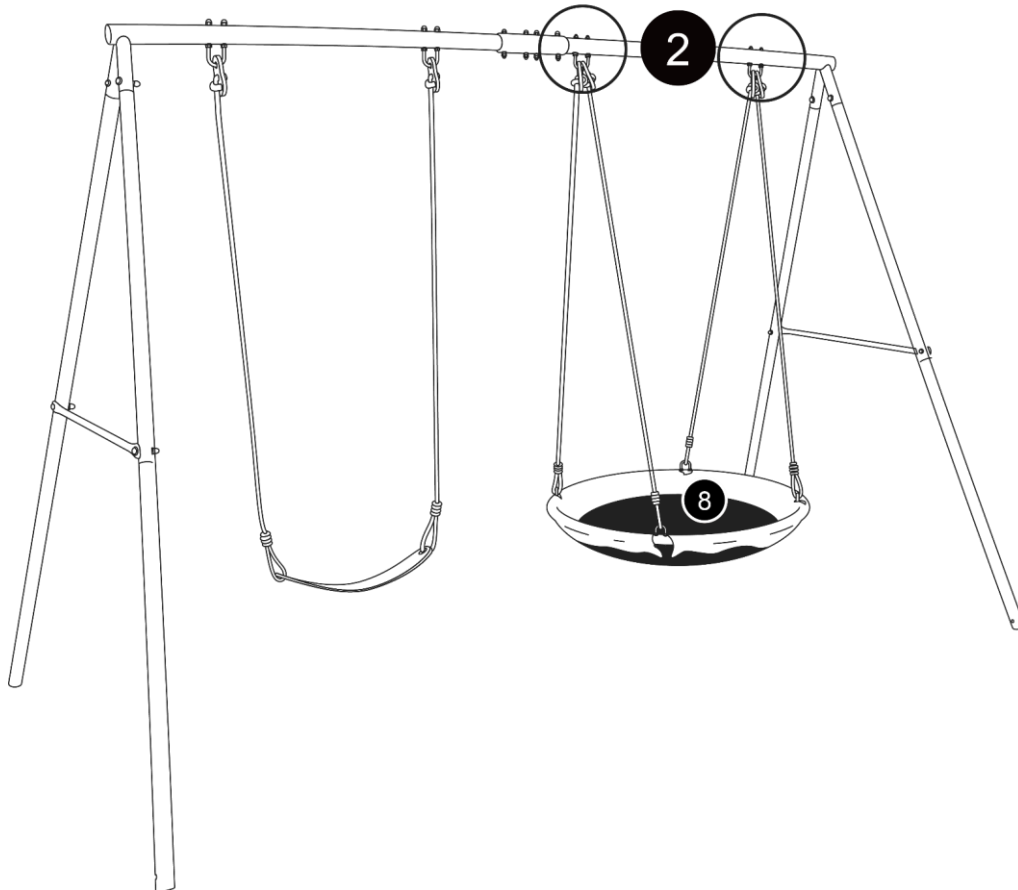
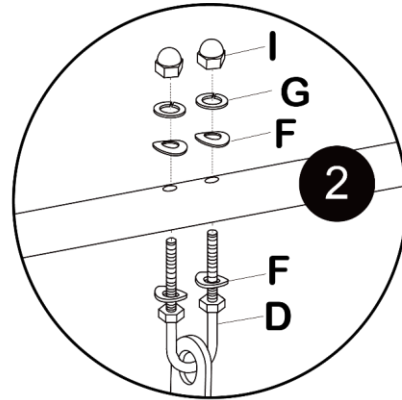
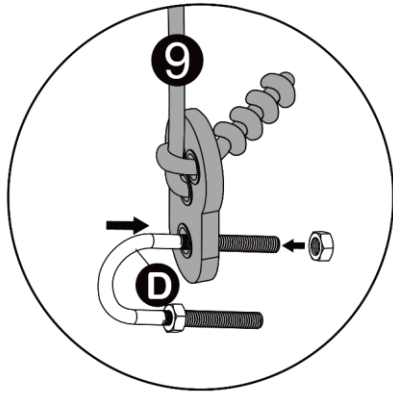
ASSEMBLY AND INSTALLATION INSTRUCTIONS

- Connect Ropes (#9) to the Flying Saucer Tubes (#7) by inserting the U-bolt, Secure using E, F, F, G, I as shown.



ASSEMBLY AND INSTALLATION INSTRUCTIONS

Connect Ropes (#9) to the top bar (#2) by inserting the U-bolt, Secure using D, F, F, G, I as shown.

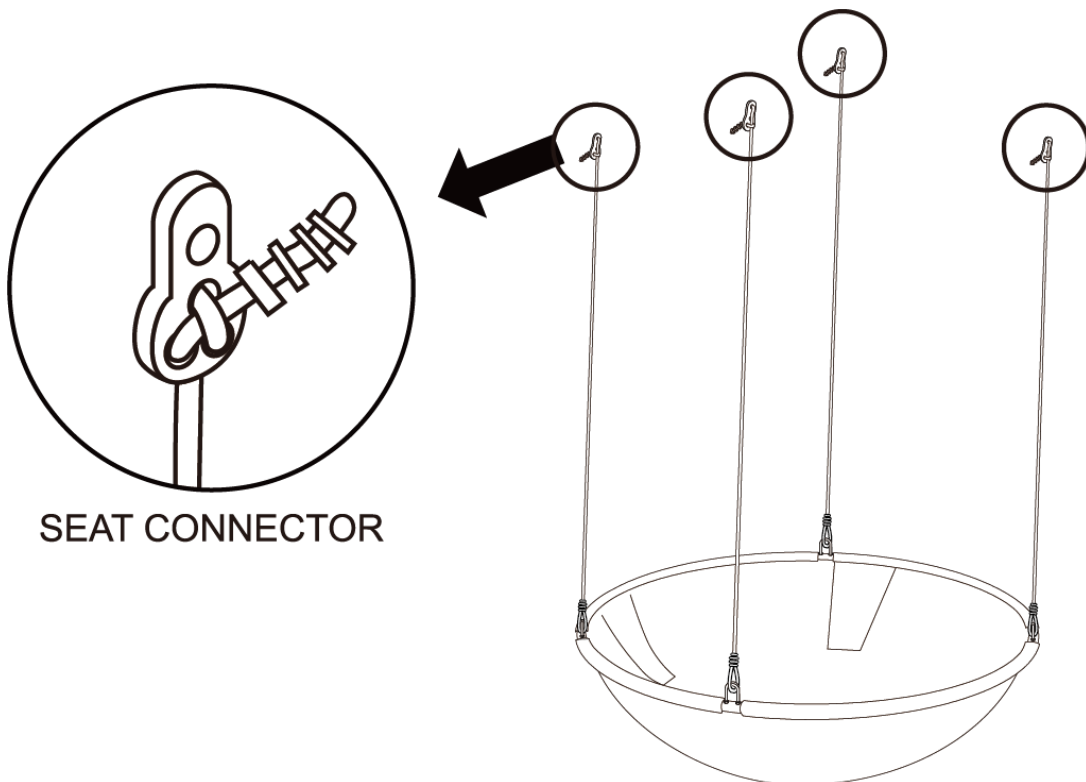


ASSEMBLY AND INSTALLATION INSTRUCTIONS

STEP 6

SEAT ADJUSTMENT GUIDE

- The length of the rope is adjustable to accommodate the height of the child. To adjust, loosen the knot on the seat connector, pull rope through the hole to the appropriate length and re-tie the knot again. Make sure that knots are tight and that both ropes are adjusted evenly so that the seat is horizontal.



Congratulations!

You have now completed installing the equipment. Please make sure to go back and check all hardware and ensure all bolts and nuts are securely tightened before using the playground equipment. Do not let children use the playground equipment until it is properly assembled and anchored (anchors not included).

Constant adult supervision required during use.

MANUFACTURER'S LIMITED WARRANTY

Sportspower Ltd. warrants its overall product for 1 year from the date of purchase. This includes the foam pads, as well as all swing set parts. Products are warranted to be free of defects in material and workmanship under normal use and service conditions.

This warranty coverage extends only to the original purchaser with a receipt and is non-transferable. All products for which a warranty claim is made must be received by SPORTSPOWER'S authorized service center, freight prepaid, and accompanied by sufficient proof of purchase during the warranty period.

This limited warranty does not cover our products which (1) fail due to normal wear, abuse and neglect, improper maintenance, or unauthorized repairs or alterations; (2) are used for commercial or other income-producing purposes; or (3) fail due to accidents and misuse; (4) Damage caused by inclement weather.

All warranty repairs must be authorized by SPORTSPOWER Customer Service before repairs are made.

IMPORTANT: A missing part is not considered the same thing as a defective part or unit. If a part is missing, there is no need to return the entire unit to the store. In order to obtain fast replacement parts or service as provided by this warranty, please call the number below. Proof of purchase required.

For Customer Service, please call 1-866-370-2131 or visit www.sportspowerltd.net
Monday – Friday 9:00 AM – 5:00 PM Eastern Time

Sportspower Ltd.

LEVE 20, PARKVIEW CENTRE, 7 LAU LI STREET, CAUSEWAY BAY, HONG KONG

NA-31-MS-1036-32-WM-22001