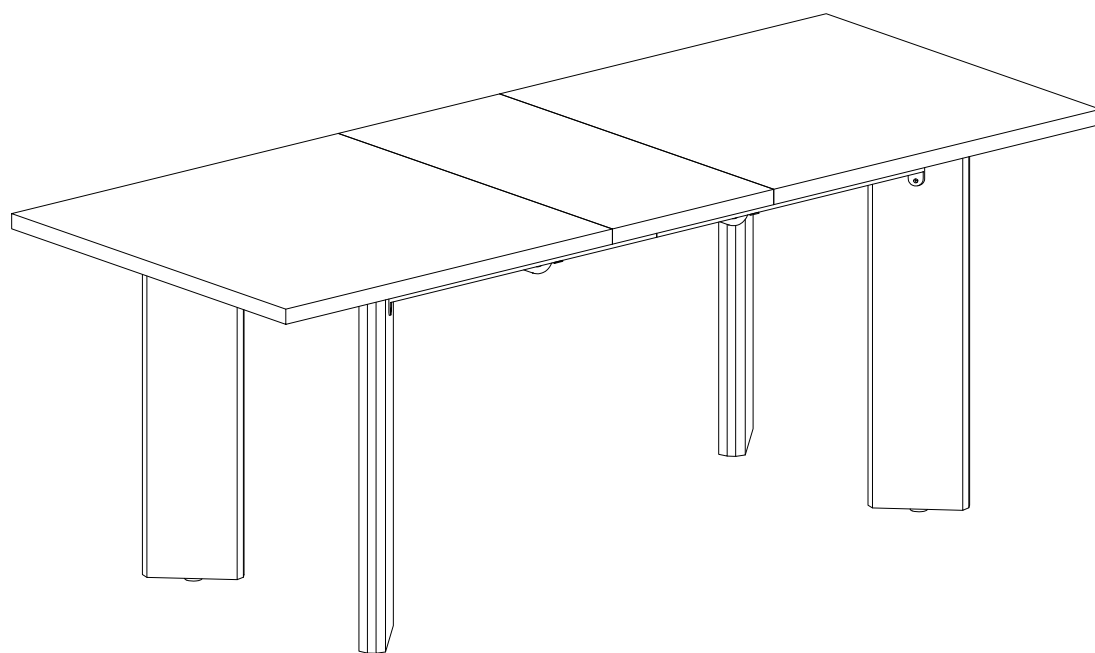
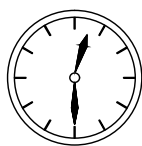
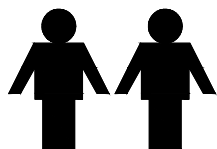
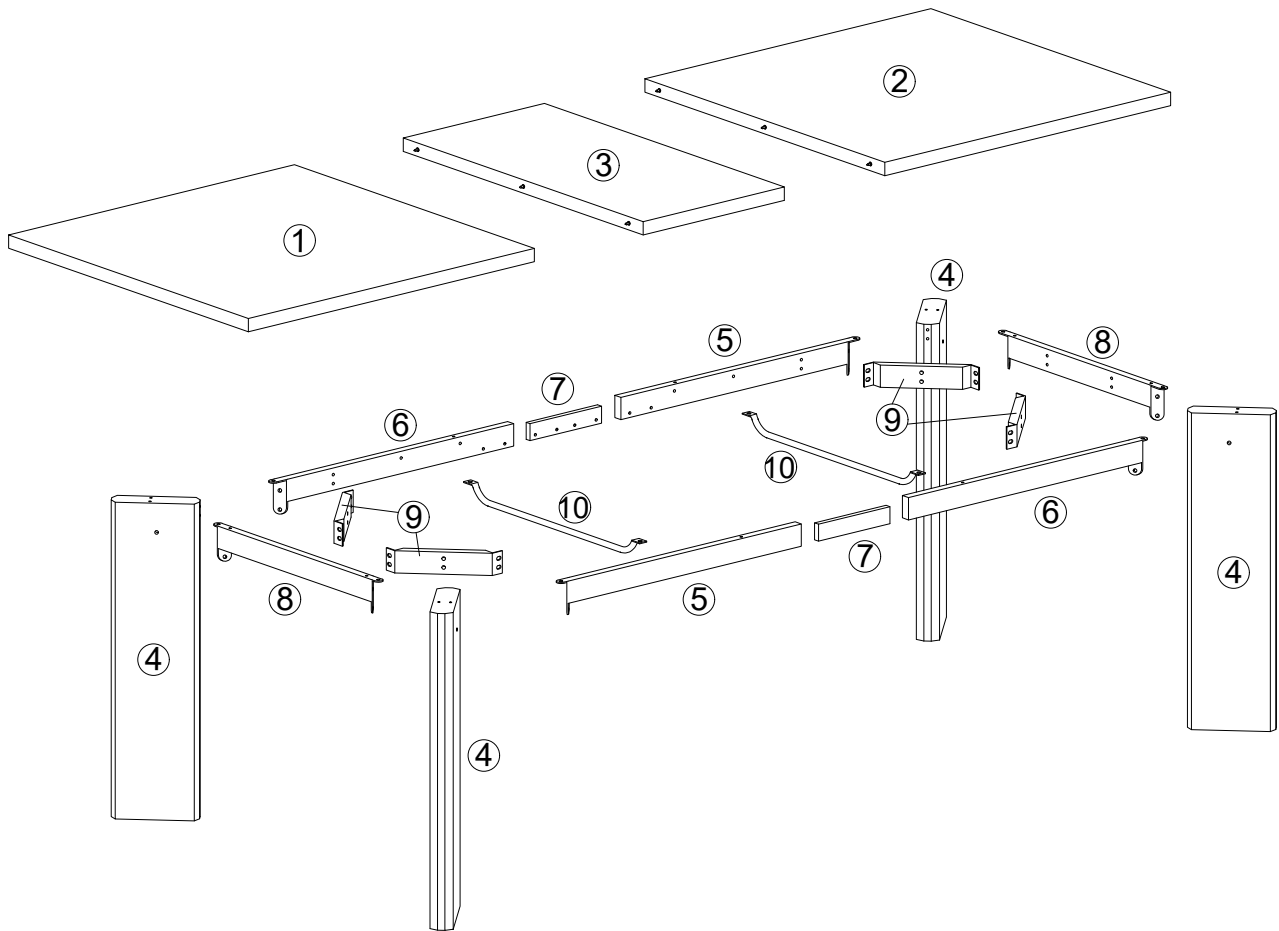
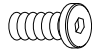

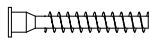






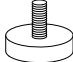




ASSEMBLY INSTRUCTION

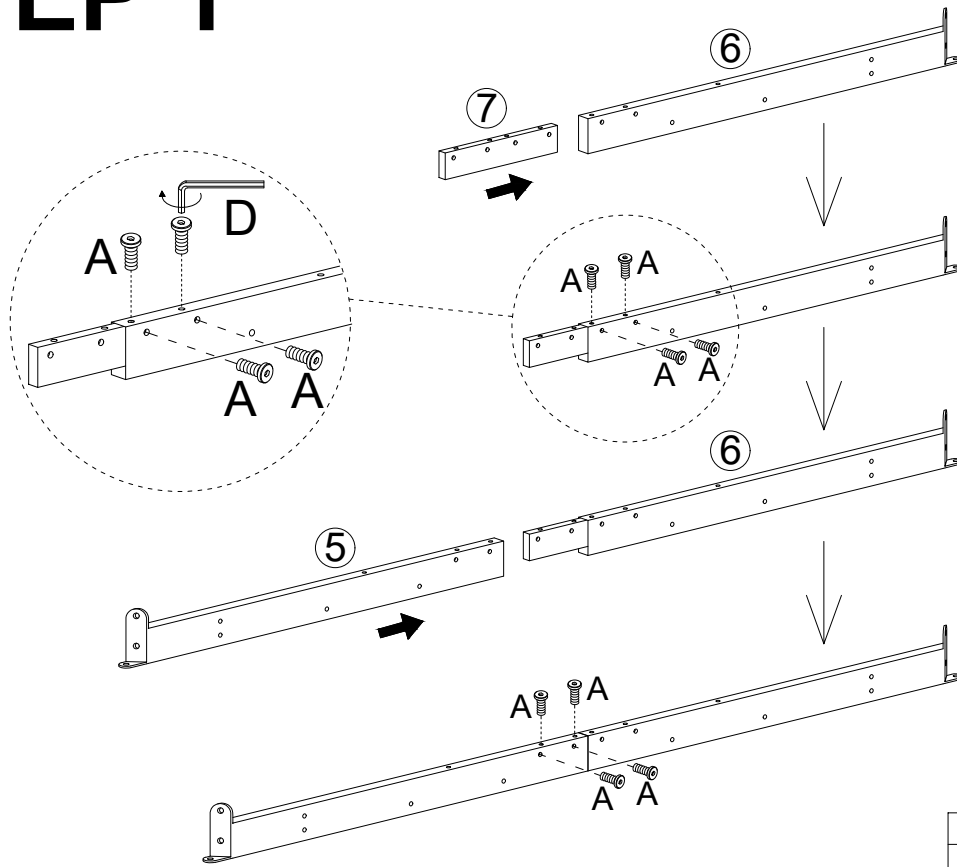




Notes: Don't fully tighten screws until all parts are confirmed in place to avoid misalignment.



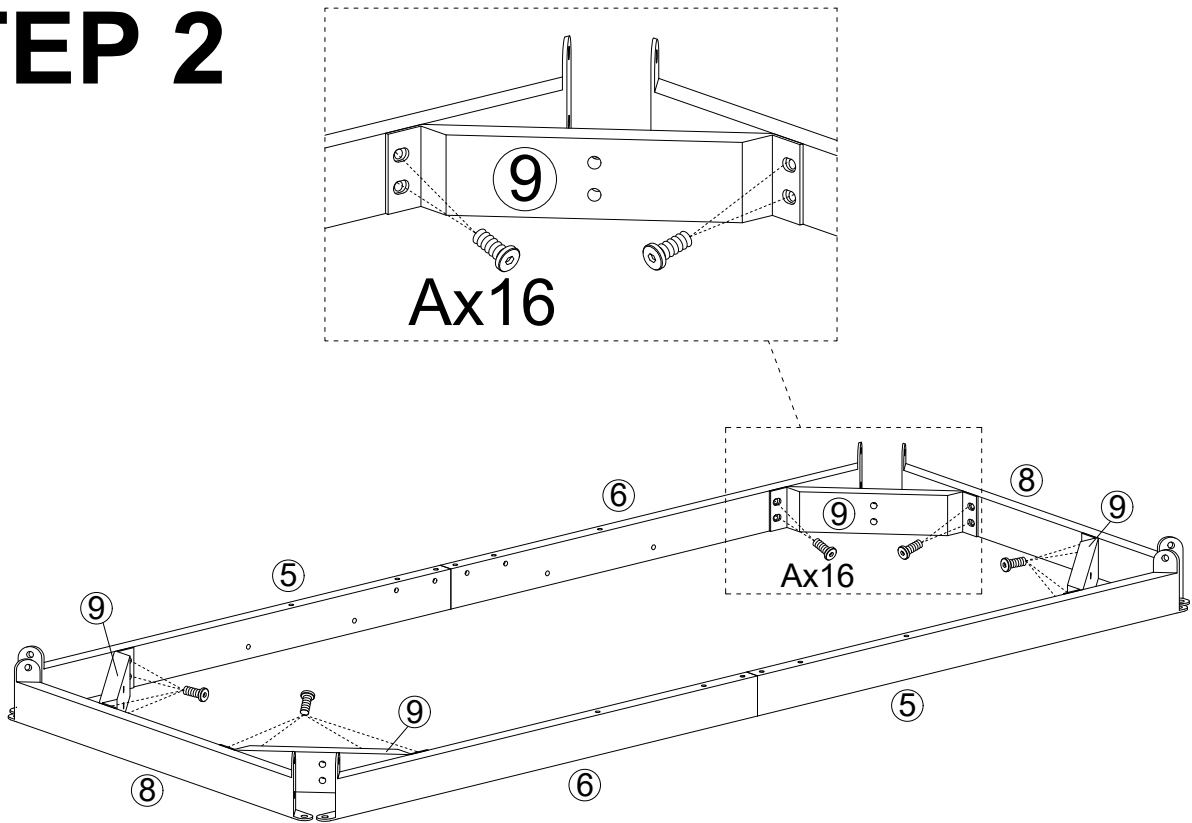
A	X36	B	X16	C	X16	D	X1	E	X8	F	X8
											
M6X12mm		M6X18mm		Ø7X37mm		M4X55mm		M4X12mm		Ø18X2mm	
G	X4	H	X4	I	X8	J	X4	K	X2	L	X1
											
Ø3.5X14mm		20X20X14mm		M6XØ15mm		M6XØ30mm		L690mm			


STEP 1



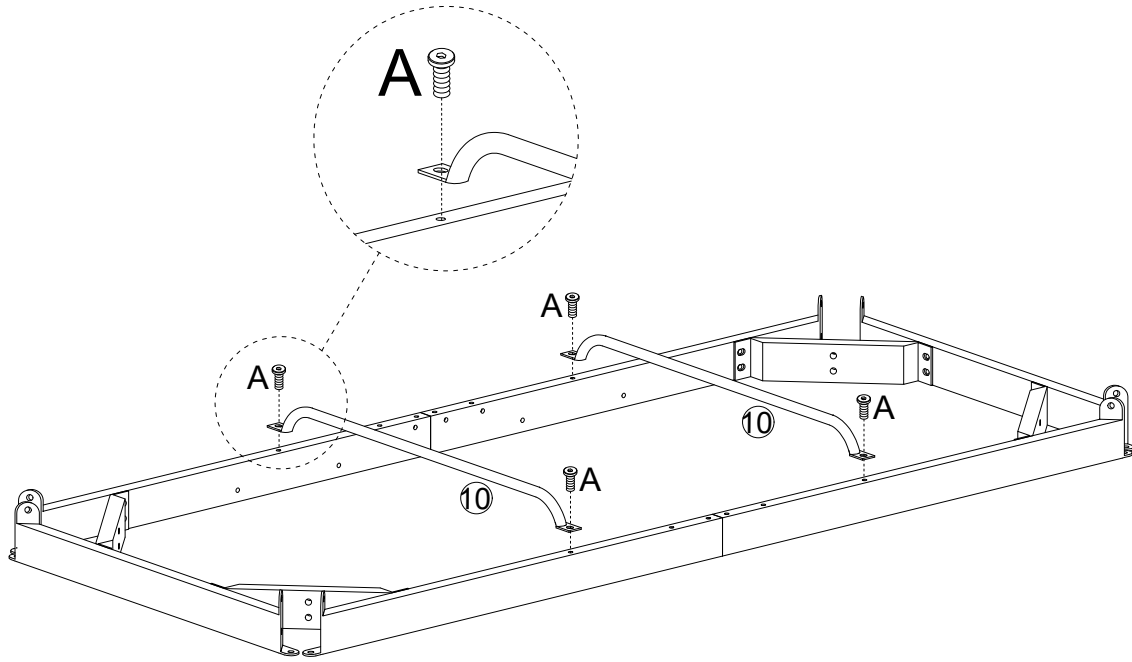
A	X16	D	X1
			
M6X12mm		M4X55mm	

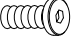
STEP 2



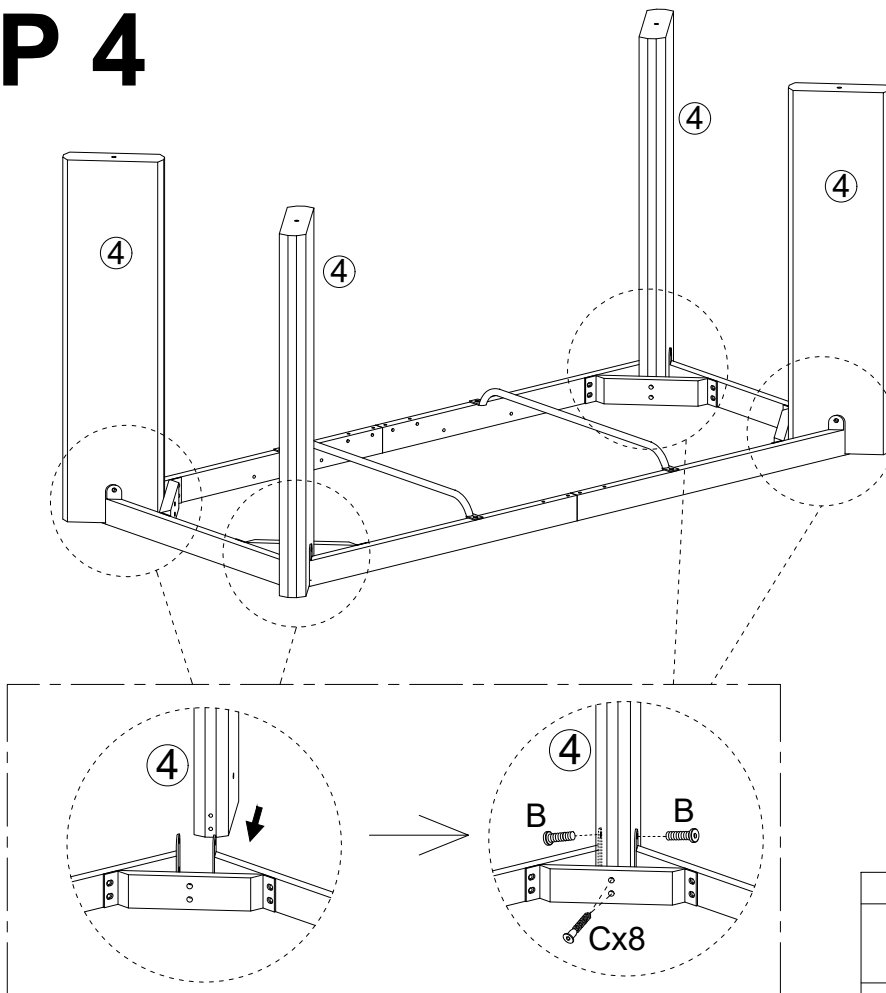
A	X16
	
M6X12mm	

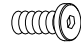
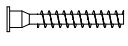
STEP 3



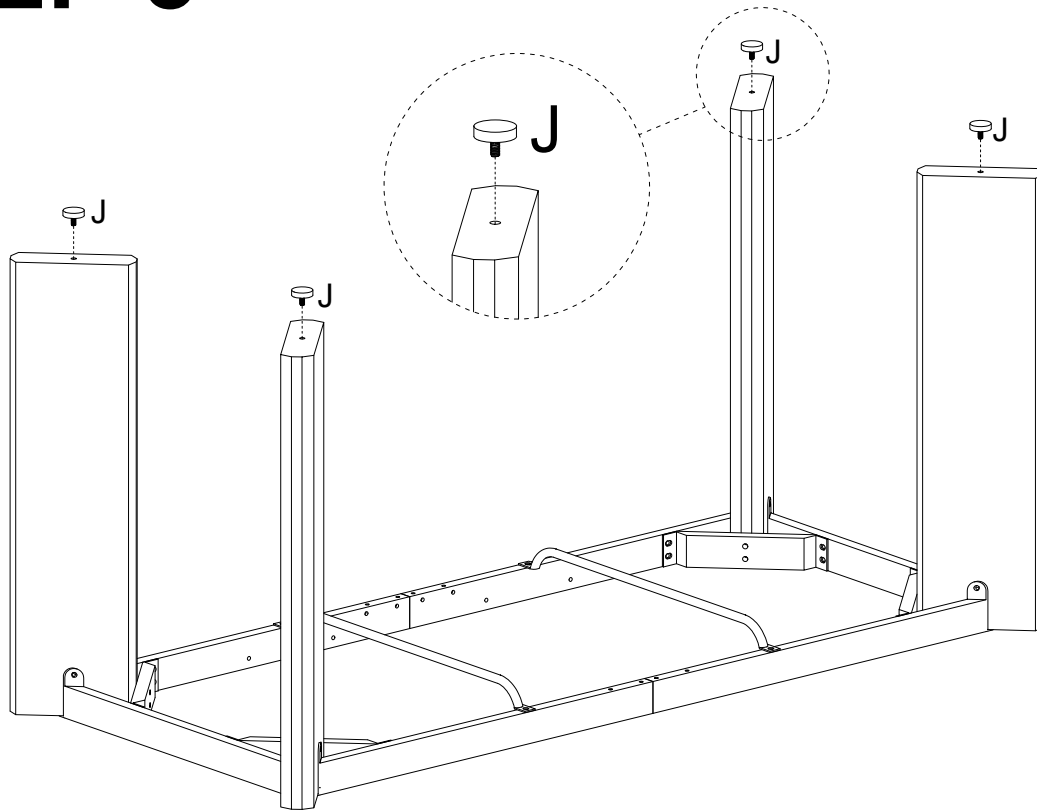
A	X4
	
M6X12mm	

STEP 4



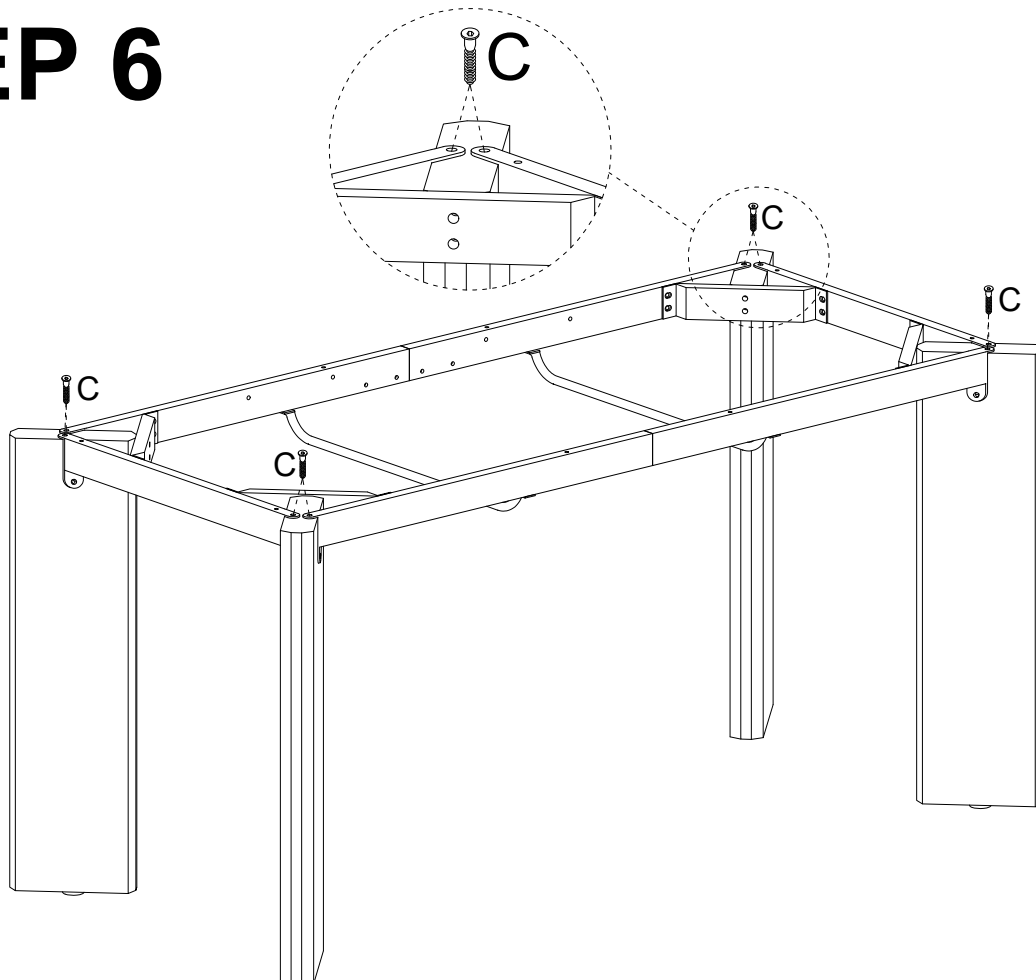
B	X8	C	X8
			
M6X18mm		Ø7X37mm	

STEP 5



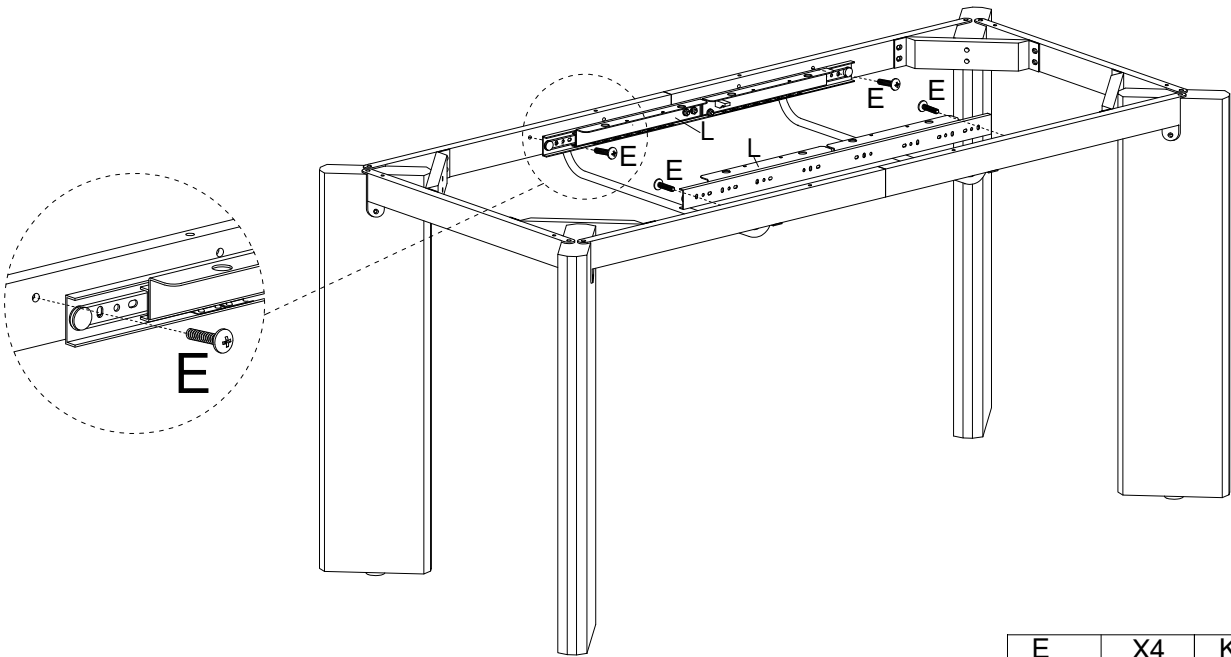
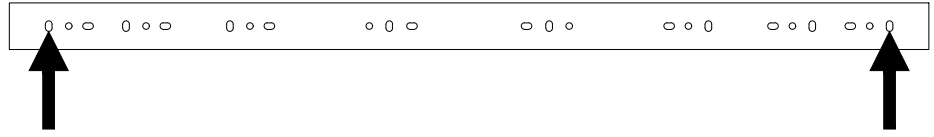
J	X4
M6XØ30mm	

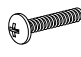

STEP 6



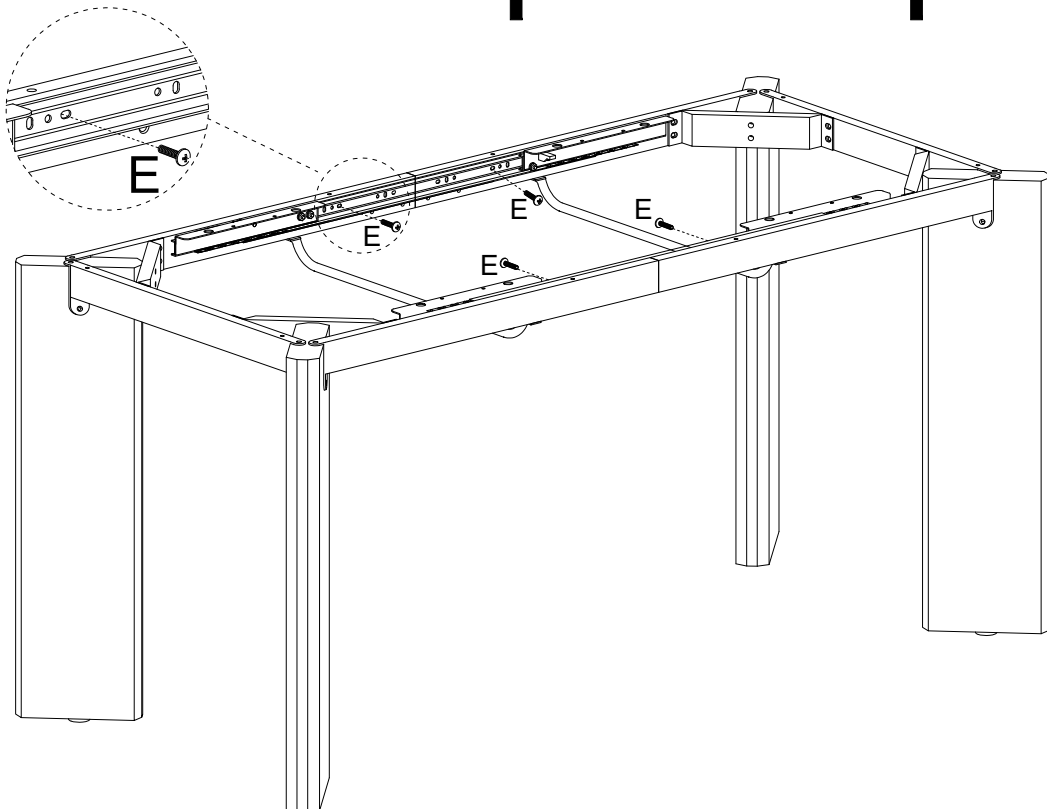
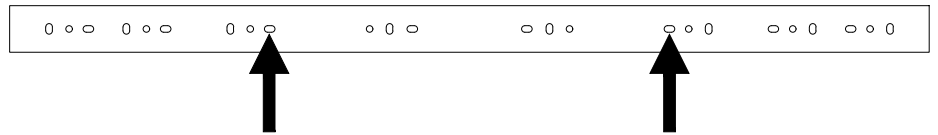
C	X8
Ø7X37mm	


STEP 7



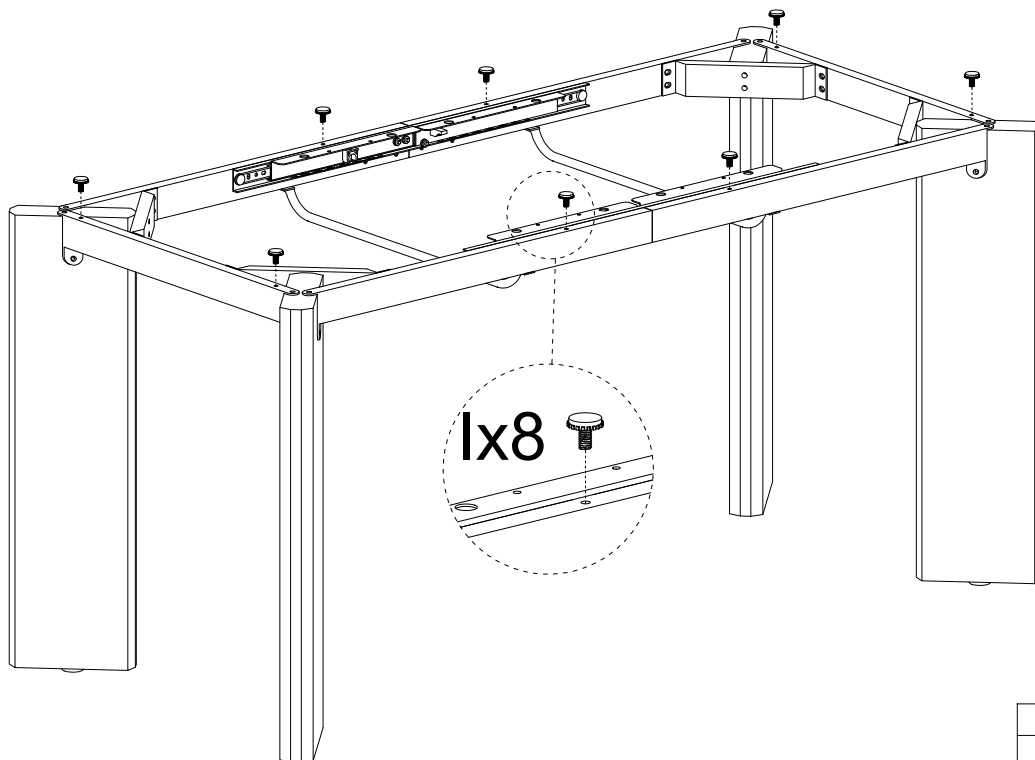
E	X4	K	X2
			
M4X12mm		L690mm	


STEP 8



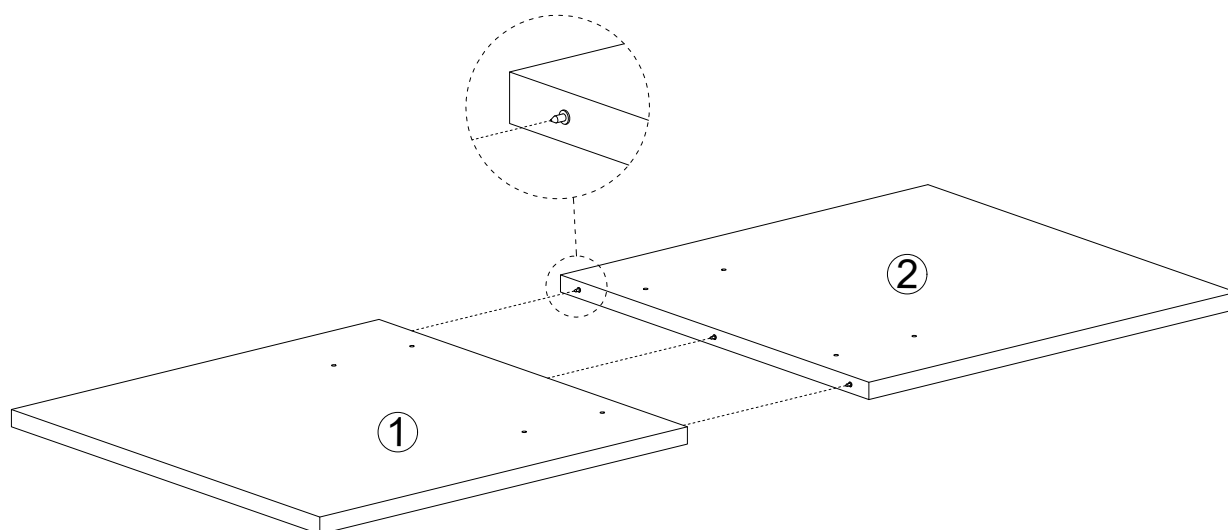
E	X4
	
M4X12mm	

STEP 9

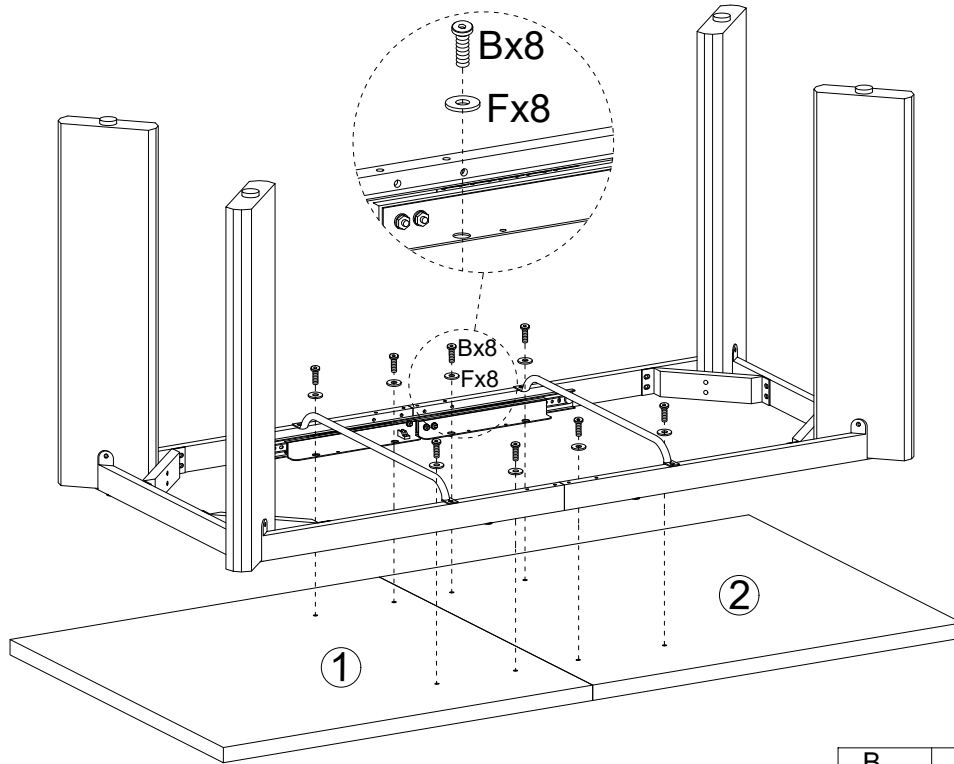


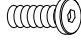

I	X8
	
M6XØ15mm	

STEP 10

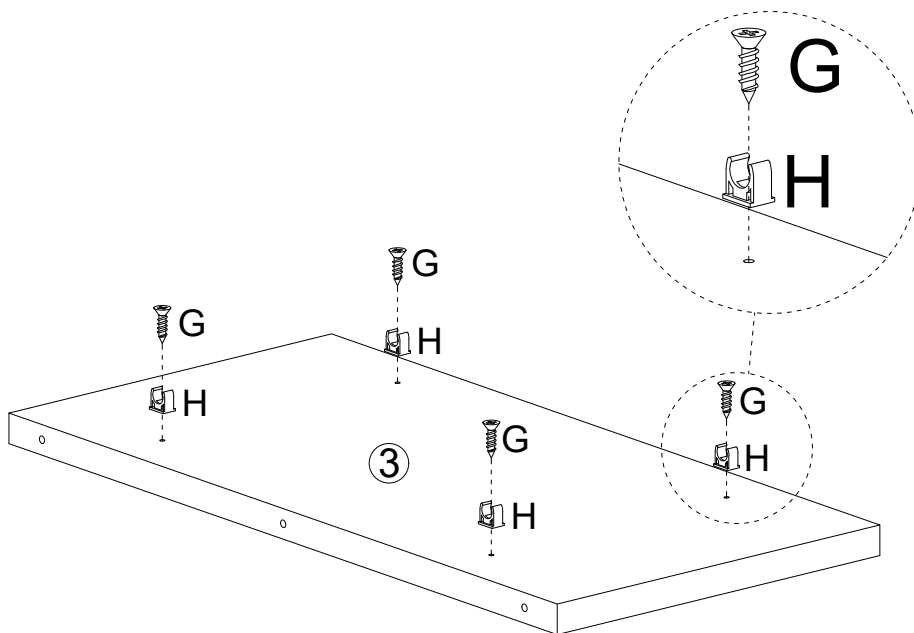


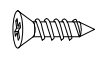
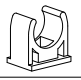
STEP 11



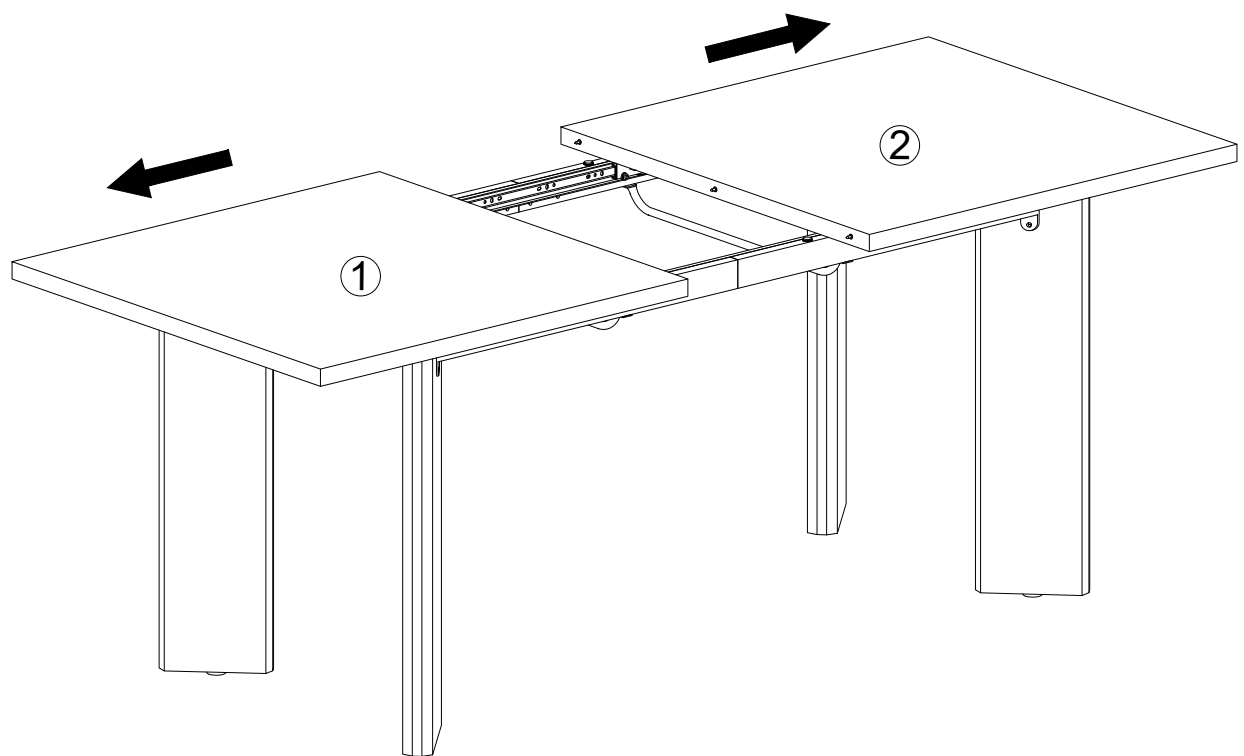
B	X8	F	X8
			
M6X18mm		Ø18X2mm	

STEP 12



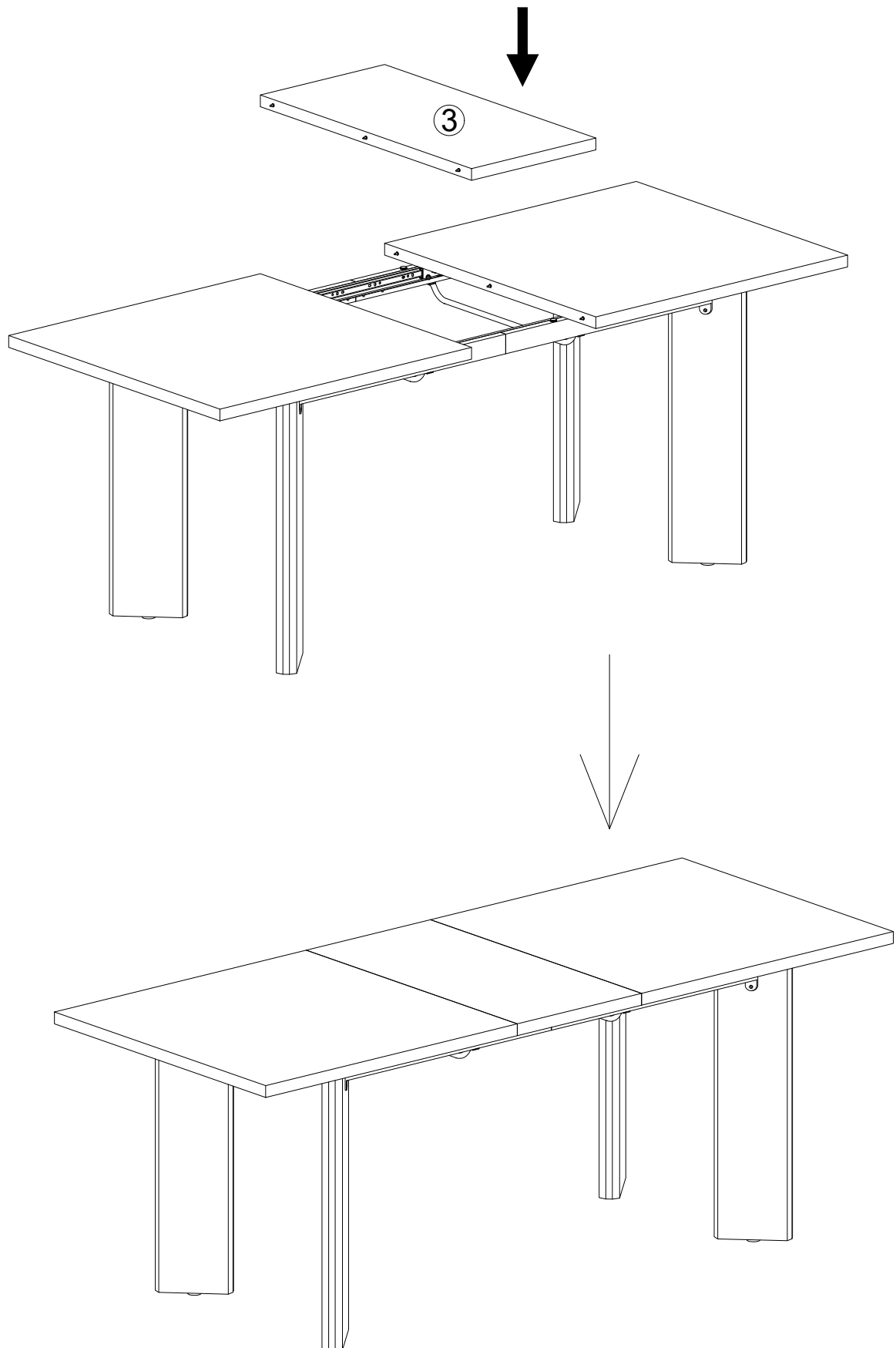
G	X4	H	X4
			
Ø3.5X14mm		20X20X14mm	

STEP 13



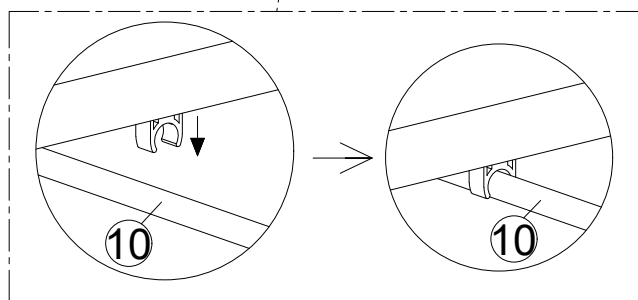
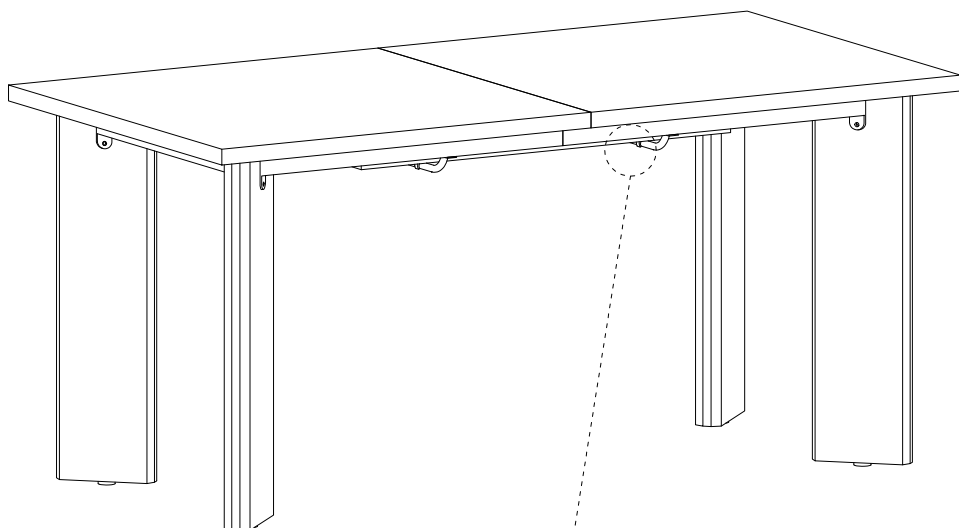
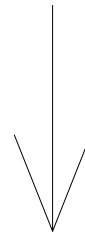
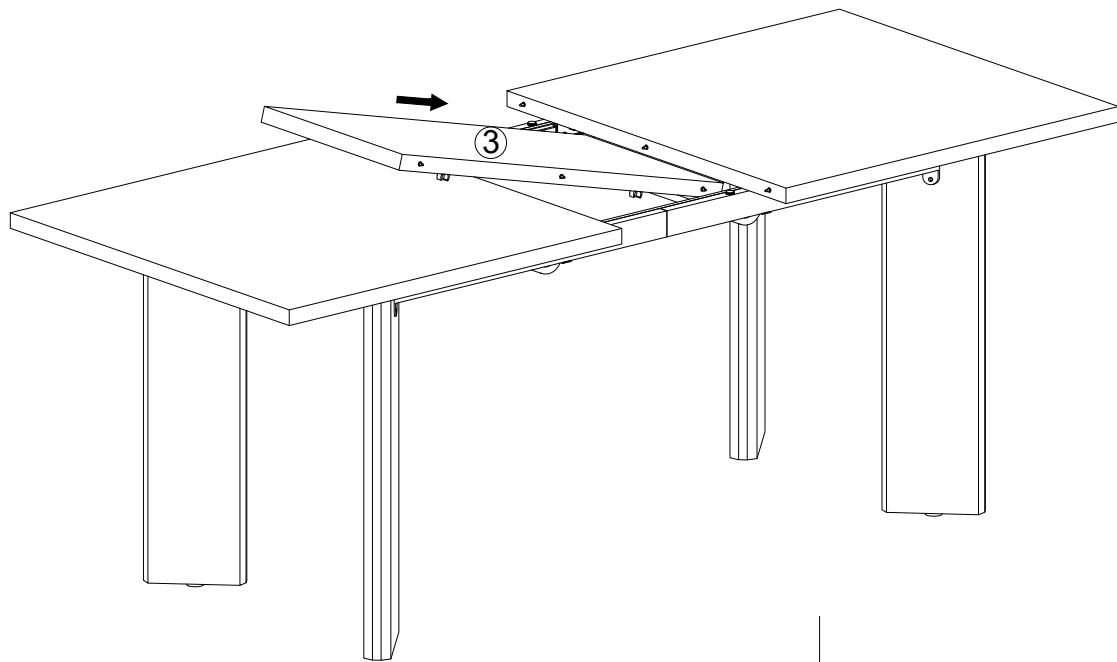
STEP 14

STYLE 1

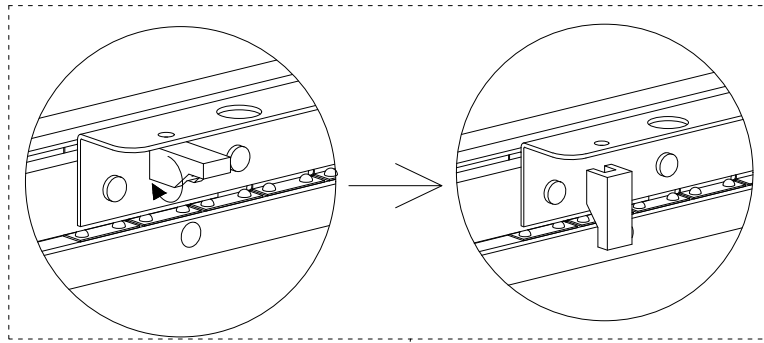


STEP 15

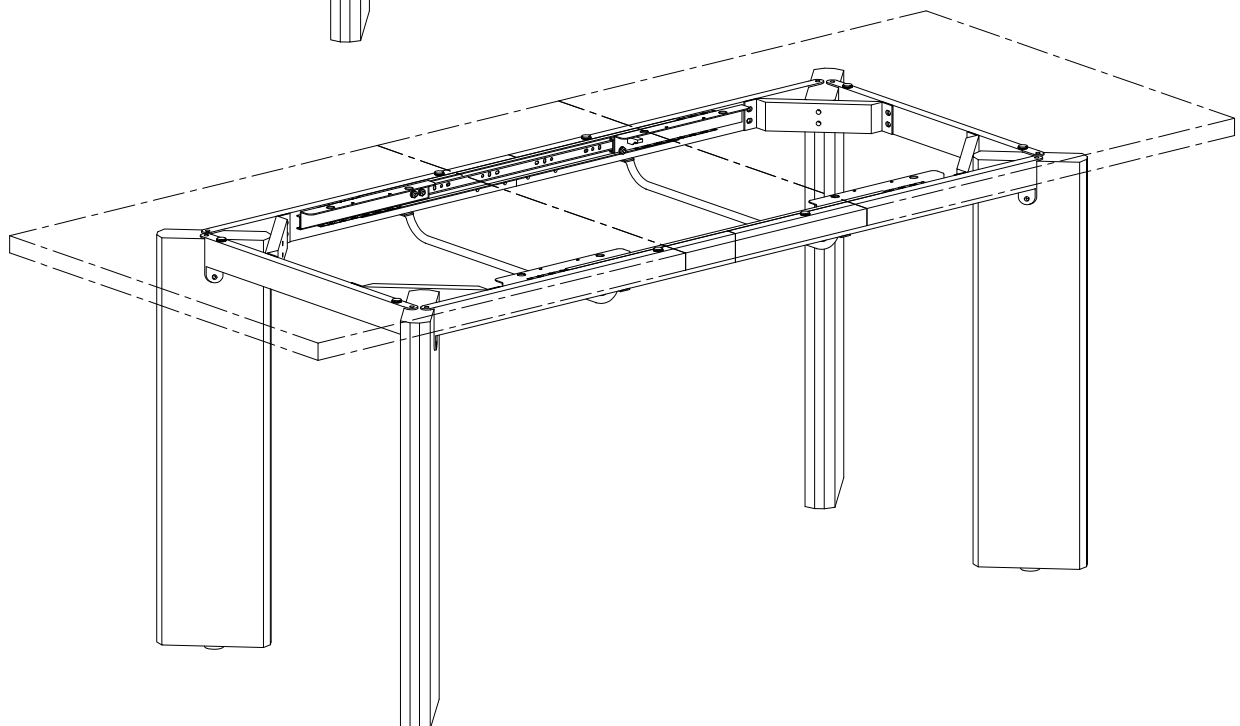
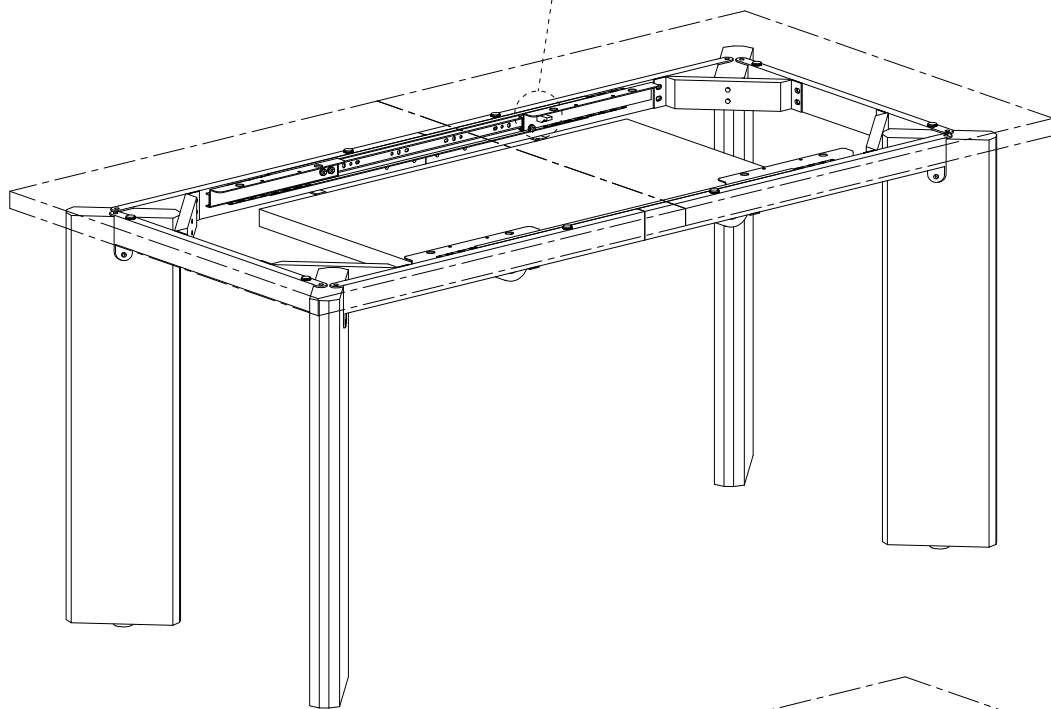
STYLE 2



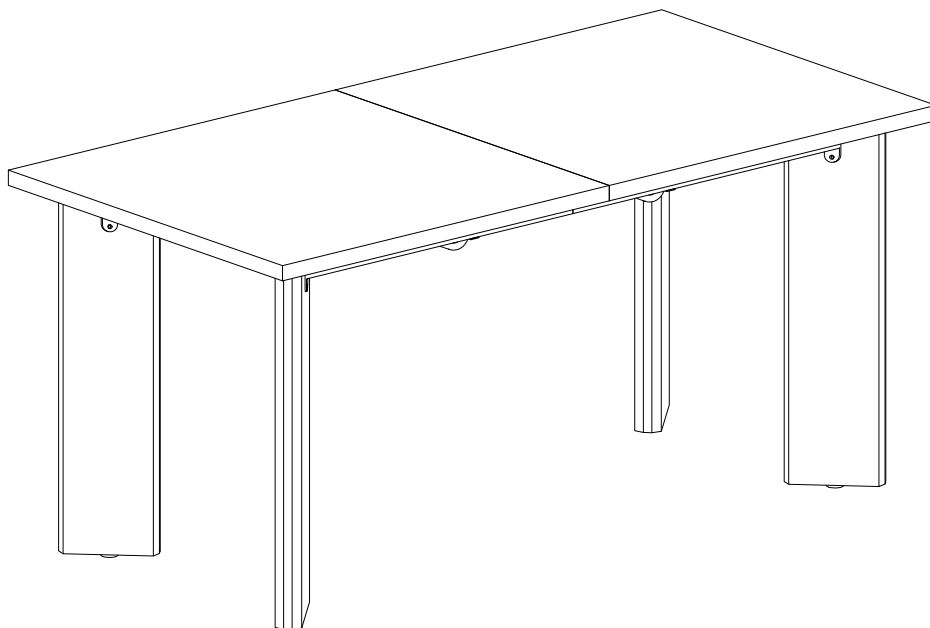
STEP 16



Press down to lock it



STEP 17



OR

