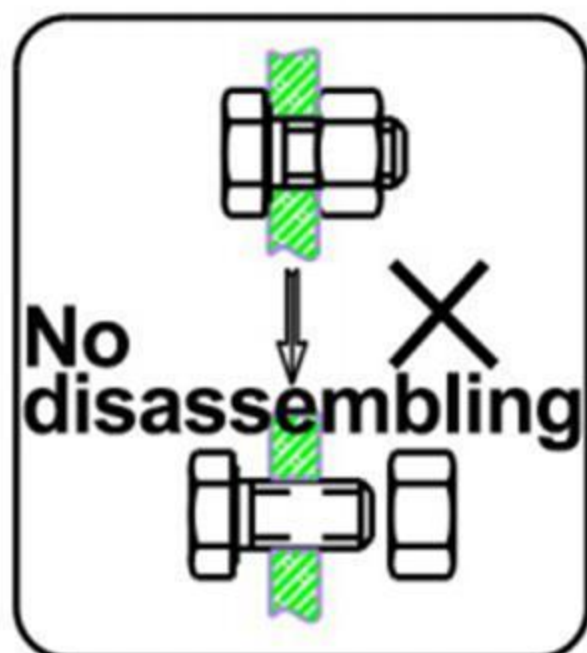


# INSTALLATION STEPS

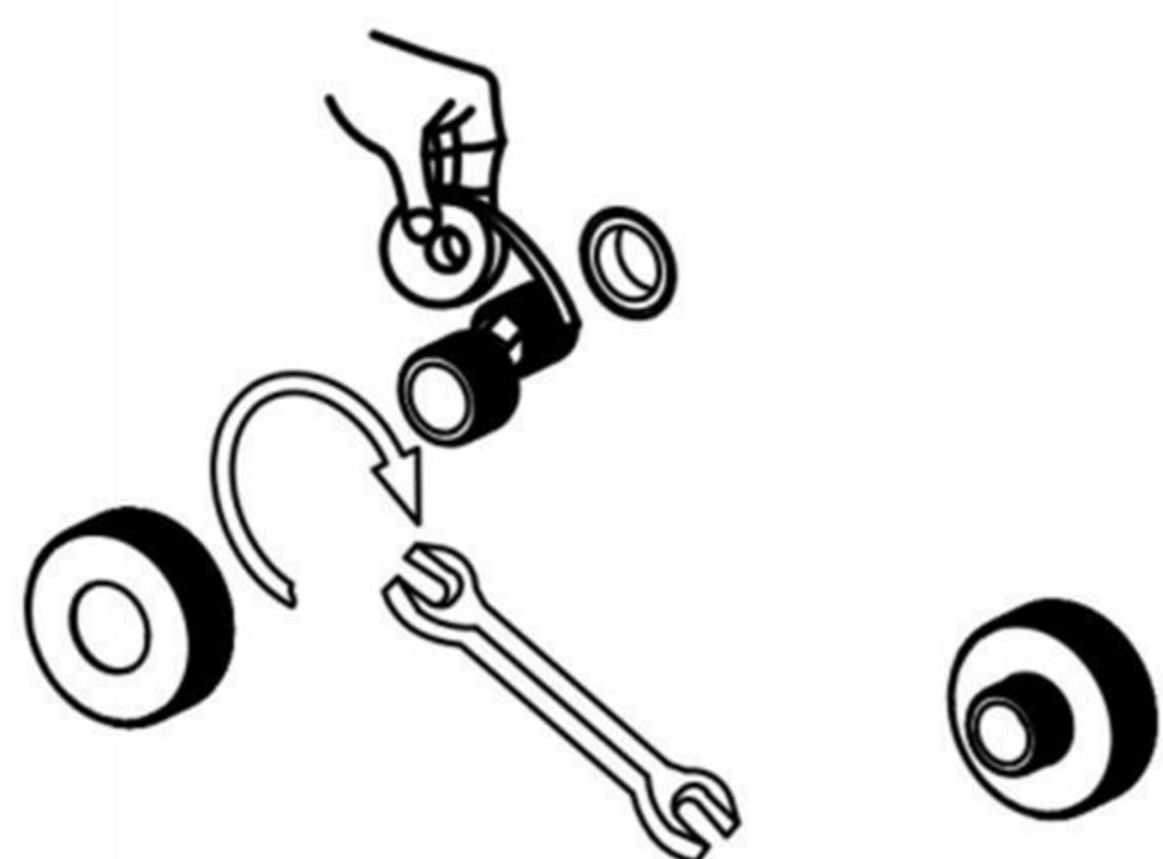
This product has been inspected and debugged by the factory to the best condition. Please do not disassemble and assemble it yourself.



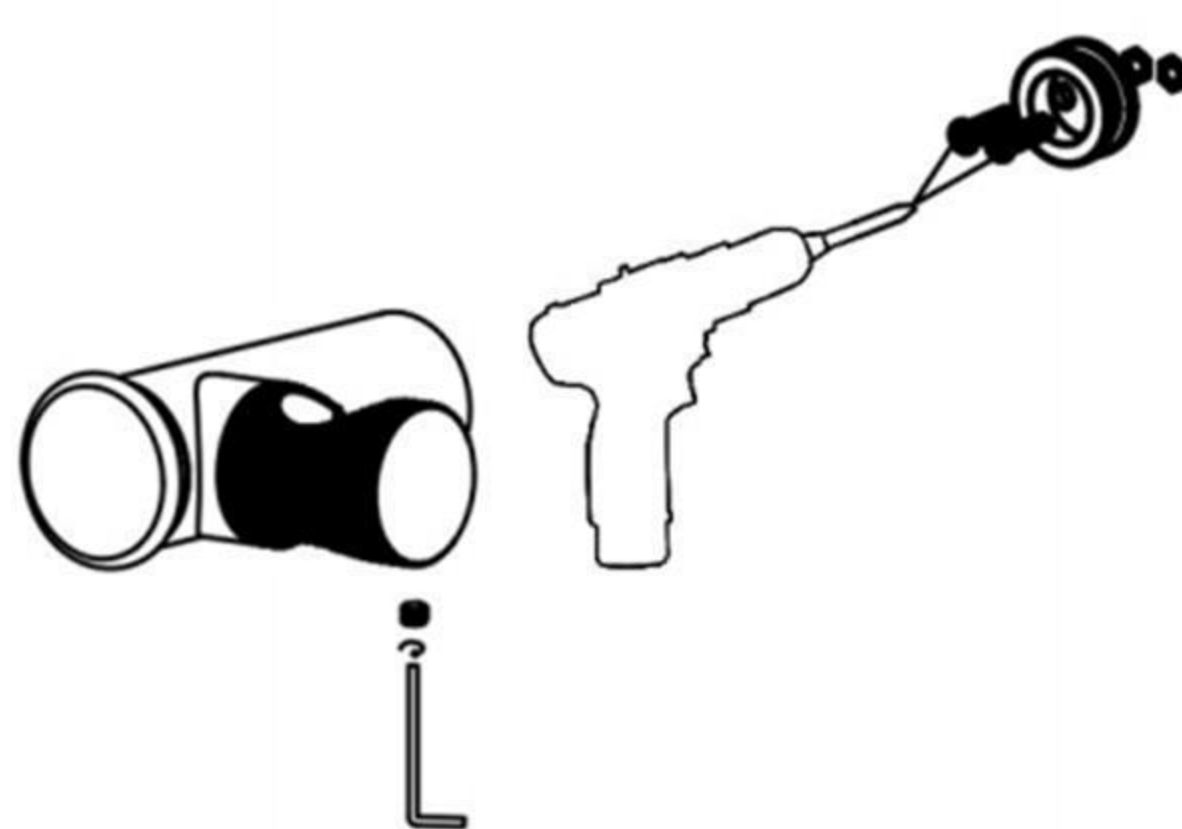
Before installing the product, please be sure to remove sundries and sludge from the water pipe to prevent sundries from blocking the product.



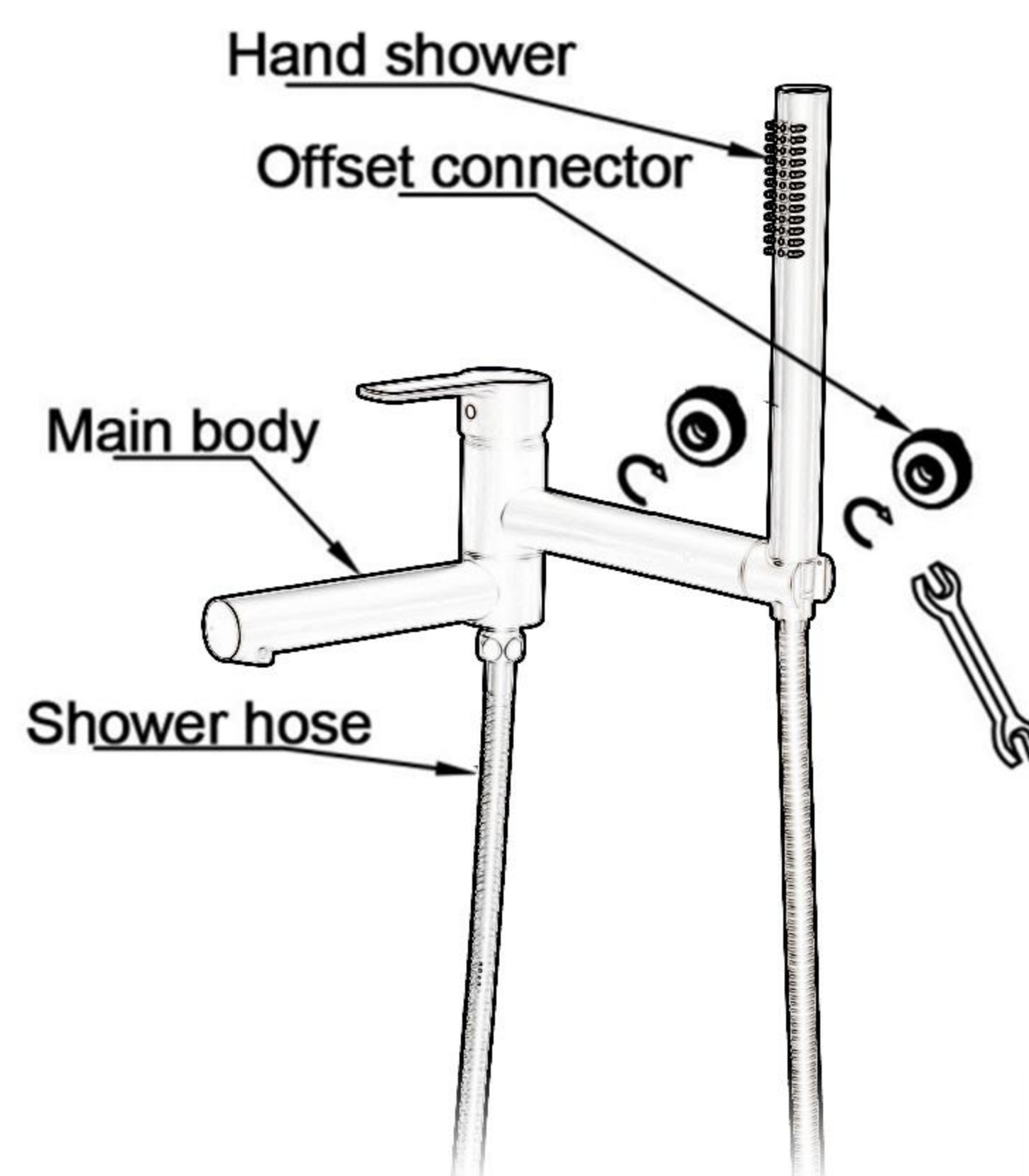
1. Use an appropriate amount of PTFE tape to wrap on the thread, screw it in the direction of the water outlet pipe to be installed, and then cover the decorative cup to continue to the next step.



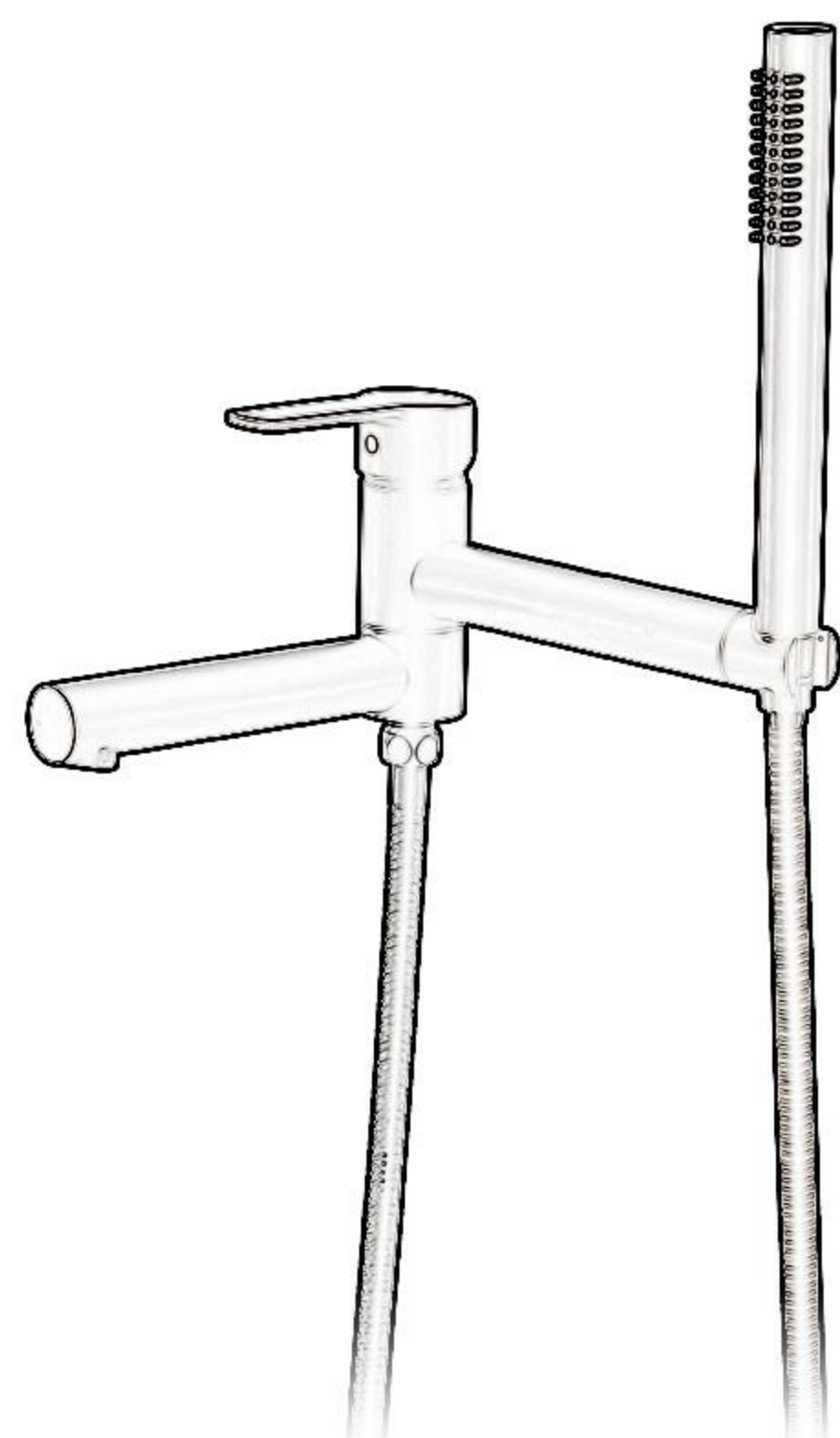
2. Install the appropriate size of the shower bracket and drill the wall hole to complete the installation by installing the shower bracket locking screws in sequence as shown in the above figure.



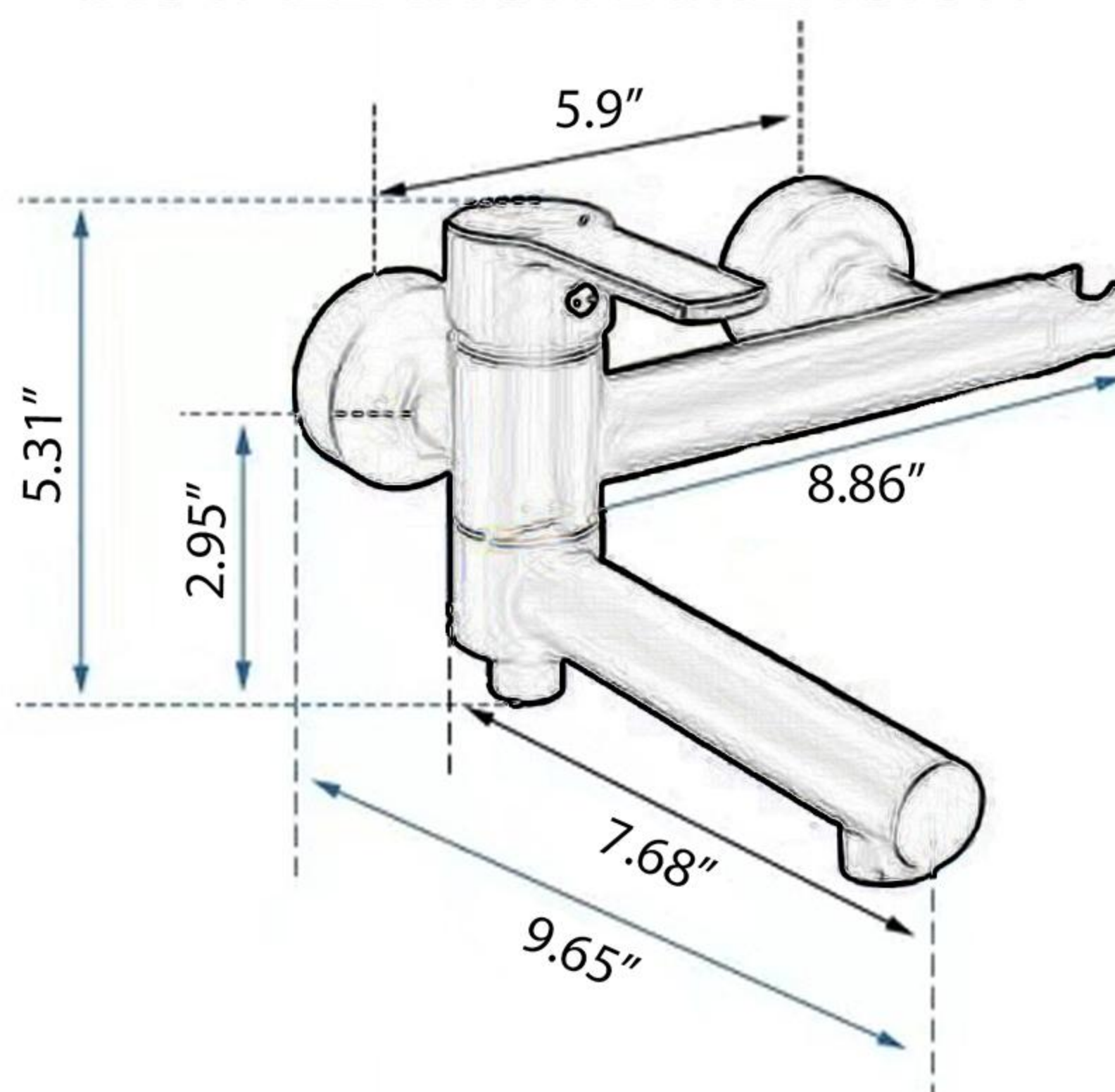
3. Use a wrench to install the main assembly and tighten the water level nuts on both sides in the opposite direction (as shown in the picture).



4. Install the shower hose and hand shower to complete the installation before use.



## INSTALLATION DIMENSION



## CLEANING CARE

In order to keep the appearance of product clean, bright and good performance, please take care of the product as follows;

1. Rinse with water only and dry with soft cotton cloth;
2. Use mild liquid and colorless glass cleaner to remove surface dirt and scale film, or use polish without abrasive effect;
3. Do not use abrasive detergent, polish, emery cloth, paper towel or scraper, etc;
4. Do not use acid cleaner, or cleaner and soap with insoluble gran etc;
5. In the process of use, mud may accumulate in the bubbler and make the water flow slow, The bubbler can be unscrewed, rinsed with water, and then installed back in place.



Please feel free to contact us if you have any questions. We will help to solve the issue together with you. OUR EMAIL: [services@rbrohant.com](mailto:services@rbrohant.com)